

# **Artisan<sup>®</sup> 1430 User's Guide**



---

# Contents

<b>Artisan 1430 User's Guide .....</b>	<b>9</b>
<b>Product Basics .....</b>	<b>10</b>
Printer Parts Locations .....	10
Printer Parts - Top .....	10
Printer Parts - Back.....	11
Printer Parts - Inside .....	12
Printer Parts - Control Panel Buttons and Lights .....	13
The Power Off Timer .....	13
Changing the Power Off Timer Setting - Windows.....	14
Changing the Power Off Timer Setting - Mac OS X.....	14
<b>Loading Paper .....</b>	<b>16</b>
Loading Paper .....	16
Loading Envelopes .....	19
Paper Loading Capacity .....	21
Available EPSON Papers.....	22
Borderless Paper Type Compatibility .....	25
Paper or Media Type Settings .....	26
<b>Printing From a Computer .....</b>	<b>28</b>
Printing with Windows .....	28
Selecting Basic Print Settings - Windows .....	28
Basic Print Options - Windows.....	30
Selecting Advanced Print Settings - Windows .....	31
Advanced Print Quality Settings - Windows.....	33
Advanced Print Options - Windows.....	33
Color Management Options - Windows .....	34
Selecting Print Layout Options - Windows.....	34
Selecting a Printing Preset - Windows.....	36
Printing Your Document or Photo - Windows .....	37
Checking Print Status - Windows.....	38
Selecting Default Print Settings - Windows.....	39

Changing the Language of the Printer Software Screens .....	40
Changing Automatic Update Options .....	42
Printing with Mac OS X 10.5, 10.6, or 10.7.....	43
Selecting Basic Print Settings - Mac OS X 10.5/10.6/10.7.....	43
Print Quality Settings - Mac OS X 10.5/10.6/10.7 .....	47
Print Options - Mac OS X 10.5/10.6/10.7 .....	47
Selecting Page Setup Settings - Mac OS X 10.5/10.6/10.7 .....	47
Selecting Print Layout Options - Mac OS X 10.5/10.6/10.7 .....	48
Managing Color - Mac OS X 10.5/10.6/10.7 .....	49
Color Matching and Color Options - Mac OS X 10.5/10.6/10.7 .....	50
Selecting Printing Preferences - Mac OS X 10.5/10.6/10.7 .....	51
Printing Preferences - Mac OS X 10.5/10.6/10.7 .....	52
Printing Your Document or Photo - Mac OS X 10.5/10.6/10.7 .....	52
Checking Print Status - Mac OS X 10.5/10.6/10.7 .....	53
Printing with Mac OS X 10.4.....	54
Selecting Page Setup Settings - Mac OS X 10.4 .....	55
Selecting Basic Print Settings - Mac OS X 10.4.....	56
Print Quality Settings - Mac OS X 10.4 .....	58
Print Options - Mac OS X 10.4 .....	58
Selecting Print Layout Options - Mac OS X 10.4 .....	59
Managing Color - Mac OS X 10.4 .....	59
Color Options - Mac OS X 10.4 .....	60
Selecting Printing Preferences - Mac OS X 10.4 .....	60
Printing Preferences - Mac OS X 10.4 .....	61
Printing Your Document or Photo - Mac OS X 10.4.....	61
Checking Print Status - Mac OS X 10.4 .....	62
Cancelling Printing Using a Product Button.....	63
<b>Using an External Device with Your Product .....</b>	<b>64</b>
Wireless Printing from a Mobile Device .....	64
Printing From a Camera Connected to Your Product .....	64
<b>Printing on CDs/DVDs.....</b>	<b>66</b>
Loading a CD/DVD .....	66
Removing a Printed CD/DVD .....	70

Printing on CDs/DVDs from a Computer .....	70
Printing on a CD/DVD with Windows .....	70
Designing a CD/DVD - Windows.....	71
Printing Your CD/DVD Design - Windows.....	71
Adjusting CD/DVD Print Position - Windows.....	72
Adjusting CD/DVD Print Quality - Windows .....	74
Printing on a CD/DVD with Mac OS X .....	76
Designing a CD/DVD - Mac OS X .....	76
Printing Your CD/DVD Design - Mac OS X.....	77
Adjusting CD/DVD Print Position - Mac OS X.....	78
Adjusting CD/DVD Print Quality - Mac OS X.....	80
<b>Replacing Ink Cartridges .....</b>	<b>82</b>
Check Cartridge Status .....	82
Checking Cartridge Status Lights .....	82
Checking Cartridge Status with Windows.....	82
Checking Cartridge Status with Mac OS X .....	85
Purchase EPSON Ink Cartridges .....	86
Ink Cartridge Part Numbers.....	86
Removing and Installing Ink Cartridges.....	87
<b>Adjusting Print Quality.....</b>	<b>93</b>
Print Head Maintenance.....	93
Print Head Nozzle Check.....	93
Checking the Nozzles Using the Product Buttons.....	93
Checking the Nozzles Using a Computer Utility.....	95
Print Head Cleaning .....	98
Cleaning the Print Head Using the Product Buttons.....	98
Cleaning the Print Head Using a Computer Utility.....	100
Print Head Alignment .....	102
Aligning the Print Head Using a Computer Utility.....	103
Cleaning the Paper Path .....	105
<b>Cleaning and Transporting the Product .....</b>	<b>107</b>
Cleaning the Product.....	107
Transporting the Product.....	107

<b>Solving Problems</b> .....	<b>110</b>
Checking for Software Updates.....	110
Printer Light Status.....	110
Running a Printer Check .....	113
Solving Setup Problems .....	114
Noise After Ink Installation.....	114
Software Installation Problems .....	115
Solving Network Problems .....	115
Product Cannot Connect to a Wireless Router or Access Point .....	115
Network Software Cannot Find Product on a Network.....	116
Product Does Not Appear in Mac OS X Printer Window.....	116
Cannot Print Over a Network.....	117
Printing a Network Status Sheet.....	117
Solving Paper Problems.....	117
Paper Feeding Problems.....	118
Paper Jam Problems .....	118
Paper Ejection Problems .....	119
Solving Problems Printing from a Computer .....	119
Nothing Prints .....	120
Noise Occurs, But Nothing Prints .....	120
Noise When Product Sits for a While.....	121
Product Icon Does Not Appear in Windows Taskbar .....	121
Error After Cartridge Replacement .....	121
Printing is Slow .....	122
Solving Page Layout and Content Problems.....	123
Inverted Image .....	123
Too Many Copies Print .....	123
Blank Pages Print .....	124
Incorrect Margins on Printout.....	124
Incorrect Characters Print.....	125
Incorrect Image Size or Position.....	125
Slanted Printout .....	126
Solving Print Quality Problems.....	126

White or Dark Lines in Printout .....	127
Blurry or Smearred Printout .....	127
Faint Printout or Printout Has Gaps .....	129
Grainy Printout.....	129
Incorrect Colors .....	130
When to Uninstall Your Product Software .....	131
Uninstalling Printing Software - Windows .....	131
Uninstalling Product Software - Mac OS X .....	131
Where to Get Help.....	132
<b>Technical Specifications .....</b>	<b>134</b>
Windows System Requirements .....	134
Mac System Requirements .....	135
Printing Specifications .....	135
Paper Specifications .....	135
Printable Area Specifications .....	137
Ink Cartridge Specifications.....	140
Dimension Specifications .....	140
Electrical Specifications .....	141
Environmental Specifications .....	141
Interface Specifications .....	142
Network Interface Specifications .....	142
Safety and Approvals Specifications .....	142
<b>Notices .....</b>	<b>144</b>
FCC Compliance Statement.....	144
Software Notices .....	145
Trademarks .....	149
Copyright Notice.....	150
A Note Concerning Responsible Use of Copyrighted Materials.....	151
Default Delay Times for Power Management for EPSON Products .....	151
Copyright Attribution .....	151





---

# Artisan 1430 User's Guide

Welcome to the Artisan 1430 *User's Guide*.

---

# Product Basics

See these sections to learn about the basic features of your product.

[Printer Parts Locations](#)

[The Power Off Timer](#)

## Printer Parts Locations

See these sections to identify the parts on your printer.

[Printer Parts - Top](#)

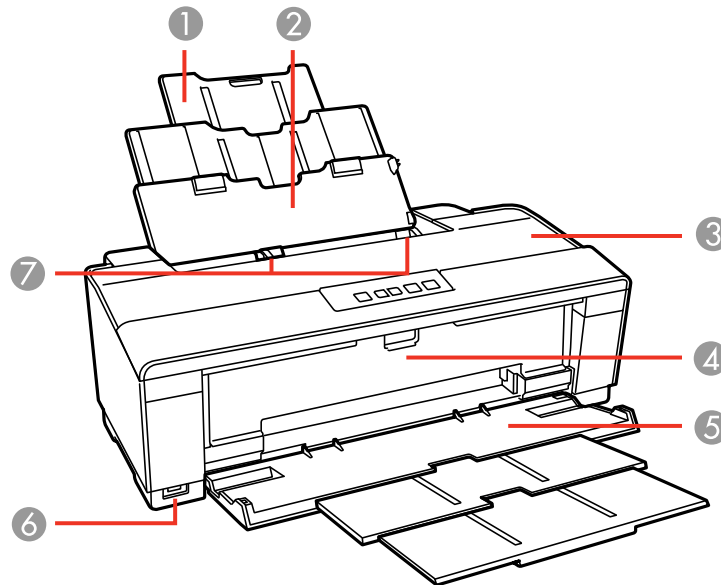
[Printer Parts - Back](#)

[Printer Parts - Inside](#)

[Printer Parts - Control Panel Buttons and Lights](#)

**Parent topic:** [Product Basics](#)

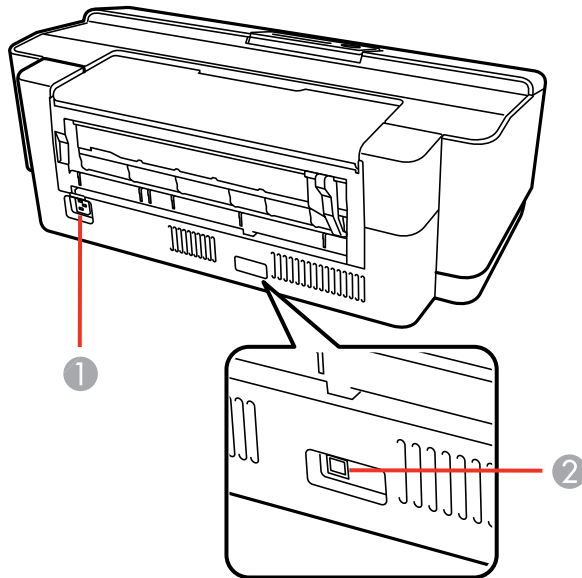
### Printer Parts - Top



- 1 Paper support
- 2 Sheet feeder
- 3 Printer cover
- 4 CD/DVD feed tray
- 5 Output tray
- 6 USB Type A port for external devices
- 7 Edge guides

Parent topic: [Printer Parts Locations](#)

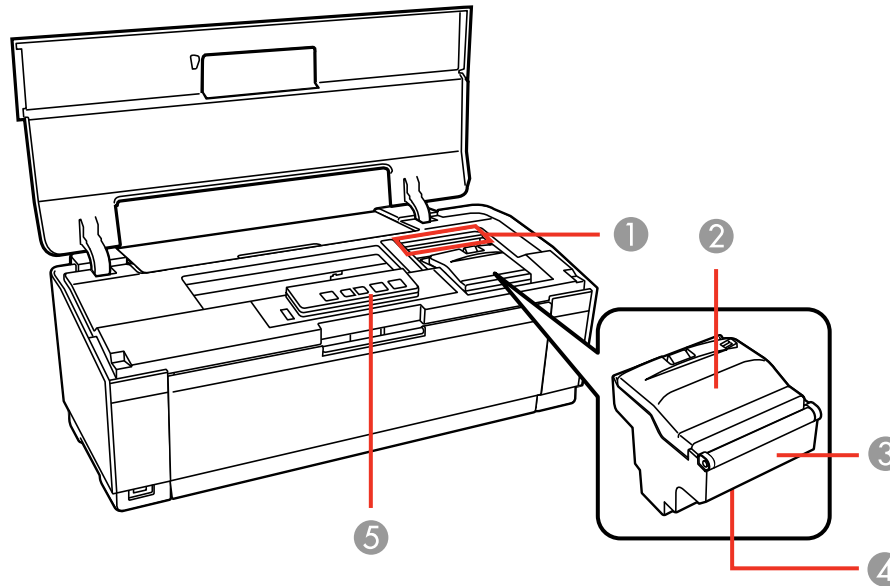
## Printer Parts - Back



- 1 AC inlet
- 2 **USB** port for computer connection

Parent topic: [Printer Parts Locations](#)

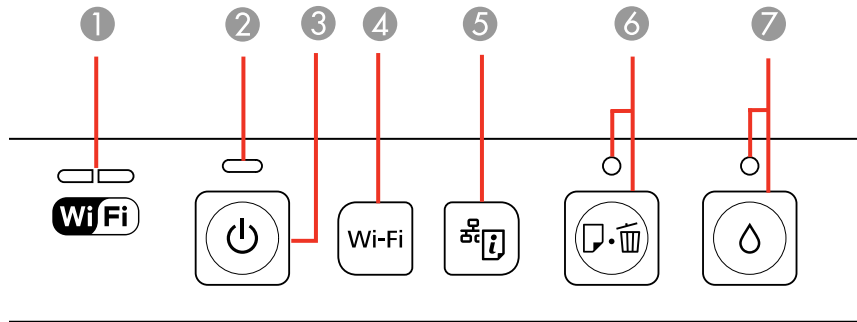
## Printer Parts - Inside



- 1 Ink cartridge lights
- 2 Ink cartridge cover
- 3 Ink cartridge holder (do not remove)
- 4 Print head
- 5 Control panel

Parent topic: [Printer Parts Locations](#)

## Printer Parts - Control Panel Buttons and Lights



- 1 The WiFi light
- 2 The ⏻ power light
- 3 The ⏻ power button
- 4 The **Wi-Fi** button
- 5 The 📶 network status button
- 6 The 🗑️ paper/cancel button and light
- 7 The 💧 ink button and light

**Parent topic:** [Printer Parts Locations](#)

**Related references**

[Printer Light Status](#)

## The Power Off Timer

The product turns off automatically if it is not used for a period of time after it enters sleep mode. You can adjust the time period before power off, but increasing the time reduces the product's energy efficiency.

[Changing the Power Off Timer Setting - Windows](#)

[Changing the Power Off Timer Setting - Mac OS X](#)

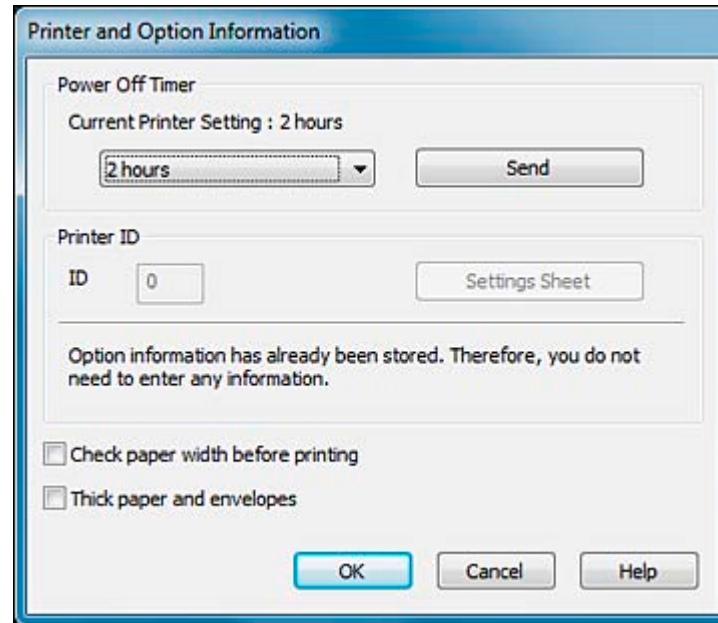
**Parent topic:** [Product Basics](#)

## Changing the Power Off Timer Setting - Windows

You can use the printer software to change the time period before the product turns off automatically.

1. Right-click the product icon in the Windows taskbar and select **Printer Settings**.
2. Click the **Maintenance** tab.
3. Click the **Printer and Option Information** button.

You see this screen:



4. Select the time period you want as the **Power Off Timer** setting.
5. Click **Send**.
6. Click **OK** to exit.

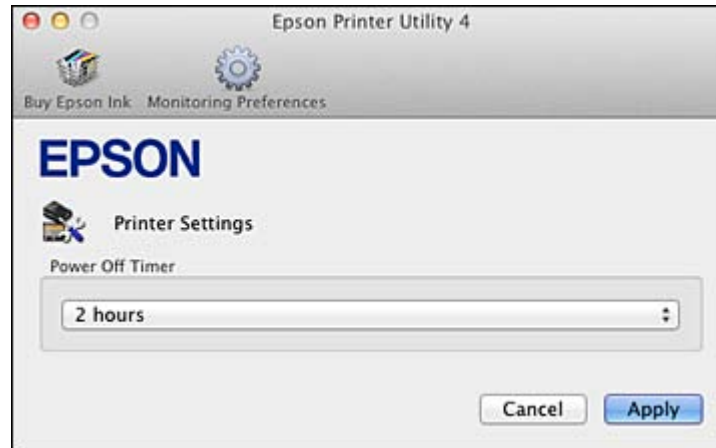
**Parent topic:** [The Power Off Timer](#)

## Changing the Power Off Timer Setting - Mac OS X

You can use the printer software to change the time period before the product turns off automatically.

1. Do one of the following:
  - **Mac OS X 10.6/10.7:** In the Apple menu or the Dock, select **System Preferences**. Select **Print & Fax** or **Print & Scan**, select your product, and select **Options & Supplies**. Select **Utility** and select **Open Printer Utility**.
  - **Mac OS X 10.4/10.5:** In the Apple menu or the Dock, select **System Preferences**. Select **Print & Fax**, select your product, and select **Open Print Queue** or **Print Queue**. Select **Utility**.
2. Select **Printer Settings**.

You see this screen:



3. Select the time period you want as the **Power Off Timer** setting.
4. Click **Apply**.

**Parent topic:** [The Power Off Timer](#)

---

## Loading Paper

Before you print, load paper for the type of printing you will do.

[Loading Paper](#)

[Loading Envelopes](#)

[Paper Loading Capacity](#)

[Available EPSON Papers](#)

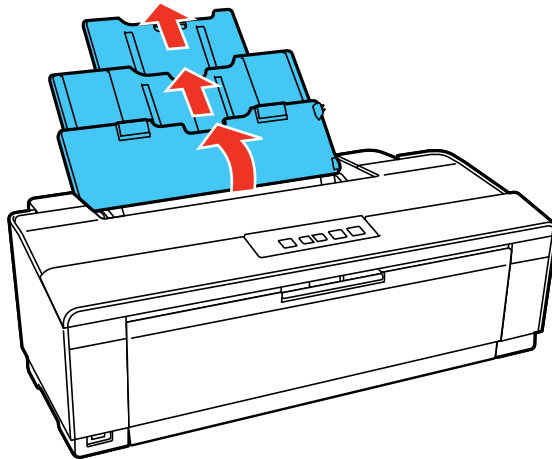
[Borderless Paper Type Compatibility](#)

[Paper or Media Type Settings](#)

## Loading Paper

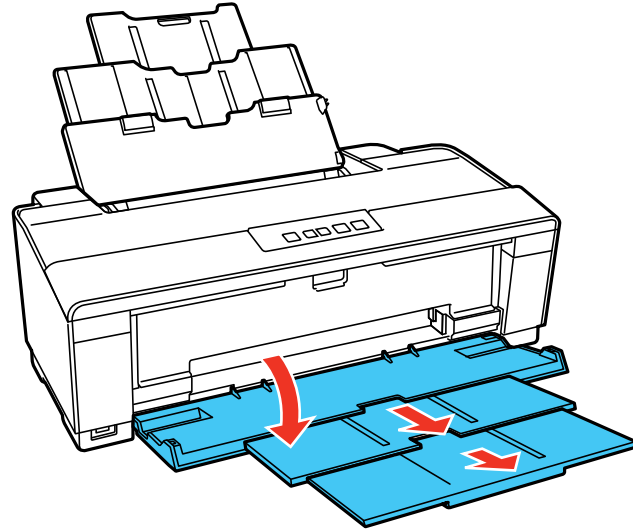
You can print on a variety of paper types and sizes.

1. Open the paper support and pull up the extensions.

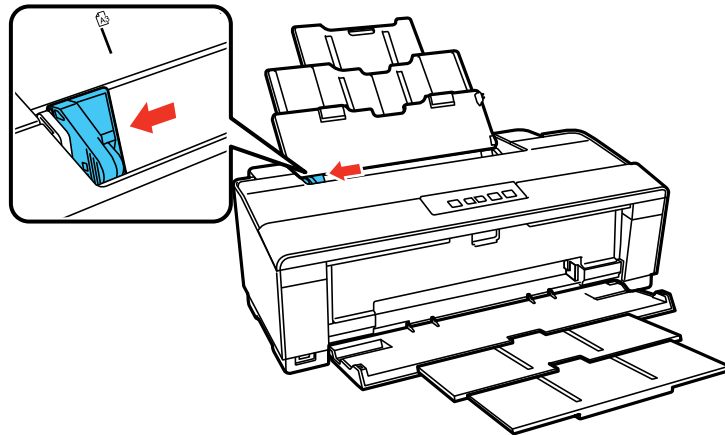




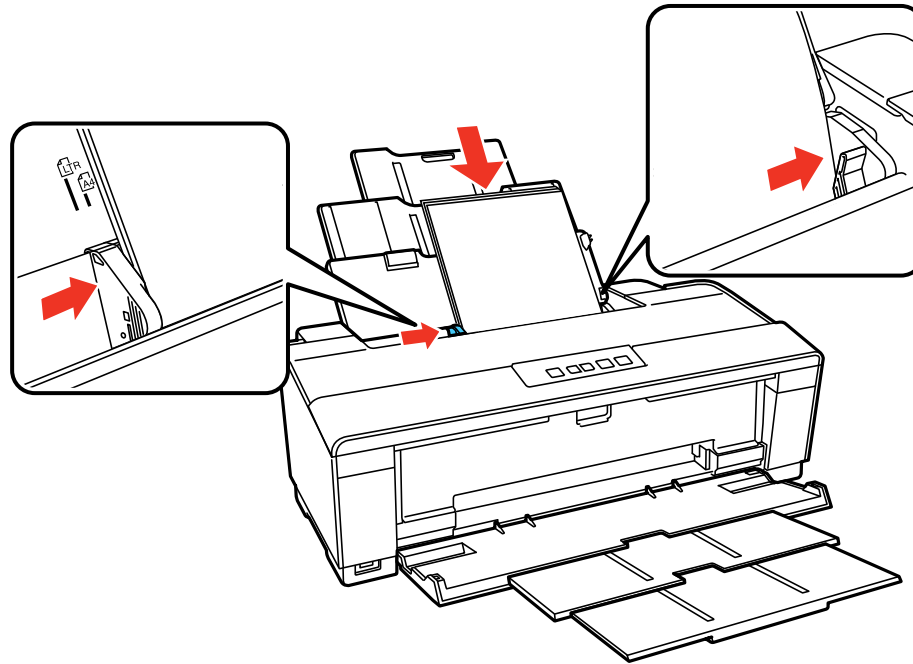
2. Open the output tray and pull out the extensions.



3. Slide the edge guide left.



4. Insert paper, glossy or printable side up and short edge first, against the right side and behind the tab. Then, slide the edge guide against the paper, but not too tightly. If you are inserting a stack of paper, fan the sheets first and tap the stack on a flat surface to even the edges.



**Note:** During printing the left edge guide automatically moves 0.12 inch (3 mm) to the left. Do not move it back manually.

Always follow these paper loading guidelines:

- Load only the recommended number of sheets.
- Load paper short edge first, no matter which way your document or photo faces.
- Load letterhead or pre-printed paper top edge first.
- Do not load paper past the arrow mark inside the edge guide.
- Do not load paper with holes punched in it.
- Check the paper package for any additional loading instructions.

Parent topic: [Loading Paper](#)

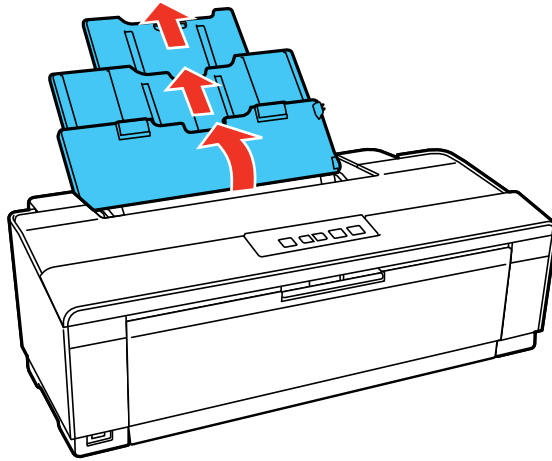
Related references

[Paper Loading Capacity](#)

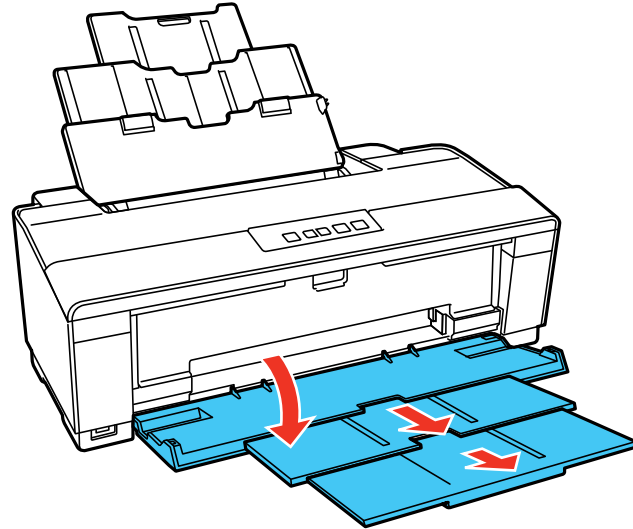
## Loading Envelopes

You can print on plain paper envelopes in this size: No. 10 (4.1 × 9.5 inches [105 × 241 mm]).

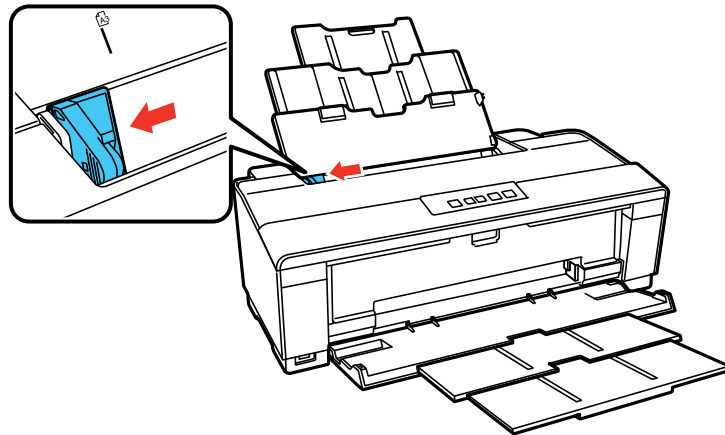
1. Open the paper support and pull up the extensions.



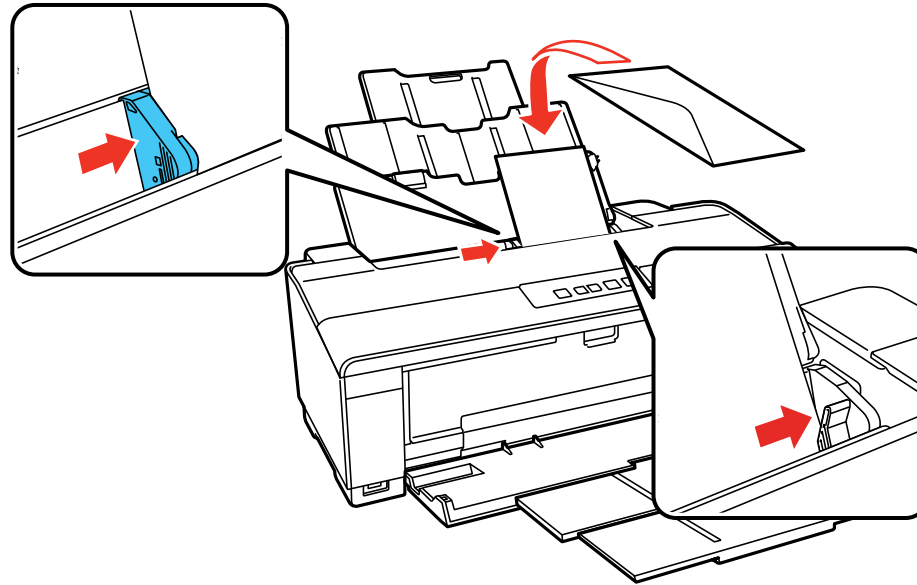
2. Open the output tray and pull out the extensions.



3. Slide the edge guide left.



4. Load up to 10 envelopes against the right side, printable side up, and flap edge left. Then, slide the edge guide against the envelopes, but not too tightly.



Always follow these envelope loading guidelines:

- If you have trouble loading a stack of envelopes, press each envelope flat before loading it or load one envelope at a time.
- Do not load envelopes that are curled, folded, or too thin.

**Parent topic:** [Loading Paper](#)

**Related references**

[Paper Loading Capacity](#)

## Paper Loading Capacity

Paper type	Load up to this many sheets
Plain paper* Letter (8.5 × 11 inches [216 × 279 mm])	Approximately 100 sheets**

Paper type	Load up to this many sheets
EPSON Bright White Paper	80 sheets
EPSON Presentation Paper Matte	A3 or larger sizes: 50 sheets Smaller sizes: 100 sheets
EPSON Ultra Premium Photo Paper Glossy	20 sheets
EPSON Photo Paper Glossy EPSON Premium Photo Paper Glossy EPSON Premium Photo Paper Semi-gloss EPSON Premium Presentation Paper Matte EPSON Ultra Premium Presentation Paper Matte EPSON Ultra Premium Photo Paper Luster	A3 or larger sizes: 10 sheets Smaller sizes: 20 sheets
EPSON Premium Presentation Paper Matte Double-sided EPSON Brochure & Flyer Paper Matte Double-sided EPSON Photo Quality Self-adhesive Sheets EPSON Iron-on Cool Peel Transfer paper	1 sheet

\* Based on 20 lb (75 g/m<sup>2</sup>) paper weight. Do not load paper above the arrow mark inside the edge guide.

\*\* For two-sided printing, load up to 80 sheets.

Parent topic: [Loading Paper](#)

## Available EPSON Papers

You can purchase genuine EPSON ink and paper at EPSON Supplies Central at [www.epson.com/ink3](http://www.epson.com/ink3) (U.S. sales) or [www.epson.ca](http://www.epson.ca) (Canadian sales). You can also purchase supplies from an EPSON authorized reseller. To find the nearest one, call 800-GO-EPSON (800-463-7766).

Paper Type	Size	Part number	Sheet count
EPSON Bright White Paper	Letter (8.5 × 11 inches [216 × 279 mm])	S041586	500

<b>Paper Type</b>	<b>Size</b>	<b>Part number</b>	<b>Sheet count</b>
EPSON Photo Paper Glossy	4 × 6 inches (102 × 152 mm)	S041809	50
		S042038	100
	Letter (8.5 × 11 inches [216 × 279 mm])	S041141	20
		S041649	50
		S041271	100
11 × 17 inches (279 × 432 mm)	S041156	20	
13 × 19 inches (330 × 483 mm)	S041143	20	
EPSON Premium Photo Paper Glossy	4 × 6 inches (102 × 152 mm)	S041808	40
		S041727	100
	5 × 7 inches (127 × 178 mm)	S041464	20
	8 × 10 inches (203 × 254 mm)	S041465	20
	Letter (8.5 × 11 inches [216 × 279 mm])	S042183	25
		S041667	50
	11 × 14 inches (279 × 356 mm)	S041466	20
	11 × 17 inches (279 × 432 mm)	S041290	20
11.7 × 16.5 inches (297 × 420 mm)	S041288	20	
13 × 19 inches (330 × 483 mm)	S041289	20	

<b>Paper Type</b>	<b>Size</b>	<b>Part number</b>	<b>Sheet count</b>
EPSON Ultra Premium Photo Paper Glossy	4 x 6 inches (102 x 152 mm)	S042181	60
		S042174	100
	5 x 7 inches (127 x 178 mm)	S041945	20
	8 x 10 inches (203 x 254 mm)	S041946	20
EPSON Ultra Premium Photo Paper Luster	Letter (8.5 x 11 inches [216 x 279 mm])	S042182	25
		S042175	50
	Letter (8.5 x 11 inches [216 x 279 mm])	S041405	50
	11.7 x 16.5 inches (297 x 420 mm)	S041406	50
EPSON Premium Photo Paper Semi-gloss	13 x 19 inches (330 x 483 mm)	S041407	50
	4 x 6 inches (102 x 152 mm)	S041982	40
	Letter (8.5 x 11 inches [216 x 279 mm])	S041331	20
EPSON Presentation Paper Matte	13 x 19 inches (330 x 483 mm)	S041327	20
	Letter (8.5 x 11 inches [216 x 279 mm])	S041062	100
	Legal (8.5 x 14 inches [216 x 357 mm])	S041067	100
	11 x 17 inches (279 x 432 mm)	S041069	100
	13 x 19 inches (330 x 483 mm)	S041070	100



Paper Type	Size	Part number	Sheet count
EPSON Premium Presentation Paper Matte	8 × 10 inches (203 × 254 mm)	S041467	50
	Letter (8.5 × 11 inches [216 × 279 mm])	S041257	50
		S042180	100
	11 × 14 inches (279 × 356 mm)	S041468	50
	11.7 × 16.5 inches (297 × 420 mm)	S041260	50
	13 × 19 inches (330 × 483 mm)	S041263	50
EPSON Premium Presentation Paper Matte Double-sided	Letter (8.5 × 11 inches [216 × 279 mm])	S041568	50
EPSON Ultra Premium Presentation Paper Matte	Letter (8.5 × 11 inches [216 × 279 mm])	S041341	50
	11.7 × 16.5 inches (297 × 420 mm)	S041339	50
	13 × 19 inches (330 × 483 mm)	S041343	50
EPSON Brochure & Flyer Paper Matte Double-sided	Letter (8.5 × 11 inches [216 × 279 mm])	S042384	150
EPSON Photo Quality Self-adhesive Sheets	A4 (8.3 × 11.7 inches [210 × 297 mm])	S041106	10
EPSON Iron-on Cool Peel Transfer paper	Letter (8.5 × 11 inches [216 × 279 mm])	S041153	10

Parent topic: [Loading Paper](#)

## Borderless Paper Type Compatibility

You can print borderless photos on compatible paper types in compatible sizes:

### Borderless Paper Types

- EPSON Photo Paper Glossy

- EPSON Premium Photo Paper Glossy
- EPSON Ultra Premium Photo Paper Glossy
- EPSON Premium Photo Paper Semi-gloss
- EPSON Ultra Premium Photo Paper Luster
- EPSON Premium Presentation Paper Matte
- EPSON Ultra Premium Presentation Paper Matte

**Borderless Paper Sizes**

- 4 x 6 inches (102 x 152 mm)
- 5 x 7 inches (127 x 178 mm)
- 8 x 10 inches (203 x 254 mm)
- 11 x 14 inches (279 x 356 mm)
- 11 x 17 inches (279 x 432 mm)
- 11.7 x 16.5 inches (297 x 420 mm)
- 12 x 12 inches (305 x 305 mm)
- 13 x 19 inches (330 x 483 mm)

Parent topic: [Loading Paper](#)

**Paper or Media Type Settings**

For this paper	Select this paper Type or Media Type setting
Plain paper EPSON Bright White Paper EPSON Iron-on Cool Peel Transfer paper EPSON Photo Quality Self-adhesive Sheets	Plain Paper/Bright White Paper
EPSON Photo Paper Glossy	Photo Paper Glossy
EPSON Premium Photo Paper Glossy	Premium Photo Paper Glossy
EPSON Ultra Premium Photo Paper Glossy	Ultra Premium Photo Paper Glossy
EPSON Premium Photo Paper Semi-gloss	Premium Photo Paper Semi-Gloss

<b>For this paper</b>	<b>Select this paper Type or Media Type setting</b>
EPSON Ultra Premium Photo Paper Luster	Ultra Premium Photo Paper Luster
EPSON Presentation Paper Matte	Presentation Paper Matte
EPSON Premium Presentation Paper Matte EPSON Premium Presentation Paper Matte Double-sided EPSON Brochure & Flyer Paper Matte Double- sided	Premium Presentation Paper Matte
EPSON Ultra Premium Presentation Paper Matte	Ultra Premium Presentation Matte
Envelopes	Envelope

**Parent topic:** [Loading Paper](#)

---

# Printing From a Computer

Before printing documents or photos from your computer, make sure you have set up your product and installed its software as described on the *Start Here* sheet.

**Note:** It is a good idea to check for updates to your product software on Epson's support website.

[Printing with Windows](#)

[Printing with Mac OS X 10.5, 10.6, or 10.7](#)

[Printing with Mac OS X 10.4](#)

[Cancelling Printing Using a Product Button](#)

## Printing with Windows

You can print with your product using any Windows printing program, as described in these sections.

[Selecting Basic Print Settings - Windows](#)

[Selecting Advanced Print Settings - Windows](#)

[Selecting Print Layout Options - Windows](#)

[Selecting a Printing Preset - Windows](#)

[Printing Your Document or Photo - Windows](#)

[Selecting Default Print Settings - Windows](#)

[Changing Automatic Update Options](#)

**Parent topic:** [Printing From a Computer](#)

## Selecting Basic Print Settings - Windows

Select the basic settings for the document or photo you want to print.

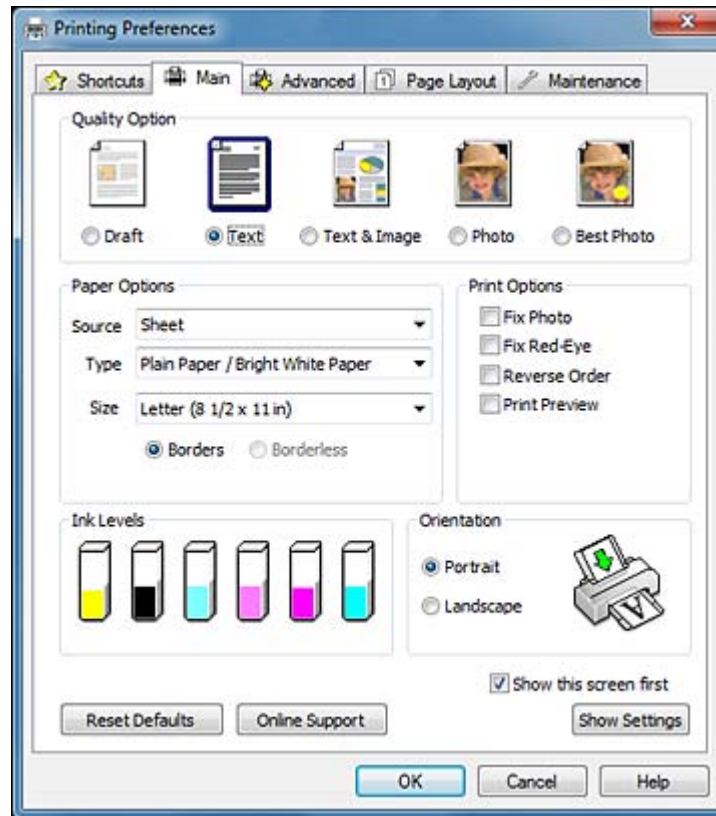
1. Open a photo or document for printing.
2. Select the print command in your application.

**Note:** You may need to select a print icon on your screen, the **Print** option in the File menu, or another command. See your application's help utility for details.

3. If necessary, select your product name as the printer you want to use.

**Note:** You may also need to select **Properties** or **Preferences** to view your print settings.

You see the Main tab of your printer settings window:



4. If necessary, select **Sheet** for the **Source** setting.
5. Select the **Quality Option** setting that matches your print content and the print quality you want to use.

6. Select the type of paper you loaded as the **Type** setting.

**Note:** The setting may not exactly match the name of your paper. Check the paper type settings list for details.

7. Select the size of the paper you loaded as the **Size** setting.

**Note:** You can also select the **User Defined** setting to create a custom paper size.

8. Select one of the border options:

- If you are printing a borderless photo, select **Borderless**.

**Note:** You must select a compatible borderless paper type and size to print borderlessly. Check the borderless paper compatibility list for details.

- If you are printing a document or a photo with borders, select **Borders**.

9. Select the orientation of your document or photo as shown in the printer settings window.

**Note:** If you are printing an envelope, select **Landscape**.

10. Select any of the available print options.

**Note:** If you need to access the Epson product support website, click the **Online Support** button.

[Basic Print Options - Windows](#)

**Parent topic:** [Printing with Windows](#)

**Related references**

[Borderless Paper Type Compatibility](#)

[Paper or Media Type Settings](#)

**Related tasks**

[Printing Your Document or Photo - Windows](#)

**Basic Print Options - Windows**

You can select any of the basic print options to customize your print. Some options may be pre-selected or unavailable, depending on other settings you have chosen.

**Fix Photo**

Improves the color, contrast, and sharpness of flawed photos.

**Note:** Fix Photo uses a sophisticated face recognition technology to optimize photos that include faces. For this to work, both eyes and the nose must be visible in the subject's face. If your photo includes a face with an intentional color cast, such as a statue, you may want to turn off **Fix Photo** to retain the special color effects.

**Fix Red-Eye**

Reduces or removes red-eye in photos.

**Reverse Order**

Prints multi-page print jobs last page first.

**Print Preview**

Displays a preview of your printout before printing.

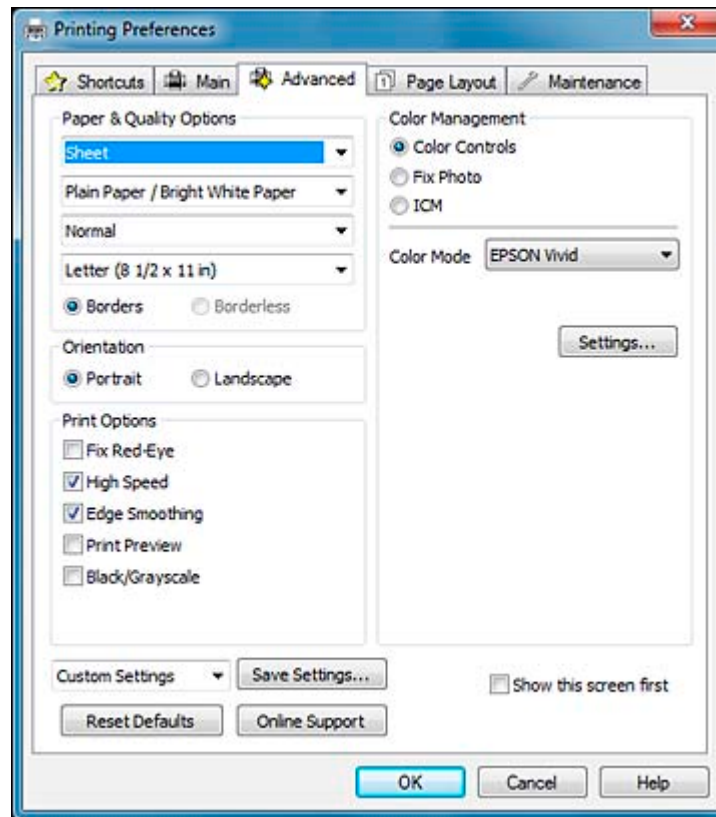
**Parent topic:** [Selecting Basic Print Settings - Windows](#)

## Selecting Advanced Print Settings - Windows

Select print settings on the Advanced tab to customize the quality and color settings for your printout, and save your own printing presets.

1. Click the **Advanced** tab.

You see the advanced print settings:



2. Select the **Paper & Quality Options** settings for your printout:

- Make sure **Sheet** is selected.
- Select the type of paper you loaded.

**Note:** Check the paper type settings list for details.

- Select the print quality setting you want to use.

**Note:** Check the print quality setting list for details.

- Select the size of the paper you loaded.



- Select **Borderless** to print a borderless photo, or **Borders** to print a document or a photo with borders.

**Note:** You must select a compatible borderless paper type and size to print borderlessly. Check the borderless paper compatibility list for details.

3. Select **Portrait** or **Landscape** as the orientation of your document or photo.

**Note:** If you are printing an envelope, select **Landscape**.

4. Select any of the available advanced print options.
5. Select any of the available color management options, or turn off color management.

[Advanced Print Quality Settings - Windows](#)

[Advanced Print Options - Windows](#)

[Color Management Options - Windows](#)

**Parent topic:** [Printing with Windows](#)

### **Advanced Print Quality Settings - Windows**

You can select any of the print quality settings to fine-tune the quality of your print. Some settings may be unavailable, depending on the paper type and border setting you have chosen.

#### **Economy**

For fast printing with reduced quality.

#### **Normal**

For everyday text and image printing.

#### **Fine**

For text and graphics with good quality and print speed.

#### **Photo**

For photos and graphics with good quality and print speed.

#### **Photo RPM**

For the best print quality, but the slowest print speed.

**Parent topic:** [Selecting Advanced Print Settings - Windows](#)

### **Advanced Print Options - Windows**

You can select any of the print options to customize your print. Some options may be unavailable, depending on other settings you have chosen.

**Fix Red-Eye**

Reduces or removes red-eye in photos.

**High Speed**

Speeds up printing, but may reduce print quality.

**Edge Smoothing**

Smooths jagged edges in low-resolution images such as screen captures or images from the Web.

**Print Preview**

Displays a preview of your printout before printing.

**Black/Grayscale**

Prints text and graphics in black or shades of gray.

**Parent topic:** [Selecting Advanced Print Settings - Windows](#)

**Color Management Options - Windows**

You can adjust the **Color Management** settings on the Advanced tab to fine-tune the colors in your printout, or turn off color management in your printer software.

**Color Controls**

Lets you select a **Color Mode** setting, individual settings for **Brightness**, **Contrast**, **Saturation**, and **Density**, and individual color tones. If you select the **Adobe RGB** color mode, you can also adjust the midtone density using the **Gamma** setting.

**Fix Photo**

Improves the color, contrast, and sharpness of flawed photos.

**Note:** Fix Photo uses a sophisticated face recognition technology to optimize photos that include faces. For this to work, both eyes and the nose must be visible in the subject's face. If your photo includes a face with an intentional color cast, such as a statue, you may want to turn off **Fix Photo** to retain the special color effects.

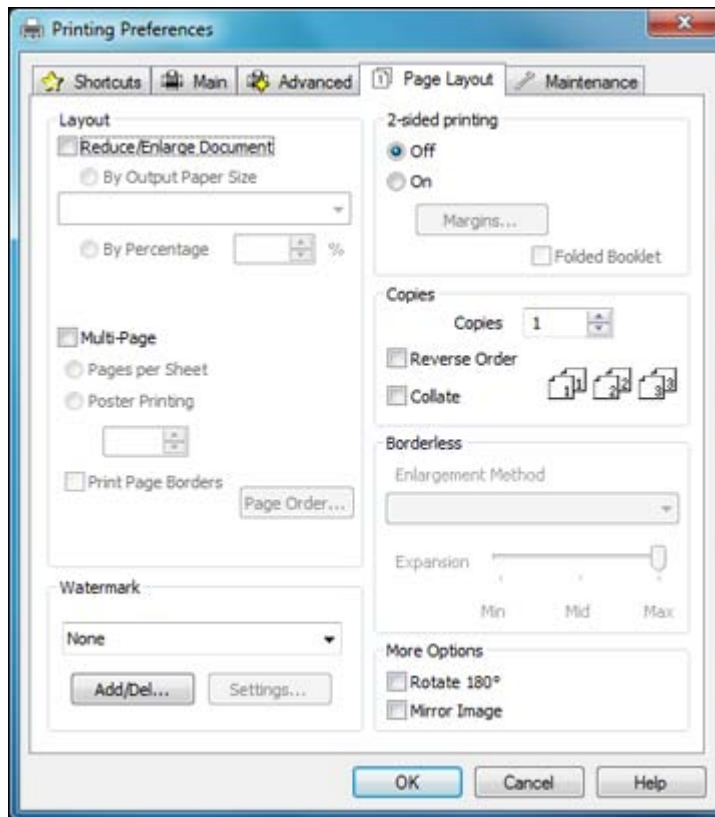
**ICM**

Lets you turn off color management in your printer software using the **Off (No Color Adjustment)** option. You can then manage color using only your application software.

**Parent topic:** [Selecting Advanced Print Settings - Windows](#)

**Selecting Print Layout Options - Windows**

You can select a variety of sizing and layout options for your document or photo on the Page Layout tab.



- To change the size of your printed document or photo, select the **Reduce/Enlarge Document** checkbox and select sizing options.
- To print on both sides of your paper, select the **2-sided printing** options.
- To print multiple pages on one sheet of paper, or print one image on multiple sheets of paper, select the **Multi-Page** checkbox and select the options you want.
- To print multiple copies and arrange their print order, select the **Copies** options.
- To control printing at the edges of borderless images, select a **Borderless** option:
  - To adjust the automatic settings, select **Auto Expand** as the Enlargement Method setting, then adjust the **Expansion** slider (if necessary) to control the amount of image expansion.

**Note:** If you select the **Min** option for the Expansion setting, you may see white borders on your printed photo.

- To print the borderless image at its actual size without scaling, select **Retain Size** as the Enlargement Method setting.
- To add a watermark to your printout, select **Watermark** settings.
- To rotate or flip the printed image, select the **Rotate 180°** or **Mirror Image** checkboxes.

**Parent topic:** [Printing with Windows](#)

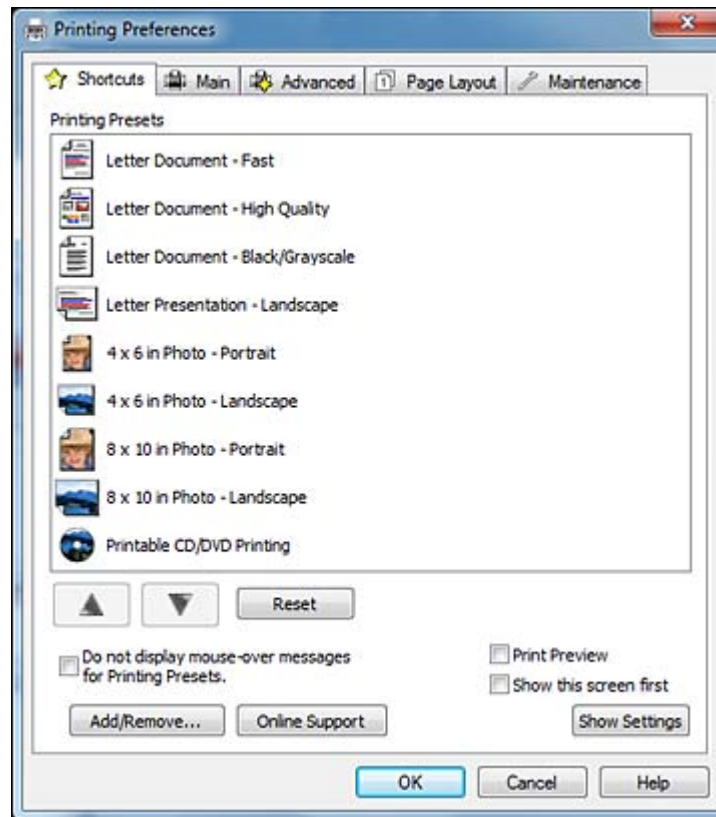
## Selecting a Printing Preset - Windows

For quick access to common groups of print settings, you can select a printing preset.

**Note:** You can create your own preset by clicking the **Save Settings** button on the Advanced tab.

1. Click the **Shortcuts** tab.

You see the available Printing Presets options:



2. Place your cursor over a Printing Presets option to view its list of settings.
3. Use any of the available options on the screen to control your printing presets.
4. To choose an option for printing, select it.
5. Click **OK**.

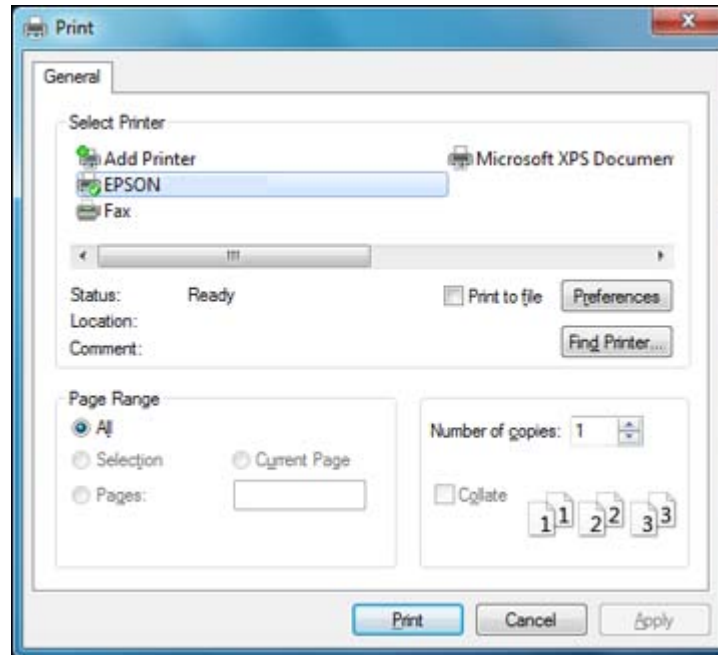
Parent topic: [Printing with Windows](#)

## Printing Your Document or Photo - Windows

Once you have selected your print settings, you are ready to save your settings and print.

1. Click **OK** to save your settings.

You see your application's Print window, such as this one:



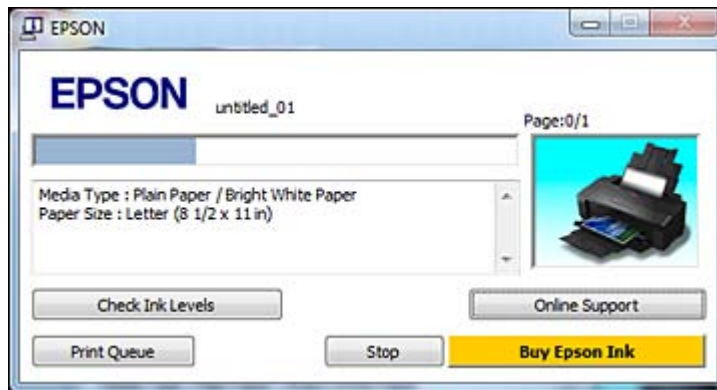
2. Click **OK** or **Print** to start printing.

[Checking Print Status - Windows](#)

**Parent topic:** [Printing with Windows](#)

### Checking Print Status - Windows

During printing, you see this window showing the progress of your print job. It allows you to control printing and check ink cartridge status.



- To cancel printing, click **Stop**.
- To see print jobs lined up for printing, click **Print Queue**.
- To check ink status, click **Check Ink Levels**.

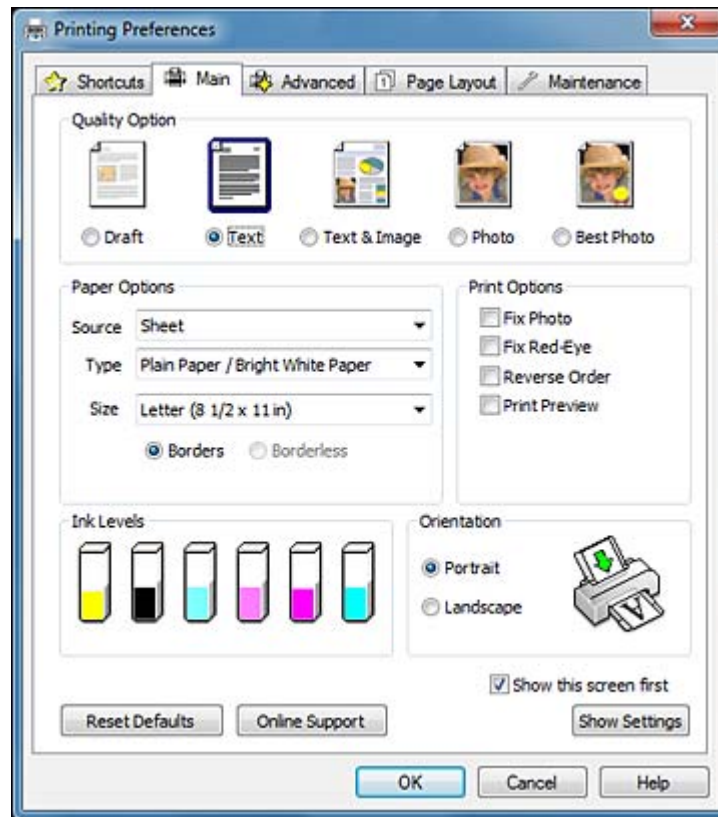
Parent topic: [Printing Your Document or Photo - Windows](#)

## Selecting Default Print Settings - Windows

When you change your print settings in a program, the changes apply only while you are printing in that program session. If you want to change the print settings you use in all your Windows programs, you can select new default print settings.

1. Right-click the product icon in the Windows taskbar.
2. Select **Printer Settings**.

You see the printer settings window:



3. Select the print settings you want to use as defaults in all your Windows programs.
4. Click **OK**.

These settings are now the defaults selected for printing. You can still change them as needed for printing in any program session.

#### [Changing the Language of the Printer Software Screens](#)

**Parent topic:** [Printing with Windows](#)

### **Changing the Language of the Printer Software Screens**

You can change the language used on the Windows printer software screens.

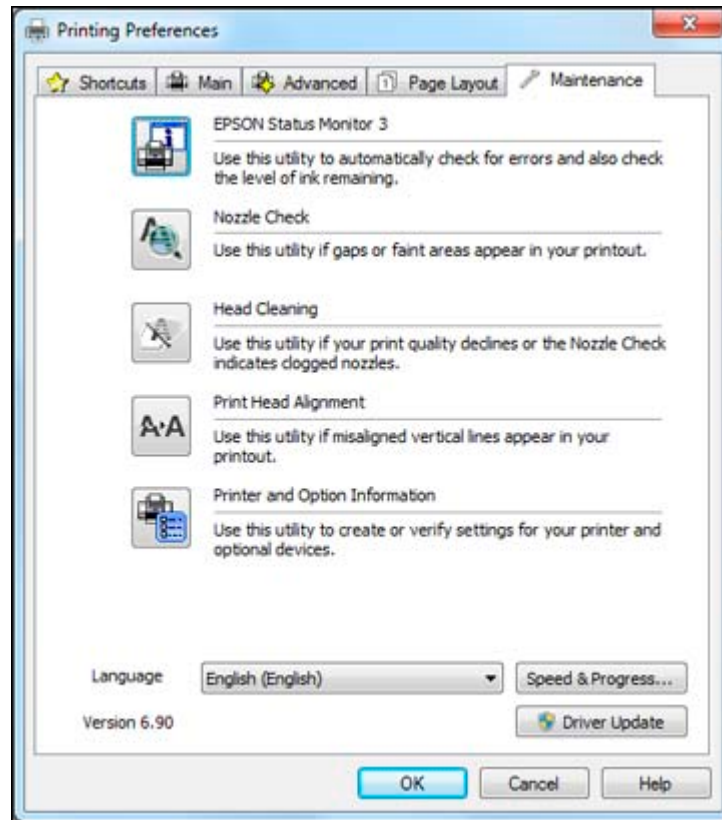
1. Right-click the product icon in the Windows taskbar.
2. Select **Printer Settings**.



You see the printer settings window.

3. Click the **Maintenance** tab.

You see the maintenance options:



4. Select the language you want to use as the **Language** setting.
5. Click **OK** to close the printer software window.

The printer software screens appear in the language you selected the next time you access them.

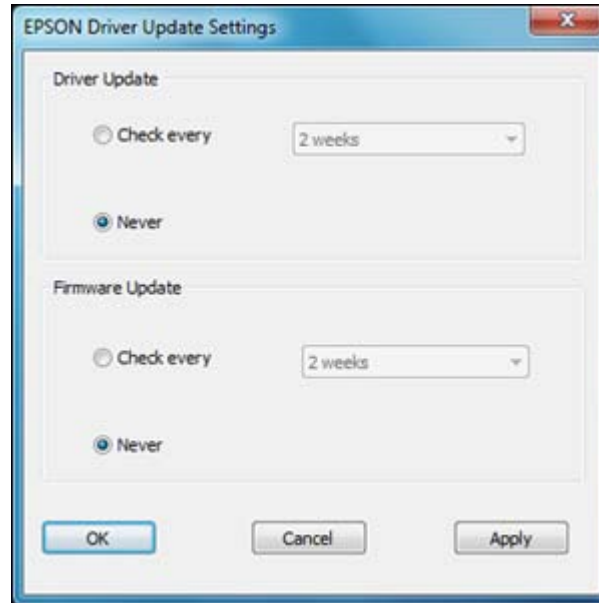
**Parent topic:** [Selecting Default Print Settings - Windows](#)

## Changing Automatic Update Options

Your printer software for Windows automatically checks for updates to the product driver and firmware. You can change how often the software checks for updates or disable this feature.

1. Right-click the product icon in the Windows taskbar.
2. Select **Auto Update Settings**.

You see this window:



3. Do one of the following for each type of update:
  - To change how often the software checks for updates, select a setting in the **Check every** menu.
  - To disable the automatic update feature, select the **Never** option.
4. Click **Apply**.
5. Click **OK** to exit.

**Note:** If you choose to disable the automatic update feature, it's a good idea to periodically check for updates on Epson's support website.

**Parent topic:** [Printing with Windows](#)

**Related tasks**

[Checking for Software Updates](#)

## Printing with Mac OS X 10.5, 10.6, or 10.7

You can print with your product using any Mac OS X printing program, as described in these sections.

[Selecting Basic Print Settings - Mac OS X 10.5/10.6/10.7](#)

[Selecting Page Setup Settings - Mac OS X 10.5/10.6/10.7](#)

[Selecting Print Layout Options - Mac OS X 10.5/10.6/10.7](#)

[Managing Color - Mac OS X 10.5/10.6/10.7](#)

[Selecting Printing Preferences - Mac OS X 10.5/10.6/10.7](#)

[Printing Your Document or Photo - Mac OS X 10.5/10.6/10.7](#)

**Parent topic:** [Printing From a Computer](#)

### Selecting Basic Print Settings - Mac OS X 10.5/10.6/10.7

Select the basic settings for the document or photo you want to print.

1. Open a photo or document for printing.
2. Select the print command in your application.

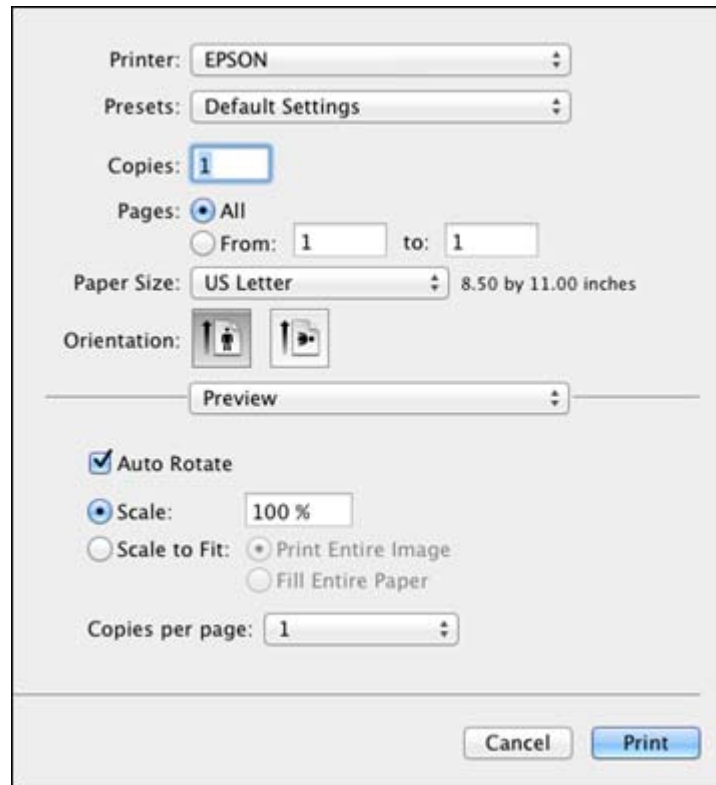
**Note:** You may need to select a print icon on your screen, the **Print** option in the File menu, or another command. See your application's help utility for details.

3. Select your product as the **Printer** setting.



4. If necessary, click the arrow next to the Printer setting or the **Show Details** button to expand the print window.

You see the expanded printer settings window for your product:



**Note:** The print window may look different, depending on the version of Mac OS X and the application you are using.

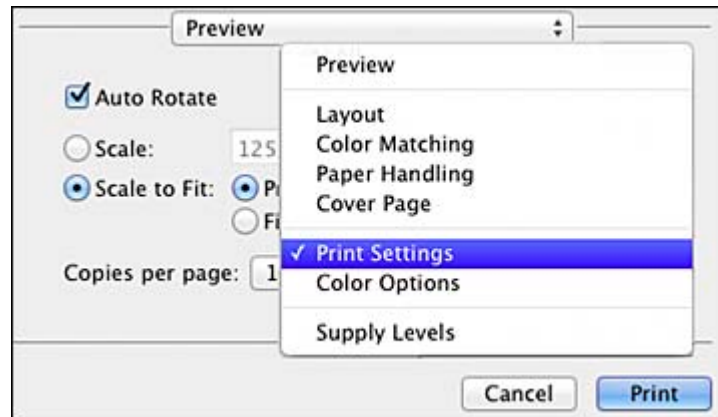
5. Select the **Copies** and **Pages** settings as necessary.

**Note:** If you do not see these settings in the print window, check for them in your application before printing.

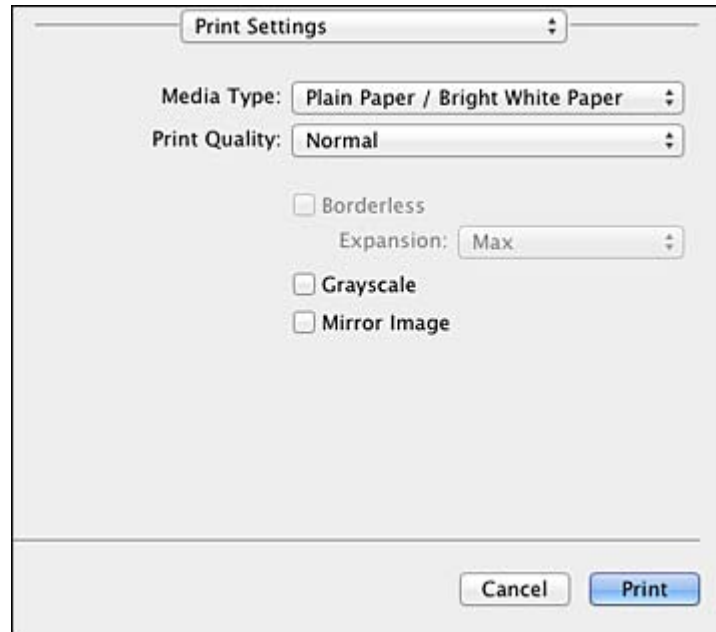
6. Select the page setup options: **Paper Size** and **Orientation**.

**Note:** If you do not see these settings in the print window, check for them in your application before printing. They may be accessible by selecting **Page Setup** from the File menu.

7. Select any application-specific settings that appear on the screen, such as those shown in the image above for the Preview application.
8. Select **Print Settings** from the pop-up menu.



You see these settings:



9. Select the type of paper you loaded as the **Media Type** setting.

**Note:** The setting may not exactly match the name of your paper. Check the paper type settings list for details.

10. Select the **Print Quality** setting you want to use.
11. Select any of the available print options.

[Print Quality Settings - Mac OS X 10.5/10.6/10.7](#)

[Print Options - Mac OS X 10.5/10.6/10.7](#)

**Parent topic:** [Printing with Mac OS X 10.5, 10.6, or 10.7](#)

#### **Related references**

[Paper or Media Type Settings](#)

#### **Related tasks**

[Selecting Page Setup Settings - Mac OS X 10.5/10.6/10.7](#)

[Printing Your Document or Photo - Mac OS X 10.5/10.6/10.7](#)

## **Print Quality Settings - Mac OS X 10.5/10.6/10.7**

You can select any of the print quality settings to fine-tune the quality of your print. Some settings may be unavailable, depending on the paper type and border setting you have chosen.

### **Economy**

For fast printing with reduced quality.

### **Normal**

For everyday text and image printing.

### **Fine**

For text and graphics with good quality and print speed.

### **Photo**

For photos and graphics with good quality and print speed.

### **Photo RPM**

For the best print quality, but the slowest print speed.

**Parent topic:** [Selecting Basic Print Settings - Mac OS X 10.5/10.6/10.7](#)

## **Print Options - Mac OS X 10.5/10.6/10.7**

You can select any of the print options to customize your print. Some options may be unavailable, depending on other settings you have chosen.

### **Expansion**

If you selected a borderless paper size setting, adjusts the image expansion settings to control printing at the edges of borderless prints.

### **Grayscale**

Prints text and graphics in black or shades of gray.

### **Mirror Image**

Lets you flip the printed image horizontally.

**Note:** If you select the **Min** option for the Expansion setting, you may see white borders on your printed photo.

**Parent topic:** [Selecting Basic Print Settings - Mac OS X 10.5/10.6/10.7](#)

## **Selecting Page Setup Settings - Mac OS X 10.5/10.6/10.7**

Depending on your application, you may be able to select the paper size and orientation settings from the print window.




**Note:** If you do not see these settings in the print window, check for them in your application before printing. They may be accessible by selecting **Page Setup** from the File menu.

1. Select the size of the paper you loaded as the **Paper Size** setting. If you are printing a borderless photo, select a paper size with a **Sheet Feeder - Borderless** option. You can also select a custom setting to create a custom paper size.

**Note:** You must select a compatible borderless paper type and size to print borderlessly. Check the borderless paper compatibility list for details.

2. Select the orientation of your document or photo as shown in the print window.

**Note:** If you are printing an envelope, select the  icon.

**Note:** You can reduce or enlarge the size of the printed image by selecting **Paper Handling** from the pop-up menu and selecting a scaling option.

**Parent topic:** [Printing with Mac OS X 10.5, 10.6, or 10.7](#)

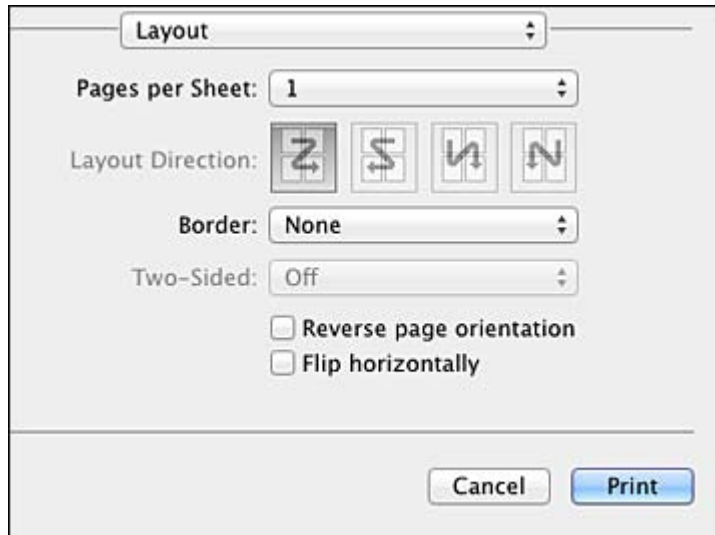
#### **Related references**

[Borderless Paper Type Compatibility](#)

## **Selecting Print Layout Options - Mac OS X 10.5/10.6/10.7**

You can select a variety of layout options for your document or photo by selecting **Layout** from the pop-up menu on the print window.





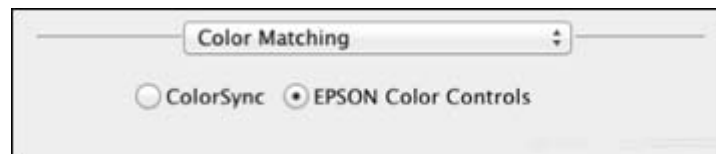
- To print multiple pages on one sheet of paper, select the number of pages in the **Pages per Sheet** pop-up menu. To arrange the print order of the pages, select a **Layout Direction** setting.
- To print borders around each page on the sheet, select a line setting from the **Border** pop-up menu.
- To invert or flip the printed image, select the **Reverse page orientation** or **Flip horizontally** settings.

**Parent topic:** [Printing with Mac OS X 10.5, 10.6, or 10.7](#)

## Managing Color - Mac OS X 10.5/10.6/10.7

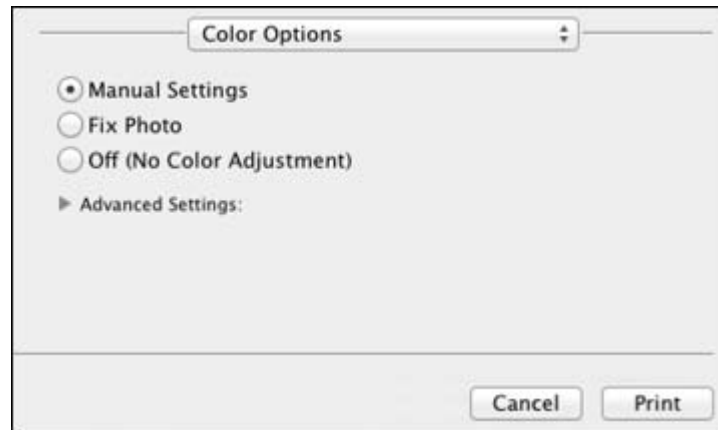
You can adjust the Color Matching and Color Options settings to fine-tune the colors in your printout, or turn off color management in your printer software.

1. Select **Color Matching** from the pop-up menu in the print window.



2. Select one of the available options.

3. Select **Color Options** from the pop-up menu in the print window.



**Note:** The available settings on the Color Options menu depend on the option you selected on the Color Matching menu.

4. Select one of the available options.

[Color Matching and Color Options - Mac OS X 10.5/10.6/10.7](#)

**Parent topic:** [Printing with Mac OS X 10.5, 10.6, or 10.7](#)

### **Color Matching and Color Options - Mac OS X 10.5/10.6/10.7**

You can select from these settings on the **Color Matching** and **Color Options** menus.

#### **Color Matching Settings**

##### **EPSON Color Controls**

Lets you manage color using controls in your printer software, or turn off color management.

##### **ColorSync**

Prints using standard color profiles for your product and paper to help match image colors. You can customize the conversion method and filter settings on the ColorSync pop-up menu in the print window.

## Color Options Settings

### Manual Settings

Lets you select manual color adjustments. Click the arrow next to **Advanced Settings** and select settings for **Brightness**, **Contrast**, **Saturation**, and individual color tones. You can also select a color **Mode** setting for printing photos and graphics. If you select the **Adobe RGB** color mode, you can also adjust the midtone density using the **Gamma** setting.

### Fix Photo

Improves the color, contrast, and sharpness of flawed photos.

**Note:** Fix Photo uses a sophisticated face recognition technology to optimize photos that include faces. For this to work, both eyes and the nose must be visible in the subject's face. If your photo includes a face with an intentional color cast, such as a statue, you may want to turn off **Fix Photo** to retain the special color effects.

### Off (No Color Adjustment)

Turns off color management in your printer software so you can manage color using only your application software.

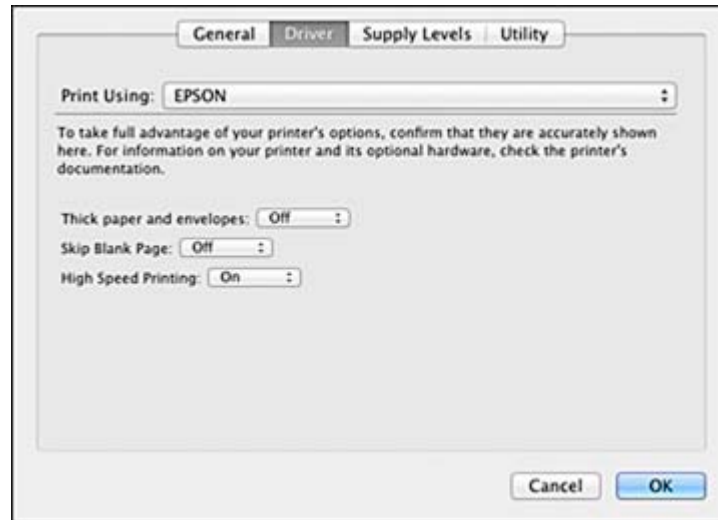
Parent topic: [Managing Color - Mac OS X 10.5/10.6/10.7](#)

## Selecting Printing Preferences - Mac OS X 10.5/10.6/10.7

You can select printing preferences that apply to all the print jobs you send to your product.

1. In the Apple menu or the Dock, select **System Preferences**.
2. Select **Print & Fax** or **Print & Scan**, select your product, and select **Options & Supplies**.
3. Select **Driver**.

You see this screen:



4. Select any of the available printing preferences.
5. Click **OK**.

[Printing Preferences - Mac OS X 10.5/10.6/10.7](#)

**Parent topic:** [Printing with Mac OS X 10.5, 10.6, or 10.7](#)

### **Printing Preferences - Mac OS X 10.5/10.6/10.7**

You can select from these settings on the Driver tab.

#### **Thick paper and envelopes**

Prevents ink from smearing when you print on envelopes or other thick paper.

#### **Skip Blank Page**

Ensures that your product does not print pages that contain no text or images.

#### **High Speed Printing**

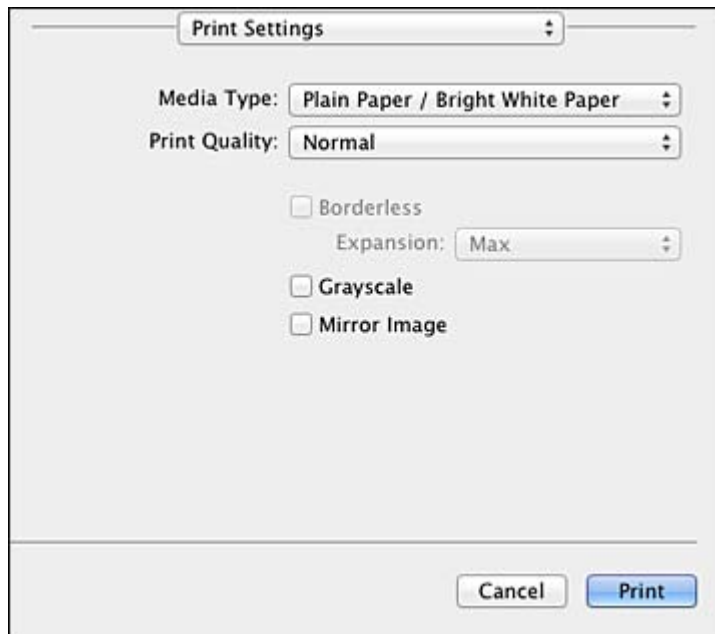
Speeds up printing, but may reduce print quality.

**Parent topic:** [Selecting Printing Preferences - Mac OS X 10.5/10.6/10.7](#)

### **Printing Your Document or Photo - Mac OS X 10.5/10.6/10.7**

Once you have selected your print settings, you are ready to print.

Click **Print** at the bottom of the print window.



[Checking Print Status - Mac OS X 10.5/10.6/10.7](#)

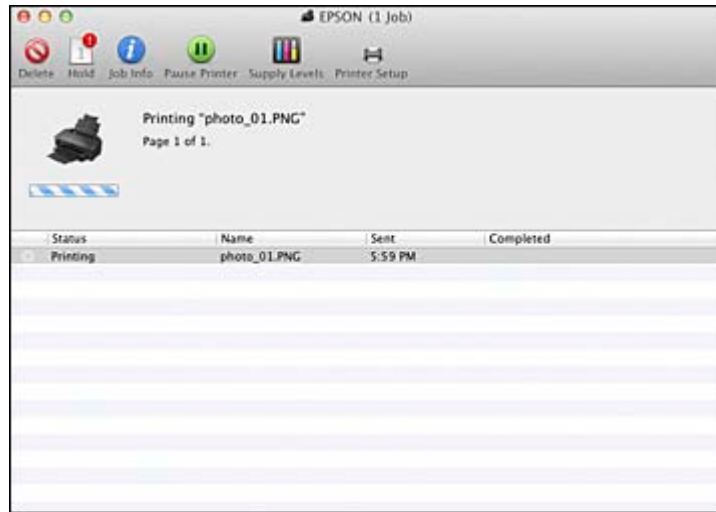
**Parent topic:** [Printing with Mac OS X 10.5, 10.6, or 10.7](#)

### Checking Print Status - Mac OS X 10.5/10.6/10.7

During printing, you can view the progress of your print job, control printing, and check ink cartridge status.

1. Click the printer icon when it appears in the Dock.

You see the print status window:



2. Select the following options as necessary:

- To cancel printing, click the print job and click **Delete**.
- To pause a print job, click the print job and click **Hold**. To resume a print job, click the print job marked "Hold" and click **Resume**.
- To pause printing for all queued print jobs, click **Pause Printer**.
- To check ink status, click **Supply Levels**.

**Parent topic:** [Printing Your Document or Photo - Mac OS X 10.5/10.6/10.7](#)

## Printing with Mac OS X 10.4

You can print with your product using any Mac OS X printing program, as described in these sections.

[Selecting Page Setup Settings - Mac OS X 10.4](#)

[Selecting Basic Print Settings - Mac OS X 10.4](#)

[Selecting Print Layout Options - Mac OS X 10.4](#)

[Managing Color - Mac OS X 10.4](#)

[Selecting Printing Preferences - Mac OS X 10.4](#)

[Printing Your Document or Photo - Mac OS X 10.4](#)

**Parent topic:** [Printing From a Computer](#)

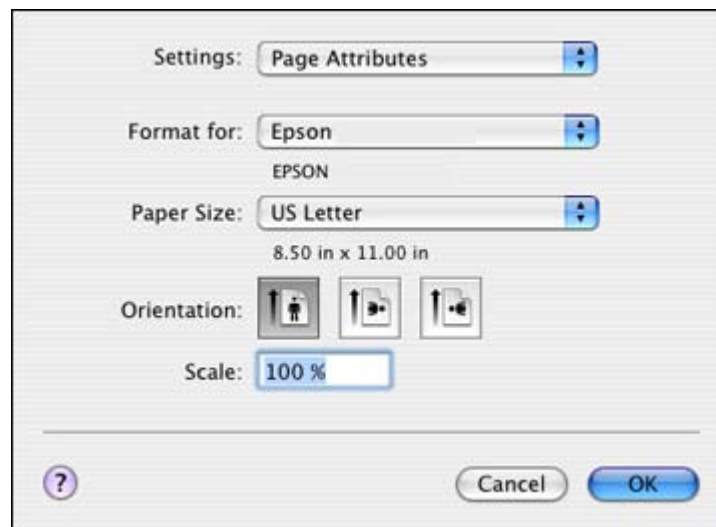
## Selecting Page Setup Settings - Mac OS X 10.4

Select the page setup settings for the document or photo you want to print.

1. Open a photo or document for printing.
2. Select the **Page Setup** command in your application.

**Note:** You may need to select a print icon on your screen, the **Page Setup** option in the File menu, or another command. See your application's help utility for details.


3. Select your product as the **Format for** setting.



4. Select the size of the paper you loaded as the **Paper Size** setting. If you are printing a borderless photo, select a paper size with a **Sheet Feeder - Borderless** option. You can also select a custom setting to create a custom paper size.

**Note:** You must select a compatible borderless paper type and size to print borderlessly. Check the borderless paper compatibility list for details.

5. Select the orientation of your document or photo as shown in the page setup window.

**Note:** If you are printing an envelope, select the  icon.

6. To reduce or enlarge the size of the printed image, select a different **Scale** setting.
7. Click **OK** to close the window.

**Parent topic:** [Printing with Mac OS X 10.4](#)

#### Related references

[Borderless Paper Type Compatibility](#)

#### Related tasks

[Selecting Basic Print Settings - Mac OS X 10.4](#)

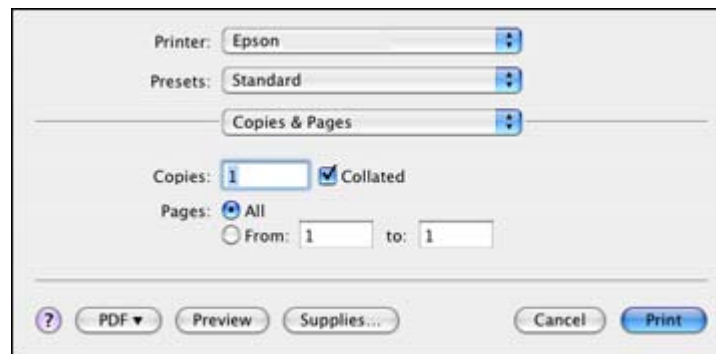
## Selecting Basic Print Settings - Mac OS X 10.4

Select the basic settings for the document or photo you want to print.

1. Select the print command in your application.

**Note:** You may need to select a print icon on your screen, the **Print** option in the File menu, or another command. See your application's help utility for details.

2. Select your product as the **Printer** setting.

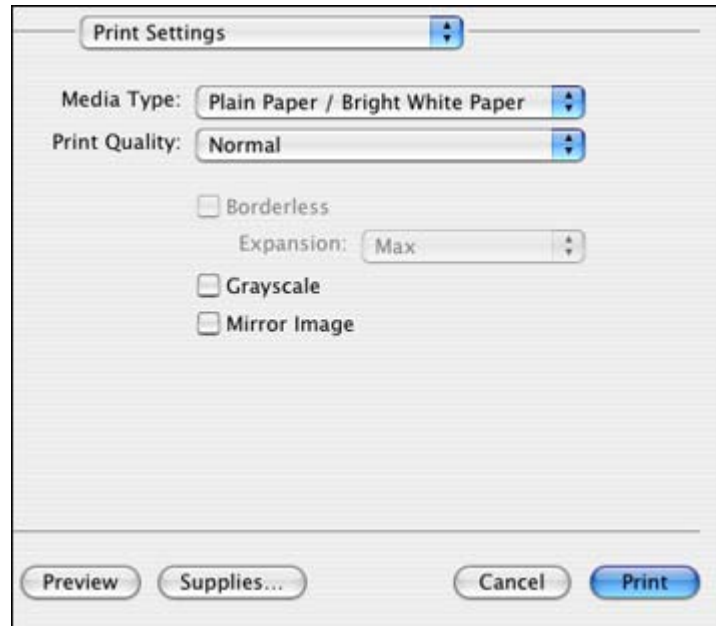




3. Select the **Copies** and **Pages** settings as necessary.

**Note:** If you do not see these settings in the print window, check for them in your application before printing. In some applications, you may need to select **Advanced** before you can see these settings.

4. Select **Print Settings** from the pop-up menu.



5. Select the type of paper you loaded as the **Media Type** setting.

**Note:** The setting may not exactly match the name of your paper. Check the paper type settings list for details.

6. Select the **Print Quality** setting you want to use.
7. Select any of the available print options.

[Print Quality Settings - Mac OS X 10.4](#)

[Print Options - Mac OS X 10.4](#)

**Parent topic:** [Printing with Mac OS X 10.4](#)

### **Related references**

[Paper or Media Type Settings](#)

### **Related tasks**

[Printing Your Document or Photo - Mac OS X 10.4](#)

## **Print Quality Settings - Mac OS X 10.4**

You can select any of the print quality settings to fine-tune the quality of your print. Some settings may be unavailable, depending on the paper type and border setting you have chosen.

### **Economy**

For fast printing with reduced quality.

### **Normal**

For everyday text and image printing.

### **Fine**

For text and graphics with good quality and print speed.

### **Photo**

For photos and graphics with good quality and print speed.

### **Photo RPM**

For the best print quality, but the slowest print speed.

**Parent topic:** [Selecting Basic Print Settings - Mac OS X 10.4](#)

## **Print Options - Mac OS X 10.4**

You can select any of the print options to customize your print. Some options may be unavailable, depending on other settings you have chosen.

### **Expansion**

If you selected a borderless paper size setting, adjusts the image expansion settings to control printing at the edges of borderless prints.

### **Grayscale**

Prints text and graphics in black or shades of gray.

### **Mirror Image**

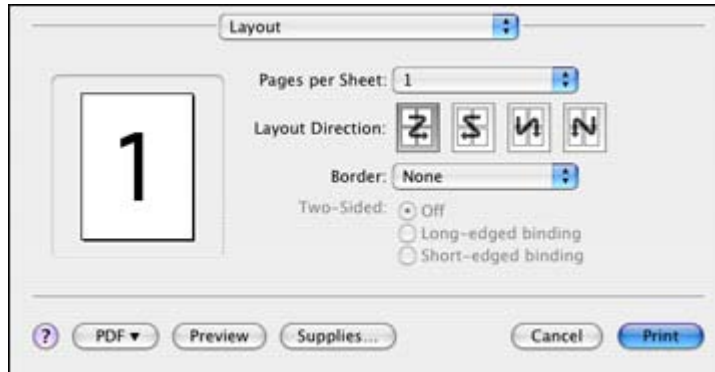
Lets you flip the printed image horizontally.

**Note:** If you select the **Min** option for the Expansion setting, you may see white borders on your printed photo.

**Parent topic:** [Selecting Basic Print Settings - Mac OS X 10.4](#)

## Selecting Print Layout Options - Mac OS X 10.4

You can select layout options for multi-page documents by selecting **Layout** from the pop-up menu on the print window.



- To print multiple pages on one sheet of paper, select the number of pages in the **Pages per Sheet** pop-up menu. To arrange the print order of the pages, select a **Layout Direction** setting.
- To print borders around each page on the sheet, select a line setting from the **Border** pop-up menu.

**Parent topic:** [Printing with Mac OS X 10.4](#)

## Managing Color - Mac OS X 10.4

You can adjust the Color Options settings to fine-tune the colors in your printout, or turn off color management in your printer software.

1. Select **Color Options** from the pop-up menu in the print window.



2. Select one of the available options.

[Color Options - Mac OS X 10.4](#)

**Parent topic:** [Printing with Mac OS X 10.4](#)

### Color Options - Mac OS X 10.4

You can select from these settings on the Color Options menu.

#### Manual Settings

Lets you select manual color adjustments. Click the arrow next to **Advanced Settings** and select settings for **Brightness, Contrast, Saturation**, and individual color tones. You can also select a color **Mode** setting for printing photos and graphics. If you select the **Adobe RGB** color mode, you can also adjust the midtone density using the **Gamma** setting.

#### ColorSync

Prints using standard color profiles for your product and paper to help match image colors. You can customize the conversion method and filter settings on the **ColorSync** pop-up menu in the print window.

#### Off (No Color Adjustment)

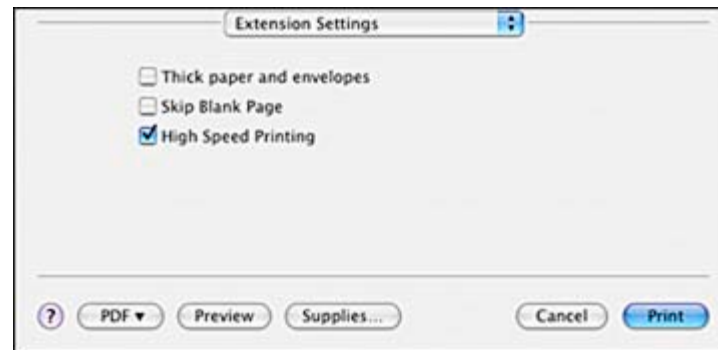
Turns off color management in your printer software so you can manage color using only your application software.

**Parent topic:** [Managing Color - Mac OS X 10.4](#)

### Selecting Printing Preferences - Mac OS X 10.4

You can select various printing preferences from the Extension Settings menu.

1. Select **Extension Settings** from the pop-up menu in the print window.



2. Select any of the available printing preferences.

[Printing Preferences - Mac OS X 10.4](#)

**Parent topic:** [Printing with Mac OS X 10.4](#)

### **Printing Preferences - Mac OS X 10.4**

You can select from these options on the Extension Settings menu.

#### **Thick paper and envelopes**

Prevents ink from smearing when you print on envelopes or other thick paper.

#### **Skip Blank Page**

Ensures that your product does not print pages that contain no text or images.

#### **High Speed Printing**

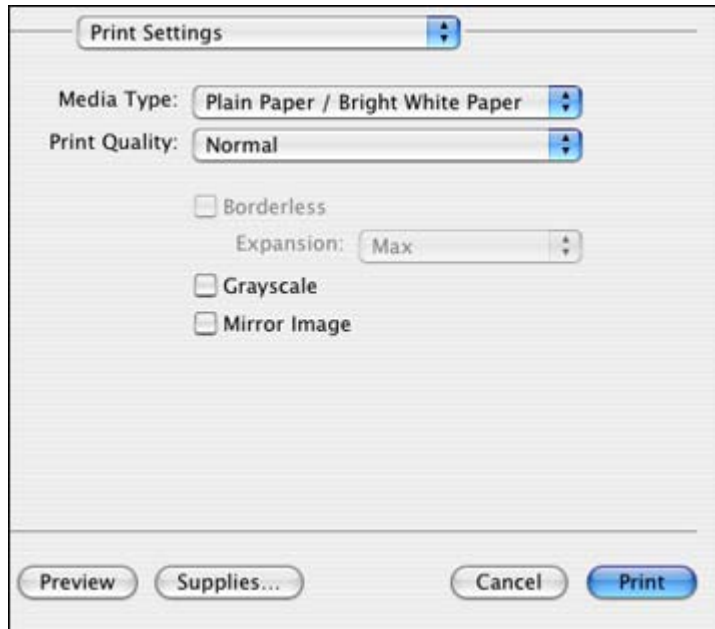
Speeds up printing, but may reduce print quality.

**Parent topic:** [Selecting Printing Preferences - Mac OS X 10.4](#)

### **Printing Your Document or Photo - Mac OS X 10.4**

Once you have selected your print settings, you are ready to print.

Click **Print** at the bottom of the print window.



[Checking Print Status - Mac OS X 10.4](#)

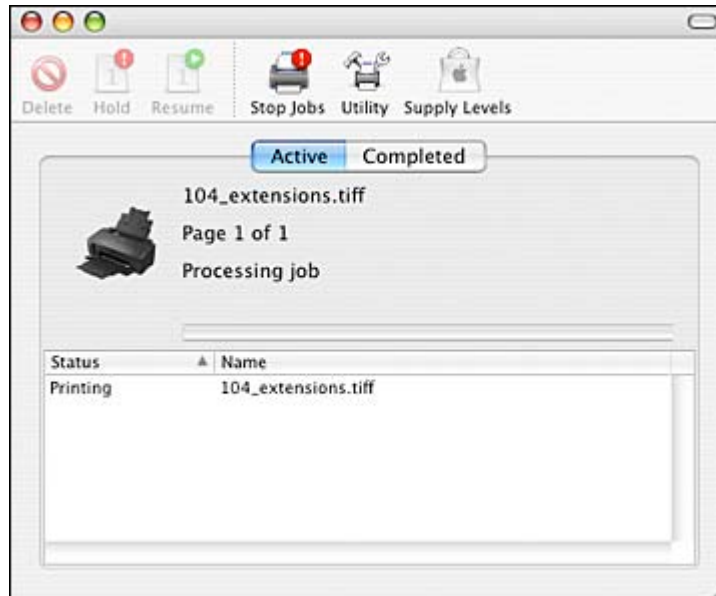
**Parent topic:** [Printing with Mac OS X 10.4](#)

### Checking Print Status - Mac OS X 10.4

During printing, you can view the progress of your print job, control printing, and check ink cartridge status.

1. Click the printer icon when it appears in the Dock.

You see the print status window:



2. Select the following options as necessary:

- To cancel printing, click the print job and click **Delete**.
- To pause printing, click the print job and click **Hold**. To resume printing, click the print job marked "Hold" and click **Resume**.
- To check ink status, click **Supply Levels**.

**Parent topic:** [Printing Your Document or Photo - Mac OS X 10.4](#)

## Cancelling Printing Using a Product Button

If you need to cancel printing, press the  paper/cancel button on your product for 3 seconds.

**Parent topic:** [Printing From a Computer](#)

---

## Using an External Device with Your Product

Follow the instructions in these sections to use your product with an external device, such as a camera, smartphone, or other device.

[Wireless Printing from a Mobile Device](#)

[Printing From a Camera Connected to Your Product](#)

### Wireless Printing from a Mobile Device

You can print photos, documents, web pages, and more from smartphones or tablets, such as iPhones, iPads, and Android devices.

1. Set up your product for wireless printing as described on the *Start Here* sheet.
2. Visit [www.epson.com/connect](http://www.epson.com/connect) to learn more about mobile device printing and check the compatibility of your mobile device.
3. Connect your mobile device to the same wireless network that your product is using.
4. Print from your mobile device to your EPSON product.

**Parent topic:** [Using an External Device with Your Product](#)

### Printing From a Camera Connected to Your Product

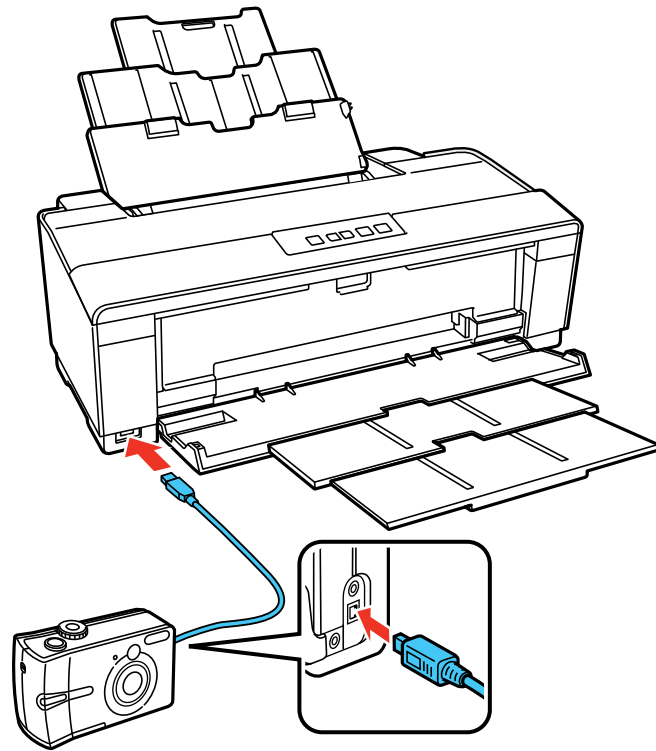
If you have a digital camera that supports PictBridge printing, you can connect it to the product and print your photos directly from the camera. Check your camera manual to see if it is compatible.

**Note:** Your photos must be in JPG format and sized from 80 × 80 to 9200 × 9200 pixels. Epson cannot guarantee the compatibility of your camera. Some combinations of paper type, size, and layout may not be supported, depending on your camera and the product settings.

1. Load the paper you want to use for printing.
2. Connect the USB cable that came with your camera to the  USB port on the front of your product.

**Note:** You cannot use the USB port to transfer images from your camera to your computer.





3. Turn on your camera.
4. Follow the instructions that came with your camera to select your photos and settings, and print. When you finish printing, turn off your camera and disconnect it from the product.

**Parent topic:** [Using an External Device with Your Product](#)

**Related tasks**

[Loading Paper](#)

---

## Printing on CDs/DVDs

Follow the instructions here to print a design onto ink jet-printable CDs or DVDs to create a custom label.

[Loading a CD/DVD](#)

[Removing a Printed CD/DVD](#)

[Printing on CDs/DVDs from a Computer](#)

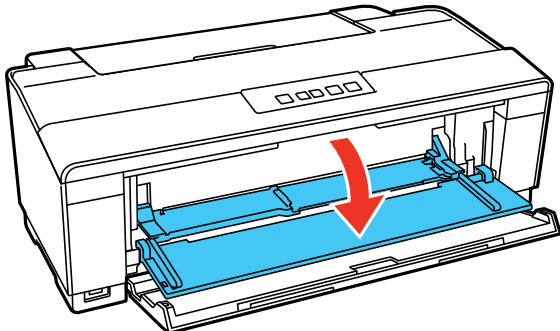
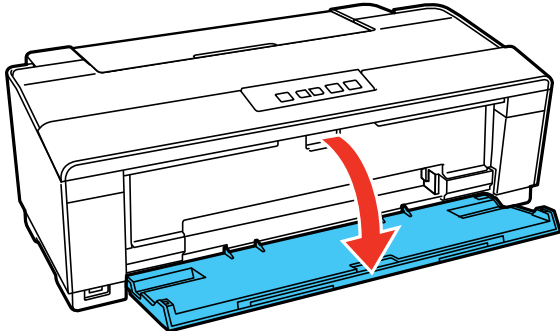
### Loading a CD/DVD

You can print on any compatible, ink jet-printable CDs or DVDs (including Blu-ray Discs), preferably with a white surface.

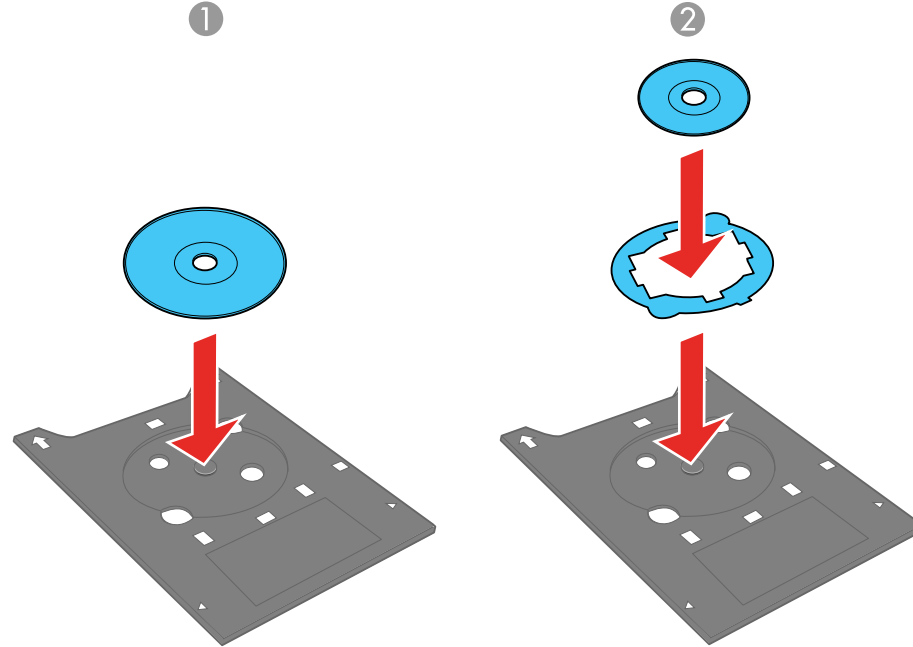
**Note:** If you are using discs where the printable area extends to within 0.16 inch (4 mm) of the center hole, you may need to adjust the inner diameter setting using the EPSON Print CD software.

1. Make sure you burn your files, music, or video onto your disc before printing on it.
2. Turn on the product.
3. Remove any paper loaded in the sheet feeder, and close the paper support if it's open.

4. Open the output tray, but do not pull out the extensions. Then open the CD/DVD feed tray.



5. Place your disc on the included CD/DVD tray with the label side up.



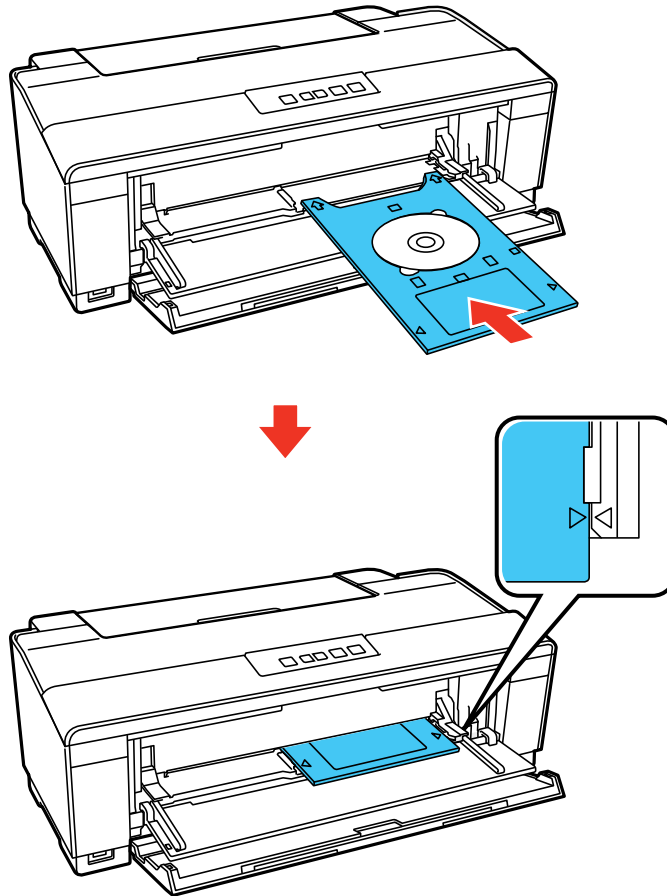
1 12-cm discs


2 8-cm discs

**Note:** For small 8-cm discs, place the adapter on the tray and then place the disc in the adapter.

**Caution:** Before placing the CD/DVD, make sure no foreign particles or substances are on the CD/DVD tray. Otherwise, the CD/DVD and the data on it may be damaged.

6. Gently insert the CD/DVD tray into the CD/DVD feed tray. Push in the tray until the arrows on the tray and feed tray are aligned.



**Caution:** Do not insert the CD/DVD tray while the  power light is flashing. Otherwise, the product or your CD/DVD may be damaged. Do not turn off the product with the CD/DVD tray inserted in it. Always remove the tray first.

Parent topic: [Printing on CDs/DVDs](#)

## Removing a Printed CD/DVD

After your CD/DVD is printed, the CD/DVD tray ejects partially from the product. Pull out the tray and remove the disc. Then close the CD/DVD feed tray.

**Note:** If the CD/DVD tray gets any ink on it, immediately wipe it off.

After printing, handle the CD/DVD carefully. You may need to wait up to 24 hours for the ink to dry fully before inserting it in a drive, depending on the type of disc you used. Keep printed discs away from moisture and direct sunlight.

**Caution:** Do not turn off the product with the CD/DVD tray inserted in it. Always remove the tray first. Store the CD/DVD tray flat. A warped or damaged CD/DVD tray may stop your product from operating normally.

**Parent topic:** [Printing on CDs/DVDs](#)

## Printing on CDs/DVDs from a Computer

Before printing directly on CDs or DVDs from your computer, make sure you have set up your product and installed the EPSON Print CD software as described on the *Start Here* sheet.

**Note:** Use only an application that supports CD/DVD printing or ink may get on the CD/DVD tray or inside your product. Check the CD/DVD package for any additional instructions.

[Printing on a CD/DVD with Windows](#)

[Printing on a CD/DVD with Mac OS X](#)

**Parent topic:** [Printing on CDs/DVDs](#)

## Printing on a CD/DVD with Windows

You can print with your product using the EPSON Print CD software, as described in these sections.

[Designing a CD/DVD - Windows](#)

[Printing Your CD/DVD Design - Windows](#)

[Adjusting CD/DVD Print Position - Windows](#)

[Adjusting CD/DVD Print Quality - Windows](#)

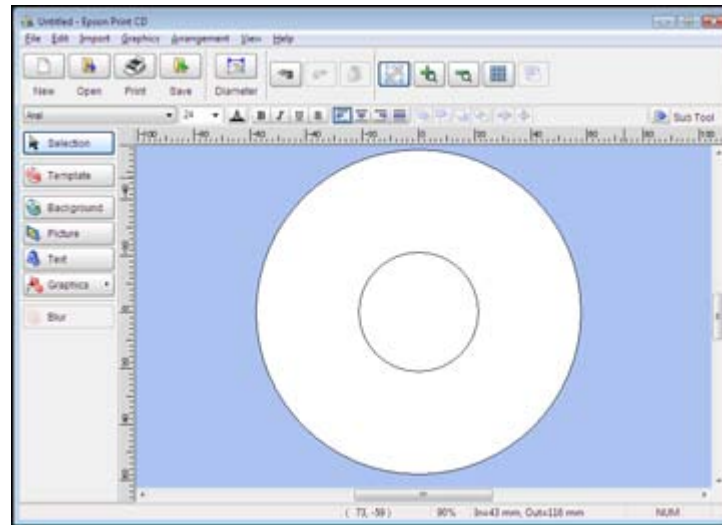
**Parent topic:** [Printing on CDs/DVDs from a Computer](#)

## Designing a CD/DVD - Windows

You can use EPSON Print CD to design your disc by importing photos, adding text, and creating special effects.

1. Open the EPSON Print CD program on your computer.

You see this screen:



2. Use the buttons on the left side of the screen to select a pre-designed template or add a background image, picture, text, or graphic elements. For more information, select the **Help** menu.
3. When you are finished creating your design, click **Save** and save your design file.

**Parent topic:** [Printing on a CD/DVD with Windows](#)

### Related tasks

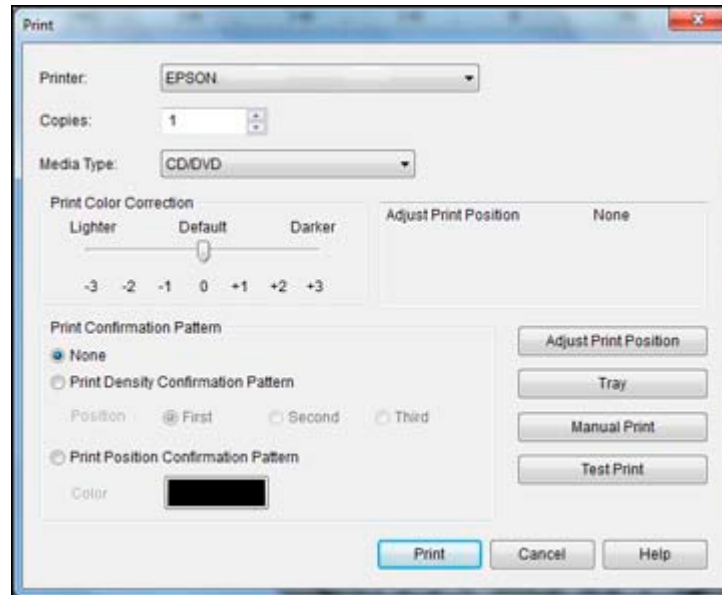
[Printing Your CD/DVD Design - Windows](#)

## Printing Your CD/DVD Design - Windows

After you create your design, you can print it on paper to test it, then print it on the CD or DVD that contains your data, photos, video, or music. Make sure the disc is loaded for printing before you start.

1. Open your file in EPSON Print CD and click **Print**.

You see this screen:



2. Make sure your product is selected as the **Printer** setting.
3. To see how your design will look without printing on the disc, click **Test Print** and follow the instructions on the screen.

**Note:** If printing a test design on a sheet of paper, make sure that the CD/DVD tray is not inserted in the product and the CD/DVD feed tray is closed.

4. When you are ready to print on the disc, click the **Print** button on the screen.
5. Click **Print**.

**Parent topic:** [Printing on a CD/DVD with Windows](#)

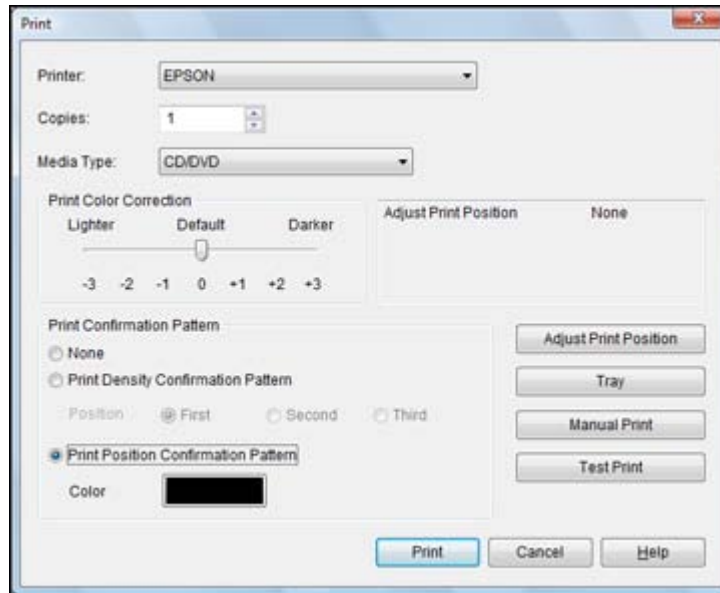
### Adjusting CD/DVD Print Position - Windows

If your printed design is not positioned correctly on the disc, you can adjust the print position. First, load an extra CD/DVD to use for printing test patterns.

1. Open your file in EPSON Print CD and click **Print**.

You see this screen:

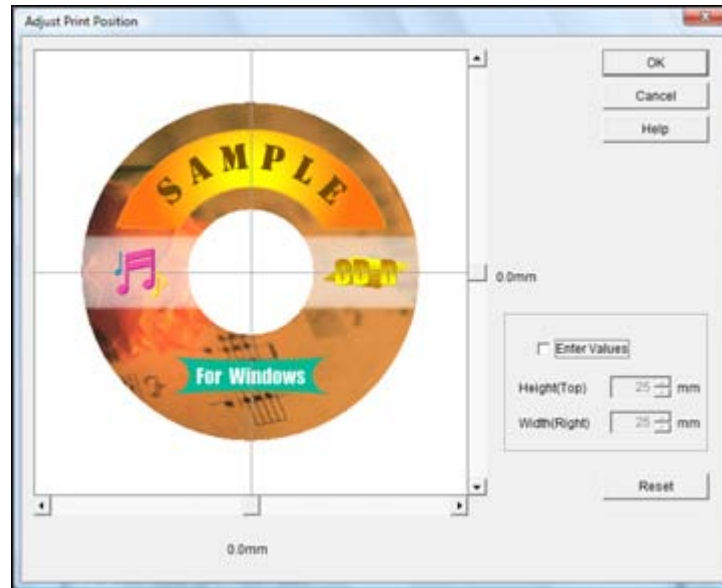




2. Select **Print Position Confirmation Pattern**.
3. Click **Print**.
4. Remove the disc after printing.
5. Using a metric ruler, measure the distance from the hole to the cross marks labeled **Top** and **Right**.

**Note:** Be sure to measure from the edge of the hole and not the edge of the printable area.

6. Click **Print** again, then select **Adjust Print Position**.  
You see this screen:



7. Click **Enter Values**, then select the distance for Top into the **Height (Top)** box and the distance for Right in the **Width (Right)** box.
8. Click **OK**.

**Parent topic:** [Printing on a CD/DVD with Windows](#)

#### **Related tasks**

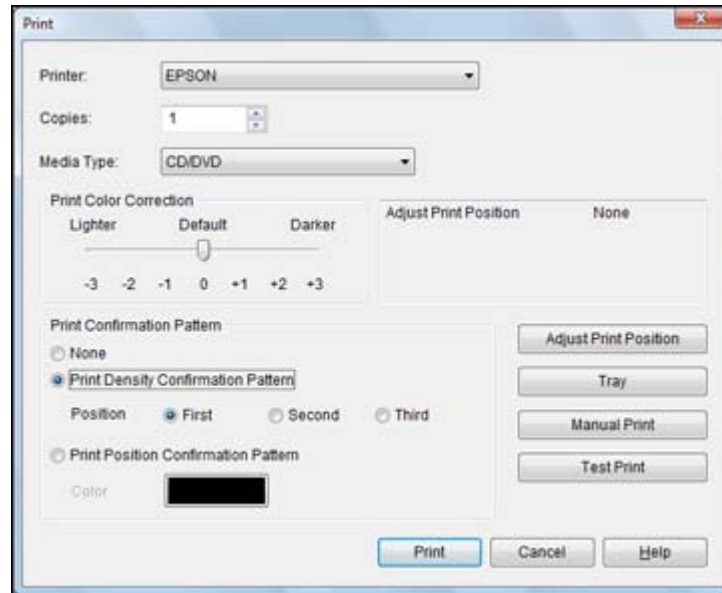
[Printing Your CD/DVD Design - Windows](#)

#### **Adjusting CD/DVD Print Quality - Windows**

If ink smears on your disc or is sticky after it dries, you can adjust the color saturation and ink density. This may be necessary to make sure your designs look their best on the particular brand of discs you are using. First, load an extra CD/DVD to use for printing test patterns.

1. Open your file in EPSON Print CD and click **Print**.

You see this screen:



2. Select **Print Density Confirmation Pattern**.
3. Click **Print**.
4. Remove the disc after printing and check to see if you need to make the density darker or lighter.
5. Load the same disc in the product again.
6. Click **Print**.
7. Adjust the **Print Color Correction** slider to a darker or lighter setting as necessary.
8. Select **Print Density Confirmation Pattern** and select the **Second** radio button.
9. Click **Print** to print another test pattern
10. Examine the disc after printing to see if further adjustment is needed.

When the ink density looks good, you are ready to print on your burned CD or DVD.

**Parent topic:** [Printing on a CD/DVD with Windows](#)

#### **Related tasks**

[Printing Your CD/DVD Design - Windows](#)

## Printing on a CD/DVD with Mac OS X

You can print with your product using the EPSON Print CD software, as described in these sections.

[Designing a CD/DVD - Mac OS X](#)

[Printing Your CD/DVD Design - Mac OS X](#)

[Adjusting CD/DVD Print Position - Mac OS X](#)

[Adjusting CD/DVD Print Quality - Mac OS X](#)

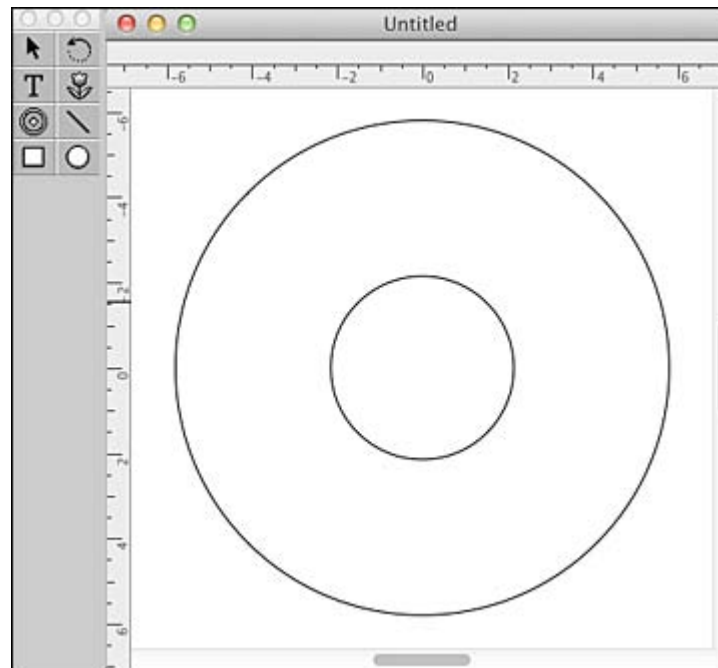
**Parent topic:** [Printing on CDs/DVDs from a Computer](#)

### Designing a CD/DVD - Mac OS X

You can use EPSON Print CD to design your disc by importing photos, adding text, and creating special effects.

1. Open the EPSON Print CD program in the **Applications > Epson Software > Print CD** folder on your Mac.

You see this screen:



2. Use the icons on the left side of the screen to add a background image, picture, text, or graphic elements.
3. When you are finished creating your design, make sure you save it.

**Parent topic:** [Printing on a CD/DVD with Mac OS X](#)

### Related tasks

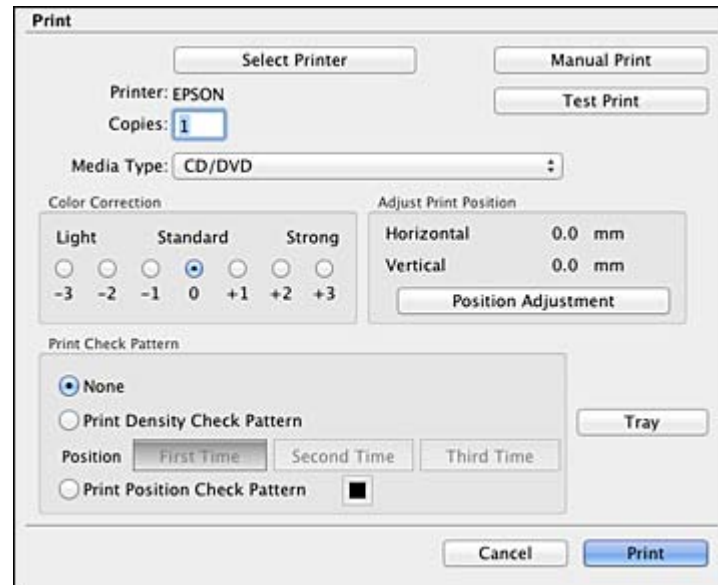
[Printing Your CD/DVD Design - Mac OS X](#)

## Printing Your CD/DVD Design - Mac OS X

After you create your design, you can print it on paper to test it, then print it on the CD or DVD that contains your data, photos, video, or music. Make sure the disc is loaded for printing before you start.

1. Open your file in EPSON Print CD and select **Print** from the File menu.

You see this screen:



2. Make sure your product is selected as the **Printer** setting.
3. To see how your design will look without printing on the disc, select **Test Print** and follow the instructions on the screen.

**Note:** If printing a test design on a sheet of paper, make sure that the CD/DVD tray is not inserted in the product and the CD/DVD feed tray is closed.

4. When you are ready to print on the disc, click the **Print** button on the screen.

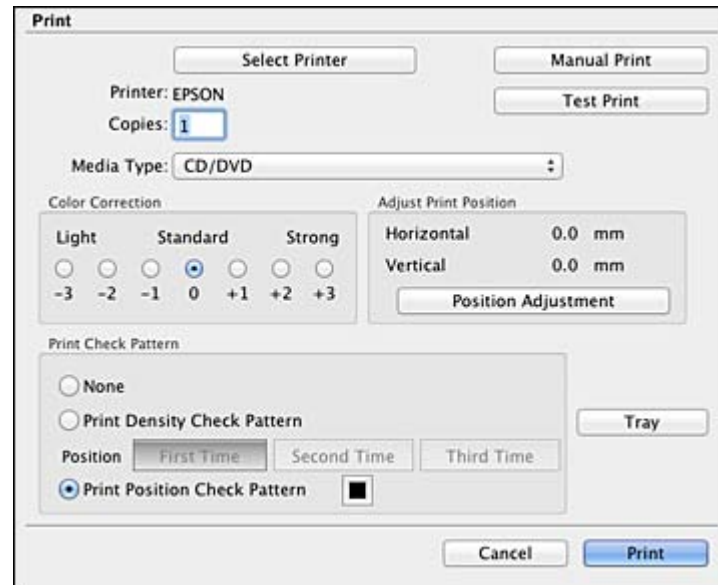
**Parent topic:** [Printing on a CD/DVD with Mac OS X](#)

### Adjusting CD/DVD Print Position - Mac OS X

If your printed design is not positioned correctly on the disc, you can adjust the print position. First, load an extra CD/DVD to use for printing test patterns.

1. Open your file in EPSON Print CD and select **Print** from the File menu.

You see this screen:



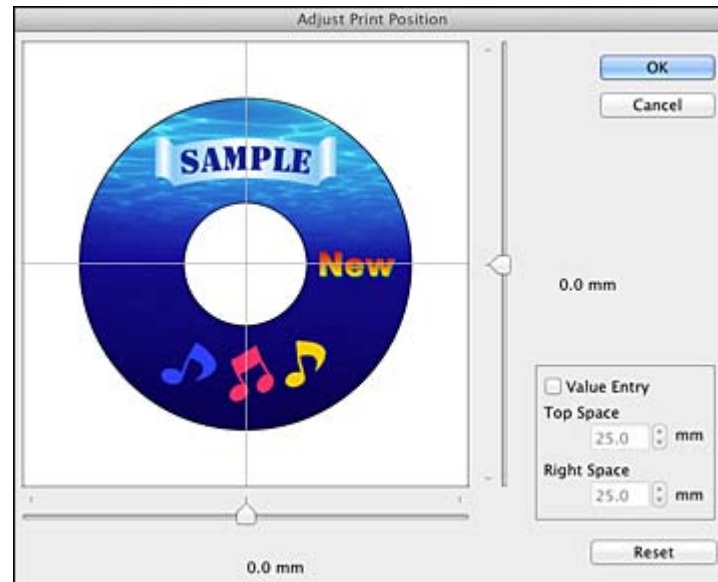
2. Select **Print Position Check Pattern**.
3. Click **Print**.

4. Remove the disc after printing.
5. Using a metric ruler, measure the distance from the hole to the cross marks labeled **Top** and **Right**.

**Note:** Be sure to measure from the edge of the hole and not the edge of the printable area.

6. Select **Print** from the File menu.
7. Select **Position Adjustment**.

You see this screen:



8. Click **Value Entry**, then select the distance for Top into the **Top Space** box and the distance for Right in the **Right Space** box.
9. Click **OK**.

**Parent topic:** [Printing on a CD/DVD with Mac OS X](#)

#### **Related tasks**

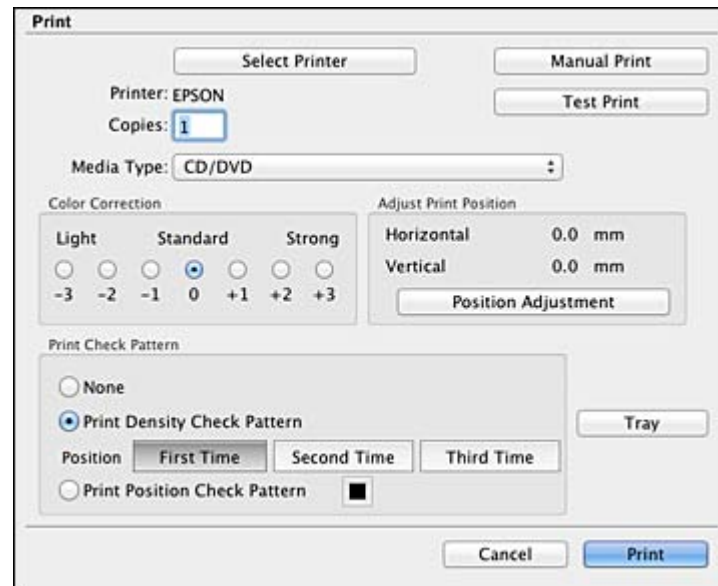
[Printing Your CD/DVD Design - Mac OS X](#)

## Adjusting CD/DVD Print Quality - Mac OS X

If ink smears on your disc or is sticky after it dries, you can adjust the color saturation and ink density. This may be necessary to make sure your designs look their best on the particular brand of discs you are using. First, load an extra CD/DVD to use for printing test patterns.

1. Open your file in EPSON Print CD and select **Print** from the File menu.

You see this screen:



2. Select **Print Density Check Pattern**.
3. Click **Print**.
4. Remove the disc after printing and check to see if you need to make the density darker or lighter.
5. Load the same disc in the product again.
6. Select **Print** from the File menu.
7. Select a darker or lighter setting in the **Color Correction** box as necessary.
8. Select **Print Density Check Pattern** and select **Second Time**.
9. Click **Print** to print another test pattern.



10. Examine the disc after printing to see if further adjustment is needed.

When the ink density looks good, you are ready to print on your burned CD or DVD.

**Parent topic:** [Printing on a CD/DVD with Mac OS X](#)

**Related tasks**

[Printing Your CD/DVD Design - Mac OS X](#)

---

# Replacing Ink Cartridges

When an ink cartridge is expended, you need to replace it.

You may also need to replace a cartridge that is more than six months old, if your printouts do not look their best, even after cleaning and aligning the print head.

**Note:** Please dispose of your used EPSON branded ink cartridges responsibly and in accordance with local requirements. If you would like to return your used ink cartridges to Epson for proper disposal, please go to [www.epson.com/recycle](http://www.epson.com/recycle) for more information.

[Check Cartridge Status](#)

[Purchase EPSON Ink Cartridges](#)

[Removing and Installing Ink Cartridges](#)

## Check Cartridge Status

Your product and its printing software will let you know when an ink cartridge is low or expended.

[Checking Cartridge Status Lights](#)

[Checking Cartridge Status with Windows](#)

[Checking Cartridge Status with Mac OS X](#)

**Parent topic:** [Replacing Ink Cartridges](#)

## Checking Cartridge Status Lights

You can check the status of your ink cartridges by checking the lights on your product.

- If the  $\Delta$  ink light is flashing, a cartridge is low. You can continue printing until the cartridge needs replacement.
- If the  $\Delta$  ink light is on, a cartridge is expended. You must replace the cartridge before you can print.

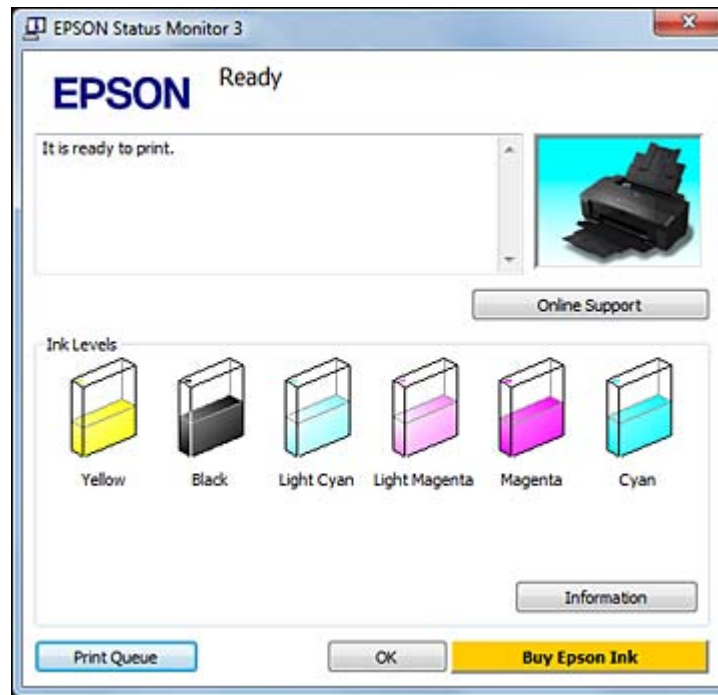
**Parent topic:** [Check Cartridge Status](#)

## Checking Cartridge Status with Windows

A low ink reminder appears if you try to print when ink is low, and you can check your cartridge status at any time using a utility on your Windows computer.

1. To check your cartridge status, double-click the product icon in the Windows taskbar.

You see this window:

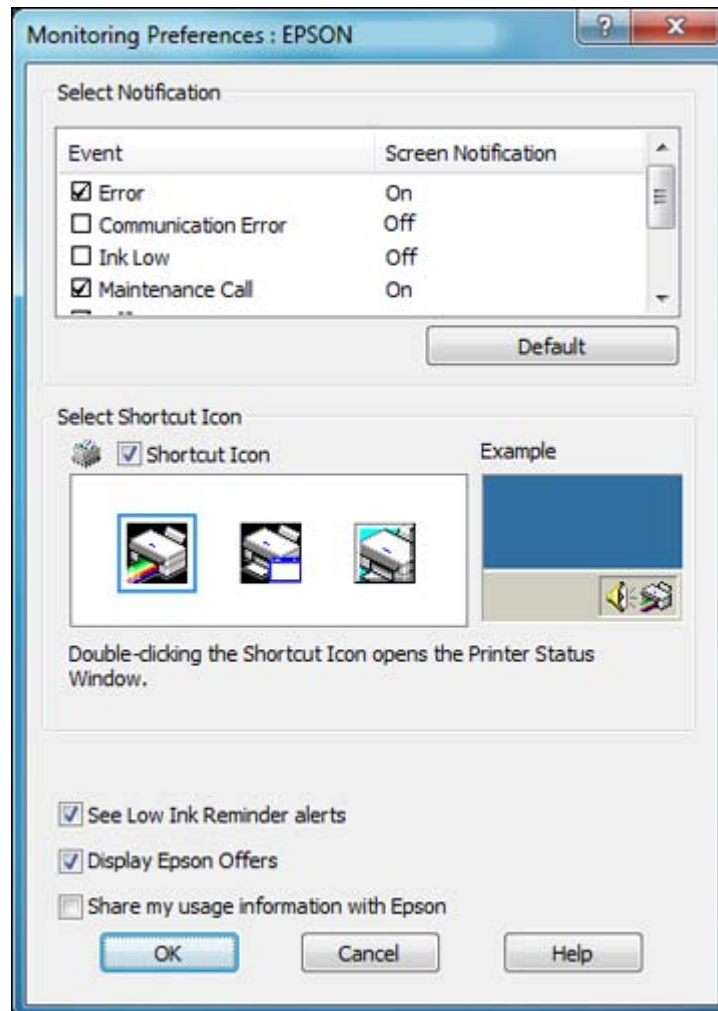


2. Replace or reinstall any ink cartridge indicated on the screen.

**Note:** If any of the cartridges installed in the product is broken, incompatible with the product model, or improperly installed, EPSON Status Monitor will not display an accurate cartridge status.

3. To disable the low ink reminder, right-click the product icon in the Windows taskbar and select **Monitoring Preferences**.

You see this window:



4. Deselect the **See Low Ink Reminder alerts** checkbox at the bottom of the screen.
5. To disable promotional offers, deselect the **Display Epson Offers** checkbox.

**Parent topic:** [Check Cartridge Status](#)

#### **Related tasks**

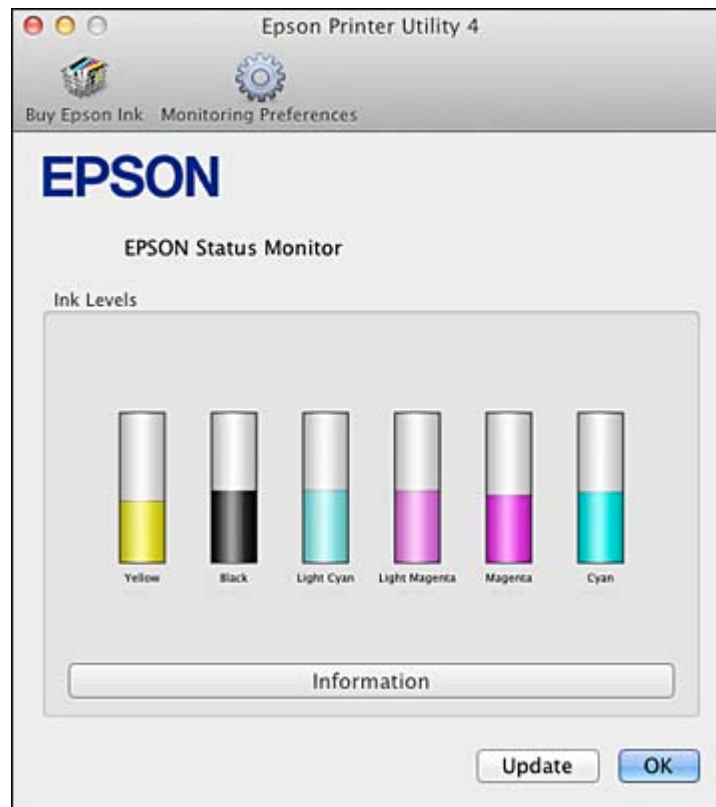
[Removing and Installing Ink Cartridges](#)

## Checking Cartridge Status with Mac OS X

You can check the status of your ink cartridges using a utility on your Mac.

1. Do one of the following:
  - **Mac OS X 10.6/10.7:** In the Apple menu or the Dock, select **System Preferences**. Select **Print & Fax** or **Print & Scan**, select your product, and select **Options & Supplies**. Select **Utility** and select **Open Printer Utility**.
  - **Mac OS X 10.4/10.5:** In the Apple menu or the Dock, select **System Preferences**. Select **Print & Fax**, select your product, and select **Open Print Queue** or **Print Queue**. Select **Utility**.
2. Select **EPSON Status Monitor**.

You see this window:



3. Do the following as necessary:
  - You can update the ink cartridge status by clicking **Update**.
  - Replace or reinstall any ink cartridge indicated on the screen.

**Note:** If any of the cartridges installed in the product is broken, incompatible with the product model, or improperly installed, EPSON Status Monitor will not display an accurate cartridge status.

**Parent topic:** [Check Cartridge Status](#)

**Related tasks**

[Removing and Installing Ink Cartridges](#)

## Purchase EPSON Ink Cartridges

You can purchase genuine EPSON ink and paper at EPSON Supplies Central at [www.epson.com/ink3](http://www.epson.com/ink3) (U.S. sales) or [www.epson.ca](http://www.epson.ca) (Canadian sales). You can also purchase supplies from an EPSON authorized reseller. To find the nearest one, call 800-GO-EPSON (800-463-7766).

**Note:** We recommend that you use genuine EPSON cartridges and do not refill them. The use of other products may affect your print quality and could result in printer damage.

The printer ships with full cartridges and part of the ink from this first set of cartridges is used for priming the printer. Yields vary considerably based on images printed, print settings, paper type, frequency of use, and temperature. For print quality, a variable amount of ink remains in the cartridge after the "replace cartridge" indicator comes on.

[Ink Cartridge Part Numbers](#)

**Parent topic:** [Replacing Ink Cartridges](#)

## Ink Cartridge Part Numbers

Use these part numbers when you order or purchase new ink cartridges, and use the cartridges within six months of installing them.

Ink color	Part number (High Capacity)
Black	79
Cyan	79
Magenta	79



Ink color	Part number (High Capacity)
Yellow	79
Light Magenta	79
Light Cyan	79

**Parent topic:** [Purchase EPSON Ink Cartridges](#)

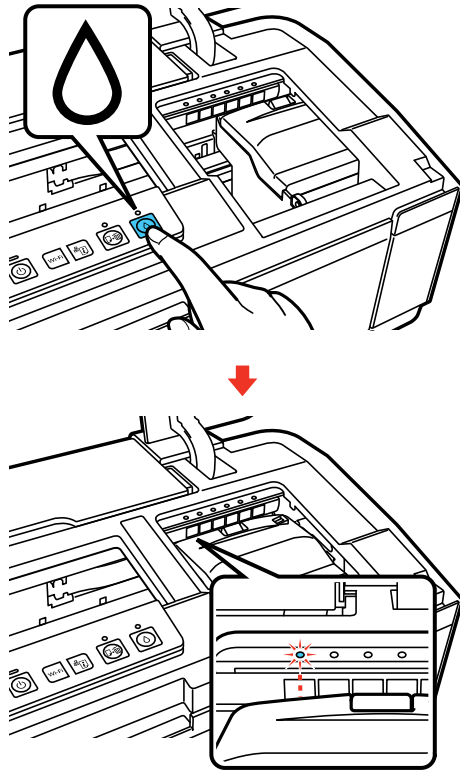
## Removing and Installing Ink Cartridges

Make sure you have your replacement cartridges handy before you begin. You must install new cartridges immediately after removing the old ones.

**Caution:** Leave your old cartridges in the product until you are ready to replace them to prevent the print head nozzles from drying out. Do not open ink cartridge packages until you are ready to install the ink. Cartridges are vacuum packed to maintain reliability.

1. Make sure the CD/DVD tray is not inserted in the product, and the  power light is on but not flashing.
2. Open the printer cover.
3. Press the  ink button to move the print head to the ink replacement position.

If a cartridge is expended, a solid light appears above it.

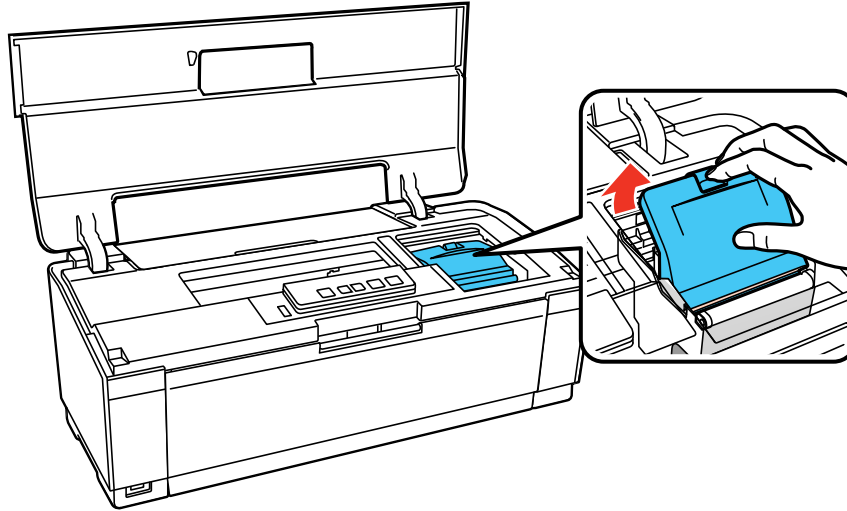


**Note:** If an ink cartridge is low, a flashing light appears above it. You can continue to use the low ink cartridge until it is expended. Do not hold the  $\Delta$  ink button for more than three seconds, or the product may start cleaning the print head.

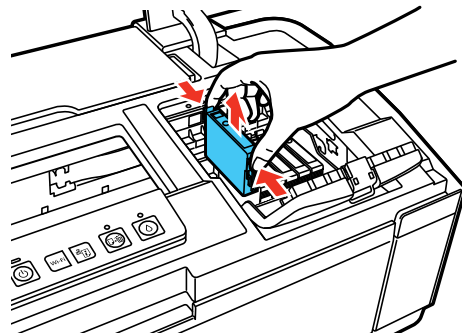
**Caution:** Do not move the print head by hand; otherwise, you may damage your product. Do not touch the flat white cable inside the product.



4. Open the ink cartridge cover.



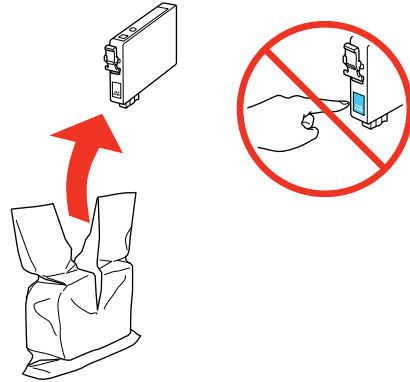
5. Squeeze the tab on the cartridge and lift the cartridge straight up to remove it.



**Note:** Dispose of used cartridges carefully. Do not take the used cartridge apart or try to refill it.

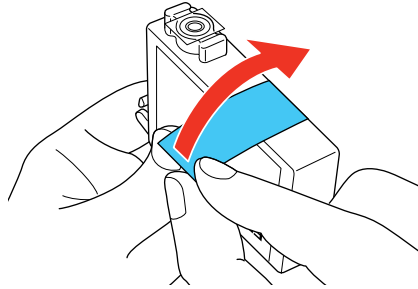
**Warning:** If ink gets on your skin, wash it thoroughly with soap and water. If ink gets into your eyes, flush them immediately with water. If ink gets into your mouth, spit it out and see a doctor right away. Keep ink cartridges out of the reach of children.

6. Remove the cartridge from the package.



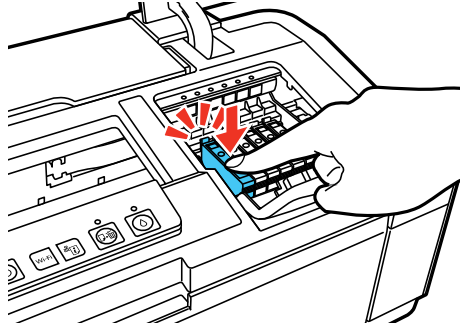
**Caution:** Do not touch the green chip on the cartridge. Install the new cartridge immediately after removing the old one; if you do not, the print head may dry out and be unable to print.

7. Remove the yellow tape from the bottom of the cartridge.

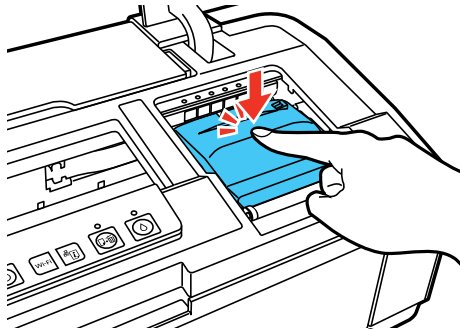


**Caution:** Do not remove any other labels or seals, or ink will leak.

8. Insert the new cartridge into the holder and push it down until it clicks into place.



9. Once you replace all the cartridges that need replacing, close the cartridge cover and the printer cover.



10. Press the  $\Delta$  ink button to begin charging the ink. This takes about 2 minutes.  
When the  $\text{U}$  power light stops flashing and remains on, ink charging is finished.

**Caution:** Never turn off the product while the power light is flashing or you will waste ink.

**Note:** If the  $\Delta$  ink light is on after the print head moves to its home position, the ink cartridge may not be installed properly. Press the  $\Delta$  ink button again, and press down the ink cartridge until it clicks into place.

If you remove a low or expended ink cartridge, you cannot re-install and use the cartridge.

**Caution:** If you remove an ink cartridge for later use, protect the ink supply area from dirt and dust and store it in the same environment as the printer. The valve in the ink supply port is designed to contain any excess ink, but do not touch the ink supply port or surrounding area. Always store ink cartridges with the label facing up; do not store cartridges upside-down.

**Parent topic:** [Replacing Ink Cartridges](#)

**Related concepts**

[Purchase EPSON Ink Cartridges](#)

---

# Adjusting Print Quality

If your print quality declines, you may need to run a utility to clean or align the print head.

If running these utilities does not solve the problem, you may need to replace the ink cartridges.

[Print Head Maintenance](#)

[Print Head Alignment](#)

[Cleaning the Paper Path](#)

**Related topics**

[Replacing Ink Cartridges](#)

## Print Head Maintenance

If your printouts become too light, or you see dark or light bands across them, you may need to clean the print head nozzles. Cleaning uses ink, so clean the nozzles only if print quality declines.

You can check for clogged nozzles before you clean them so you don't clean them unnecessarily.

**Note:** You cannot clean the print head if an ink cartridge is expended, and may not be able to clean it when a cartridge is low. You must replace the cartridge first.

[Print Head Nozzle Check](#)

[Print Head Cleaning](#)

**Parent topic:** [Adjusting Print Quality](#)

**Related topics**

[Replacing Ink Cartridges](#)

## Print Head Nozzle Check

You can print a nozzle check pattern to check for clogged nozzles.


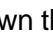
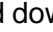
[Checking the Nozzles Using the Product Buttons](#)

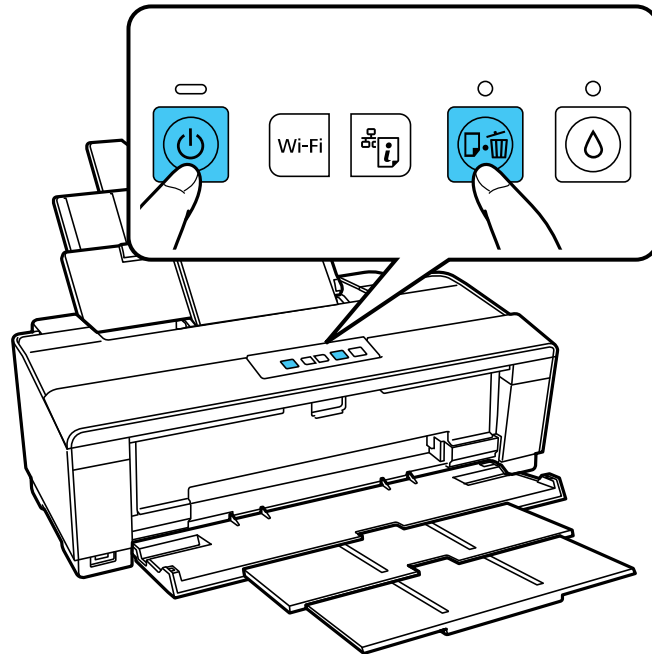
[Checking the Nozzles Using a Computer Utility](#)

**Parent topic:** [Print Head Maintenance](#)

### Checking the Nozzles Using the Product Buttons

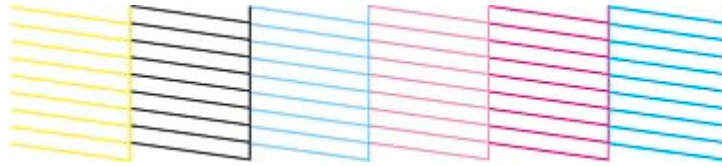
You can check the print head nozzles using the buttons on your product.

1. Make sure that no product lights indicate errors, the CD/DVD tray is not inserted in the product, and the CD/DVD feed tray is closed.
2. Load a few sheets of plain paper in the product.
3. Turn off the product.
4. Hold down the  paper/cancel button as you press the  power button to turn the product back on. Hold down both buttons until the  power light begins to flash, then release the buttons.

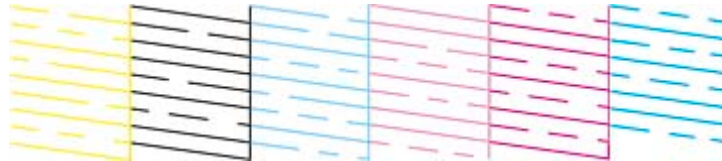


5. Check the printed pattern to see if there are gaps in the lines.

**Print head is clean**



### Print head needs cleaning



6. If there are no gaps, the print head is clean and you can continue printing.  
If there are gaps or the pattern is faint, clean the print head.

**Parent topic:** [Print Head Nozzle Check](#)

### Related concepts

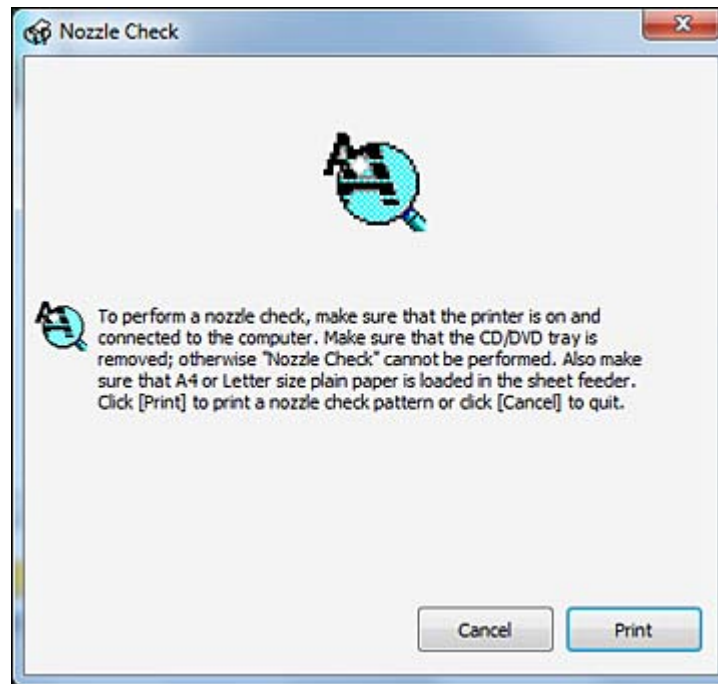
[Print Head Cleaning](#)

## Checking the Nozzles Using a Computer Utility

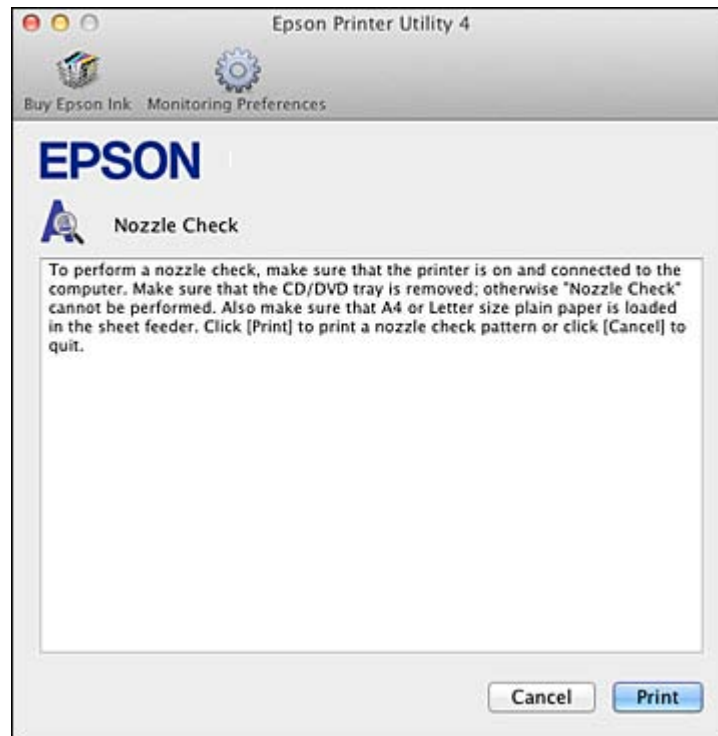
You can check the print head nozzles using a utility on your Windows or Mac computer.

1. Make sure that no product lights indicate errors, the CD/DVD tray is not inserted in the product, and the CD/DVD feed tray is closed.
2. Load a few sheets of plain paper in the product.
3. Do one of the following:
  - **Windows:** Right-click the product icon in the Windows taskbar.
  - **Mac OS X 10.6/10.7:** In the Apple menu or the Dock, select **System Preferences**. Select **Print & Fax** or **Print & Scan**, select your product, and select **Options & Supplies**. Select **Utility** and select **Open Printer Utility**.
  - **Mac OS X 10.4/10.5:** In the Apple menu or the Dock, select **System Preferences**. Select **Print & Fax** or **Print & Scan**, select your product, and select **Open Print Queue** or **Print Queue**. Select **Utility**.
4. Select **Nozzle Check**.

You see one of these windows:

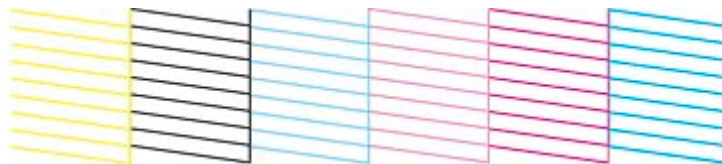




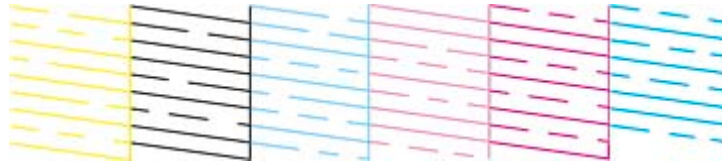


5. Click **Print**.
6. Check the printed pattern to see if there are gaps in the lines.

**Print head is clean**



**Print head needs cleaning**



7. If there are no gaps, click **Finish**.

If there are gaps or the pattern is faint, clean the print head.

**Parent topic:** [Print Head Nozzle Check](#)

**Related concepts**

[Print Head Cleaning](#)

## Print Head Cleaning

If print quality has declined and the nozzle check pattern indicates clogged nozzles, you can clean the print head.

**Note:** You cannot clean the print head if an ink cartridge is expended, and may not be able to clean it when a cartridge is low. You must replace the cartridge first.

[Cleaning the Print Head Using the Product Buttons](#)

[Cleaning the Print Head Using a Computer Utility](#)

**Parent topic:** [Print Head Maintenance](#)

**Related topics**

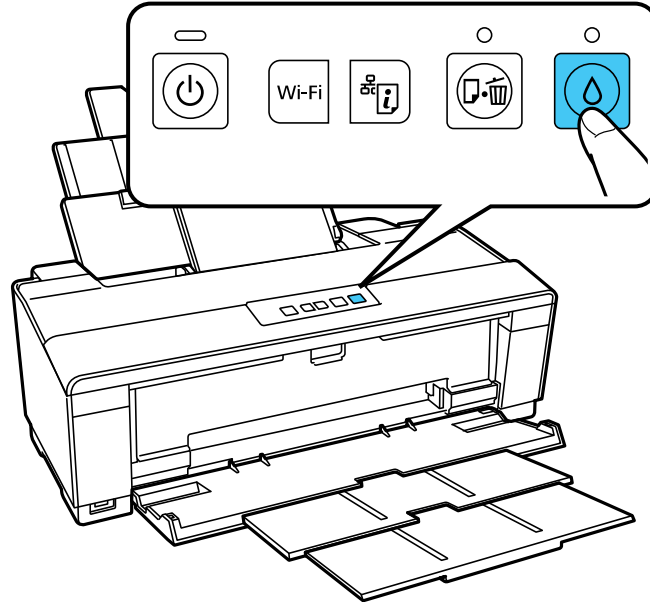
[Replacing Ink Cartridges](#)


### Cleaning the Print Head Using the Product Buttons

You can clean the print head using the buttons on your product.

1. Make sure that no product lights indicate errors, the CD/DVD tray is not inserted in the product, and the CD/DVD feed tray is closed.

2. Hold down the  ink button for 3 seconds to start the cleaning cycle, which lasts around 1 minute.



The  power light flashes throughout the cleaning cycle and stays on when the cleaning cycle is finished.

**Caution:** Never turn off the product during a cleaning cycle or you may damage it.

3. Load a few sheets of plain paper in the product.
4. Run a nozzle check to confirm that the print head is clean.

If you don't see any improvement after cleaning the print head up to 4 times, turn off the product and wait at least 6 hours. Then try cleaning the print head again. If quality still does not improve, one of the ink cartridges may be old or damaged and needs to be replaced.

**Parent topic:** [Print Head Cleaning](#)

**Related concepts**

[Print Head Nozzle Check](#)

## Related topics

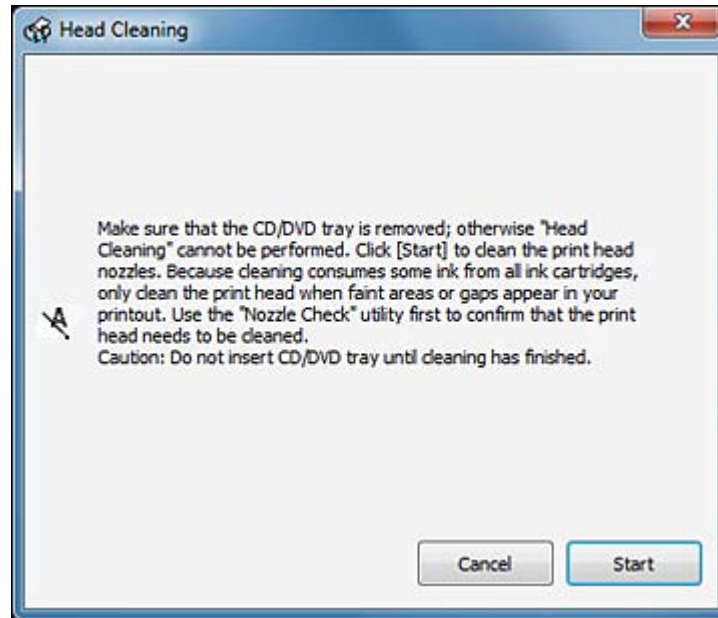
[Replacing Ink Cartridges](#)

### Cleaning the Print Head Using a Computer Utility

You can clean the print head using a utility on your Windows or Mac computer.


1. Make sure that no product lights indicate errors, the CD/DVD tray is not inserted in the product, and the CD/DVD feed tray is closed.
2. Load a few sheets of plain paper in the product.
3. Do one of the following:
  - **Windows:** Right-click the product icon in the Windows taskbar.
  - **Mac OS X 10.6/10.7:** In the Apple menu or the Dock, select **System Preferences**. Select **Print & Fax** or **Print & Scan**, select your product, and select **Options & Supplies**. Select **Utility** and select **Open Printer Utility**.
  - **Mac OS X 10.4/10.5:** In the Apple menu or the Dock, select **System Preferences**. Select **Print & Fax**, select your product, and select **Open Print Queue** or **Print Queue**. Select **Utility**.
4. Select **Head Cleaning**.

You see one of these windows:






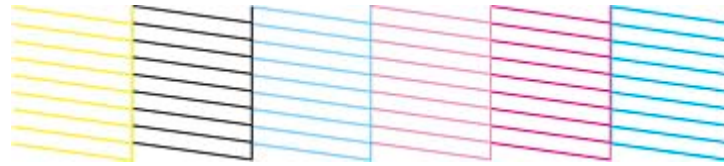
5. Click **Start** to begin the cleaning cycle.

The  power light flashes throughout the cleaning cycle and stays on when the cleaning cycle is finished.

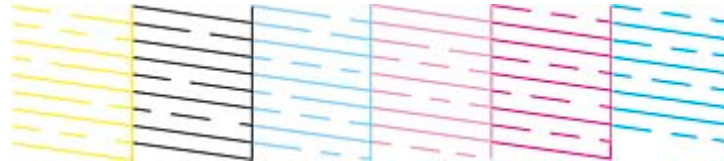
**Caution:** Never turn off the product during a cleaning cycle or you may damage it.

6. When the  power light stops flashing and remains on, you can check to see if the nozzles are clean; click **Print Nozzle Check Pattern** and click **Print**.
7. Check the printed pattern to see if there are gaps in the lines.

**Print head is clean**



### Print head needs cleaning



- If there are no gaps, click **Finish**.
- If there are gaps or the pattern is faint, click **Clean** to clean the print head again.

If you don't see any improvement after cleaning the print head up to 4 times, turn off the product and wait at least 6 hours. Then try cleaning the print head again. If quality still does not improve, one of the ink cartridges may be old or damaged and needs to be replaced.

**Parent topic:** [Print Head Cleaning](#)

#### Related topics

[Replacing Ink Cartridges](#)

## Print Head Alignment

If your printouts become grainy or blurry, you notice misalignment of vertical lines, or you see dark or light horizontal bands, you may need to align the print head.

**Note:** Banding may also occur if your print head nozzles need cleaning.

[Aligning the Print Head Using a Computer Utility](#)

**Parent topic:** [Adjusting Print Quality](#)

#### Related concepts

[Print Head Cleaning](#)

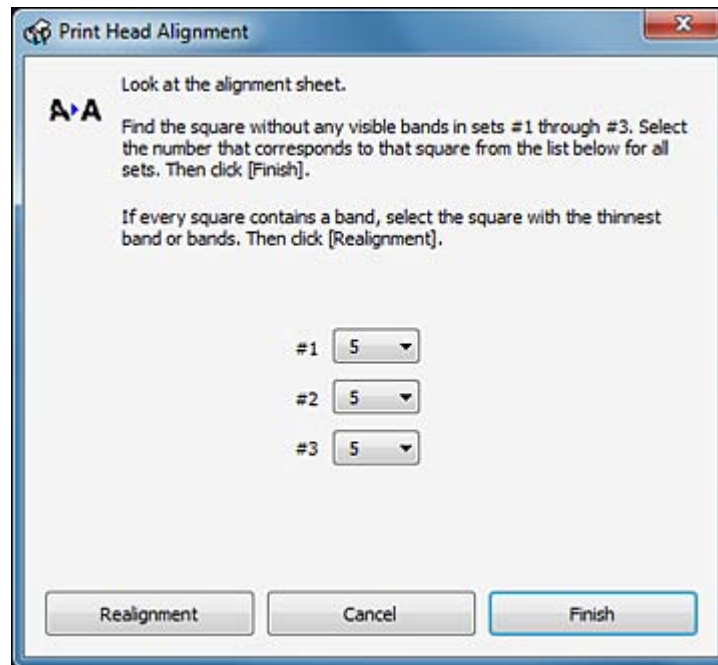
## Aligning the Print Head Using a Computer Utility

You can align the print head using a utility on your Windows computer or Mac.

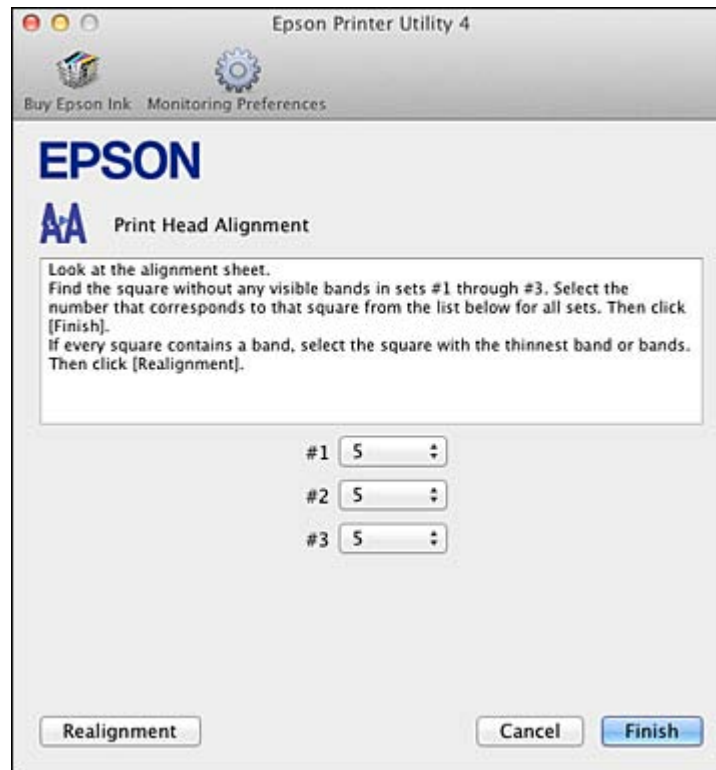
1. Make sure that no product lights indicate errors, the CD/DVD tray is not inserted in the product, and the CD/DVD feed tray is closed.
2. Load a few sheets of plain paper in the product.
3. Do one of the following:
  - **Windows:** Right-click the product icon in the Windows taskbar.
  - **Mac OS X 10.6/10.7:** In the Apple menu or the Dock, select **System Preferences**. Select **Print & Fax** or **Print & Scan**, select your product, and select **Options & Supplies**. Select **Utility** and select **Open Printer Utility**.
  - **Mac OS X 10.4/10.5:** In the Apple menu or the Dock, select **System Preferences**. Select **Print & Fax**, select your product, and select **Open Print Queue** or **Print Queue**. Select **Utility**.
4. Select **Print Head Alignment**.
5. Click **Next**, then click **Print** to print an alignment sheet.

**Note:** Do not cancel printing while you are printing a head alignment pattern.

You see one of these windows:








6. Check the printed pattern and follow the instructions on the screen to choose the number representing the best printed pattern for each set.
7. When you are done choosing each pattern number, click **Finish**.  
If no patterns are aligned in one or more of the sets, choose the closest one in each set and click **Realignment**. Then print another alignment sheet and check it.

Parent topic: [Print Head Alignment](#)

## Cleaning the Paper Path

If you see ink on the back of a printout, you can clean the paper path to remove any excess ink.

1. Make sure that no product lights indicate errors, the CD/DVD tray is not inserted in the product, and the CD/DVD feed tray is closed.

2. Load several sheets of A3-size paper, if available. Otherwise, load several sheets of plain paper.
3. Press the  paper/cancel button to feed and eject paper.
4. Repeat as necessary until the paper comes out clean.

**Parent topic:** [Adjusting Print Quality](#)

---

# Cleaning and Transporting the Product

If your product gets dirty or you need to move it some distance, follow the instructions in these sections.

[Cleaning the Product](#)

[Transporting the Product](#)

## Cleaning the Product

To keep the product working at its best, you should clean it several times a year.

**Caution:** Do not use a hard brush, benzene, alcohol, or paint thinner to clean the product or you may damage it. Do not place anything on top of the cover or use the cover as a writing surface, or it could get permanently scratched. Do not use oil or other lubricants inside the product or let water get inside.

1. Turn off the product.
2. Unplug the power cable.
3. Disconnect any connected cables.
4. Remove any paper from the product.
5. Clean the sheet feeder and paper support using a soft brush or a soft, lint-free cloth (microfiber is recommended).
6. Clean the outer case with a soft cloth dampened with a mild detergent.
7. Plug the power cable back in, and turn on the product.
8. Clean the paper path, if necessary.

**Note:** Close the paper support and the output tray when you are not using the product to protect it from dust.


**Parent topic:** [Cleaning and Transporting the Product](#)

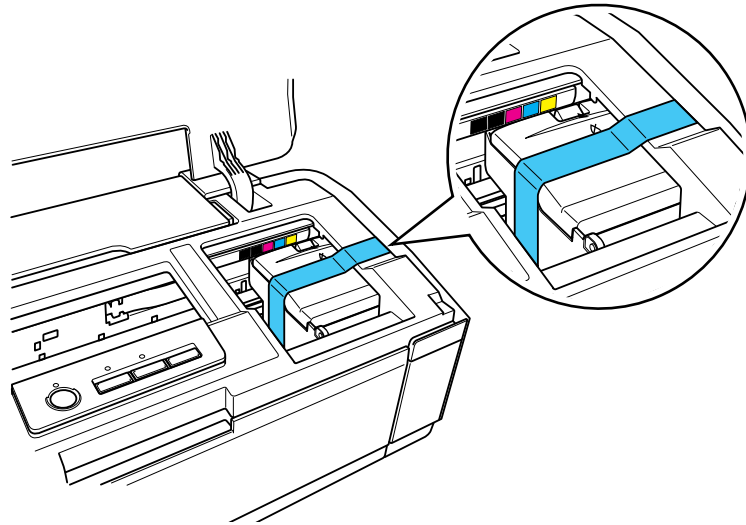
**Related tasks**

[Cleaning the Paper Path](#)

## Transporting the Product

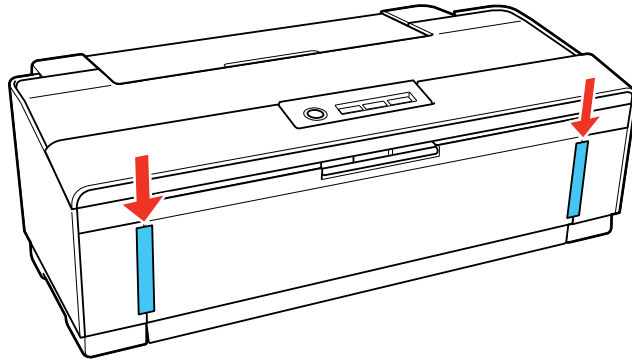
If you need to ship your product or transport it a long distance, prepare it for transportation as follows.

1. Turn off the product.
2. Unplug the power cable.
3. Disconnect any connected cables.
4. Remove any paper from the product.
5. Open the printer cover and check that the ink cartridge holder is all the way to the right (the home position). If necessary, plug in and turn on the product, then turn it off again using the  power button after the ink cartridge holder is in the home position.
6. Fasten the ink cartridge holder to the case using tape. Leave the ink cartridges installed to avoid damaging the product.



**Note:** Some tape may be difficult to remove if left in place for a long time. Remove the tape immediately after transporting the product.

7. Close the printer cover and output tray, then secure both sides of the output tray to the outer case with tape as shown.



8. Pack the product in its original box or one of a similar size using the protective materials that came with it.
9. Keep the product level during transportation; otherwise the ink may leak.
10. After unpacking the product, remove the tape securing the ink cartridge holder and output tray. If print quality has declined when you print again in a new location, clean and align the print head.

**Parent topic:** [Cleaning and Transporting the Product](#)

**Related concepts**

[Print Head Cleaning](#)

[Print Head Alignment](#)

---

# Solving Problems

Check these sections for solutions to problems you may have using your product.

[Checking for Software Updates](#)

[Printer Light Status](#)

[Running a Printer Check](#)

[Solving Setup Problems](#)

[Solving Network Problems](#)

[Solving Paper Problems](#)

[Solving Problems Printing from a Computer](#)

[Solving Page Layout and Content Problems](#)

[Solving Print Quality Problems](#)

[When to Uninstall Your Product Software](#)

[Where to Get Help](#)

## Checking for Software Updates

Periodically, it's a good idea to check Epson's support website for free updates to your product software. You can select **Download the Latest Software** from the Home screen of this manual or visit Epson's driver download site ([U.S. downloads](#) or [Canadian downloads](#)).

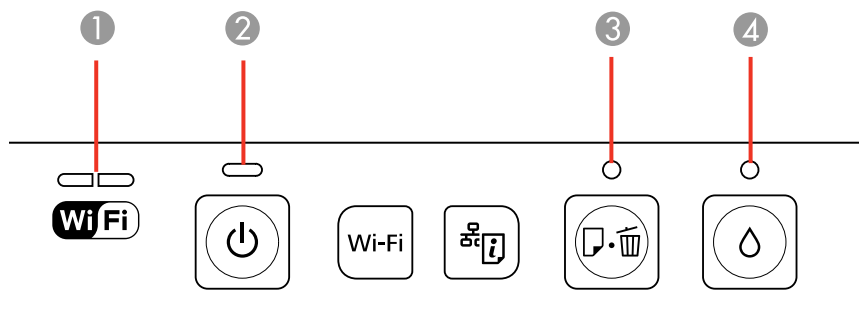
With Windows, your printer software automatically checks for updates. You can also manually update the software by selecting **Driver Update** here:

- Right-clicking the product icon in the Windows taskbar
- On the **Maintenance** tab in the printer settings window
- In the **EPSON** program group under your product name

**Parent topic:** [Solving Problems](#)

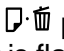



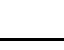
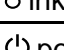
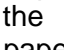
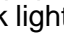

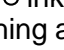


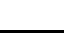
## Printer Light Status

You can often diagnose problems with your printer by checking the printer lights.



Lights	
1	WiFi
2	⏻ power
3	🗑️ paper/cancel
4	💧 ink

Light status	Condition/solution
The ⏻ power light is on	The printer is turned on.
The ⏻ power light is flashing	The printer is busy. Wait for the ⏻ power light to stop flashing before turning off the printer.
The WiFi light is green	The printer is connected to the wireless network.
The WiFi light is orange	Wi-Fi connection error. Press the <b>Wi-Fi</b> button to clear the error and try to connect again.
The 🗑️ paper/cancel light is on	Paper may be out. Load more paper in the sheet feeder and press the 🗑️ paper/cancel button to continue.
	If multiple sheets have fed, press the 🗑️ paper/cancel button to eject the paper.
	If printing on a CD or DVD, the CD/DVD tray is not inserted correctly. Load the CD/DVD tray correctly and press the 🗑️ paper/cancel button.

Light status	Condition/solution
The  paper/cancel light is flashing	Paper has jammed in the printer or the output tray is closed. Remove any jammed paper and make sure the output tray is open, then press the  paper/cancel to resume printing.
	If printing on a CD or DVD, the CD/DVD tray did not eject correctly. Pull out the CD/DVD tray and press the  paper/cancel button.
The  ink light is on	An ink cartridge is not installed, installed incorrectly, expended, or cannot be used with the printer. Make sure all ink cartridges are installed correctly and replace any expended or incompatible ink cartridges.
The  ink light is flashing	An ink cartridge is low. Make sure you have a replacement cartridge.
The  power light is off, and the  paper/cancel and  ink lights are flashing fast	The print head is obstructed by jammed paper or another foreign object and cannot return to the home position. Turn the printer off. Open the printer cover and remove any paper or other obstructions from the paper path. Then turn the printer back on. If the error does not clear, contact Epson.
The  paper/cancel and  ink lights are flashing alternately	The printer's ink pads are nearing or at the end of their service life. Contact Epson to replace the ink pads. If the ink pads are nearing the end of their service life, printing can be resumed by pressing the  paper/cancel button.
The  paper/cancel and  ink lights are on	The firmware update has failed, and the printer is in recovery mode. Visit Epson's support website at <a href="http://www.epson.com/support">www.epson.com/support</a> (U.S.) or <a href="http://www.epson.ca/support">www.epson.ca/support</a> (Canada) for instructions on repeating the firmware update.

**Parent topic:** [Solving Problems](#)

**Related concepts**

[Check Cartridge Status](#)

**Related references**

[Paper Jam Problems](#)

[Where to Get Help](#)

**Related topics**

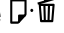


[Replacing Ink Cartridges](#)

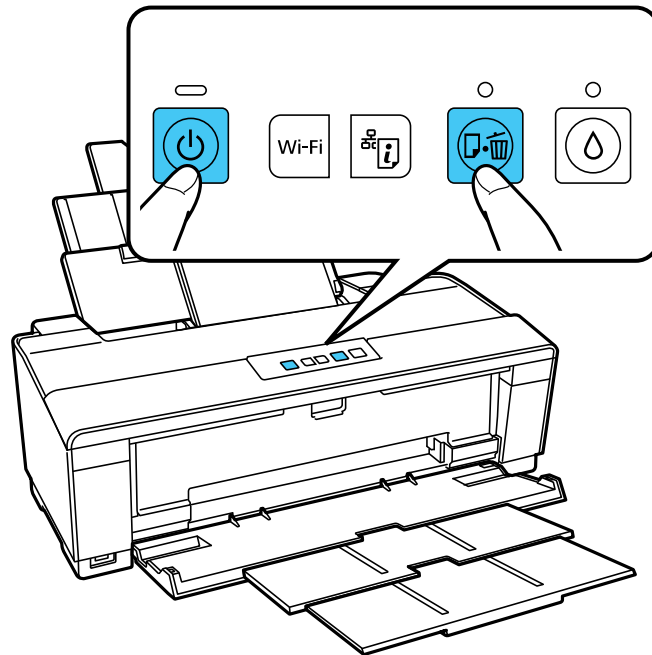
[Loading Paper](#)



## Running a Printer Check

Running a printer check helps you determine if the printer is operating properly.

1. Make sure that the CD/DVD tray is not inserted in the product and the CD/DVD feed tray is closed.
2. Load a few sheets of plain paper in the product.
3. Turn off the product.
4. Disconnect any connected interface cables.
5. Hold down the  paper/cancel button as you press the  power button to turn the product back on. Hold down both buttons until the  power light begins to flash, then release the buttons.



The printer begins printing a nozzle check pattern.

6. Do the following, depending on the results of the printer check:
  - If the page prints and the nozzle check pattern is complete, the printer is operating properly. Any printing problem you may have could be caused by your computer, cable, software, or selected

print settings. Check the other solutions in this section or try uninstalling and reinstalling your printer software.

- If the page prints but the nozzle check pattern has gaps, clean or align the print head.
- If the page does not print, the printer may have a problem. Check the other solutions in this manual. If they do not work, contact Epson.

**Parent topic:** [Solving Problems](#)

**Related concepts**

[When to Uninstall Your Product Software](#)

[Print Head Cleaning](#)

[Print Head Alignment](#)

**Related references**

[Where to Get Help](#)

## Solving Setup Problems

Check these sections if you have problems while setting up your product.


[Noise After Ink Installation](#)

[Software Installation Problems](#)

**Parent topic:** [Solving Problems](#)

## Noise After Ink Installation

If you hear noises from your product after installing ink, check these explanations:

- The first time you install ink cartridges, the product must prime its print head. Wait until priming finishes before you turn off the product, or it may prime improperly and use excess ink the next time you turn it on. Your product is finished priming the print head when the  power light stops flashing.
- If the product's print head stops moving or making noise, and the charging process has not finished after approximately 5 minutes, turn off your product. Turn it back on and check to see if charging is still in progress. If it is still in progress, contact Epson for help.

**Parent topic:** [Solving Setup Problems](#)

**Related topics**

[Replacing Ink Cartridges](#)

## Software Installation Problems

If you have problems while installing your product software, try these solutions:

- Make sure your product is turned on and the USB cable is securely connected at both ends. If you still have problems installing software, disconnect the cable and carefully follow the instructions on the *Start Here* sheet. Also make sure your system meets the requirements for your operating system.
- Close any other programs, including screen savers and virus protection software, and install your product software again.
- In Windows, make sure your product is selected as the default printer and the correct port is shown in the printer properties.
- If you see any error message or your software does not install correctly in Windows, you may not have software installation privileges. Contact your System Administrator.

**Parent topic:** [Solving Setup Problems](#)

### Related concepts

[When to Uninstall Your Product Software](#)

### Related references

[Windows System Requirements](#)

[Mac System Requirements](#)

## Solving Network Problems

Check these solutions if you have problems setting up or using your product on a network.

[Product Cannot Connect to a Wireless Router or Access Point](#)

[Network Software Cannot Find Product on a Network](#)

[Product Does Not Appear in Mac OS X Printer Window](#)

[Cannot Print Over a Network](#)

[Printing a Network Status Sheet](#)

**Parent topic:** [Solving Problems](#)

## Product Cannot Connect to a Wireless Router or Access Point

If your product has trouble finding or connecting to a wireless router or access point, try these solutions :

- Make sure to place your product within contact range of your router or access point.

**Note:** Avoid placing your product near a microwave oven, 2.4 GHz cordless phone, or large metal object, such as a filing cabinet.

- Verify that your router or access point is operating correctly by connecting to it from your computer or another device.
- You may need to disable the firewall and any anti-virus software on your wireless router or access point.
- Check to see if access restrictions, such as MAC address filtering, are set on the router or access point. If access restrictions are set, add your product's MAC address to your router's address list. To obtain your product's MAC address, print a network status sheet. Then follow the instructions in your router or access point documentation to add the address to the list.
- If your router or access point does not broadcast its network name (SSID), follow the instructions that came with your product to enter your wireless network name manually.
- If your router or access point has security enabled, determine the kind of security it is using and any required password or passphrase for connection. Then make sure to enter the exact WEP key or WPA passphrase correctly.

**Parent topic:** [Solving Network Problems](#)

## Network Software Cannot Find Product on a Network

If EpsonNet Setup cannot find your product on a network, try these solutions:

- Make sure your product is turned on and connected to your network. Verify connection using your product control panel.
- If necessary, reinstall your product software and try running EpsonNet Setup again.

**Parent topic:** [Solving Network Problems](#)

## Product Does Not Appear in Mac OS X Printer Window

If your product does not appear in the Mac OS X printer window, try these solutions:

- Turn your product off, wait 30 seconds, then turn it back on again.
- If you are connecting the product via Wi-Fi Protected Setup (WPS) and the WiFi light on your product is not solid green, make sure you press the **Wi-Fi** button on the product within 2 minutes of pressing the WPS button on your router. Hold down the **Wi-Fi** button on the product for 3 seconds.
- If you are connecting the product via EpsonNet Setup and the WiFi light on your product is not solid green, make sure your product software was installed correctly. If necessary, reinstall your software.

**Parent topic:** [Solving Network Problems](#)

## Cannot Print Over a Network

If you cannot print over a network, try these solutions:

- Make sure that your product is turned on.
- Make sure you install your product's network software as described in your product documentation.
- Print a network status sheet and verify that the network settings are correct. If the network status is **Disconnected**, check any cable connections and turn your product off and then on again.
- If you are using TCP/IP, make sure the product's IP address is set correctly for your network. If your network does not assign IP addresses using DHCP, set the IP address manually.
- Make sure your computer and product are both using the same wireless network.
- If network printing is slow, print a network status sheet and check the signal strength. If it is poor, place your product closer to your router or access point.

**Note:** Avoid placing your product near a microwave oven, 2.4 GHz cordless phone, or large metal object, such as a filing cabinet.

- If you are connecting the product via Wi-Fi Protected Setup (WPS) and the WiFi light on your product is not solid green, make sure you press the **Wi-Fi** button on the product within 2 minutes of pressing the WPS button on your router. Hold down the **Wi-Fi** button on the product for 3 seconds.
- If you are connecting the product via EpsonNet Setup and the WiFi light on your product is not solid green, make sure your product software was installed correctly. If necessary, reinstall your software.

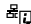
**Parent topic:** [Solving Network Problems](#)

### Related tasks

[Printing a Network Status Sheet](#)

## Printing a Network Status Sheet

You can print a network status sheet to help you determine the causes of any problems you may have using your product on a network.

To print the status sheet, press the  network status button on the product. Examine the settings shown on the network status sheet to diagnose any problems you have.

**Parent topic:** [Solving Network Problems](#)

## Solving Paper Problems

Check these sections if you have problems using paper with your product.

[Paper Feeding Problems](#)

[Paper Jam Problems](#)

[Paper Ejection Problems](#)

**Parent topic:** [Solving Problems](#)

## Paper Feeding Problems

If you have problems feeding paper, try these solutions:

- If paper does not feed for printing, remove it. Then reload it in the sheet feeder against the right side and beneath the tab. Slide the edge guide against the edge of the paper, making sure that the paper stack is not above the arrow mark on the edge guide.
- If multiple pages feed at once, remove the paper, fan the edges to separate the sheets, and reload it.
- If paper jams when you load only one or two sheets, try loading more sheets at a time. Do not load more than the recommended number of sheets.
- If paper jams when you print on both sides of the paper, try loading fewer sheets.
- For best results, follow these guidelines:
  - Use new, smooth, high-quality paper that is not curled, creased, old, too thin, or too thick.
  - Load paper in the sheet feeder printable side up.
  - Do not load paper with holes punched in it.
  - Follow any special loading instructions that came with the paper.

**Parent topic:** [Solving Paper Problems](#)

### Related references

[Paper Jam Problems](#)

[Paper Loading Capacity](#)




### Related topics

[Loading Paper](#)

## Paper Jam Problems

If you have problems with paper jams, follow these steps:

1. Cancel the print job from your computer, if necessary.
2. Gently pull out any jammed paper from the sheet feeder.

3. Press the  paper/cancel button to resume printing. If the product lights still show an error, continue with the next step.
4. Press the  power button to turn the product off.
5. Open the printer cover.
6. Remove any jammed paper, including torn pieces.
7. Close the printer cover and press the  power button to turn the product back on.
8. Carefully follow all paper loading instructions when you load new paper.

**Parent topic:** [Solving Paper Problems](#)

## Paper Ejection Problems

If you have problems with paper ejecting properly, try these solutions:

- If paper does not eject fully, you may have set the wrong paper size. Cancel printing to eject the paper. Select the correct paper size when you reprint.
- If paper is wrinkled when it ejects, it may be damp or too thin. Load new paper and be sure to select the correct paper type setting when you reprint.

**Parent topic:** [Solving Paper Problems](#)

### Related references

[Paper Jam Problems](#)

[Paper or Media Type Settings](#)

### Related tasks

[Cancelling Printing Using a Product Button](#)

### Related topics

[Loading Paper](#)

## Solving Problems Printing from a Computer

Check these sections if you have problems while printing from your computer.

[Nothing Prints](#)

[Noise Occurs, But Nothing Prints](#)

[Noise When Product Sits for a While](#)

[Product Icon Does Not Appear in Windows Taskbar](#)



[Error After Cartridge Replacement](#)

## Printing is Slow

Parent topic: [Solving Problems](#)

### Nothing Prints

If you have sent a print job and nothing prints, try these solutions:

- Make sure your product is turned on.
- Make sure any interface cables are connected securely at both ends.
- If you connected your product to a USB hub, make sure it is a first-tier hub. If it still does not print, connect your product directly to your computer instead of the hub.
- Run a product check to see if a test page prints. If the test page prints, check to see if your product software is installed correctly.
- In Windows, make sure your product is selected as the default printer.
- In Windows, clear any stalled print jobs from the Windows Spooler:
  - **Windows 7:** Click  and select **Devices and Printers**. Right-click your product name, select **See what's printing**, select your product name again if necessary, right-click the stalled print job, click **Cancel**, and click **Yes**.
  - **Windows Vista:** Click  and select **Control Panel**. Click **Printer** under **Hardware and Sound**, right-click your product name, select **Open**, right click the stalled print job, click **Cancel**, and click **Yes**.
  - **Windows XP:** Click **Start** and select **Printers and Faxes**. (Or open the **Control Panel**, select **Printers and Other Hardware** if necessary, and select **Printers and Faxes**.) Right-click your product name, select **Open**, right-click the stalled print job, click **Cancel**, and click **Yes**.

Parent topic: [Solving Problems Printing from a Computer](#)

### Noise Occurs, But Nothing Prints

If your product makes a printing noise, but nothing prints, try these solutions:

- Run a print head nozzle check to see if any of the nozzles are clogged. Then clean the print head, if necessary.
- Your product will not operate properly while tilted at an angle. Place it on a flat, stable surface that extends beyond the base of the product in all directions.

Parent topic: [Solving Problems Printing from a Computer](#)



## Noise When Product Sits for a While



Your product is performing routine maintenance. This is normal.

**Parent topic:** [Solving Problems Printing from a Computer](#)

## Product Icon Does Not Appear in Windows Taskbar

If you do not see your product icon in the Windows taskbar, first try restarting your computer. If that does not work, try this solution:

1. Do one of the following:

- **Windows 7:** Click  and select **Devices and Printers**.
- **Windows Vista:** Click , select **Control Panel**, and click **Printer** under **Hardware and Sound**.
- **Windows XP:** Click **Start** and select **Printers and Faxes**. (Or open the **Control Panel**, select **Printers and Other Hardware** if necessary, and **Printers and Faxes**.)

2. Right-click your product name, select **Printing Preferences**, and select your product name again if necessary.

3. Click the **Maintenance** tab.

4. Click the **Speed & Progress** or **Extended Settings** button.

5. Click the **Monitoring Preferences** button.

6. Click the **Shortcut Icon** box.

7. Click **OK** to close the open program windows.

**Parent topic:** [Solving Problems Printing from a Computer](#)

## Error After Cartridge Replacement

If you see an error light or error message after you replace an ink cartridge, follow these steps:

1. Remove and reinsert the ink cartridge you replaced, making sure to push it all the way into its slot.

2. Complete the ink cartridge installation steps.

**Parent topic:** [Solving Problems Printing from a Computer](#)

### Related topics

[Replacing Ink Cartridges](#)

## Printing is Slow

If printing becomes slow, try these solutions:

- Make sure your system meets the requirements for your operating system. If you are printing a high-resolution image, you may need more than the minimum requirements. If necessary, increase your system's memory.
- If you are using Windows 7, close the **Devices and Printers** window before you print.
- Clear space on your hard drive or run a defragmentation utility to free up existing space.
- Close any programs you are not using when you print.
- If your product is connected to a USB hub, connect it directly to your computer instead.
- If printing becomes slower after printing continuously for a long time, the product may have automatically slowed down to protect the print mechanism from overheating or becoming damaged. Let the product rest with the power on for 30 minutes, then try printing again.

For the fastest printing, select the following settings in your product software:

- Make sure the paper type setting matches the type of paper you loaded.
- Turn on any high speed settings in your product software.
- Select a lower print quality setting.
- **Windows:** Click the **Maintenance** tab, select **Speed & Progress** or **Extended Settings**, and select the following settings:
  - **High Speed Copies**
  - **Always spool RAW datatype**
  - **Page Rendering Mode**
  - **Print as Bitmap**

**Parent topic:** [Solving Problems Printing from a Computer](#)

### Related references

[Windows System Requirements](#)

[Mac System Requirements](#)

[Paper or Media Type Settings](#)

### Related tasks

[Selecting Basic Print Settings - Windows](#)

[Selecting Basic Print Settings - Mac OS X 10.5/10.6/10.7](#)

## Solving Page Layout and Content Problems

Check these sections if you have problems with the layout or content of your printed pages.

[Inverted Image](#)

[Too Many Copies Print](#)

[Blank Pages Print](#)

[Incorrect Margins on Printout](#)

[Incorrect Characters Print](#)

[Incorrect Image Size or Position](#)

[Slanted Printout](#)

**Parent topic:** [Solving Problems](#)

### Inverted Image

If your printed image is inverted unexpectedly, try these solutions:

- Turn off any mirror or inversion settings in your printing application.
- Turn off the **Mirror Image**, **Flip horizontally**, or **Reverse page orientation** settings in your printer software. (This option has different names, depending on your operating system version.)

**Note:** Leave these options turned on when you print on EPSON Iron-on Cool Peel Transfer paper, if available for your product.

**Parent topic:** [Solving Page Layout and Content Problems](#)

#### Related tasks

[Selecting Print Layout Options - Windows](#)

[Selecting Basic Print Settings - Mac OS X 10.5/10.6/10.7](#)

[Selecting Basic Print Settings - Mac OS X 10.4](#)

### Too Many Copies Print

Make sure that the **Copies** setting in your printing program or printer software is not set for multiple copies.

**Parent topic:** [Solving Page Layout and Content Problems](#)

## Blank Pages Print

If blank pages print unexpectedly, try these solutions:

- Make sure you selected the correct paper size settings in your printing program and printer software.
- If a blank page exists in a document you are printing and you want to skip printing it, select the **Skip Blank Page** setting in your printer software.
- Run a print head nozzle check to see if any of the nozzles are clogged. Then clean the print head, if necessary.
- Make sure your product is selected as the printer in your printing program.

**Parent topic:** [Solving Page Layout and Content Problems](#)

### Related concepts

[Print Head Nozzle Check](#)

[Print Head Cleaning](#)

### Related tasks

[Selecting Basic Print Settings - Windows](#)

[Selecting Basic Print Settings - Mac OS X 10.5/10.6/10.7](#)

[Selecting Page Setup Settings - Mac OS X 10.4](#)

[Selecting Printing Preferences - Mac OS X 10.5/10.6/10.7](#)

[Selecting Printing Preferences - Mac OS X 10.4](#)

## Incorrect Margins on Printout

If your printed page has incorrect margins, try these solutions:

- Make sure you selected the correct paper size settings in your printing program and printer software.
- Make sure you selected the correct margins for your paper size in your printing program.
- Make sure your paper is positioned correctly for feeding into the printer.

You can use the preview option in your printer software to check your margins before you print.

**Parent topic:** [Solving Page Layout and Content Problems](#)

### Related tasks

[Selecting Basic Print Settings - Windows](#)

[Selecting Basic Print Settings - Mac OS X 10.5/10.6/10.7](#)



[Selecting Page Setup Settings - Mac OS X 10.4](#)

## Related topics

[Loading Paper](#)

## Incorrect Characters Print

If incorrect characters appear in your prints, try these solutions before reprinting:

- Make sure any cables are securely connected at both ends.
- In Windows, delete all print jobs from the Windows Spooler:
  - **Windows 7:** Click  and select **Devices and Printers**. Right-click your product name, select **See what's printing**, select your product name again if necessary, right-click the stalled print job, click **Cancel**, and click **Yes**.
  - **Windows Vista:** Click  and select **Control Panel**. Click **Printer** under **Hardware and Sound**, right-click your product name, select **Open**, right click the stalled print job, click **Cancel**, and click **Yes**.
  - **Windows XP:** Click **Start** and select **Printers and Faxes**. (Or open the **Control Panel**, select **Printers and Other Hardware** if necessary, and select **Printers and Faxes**.) Right-click your product name, select **Open**, right-click the stalled print job, click **Cancel**, and click **Yes**.
- Make sure your product is selected as the printer in your printing program.
- If your product is connected to a USB hub, connect it directly to your computer instead.

**Parent topic:** [Solving Page Layout and Content Problems](#)

## Incorrect Image Size or Position

If your printed image is the wrong size or in the wrong position, try these solutions:

- Make sure you selected the correct paper size and layout settings in your printing program and printer software.
- Make sure your paper is positioned correctly for feeding into the printer.

You can use the preview option in your printer software to check your margins before you print.

**Parent topic:** [Solving Page Layout and Content Problems](#)

### Related tasks

[Selecting Basic Print Settings - Windows](#)

[Selecting Basic Print Settings - Mac OS X 10.5/10.6/10.7](#)

[Selecting Page Setup Settings - Mac OS X 10.4](#)

[Selecting Print Layout Options - Windows](#)

[Selecting Print Layout Options - Mac OS X 10.5/10.6/10.7](#)

[Selecting Print Layout Options - Mac OS X 10.4](#)

**Related topics**

[Loading Paper](#)

## Slanted Printout

If your printouts are slanted, try these solutions:

- Slide the edge guide against the edge of the paper.
- Select a higher print quality setting in your printer software.
- Align the print head.
- Make sure the product is not printing while tilted or at an angle.

**Parent topic:** [Solving Page Layout and Content Problems](#)

**Related tasks**

[Selecting Basic Print Settings - Mac OS X 10.5/10.6/10.7](#)

[Selecting Advanced Print Settings - Windows](#)

[Selecting Basic Print Settings - Mac OS X 10.5/10.6/10.7](#)

[Selecting Basic Print Settings - Mac OS X 10.4](#)

**Related topics**

[Loading Paper](#)

## Solving Print Quality Problems

Check these sections if your printouts have problems with print quality, but your image looks fine on your computer screen.

[White or Dark Lines in Printout](#)

[Blurry or Smearred Printout](#)

[Faint Printout or Printout Has Gaps](#)

[Grainy Printout](#)

[Incorrect Colors](#)

**Parent topic:** [Solving Problems](#)

## White or Dark Lines in Printout

If you notice white or dark lines in your prints (also called banding), try these solutions before you reprint:

- Run a nozzle check to see if any of the print head nozzles are clogged. Then clean the print head, if necessary.
- Make sure the paper type setting matches the type of paper you loaded.
- Make sure you loaded the printable side of the paper faceup.
- Turn off any high speed settings in your product software.
- Align the print head.
- You may need to replace the ink cartridges.

**Parent topic:** [Solving Print Quality Problems](#)

### Related concepts

[Print Head Cleaning](#)

[Print Head Alignment](#)

### Related references

[Paper or Media Type Settings](#)

### Related tasks

[Selecting Advanced Print Settings - Windows](#)

[Selecting Printing Preferences - Mac OS X 10.5/10.6/10.7](#)

[Selecting Printing Preferences - Mac OS X 10.4](#)

### Related topics

[Replacing Ink Cartridges](#)

## Blurry or Smearred Printout

If your printouts are blurry or smeared, try these solutions:

- Make sure your paper is not damp, curled, old, or loaded facedown in the sheet feeder (the printable side should be faceup).
- Use a support sheet with special paper, or load special paper one sheet at a time.
- Make sure your paper meets the specifications for your product.
- Use EPSON papers to ensure proper saturation and absorption of genuine EPSON inks.
- Make sure the paper type setting in your product software matches the type of paper you loaded.

- Remove each sheet from the output tray as it is printed.
- Avoid handling printouts on glossy paper right after printing to allow the ink to set.
- Turn off any high speed settings in your product software.
- If you print on both sides of a sheet of paper, smudges may appear on the reverse side of heavily saturated or dark images. If one side of a sheet will contain a lighter image or text, print that side first.
- Run a nozzle check to see if any of the print head nozzles are clogged. Then clean the print head, if necessary.
- Align the print head.
- Clean the paper path.

**Note:** Your product will not operate properly while tilted at an angle. Place it on a flat, stable surface that extends beyond the base of the product in all directions.

**Parent topic:** [Solving Print Quality Problems](#)

**Related concepts**

[Print Head Cleaning](#)

[Print Head Alignment](#)

**Related references**

[Available EPSON Papers](#)

[Paper Specifications](#)

**Related tasks**

[Selecting Basic Print Settings - Windows](#)

[Selecting Advanced Print Settings - Windows](#)

[Selecting Basic Print Settings - Mac OS X 10.5/10.6/10.7](#)

[Selecting Basic Print Settings - Mac OS X 10.4](#)

[Selecting Printing Preferences - Mac OS X 10.5/10.6/10.7](#)

[Selecting Printing Preferences - Mac OS X 10.4](#)

[Cleaning the Paper Path](#)

**Related topics**

[Loading Paper](#)



## Faint Printout or Printout Has Gaps

If your printouts are faint or have gaps, try these solutions:

- Run a nozzle check to see if any of the print head nozzles are clogged. Then clean the print head, if necessary.
- The ink cartridges may be old or low on ink, and you may need to replace them.
- Make sure the paper type setting matches the type of paper you loaded.
- Make sure your paper is not damp, curled, old, or loaded facedown in the sheet feeder (the printable side should be faceup).
- Align the print head.
- Clean the paper path.

**Parent topic:** [Solving Print Quality Problems](#)

### Related concepts

[Print Head Cleaning](#)

### Related tasks

[Selecting Basic Print Settings - Windows](#)

[Selecting Basic Print Settings - Mac OS X 10.5/10.6/10.7](#)

[Selecting Basic Print Settings - Mac OS X 10.4](#)

[Cleaning the Paper Path](#)

### Related topics

[Replacing Ink Cartridges](#)

[Loading Paper](#)

## Grainy Printout

If your printouts are grainy, try these solutions:

- Make sure you loaded the printable side of the paper faceup in the sheet feeder.
- Select a higher print quality setting and turn off any high speed settings in your product software.
- Run a nozzle check to see if any of the print head nozzles are clogged. Then clean the print head, if necessary.
- Align the print head.
- You may need to increase the image resolution or print a smaller size; see your software documentation.

**Parent topic:** [Solving Print Quality Problems](#)

**Related concepts**

[Print Head Alignment](#)

**Related tasks**

[Selecting Advanced Print Settings - Windows](#)

[Selecting Basic Print Settings - Mac OS X 10.5/10.6/10.7](#)

[Selecting Basic Print Settings - Mac OS X 10.4](#)

[Selecting Printing Preferences - Mac OS X 10.5/10.6/10.7](#)

[Selecting Printing Preferences - Mac OS X 10.4](#)

**Related topics**

[Loading Paper](#)

## Incorrect Colors

If your printouts have incorrect colors, try these solutions:

- Make sure the **Black/Grayscale** or **Grayscale** setting is not selected in your printer software.
- Run a nozzle check to see if any of the print head nozzles are clogged. Then clean the print head, if necessary.
- The ink cartridges may be old or low on ink, and you may need to replace them.
- Your printed colors can never exactly match your on-screen colors. However, you can use a color management system to get as close as possible. Try using the color management options in your printer software.
- For best results, use genuine EPSON ink and paper.

**Parent topic:** [Solving Print Quality Problems](#)

**Related concepts**

[Print Head Cleaning](#)

**Related references**

[Available EPSON Papers](#)

**Related tasks**

[Selecting Advanced Print Settings - Windows](#)

[Managing Color - Mac OS X 10.5/10.6/10.7](#)

[Managing Color - Mac OS X 10.4](#)

## Related topics

[Replacing Ink Cartridges](#)

## When to Uninstall Your Product Software

If you have a problem that requires you to uninstall and re-install your software, follow the instructions for your operating system.


[Uninstalling Printing Software - Windows](#)

[Uninstalling Product Software - Mac OS X](#)

**Parent topic:** [Solving Problems](#)

## Uninstalling Printing Software - Windows

You can uninstall and then re-install your printer software to solve certain problems.

1. Turn off the product.
2. Disconnect any interface cables.
3. Click  or **Start**, and select **All Programs** or **Programs**.
4. Select **EPSON**, select your product, then click **EPSON Printer Software Uninstall**.

**Note:** If you see a **User Account Control** window, click **Yes** or **Continue**.

5. In the next window, select your product and click **OK**. Then follow any on-screen instructions to uninstall your printer software and utilities.
6. Restart your computer, then see the *Start Here* sheet to re-install your software.

**Note:** If you find that re-installing your product software does not solve a problem, contact Epson.

**Parent topic:** [When to Uninstall Your Product Software](#)

## Uninstalling Product Software - Mac OS X

In most cases, you do not need to uninstall your product software before re-installing it. However, you can download the Uninstall Center utility from the Epson support website to uninstall your product software as described here.

**Note:** If you find that re-installing your product software does not solve a problem, contact Epson.

1. To download the Uninstall Center utility, visit the Epson download site ([U.S. downloads](#) or [Canadian downloads](#)).
2. Follow the instructions on the screen to install the Uninstall Center.
3. Quit all applications currently running on your Mac.
4. Select the checkbox for each software program you want to uninstall.
5. Click **Uninstall**.
6. Follow the on-screen instructions to uninstall the software.
7. To reinstall your product software, see the *Start Here* sheet for instructions.

**Note:** If you uninstall the printer driver and your product name remains in the Print & Fax or Print & Scan window, select your product name and click the – (remove) icon to remove it.

**Parent topic:** [When to Uninstall Your Product Software](#)

## Where to Get Help

If you need to contact Epson for technical support services, use the following support options.

### Internet Support

Visit Epson's support website at [www.epson.com/support](http://www.epson.com/support) (U.S.) or [www.epson.ca/support](http://www.epson.ca/support) (Canada) for solutions to common problems. You can download drivers and documentation, get FAQs and troubleshooting advice, or e-mail Epson with your questions.

### Speak to a Support Representative

Before you call Epson for support, please have the following information ready:

- Product name
- Product serial number (located on a label on the product)
- Proof of purchase (such as a store receipt) and date of purchase
- Computer configuration
- Description of the problem

Then call:

- U.S.: (562) 276-7282, 6 AM to 8 PM, Pacific Time, Monday through Friday, and 7 AM to 4 PM, Pacific Time, Saturday

- Canada: (905) 709-2567, 6 AM to 8 PM, Pacific Time, Monday through Friday

Days and hours of support are subject to change without notice. Toll or long distance charges may apply.

### **Purchase Supplies and Accessories**

You can purchase genuine EPSON ink and paper at EPSON Supplies Central at [www.epson.com/ink3](http://www.epson.com/ink3) (U.S. sales) or [www.epson.ca](http://www.epson.ca) (Canadian sales). You can also purchase supplies from an EPSON authorized reseller. To find the nearest one, call 800-GO-EPSON (800-463-7766).

**Parent topic:** [Solving Problems](#)

---

# Technical Specifications

These sections list the technical specifications for your product.

**Note:** Epson offers a recycling program for end of life products. Please go to [www.epson.com/recycle](http://www.epson.com/recycle) for information on how to return your products for proper disposal.

[Windows System Requirements](#)

[Mac System Requirements](#)

[Printing Specifications](#)

[Paper Specifications](#)

[Printable Area Specifications](#)

[Ink Cartridge Specifications](#)

[Dimension Specifications](#)

[Electrical Specifications](#)

[Environmental Specifications](#)

[Interface Specifications](#)

[Network Interface Specifications](#)

[Safety and Approvals Specifications](#)

## Windows System Requirements

To use your product and its software, your computer should use one of these operating systems:

- Microsoft Windows 7
- Windows Vista
- Windows XP Professional x64 Edition
- Windows XP SP1 or higher

**Note:** Visit Epson's support website at [www.epson.com/support](http://www.epson.com/support) (U.S.) or [www.epson.ca/support](http://www.epson.ca/support) (Canada) for the latest in compatibility and drivers for your product.

**Parent topic:** [Technical Specifications](#)

## Mac System Requirements

To use your product and its software, your Mac should use one of these operating systems:

- Mac OS X 10.4.11
- Mac OS X 10.5.8
- Mac OS X 10.6.x
- Mac OS X 10.7.x

**Note:** Visit Epson's support website at [www.epson.com/support](http://www.epson.com/support) (U.S.) or [www.epson.ca/support](http://www.epson.ca/support) (Canada) for the latest in compatibility and drivers for your product.

**Parent topic:** [Technical Specifications](#)

## Printing Specifications

<b>Paper path</b>	Sheet feeder, top entry
<b>Sheet feeder capacity</b>	Approximately 100 sheets at 20 lb (75 g/m <sup>2</sup> )

**Parent topic:** [Technical Specifications](#)

## Paper Specifications

Use paper under normal conditions:

- Temperature: 59 to 77 °F (15 to 25 °C)
- Humidity: 40 to 60% RH

**Note:** Since the quality of any particular brand or type of paper may be changed by the manufacturer at any time, Epson cannot guarantee the quality of any non-Epson brand or type of paper. Always test a sample of paper stock before purchasing large quantities or printing large jobs.

## Single-sheets

<b>Size</b>	A4 (8.3 × 11.7 inches [210 × 297 mm]) A6 (4.1 × 5.8 inches [105 × 148 mm]) Letter (8.5 × 11 inches [216 × 279 mm]) Legal (8.5 × 14 inches [216 × 357 mm]) 4 × 6 inches (102 × 152 mm) 5 × 7 inches (127 × 178 mm) 8 × 10 inches (203 × 254 mm) 3.5 × 5 inches (89 × 127 mm) 16:9 wide (4 × 7.1 inches [102 × 434 mm]) Half Letter (5.5 × 8.5 inches [140 × 279 mm]) 11 × 14 inches (279 × 356 mm) 11 × 17 inches (279 × 432 mm) 11.7 × 16.5 inches (297 × 420 mm) 12 × 12 inches (305 × 305 mm) 13 × 19 inches (330 × 483 mm)
<b>Paper types</b>	Plain paper and paper distributed by Epson
<b>Thickness</b>	0.003 to 0.004 inch (0.08 to 0.11 mm)
<b>Weight</b>	17 lb (64 g/m <sup>2</sup> ) to 24 lb (90 g/m <sup>2</sup> )

## Envelopes

<b>Size</b>	No. 10 (4.1 × 9.5 inches [105 × 241 mm])
<b>Paper types</b>	Plain bond paper
<b>Weight</b>	20 lb (75 g/m <sup>2</sup> ) to 24 lb (90 g/m <sup>2</sup> )

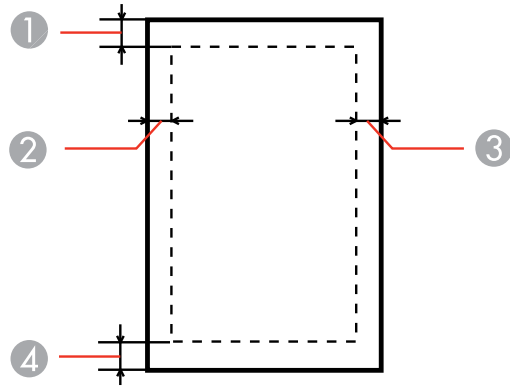
Parent topic: [Technical Specifications](#)



## Printable Area Specifications

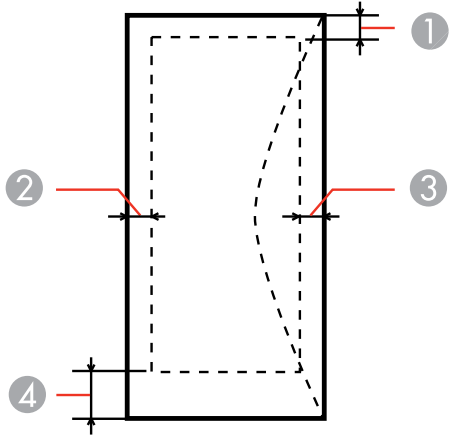
**Note:** When printing borderless, quality may decline in the expanded printable area.

### Single sheets



- 1 Top: 0.12 inch (3.0 mm) minimum
- 2 Left: 0.12 inch (3.0 mm) minimum
- 3 Right: 0.12 inch (3.0 mm) minimum
- 4 Bottom: 0.12 inch (3.0 mm) minimum

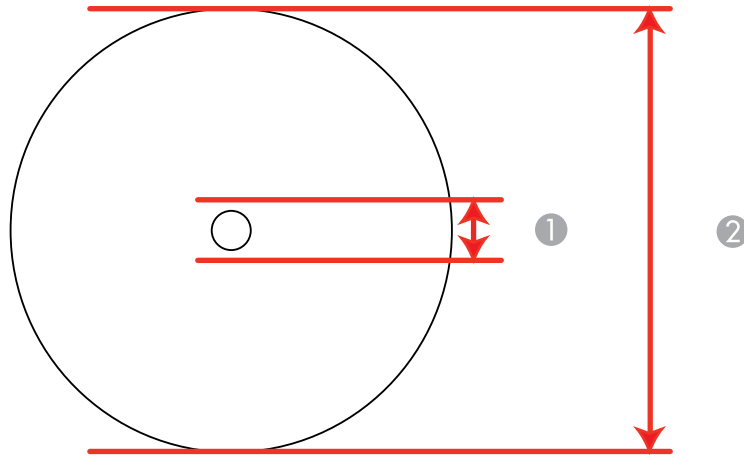
## Envelopes



- 1 Left: 0.12 inch (3.0 mm) minimum
- 2 Bottom: 0.20 inch (5.0 mm) minimum
- 3 Top: 0.20 inch (5.0 mm) minimum
- 4 Right: 0.78 inch (20 mm) minimum

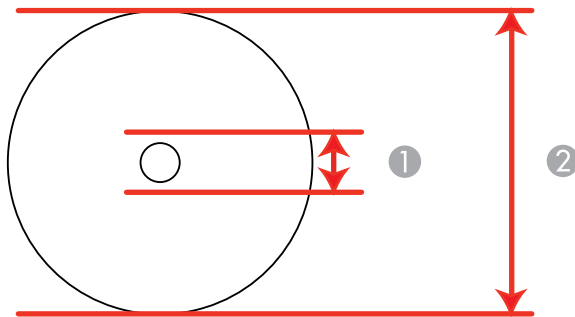
## CD/DVDs

### 12-cm CD/DVDs



- 1 0.8 inch (21 mm) minimum inner margin
- 2 4.7 inches (120 mm) maximum outer margin

**8-cm CD/DVDs**



- 1 0.8 inch (21 mm) minimum inner margin
- 2 3.2 inches (80 mm) maximum outer margin

**Note:** Avoid printing in the clear plastic areas of discs to prevent staining the disc with ink.

Parent topic: [Technical Specifications](#)

## Ink Cartridge Specifications

**Note:** We recommend that you use genuine EPSON cartridges and do not refill them. The use of other products may affect your print quality and could result in printer damage.

The printer ships with full cartridges and part of the ink from this first set of cartridges is used for priming the printer. Yields vary considerably based on images printed, print settings, paper type, frequency of use, and temperature. For print quality, a variable amount of ink remains in the cartridge after the "replace cartridge" indicator comes on.

<b>Color</b>	Black, Cyan, Magenta, Yellow, Light Cyan, Light Magenta
<b>Cartridge life</b>	Opened package: 6 months Unopened package: do not use if the date on the package has expired
<b>Temperature</b>	Storage: -4 to 104 °F (-20 to 40 °C) 1 month at 104 °F (40 °C) Ink freezes at 3.2 °F (-16 °C) Ink thaws and is usable after 3 hours at 77 °F (25 °C)

**Note:** For best printing results, use up a cartridge within 6 months of opening the package.

Parent topic: [Technical Specifications](#)

## Dimension Specifications

<b>Height</b>	Stored: 8.5 inches (215 mm) Printing: 16.3 inches (415 mm)
<b>Width</b>	Stored: 24.3 inches (616 mm) Printing: 24.3 inches (616 mm)
<b>Depth</b>	Stored: 12.7 inches (322 mm) Printing: 31.4 inches (798 mm)

**Weight** 26.0 lb (11.8 kg)  
(without ink cartridges, power cable, and the CD/DVD tray)

Parent topic: [Technical Specifications](#)

## Electrical Specifications

**Power supply rating** 100 to 120 V  
**Input voltage range** 100 to 120 V model: 90 to 132 V  
**Rated frequency range** 50/60 Hz  
**Input frequency range** 49.5/60.5 Hz  
**Rated current** 100 to 120 V model: 0.6 A  
**Power consumption** Printing: Approx. 18.0 W (ISO/IEC24712)  
(100 to 120 V model) Ready mode: Approx. 7.0 W  
Sleep mode: Approx. 3.3 W  
Power off mode: Approx. 0.2 W

Parent topic: [Technical Specifications](#)

## Environmental Specifications

**Temperature** Operating: 50 to 95 °F (10 to 35 °C)  
Storage: -4 to 104 °F (-20 to 40 °C)  
1 month at 104 °F (40 °C)  
**Humidity** Operating: 20 to 80% RH  
(non-condensing) Storage: 5 to 85% RH

Parent topic: [Technical Specifications](#)

## Interface Specifications

<b>Interface type</b>	Hi-Speed USB (Device class for computers) Hi-Speed USB (for PictBridge-compliant devices)
-----------------------	--

**Note:** Epson cannot guarantee the operation of externally connected devices.

**Parent topic:** [Technical Specifications](#)

## Network Interface Specifications

<b>Wireless LAN standard</b>	IEEE 802.11 b/g/n
<b>Wireless security</b>	WPA-PSK (TKIP/AES) WPA2 compliant WEP (64/128 bit)
<b>Frequency band</b>	2.4 GHz
<b>Communication mode</b>	Infrastructure mode Ad hoc mode

**Note:** Wireless LAN standard complies with either IEEE 802.11 b/g or IEEE 802.11 b/g/n, depending on purchase location.

**Parent topic:** [Technical Specifications](#)

## Safety and Approvals Specifications

<b>United States</b>	Safety: UL60950-1 EMC: FCC part 15 Subpart B class B
<b>Canada</b>	Safety: CAN/CSA C22.2 No. 60950-1 EMC: CAN/CSA-CEI/IEC CISPR 22 Class B

This equipment contains the following wireless module:

- Manufacturer: Marvell Semiconductor Inc.
- Type: SP88W8786-MD0-2C2T00

This product conforms to Part 15 of FCC Rules and RSS-210 of the IC Rules. Epson cannot accept responsibility for any failure to satisfy the protection requirements resulting from a non-recommended modification of the product. Operation is subject to the following two conditions: (1) this device may not cause harmful interference, and (2) this device must accept any interference received, including interference that may cause undesired operation of the device.

To prevent radio interference to the licensed service, this device is intended to be operated indoors and away from windows to provide maximum shielding. Equipment (or its transmit antenna) that is installed outdoors is subject to licensing.

**Parent topic:** [Technical Specifications](#)

---

## Notices

Check these sections for important notices about your product.

**Note:** Epson offers a recycling program for end of life products. Please go to [www.epson.com/recycle](http://www.epson.com/recycle) for information on how to return your products for proper disposal.

[FCC Compliance Statement](#)

[Software Notices](#)

[Trademarks](#)

[Copyright Notice](#)

## FCC Compliance Statement

### For United States Users

This equipment has been tested and found to comply with the limits for a Class B digital device, pursuant to Part 15 of the FCC Rules. These limits are designed to provide reasonable protection against harmful interference in a residential installation. This equipment generates, uses, and can radiate radio frequency energy and, if not installed and used in accordance with the instructions, may cause harmful interference to radio or television reception. However, there is no guarantee that interference will not occur in a particular installation. If this equipment does cause interference to radio and television reception, which can be determined by turning the equipment off and on, the user is encouraged to try to correct the interference by one or more of the following measures:

- Reorient or relocate the receiving antenna.
- Increase the separation between the equipment and receiver.
- Connect the equipment into an outlet on a circuit different from that to which the receiver is connected.
- Consult the dealer or an experienced radio/TV technician for help.

### WARNING

The connection of a non-shielded equipment interface cable to this equipment will invalidate the FCC Certification or Declaration of this device and may cause interference levels which exceed the limits established by the FCC for this equipment. It is the responsibility of the user to obtain and use a shielded equipment interface cable with this device. If this equipment has more than one interface connector, do not leave cables connected to unused interfaces. Changes or modifications not expressly approved by the manufacturer could void the user's authority to operate the equipment.



## For Canadian Users

This Class B digital apparatus meets all requirements of the Canadian Interference-Causing Equipment Regulations.

*Cet appareil numérique de la classe B respecte toutes les exigences du Règlement sur le matériel brouilleur du Canada.*

Parent topic: [Notices](#)

## Software Notices

### OPEN SOURCE SOFTWARE LICENSE

1. This printer product includes open source software programs listed in Section 6) according to the license terms of each open source software program.
2. We provide the source code of the GPL Programs, LGPL Programs and Apple Public Source License Programs (each is defined in Section 6) until five (5) years after the discontinuation of same model of this printer product. If you desire to receive the source code above, please contact Epson customer support for your region. You shall comply with the license terms of each open source software program.
3. The open source software programs are WITHOUT ANY WARRANTY; without even the implied warranty of MERCHANTABILITY AND FITNESS FOR A PARTICULAR PURPOSE. See the license agreements of each open source software program for more details, which are described in OSS.pdf on your Printer Software CD.
4. OpenSSL toolkit  
This printer product includes software developed by the OpenSSL project for use in the OpenSSL Toolkit (<http://www.openssl.org/>).  
This product includes cryptographic software written by Eric Young (eay@cryptsoft.com).
5. The license terms of each open source software program are described in OSS.pdf on your Printer Software CD.
6. The list of open source software programs which this printer product includes are as follows.

### GNU GPL

This printer product includes the open source software programs which apply the GNU General Public License Version 2 or later version ("GPL Programs").

The list of GPL Programs:

busybox\_1.7.2

coreutils\_5.2.1  
debianutils\_2.6.2  
dpkg\_1.10.18  
hostname\_2.10  
ifupdown\_0.6.4  
inetutils-ftp\_1.4.2  
initscripts\_2.85  
libc6\_2.3.6  
libgcc1\_4.1.1  
login\_4.0.3  
module-init-tools-1.60.9  
net-tools\_1.60  
netbase\_4.14  
procps\_3.1.14  
sysvinit-2.85  
telnetd\_0.17.21  
udhcp 0.9.8cvs20050124-5  
util-linux-2.12  
usb8786

### **GNU LGPL**

This printer product includes the open source software programs which apply the GNU Lesser General Public License Version 2 or later version ("LGPL Programs").

The list of LGPL Programs:

inetutils-ftp\_1.4.2  
libc6\_2.3.6  
procps\_3.1.14  
sysvinit-2.85  
zeroconf 0.6.1-1

iksemel 1.4

### **Apple Public Source License**

This printer product includes the open source software programs which apply the Apple Public Source License Version 1.2 or its latest version ("Apple Public Source License Programs").

Apple Public Source License Programs:

Bonjour

### **Net-SNMP license**

This printer product includes the open source software program "Net-SNMP" which applies the terms and conditions provided by owner of the copyright to the "Net-SNMP".

### **OpenSSL License/Original SSLeay License**

This printer product includes the open source software program "OpenSSL toolkit" which applies the license terms of OpenSSL License and Original SSLeay License.

### **BSD License (Berkeley Software Distribution License)**

This printer product includes the open source software programs which apply the Berkeley Software Distribution License ("BSD Programs").

The list of BSD Programs:

busybox\_1.7.2

coreutils\_5.2.1

ftp\_0.17

libc6\_2.3.6

inetutils-ftpd\_1.4.2

linux-ftpd-0.17

module-init-tools-1.60.9

netkit-inetd\_0.10

netkit-ping\_0.10

portmap\_5-2.1

util-linux-2.12

### **Sun RPC License**

This printer product includes the open source software programs which apply the Sun RPC License ("Sun RPC Programs").

The list of Sun RPC Programs:

libc6\_2.3.6

netkit-inetd\_0.10

netkit-ping\_0.10

portmap\_5-2.1

### **glibc license**

This printer product includes the open source software program "glibc" which applies the terms and conditions provided by owner of the copyright to the "glibc".

The list of "glibc" Programs:

libc6\_2.3.6

### **TCP Wrappers license**

This printer product includes the open source software program "TCP Wrappers" which applies the terms and conditions provided by owner of the copyright to the "TCP Wrappers".

"TCP Wrappers" Program:

libwrap0\_7.6

### **libncurses license**

This printer product includes the open source software program "libncurses" which applies the terms and conditions provided by owner of the copyright to the "libncurses".

"libncurses" Program:

libncurses5\_5

### **busybox license**

This printer product includes the open source software program "busybox" which applies the terms and conditions provided by owner of the copyright to the "busybox".

"busybox" Program:

busybox\_1.7.2

### **debianutils license**

This printer product includes the open source software program "debianutils" which applies the terms and conditions provided by owner of the copyright to the "debianutils".

"debianutils" Program:

debianutils\_2.6.2

**shadow license**

This printer product includes the open source software program "shadow" which applies the terms and conditions provided by owner of the copyright to the "shadow".

"shadow " Program:

login\_4.0.3

**telnetd license**

This printer product includes the open source software program "telnetd" which applies the terms and conditions provided by owner of the copyright to the "telnetd".

"telnetd" Program:

telnetd\_0.17.21

**telnetd license**

This printer product includes the open source software program "telnetd" which applies the terms and conditions provided by owner of the copyright to the "telnetd".

"telnetd" Program:

telnetd\_0.17.21

**ARC4 license**

This printer product includes the open source software program "ARC4" which applies the terms and conditions provided by owner of the copyright to the "ARC4".

"ARC4" Program:

ARC4

**SHA1 license**

This printer product includes the open source software program "SHA1" which applies the terms and conditions provided by owner of the copyright to the "AES".

"SHA1" Program:

SHA1

**Parent topic:** [Notices](#)

## Trademarks

EPSON®, Artisan®, and EPSON Supplies Central® are registered trademarks, and EPSON Exceed Your Vision is a registered logomark of Seiko Epson Corporation.

EPSON Store<sup>SM</sup> is a service mark of Epson America, Inc.

General Notice: Other product names used herein are for identification purposes only and may be trademarks of their respective owners. Epson disclaims any and all rights in those marks.



**Parent topic:** [Notices](#)

## Copyright Notice

All rights reserved. No part of this publication may be reproduced, stored in a retrieval system, or transmitted in any form or by any means, electronic, mechanical, photocopying, recording, or otherwise, without the prior written permission of Seiko Epson Corporation. The information contained herein is designed only for use with this EPSON product. Epson is not responsible for any use of this information as applied to other products.

Neither Seiko Epson Corporation nor its affiliates shall be liable to the purchaser of this product or third parties for damages, losses, costs, or expenses incurred by purchaser or third parties as a result of: accident, misuse, or abuse of this product or unauthorized modifications, repairs, or alterations to this product, or (excluding the U.S.) failure to strictly comply with Seiko Epson Corporation's operating and maintenance instructions.

Seiko Epson Corporation shall not be liable for any damages or problems arising from the use of any options or any consumable products other than those designated as Original EPSON Products or EPSON Approved Products by Seiko Epson Corporation.

Seiko Epson Corporation shall not be held liable for any damage resulting from electromagnetic interference that occurs from the use of any interface cables other than those designated as EPSON approved Products by Seiko Epson Corporation.

This information is subject to change without notice.

[A Note Concerning Responsible Use of Copyrighted Materials](#)

[Default Delay Times for Power Management for EPSON Products](#)

[Copyright Attribution](#)

**Parent topic:** [Notices](#)

## **A Note Concerning Responsible Use of Copyrighted Materials**

Epson encourages each user to be responsible and respectful of the copyright laws when using any EPSON product. While some countries' laws permit limited copying or reuse of copyrighted material in certain circumstances, those circumstances may not be as broad as some people assume. Contact your legal advisor for any questions regarding copyright law.

**Parent topic:** [Copyright Notice](#)

## **Default Delay Times for Power Management for EPSON Products**

This product will enter sleep mode after a period of nonuse. The time interval has been set at the factory to ensure that the product meets Energy Star standards of energy efficiency, and cannot be modified by the consumer.

**Parent topic:** [Copyright Notice](#)

## **Copyright Attribution**

© 2011 Epson America, Inc.

11/11

CPD-35560

**Parent topic:** [Copyright Notice](#)