

# Tapo Robot Vacuum Replacement Kit

## Replacement Frequency

To maintain optimal performance, maintain the robot vacuum according to the following guidelines.

Part	Maintenance Frequency	Replacement Frequency†
Main Brush	Every 2 weeks	6-12 months
Side Brush	Once a month	3-6 months
Filter	Once a week	3-6 months

†Replacement frequency may vary depending on the actual situation. Parts should be replaced if visible wear appears.

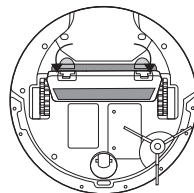
©2024 TP-Link 7106511890 REV1.0.0



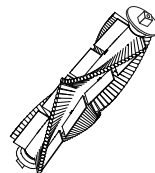
# Main Brush

1. Turn the robot vacuum over, then unlatch and remove the main brush cover.

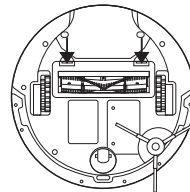
▮ If you have installed the mopping attachment, uninstall it from the robot vacuum first.



2. Replace with a new one.

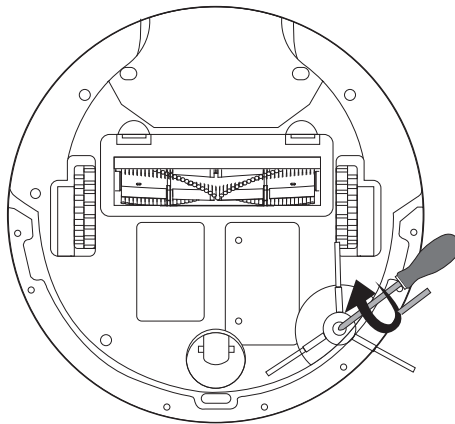


3. Press on the main brush cover to lock it in place.



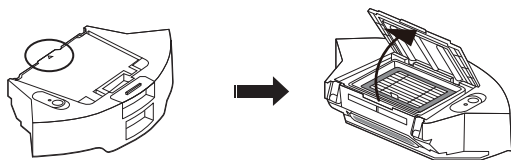
# Side Brush

1. Use a screwdriver to unscrew the side brush **clockwise**.
2. Replace with a new one. Turn the new side brush **anticlockwise** to secure it tightly and ensure it's properly installed.



# Filter

1. Remove the dustbin and open the lid.



2. Replace with a new one.

