

**SOLUTION BRIEF**

# Extending Advanced Security for Google Cloud

## Executive Summary

Google Cloud was designed with security as a core design component. Google uses a variety of technologies and processes to secure information stored on Google servers. Like other public cloud platforms, Google offers customers a great deal of basic security control over their instances running on Google's infrastructure. However, general cloud Infrastructure-as-a-Service (IaaS) does not control security on the operating system, packages, all network connections, inbound and outbound traffic, or applications that are deployed by customers on Google Cloud. It is the customer's responsibility to comply with its own regulation compliance requirements.

FortiGate for Google Cloud extends the consistent and best-in-class enterprise security to secure connectivity for business workload between the on-premises data center and the cloud environment. Business needs seamless security orchestration that scales along with cloud workloads. FortiGate complements native Google Cloud security functions with advanced threat protection.

## Complements Base Google Cloud Security

FortiGate safeguards Google Cloud so developers can deploy the cloud application and data with enterprise grade of next-generation firewall (NGFW), virtual private network (VPN), intrusion prevention system (IPS), antivirus, etc., beyond the base Google Cloud VPN.

## Single Pane of Security Visibility of Public and Hybrid Clouds

The FortiGate NGFW along with FortiManager delivers consistent cross-site policy management and visibility in multi-cloud infrastructures.

## PCI Compliance-ready Platform

The public cloud adapts the shared responsibility model regardless of which public cloud option you choose. FortiGate open application programming interfaces (APIs) and consolidated log analytics enable out-of-the-box Payment Card Industry (PCI) compliance reports. Organizations can also bring all log streams into Google Cloud for more effective threat prevention.

## Joint Solution Components

- Fortinet FortiGate Next-generation Firewall (NGFW)
- Google Cloud

## Joint Solution Benefits

- Maintains consistent security posture in shared responsibility model from on-premises to the cloud
- Comprehensive advanced security and threat prevention for Google Cloud
- Continuous control and visibility through single-pane-of-glass management
- Mitigates concentration of end-to-end data and risk in consolidated environments within and across clouds



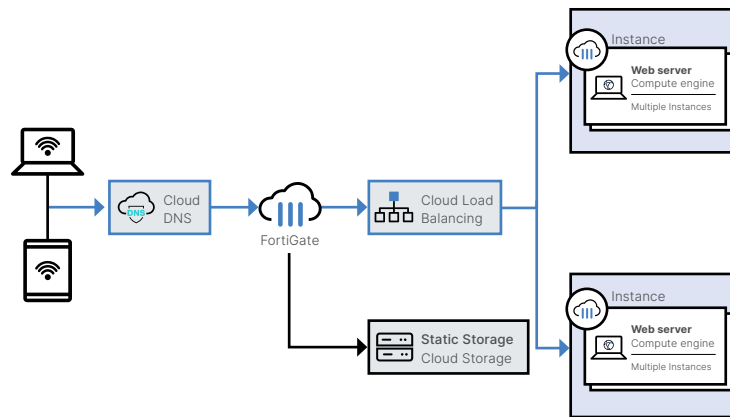


Figure 1.1: Multilayered security.

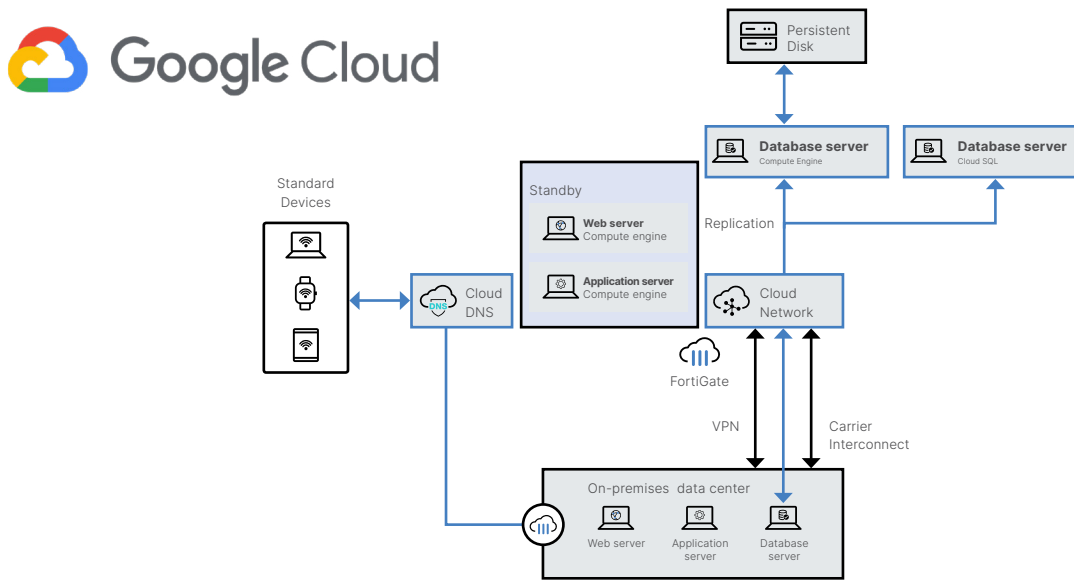


Figure 1.2: Hybrid cloud.

## FortiGate on Google Cloud

With Google Cloud Virtual Private Cloud (VPC), you can provision your Google Cloud resources geographically, connect them to each other, and isolate them from one another in a VPC. You can also define or segment fine-grained networking policies within Google Cloud and between Google Cloud and on-premises or other public clouds.

A FortiGate virtual firewall is deployed to segment your networks and restrict access to virtual instances. The key FortiGate deployment cases for Google Cloud include:

- Site-to-site VPN
- Firewall high availability
- Multilayered security among VPCs
- Hybrid cloud
- Centralized management with combining use with FortiManager



## BYOL Licensing

FortiGate is available in Google Cloud cloud launcher with a bring-your-own-license (BYOL) supporting standard and new V-series virtualized instances from VM01/v to VM32/v for both virtual domain object model (VDOM)/non-VDOM configuration.

## Fortinet Security Fabric

The Security Fabric delivers broad visibility, integrated artificial intelligence (AI)-driven breach prevention, and automated operations, orchestration, and response across all Fortinet and its ecosystem deployments. It allows security to dynamically expand and adapt as more and more workloads and data are added. Security seamlessly follows and protects data, users, and applications as they move between Internet-of-Things (IoT) devices and cloud environments throughout the network. All this is tied together under single-pane-of-glass management for delivering leading security capabilities across your entire environment while also significantly reducing complexity. FortiGates are the foundation of the Security Fabric, expanding security via visibility and control by tightly integrating with other Fortinet security products and Fabric-Ready Partner solutions.

## About Google Cloud

Google Cloud is widely recognized as a global leader in delivering a secure, open, intelligent, and transformative enterprise cloud platform. Our technology is built on Google's private network and is the product of nearly 20 years of innovation in security, network architecture, collaboration, artificial intelligence, and open source software. We offer a simply engineered set of tools and unparalleled technology across Google Cloud and Google Workspace that help bring people, insights, and ideas together. Customers across more than 150 countries trust Google Cloud to modernize their computing environment for today's digital world.



[www.fortinet.com](http://www.fortinet.com)

Copyright © 2021 Fortinet, Inc. All rights reserved. Fortinet®, FortiGate®, FortiCare® and FortiGuard®, and certain other marks are registered trademarks of Fortinet, Inc., and other Fortinet names herein may also be registered and/or common law trademarks of Fortinet. All other product or company names may be trademarks of their respective owners. Performance and other metrics contained herein were attained in internal lab tests under ideal conditions, and actual performance and other results may vary. Network variables, different network environments and other conditions may affect performance results. Nothing herein represents any binding commitment by Fortinet, and Fortinet disclaims all warranties, whether express or implied, except to the extent Fortinet enters a binding written contract, signed by Fortinet's General Counsel, with a purchaser that expressly warrants that the identified product will perform according to certain expressly-identified performance metrics and, in such event, only the specific performance metrics expressly identified in such binding written contract shall be binding on Fortinet. For absolute clarity, any such warranty will be limited to performance in the same ideal conditions as in Fortinet's internal lab tests. Fortinet disclaims in full any covenants, representations, and guarantees pursuant hereto, whether express or implied. Fortinet reserves the right to change, modify, transfer, or otherwise revise this publication without notice, and the most current version of the publication shall be applicable.