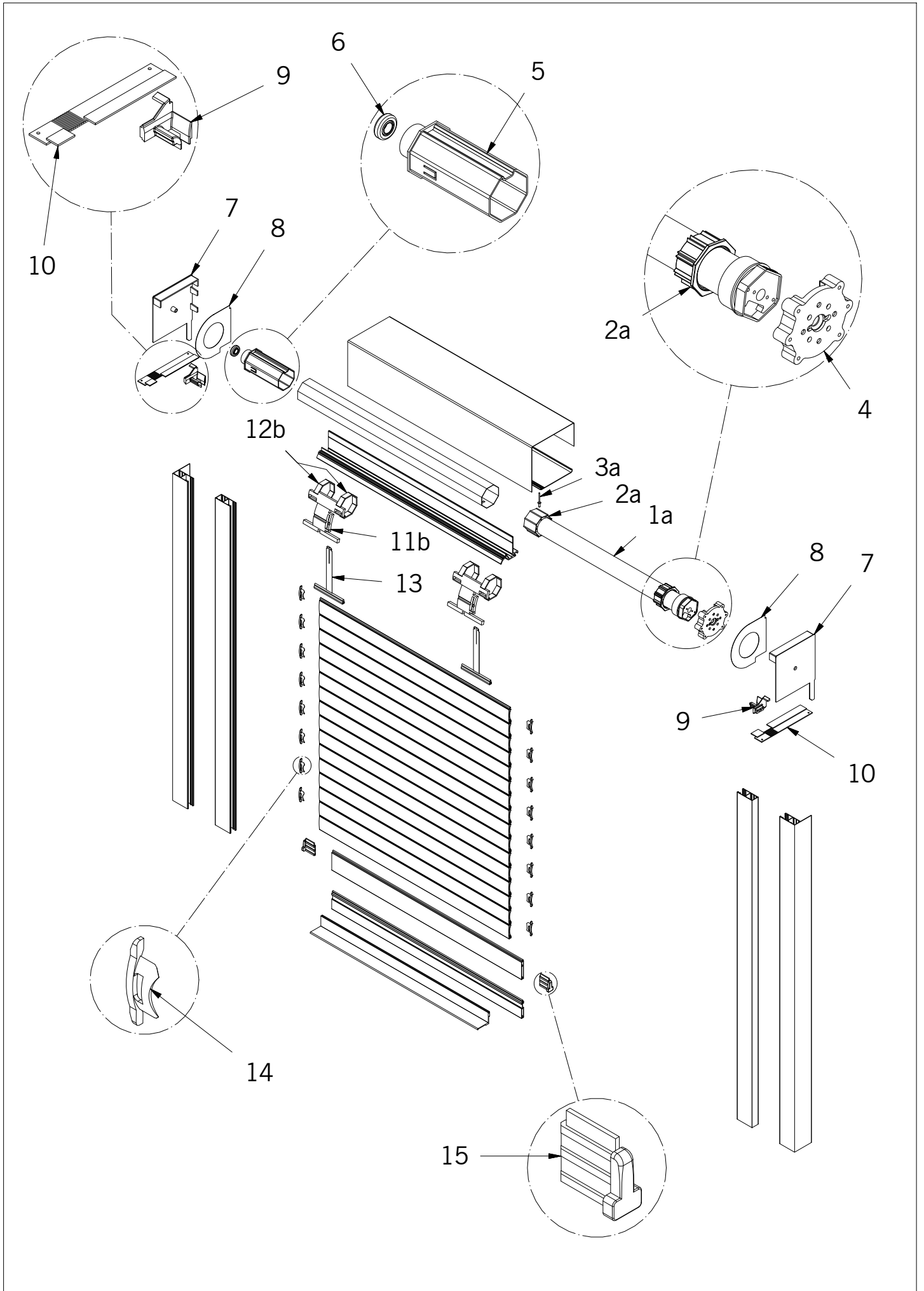


# Service Components Catalogue

## Reno Integro





# RenolIntegro elektrisch angetrieben

| Pos | Artikelnummer | Beschreibung   | Menge |
|-----|---------------|--|-------|
| 1a  | 7500820000    | SIMU T5 Auto 6 Nm, Kabel 2.5                               | 1     |
|     | 7500830000    | SIMU T5 Auto 10 Nm, Kabel 2.5                              | 1     |
|     | 7500010000    | SIMU T5 Auto 15 Nm, Kabel 2.5                              | 1     |
|     | 7500840000    | SIMU T5 Auto 25 Nm, Kabel 2.5                              | 1     |
|     | 7500800000    | SIMU T5 Auto SHORT 6 Nm, Kabel 2.5                         | 1     |
|     | 7500350000    | SIMU T5 Meca 8 Nm, Kabel 2.5                               | 1     |
|     | 7500420000    | SIMU T5 Meca 15 Nm, Kabel 2.5                              | 1     |
|     | 7500460000    | SIMU T5 Meca 25 Nm, Kabel 2.5                              | 1     |
|     | 7500370000    | SIMU T5 E Hz 8 Nm, Kabel 2.5                               | 1     |
|     | 7500430000    | SIMU T5 E Hz 15 Nm, Kabel 2.5                              | 1     |
|     | 7500470000    | SIMU T5 E Hz 25 Nm, Kabel 2.5                              | 1     |
|     | 7500850000    | SIMU T5 E Hz SHORT 6 Nm, Kabel 2.5                         | 1     |
|     | 7500320000    | Somfy Atlas 15 Nm, Kabel 2.5                               | 1     |
|     | 7500730000    | Somfy Oximo WT 10 Nm, Kabel 2.5                            | 1     |
|     | 7501160000    | Somfy Oximo WT 20 Nm, Kabel 2.5                            | 1     |
|     | 7501080000    | Somfy Oximo WT 30 Nm, Kabel 2.5                            | 1     |
|     | 6602280000    | Somfy Altus RTS 10 Nm, Kabel 2.5                           | 1     |
|     | 6602280000    | Somfy Altus RTS 20 Nm, Kabel 2.5                           | 1     |
| 2a  | 7500040000    | Ring + Krone   | 1     |
| 3a  | 7600980000    | Niet 4x8   | 1     |
| 4   | 7500990000    | Lagerplatte Motor SIMU                                     | 1     |
|     | 7500980000    | Lagerplatte Motor SOMFY                                    | 1     |
| 5   | 7100390000    | Walzenkapsel 60 mit Wälzlageraufnahme                      | 1     |
|     | 7600930320    | Schraube 3,9 x 9,5 zum Blockieren                          | 1     |
| 6   | 7401160000    | Kugellager Reno  | 1     |
| 7   | 7400510000    | Konsole Integro 150  | 2     |
|     | 7400530000    | Konsole Integro 165  | 2     |
|     | 7400550000    | Konsole Integro 180  | 2     |
|     | 7400560000    | Konsole Integro 205  | 2     |
| 8   | 7401060000    | Konsolplatte 150   | 2     |
|     | 7401070000    | Konsolplatte 165   | 2     |
|     | 7401080000    | Konsolplatte 180   | 2     |
|     | 7401090000    | Konsolplatte 205   | 2     |
|     | 7600890320    | Schraube 3,5 x 9,5   | 6     |
| 9   | 7400860017    | Lamellenführung 37 / 41 weiss für Führungsschiene 22 x 53  | 2     |
|     | 7400860044    | Lamellenführung 37 /41 schwarz für Führungsschiene 22 x 53 | 2     |
|     | 7400850017    | Lamellenführung weiss für Führungsschiene 22 x 67          | 2     |
|     | 7400850044    | Lamellenführung schwarz für Führungsschiene 22 x 67        | 2     |
|     | 7600500000    | Schraube 3,9 x 22  | 4     |
| 10  | 7400380017    | Paar Abstandswinkel für Kassette Integro weiss             | 1     |
|     | 7400380018    | Paar Abstandswinkel für Kassette Integro grau              | 1     |
|     | 7400380044    | Paar Abstandswinkel für Kassette Integro schwarz           | 1     |
| 11b | 7000880000    | Automatische Hochschiebesicherung 1-gliedrig               | 2     |
|     | 7000890000    | Automatische Hochschiebesicherung 2-gliedrig               | 2     |
| 12b | 7000890000    | Ring automatische Hochschiebesicherung ø 60                | 4     |
| 13  | 7000110000    | Panzerbefestigung Klemme                                   | 2     |
| 14  | 7000740000    | Stopper Reno   | 2     |

# RenolIntegro elektrisch angetrieben

|    |            |                      |   |
|----|------------|----------------------|---|
| 15 | 7000310000 | Führungsnippel 37    | 2 |
|    | 7000960000 | Führungsnippel 37 SL | 2 |
|    | 7000300000 | Führungsnippel 41    | 2 |

a, b = Set

# RenoIntegro electrically driven

| Pos | Item No.   | Denomination                                | Quantity |
|-----|------------|---|----------|
| 1a  | 7500820000 | SIMU T5 Auto 6Nm, cable 2.5m                | 1        |
|     | 7500830000 | SIMU T5 Auto 10Nm, cable 2.5m               | 1        |
|     | 7500010000 | SIMU T5 Auto 15Nm, cable 2.5m               | 1        |
|     | 7500840000 | SIMU T5 Auto 25Nm, cable 2.5m               | 1        |
|     | 7500800000 | SIMU T5 Auto SHORT 6Nm, cable 2.5m          | 1        |
|     | 7500350000 | SIMU T5 Meca 8Nm, cable 2.5m                | 1        |
|     | 7500420000 | SIMU T5 Meca 15Nm, cable 2.5m               | 1        |
|     | 7500460000 | SIMU T5 Meca 25Nm, cable 2.5m               | 1        |
|     | 7500370000 | SIMU T5 E Hz 8Nm, cable 2.5m                | 1        |
|     | 7500430000 | SIMU T5 E Hz 15Nm, cable 2.5m               | 1        |
|     | 7500470000 | SIMU T5 E Hz 25Nm, cable 2.5m               | 1        |
|     | 7500850000 | SIMU T5 E Hz SHORT 6Nm, cable 2.5m          | 1        |
|     | 7500320000 | Somfy Atlas 15Nm, cable 2.5m                | 1        |
|     | 7500730000 | Somfy Oximo WT 10Nm, cable 2.5m             | 1        |
|     | 7501160000 | Somfy Oximo WT 20Nm, cable 2.5m             | 1        |
|     | 7501080000 | Somfy Oximo WT 30Nm, cable 2.5m             | 1        |
|     | 6602280000 | Somfy Altus RTS 10Nm, cable 2.5m            | 1        |
|     | 6602280000 | Somfy Altus RTS 20Nm, cable 2.5m            | 1        |
| 2a  | 7500040000 | Ring + crown gear                           | 1        |
| 3a  | 7600980000 | 4X8 rivet                                   | 1        |
| 4   | 7500990000 | Bearing plate motor SIMU                    | 1        |
|     | 7500980000 | Bearing plate motor SOMFY                   | 1        |
| 5   | 7100390000 | 60 tip bearing holder                       | 1        |
|     | 7600930320 | Screw 3.9 x 9.5 for fastening               | 1        |
| 6   | 7401160000 | Ball bearing Reno                           | 1        |
| 7   | 7400510000 | Integro console 150                         | 2        |
|     | 7400530000 | Integro console 165                         | 2        |
|     | 7400550000 | Integro console 180                         | 2        |
|     | 7400560000 | Integro console 205                         | 2        |
| 8   | 7401060000 | Console plate 150                           | 2        |
|     | 7401070000 | Console plate 165                           | 2        |
|     | 7401080000 | Console plate 180                           | 2        |
|     | 7401090000 | Console plate 205                           | 2        |
|     | 7600890320 | Screw 3.5 x 9.5                             | 6        |
| 9   | 7400860017 | Slat guide 37/41 white for guide rail 22x53 | 2        |
|     | 7400860044 | Slat guide 37/41 black for guide rail 22x53 | 2        |
|     | 7400850017 | Slat guide white for guide rail 22x67       | 2        |
|     | 7400850044 | Slat guide black for guide rail 22x67       | 2        |
|     | 7600500000 | Screw 3.9 x 22                              | 4        |
| 10  | 7400380017 | Pair of brackets for Integro cassette white | 1        |
|     | 7400380018 | Pair of brackets for Integro cassette grey  | 1        |
|     | 7400380044 | Pair of brackets for Integro cassette black | 1        |
| 11b | 7000880000 | Automatic anti-lift device 1-link           | 2        |
|     | 7000890000 | Automatic anti-lift device 2-link           | 2        |
| 12b | 7000890000 | Ring ø60 automatic anti-lift device         | 4        |
| 13  | 7000110000 | Clip for curtain clamp                      | 2        |
| 14  | 7000740000 | Reno stopper                                | 2        |

# RenolIntegro electrically driven

|    |            |                    |   |
|----|------------|--------------------|---|
| 15 | 7000310000 | Guide nipple 37    | 2 |
|    | 7000960000 | Guide nipple 37 SL | 2 |
|    | 7000300000 | Guide nipple 41    | 2 |

a, b = Set

# Renointegro moteur

| Pos | N° Article | Désignation   | Quantité |
|-----|------------|---|----------|
| 1a  | 7500820000 | Moteur Simu T5 Auto 6/17 câble 2.5 m                | 1        |
|     | 7500830000 | Moteur Simu T5 Auto 10/17 câble 2.5 m               | 1        |
|     | 7500010000 | Moteur Simu T5 Auto 15/17 câble 2.5 m               | 1        |
|     | 7500840000 | Moteur Simu T5 Auto 25/17 câble 2.5 m               | 1        |
|     | 7500800000 | Moteur Simu T5 Auto Short 6/17 câble 2.5 m          | 1        |
|     | 7500350000 | Moteur Simu T5 Meca 8/17 câble 2.5 m                | 1        |
|     | 7500420000 | Moteur Simu T5 Meca 15/17 câble 2.5 m               | 1        |
|     | 7500460000 | Moteur Simu T5 Meca 25/17 câble 2.5 m               | 1        |
|     | 7500370000 | Moteur Simu T5 E Hz 8/17 câble 2.5 m                | 1        |
|     | 7500430000 | Moteur Simu T5 E Hz 15/17 câble 2.5 m               | 1        |
|     | 7500470000 | Moteur Simu T5 E Hz 25/17 câble 2.5 m               | 1        |
|     | 7500850000 | Moteur Simu T5 E Hz Short 6/17 câble 2.5 m          | 1        |
|     | 7500320000 | Moteur Somfy Atlas 15/17 câble 2.5 m                | 1        |
|     | 7500730000 | Moteur Somfy Oximo 50 WT 10/17 câble 2.5 m          | 1        |
|     | 7501160000 | Moteur Somfy Oximo 50 WT 20/17 câble 2.5 m          | 1        |
|     | 7501080000 | Moteur Somfy Oximo 50 WT 30/17 câble 2.5 m          | 1        |
|     | 6602280000 | Moteur Somfy Altus 50 RTS 20/17 câble 2.5 m         | 1        |
|     | 6602280000 | Moteur Somfy Altus 50 RTS 20/17 câble 2.5 m         | 1        |
| 2a  | 7500040000 | Bague et Couronne axe octo 60                       | 1        |
| 3a  | 7600980000 | Rivet 4x8   | 1        |
| 4   | 7500990000 | Support Moteur Simu T5 universel                    | 1        |
|     | 7500980000 | Support Moteur Somfy                                | 1        |
| 5   | 7100390000 | Manchon octo 60 porte roulement                     | 1        |
|     | 7600930320 | Vis tôle tête cylindrique cruciforme 3.9x9.5 zingué | 1        |
| 6   | 7401160000 | Roulement à billes Reno                             | 1        |
| 7   | 7400510000 | Paire consoles Brut pour caisson UPK 150            | 2        |
|     | 7400530000 | Paire consoles Brut pour caisson UPK 165            | 2        |
|     | 7400550000 | Paire consoles Brut pour caisson UPK 180            | 2        |
|     | 7400560000 | Paire consoles Brut pour caisson UPK 205            | 2        |
| 8   | 7401060000 | Plaque de console 150 ø 72                          | 2        |
|     | 7401070000 | Plaque de console 165 ø 72                          | 2        |
|     | 7401080000 | Plaque de console 180 ø 72                          | 2        |
|     | 7401090000 | Plaque de console 205 ø 72                          | 2        |
|     | 7600890320 | Vis tôle tête cylindrique cruciforme 3.5x9.5 zingué | 6        |
| 9   | 7400860017 | Paire guide lame Mini Blanc                         | 2        |
|     | 7400860044 | Paire guide lame Mini Noir                          | 2        |
|     | 7400850017 | Paire guide lame H54 Blanc                          | 2        |
|     | 7400850044 | Paire guide lame H54 Noir                           | 2        |
|     | 7600500000 | Vis tôle 3.5x22 zingué                              | 4        |
| 10  | 7400380017 | Paire Cale pour caisson UPK Blanc                   | 1        |
|     | 7400380018 | Paire Cale pour caisson UPK Gris                    | 1        |
|     | 7400380044 | Paire Cale pour caisson UPK Noir                    | 1        |
| 11b | 7000880000 | Verrou Auto 1 maillon easy                          | 2        |
|     | 7000890000 | Verrou Auto 2 maillons easy                         | 2        |
| 12b | 7000890000 | Verrou Auto 2 maillons easy                         | 4        |
| 13  | 7000110000 | Attache tablier 4086 P à pince                      | 2        |
| 14  | 7000740000 | Stopper Réno sur Lame Finale blanc                  | 2        |

# RenolIntegro moteur

|    |            |                      |   |
|----|------------|----------------------|---|
| 15 | 7000310000 | Embout de lame 37    | 2 |
|    | 7000960000 | Embout de lame 37 SL | 2 |
|    | 7000300000 | Embout de lame 41    | 2 |

a, b = Set



# Renointegro azionamento elettrico

| Pos | No. articolo | Denominazione  | Quantità |
|-----|--------------|--|----------|
| 1a  | 7500820000   | SIMU T5 Auto 6Nm, cavo 2.5m  | 1        |
|     | 7500830000   | SIMU T5 Auto 10Nm, cavo 2.5m                                       | 1        |
|     | 7500010000   | SIMU T5 Auto 15Nm, cavo 2.5m                                       | 1        |
|     | 7500840000   | SIMU T5 Auto 25Nm, cavo 2.5m                                       | 1        |
|     | 7500800000   | SIMU T5 Auto SHORT 6Nm, cavo 2.5m                                  | 1        |
|     | 7500350000   | SIMU T5 Meca 8Nm, cavo 2.5m  | 1        |
|     | 7500420000   | SIMU T5 Meca 15Nm, cavo 2.5m                                       | 1        |
|     | 7500460000   | SIMU T5 Meca 25Nm, cavo 2.5m                                       | 1        |
|     | 7500370000   | SIMU T5 E Hz 8Nm, cavo 2.5m  | 1        |
|     | 7500430000   | SIMU T5 E Hz 15Nm, cavo 2.5m                                       | 1        |
|     | 7500470000   | SIMU T5 E Hz 25Nm, cavo 2.5m                                       | 1        |
|     | 7500850000   | SIMU T5 E Hz SHORT 6Nm, cavo 2.5m                                  | 1        |
|     | 7500320000   | Somfy Atlas 15Nm, cavo 2.5m  | 1        |
|     | 7500730000   | Somfy Oximo WT 10Nm, cavo 2.5m                                     | 1        |
|     | 7501160000   | Somfy Oximo WT 20Nm, cavo 2.5m                                     | 1        |
|     | 7501080000   | Somfy Oximo WT 30Nm, cavo 2.5m                                     | 1        |
|     | 6602280000   | Somfy Altus RTS 10Nm, cavo 2.5m                                    | 1        |
|     | 6602280000   | Somfy Altus RTS 20Nm, cavo 2.5m                                    | 1        |
| 2a  | 7500040000   | Anello + corona  | 1        |
| 3a  | 7600980000   | Rivetto 4x8  | 1        |
| 4   | 7500990000   | Supporto motore SIMU   | 1        |
|     | 7500980000   | Supporto motore SOMFY  | 1        |
| 5   | 7100390000   | Manicotto da 60 porta cuscinetto                                   | 1        |
|     | 7600930320   | Vite 3.9 x 9.5 per bloccaggio                                      | 1        |
| 6   | 7401160000   | Cuscinetto a sfere Reno  | 1        |
| 7   | 7400510000   | Mensola Integro 150  | 2        |
|     | 7400530000   | Mensola Integro 165  | 2        |
|     | 7400550000   | Mensola Integro 180  | 2        |
|     | 7400560000   | Mensola Integro 205  | 2        |
| 8   | 7401060000   | Piastra mensola 150  | 2        |
|     | 7401070000   | Piastra mensola 165  | 2        |
|     | 7401080000   | Piastra mensola 180  | 2        |
|     | 7401090000   | Piastra mensola 205  | 2        |
|     | 7600890320   | Vite 3.5 x 9.5   | 6        |
| 9   | 7400860017   | Guida lamella 37 / 41 colore bianco per guida di scorrimento 22x53 | 2        |
|     | 7400860044   | Guida lamella 37 /41 colore nero per guida di scorrimento 22x53    | 2        |
|     | 7400850017   | Guida lamella colore bianco per guida di scorrimento 22x67         | 2        |
|     | 7400850044   | Guida lamella colore nero per guida di scorrimento 22x67           | 2        |
|     | 7600500000   | Vite 3.9 x 22  | 4        |
| 10  | 7400380017   | Coppia di spessori per cassonetto Integro bianco                   | 1        |
|     | 7400380018   | Coppia di spessori per cassonetto Integro grigio                   | 1        |
|     | 7400380044   | Coppia di spessori per cassonetto Integro nero                     | 1        |
| 11b | 7000880000   | Chiavistello Auto 1 anello   | 2        |
|     | 7000890000   | Chiavistello Auto 2 anelli   | 2        |
| 12b | 7000890000   | Anello chiavistello Auto ø 60                                      | 4        |
| 13  | 7000110000   | Attacco telo a pinza   | 2        |
| 14  | 7000740000   | Fermo Reno   | 2        |

# RenolIntegro azionamento elettrico

|    |            |                      |   |
|----|------------|----------------------|---|
| 15 | 7000310000 | Perno di guida 37    | 2 |
|    | 7000960000 | Perno di guida 37 SL | 2 |
|    | 7000300000 | Perno di guida 41    | 2 |

a, b = Set

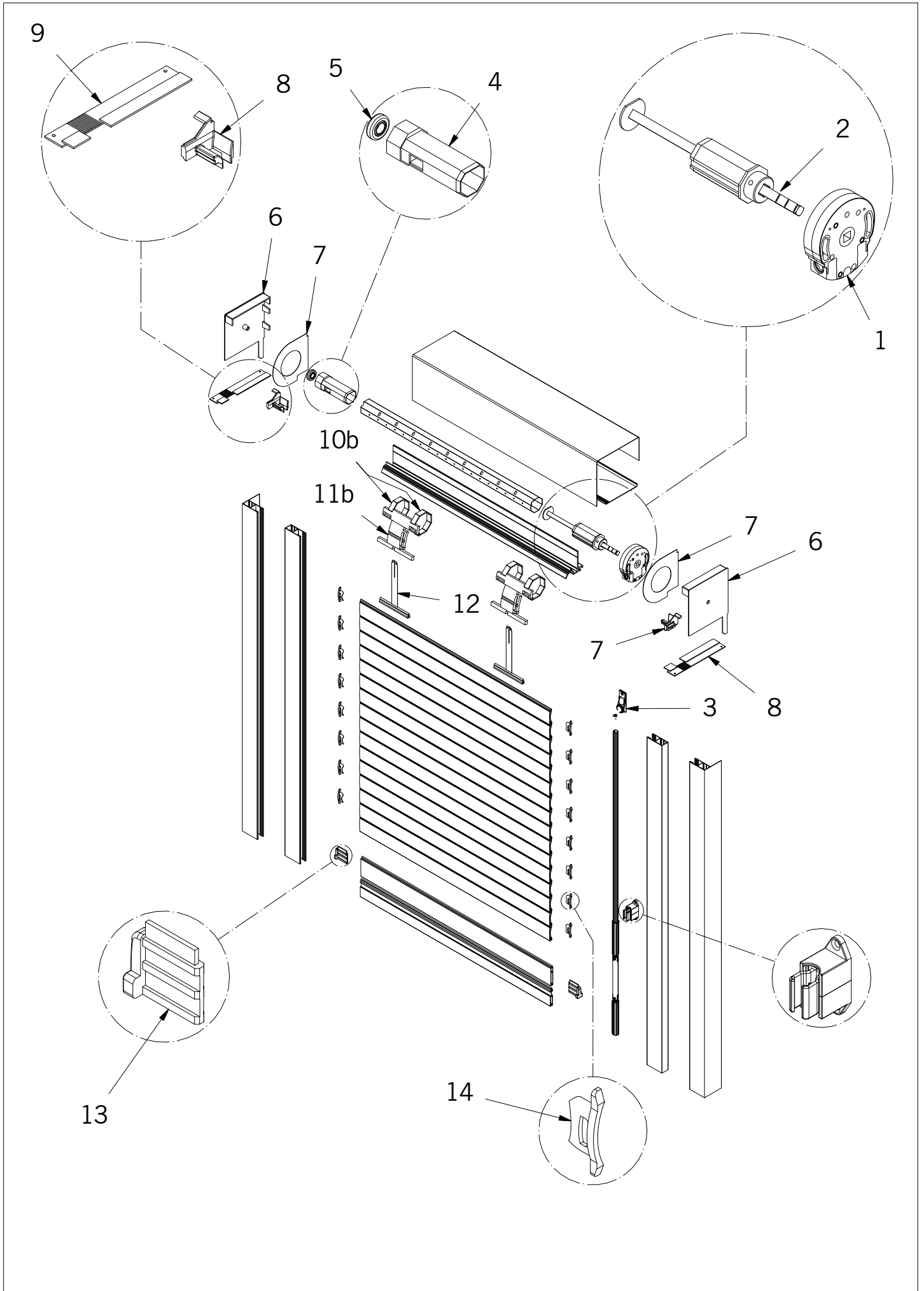
# RenolIntegro accionamiento eléctrico

| Pos | No. artículo | Designación                                  | Cantidad |
|-----|--------------|--|----------|
| 1a  | 7500820000   | SIMU T5 Auto 6 Nm cable 2,5m                 | 1        |
|     | 7500830000   | SIMU T5 Auto 10 Nm cable 2,5m                | 1        |
|     | 7500010000   | SIMU T5 Auto 15 Nm cable 2,5m                | 1        |
|     | 7500840000   | SIMU T5 Auto 25 Nm cable 2,5m                | 1        |
|     | 7500800000   | SIMU T5 Auto SHORT 6 Nm cable 2,5m           | 1        |
|     | 7500350000   | SIMU T5 Meca 8 Nm cable 2,5m                 | 1        |
|     | 7500420000   | SIMU T5 Meca 15 Nm cable 2,5m                | 1        |
|     | 7500460000   | SIMU T5 Meca 25 Nm cable 2,5m                | 1        |
|     | 7500370000   | SIMU T5 E Hz 8 Nm cable 2,5m                 | 1        |
|     | 7500430000   | SIMU T5 E Hz 15 Nm cable 2,5m                | 1        |
|     | 7500470000   | SIMU T5 E Hz 25 Nm cable 2,5m                | 1        |
|     | 7500850000   | SIMU T5 E Hz SHORT 6 Nm cable 2,5m           | 1        |
|     | 7500320000   | Somfy Atlas 15 Nm cable 2,5m                 | 1        |
|     | 7500730000   | Somfy Oximo WT 10 Nm cable 2,5m              | 1        |
|     | 7501160000   | Somfy Oximo WT 20 Nm cable 2,5m              | 1        |
|     | 7501080000   | Somfy Oximo WT 30 Nm cable 2,5m              | 1        |
|     | 6602280000   | Somfy Altus RTS 10 Nm cable 2,5m             | 1        |
|     | 6602280000   | Somfy Altus RTS 20 Nm cable 2,5m             | 1        |
| 2a  | 7500040000   | Rueda + Corona                               | 1        |
| 3a  | 7600980000   | Remache 4x8                                  | 1        |
| 4   | 7500990000   | Soporte motor SIMU                           | 1        |
|     | 7500980000   | Soporte motor SOMFY                          | 1        |
| 5   | 7100390000   | Adaptador eje 60 octogonal                   | 1        |
|     | 7600930320   | Tornillo 3,9 x 9,5 para bloqueo              | 1        |
| 6   | 7401160000   | Rodamiento de bolas                          | 1        |
| 7   | 7400510000   | Pareja de consolas de fijación bruto 150     | 2        |
|     | 7400530000   | Pareja de consolas de fijación bruto 165     | 2        |
|     | 7400550000   | Pareja de consolas de fijación bruto 180     | 2        |
|     | 7400560000   | Pareja de consolas de fijación bruto 205     | 2        |
| 8   | 7401060000   | Placa consola 150                            | 2        |
|     | 7401070000   | Placa consola 165                            | 2        |
|     | 7401080000   | Placa consola 180                            | 2        |
|     | 7401090000   | Placa consola 205                            | 2        |
|     | 7600890320   | Tornillo cabeza cilíndrica 3,5x9,5 zincado   | 6        |
| 9   | 7400860017   | Guía de lama 37/41 blanca para guía 22x53    | 2        |
|     | 7400860044   | Guía de lama 37/41 negra para guía 22x53     | 2        |
|     | 7400850017   | Guía de lama blanca para guía 22x67          | 2        |
|     | 7400850044   | Guía de lama negra para guía 22x67           | 2        |
|     | 7600500000   | Tornillo 3,9 x 22                            | 4        |
| 10  | 7400380017   | Angulo de fijación para cajón Integro blanco | 1        |
|     | 7400380018   | Angulo de fijación para cajón Integro gris   | 1        |
|     | 7400380044   | Angulo de fijación para cajón Integro negro  | 1        |
| 11b | 7000880000   | Bloqueo antielevación Auto 1 eslabones       | 2        |
|     | 7000890000   | Bloqueo antielevación Auto 2 eslabones       | 2        |
| 12b | 7000890000   | Anillo pasador auto ø60                      | 4        |
| 13  | 7000110000   | Pinza para sujeción de tejido                | 2        |
| 14  | 7000740000   | Tope Reno                                    | 2        |

# RenolIntegro accionamiento eléctrico

|    |            |                       |   |
|----|------------|-----------------------|---|
| 15 | 7000310000 | Noyo de la lama 37    | 2 |
|    | 7000960000 | Noyo de la lama 37 SL | 2 |
|    | 7000300000 | Noyo de la lama 41    | 2 |

a, b = Set



# RenolIntegro manuell angetrieben mit Kurbel

| Pos | Artikelnummer | Beschreibung   | Menge  |
|-----|---------------|--|--------|
| 1   | 7300120000    | Getriebe Frankreich Reno rechts                            | 1      |
|     | 7301230000    | Getriebe Frankreich Reno links                             | 1      |
|     | 1615430000    | Getriebe Schweiz 5:1                                       | 1      |
|     | 1769970000    | Getriebe Schweiz 7:1                                       | 1      |
| 2   | 7100230000    | Walzenkapsel 40 für Getriebe Frankreich                    | 1      |
|     | 7100270000    | Teleskop-Walzenkapsel für Getriebe Schweiz                 | 1      |
| 3   | 7300320000    | Gelenklager Frankreich 90° L 500 mm                        | 1      |
|     | 7300330350    | Gelenklager Frankreich 90° L 350 mm                        | 1      |
|     | 7600560000    | Blockierschraube Gelenkkurbel für Gelenklager bei 90°      | 1      |
| 4   | 7100260000    | Walzenkapsel mit Scheibenaufnahme                          | 1      |
|     | 7600910320    | Schraube 3,9 x 25  | 1      |
| 5   | 7401170000    | Wälzlager PVC  | 1      |
| 6   | 7400510000    | Konsole Integro 150  | 2      |
|     | 7400530000    | Konsole Integro 165  | 2      |
|     | 7400550000    | Konsole Integro 180  | 2      |
|     | 7400560000    | Konsole Integro 205  | 2      |
| 7   | 7401000000    | Konsolplatte 150   | 2      |
|     | 7401010000    | Konsolplatte 165   | 2      |
|     | 7401020000    | Konsolplatte 180   | 2      |
|     | 7401030000    | Konsolplatte 205   | 2      |
|     | 7600890320    | Schraube 3,5 x 9,5   | 6      |
| 8   | 7400860017    | Lamellenführung 37 / 41 weiss für Führungsschiene 22 x 53  | 2      |
|     | 7400860044    | Lamellenführung 37 /41 schwarz für Führungsschiene 22 x 53 | 2      |
|     | 7400850017    | Lamellenführung weiss für Führungsschiene 22 x 67          | 2      |
|     | 7400850044    | Lamellenführung schwarz für Führungsschiene 22 x 67        | 2      |
|     | 7600500000    | Schraube 3,9 x 22  | 4      |
| 9   | 7400380017    | Paar Abstandswinkel für Kassette Integro weiss             | 1 Paar |
|     | 7400380018    | Paar Abstandswinkel für Kassette Integro grau              | 1 Paar |
|     | 7400380044    | Paar Abstandswinkel für Kassette Integro schwarz           | 1 Paar |
| 10a | 7000880000    | Automatische Hochschiebesicherung 1-gliedrig               | 2      |
|     | 7000890000    | Automatische Hochschiebesicherung 2-gliedrig               | 2      |
| 11a | 7000910000    | Ring automatische Hochschiebesicherung ø 40                | 4      |
| 12  | 7000110000    | Panzerbefestigung Klemme                                   | 2      |
| 13  | 7000740000    | Stopper Reno   | 2      |
| 14  | 7000310000    | Führungsnippel 37  | 2      |
|     | 7000960000    | Führungsnippel 37 SL                                       | 2      |
|     | 7000300000    | Führungsnippel 41  | 2      |
| 15  | 7300090017    | Kurbelhalter Schweiz weiss                                 | 1      |
|     | 7300090018    | Kurbelhalter Schweiz grau                                  | 2      |
|     | 7600910320    | Schraube 3,9 x 25  | 2      |

a = Set

# RenoIntegro manually driven with crank

| Pos | Item No.   | Denomination                                | Quantity |
|-----|------------|---|----------|
| 1   | 7300120000 | Reno gear France RHS                        | 1        |
|     | 7301230000 | Reno gear France LHS                        | 1        |
|     | 1615430000 | Gearbox Switzerland 5:1                     | 1        |
|     | 1769970000 | Gearbox Switzerland 7:1                     | 1        |
| 2   | 7100230000 | Tip 40 for gear France                      | 1        |
|     | 7100270000 | Telescopic tip for gear Switzerland         | 1        |
| 3   | 7300320000 | Toggle joint guide France 90° l 500mm       | 1        |
|     | 7300330350 | Toggle joint guide France 90° l 350mm       | 1        |
|     | 7600560000 | Screw for lever for toggle joint guide 90°  | 1        |
| 4   | 7100260000 | Pulley holder tip                           | 1        |
|     | 7600910320 | Screw 3.9 x 25                              | 1        |
| 5   | 7401170000 | PVC bearing                                 | 1        |
| 6   | 7400510000 | Integro console 150                         | 2        |
|     | 7400530000 | Integro console 165                         | 2        |
|     | 7400550000 | Integro console 180                         | 2        |
|     | 7400560000 | Integro console 205                         | 2        |
| 7   | 7401000000 | Console plate 150                           | 2        |
|     | 7401010000 | Console plate 165                           | 2        |
|     | 7401020000 | Console plate 180                           | 2        |
|     | 7401030000 | Console plate 205                           | 2        |
|     | 7600890320 | Screw 3.5 x 9.5                             | 6        |
| 8   | 7400860017 | Slat guide 37/41 white for guide rail 22x53 | 2        |
|     | 7400860044 | Slat guide 37/41 black for guide rail 22x53 | 2        |
|     | 7400850017 | Slat guide white for guide rail 22x67       | 2        |
|     | 7400850044 | Slat guide black for guide rail 22x67       | 2        |
|     | 7600500320 | Screw 3.9 x 22                              | 4        |
| 9   | 7400380017 | Pair of brackets for Integro cassette white | 1 pair   |
|     | 7400380018 | Pair of brackets for Integro cassette grey  | 1 pair   |
|     | 7400380044 | Pair of brackets for Integro cassette black | 1 pair   |
| 10a | 7000880000 | Automatic anti-lift device 1-link           | 2        |
|     | 7000890000 | Automatic anti-lift device 2-link           | 2        |
| 11a | 7000910000 | Auto Lock Ring ø40                          | 4        |
| 12  | 7000110000 | Clip for curtain clamp                      | 2        |
| 13  | 7000740000 | Reno stopper                                | 2        |
| 14  | 7000310000 | Guide nipple 37                             | 2        |
|     | 7000960000 | Guide nipple 37 SL                          | 2        |
|     | 7000300000 | Guide nipple 41                             | 2        |
| 15  | 7300090017 | Fastener for crank white Switzerland        | 1        |
|     | 7300090018 | Fastener for crank grey Switzerland         | 2        |
|     | 7600910320 | Screw 3.9 x 25                              | 2        |

a = Set

# Renointegro Treuil

| Pos | N° Article | Désignation   | Quantité |
|-----|------------|---|----------|
| 1   | 7301220000 | Treuil Minivis Droit hexagone 7 Carre 8mm           | 1        |
|     | 7301230000 | Treuil Minivis Gauche hexagone 7 Carre 8mm          | 1        |
|     | 1615430000 | Treuil Suisse 5:1                                   | 1        |
|     | 1769970000 | Treuil Suisse 7:1                                   | 1        |
| 2   | 7100230000 | Manchon octo 40 carré 8mm                           | 1        |
|     | 7100270000 | Tandem télescopique octo 40 pour treuil suisse      | 1        |
| 3   | 7300320000 | Guide genouillère 90° ø12 hexagone 7 Longueur 570   | 1        |
|     | 7300330350 | Guide genouillère 90° ø12 hexagone 7 Longueur 350   | 1        |
|     | 7600560000 | Vis zinguée pour genouillère à 90° + caoutchouc     | 1        |
| 4   | 7100260000 | Manchon long octo 40 porte Poulie                   | 1        |
|     | 7600910320 | Vis tôle tête cylindrique cruciforme 3.5x25 zingué  | 1        |
| 5   | 7401170000 | Roulement polyamide Reno                            | 1        |
| 6   | 7400510000 | Paire consoles Brut pour caisson UPK 150            | 2        |
|     | 7400530000 | Paire consoles Brut pour caisson UPK 165            | 2        |
|     | 7400550000 | Paire consoles Brut pour caisson UPK 180            | 2        |
|     | 7400560000 | Paire consoles Brut pour caisson UPK 205            | 2        |
| 7   | 7401000000 | Plaque de console 150 ø 55                          | 2        |
|     | 7401010000 | Plaque de console 165 ø 55                          | 2        |
|     | 7401020000 | Plaque de console 180 ø 55                          | 2        |
|     | 7401030000 | Plaque de console 205 ø 55                          | 2        |
|     | 7600890320 | Vis tôle tête cylindrique cruciforme 3.5x9.5 zingué | 6        |
| 8   | 7400860017 | Paire guide lame Mini Blanc                         | 2        |
|     | 7400860044 | Paire guide lame Mini Noir                          | 2        |
|     | 7400850017 | Paire guide lame H54 Blanc                          | 2        |
|     | 7400850044 | Paire guide lame H54 Noir                           | 2        |
|     | 7600500000 | Vis tôle 3.5x22 zingué                              | 4        |
| 9   | 7400380017 | Paire Cale pour caisson UPK Blanc                   | 1 paire  |
|     | 7400380018 | Paire Cale pour caisson UPK Gris                    | 1 paire  |
|     | 7400380044 | Paire Cale pour caisson UPK Noir                    | 1 paire  |
| 10a | 7000880000 | Verrou Auto 1 maillon easy                          | 2        |
|     | 7000890000 | Verrou Auto 2 maillons easy                         | 2        |
| 11a | 7000910000 | Bague Verrou Auto ø40 easy                          | 4        |
| 12  | 7000110000 | Attache tablier 4086 P à pince                      | 2        |
| 13  | 7000740000 | Stopper Réno sur lame Finale blanc                  | 2        |
| 14  | 7000310000 | Embout de lame 37                                   | 2        |
|     | 7000960000 | Embout de lame 37 SL                                | 2        |
|     | 7000300000 | Embout de lame 41                                   | 2        |
| 15  | 7300090017 | Fixateur pour manivelle Suisse blanc                | 1        |
|     | 7300090018 | Fixateur pour manivelle Suisse gris                 | 2        |
|     | 7600910320 | Vis tôle tête cylindrique cruciforme 3.5x25 zingué  | 2        |

a = Set



# Renointegro azionamento manuale con manovella

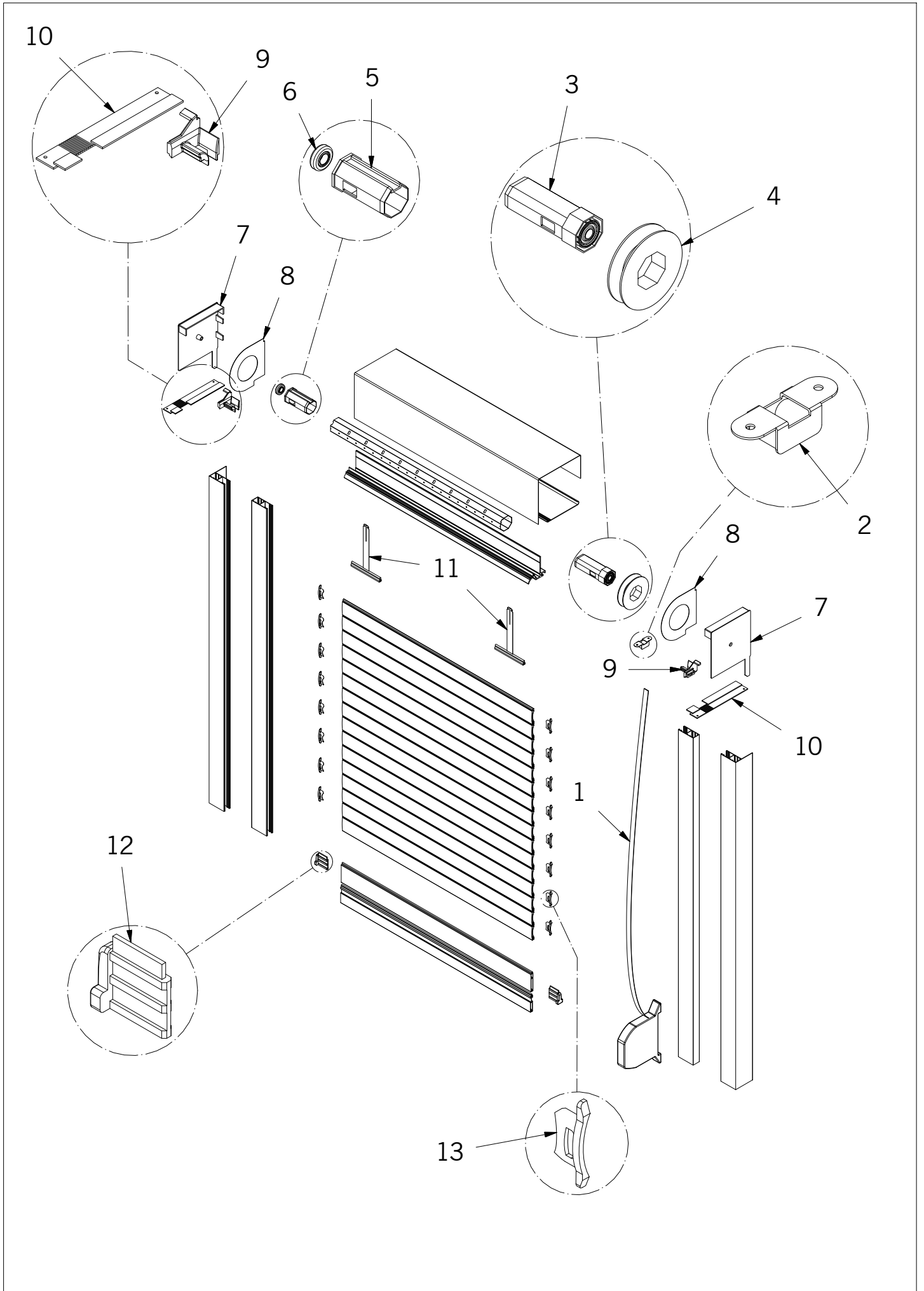
| Pos | No. articolo | Denominazione  | Quantità |
|-----|--------------|--|----------|
| 1   | 7300120000   | Arganello Francia Reno destra                                      | 1        |
|     | 7301230000   | Arganello Francia Reno sinistra                                    | 1        |
|     | 1615430000   | Arganello Svizzera 5:1   | 1        |
|     | 1769970000   | Arganello Svizzera 7:1   | 1        |
| 2   | 7100230000   | Manicotto 40 per arganello Francia                                 | 1        |
|     | 7100270000   | Manicotto telescopico per arganello svizzera                       | 1        |
| 3   | 7300320000   | Guida a ginocchiera Francia 90° lungh. 500 mm                      | 1        |
|     | 7300330350   | Guida a ginocchiera Francia 90° lungh. 350 mm                      | 1        |
|     | 7600560000   | Vite di bloccaggio manovella per guida a ginocchiera a 90°         | 1        |
| 4   | 7100260000   | Manicotto porta puleggia   | 1        |
|     | 7600910320   | Vite 3.9 x 25  | 1        |
| 5   | 7401170000   | Cuscinetto PVC   | 1        |
| 6   | 7400510000   | Mensola Integro 150  | 2        |
|     | 7400530000   | Mensola Integro 165  | 2        |
|     | 7400550000   | Mensola Integro 180  | 2        |
|     | 7400560000   | Mensola Integro 205  | 2        |
| 7   | 7401000000   | Piastra mensola 150  | 2        |
|     | 7401010000   | Piastra mensola 165  | 2        |
|     | 7401020000   | Piastra mensola 180  | 2        |
|     | 7401030000   | Piastra mensola 205  | 2        |
|     | 7600890320   | Vite 3.5 x 9.5   | 6        |
| 8   | 7400860017   | Guida lamella 37 / 41 colore bianco per guida di scorrimento 22x53 | 2        |
|     | 7400860044   | Guida lamella 37 /41 colore nero per guida di scorrimento 22x53    | 2        |
|     | 7400850017   | Guida lamella colore nero per guida di scorrimento 22x67           | 2        |
|     | 7400850044   | Guida lamella colore nero per guida di scorrimento 22x67           | 2        |
|     | 7600500000   | Vite 3.9 x 22  | 4        |
| 9   | 7400380017   | Coppia di spessori per cassonetto Integro bianco                   | 1 coppia |
|     | 7400380018   | Coppia di spessori per cassonetto Integro grigio                   | 1 coppia |
|     | 7400380044   | Coppia di spessori per cassonetto Integro nero                     | 1 coppia |
| 10a | 7000880000   | Chiavistello Auto 1 anello   | 2        |
|     | 7000890000   | Chiavistello Auto 2 anelli   | 2        |
| 11a | 7000910000   | Anello chiavistello Auto ø 40                                      | 4        |
| 12  | 7000110000   | Attacco telo a pinza   | 2        |
| 13  | 7000740000   | Fermo Reno   | 2        |
| 14  | 7000310000   | Perno di guida 37  | 2        |
|     | 7000960000   | Perno di guida 37 SL   | 2        |
|     | 7000300000   | Perno di guida 41  | 2        |
| 15  | 7300090017   | Fissatore per manovella Svizzera colore bianco                     | 1        |
|     | 7300090018   | Fissatore per manovella Svizzera colore grigio                     | 2        |
|     | 7600910320   | Vite 3.9 x 25  | 2        |

a = Set

# Renolntegro accionamiento manual con manivela

| Pos | No. artículo | Designación  | Cantidad |
|-----|--------------|--|----------|
| 1   | 7300120000   | Mecanismo Reno Francia derecha                       | 1        |
|     | 7301230000   | Mecanismo Reno Francia izquierda                     | 1        |
|     | 1615430000   | Mecanismo Suiza 5:1                                  | 1        |
|     | 1769970000   | Mecanismo Suiza 7:1                                  | 1        |
| 2   | 7100230000   | Adaptador 40 octogonal 8m cuadrado                   | 1        |
|     | 7100270000   | Conector telescópico para mecanismo Suiza            | 1        |
| 3   | 7300320000   | Manivela articulada Francia 90° largo 500 mm         | 1        |
|     | 7300330350   | Manivela articulada Francia 90° largo 350 mm         | 1        |
|     | 7600560000   | Tornillo bloqueo manivela para guía articulada a 90° | 1        |
| 4   | 7100260000   | Adaptador eje 40 octogonal                           | 1        |
|     | 7600910320   | Tornillo cabeza cilíndrica 3,9 x 25                  | 1        |
| 5   | 7401170000   | Cojinete PVC   | 1        |
| 6   | 7400510000   | Pareja de consolas de fijación bruto 150             | 2        |
|     | 7400530000   | Pareja de consolas de fijación bruto 165             | 2        |
|     | 7400550000   | Pareja de consolas de fijación bruto 180             | 2        |
|     | 7400560000   | Pareja de consolas de fijación bruto 205             | 2        |
| 7   | 7401000000   | Placa consola 150                                    | 2        |
|     | 7401010000   | Placa consola 165                                    | 2        |
|     | 7401020000   | Placa consola 180                                    | 2        |
|     | 7401030000   | Placa consola 205                                    | 2        |
|     | 7600890320   | Tornillo cabeza cilíndrica 3,5x9,5 zincado           | 6        |
| 8   | 7400860017   | Guía de lama 37/41 blanca para guía 22x53            | 2        |
|     | 7400860044   | Guía de lama 37/41 negra para guía 22x53             | 2        |
|     | 7400850017   | Guía de lama blanca para guía 22x67                  | 2        |
|     | 7400850044   | Guía de lama negra para guía 22x67                   | 2        |
|     | 7600500000   | Tornillo 3,9 x 22                                    | 4        |
| 9   | 7400380017   | Angulo de fijación para cajón Integro blanco         | 1 par    |
|     | 7400380018   | Angulo de fijación para cajón Integro gris           | 1 par    |
|     | 7400380044   | Angulo de fijación para cajón Integro negro          | 1 par    |
| 10a | 7000880000   | Bloqueo antielevación Auto 1 eslabones               | 2        |
|     | 7000890000   | Bloqueo antielevación Auto 2 eslabones               | 2        |
| 11a | 7000910000   | Anillo pasador Auto ø40                              | 4        |
| 12  | 7000110000   | Pinza para sujeción de tejido                        | 2        |
| 13  | 7000740000   | Tope Reno  | 2        |
| 14  | 7000310000   | Noyo de la lama 37                                   | 2        |
|     | 7000960000   | Noyo de la lama 37 SL                                | 2        |
|     | 7000300000   | Noyo de la lama 41                                   | 2        |
| 15  | 7300090017   | Fijador para manivela Suiza blanca                   | 1        |
|     | 7300090018   | Fijador para manivela Suiza gris                     | 2        |
|     | 7600910320   | Tornillo cabeza cilíndrica 3,9 x 25                  | 2        |

a = Set



# RenolIntegro manuell angetrieben mit Gurt

| Pos | Artikelnummer | Beschreibung   | Menge  |
|-----|---------------|--|--------|
| 1   | 7300400000    | Gurtwickler weiss  | 1      |
|     | 7600910320    | Schraube 3,9 x 25  | 2      |
| 2   | 7300500000    | Gurtführung  | 1      |
|     | 7600910320    | Schraube 3,9 x 25  | 2      |
| 3   | 7100260000    | Walzenkapsel mit Scheibenaufnahme                          | 1      |
|     | 7600930320    | Schraube 3,9 x 9,5 zum Blockieren                          | 1      |
| 4   | 7300900000    | Gurtscheibe ø 90   | 1      |
|     | 7300910000    | Gurtscheibe ø 115  | 1      |
|     | 7300920000    | Gurtscheibe ø 125  | 1      |
|     | 7300930000    | Gurtscheibe ø 140  | 1      |
| 5   | 7100300000    | Walzenkapsel gegenüber Antriebsseite                       | 1      |
| 6   | 7401170000    | Wälzlager PVC  | 2      |
| 7   | 7400510000    | Konsole Integro 150  | 2      |
|     | 7400530000    | Konsole Integro 165  | 2      |
|     | 7400550000    | Konsole Integro 180  | 2      |
|     | 7400560000    | Konsole Integro 205  | 2      |
| 8   | 7400100000    | Konsolplatte 150   | 2      |
|     | 7401010000    | Konsolplatte 165   | 2      |
|     | 7401020000    | Konsolplatte 180   | 2      |
|     | 7401030000    | Konsolplatte 205   | 2      |
|     | 7600890320    | Schraube 3,5 x 9,5   | 6      |
| 9   | 7400860017    | Lamellenführung 37 / 41 weiss für Führungsschiene 22 x 53  | 2      |
|     | 7400860044    | Lamellenführung 37 /41 schwarz für Führungsschiene 22 x 53 | 2      |
|     | 7600500000    | Schraube 3,9 x 22  | 4      |
| 10  | 7400380017    | Paar Abstandswinkel für Kassette Integro weiss             | 1 Paar |
|     | 7400380018    | Paar Abstandswinkel für Kassette Integro grau              | 1 Paar |
|     | 7400380044    | Paar Abstandswinkel für Kassette Integro schwarz           | 1 Paar |
| 11  | 7000110000    | Panzerbefestigung Klemme                                   | 2      |
| 12  | 7000740000    | Stopper Reno   | 2      |
| 13  | 7000310000    | Führungsnippel 37  | 2      |
|     | 7000300000    | Führungsnippel 41  | 2      |

# RenoIntegro manually driven with belt

| Pos | Item No.   | Denomination                                | Quantity |
|-----|------------|---|----------|
| 1   | 7300400000 | White Reel                                  | 1        |
|     | 7600910320 | Screw 3.9 x 25                              | 2        |
| 2   | 7300500000 | Strap guide                                 | 1        |
|     | 7600910320 | Screw 3.9x25                                | 2        |
| 3   | 7100260000 | Pulley holder tip                           | 1        |
|     | 7600930320 | Screw 3.9 x 9.5 for fastening               | 1        |
| 4   | 7300900000 | Strap pulley ø 90                           | 1        |
|     | 7300910000 | Strap pulley ø 115                          | 1        |
|     | 7300920000 | Strap pulley ø 125                          | 1        |
|     | 7300930000 | Strap pulley ø 140                          | 1        |
| 5   | 7100300000 | Side opposite rolling tip                   | 1        |
| 6   | 7401170000 | PVC bearing                                 | 2        |
| 7   | 7400510000 | Integro console 150                         | 2        |
|     | 7400530000 | Integro console 165                         | 2        |
|     | 7400550000 | Integro console 180                         | 2        |
|     | 7400560000 | Integro console 205                         | 2        |
| 8   | 7401000000 | Console plate 150                           | 2        |
|     | 7401010000 | Console plate 165                           | 2        |
|     | 7401020000 | Console plate 180                           | 2        |
|     | 7401030000 | Console plate 205                           | 2        |
|     | 7600890320 | Screw 3.5 x 9.5                             | 6        |
| 9   | 7400860017 | Slat guide 37/41 white for guide rail 22x53 | 2        |
|     | 7400860044 | Slat guide 37/41 black for guide rail 22x53 | 2        |
|     | 7600500000 | Screw 3.9 x 22                              | 4        |
| 10  | 7400380017 | Pair of brackets for Integro cassette white | 1 pair   |
|     | 7400380018 | Pair of brackets for Integro cassette grey  | 1 pair   |
|     | 7400380044 | Pair of brackets for Integro cassette black | 1 pair   |
| 11  | 7000110000 | Clip for curtain clamp                      | 2        |
| 12  | 7000740000 | Reno stopper                                | 2        |
| 13  | 7000310000 | Guide nipple 37                             | 2        |
|     | 7000300000 | Guide nipple 41                             | 2        |

# Renointegro Sangle

| Pos | N° Article | Désignation   | Quantité |
|-----|------------|---|----------|
| 1   | 7300400000 | Enrouleur sangle 4.5m x 14mm Blanc                  | 1        |
|     | 7600910320 | Vis tôle tête cylindrique cruciforme 3.5x25 zingué  | 2        |
| 2   | 7300500000 | Guide sangle 15mm                                   | 1        |
|     | 7600910320 | Vis tôle tête cylindrique cruciforme 3.5x25 zingué  | 2        |
| 3   | 7100260000 | Manchon long octo 40 porte Poulie                   | 1        |
|     | 7600930320 | Vis tôle tête cylindrique cruciforme 3.9x9.5 zingué | 1        |
| 4   | 7300900000 | Poulie sangle ø 90                                  | 1        |
|     | 7300910000 | Poulie sangle ø 115                                 | 1        |
|     | 7300920000 | Poulie sangle ø 125                                 | 1        |
|     | 7300930000 | Poulie sangle ø 140                                 | 1        |
| 5   | 7100300000 | Manchon octo 40 porte roulement                     | 1        |
| 6   | 7401170000 | Roulement polyamide Reno                            | 2        |
| 7   | 7400510000 | Paire consoles Brut pour caisson UPK 150            | 2        |
|     | 7400530000 | Paire consoles Brut pour caisson UPK 165            | 2        |
|     | 7400550000 | Paire consoles Brut pour caisson UPK 180            | 2        |
|     | 7400560000 | Paire consoles Brut pour caisson UPK 205            | 2        |
| 8   | 7400100000 | Plaque de console 150 ø 55                          | 2        |
|     | 7401010000 | Plaque de console 165 ø 55                          | 2        |
|     | 7401020000 | Plaque de console 180 ø 55                          | 2        |
|     | 7401030000 | Plaque de console 205 ø 55                          | 2        |
|     | 7600890320 | Vis tôle tête cylindrique cruciforme 3.5x9.5 zingué | 6        |
| 9   | 7400860017 | Paire guide lame Mini Blanc                         | 2        |
|     | 7400860044 | Paire guide lame Mini Noir                          | 2        |
|     | 7600500000 | Vis tôle 3.5x22 zingué                              | 4        |
| 10  | 7400380017 | Paire Cale pour caisson UPK Blanc                   | 1 paire  |
|     | 7400380018 | Paire Cale pour caisson UPK Gris                    | 1 paire  |
|     | 7400380044 | Paire Cale pour caisson UPK Noir                    | 1 paire  |
| 11  | 7000110000 | Attache tablier 4086 P à pince                      | 2        |
| 12  | 7000740000 | Stopper Réno sur lame Finale blanc                  | 2        |
| 13  | 7000310000 | Embout de lame 37                                   | 2        |
|     | 7000300000 | Embout de lame 41                                   | 2        |

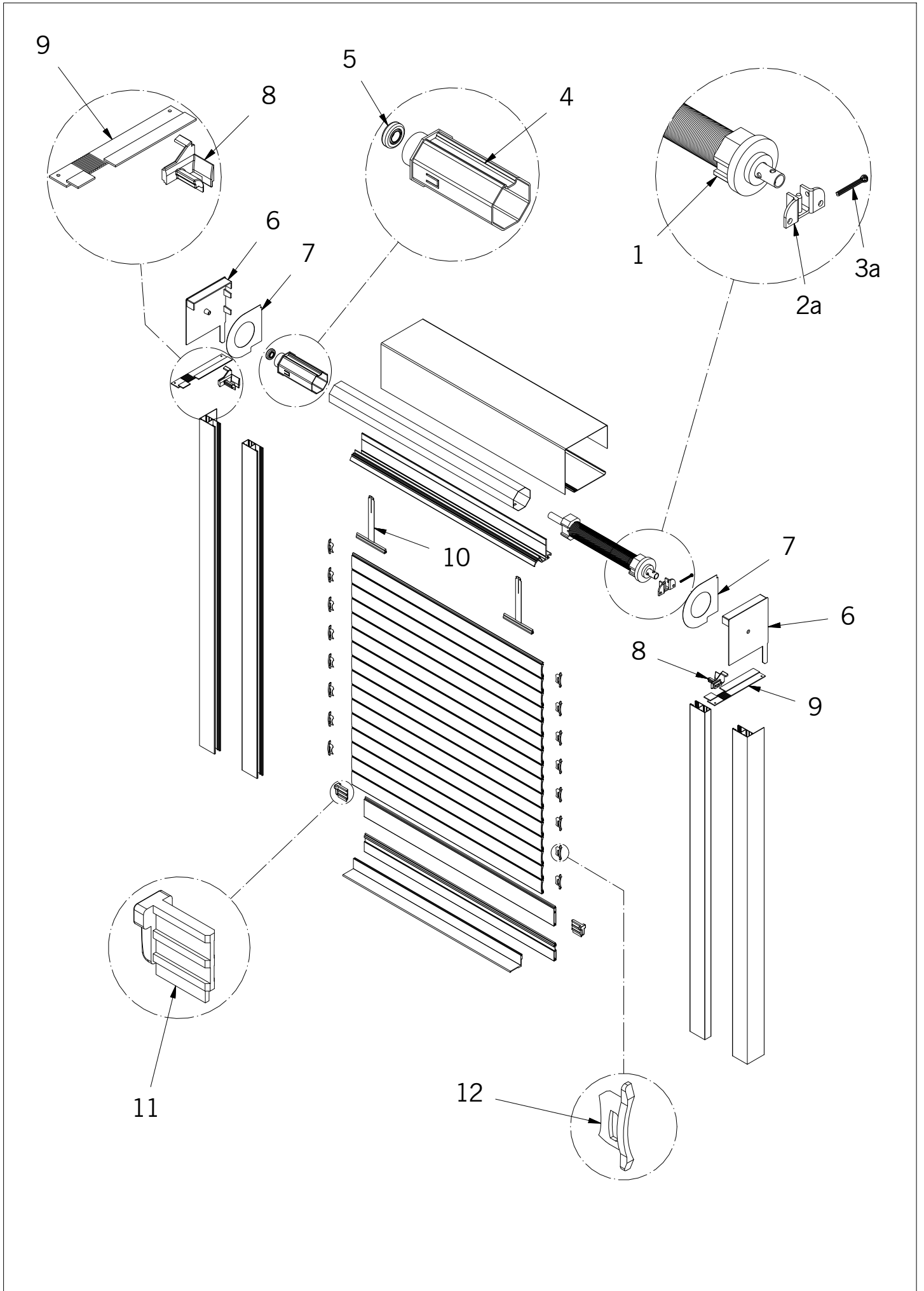
# Renointegro azionamento manuale con cinghia

| Pos | No. articolo | Denominazione  | Quantità |
|-----|--------------|--|----------|
| 1   | 7300400000   | Avvolgitore bianco   | 1        |
|     | 7600910320   | Vite 3.9 x 25  | 2        |
| 2   | 7300500000   | Guida cinghia  | 1        |
|     | 7600910320   | Vite 3.9 x 25  | 2        |
| 3   | 7100260000   | Manicotto porta puleggia   | 1        |
|     | 7600930320   | Vite 3.9 x 9.5   | 1        |
| 4   | 7300900000   | Puleggia cinghia ø 90  | 1        |
|     | 7300910000   | Puleggia cinghia ø 115   | 1        |
|     | 7300920000   | Puleggia cinghia ø 125   | 1        |
|     | 7300930000   | Puleggia cinghia ø 140   | 1        |
| 5   | 7100300000   | Manicotto opposto alla manovra                                     | 1        |
| 6   | 7401170000   | Cuscinetto PVC   | 2        |
| 7   | 7400510000   | Mensola Integro 150  | 2        |
|     | 7400530000   | Mensola Integro 165  | 2        |
|     | 7400550000   | Mensola Integro 180  | 2        |
|     | 7400560000   | Mensola Integro 205  | 2        |
| 8   | 7401000000   | Piastra mensola 150  | 2        |
|     | 7401010000   | Piastra mensola 165  | 2        |
|     | 7401020000   | Piastra mensola 180  | 2        |
|     | 7401030000   | Piastra mensola 205  | 2        |
|     | 7600890320   | Vite 3.5 x 9.5   | 6        |
| 9   | 7400860017   | Guida lamella 37 / 41 colore bianco per guida di scorrimento 22x53 | 2        |
|     | 7400860044   | Guida lamella 37 /41 colore nero per guida di scorrimento 22x53    | 2        |
|     | 7600500000   | Vite 3.9 x 22  | 4        |
| 10  | 7400380017   | Coppia di spessori per cassonetto Integro bianco                   | 1 coppia |
|     | 7400380018   | Coppia di spessori per cassonetto Integro grigio                   | 1 coppia |
|     | 7400380044   | Coppia di spessori per cassonetto Integro nero                     | 1 coppia |
| 11  | 7000110000   | Attacco telo a pinza   | 2        |
| 12  | 7000740000   | Fermo Reno   | 2        |
| 13  | 7000310000   | Perno di guida 37  | 2        |
|     | 7000300000   | Perno di guida 41  | 2        |

# RenolIntegro accionamiento manual con correa

| Pos | No. artículo | Designación                                  | Cantidad |
|-----|--------------|--|----------|
| 1   | 7300400000   | Recoger cinta blanco                         | 1        |
|     | 7600910320   | Tornillo cabeza cilíndrica 3,9 x 25          | 2        |
| 2   | 7300500000   | Embudo para cinta                            | 1        |
|     | 7600910320   | Tornillo cabeza cilíndrica 3,9 x 25          | 2        |
| 3   | 7100260000   | Adaptador eje 40 octogonal                   | 1        |
|     | 7600930320   | Tornillo cabeza cilíndrica 3,9 x 25          | 1        |
| 4   | 7300900000   | Polea correa ø 90                            | 1        |
|     | 7300910000   | Polea correa ø 115                           | 1        |
|     | 7300920000   | Polea correa ø 125                           | 1        |
|     | 7300930000   | Polea correa ø 140                           | 1        |
| 5   | 7100300000   | Adaptador eje 40 octogonal                   | 1        |
| 6   | 7401170000   | Cojinete PVC                                 | 2        |
| 7   | 7400510000   | Pareja de consolas de fijación bruto 150     | 2        |
|     | 7400530000   | Pareja de consolas de fijación bruto 165     | 2        |
|     | 7400550000   | Pareja de consolas de fijación bruto 180     | 2        |
|     | 7400560000   | Pareja de consolas de fijación bruto 205     | 2        |
| 8   | 7401000000   | Placa consola 150                            | 2        |
|     | 7401010000   | Placa consola 165                            | 2        |
|     | 7401020000   | Placa consola 180                            | 2        |
|     | 7401030000   | Placa consola 205                            | 2        |
|     | 7600890320   | Tornillo cabeza cilíndrica 3,5x9,5 zincado   | 6        |
| 9   | 7400860017   | Guía de lama 37/41 blanca para guía 22x53    | 2        |
|     | 7400860044   | Guía de lama 37/41 negra para guía 22x53     | 2        |
|     | 7600500000   | Tornillo 3,9 x 22                            | 4        |
| 10  | 7400380017   | Angulo de fijación para cajón Integro blanco | 1 par    |
|     | 7400380018   | Angulo de fijación para cajón Integro gris   | 1 par    |
|     | 7400380044   | Angulo de fijación para cajón Integro negro  | 1 par    |
| 11  | 7000110000   | Pinza para sujeción de tejido                | 2        |
| 12  | 7000740000   | Tope Reno                                    | 2        |
| 13  | 7000310000   | Noyo de la lama 37                           | 2        |
|     | 7000300000   | Noyo de la lama 41                           | 2        |





# RenolIntegro manuell angetrieben direkt

| Pos | Artikelnummer | Beschreibung   | Menge  |
|-----|---------------|--|--------|
| 1   | 7100120000    | Ausgleichfeder   | 1      |
|     | 7600930320    | Schraube 3,9 x 9,5   | 1      |
| 2a  | 7400690000    | Aufschraublager mit Zapfen                                 | 1      |
| 3a  | 7600250320    | Splint   | 1      |
| 4   | 7100390000    | Walzenkapsel 60 mit Wälzlageraufnahme                      | 1      |
|     | 7600930320    | Schraube 3,9 x 9,5 zum Blockieren                          | 1      |
| 5   | 7401160000    | Kugellager Reno  | 1      |
| 6   | 7400510000    | Konsole Integro 150  | 2      |
|     | 7400530000    | Konsole Integro 165  | 2      |
|     | 7400550000    | Konsole Integro 180  | 2      |
|     | 7400560000    | Konsole Integro 205  | 2      |
| 7   | 7401060000    | Konsolplatte 150   | 2      |
|     | 7401070000    | Konsolplatte 165   | 2      |
|     | 7401080000    | Konsolplatte 180   | 2      |
|     | 7401090000    | Konsolplatte 205   | 2      |
|     | 7600890320    | Schraube 3,5 x 9,5   | 6      |
| 8   | 7400860017    | Lamellenführung 37 / 41 weiss für Führungsschiene 22 x 53  | 2      |
|     | 7400860044    | Lamellenführung 37 /41 schwarz für Führungsschiene 22 x 53 | 2      |
|     | 7600500000    | Schraube 3,9 x 22  | 4      |
| 9   | 7400380017    | Paar Abstandswinkel für Kassette Integro weiss             | 1 Paar |
|     | 7400380018    | Paar Abstandswinkel für Kassette Integro grau              | 1 Paar |
|     | 7400380044    | Paar Abstandswinkel für Kassette Integro schwarz           | 1 Paar |
| 10  | 7000110000    | Panzerbefestigung Klemme                                   | 2      |
| 11  | 7000740000    | Stopper Reno   | 2      |
| 12  | 7000310000    | Führungsnippel 37  | 2      |
|     | 7000300000    | Führungsnippel 41  | 2      |

a = Set

# RenoIntegro manually driven direct

| Pos | Item No.   | Denomination                                | Quantity |
|-----|------------|---|----------|
| 1   | 7100120000 | Compensating spring                         | 1        |
|     | 7600930320 | Screw 3.9 x 9.5                             | 1        |
| 2a  | 7400690000 | Spindle bearing                             | 1        |
| 3a  | 7600250320 | Pin   | 1        |
| 4   | 7100390000 | 60 tip bearing holder                       | 1        |
|     | 7600930320 | Screw 3.9 x 9.5 for fastening               | 1        |
| 5   | 7401160000 | Ball bearing Reno                           | 1        |
| 6   | 7400510000 | Integro console 150                         | 2        |
|     | 7400530000 | Integro console 165                         | 2        |
|     | 7400550000 | Integro console 180                         | 2        |
|     | 7400560000 | Integro console 205                         | 2        |
| 7   | 7401060000 | Console plate 150                           | 2        |
|     | 7401070000 | Console plate 165                           | 2        |
|     | 7401080000 | Console plate 180                           | 2        |
|     | 7401090000 | Console plate 205                           | 2        |
|     | 7600890320 | Screw 3.5 x 9.5                             | 6        |
| 8   | 7400860017 | Slat guide 37/41 white for guide rail 22x53 | 2        |
|     | 7400860044 | Slat guide 37/41 black for guide rail 22x53 | 2        |
|     | 7600500000 | Screw 3.9 x 22                              | 4        |
| 9   | 7400380017 | Pair of brackets for Integro cassette white | 1 pair   |
|     | 7400380018 | Pair of brackets for Integro cassette grey  | 1 pair   |
|     | 7400380044 | Pair of brackets for Integro cassette black | 1 pair   |
| 10  | 7000110000 | Clip for curtain clamp                      | 2        |
| 11  | 7000740000 | Reno stopper                                | 2        |
| 12  | 7000310000 | Guide nipple 37                             | 2        |
|     | 7000300000 | Guide nipple 41                             | 2        |

a = Set

# Renolntegro Tirage Direct

| Pos | N° Article | Désignation   | Quantité |
|-----|------------|---|----------|
| 1   | 7100120000 | Ressort de compensation Gauche de 400 axe octo 60   | 1        |
|     | 7600930320 | Vis tôle tête cylindrique cruciforme 3.9x9.5 zingué | 1        |
| 2a  | 7400690000 | Coussinet à broche                                  | 1        |
| 3a  | 7600250320 | Goupille fendue 4x3.2 zingué                        | 1        |
| 4   | 7100390000 | Manchon octo 60 porte roulement                     | 1        |
|     | 7600930320 | Vis tôle tête cylindrique cruciforme 3.9x9.5 zingué | 1        |
| 5   | 7401160000 | Roulement à billes Reno                             | 1        |
| 6   | 7400510000 | Paire consoles Brut pour caisson UPK 150            | 2        |
|     | 7400530000 | Paire consoles Brut pour caisson UPK 165            | 2        |
|     | 7400550000 | Paire consoles Brut pour caisson UPK 180            | 2        |
|     | 7400560000 | Paire consoles Brut pour caisson UPK 205            | 2        |
| 7   | 7401060000 | Plaque de console 150 ø 72                          | 2        |
|     | 7401070000 | Plaque de console 165 ø 72                          | 2        |
|     | 7401080000 | Plaque de console 180 ø 72                          | 2        |
|     | 7401090000 | Plaque de console 205 ø 72                          | 2        |
|     | 7600890320 | Vis tôle tête cylindrique cruciforme 3.5x9.5 zingué | 6        |
| 8   | 7400860017 | Paire guide lame Mini Blanc                         | 2        |
|     | 7400860044 | Paire guide lame Mini Noir                          | 2        |
|     | 7600500000 | Vis tôle 3.5x22 zingué                              | 4        |
| 9   | 7400380017 | Paire Cale pour caisson UPK Blanc                   | 1 paire  |
|     | 7400380018 | Paire Cale pour caisson UPK Gris                    | 1 paire  |
|     | 7400380044 | Paire Cale pour caisson UPK Noir                    | 1 paire  |
| 10  | 7000110000 | Attache tablier 4086 P à pince                      | 2        |
| 11  | 7000740000 | Stopper Réno sur lame Finale blanc                  | 2        |
| 12  | 7000310000 | Embout de lame 37                                   | 2        |
|     | 7000300000 | Embout de lame 41                                   | 2        |

a = Set

# Renointegro azionamento diretto

| Pos | No. articolo | Denominazione  | Quantità |
|-----|--------------|--|----------|
| 1   | 7100120000   | Molla tenditrice di compensazione                                  | 1        |
|     | 7600930320   | Vite 3.9 x 9.5   | 1        |
| 2a  | 7400690000   | Cuscinetto con perno   | 1        |
| 3a  | 7600250320   | Coppiglia  | 1        |
| 4   | 7100390000   | Manicotto da 60 porta cuscinetto                                   | 1        |
|     | 7600930320   | Vite 3.9 x 9.5 per bloccaggio                                      | 1        |
| 5   | 7401160000   | Cuscinetto a sfere Reno  | 1        |
| 6   | 7400510000   | Mensola Integro 150  | 2        |
|     | 7400530000   | Mensola Integro 165  | 2        |
|     | 7400550000   | Mensola Integro 180  | 2        |
|     | 7400560000   | Mensola Integro 205  | 2        |
| 7   | 7401060000   | Piastra mensola 150  | 2        |
|     | 7401070000   | Piastra mensola 165  | 2        |
|     | 7401080000   | Piastra mensola 180  | 2        |
|     | 7401090000   | Piastra mensola 205  | 2        |
|     | 7600890320   | Vite 3.5 x 9.5   | 6        |
| 8   | 7400860017   | Guida lamella 37 / 41 colore bianco per guida di scorrimento 22x53 | 2        |
|     | 7400860044   | Guida lamella 37 /41 colore nero per guida di scorrimento 22x53    | 2        |
|     | 7600500000   | Vite 3.9 x 22  | 4        |
| 9   | 7400380017   | Coppia di spessori per cassonetto Integro bianco                   | 1 coppia |
|     | 7400380018   | Coppia di spessori per cassonetto Integro grigio                   | 1 coppia |
|     | 7400380044   | Coppia di spessori per cassonetto Integro nero                     | 1 coppia |
| 10  | 7000110000   | Attacco telo a pinza   | 2        |
| 11  | 7000740000   | Fermo Reno   | 2        |
| 12  | 7000310000   | Perno di guida 37  | 2        |
|     | 7000300000   | Perno di guida 41  | 2        |

a = Set

# RenolIntegro accionamiento manual directamente

| Pos | No. artículo | Designación   | Cantidad |
|-----|--------------|---|----------|
| 1   | 7100120000   | Muelle tensor de compensación de 400 eje 60 octogonal | 1        |
|     | 7600930320   | Tornillo cabeza cilíndrica 3,9 x 9,5                  | 1        |
| 2a  | 7400690000   | Cojinete con pasador                                  | 1        |
| 3a  | 7600250320   | Pasador 4x3.2 zincado                                 | 1        |
| 4   | 7100390000   | Adaptador eje 60 octogonal                            | 1        |
|     | 7600930320   | Tornillo 3,9 x 9,5 para bloqueo                       | 1        |
| 5   | 7401160000   | Rodamiento de bolas                                   | 1        |
| 6   | 7400510000   | Pareja de consolas de fijación bruto 150              | 2        |
|     | 7400530000   | Pareja de consolas de fijación bruto 165              | 2        |
|     | 7400550000   | Pareja de consolas de fijación bruto 180              | 2        |
|     | 7400560000   | Pareja de consolas de fijación bruto 205              | 2        |
| 7   | 7401060000   | Placa consola 150                                     | 2        |
|     | 7401070000   | Placa consola 165                                     | 2        |
|     | 7401080000   | Placa consola 180                                     | 2        |
|     | 7401090000   | Placa consola 205                                     | 2        |
|     | 7600890320   | Tornillo cabeza cilíndrica 3,5x9,5 zincado            | 6        |
| 8   | 7400860017   | Guía de lama 37/41 blanca para guía 22x53             | 2        |
|     | 7400860044   | Guía de lama 37/41 negra para guía 22x53              | 2        |
|     | 7600500000   | Tornillo 3,9 x 22                                     | 4        |
| 9   | 7400380017   | Angulo de fijación para cajón Integro blanco          | 1 par    |
|     | 7400380018   | Angulo de fijación para cajón Integro gris            | 1 par    |
|     | 7400380044   | Angulo de fijación para cajón Integro negro           | 1 par    |
| 10  | 7000110000   | Pinza para sujeción de tejido                         | 2        |
| 11  | 7000740000   | Tope Reno   | 2        |
| 12  | 7000310000   | Noyo de la lama 37                                    | 2        |
|     | 7000300000   | Noyo de la lama 41                                    | 2        |

a = Set