

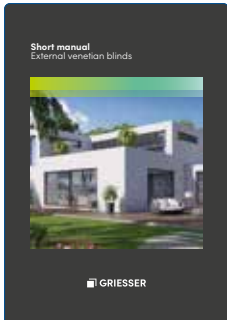
Short manual

Connection technique

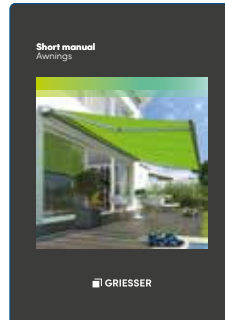




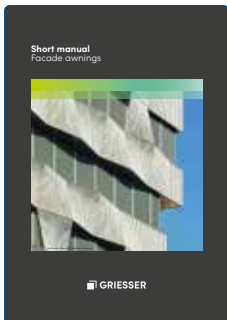
All short manuals for download



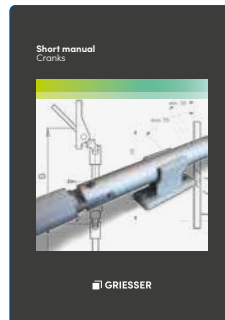
[External venetian blinds](#)



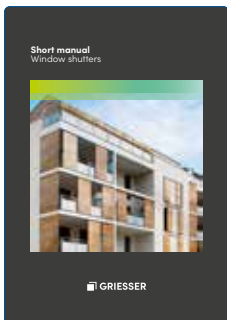
[Awnings](#)



[Facade awnings](#)



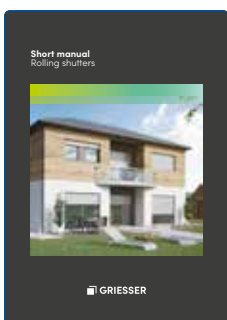
[Cranks](#)



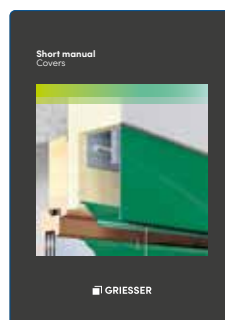
[Window shutters](#)



[Connection technique](#)



[Rolling shutters](#)




[Covers](#)



Connection technique

Table of contents

Connection diagrams	5
Power supply for radio receiver	31
Cable connections	35
Min. space requirem. for plugs/radio receivers	39
Index	43

 The information and values given refer to our products in their standard version according to the brochure and intended use/application.

Connection diagrams

Drive for external venetian blinds

STAS4-3E	6
STAS3-2E	8
STAS4-3E Comfort	10
STAS3-2E Comfort	12
STAS3-3E BiLine Comfort	14
STAS3-2E BiLine Comfort	16
STAS3-2E Geiger AIR	18
STAS3-2E RTS STAS3-2E IO	20

Drive for tube products

STAS3-2E	Rolling shutters Awnings	22
STAS3-2E RTS	Rolling shutters Awnings	24
WAGO-2E	Rolpac® III	26
WAGO-2E	Rolpac® III RTS-IO	28

STAS4-3E

Technical data

Power supply	Number of end switches
230 V AC	3

! Installation and maintenance work may be performed by trained professionals only.
 The electrical power must be cut off in order to work on the system.

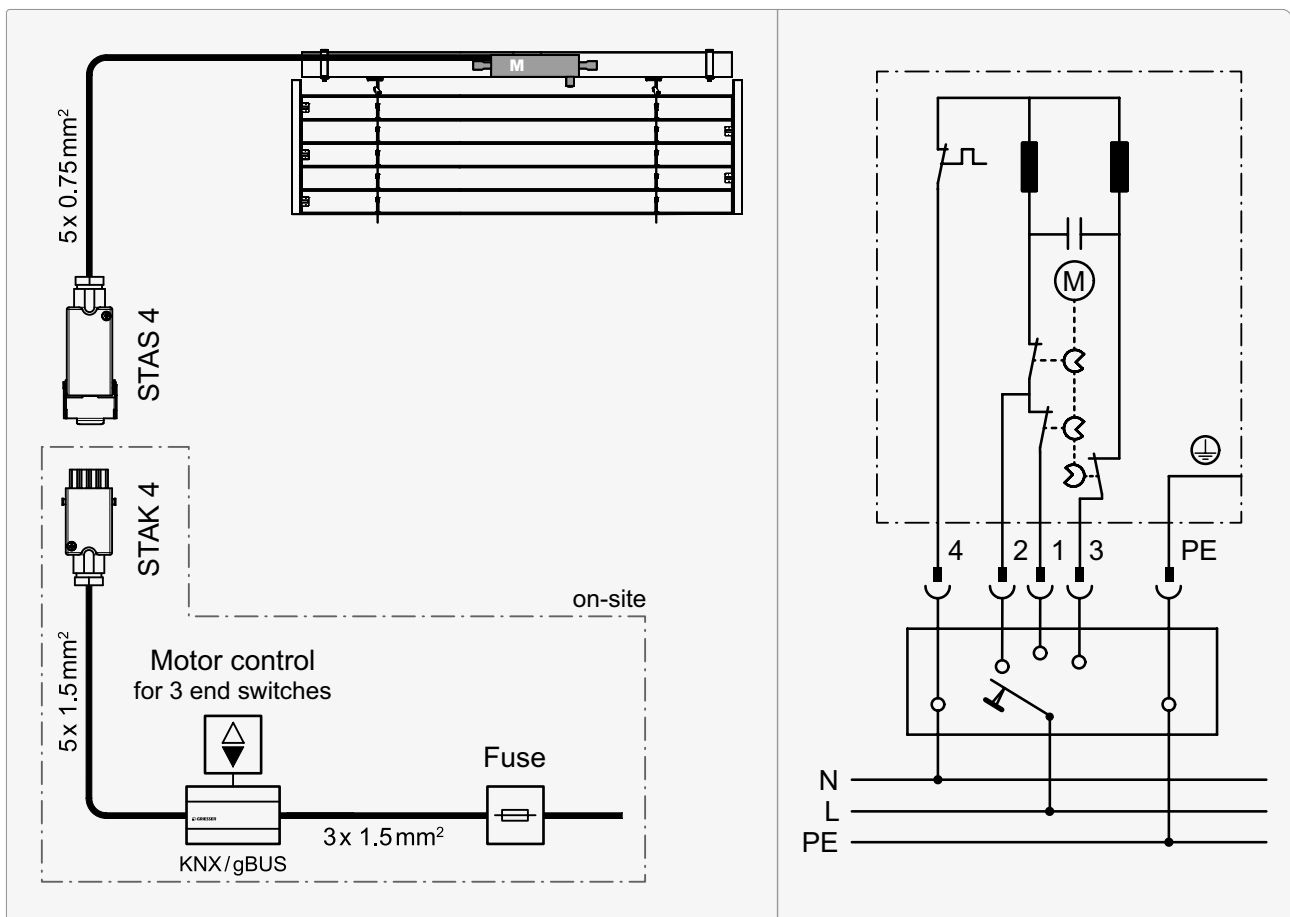
The operating commands must be locked mechanically or electrically and have a changeover time of min. 500 ms.

Motors must not be switched in parallel.

Local operation as per technical supplement for motor control unit.

Caution! Incorrectly connecting the motor can cause damage!

Connection diagramm

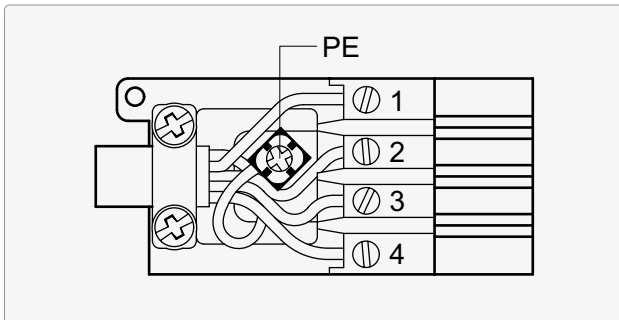


↓ STAS4-3E

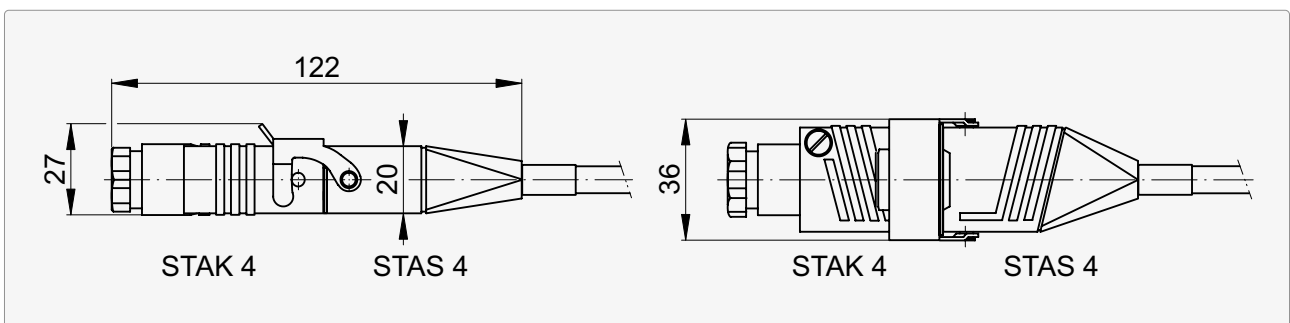


▶▶ STAS4-3E

Plug STAK 4



1	▼	Down 1	gray
2	▼	Down 2	black
3	△	Up	brown
4	N	Neutral connector	blue
PE	⊕	Protective connector	yellow/green



STAS3-2E

Technical data

Power supply	Number of end switches
230 V AC	2

! Installation and maintenance work may be performed by trained professionals only.
 The electrical power must be cut off in order to work on the system.

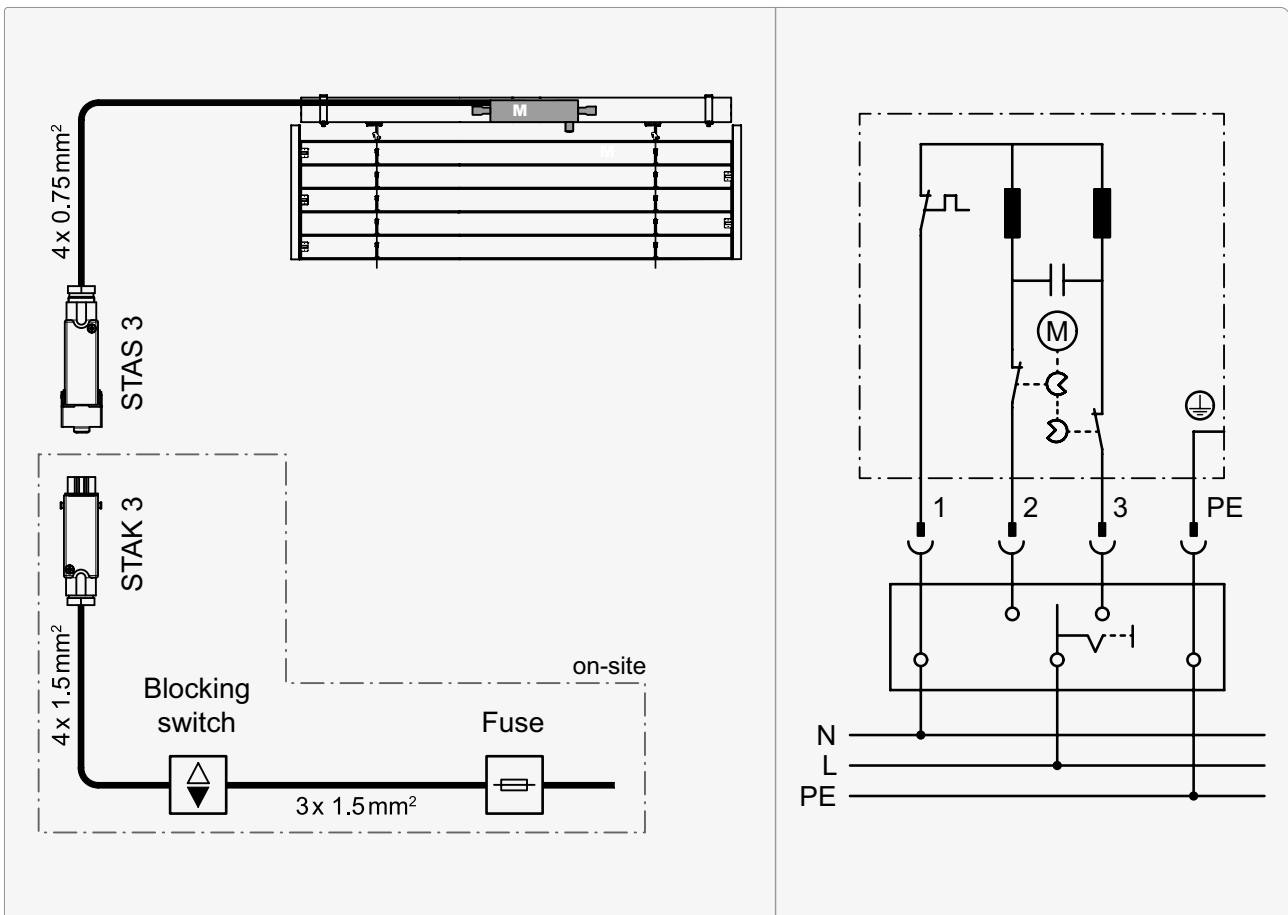
The operating commands must be locked mechanically or electrically and have a changeover time of min. 500 ms.

Motors must not be switched in parallel.

The snap holders must be mutually locking.

Caution! Incorrectly connecting the motor can cause damage!

Connection diagramm

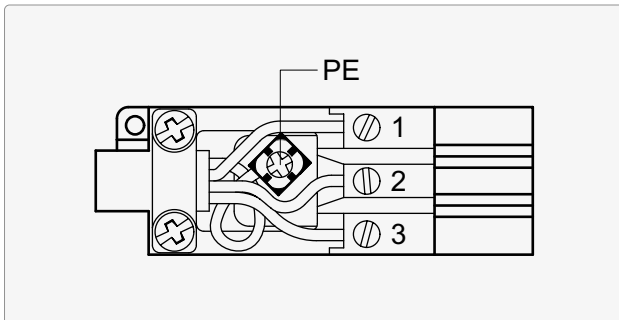


↓ STAS3-2E

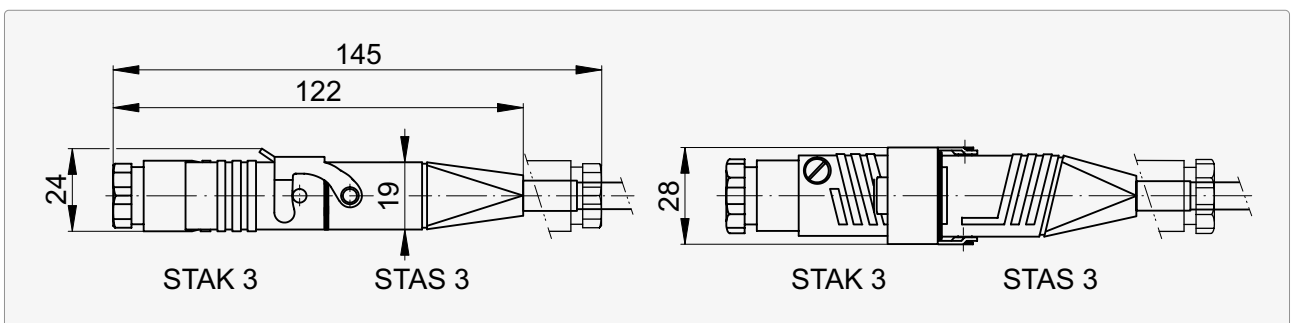


▶▶ STAS3-2E

Plug STAK 3



1	N	Neutral connector	blue
2	△	Up	brown
3	▼	Down	black
PE	⊕	Protective connector	yellow/green



STAS4-3E Comfort



Technical data

Power supply	Number of end switches
230 V AC	3

! Installation and maintenance work may be performed by trained professionals only. The electrical power must be cut off in order to work on the system.

The operating commands must be locked mechanically or electrically and have a changeover time of min. 500 ms.

No more than two comfort motors should be connected in parallel to the same motor control.

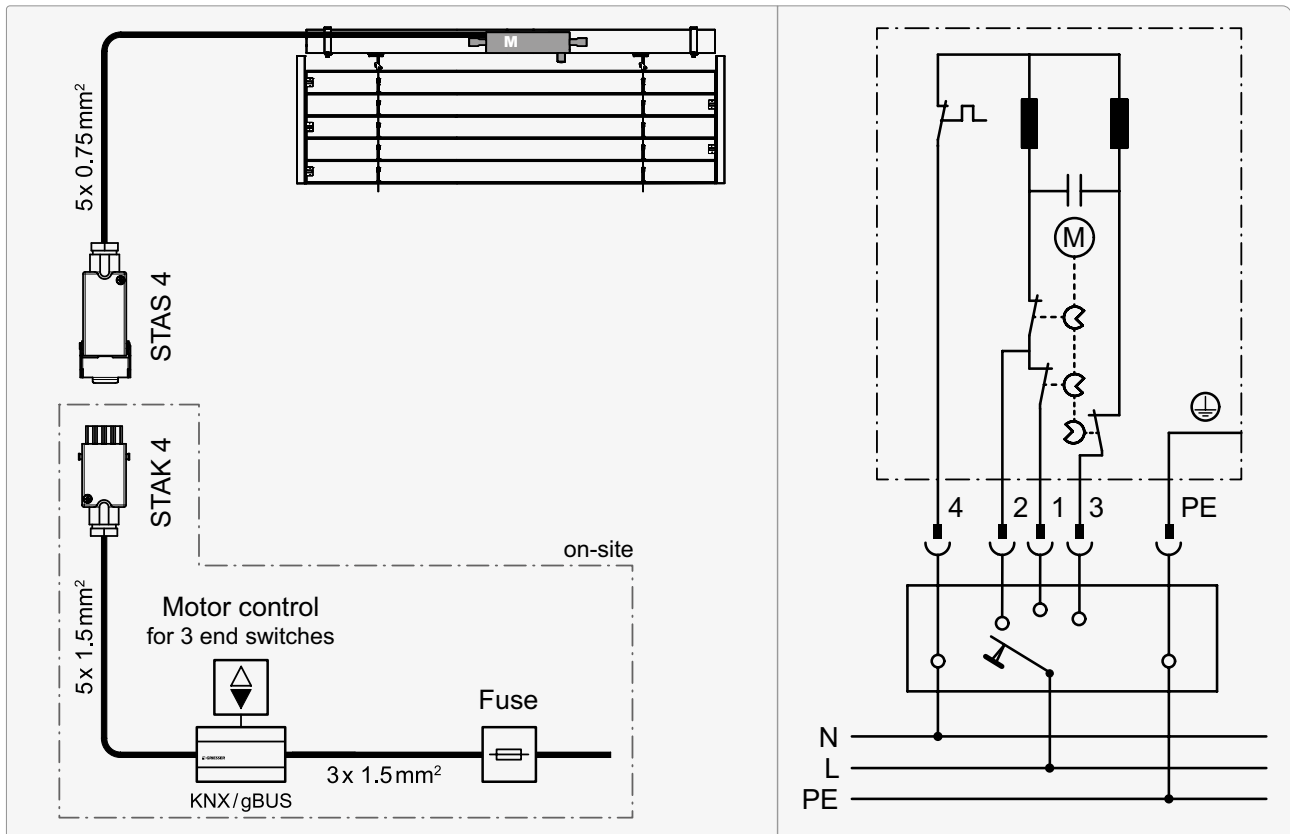
Local operation as per technical supplement for motor control unit.

Caution! Incorrectly connecting the motor can cause damage!

The switching current of the pre-fitted control must be taken into consideration!

i The comfort motor has at **starting current** of 1.0A.

Connection diagramm

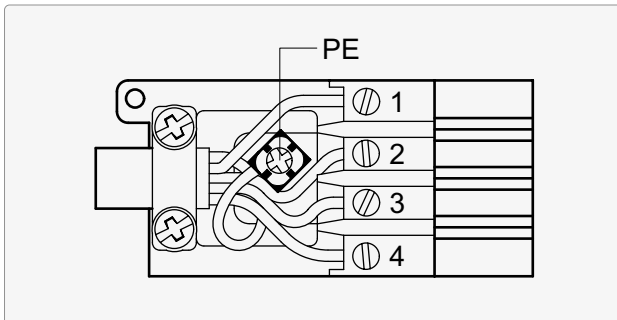


↓ [STAS4-3E Comfort](#)

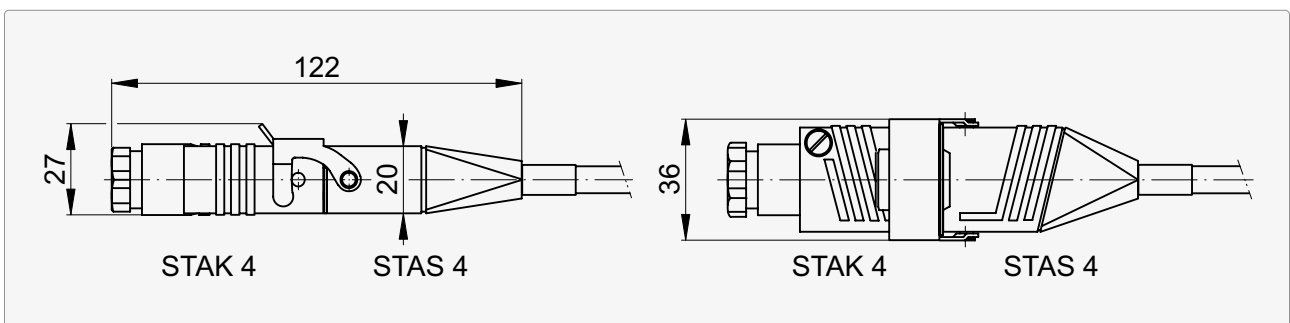


▶▶ STAS4-3E Comfort

Plug STAK 4



1	▼	Down 1	gray
2	▼	Down 2	black
3	△	Up	brown
4	N	Neutral connector	blue
PE	⊕	Protective connector	yellow/green



STAS3-2E Comfort



Technical data

Power supply	Number of end switches
230 V AC	2

⚠ Installation and maintenance work may be performed by trained professionals only. The electrical power must be cut off in order to work on the system.

The operating commands must be locked mechanically or electrically and have a changeover time of min. 500 ms.

No more than two comfort motors should be connected in parallel to the same motor control.

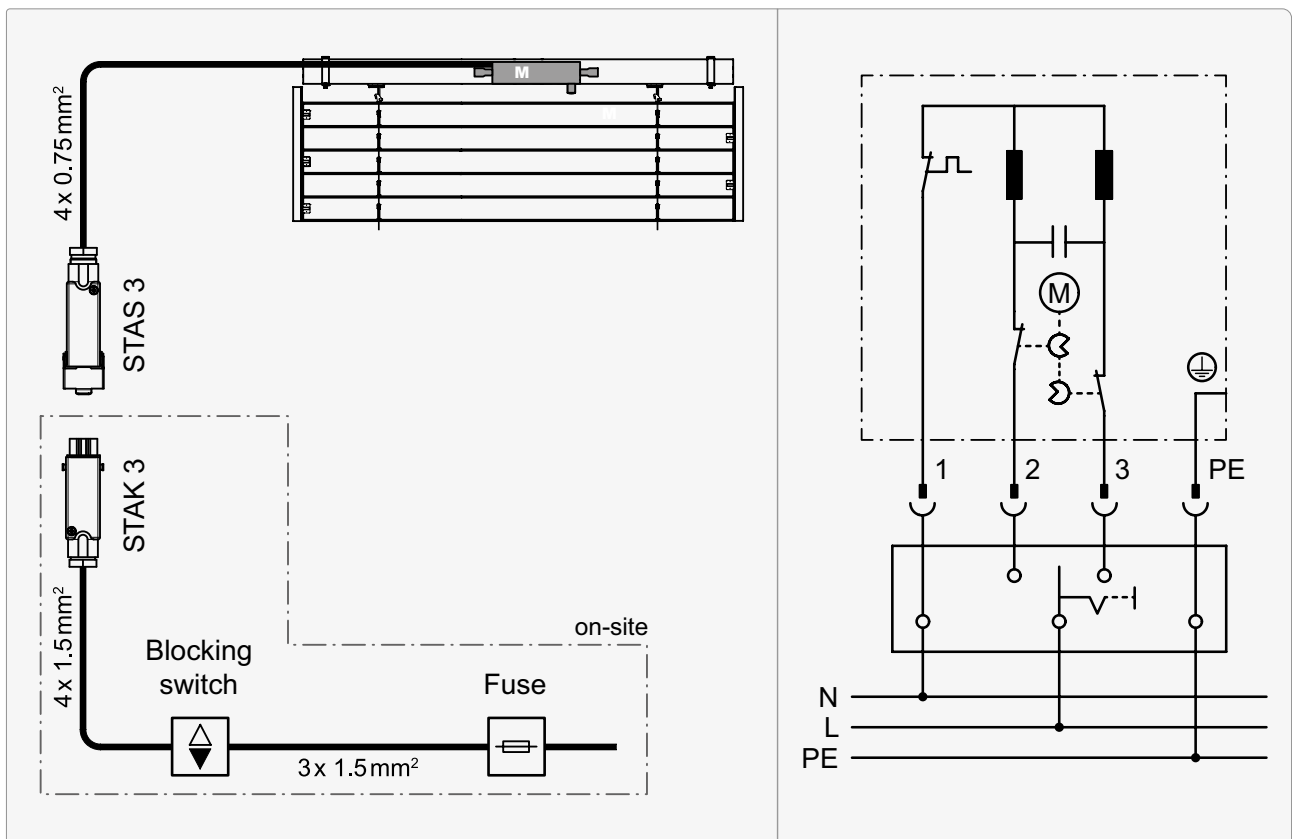
The snap holders must be mutually locking.

Caution! Incorrectly connecting the motor can cause damage!

The switching current of the pre-fitted safety fuse must be taken into consideration!

i The comfort motor has at **starting current** of 1.0A.

Connection diagramm

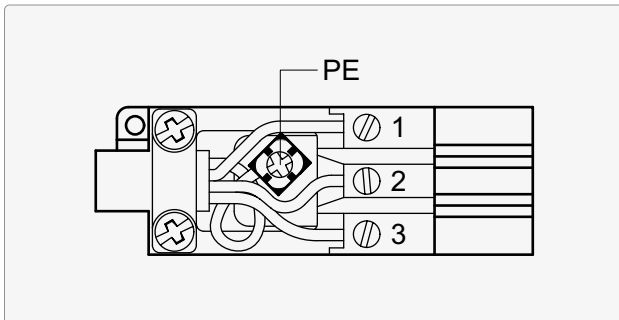


[↓ STAS3-2E Comfort](#)

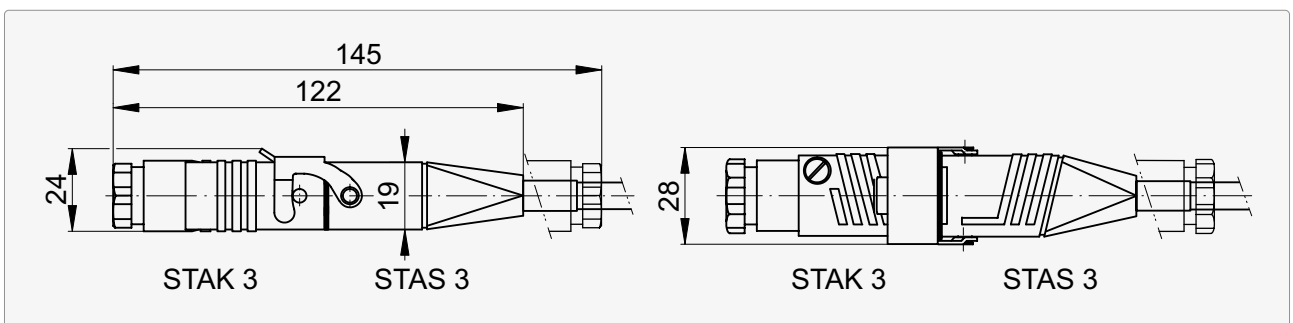


▶▶ STAS3-2E Comfort

Plug STAK 3



1	N	Neutral connector	blue
2	△	Up	brown
3	▼	Down	black
PE	⊕	Protective connector	yellow/green



STAS3-3E BiLine Comfort



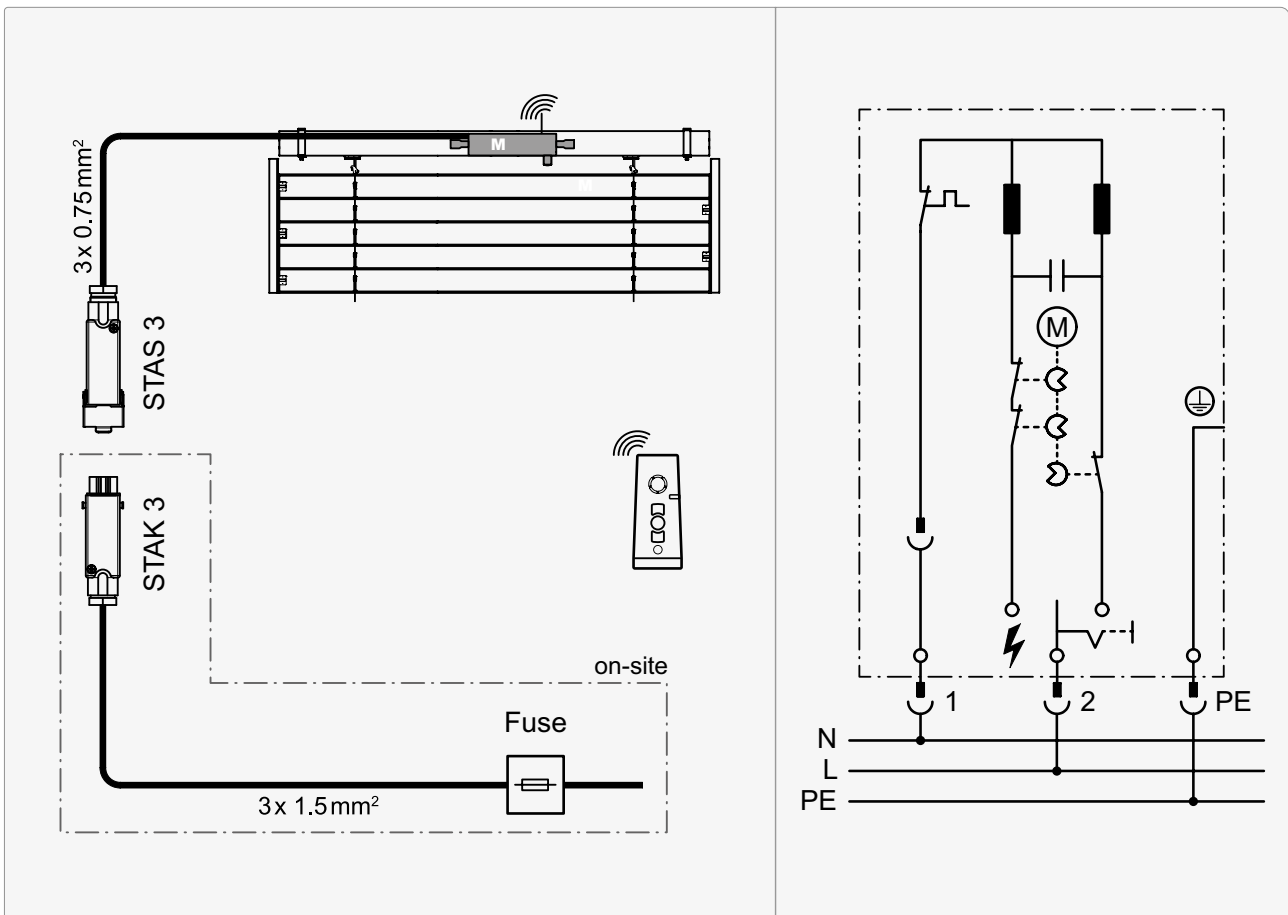
Technical data

Power supply	Number of end switches
230 V AC	3

! Installation and maintenance work may be performed by trained professionals only. The electrical power must be cut off in order to work on the system.

i The comfort motor has at **starting current** of 1.0A.

Connection diagramm

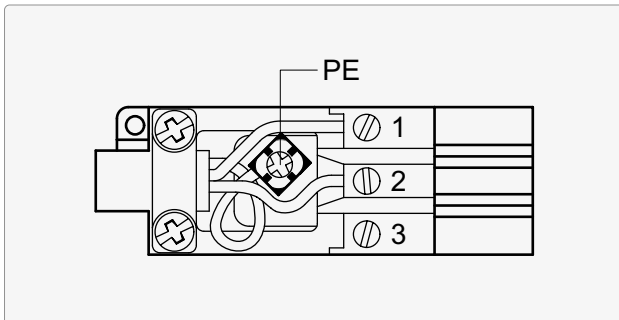


↓ [STAS3-3E BiLine Comfort](#)

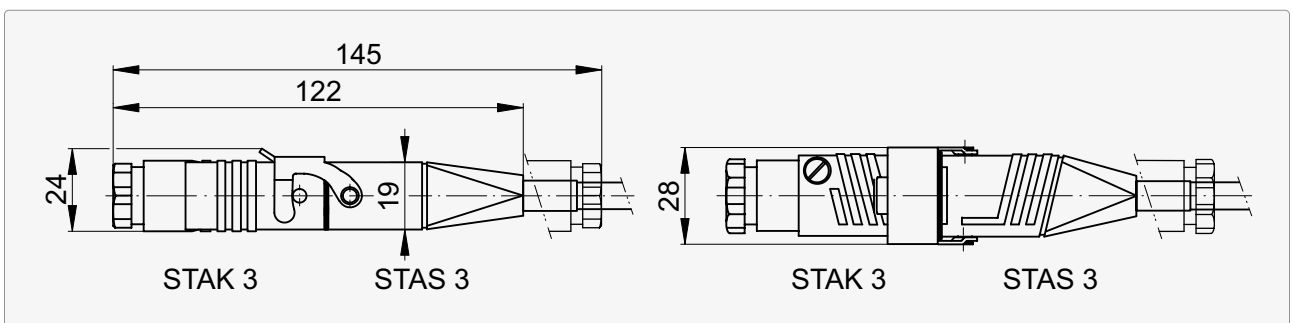


▶▶ STAS3-3E BiLine Comfort

Plug STAK 3



1	N	Neutral connector	blue
2	L	Phase	brown
3			
PE	⊕	Protective connector	yellow/green



STAS3-2E BiLine Comfort



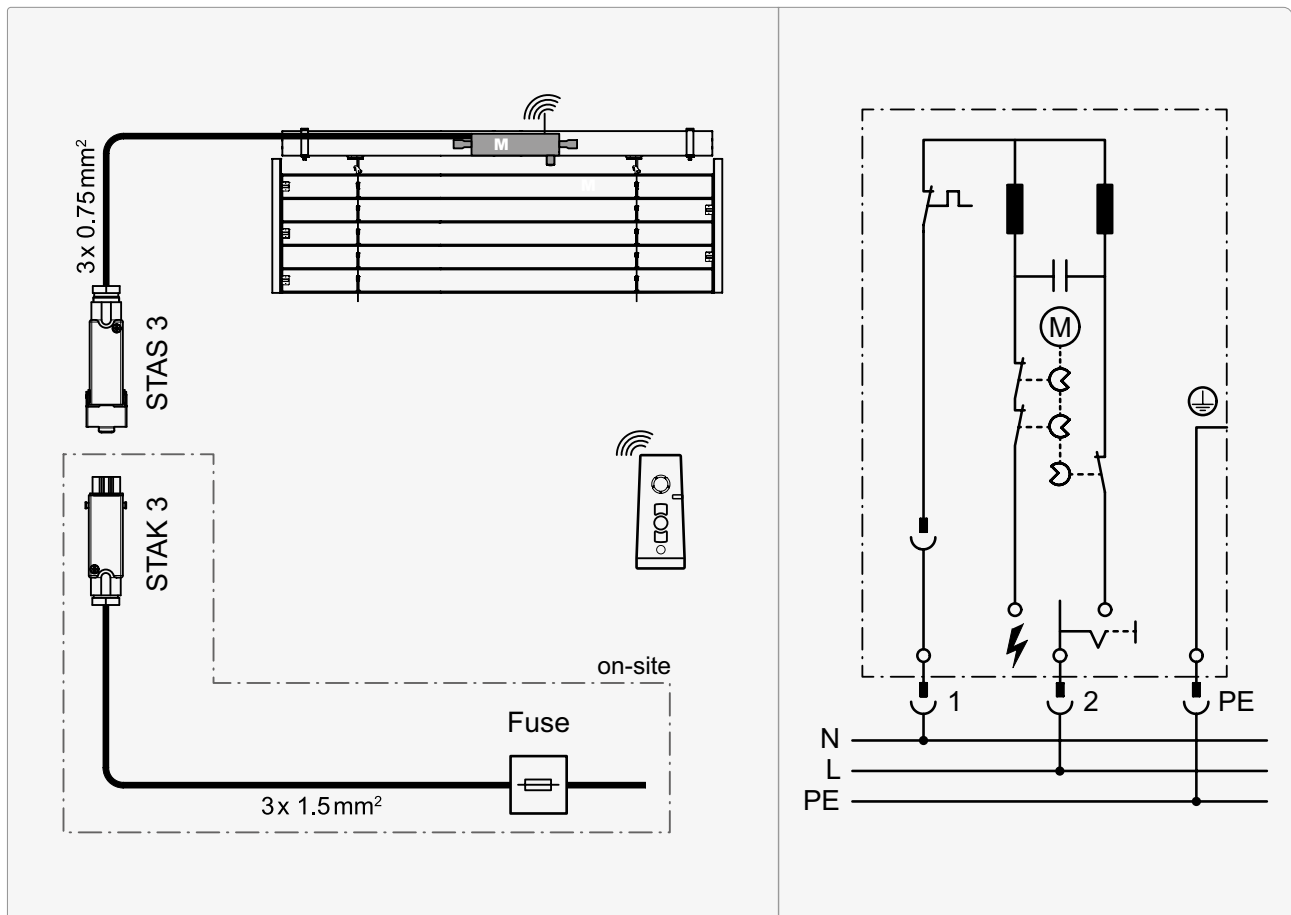
Technical data

Power supply	Number of end switches
230 V AC	2

! Installation and maintenance work may be performed by trained professionals only. The electrical power must be cut off in order to work on the system.

i The comfort motor has at **starting current** of 1.0A.

Connection diagramm

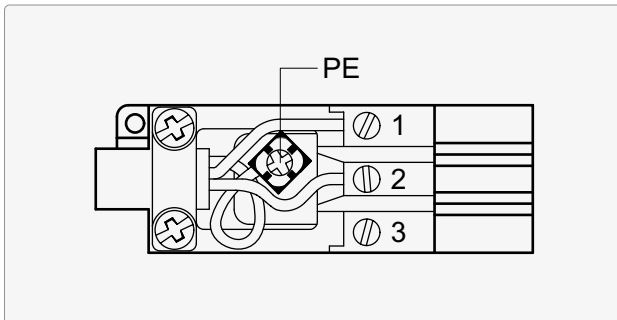


↓ [STAS3-2E BiLine Comfort](#)

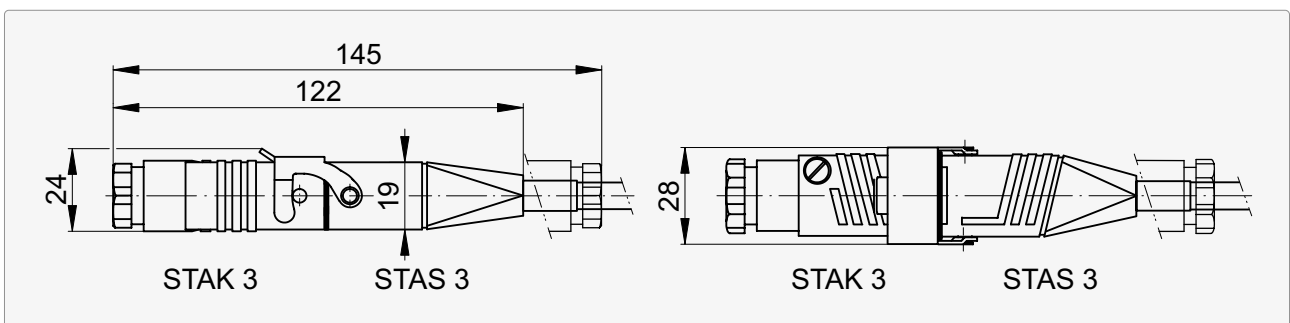


▶▶ STAS3-2E BiLine Comfort

Plug STAK 3



1	N	Neutral connector	blue
2	L	Phase	brown
3			
PE	⊕	Protective connector	yellow/green



STAS3-2E Geiger AIR

Technical data

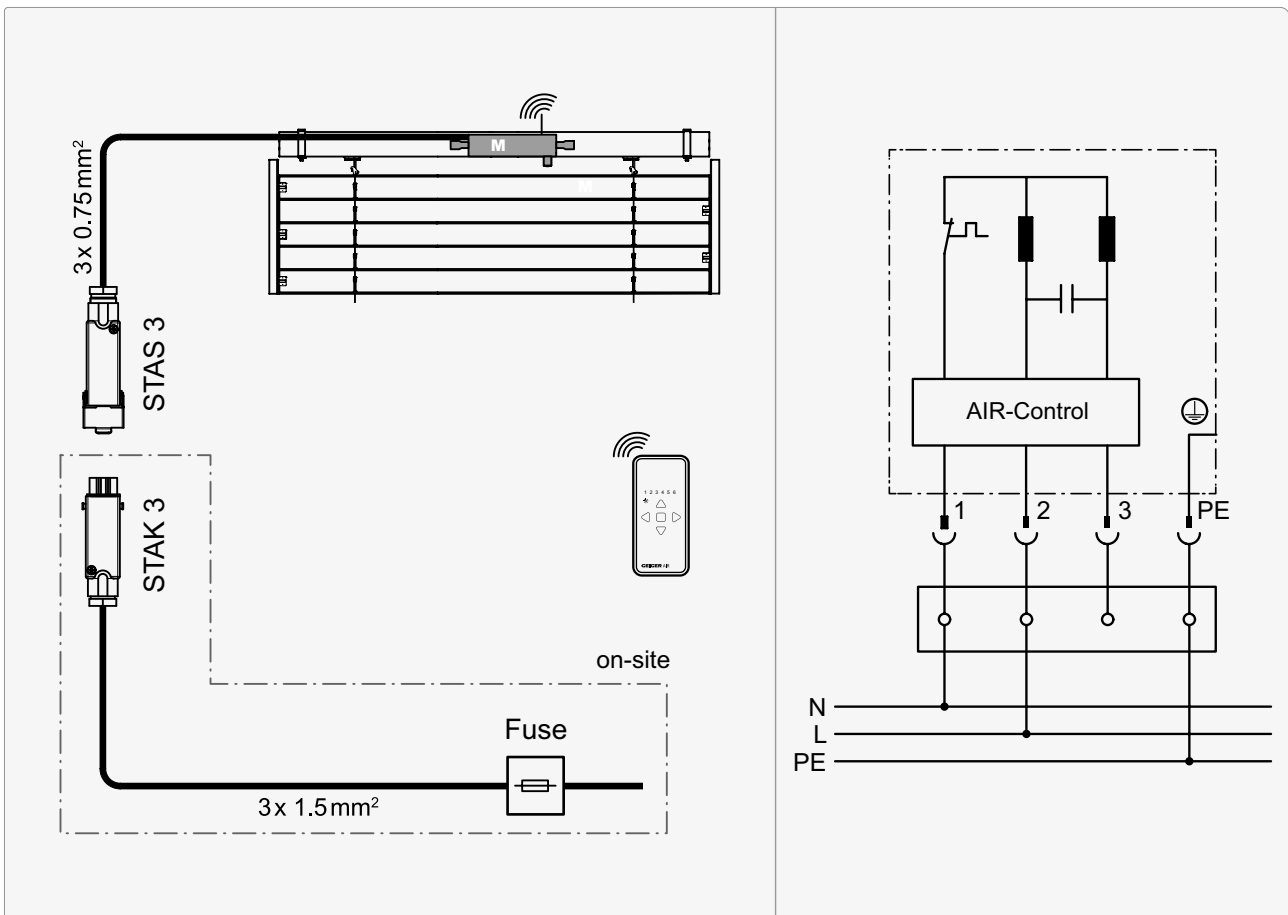
Power supply	Number of end switches
230 V AC	2

! Installation and maintenance work may be performed by trained professionals only.
The electrical power must be cut off in order to work on the system.

i The Geiger AIR motor has the following **starting currents**:

- GA06.01: 0.48A
- GA10.01: 0.72A
- GA20.01: 1.14A

Connection diagramm

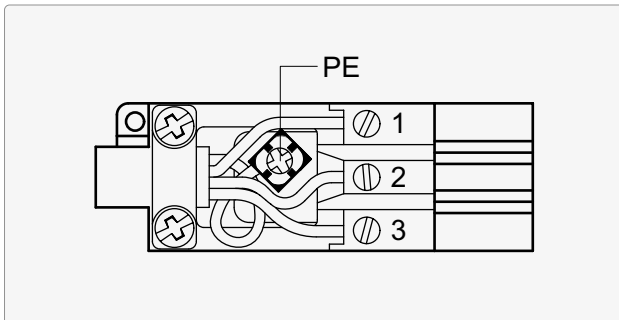


↓ [STAS3-2E Geiger AIR](#)

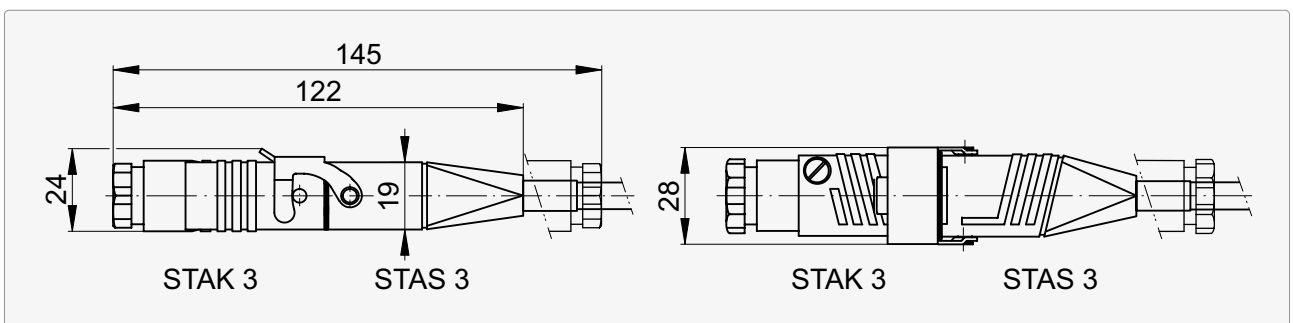


▶▶ STAS3-2E Geiger AIR

Plug STAK 3



1	N	Neutral connector	blue
2	L	Phase	brown
3			
PE	⊕	Protective connector	yellow/green



STAS3-2E RTS | STAS3-2E IO

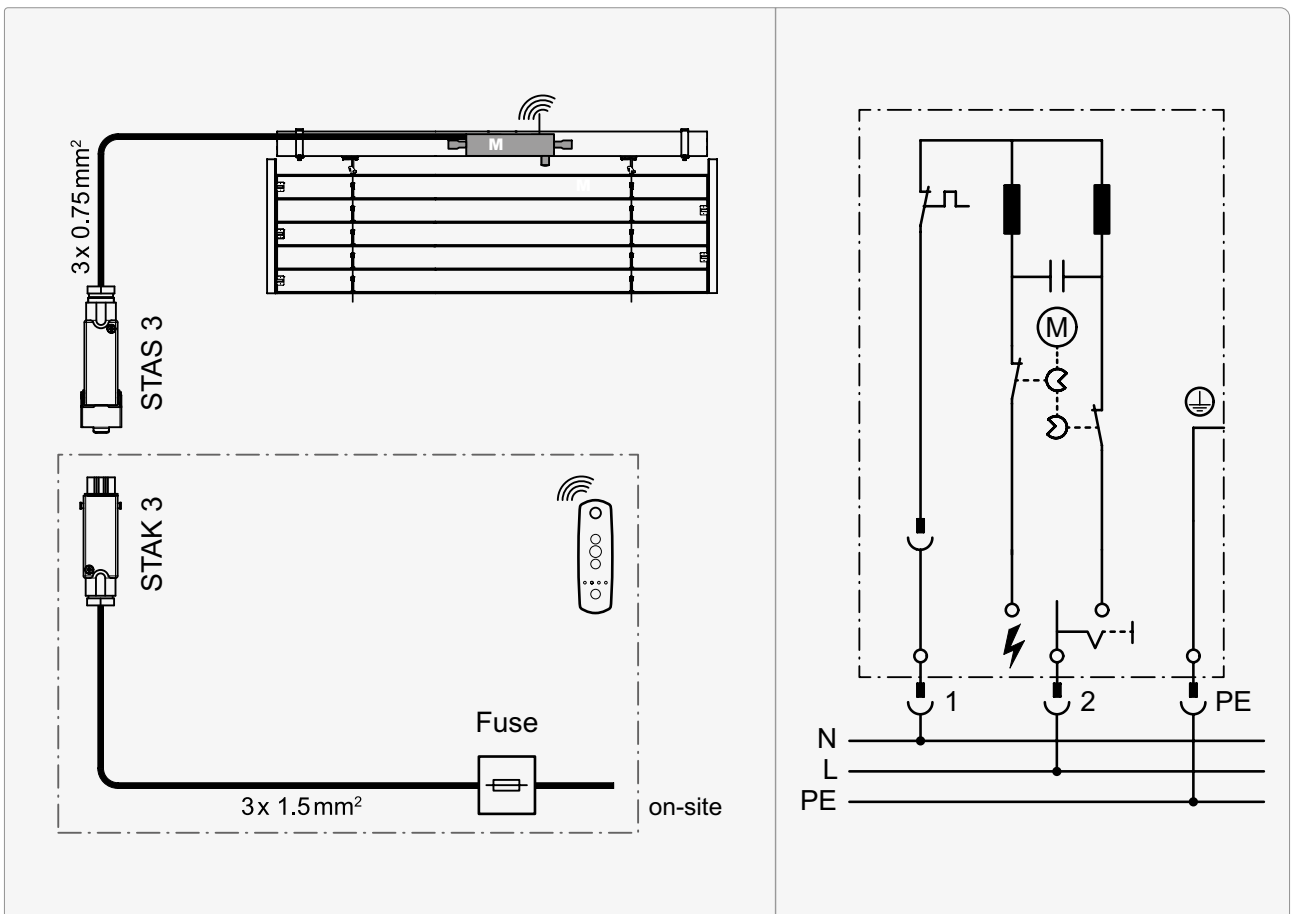


Technical data

Power supply	Number of end switches
230 V AC	2

! Installation and maintenance work may be performed by trained professionals only.
 The electrical power must be cut off in order to work on the system.
 The operating commands must be locked mechanically or electrically and have a changeover time of min. 500 ms.
 Motors must not be switched in parallel.
 Caution! Incorrectly connecting the motor can cause damage!

Connection diagramm

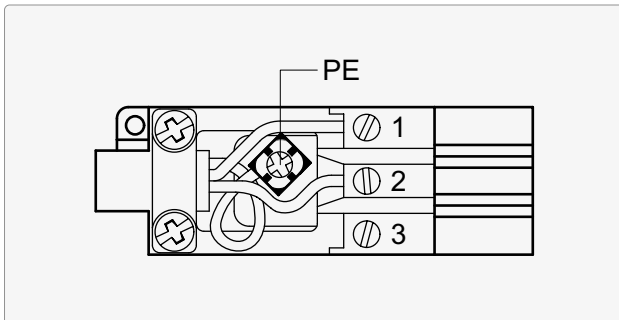


↓ [STAS3-2E RTS | STAS3-2E IO](#)

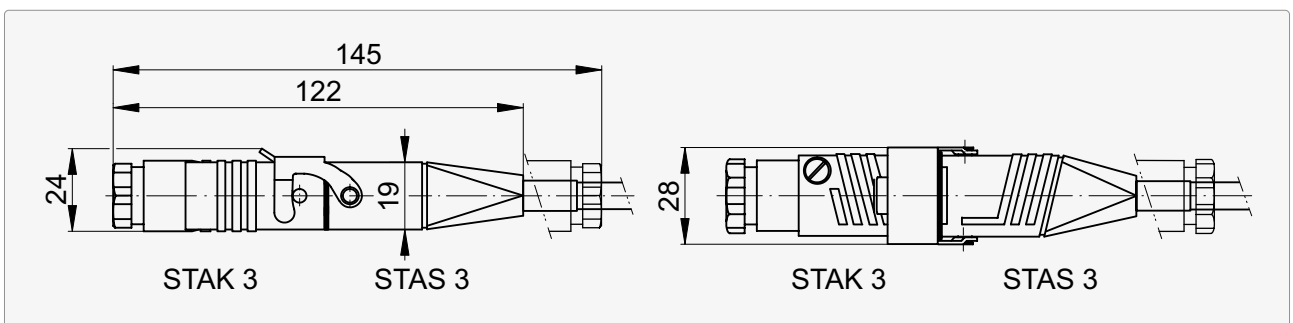


▶▶ STAS3-2E RTS | STAS3-2E IO

Plug STAK 3



1	N	Neutral connector	blue
2	L	Phase	brown
3			
PE	⊕	Protective connector	yellow/green



STAS3-2E Rolling shutters | Awnings

Technical data

Power supply	Number of end switches
230 V AC	2

! Installation and maintenance work may be performed by trained professionals only. The electrical power must be cut off in order to work on the system.

The operating commands must be locked mechanically or electrically and have a changeover time of min. 500 ms.

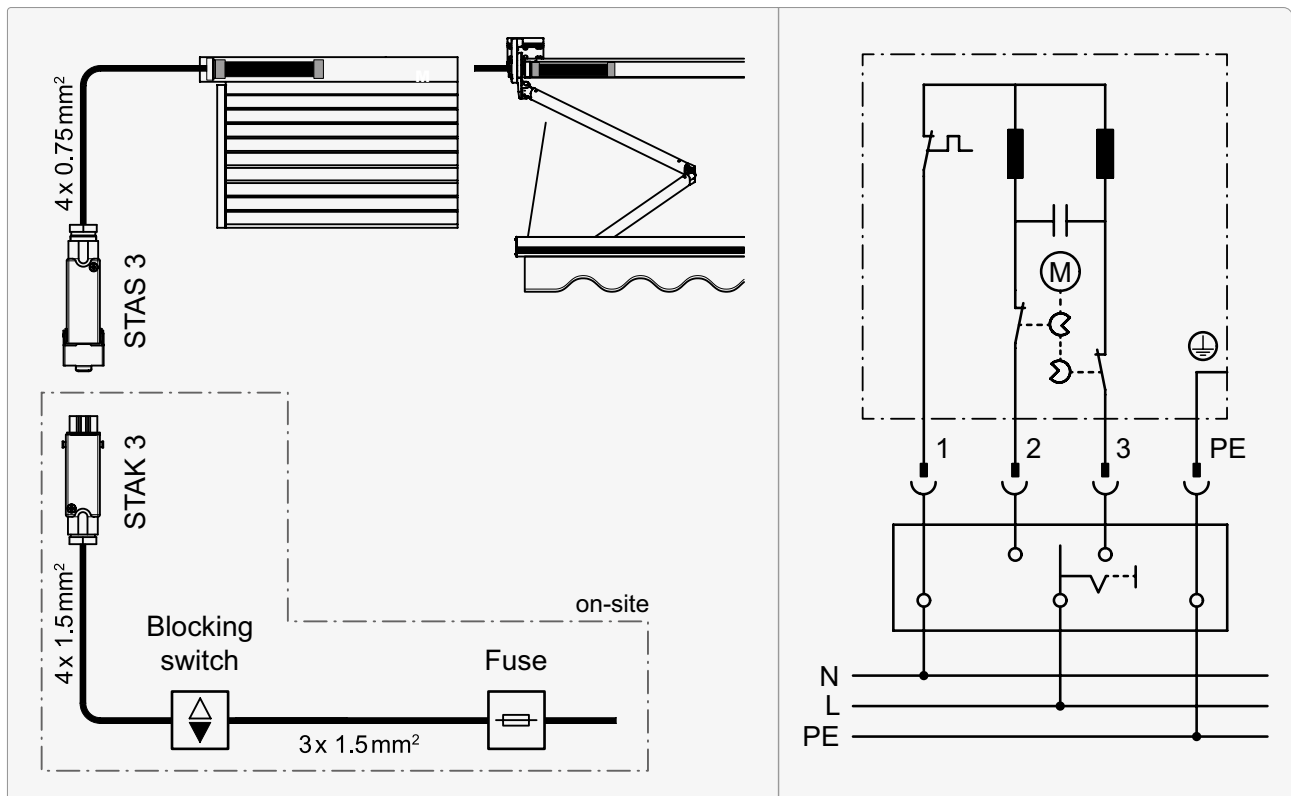
Motors must not be switched in parallel.

The snap holders must be mutually locking.

Caution! Incorrectly connecting the motor can cause damage!

i Motor fitted on left/right = other direction of rotation. If a motor is **rotating the wrong way**, the **Up/Down connections** in the STAK 3 or on the blocking switch **should be swapped**.

Connection diagramm

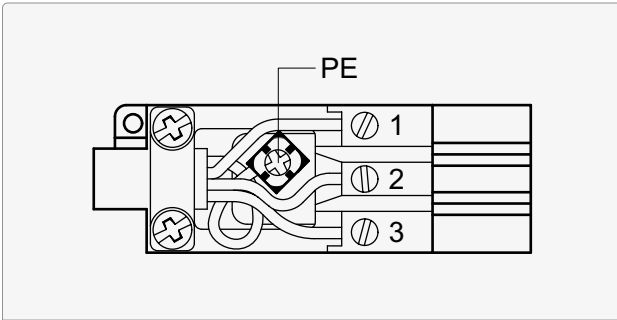


[↓ STAS3-2E Rolling shutters | Awnings](#)

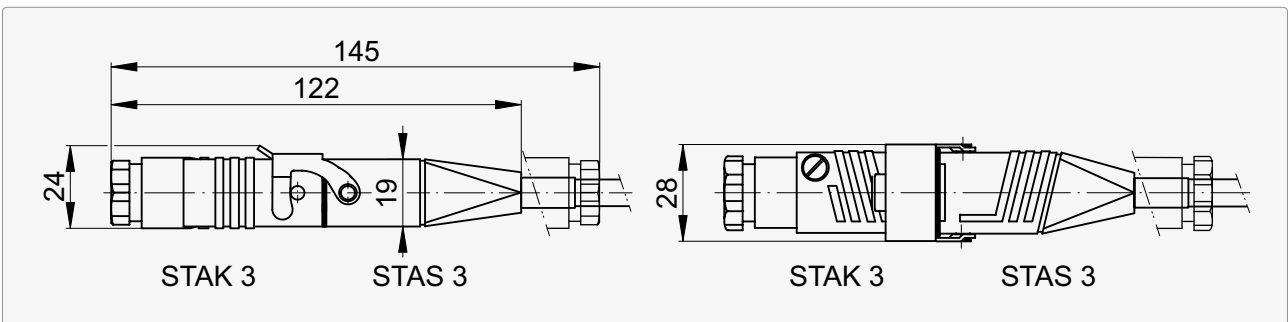


▶▶ STAS3-2E Rolling shutters | Awnings

Plug STAK 3



1	N	Neutral connector	blue
2	▲	Up/Down	brown/black
3	▼	Down/Up	black/brown
PE	⊕	Protective connector	yellow/green



STAS3-2E RTS Rolling shutters | Awnings



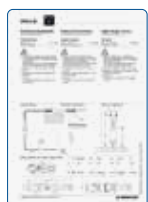
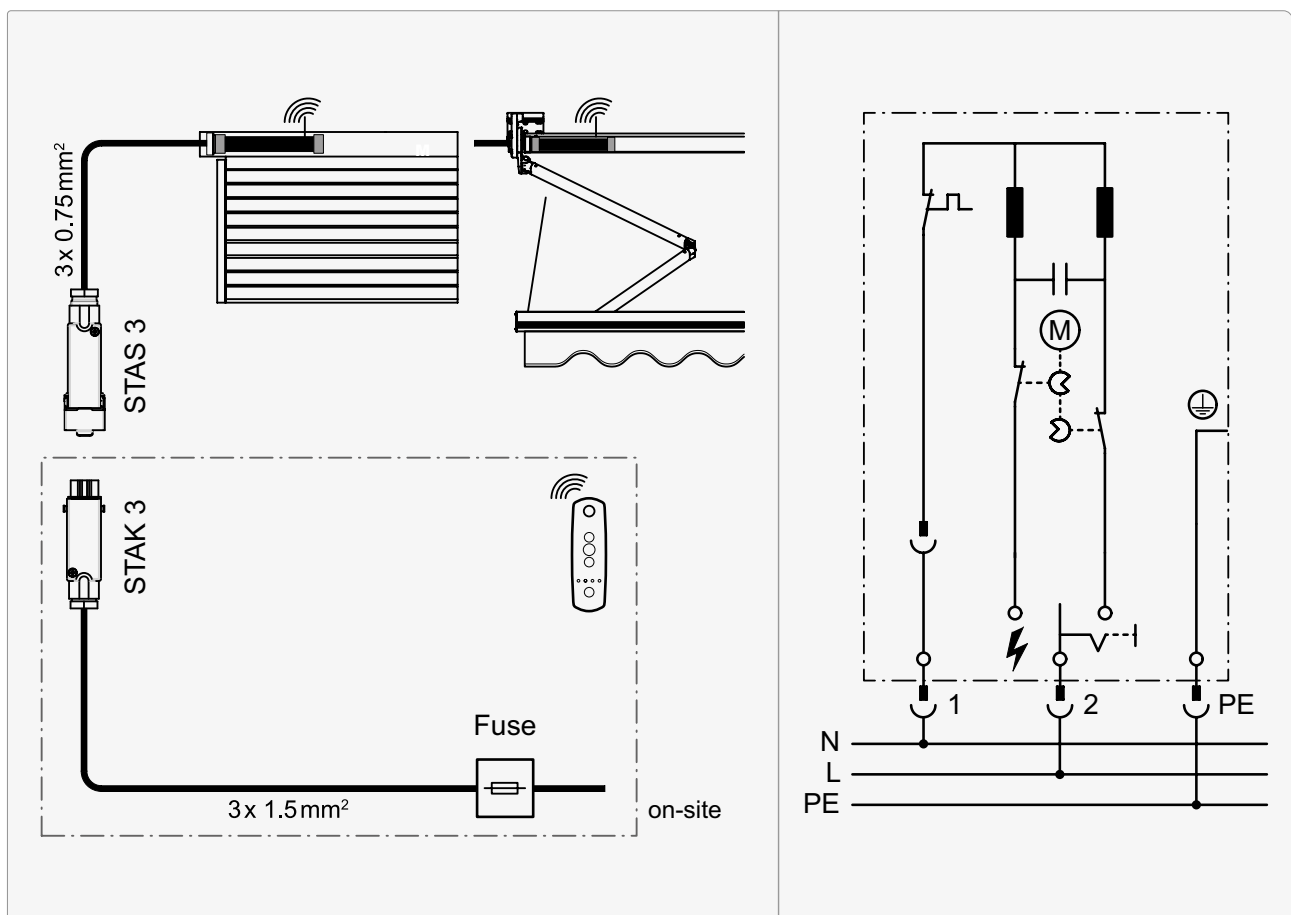
Technical data

Power supply	Number of end switches
230 V AC	2

! Installation and maintenance work may be performed by trained professionals only.
 The electrical power must be cut off in order to work on the system.
 Motors must not be switched in parallel.
 Caution! Incorrectly connecting the motor can cause damage!

i Motor fitted on left / right = other direction of rotation.

Connection diagramm

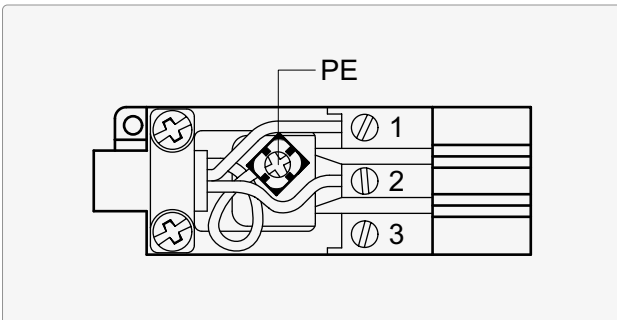


[↓ STAS3-2E RTS Rolling shutters | Awnings](#)

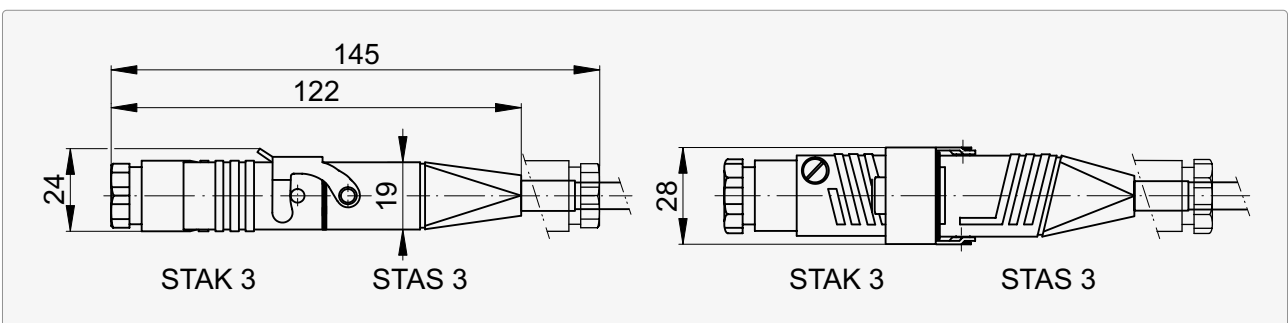


▶▶ STAS3-2E RTS Rolling shutters | Awnings

Plug STAK 3



1	N	Neutral connector	blue
2	L	Phase	brown
3			
PE	⊕	Protective connector	yellow/green



WAGO-2E Rolpac® III

Technical data

Motors: ILMO 40 WT 9/14 | ILMO 2 40 WT 9/14

Power supply	Number of end switches
230 V AC	2

! Installation and maintenance work may be performed by trained professionals only.
 The electrical power must be cut off in order to work on the system.

The operating commands must be locked mechanically or electrically and have a changeover time of min. 500 ms.

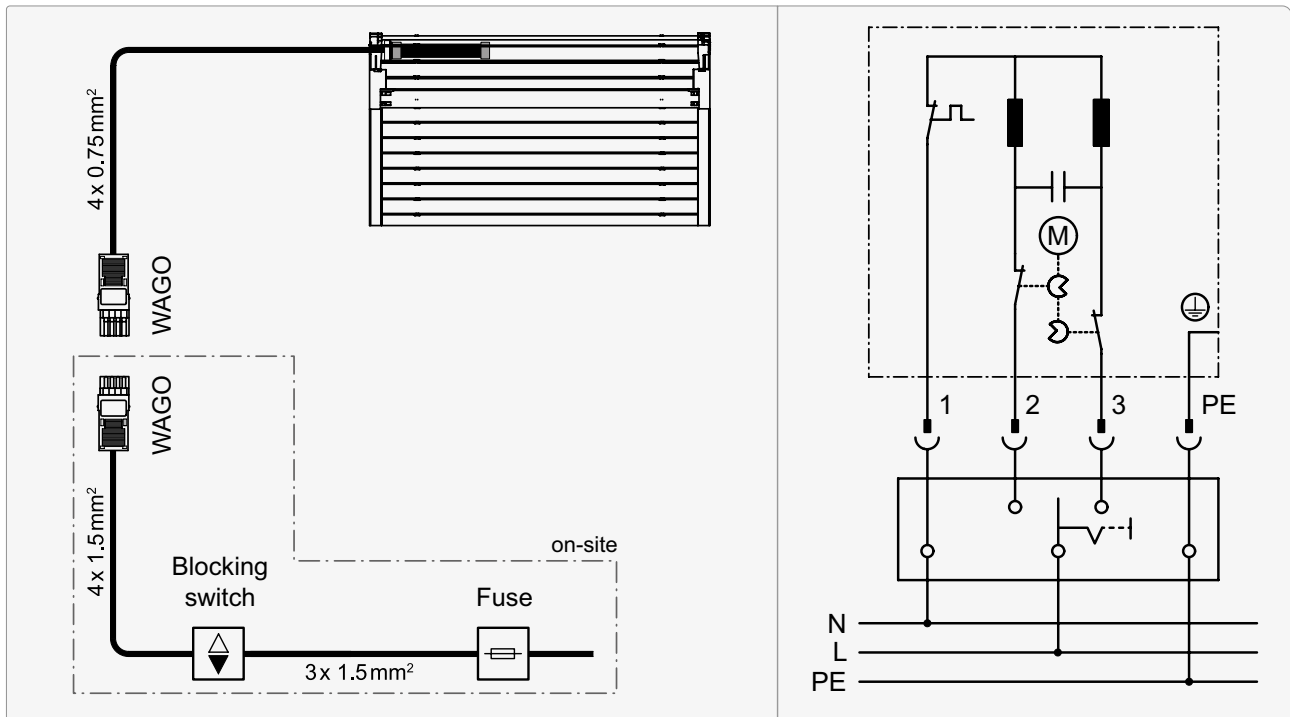
Motors must not be switched in parallel.

The snap holders must be mutually locking.

Caution! Incorrectly connecting the motor can cause damage!

i Motor fitted on left/right = other direction of rotation.
 If a motor is **rotating the wrong way**, the **Up / Down connections** in the WAGO coupling or on the blocking switch should be swapped.

Connection diagramm

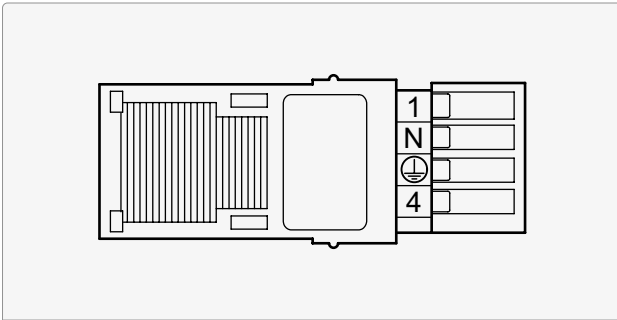


[↓ WAGO-2E Rolpac III](#)

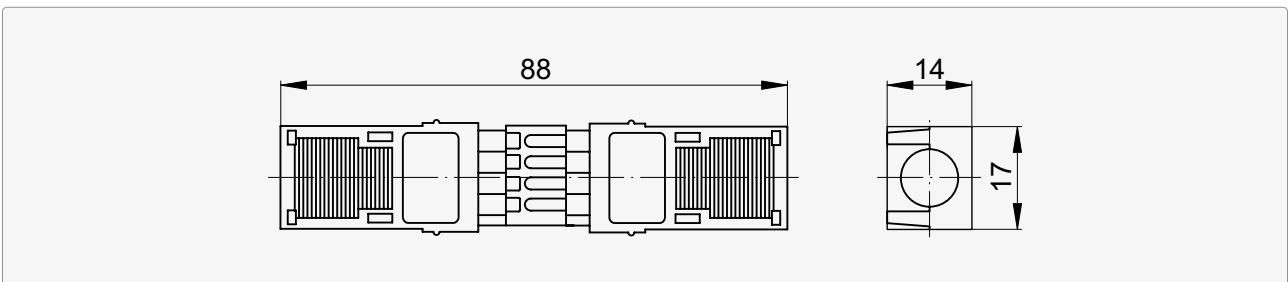


▶▶ **WAGO-2E Rolpac® III**

Plug WAGO



1	▲▼	Up/Down	brown/black
N	N	Neutral connector	blue
⊕	⊕	Protective connector	yellow/green
4	▼▲	Down/Up	black/brown



WAGO-2E Rolpac® III RTS-IO

Technical data

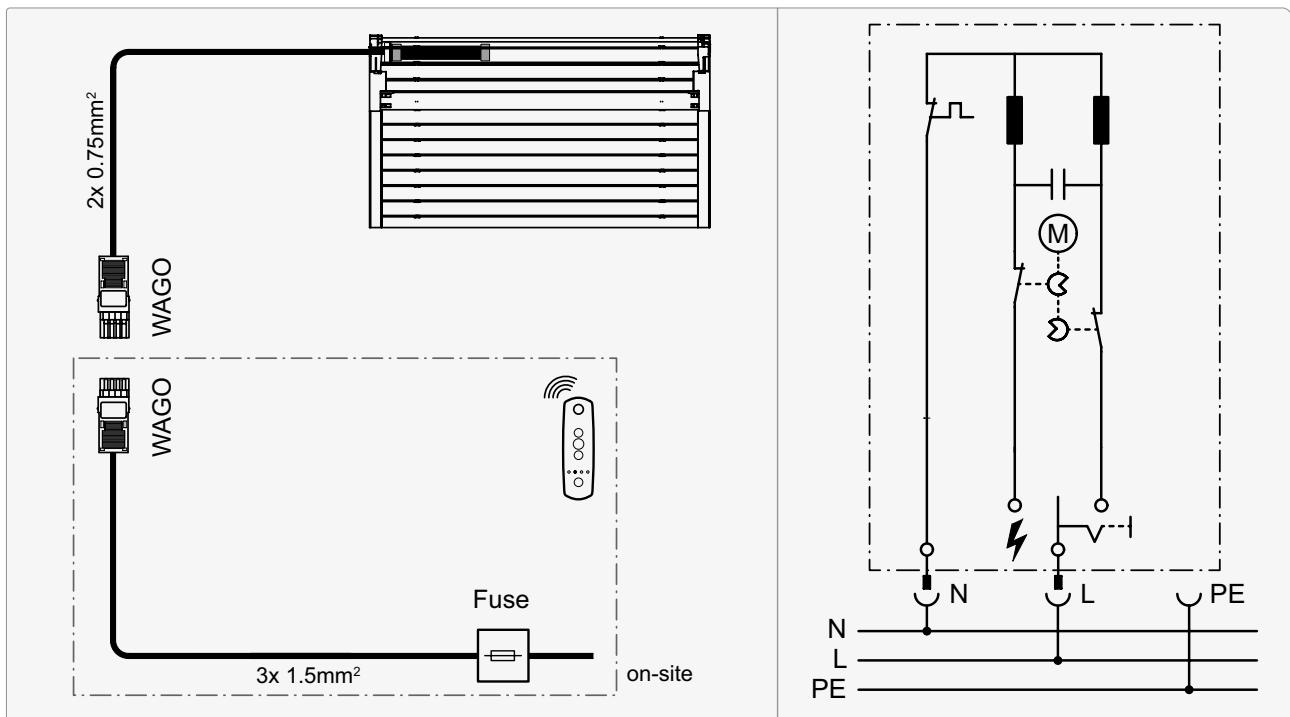
Motor: Oximo 40 IO

Power supply	Number of end switches
230 V AC	2

! Installation and maintenance work may be performed by trained professionals only.
 The electrical power must be cut off in order to work on the system.
Caution! Incorrectly connecting the motor can cause damage!

i Motor fitted on left/right = other direction of rotation.
 If a motor is **rotating the wrong way**, the **Up/Down connections** in the WAGO coupling or on the blocking switch should be swapped.

Connection diagramm

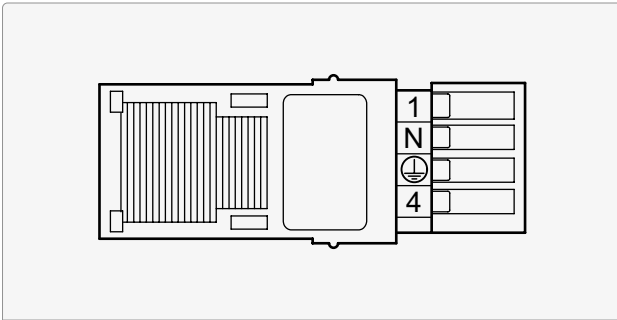


↓ [WAGO-2E Rolpac III RTS-IO](#)

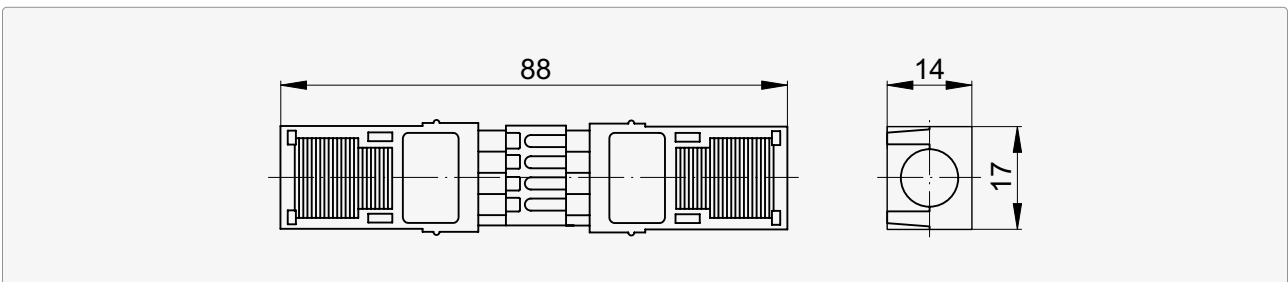


▶▶ **WAGO-2E Rolpac® III RTS-IO**

Plug WAGO



1	L	Connector	brown/black
N	N	Neutral connector	blue



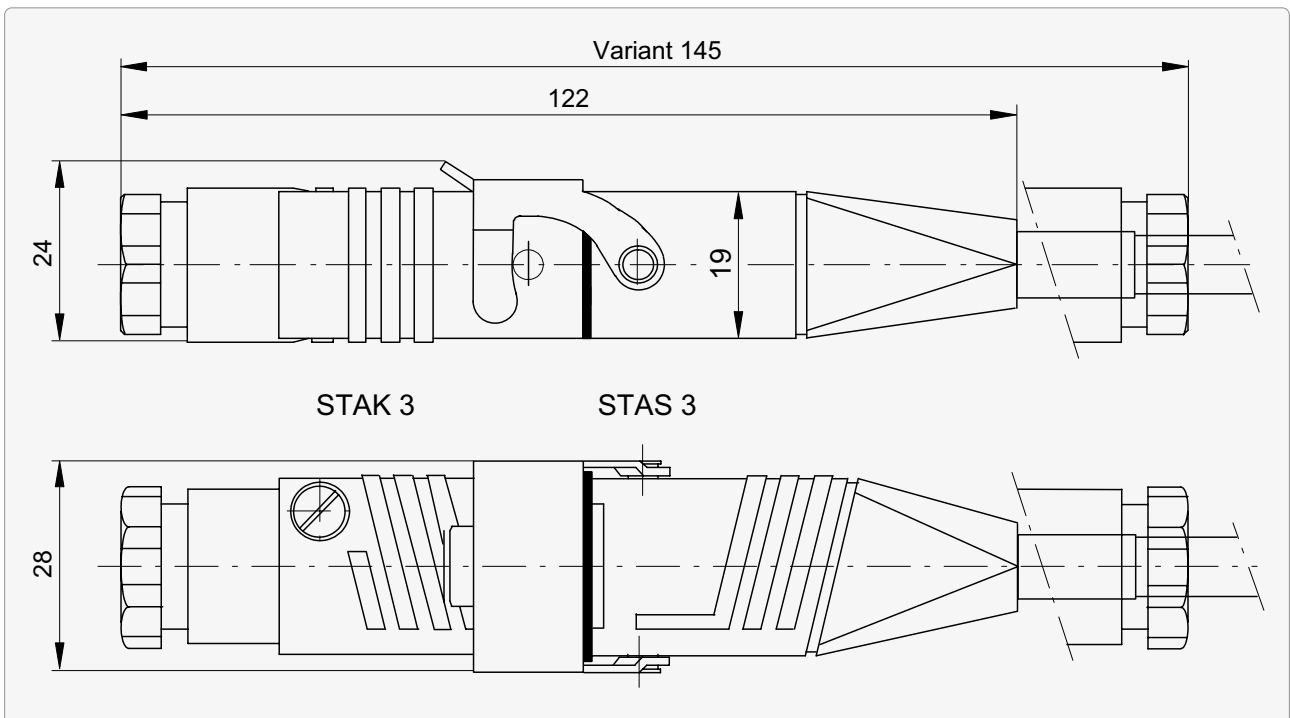
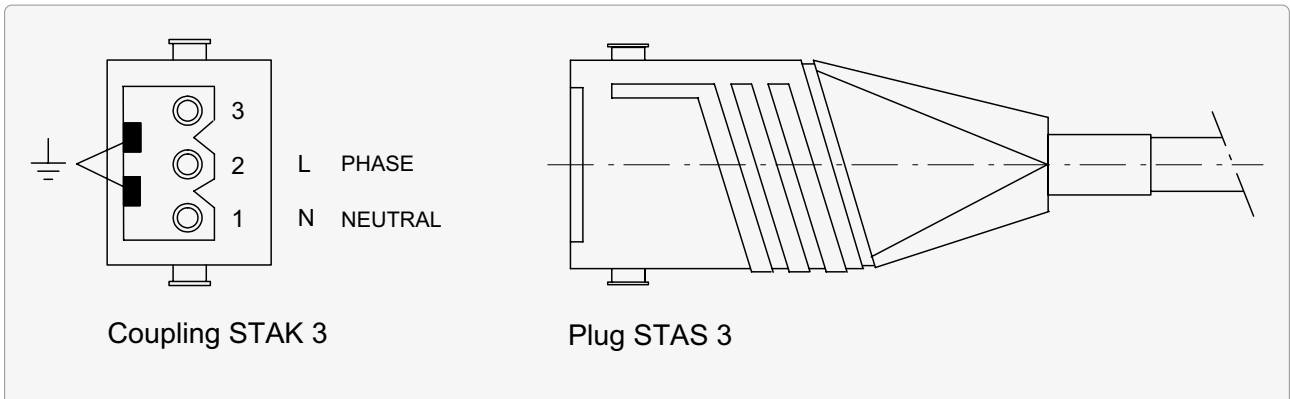


Power supply for radio receiver

Hirschmann coupling STAK3	32
Wago coupling drive for Rolpac® III	33

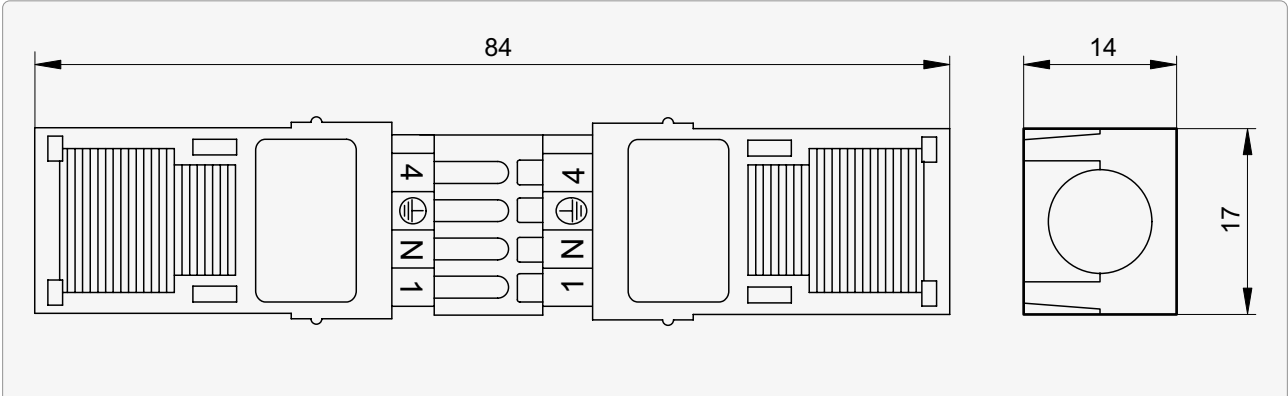
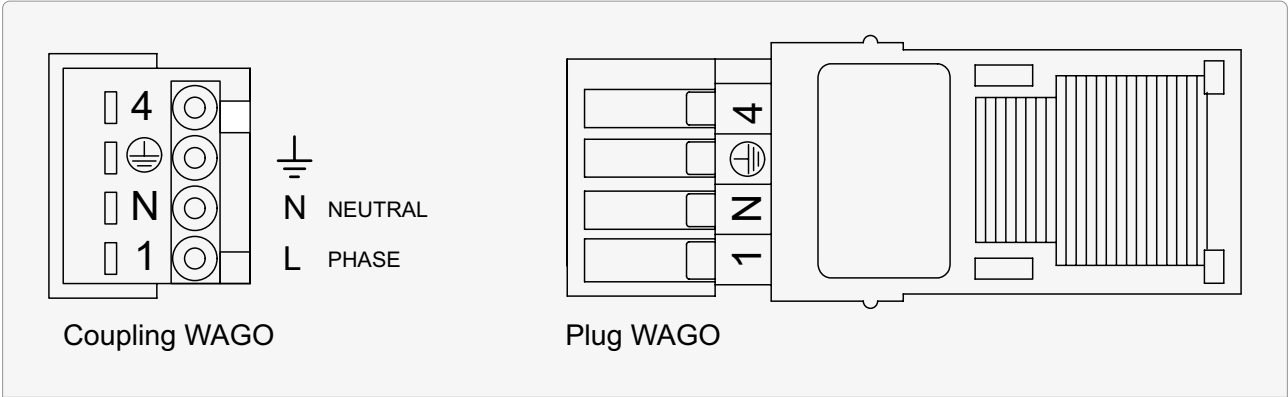
Hirschmann coupling STAK3

Power supply: 230 VAC



Wago coupling drive for Rolpac® III

Power supply: 230 VAC



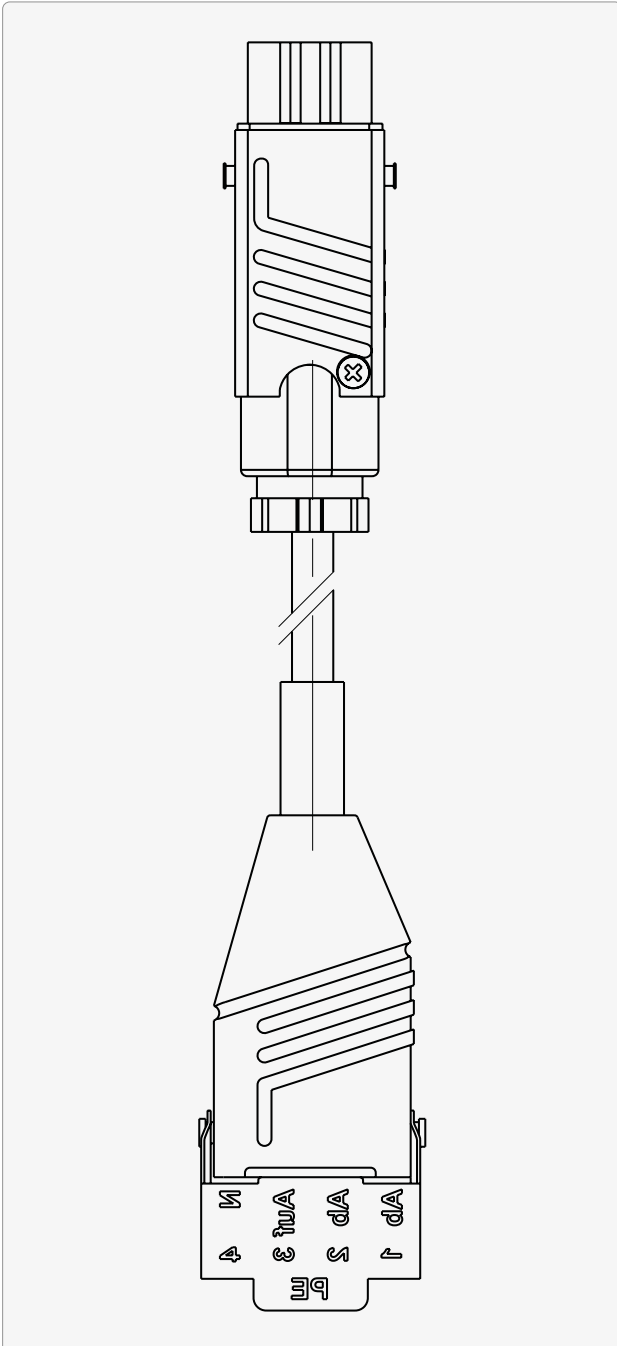


Cable connections

Cable connection STAK 3 STAS 4	36
Cable connection STAK 4 STAS 3	36

Cable connection STAK 3 | STAS 4

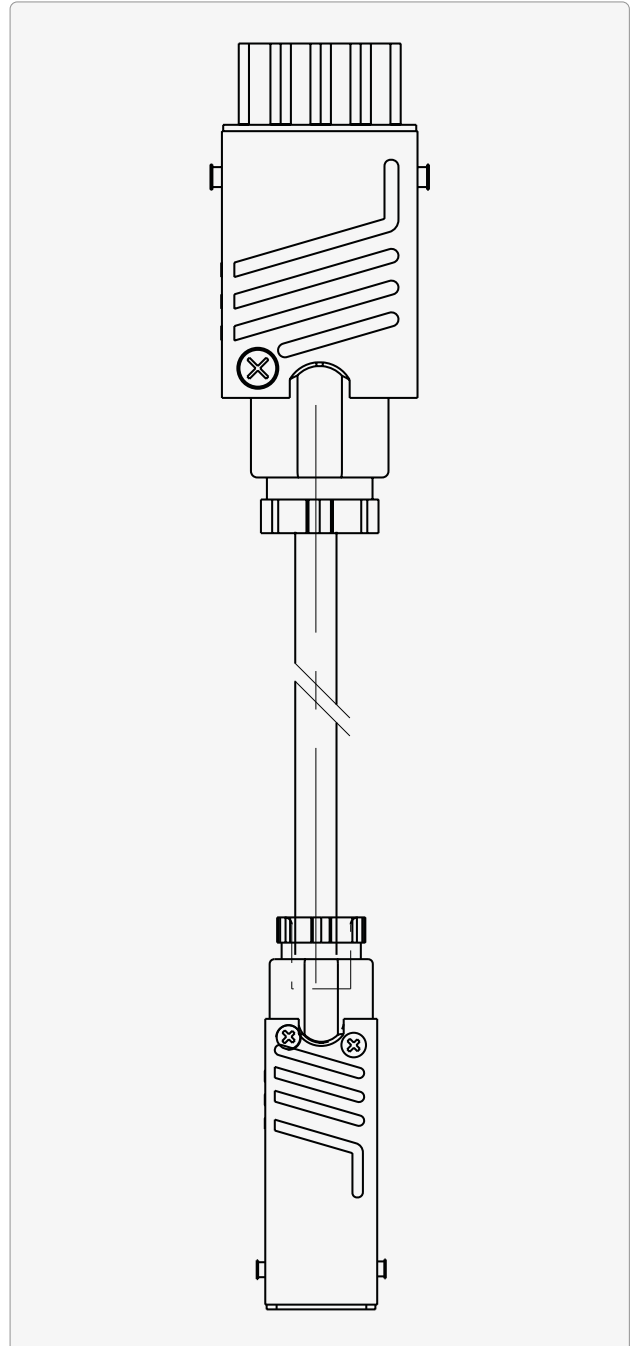
- 1 N
- 2 RAISE
- 3 LOWER
- ⚡ yellow/green



- 1 -
- 2 LOWER
- 3 RAISE
- 4 N
- ⚡ yellow/green

Cable connection STAK 4 | STAS 3

- 1 -
- 2 LOWER
- 3 RAISE
- 4 N
- ⚡ yellow/green



- 1 N
- 2 RAISE
- 3 LOWER
- ⚡ yellow/green

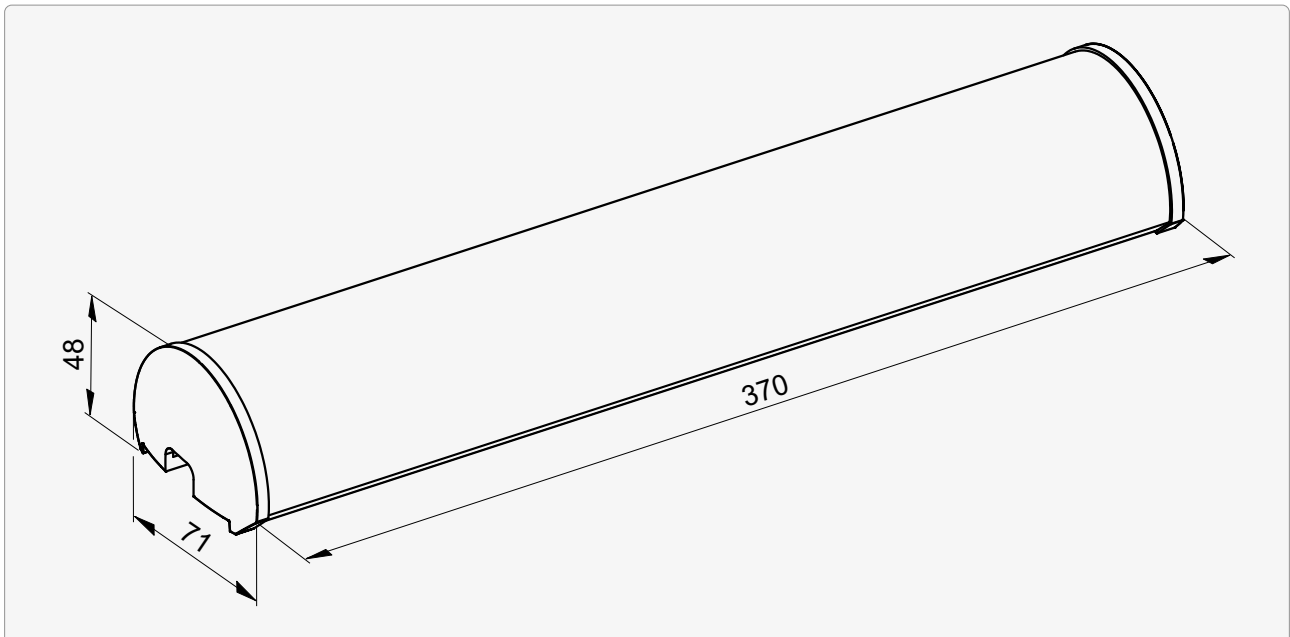


Min. space requirem. for plugs/radio receivers

Design bar	40
Niches	40

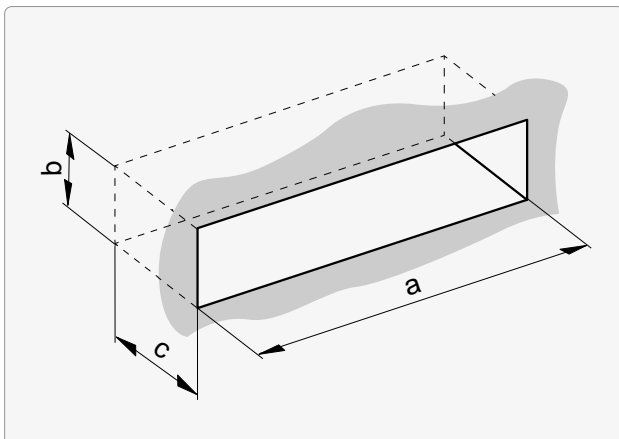
Design bar

Provides space for connecting a maximum of 2 plug connectors and 1 radio receiver.



i The dimensions **do not include space for extra-long** connecting **cables**.

Niches



i The antenna of the radio receiver **must protrude to the niche** if the niche is covered metallically.

Space for	a min.	b min.	c min.
1 connector pair	220	50	50
2 connector pairs + 1 radio receiver	220	90	90



Index

C**Cable connections 35****Connection diagrams**

External venetian blinds

STAS3-2E	8
STAS3-2E BiLine Comfort	16
STAS3-2E Comfort	12
STAS3-2E Geiger AIR	18
STAS3-2E RTS STAS3-2E IO	20
STAS3-3E BiLine Comfort	14
STAS4-3E	6
STAS4-3E Comfort	10

Tube products

STAS3-2E Rolling shutters Awnings	22
STAS3-2E RTS Rolling shutters Awnings	24
WAGO-2E Rolpac® III	26

D**Design bar for plugs and radio receivers 40****N****Niches for plugs and radio receivers 40****P****Power supply for radio receiver**

Hirschmann coupling STAK3	32
Wago coupling drive for Rolpac® III	33

S**Space requirements for plugs and radio receivers 39**

Inspired by the **Sun.**

griesser.com



Subject to change without prior notice 20241119 Item no. 185058