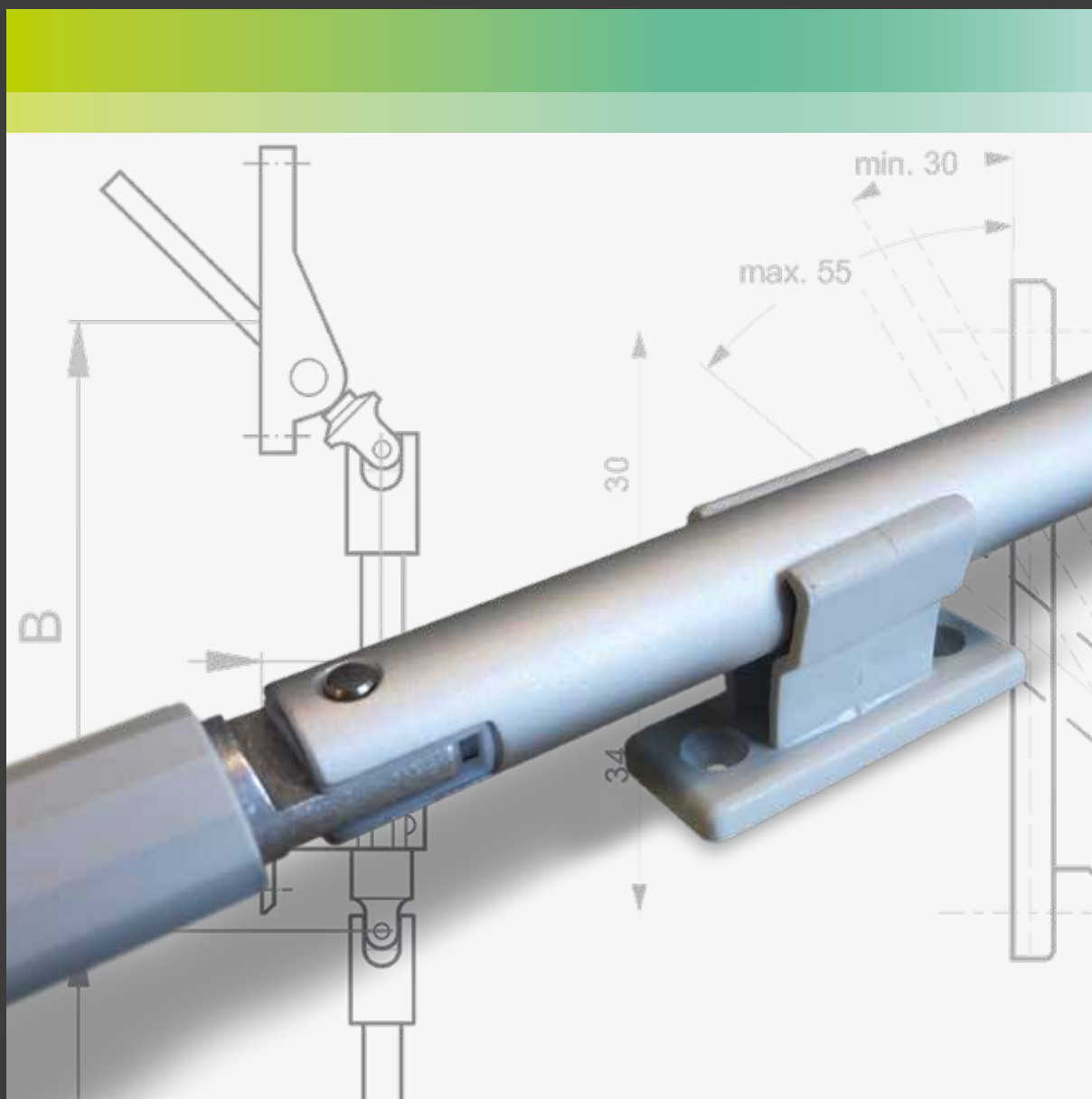
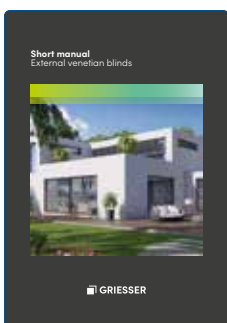


# Short manual Crank

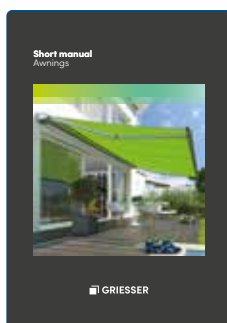




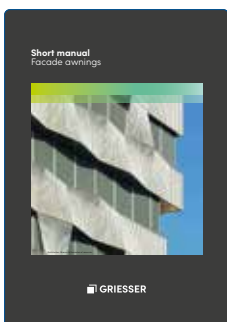
## All short manuals for download



[External venetian blinds](#)



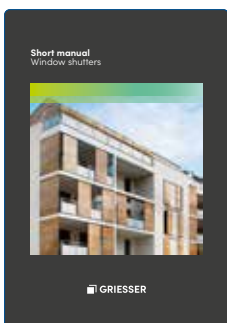
[Awnings](#)



[Facade awnings](#)



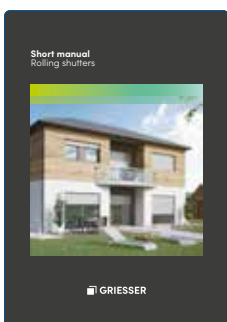
[Cranks](#)



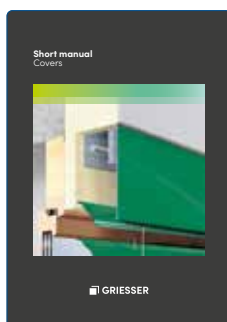
[Window shutters](#)



[Connection technique](#)



[Rolling shutters](#)




[Covers](#)



# Cranks

## Table of contents

<b>Articulated crank type</b>	<b>5</b>
<b>Hinge guides</b>	<b>19</b>
<b>Crank handle</b>	<b>35</b>

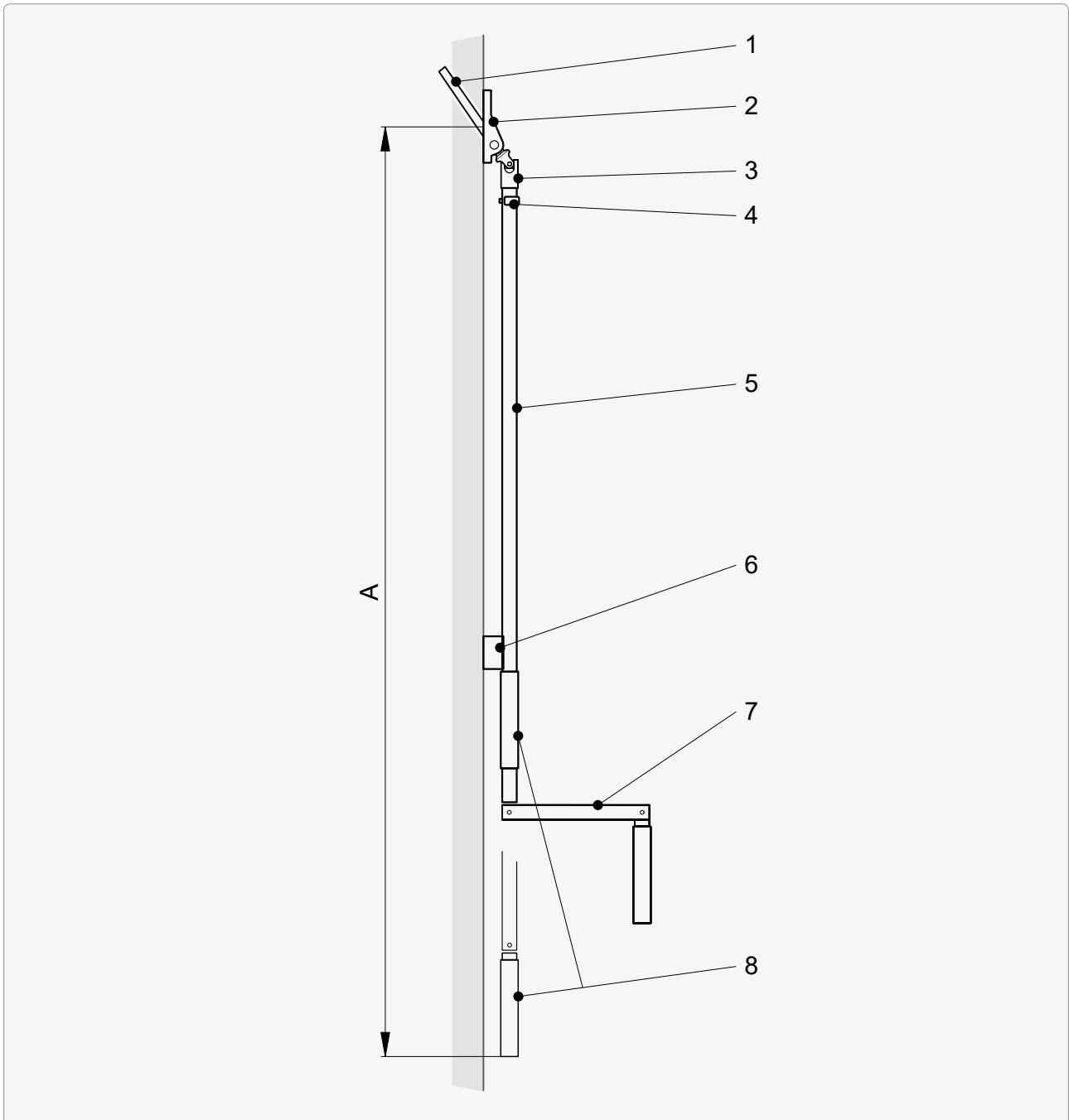
 The information and values given refer to our products in their standard version according to the brochure and intended use/application.



# Articulated crank type

Overview	<b>6</b>
Standard lengths depending on type	<b>8</b>
Type   Standard	<b>10</b>
Type   Extendable	<b>12</b>
Type   Bayonet lock	<b>13</b>
Type   Rolpac® III Standard	<b>14</b>
Type   Rolpac® III Extendable	<b>16</b>

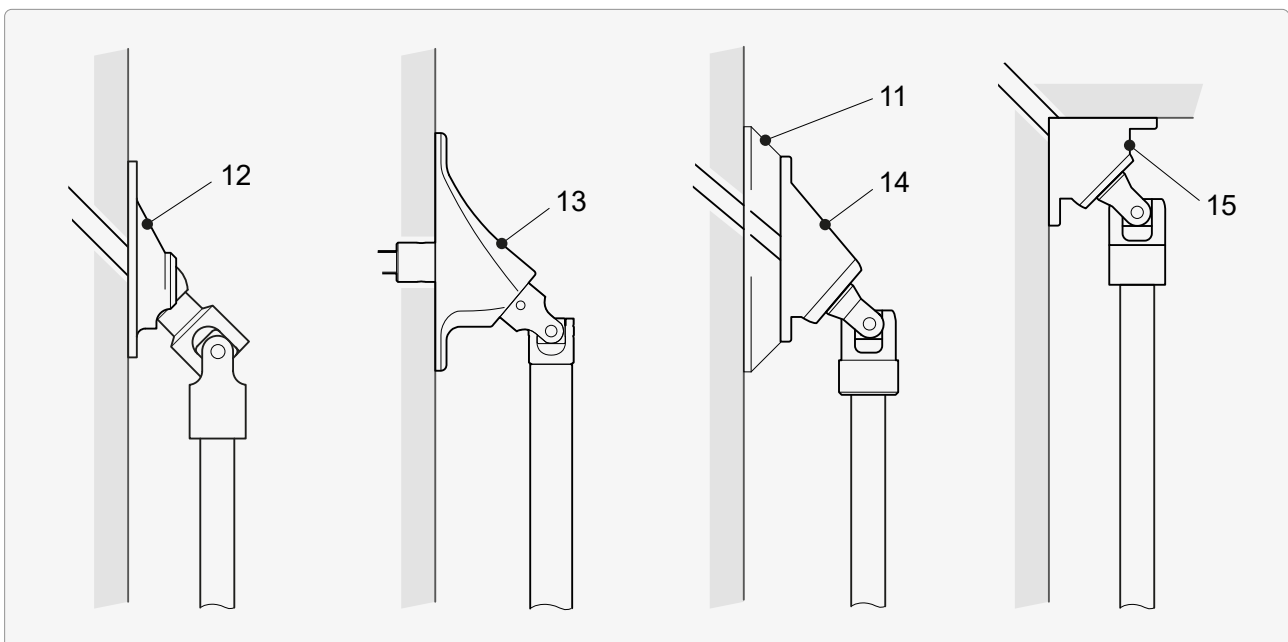
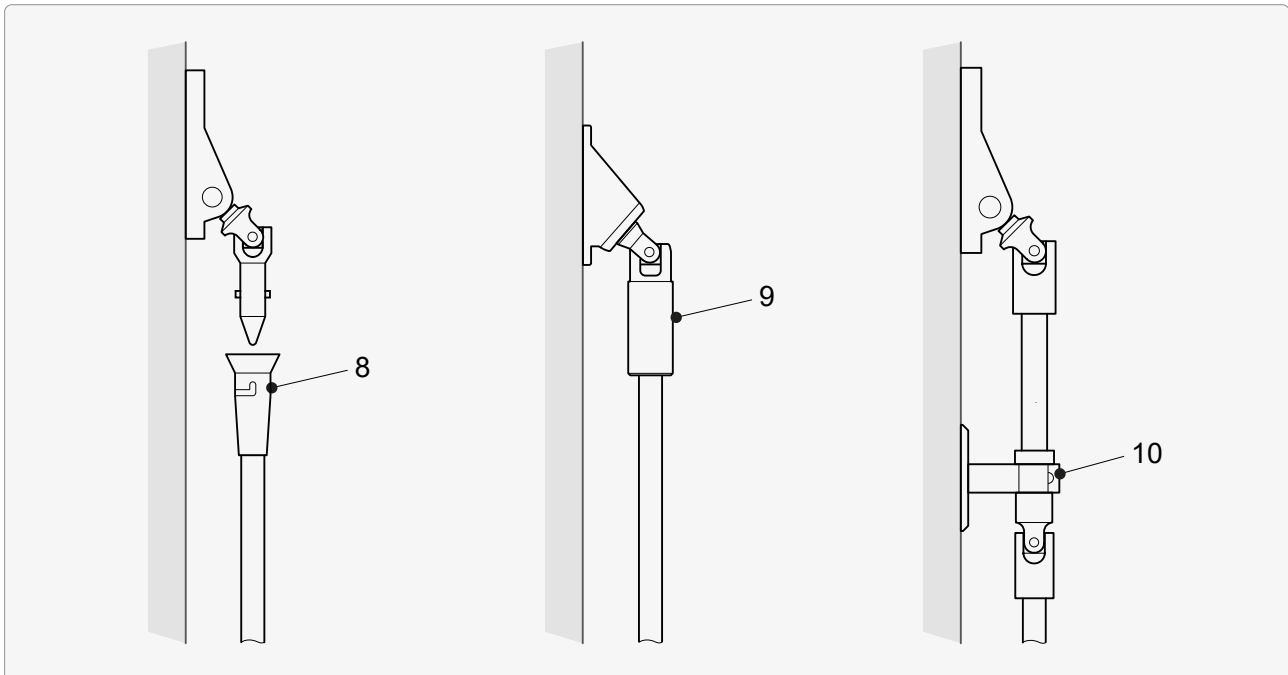
Overview



Pos.	Description	Material	Color, Color index	
			gray, 1	white, 3
1	Square shaft 8 × 8	Steel	galvanized	galvanized
2	Hinge guide 25 × 90	Plastic	gray	white
3	Universal hinge	Aluminum	transp. anodized	transp. anodized
4	Safety clip	Plastic	gray	white
5	Connection pipe Ø 15	Steel	gray covering	white covering
6	Magnetic crank holder	Plastic	gray	white
7	Articulated crank	Steel	nickel-plated	nickel-plated
8	Handles Ø 20	Plastic	gray	white

➔ Value for A.....8

## ►► Overview



Pos.	Description	Material	Color
8	Bayonet lock	Steel	nickel-plated
9	Overload protection device	Steel	nickel-plated
10	Wall holder single rod guide	Steel	nickel-plated
11	Base plate KS*	Plastic	gray
12	Hinge guide 36×70	Zinc die cast	nickel-plated
13	Hinge guide 22×85	Zinc die cast	nickel-plated
14	Hinge guide KSB 35×75	Plastic	gray, white
15	Hinge guide KSC 35×44 / 44	Plastic	gray, white

\* Only available as replacement.

### Standard lengths depending on type

A*	A*	A*
550	1100 1150	1700 1750
600 650	1200 1250	1800 1850
700 750	1300 1350	1900 1950
800 850	1400 1450	2000
900 950	1500 1550	
1000 1050	1600 1650	

**i** \*A > 2000 on request. Not available ex-stock.  
A varies by +10/-50 depending on the type.

### Delivery of accessories

Hinge guide for types **04** to **13**

- Base plate
- Hinge guide
- Retaining plate
- Ball halves



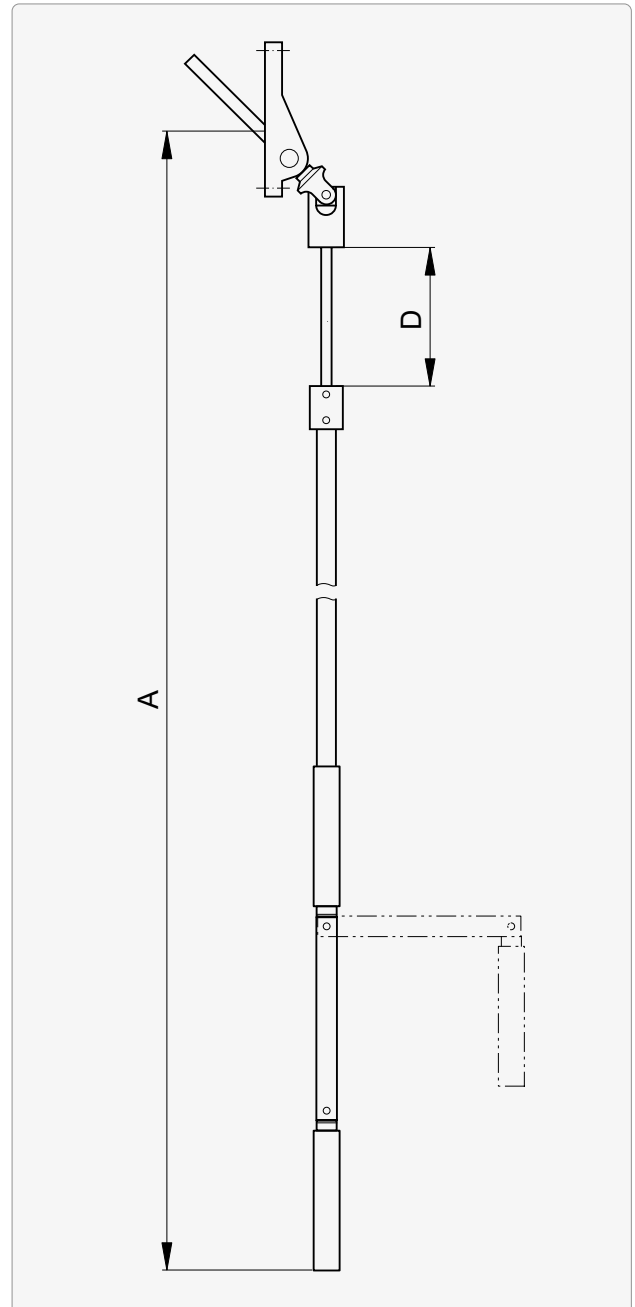
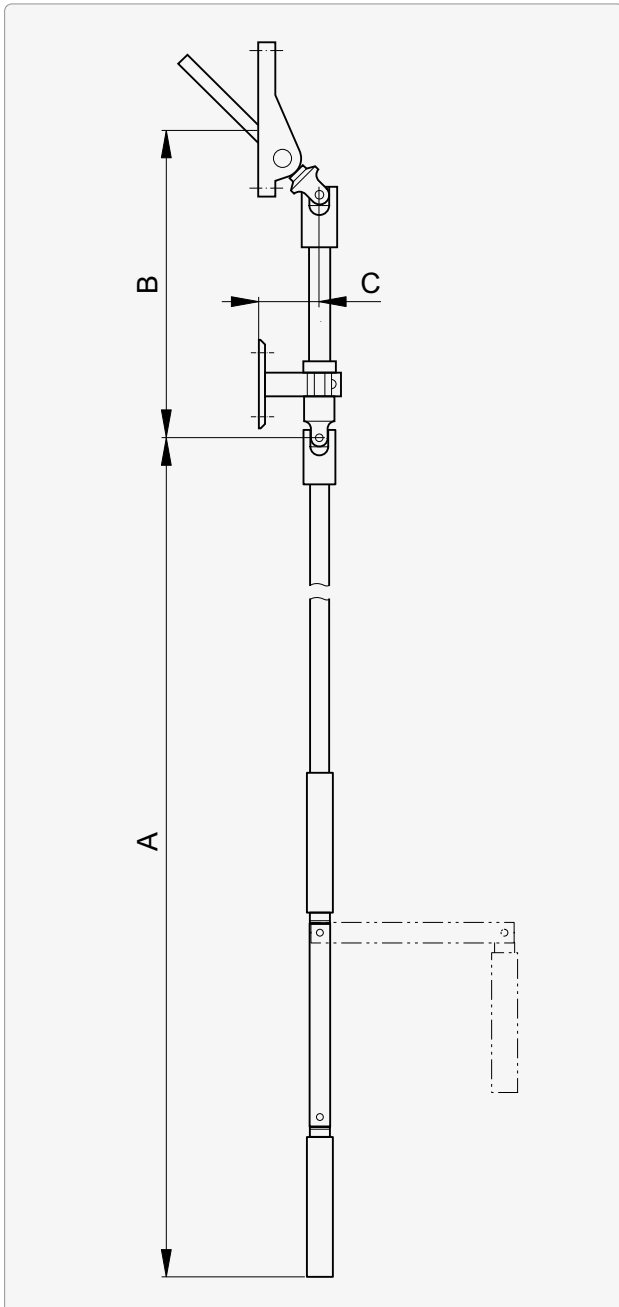
►► Standard lengths depending on type

With single rod guide for types:

Extendable in length

**23 67**

**i** Always aluminum, transparently anodized

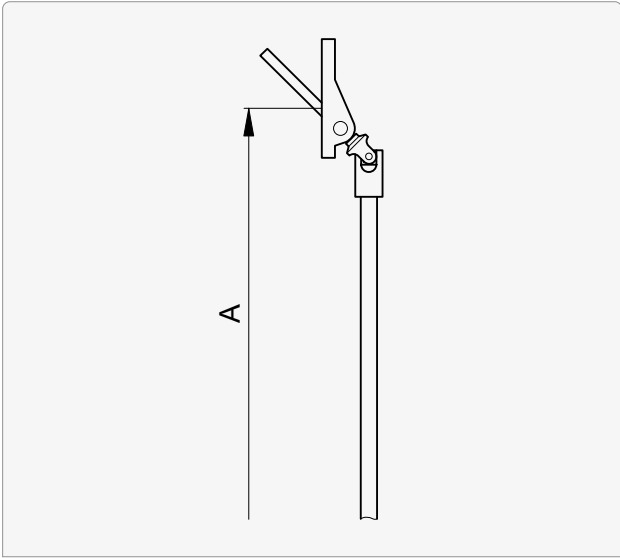


C
33*
* or according to order

A	D (extendable)
≥ 650	100
≥ 750	200
≥ 850	300
≥ 950	400
≥ 1050	500

Type | Standard

8 mm

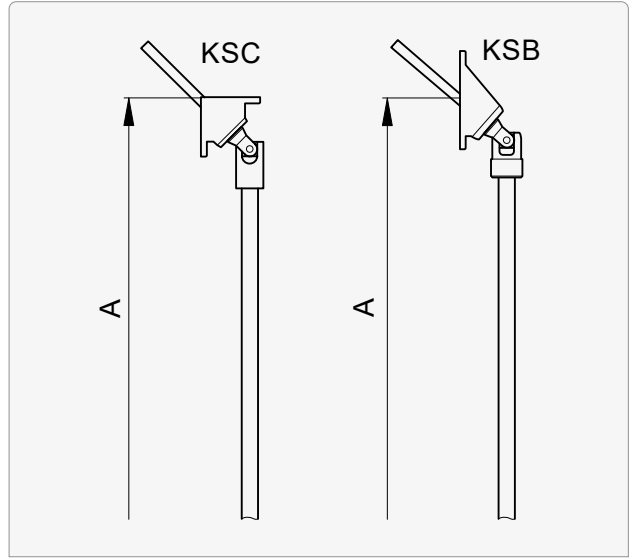


**A min.**

550

**Hinge guide**

**01** 25x90



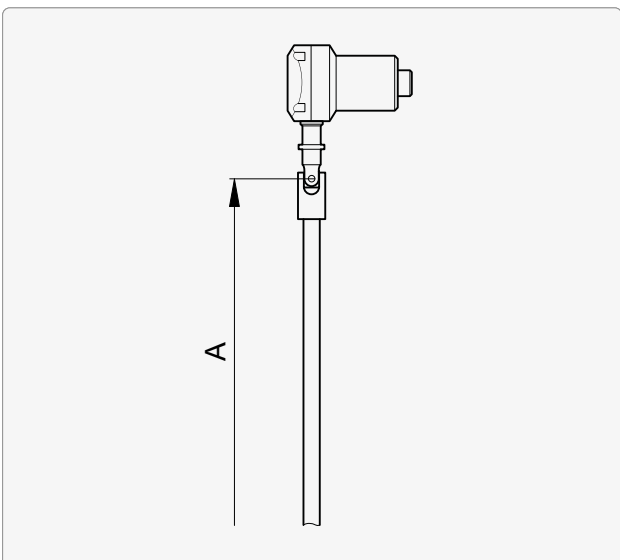
**A min.**

550

**Hinge guide**

**04** KSB 35x75

**05** KSC 35x44/44

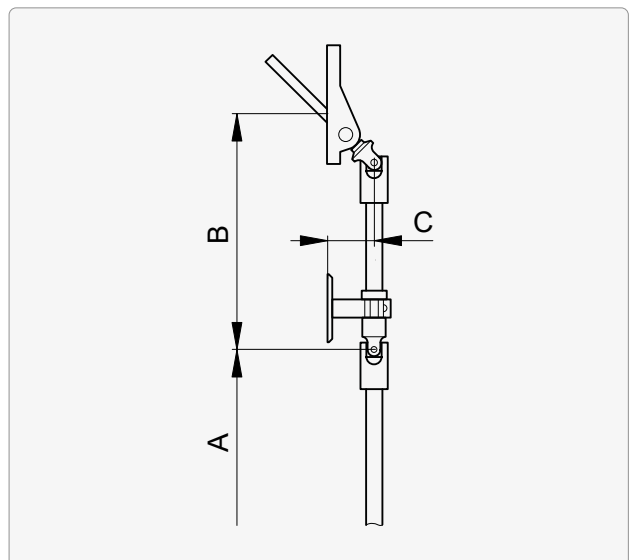


**A min.**

550

**Articulated crank**

**21** directly on gearbox



**A min.**

550

**B**

according to order

**C**

according to order

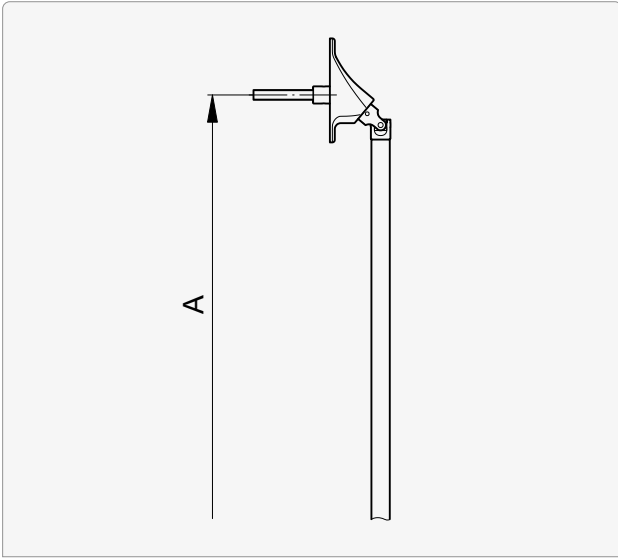
**Hinge guide with single rod guide**

**23** 25x90

**i** Gearbox is not included with crank delivery.

►► Type | Standard

8 mm

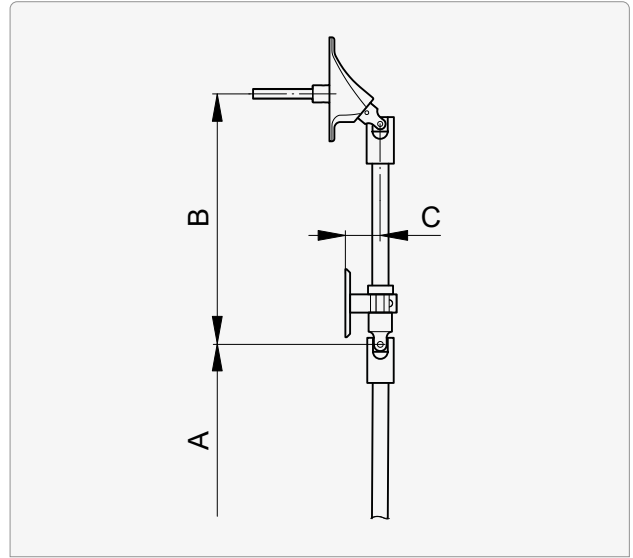


**A min.**

550

**Hinge guide 90°**

**37** 22x85



**A min.**

550

**B**

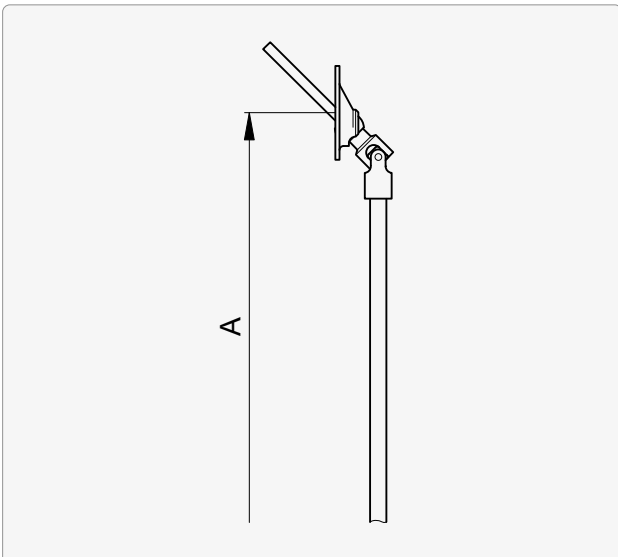
according to or-  
der

**C**

according to or-  
der

**Hinge guide 90° with single rod guide**

**67** 22x85



**A min.**

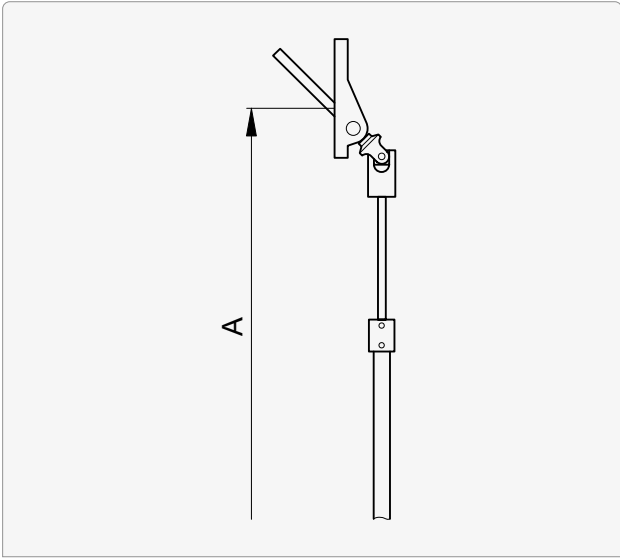
550

**Hinge guide**

**70** 36x70

Type | Extendable

8 mm

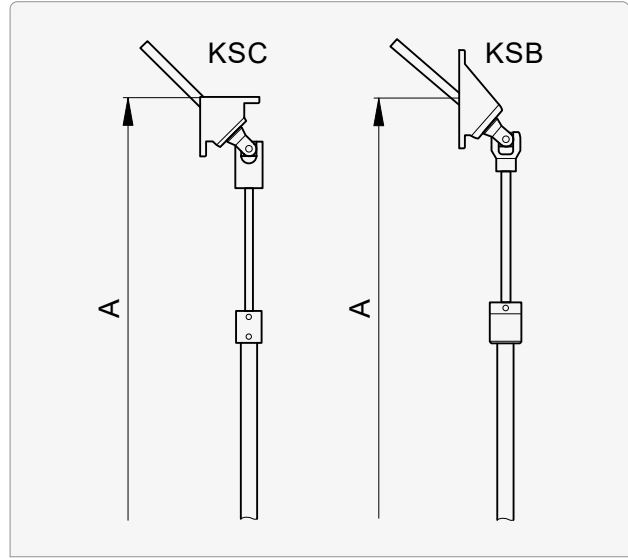


**A min.**

650

**Hinge guide**

**02** 25x90



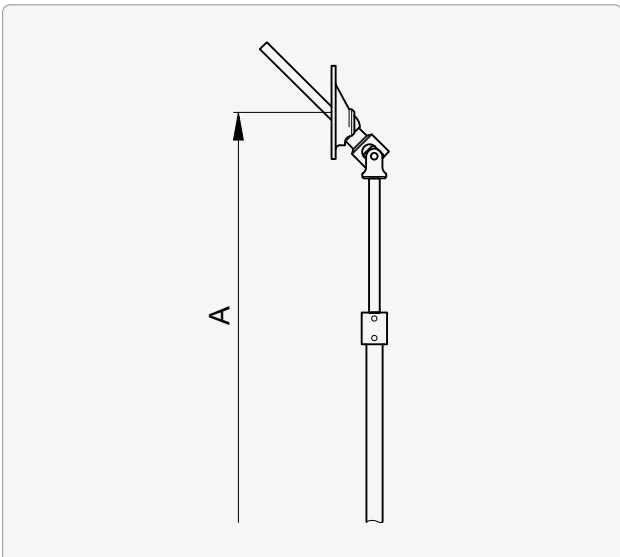
**A min.**

650

**Hinge guide**

**06** KSB 35x75

**07** KSC 35x44/44



**A min.**

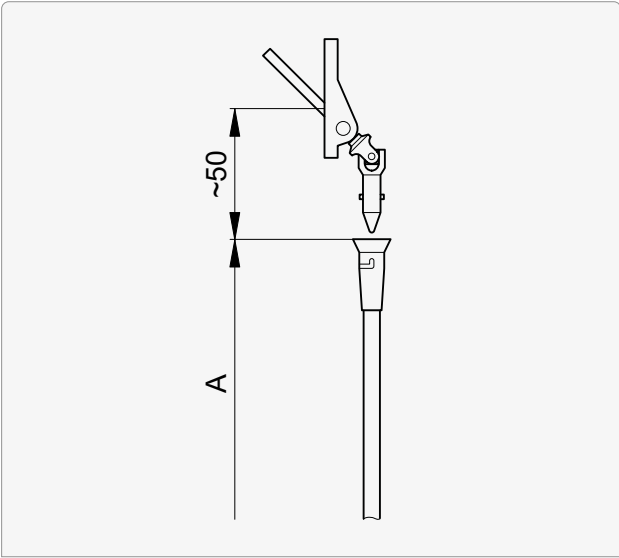
650

**Hinge guide**

**75** 36x70

Type | Bayonet lock

8 mm

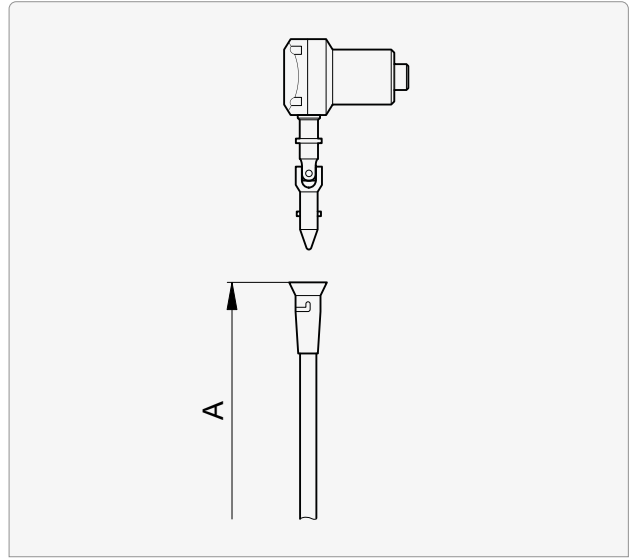


**A min.**

550

**Hinge guide**

**03** 25x90



**A min.**

550

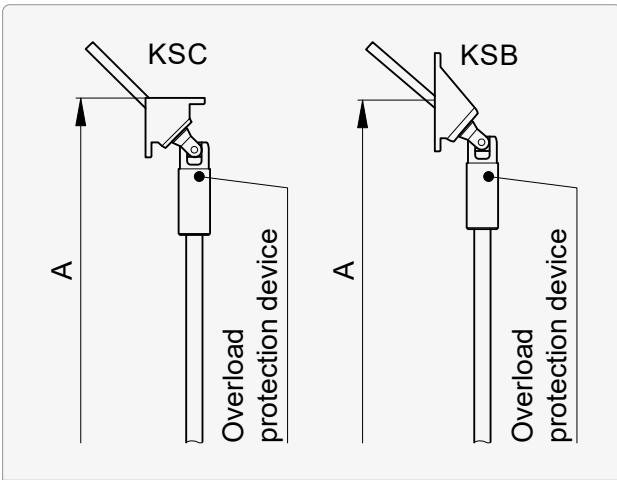
**Articulated crank**

**22** directly on gearbox\*

**i** Gearbox **is not included** with crank delivery.

Type | Rolpac® III Standard

8 mm



A min.

600

Hinge guide



Drive side

Label  
Surface [m<sup>2</sup>]

≤4 >4



Drive side

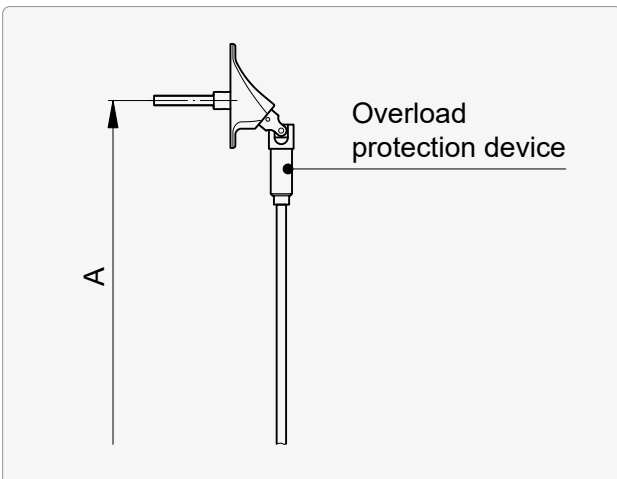
Label  
Surface [m<sup>2</sup>]

≤4 >4

<b>08</b>	KSB 35x75	<b>R</b>	R1	R
<b>09</b>	KSB 35x75	<b>L</b>	L1	L
<b>10</b>	KSC 35x44/44	<b>R</b>	R1	R
<b>11</b>	KSC 35x44/44	<b>L</b>	L1	L

<b>R</b>	R1	R
<b>L</b>	L1	L
<b>R</b>	R1	R
<b>L</b>	L1	L

<b>L</b>	R1	R
<b>R</b>	L1	L
<b>L</b>	R1	R
<b>R</b>	L1	L



A min.

550

Hinge guide 90°



Drive side

Label  
Surface [m<sup>2</sup>]

≤4 >4



Drive side

Label  
Surface [m<sup>2</sup>]

≤4 >4

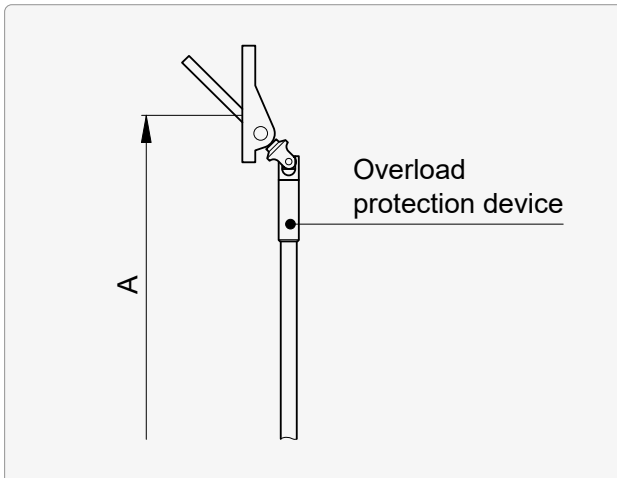
<b>26</b>	22x85	<b>R</b>	R1	R
<b>27</b>	22x85	<b>L</b>	L1	L

<b>R</b>	R1	R
<b>L</b>	L1	L

<b>L</b>	R1	R
<b>R</b>	L1	L

## ►► Type | Rolpac® III Standard

8 mm

**A min.**

600

## Hinge guide



Drive side

Label  
Surface [m<sup>2</sup>]

≤4 &gt;4

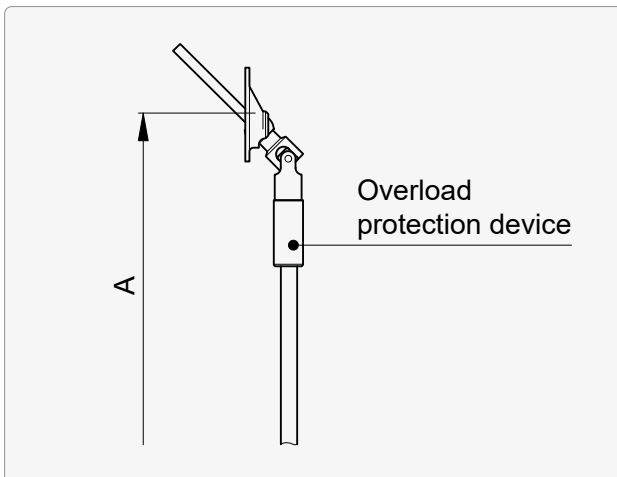


Drive side

Label  
Surface [m<sup>2</sup>]

≤4 &gt;4

<b>40</b>	25x90	<b>R</b>	–	R	<b>L</b>	–	R
<b>41</b>	25x90	<b>R</b>	R1	–	<b>L</b>	R1	–
<b>42</b>	25x90	<b>L</b>	–	L	<b>R</b>	–	L
<b>43</b>	25x90	<b>L</b>	L1	–	<b>R</b>	L1	–

**A min.**

550

## Hinge guide



Drive side

Label  
Surface [m<sup>2</sup>]

≤4 &gt;4



Drive side

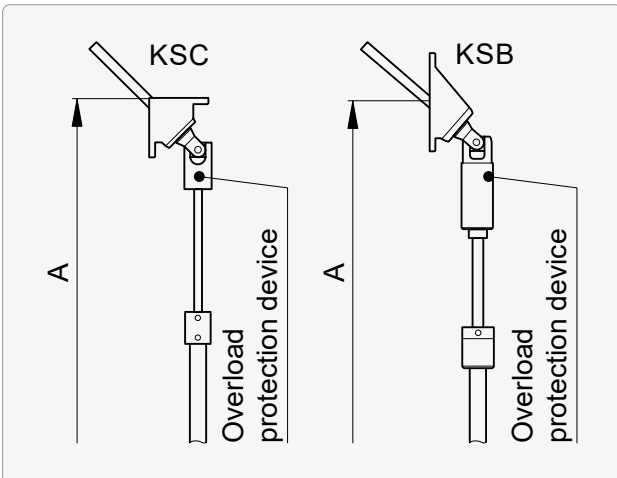
Label  
Surface [m<sup>2</sup>]

≤4 &gt;4

<b>76</b>	36x70	<b>R</b>	R1	R	<b>L</b>	R1	R
<b>77</b>	36x70	<b>L</b>	L1	L	<b>R</b>	L1	L

Type | Rolpac® III Extendable

8 mm



A min.

700

Hinge guide



Drive side

Label  
Surface [m<sup>2</sup>]

≤4 >4



Drive side

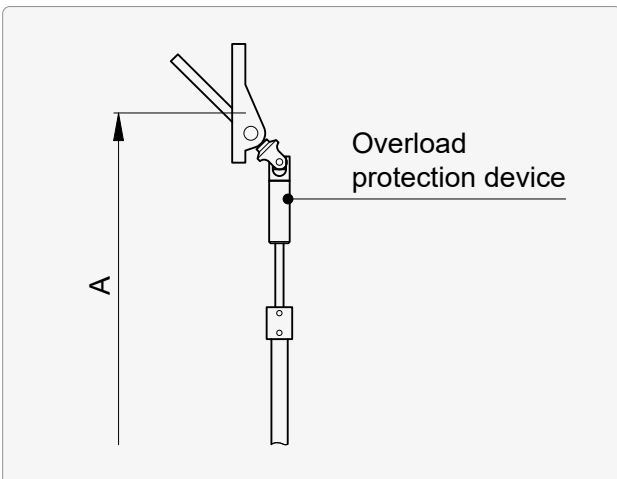
Label  
Surface [m<sup>2</sup>]

≤4 >4

<b>12</b>	KSB 35x75	<b>R</b>	R1	R
<b>13</b>	KSB 35x75	<b>L</b>	L1	L
<b>14</b>	KSC 35x44/44	<b>R</b>	R1	R
<b>15</b>	KSC 35x44/44	<b>L</b>	L1	L

<b>R</b>	R1	R
<b>L</b>	L1	L
<b>R</b>	R1	R
<b>L</b>	L1	L

<b>L</b>	R1	R
<b>R</b>	L1	L
<b>L</b>	R1	R
<b>R</b>	L1	L



A min.

700

Hinge guide



Drive side

Label  
Surface [m<sup>2</sup>]

≤4 >4



Drive side

Label  
Surface [m<sup>2</sup>]

≤4 >4

<b>44</b>	25x90	<b>R</b>	R1	R
<b>45</b>	25x90	<b>R</b>	R1	R
<b>46</b>	25x90	<b>L</b>	L1	L
<b>47</b>	25x90	<b>L</b>	L1	L

<b>R</b>	R1	R
<b>R</b>	R1	R
<b>L</b>	L1	L
<b>L</b>	L1	L

<b>L</b>	R1	R
<b>L</b>	R1	R
<b>R</b>	L1	L
<b>R</b>	L1	L



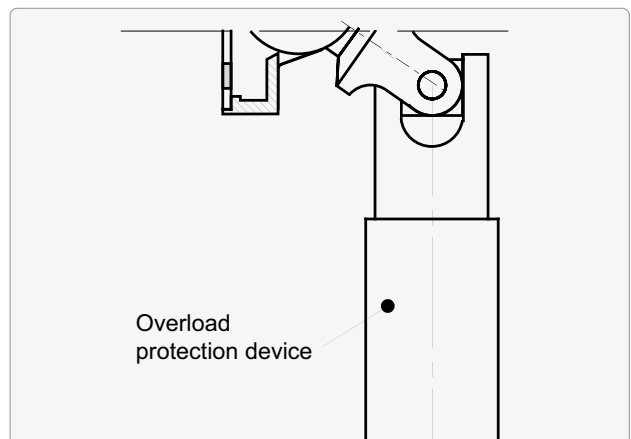
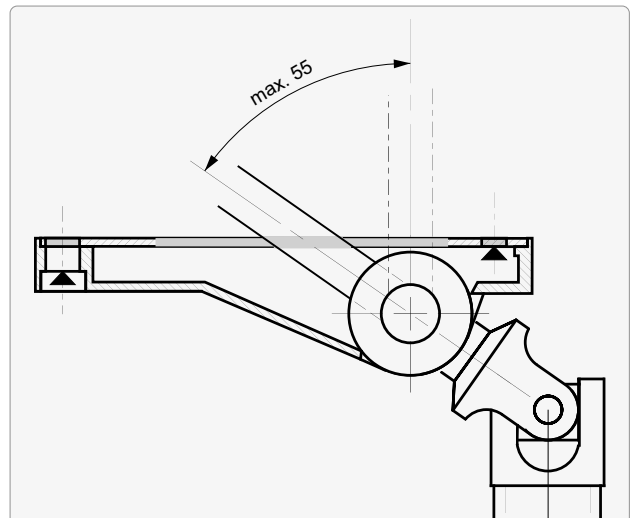
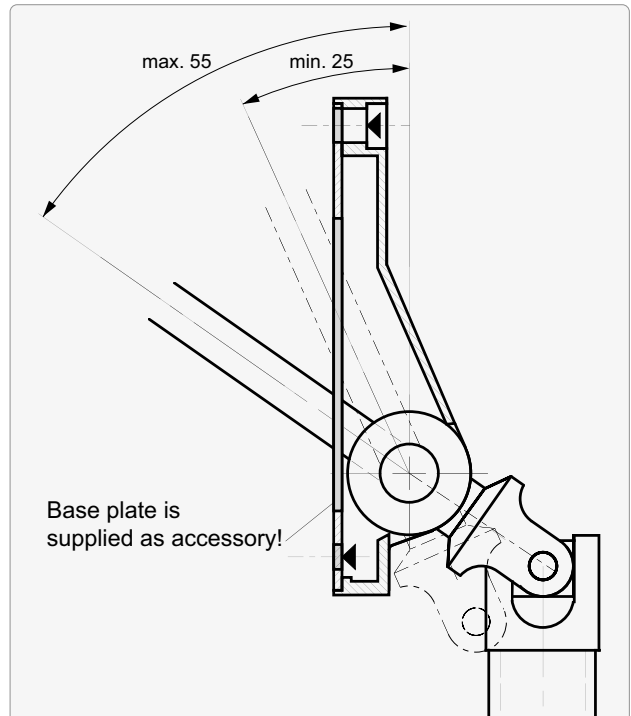
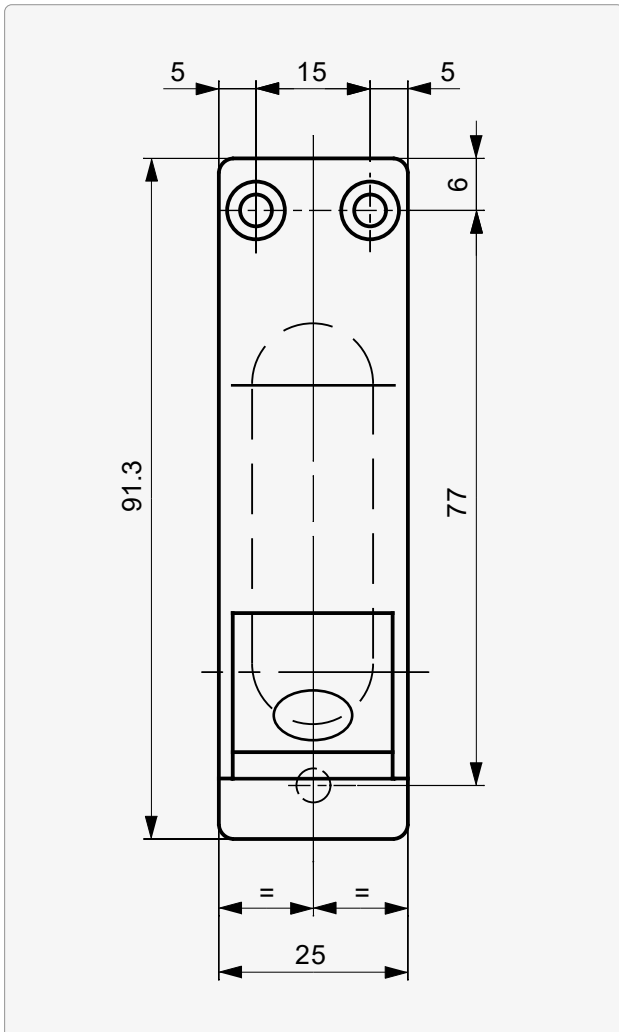


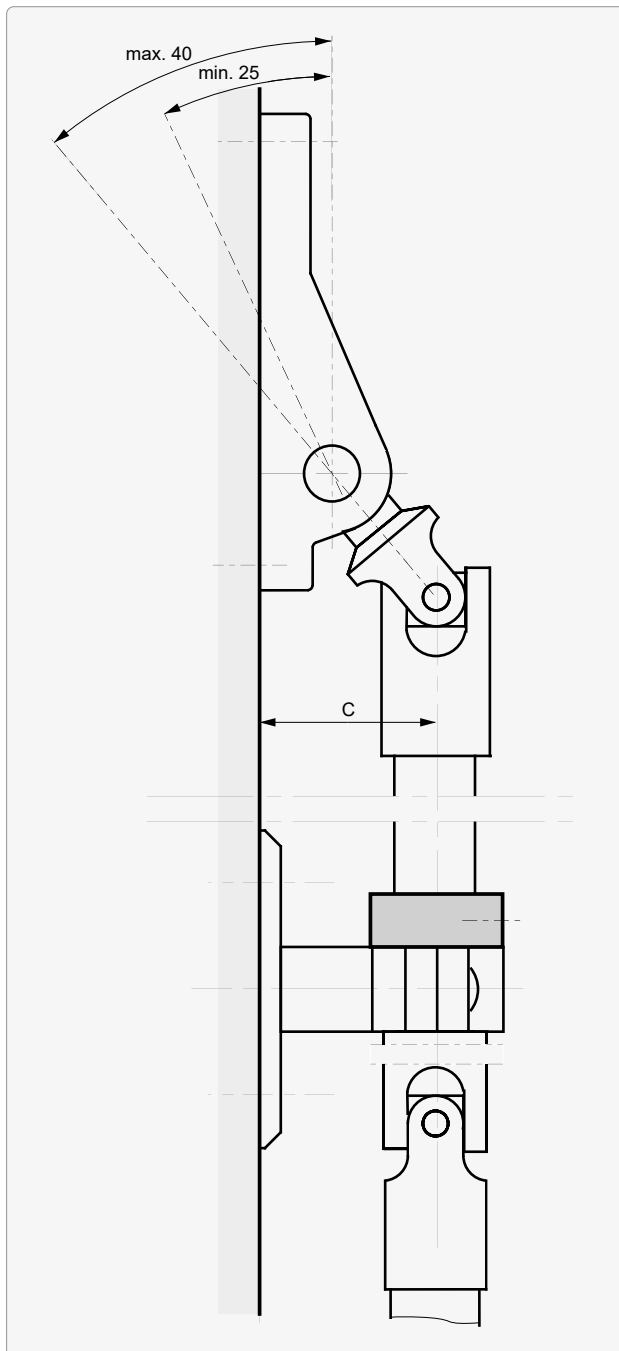


# Hinge guides

Type   25×90	<b>20</b>
Type   25×90 with single rod guide	<b>21</b>
Type   36×70	<b>22</b>
Type   22×85/90°	<b>23</b>
Type   KSB 35×75	<b>24</b>
Type   KSB 35×75 with base plate KS 60×100	<b>25</b>
Type   KSC 35×44/44	<b>26</b>
Hinge guide plate type   35 A	<b>27</b>
Hinge guide plate type   35 B	<b>28</b>
Hinge guide plate type   35 C	<b>29</b>
Cover plates for hinge guide type 25×90	<b>30</b>
Base plate for hinge guides	<b>31</b>
Support plates for hinge guide type 22×85/90°	<b>32</b>

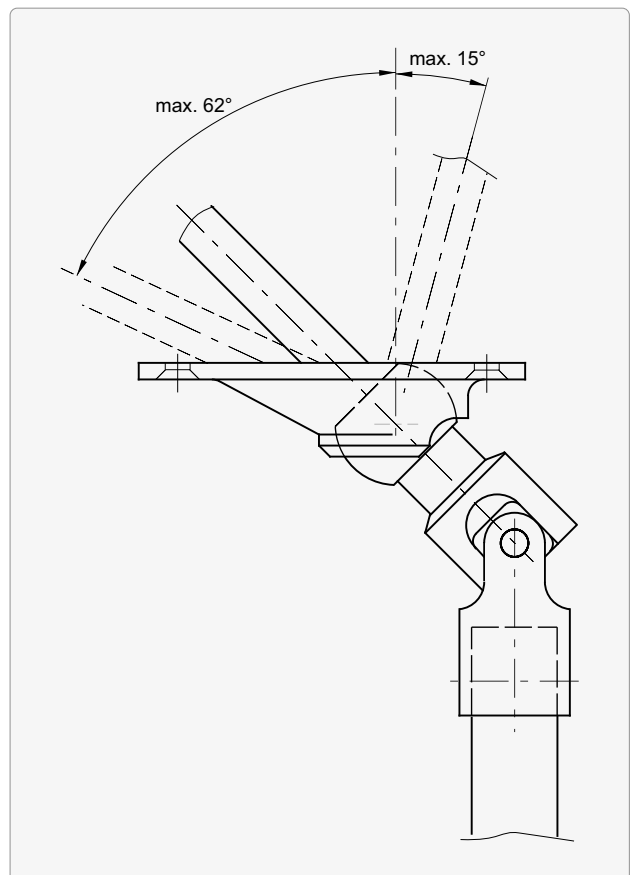
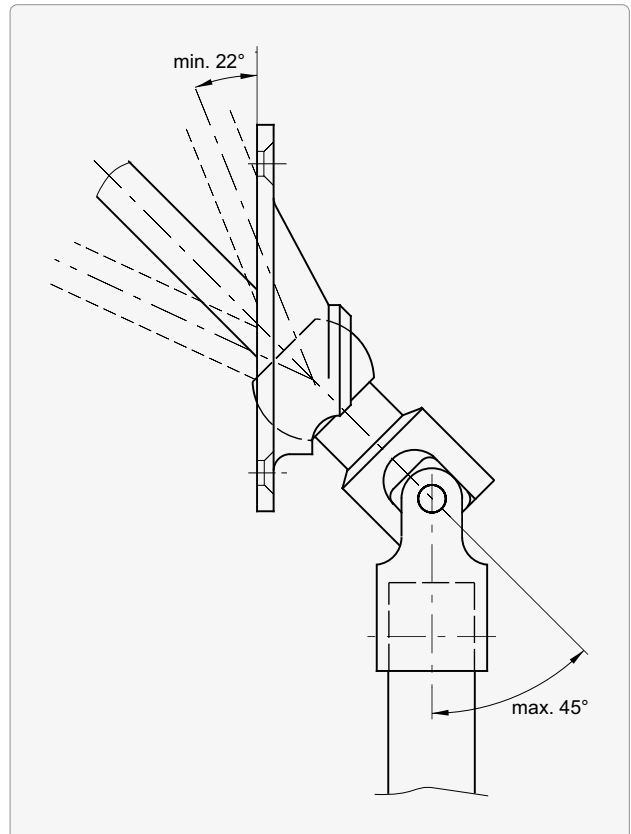
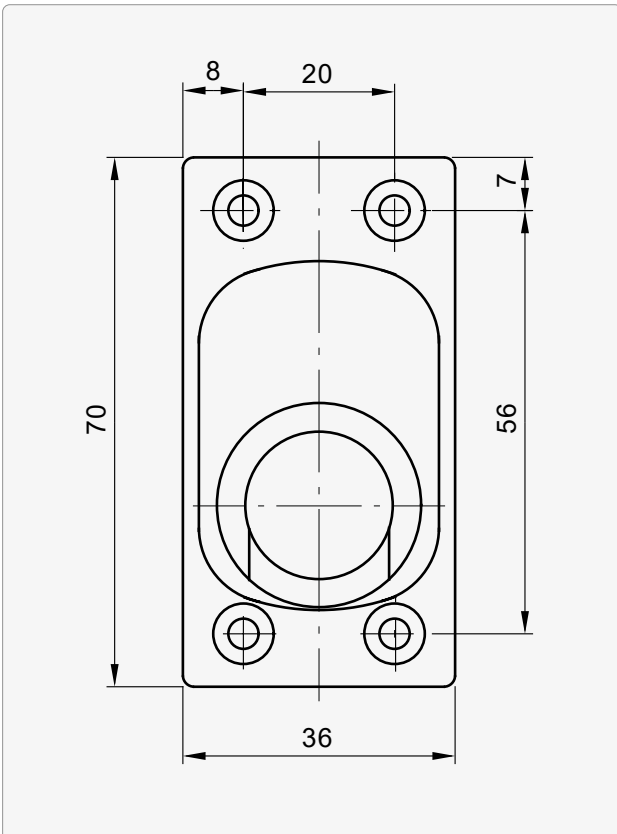
Type | 25 × 90



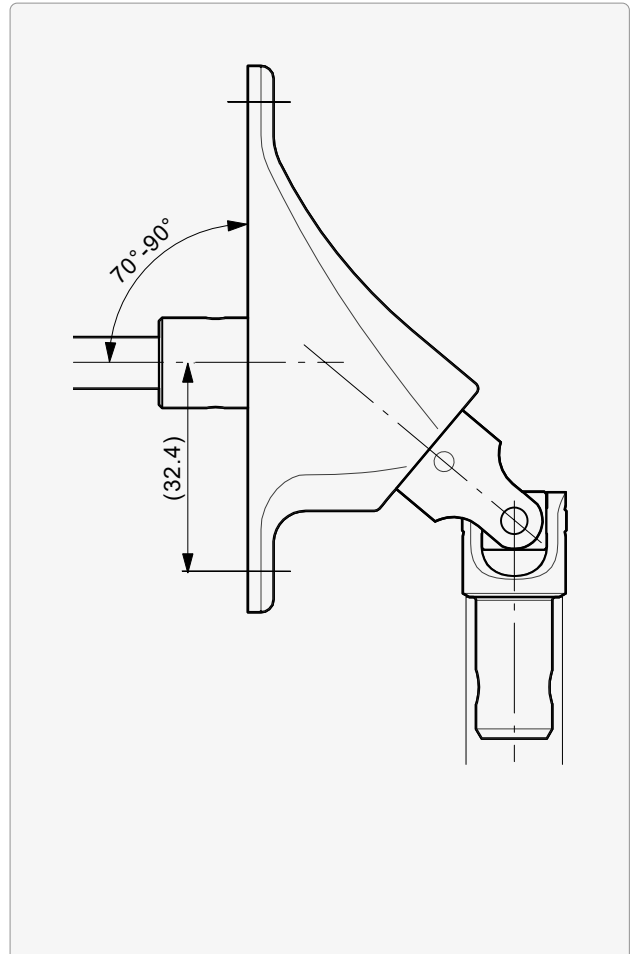
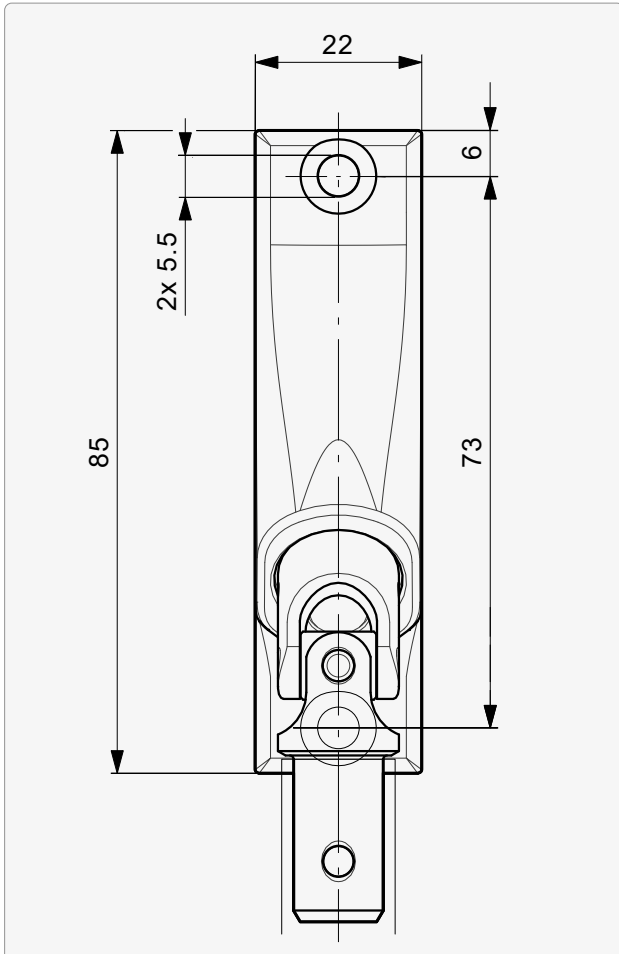
**Type | 25 × 90 with single rod guide**

<b>C</b>	<b>at angle</b>
33	40°
31	35°
29	30°
26	25°

Type | 36 × 70



## Type | 22 × 85 / 90°

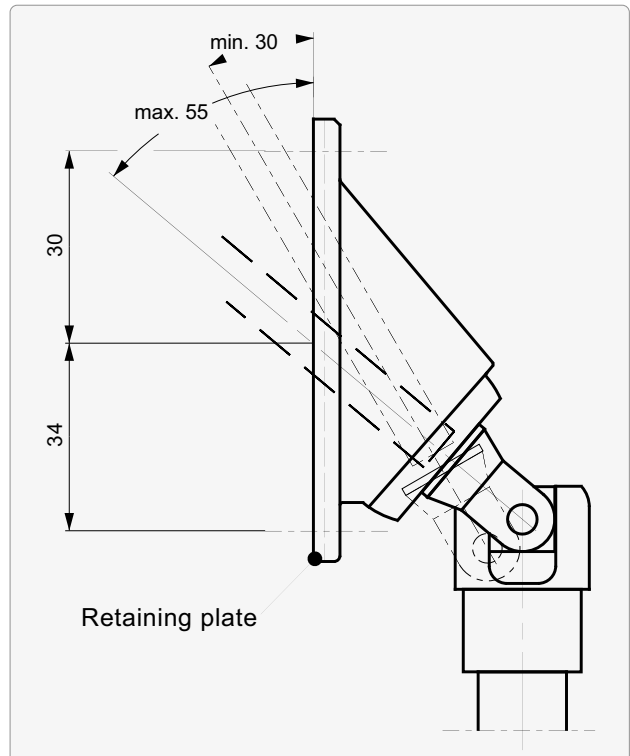
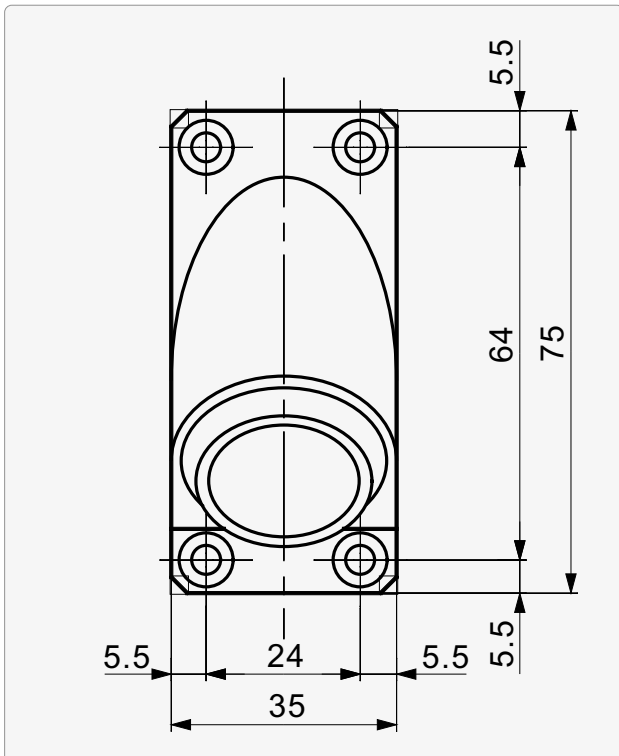


**Type | KSB 35 × 75**

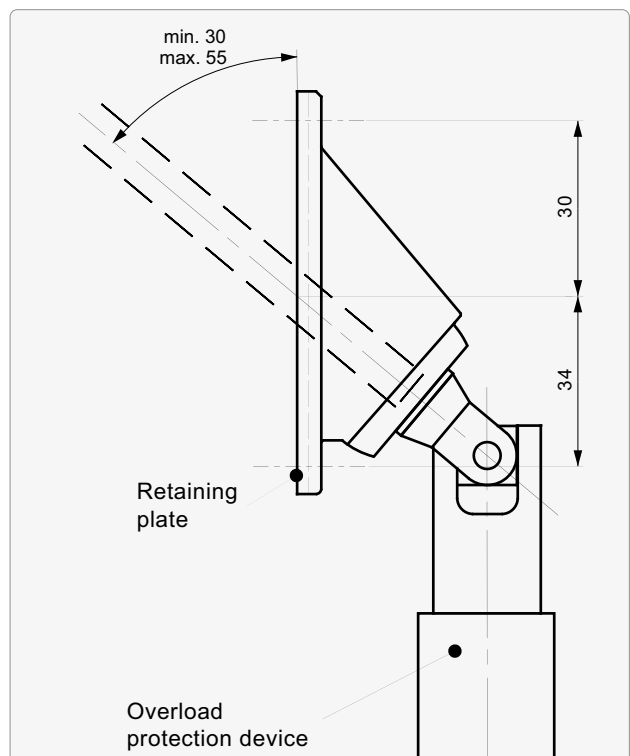
Hinge guide plate

Retaining plate

**i** Hinge ball halves are supplied as accessories.



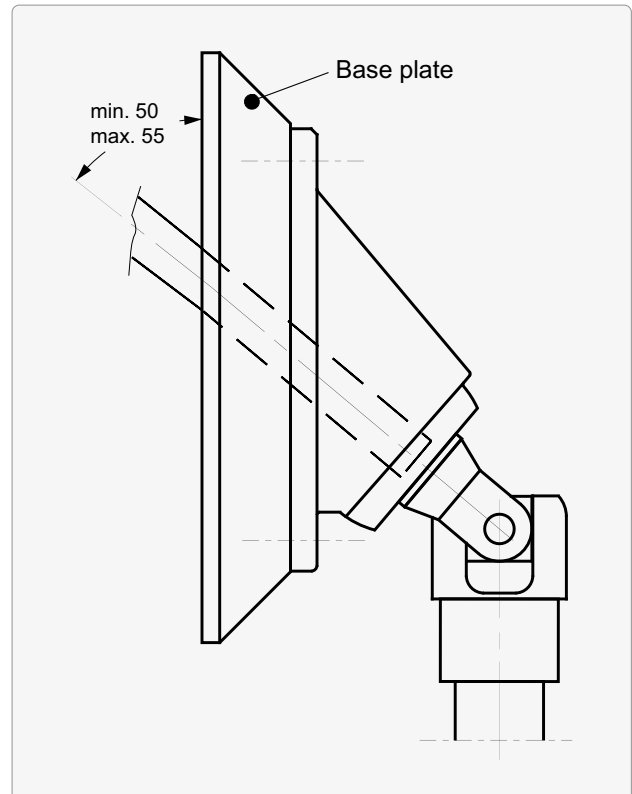
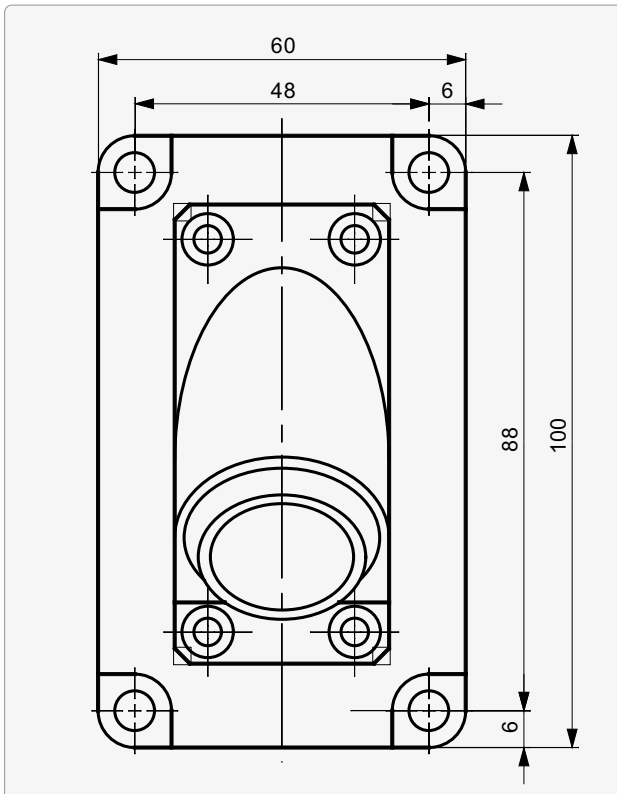
**Rolpac®**



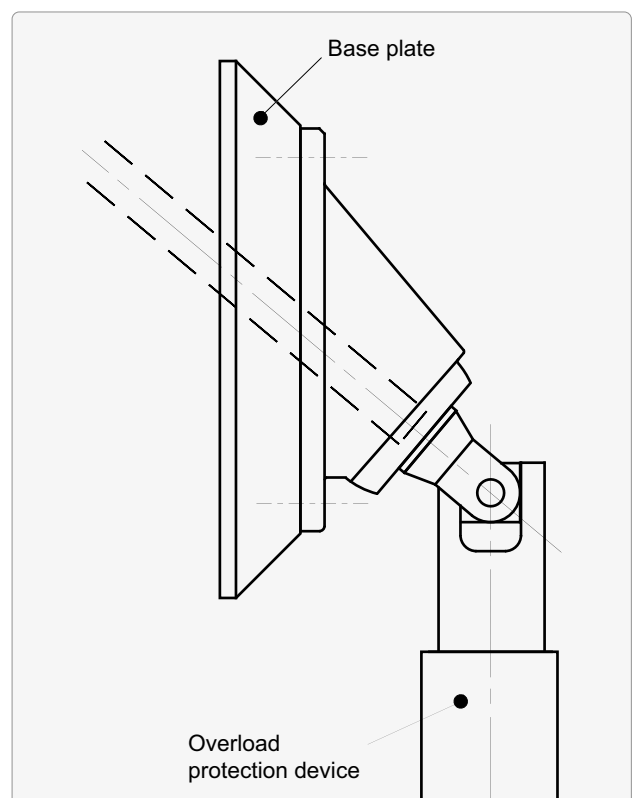


**Type | KSB 35 × 75 with base plate KS 60 × 100**

**i** The **base plate** must be **ordered separately**.



**Rolpac®**

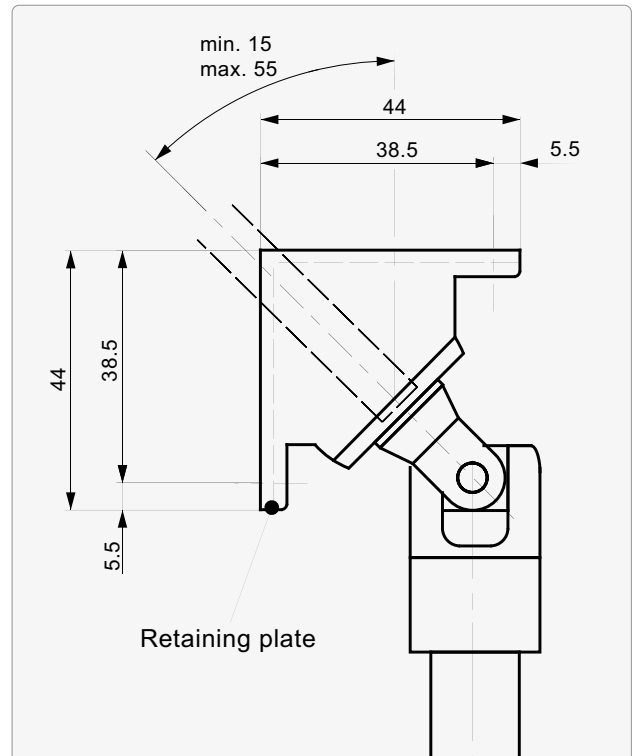
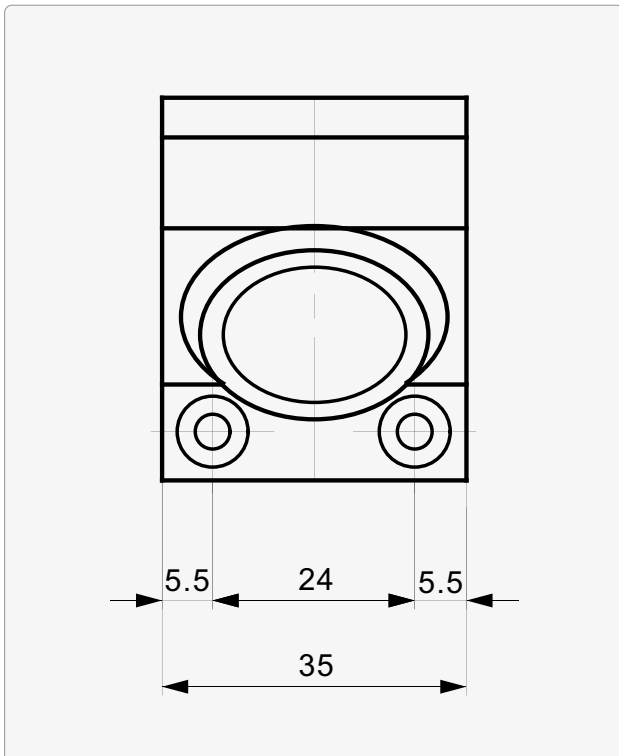


### Type | KSC 35 × 44 / 44

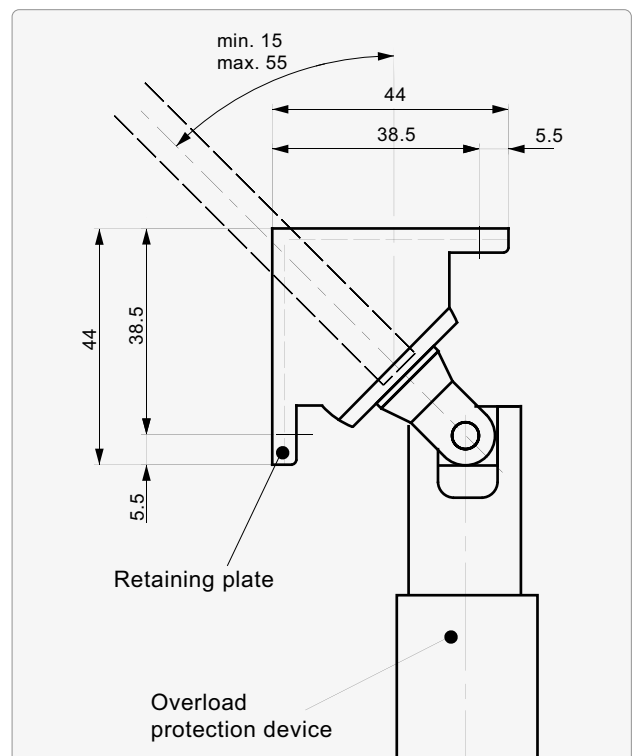
Hinge guide plate

Retaining plate

**i** Hinge ball halves are supplied as accessories.

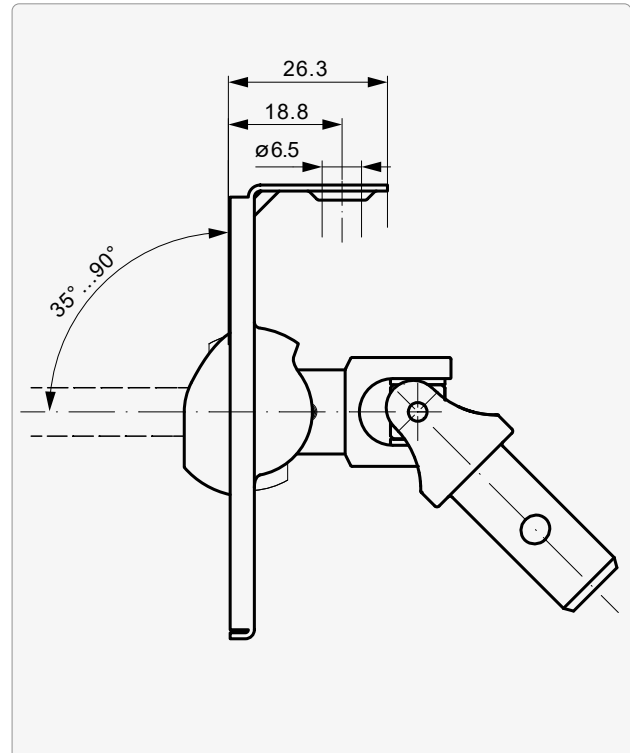
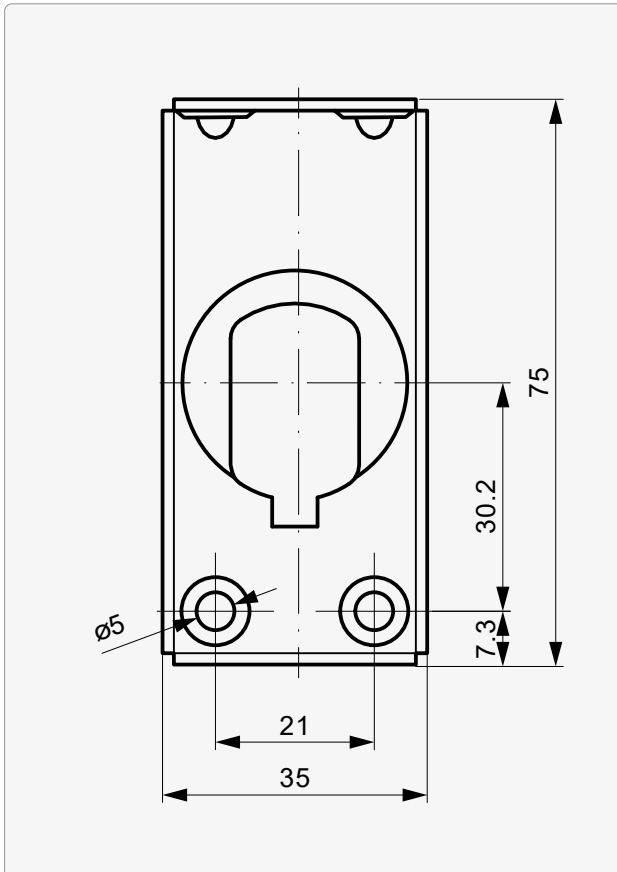


**Rolpac®**



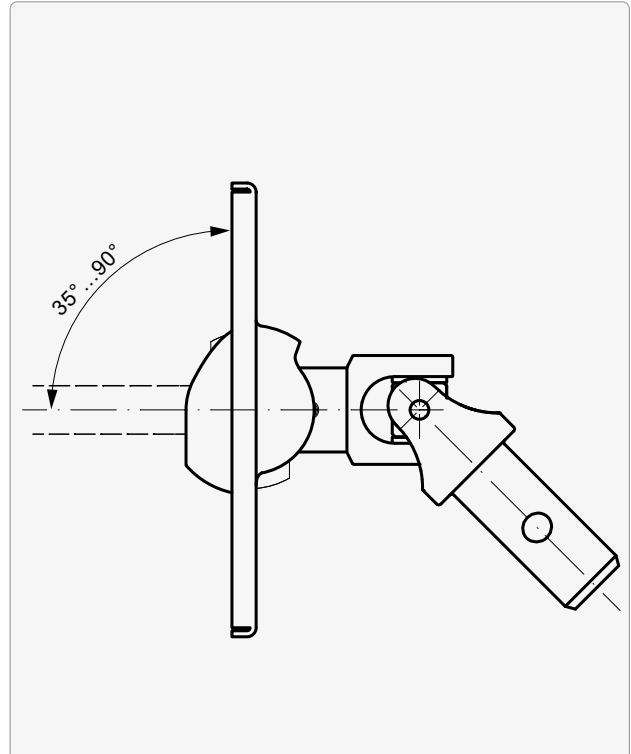
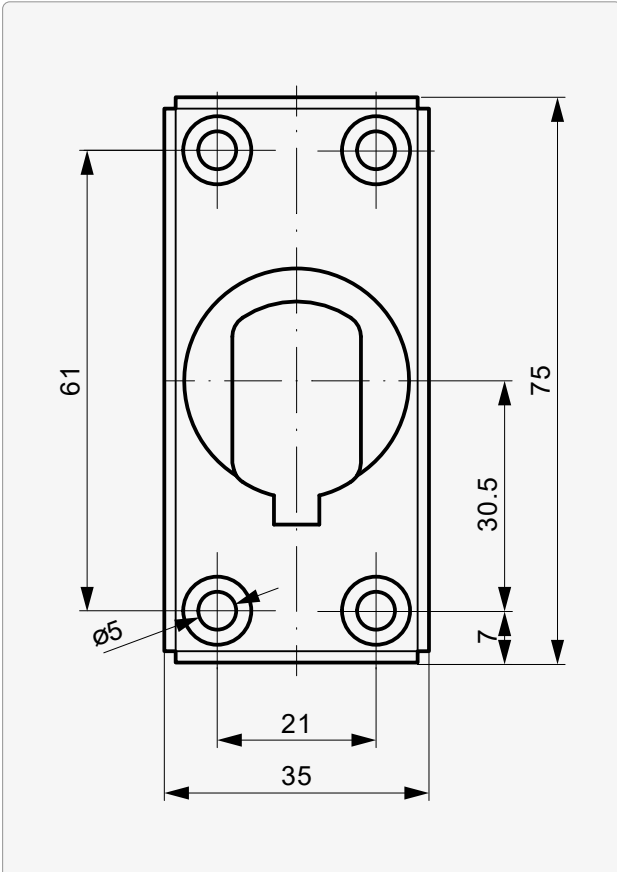
## Hinge guide plate type | 35 A

Hinge guide plate  
nickel-plated



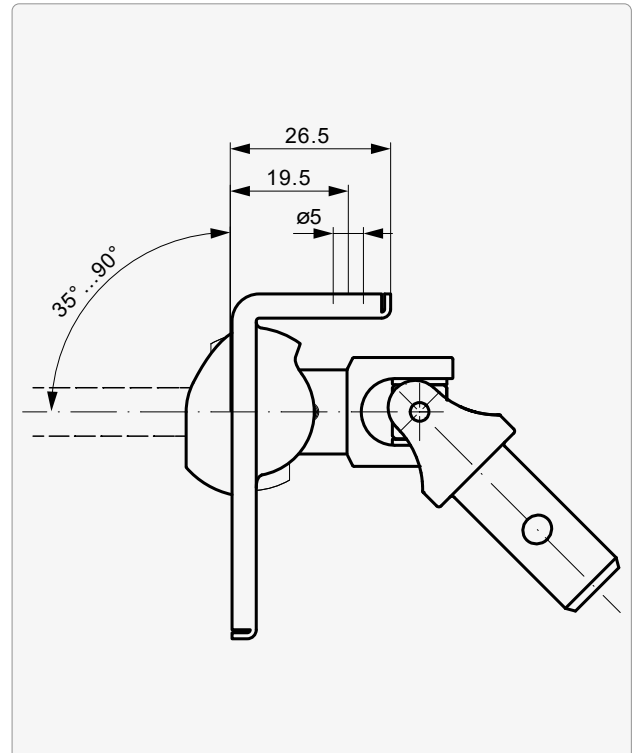
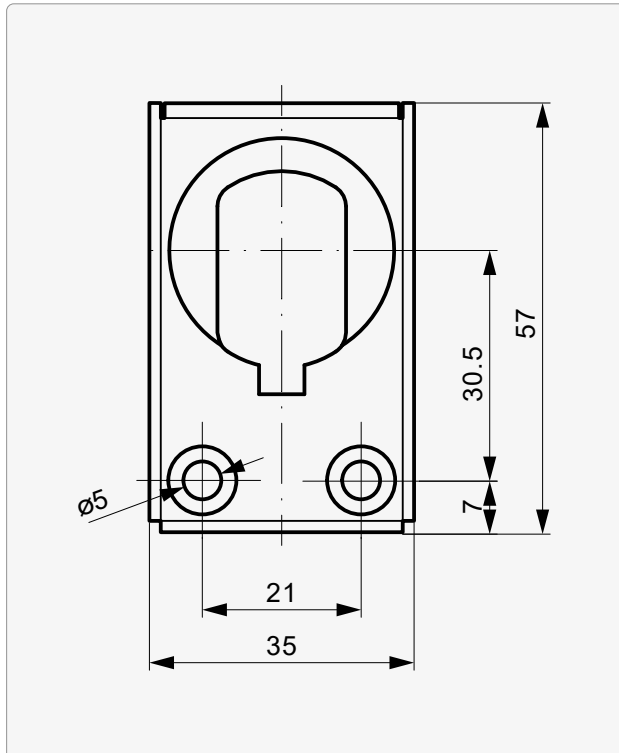
### Hinge guide plate type | 35 B

Hinge guide plate  
nickel-plated



## Hinge guide plate type | 35 C

Hinge guide plate  
nickel-plated



### Cover plates for hinge guide type 25 × 90

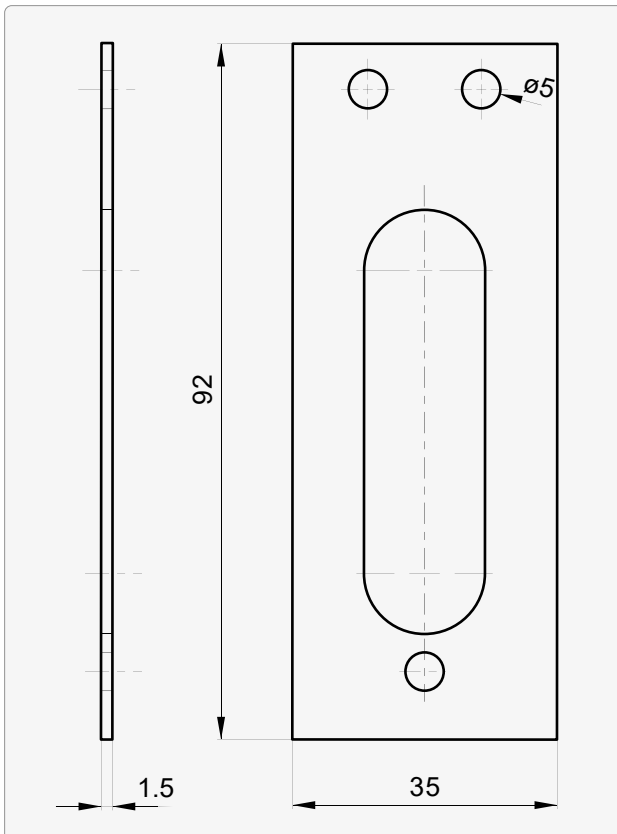
**i** Stove-enamelled

**Colors**

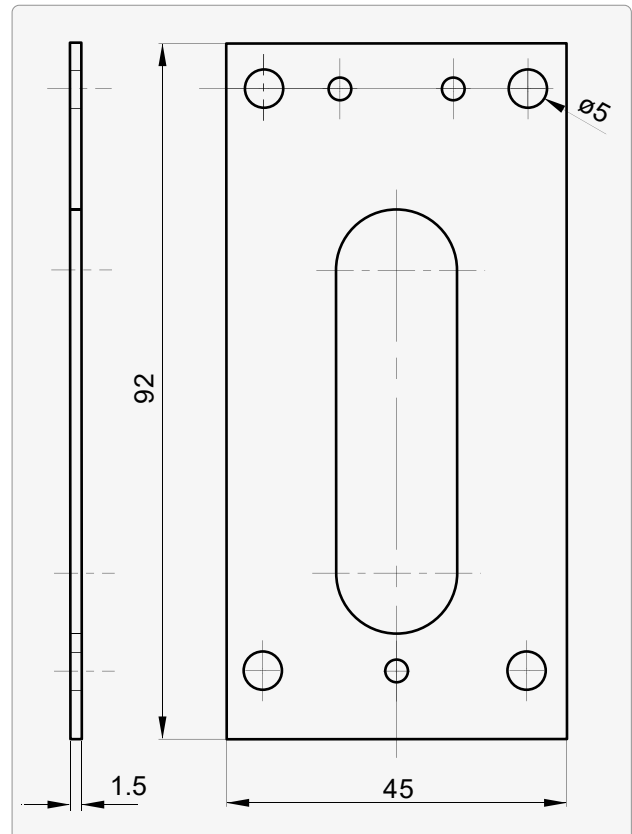
gray

white

92x35



92x45



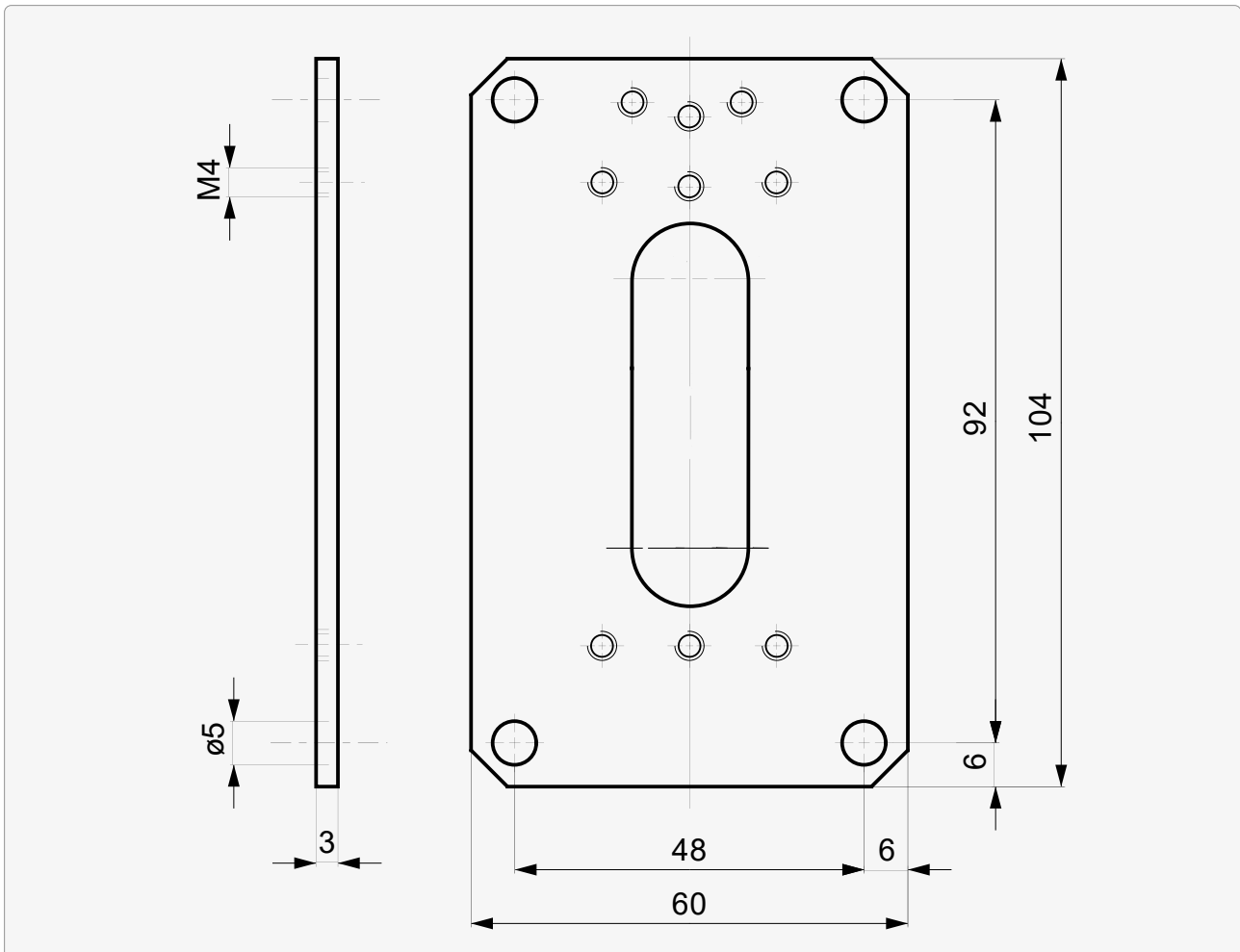
**Base plate for hinge guides****i** Transparently anodized**For hinge guides**

25×90

KSB 35×75

22×75/90° \*

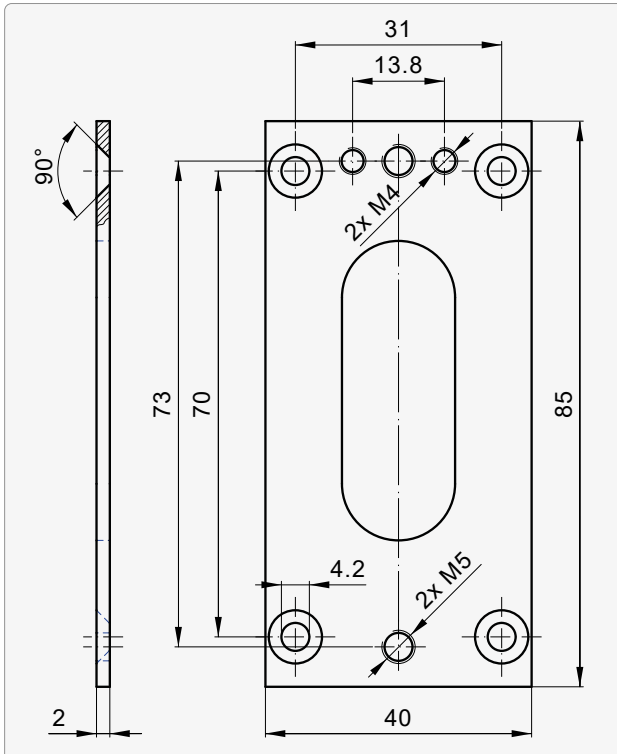
\* Only available as replacement.



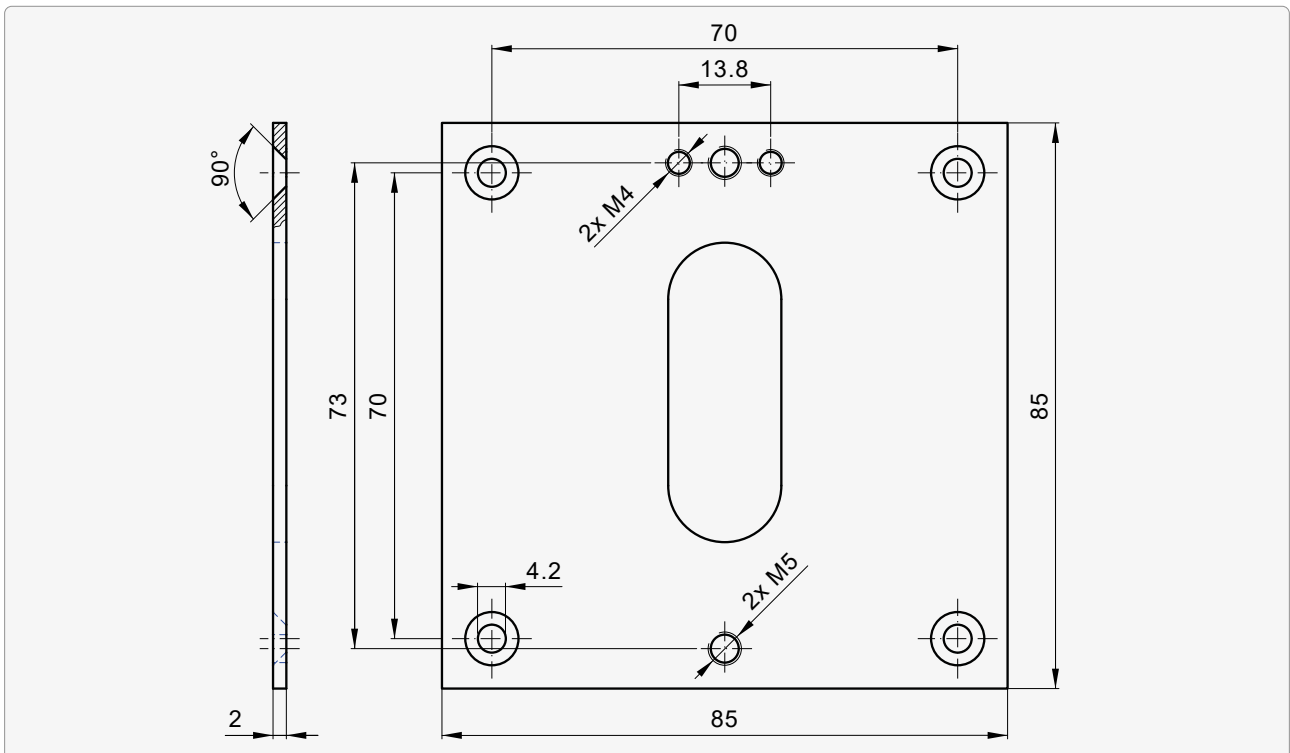
### Support plates for hinge guide type 22 × 85 / 90°

**i** Nickel-plated

40x85



85x85





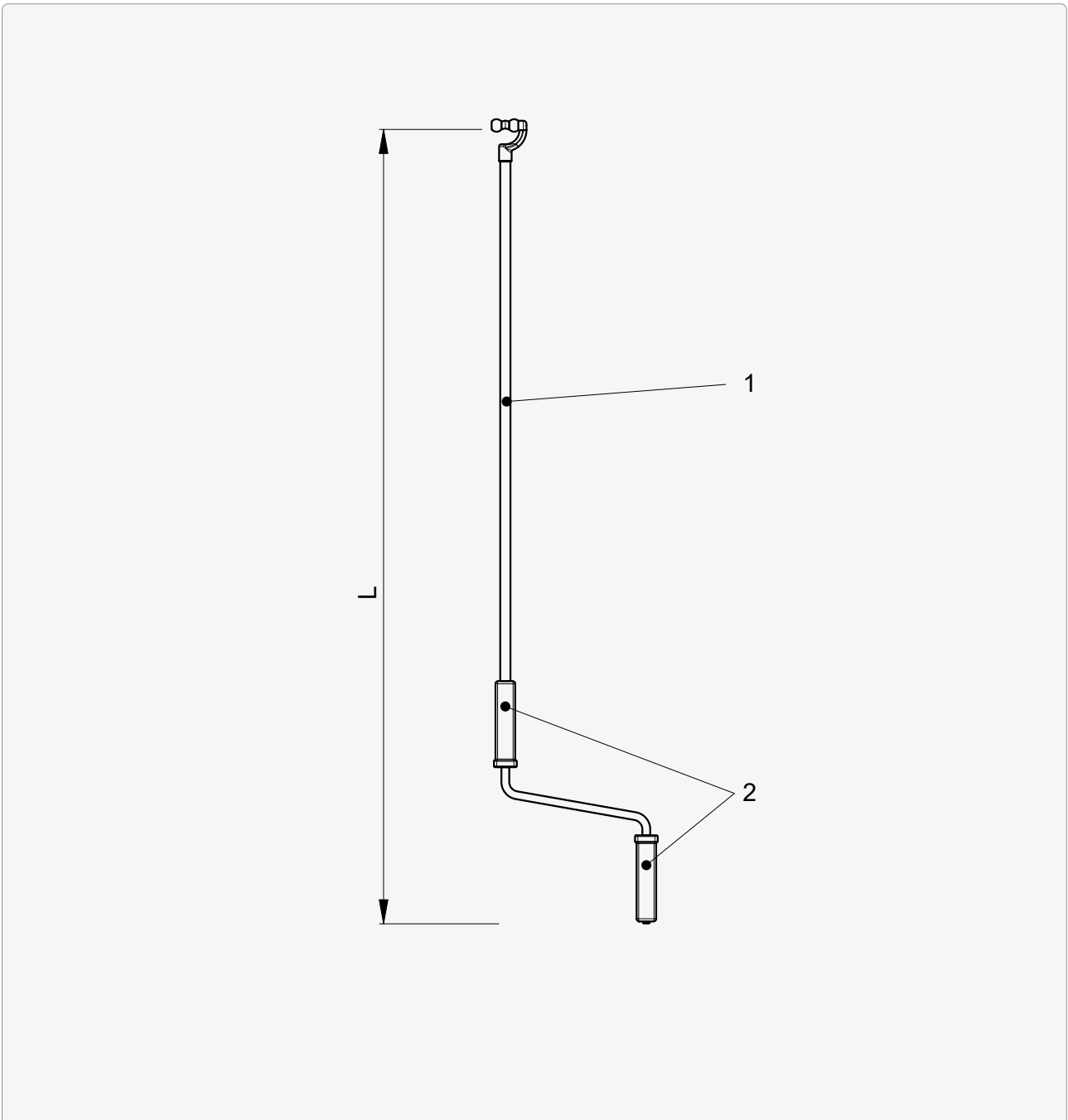




# Crank handle

Overview	36
Standard lengths depending on type	37

**Overview**



Pos.	Description	Material	Color
1	Operating handle Ø13	Steel	galvanized
2	Handles Ø25	Plastic	blck

➔ Value for L..... 37

### Standard lengths depending on type

<b>L</b>
800
1000
1200
1400
1600
1800
2000
2200
2400
2600
2800





Inspired by the **Sun.**

---

[griesser.com](https://griesser.com)



Subject to change without prior notice 20241121 Item no. 185056