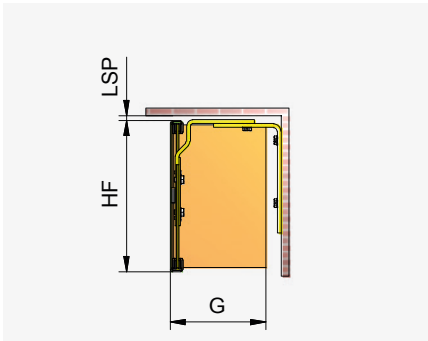
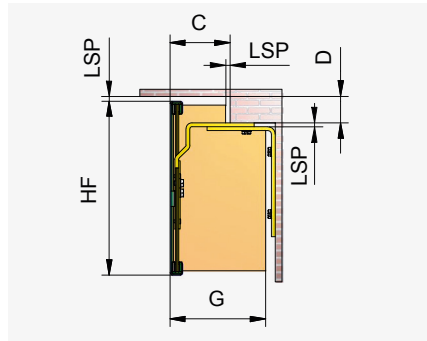


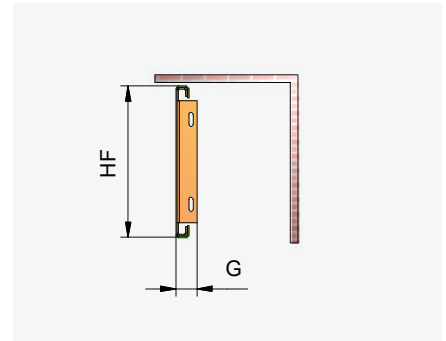
Technical data sheet Covers



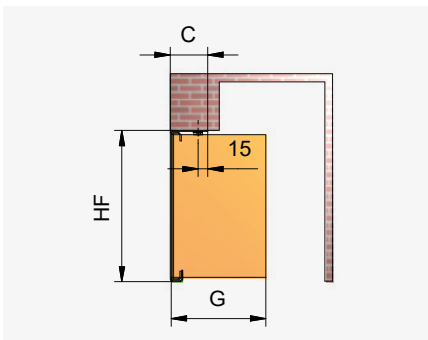
1.1 Straight cover. Clip, fastening at top or rear. Loose closing panel.



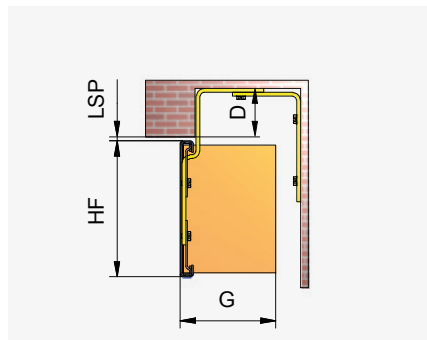
1.3 Straight cover. Blind package positioned deeper. Clip, fastening at top or rear. Loose closing panel.



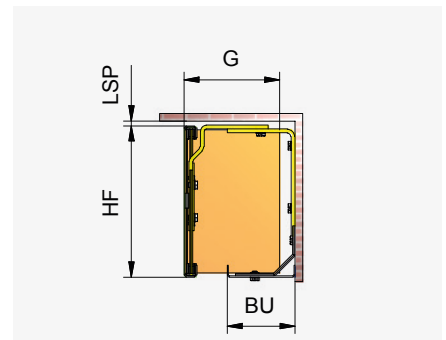
1.4 Straight cover. Without clip, fastening at side. Loose closing panel. No corner connections.



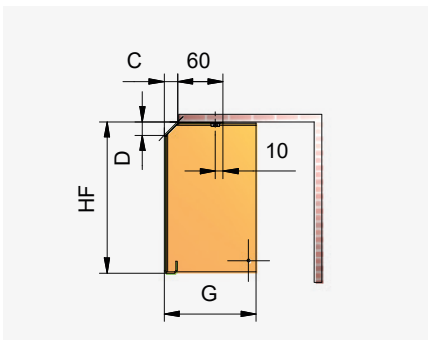
1.5 Lintel extension. Without clip, fastening at top. Loose closing panel.



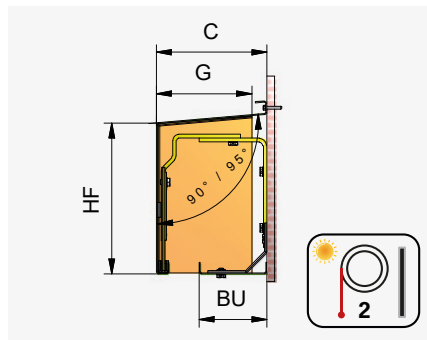
1.6 Straight cover, clip extended at top. Clip, fastening at top or rear. Loose closing panel.



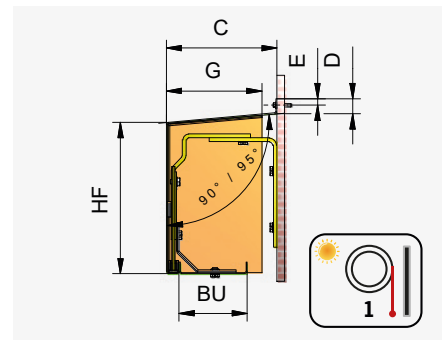
1.7 Straight cover with removable soffit. Clip, fastening at top or rear. Loose closing panel.



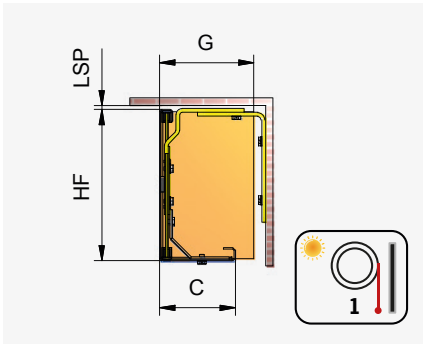
2.1 Protruding cover. Without clip, fastening at top. Fixed closing panel. No corner connections.



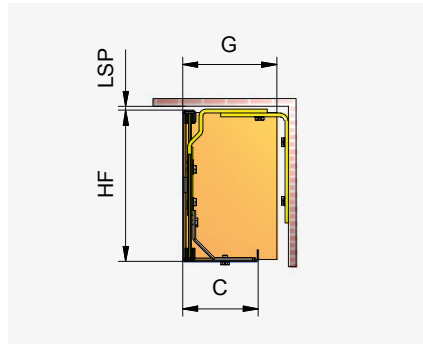
3.1 Porch cover with removable soffit. Rolling shutters unroll outwards. Clip, fastening at rear. Fixed closing panel. Option with 90° (depth C).



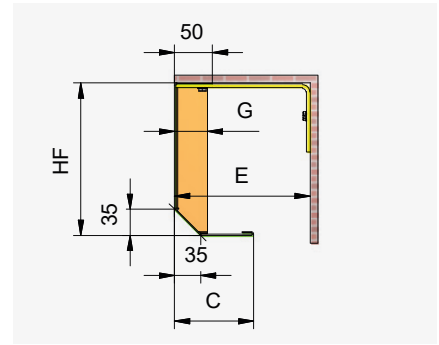
4.1 Porch cover with removable soffit. Rolling shutters unroll inwards. Clip, fastening at rear. Fixed closing panel. Option with 90° (depth C). Option of lifting mechanism at bottom (D dimension).



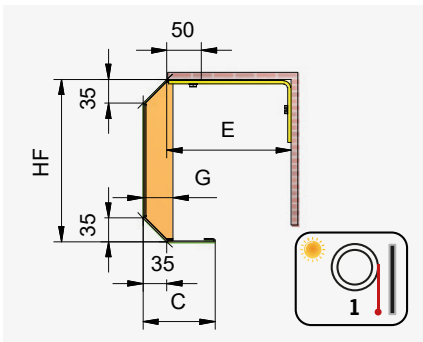
5.1 Cover with fixed soffit. Clip, fastening at top or rear. Fixed closing panel.



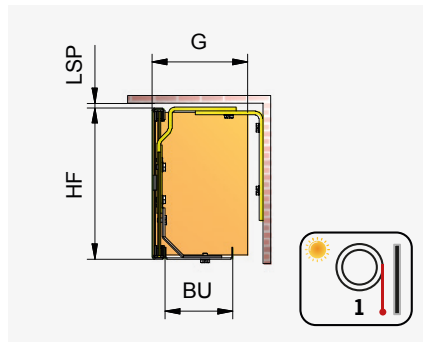
5.2 Cover with fixed soffit. Clip, fastening at top or rear. Fixed closing panel.



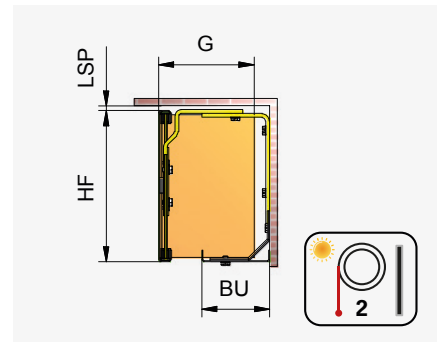
5.3 Cover at bottom, 45°, broken with fixed soffit. Fastening at top with box support. Fixed closing panel. No corner connections.



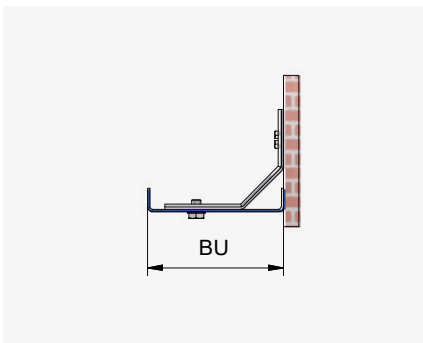
5.4 Cover at top and bottom, 45°, broken with fixed soffit. Fastening at top or rear. Fixed closing panel. No corner connections.



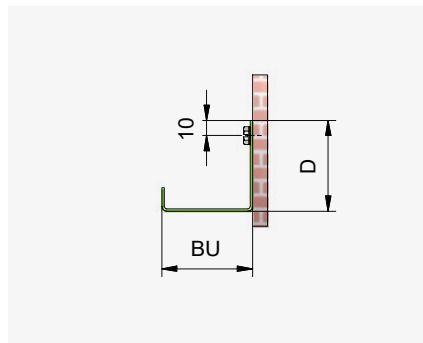
6.1 Cover with removable soffit. Clip, fastening at top or rear. Loose closing panel.



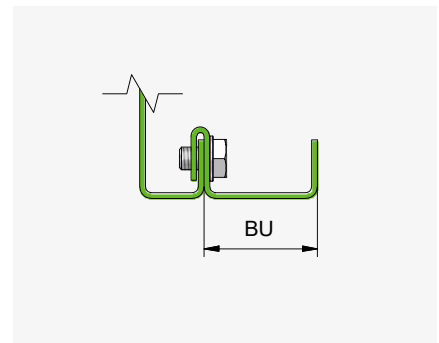
6.2 Cover with removable soffit. Clip, fastening at top or rear. Loose closing panel.



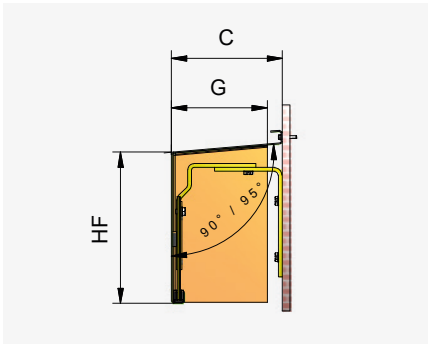
7.1 Soffit from 60 mm. Clip, fastening at rear. No corner connections.



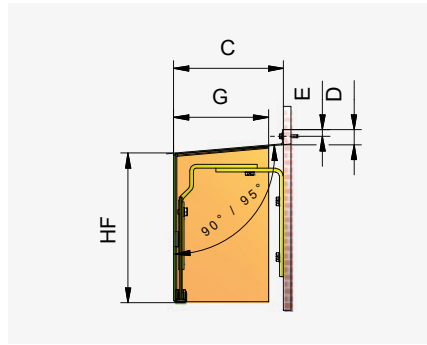
7.2 Soffit up to 140 mm. Without clip, fastening at rear. No corner connections.



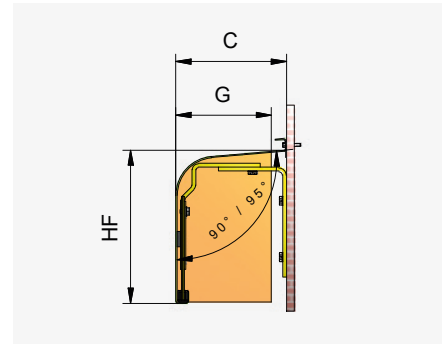
7.3 Soffit for hanging. Without clip. No corner connections.



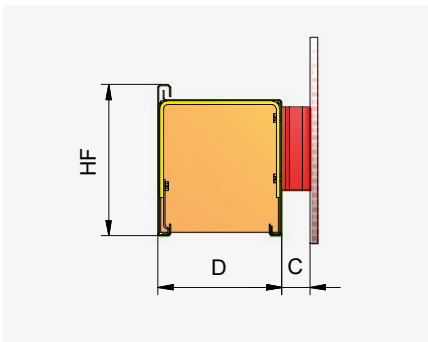
8.1 Porch cover. Clip, fastening at rear. Fixed closing panel. Option with 90° (depth C).



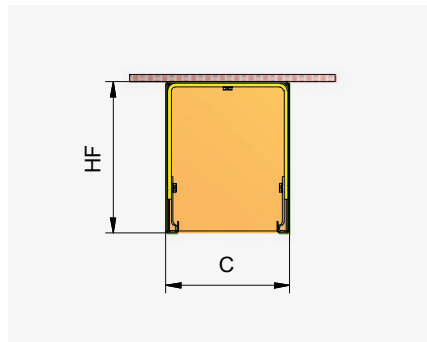
8.2 Porch cover below weatherboard. Clip, fastening at rear. Fixed closing panel. Option with 90° (depth C). Option of ledge at bottom (D dimension).



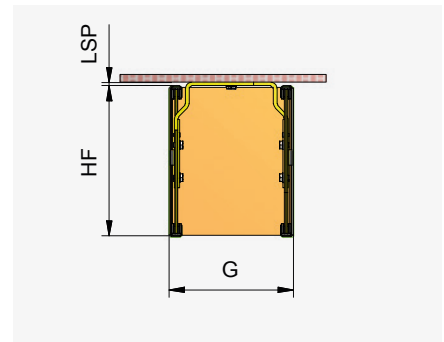
8.3 Porch cover, semi-circular. Clip, fastening at rear. Fixed closing panel. No corner connections.



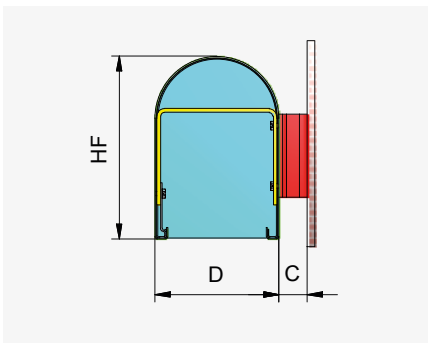
9.1 Suspended cover, with gap between cover and facade. Clip, fastening at rear. Z-bracket (C dimension), 20–50 mm. Loose closing panel. No corner connections.



9.2 Cover below lintel. Clip, fastening at top or rear. Fixed closing panel. No corner connections.



9.3 Cover inside and outside below lintel. Clip, fastening at top. Loose closing panel.



9.4 Suspended round cover, with gap between cover and facade. Clip, fastening at rear. Z-bracket (C dimension) 20–50 mm. Fixed closing panel. No corner connections.

KEY

BU	= Width of soffit
C	= Depth of front panel Type 9.1/9.4 Z-profile sheet metal
D	= Type 1.3/1.6 Header recess Type 2.1 Dimension HF as far as straight Type 4.1/8.2 Height of lug to top Type 9.1/9.4 Depth of front panel
E	= Type 4.1/8.2 from outside flap to hole centre (for hole spacing) Type 5.3/5.4 Length of box support
G	= Depth of closing panel
HF	= Height of front panel
LSP	= Light gap = 5

