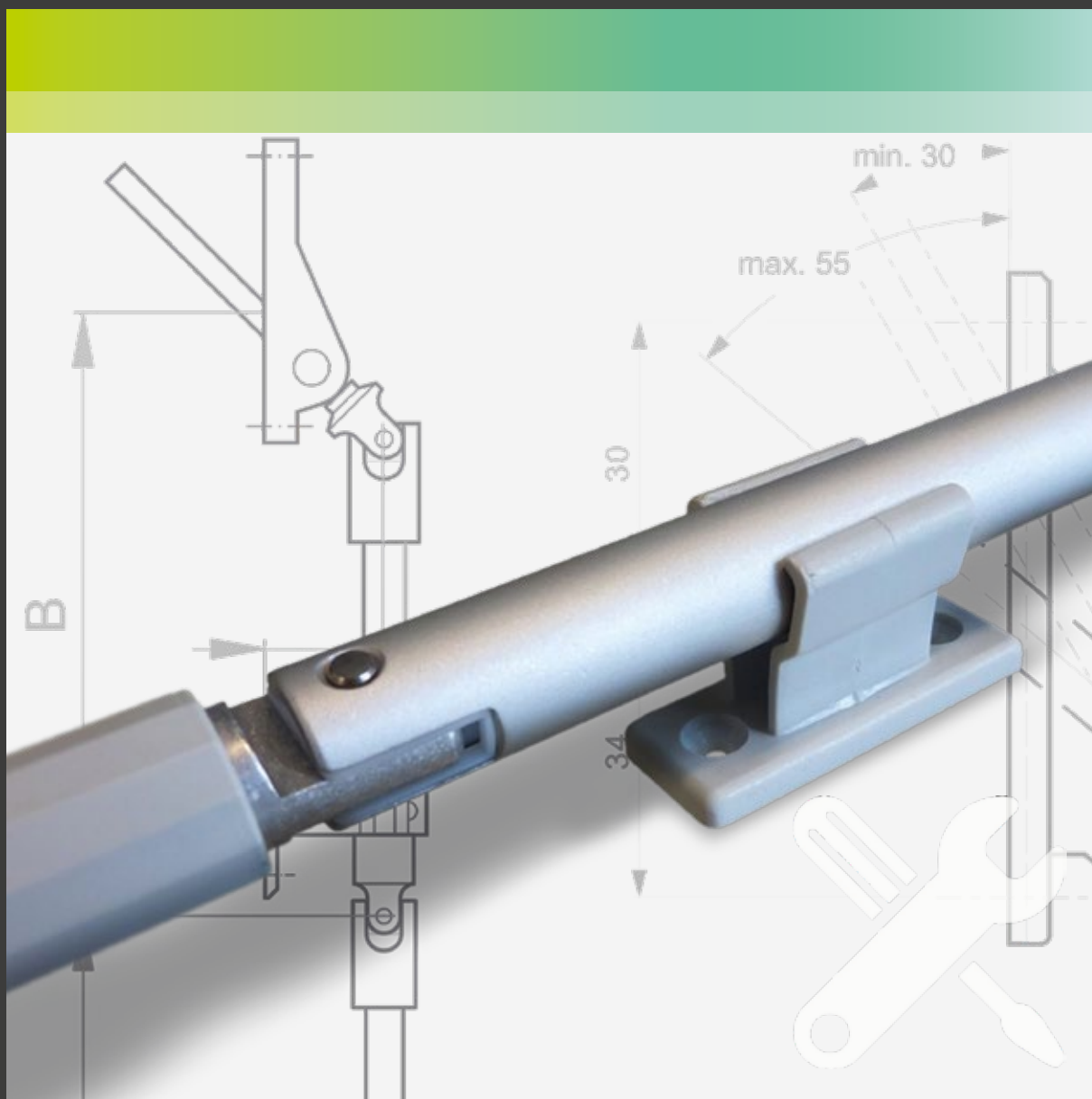
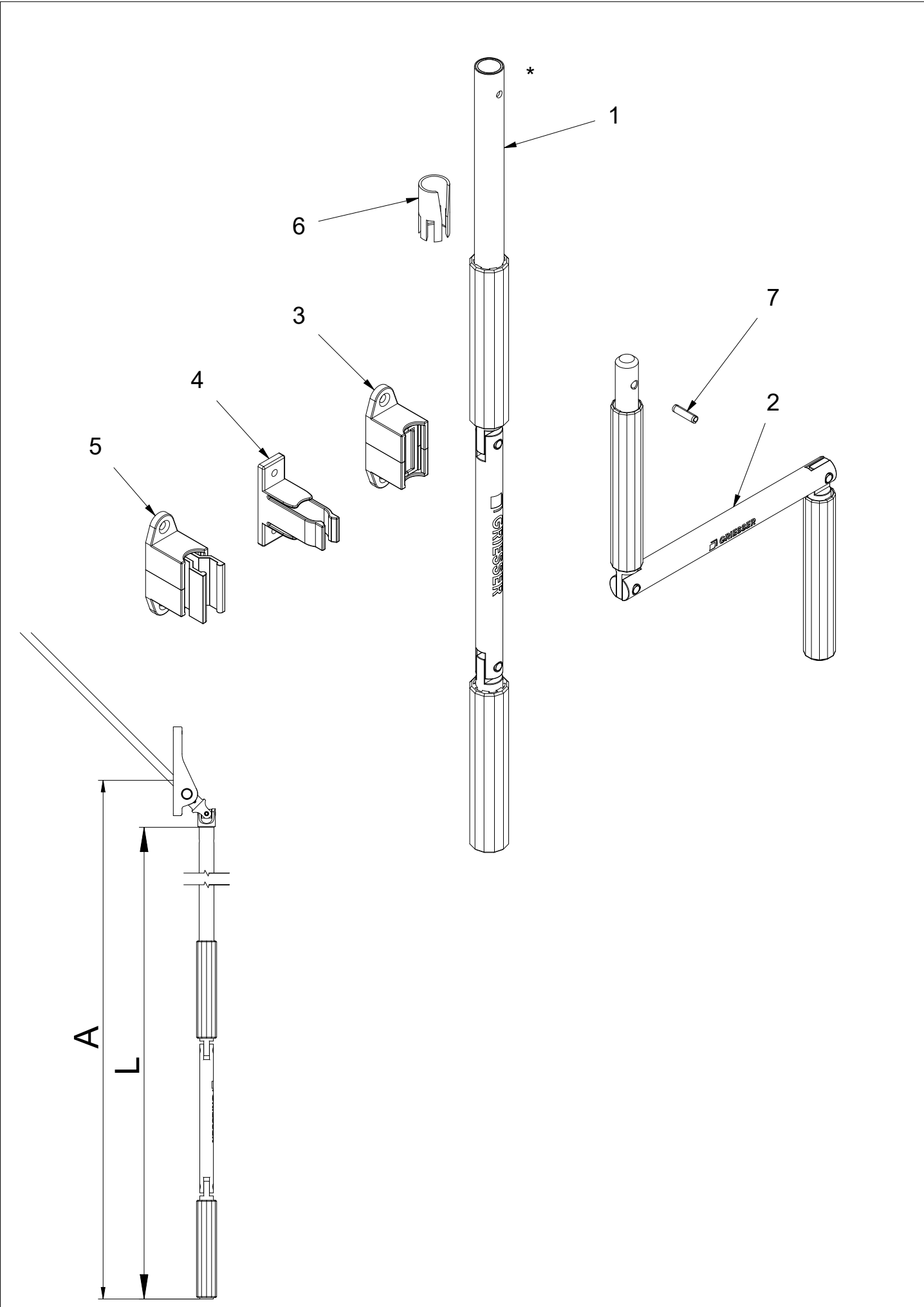


Service Components Catalogue

Kurbeln | Manivelles | Manovelle | Manivelas | Cranks



Gelenkkurbeln Kurbelstange



Gelenkkurbeln Kurbelstange

Pos	Artikelnummer	Beschreibung	Menge
1	176673	Kurbelstange L=490 Stahl (weiss)	pc
	176674	Kurbelstange L=540 Stahl (weiss)	
	176728	Kurbelstange L=590 Stahl (weiss)	
	176730	Kurbelstange L=640 Stahl (weiss)	
	176732	Kurbelstange L=690 Stahl (weiss)	
	176733	Kurbelstange L=740 Stahl (weiss)	
	176734	Kurbelstange L=790 Stahl (weiss)	
	176735	Kurbelstange L=840 Stahl (weiss)	
	176736	Kurbelstange L=890 Stahl (weiss)	
	176737	Kurbelstange L=940 Stahl (weiss)	
	176738	Kurbelstange L=990 Stahl (weiss)	
	176739	Kurbelstange L=1040 Stahl (weiss)	
	176740	Kurbelstange L=1090 Stahl (weiss)	
	176741	Kurbelstange L=1140 Stahl (weiss)	
	176744	Kurbelstange L=1190 Stahl (weiss)	
	176745	Kurbelstange L=1240 Stahl (weiss)	
	176746	Kurbelstange L=1290 Stahl (weiss)	
	176747	Kurbelstange L=1340 Stahl (weiss)	
	176748	Kurbelstange L=1390 Stahl (weiss)	
	176749	Kurbelstange L=1440 Stahl (weiss)	
	176750	Kurbelstange L=1490 Stahl (weiss)	
	176751	Kurbelstange L=1540 Stahl (weiss)	
	176752	Kurbelstange L=1590 Stahl (weiss)	
	176753	Kurbelstange L=1640 Stahl (weiss)	
	176754	Kurbelstange L=1690 Stahl (weiss)	
	176755	Kurbelstange L=1740 Stahl (weiss)	
	176756	Kurbelstange L=1790 Stahl (weiss)	
	176757	Kurbelstange L=1840 Stahl (weiss)	
	176758	Kurbelstange L=1890 Stahl (weiss)	
	176759	Kurbelstange L=1940 Stahl (weiss)	
	176573	Kurbelstange L=490 Stahl (grau)	
	176572	Kurbelstange L=540 Stahl (grau)	
	176574	Kurbelstange L=590 Stahl (grau)	
	176575	Kurbelstange L=640 Stahl (grau)	
	176576	Kurbelstange L=690 Stahl (grau)	

Gelenkkurbeln Kurbelstange

Pos	Artikelnummer	Beschreibung	Menge
1	176563	Kurbelstange L=740 Stahl (grau)	pc
	176564	Kurbelstange L=790 Stahl (grau)	
	176565	Kurbelstange L=840 Stahl (grau)	
	176566	Kurbelstange L=890 Stahl (grau)	
	176567	Kurbelstange L=940 Stahl (grau)	
	176568	Kurbelstange L=990 Stahl (grau)	
	176541	Kurbelstange L=1040 Stahl (grau)	
	176542	Kurbelstange L=1090 Stahl (grau)	
	176543	Kurbelstange L=1140 Stahl (grau)	
	176544	Kurbelstange L=1190 Stahl (grau)	
	176545	Kurbelstange L=1240 Stahl (grau)	
	176546	Kurbelstange L=1290 Stahl (grau)	
	176547	Kurbelstange L=1340 Stahl (grau)	
	176548	Kurbelstange L=1390 Stahl (grau)	
	176549	Kurbelstange L=1440 Stahl (grau)	
	176550	Kurbelstange L=1490 Stahl (grau)	
	176551	Kurbelstange L=1540 Stahl (grau)	
	176552	Kurbelstange L=1590 Stahl (grau)	
	176553	Kurbelstange L=1640 Stahl (grau)	
	176554	Kurbelstange L=1690 Stahl (grau)	
176555	Kurbelstange L=1740 Stahl (grau)		
176556	Kurbelstange L=1790 Stahl (grau)		
176558	Kurbelstange L=1840 Stahl (grau)		
176559	Kurbelstange L=1890 Stahl (grau)		
176560	Kurbelstange L=1940 Stahl (grau)		
2	172302	Gelenkkurbel-Unterteil Aluminium (weiss)	pc
	113836	Gelenkkurbel-Unterteil Aluminium (grau)	
3	176806	Gelenkkurbelhalter mit Magnet 8-27 mm (weiss)	pc
	108714	Gelenkkurbelhalter mit Magnet 8-27 mm (grau)	
4	113767	Gelenkkurbelhalter mechanisch (weiss)	pc
	109483	Gelenkkurbelhalter mechanisch (grau)	
5	177463	Gelenkkurbelhalter mechanisch 11-31 mm (weiss)	pc
	177462	Gelenkkurbelhalter mechanisch 11-31 mm (grau)	
6	173998	Entriegelungshilfe	pc
7	155155	Spiralspann-Stift 4x15 Inox	pc

* Befestigungselemente (Stifte, Sicherungsclip etc.) befinden sich auf den Seiten mit den Gelenkfürungen.

Gelenkkurbeln Crank rod

Pos	Item No.	Denomination	Quantity
1	176673	Crank rod L=490 steel (white)	pc
	176674	Crank rod L=540 steel (white)	
	176728	Crank rod L=590 steel (white)	
	176730	Crank rod L=640 steel (white)	
	176732	Crank rod L=690 steel (white)	
	176733	Crank rod L=740 steel (white)	
	176734	Crank rod L=790 steel (white)	
	176735	Crank rod L=840 steel (white)	
	176736	Crank rod L=890 steel (white)	
	176737	Crank rod L=940 steel (white)	
	176738	Crank rod L=990 steel (white)	
	176739	Crank rod L=1040 steel (white)	
	176740	Crank rod L=1090 steel (white)	
	176741	Crank rod L=1140 steel (white)	
	176744	Crank rod L=1190 steel (white)	
	176745	Crank rod L=1240 steel (white)	
	176746	Crank rod L=1290 steel (white)	
	176747	Crank rod L=1340 steel (white)	
	176748	Crank rod L=1390 steel (white)	
	176749	Crank rod L=1440 steel (white)	
	176750	Crank rod L=1490 steel (white)	
	176751	Crank rod L=1540 steel (white)	
	176752	Crank rod L=1590 steel (white)	
	176753	Crank rod L=1640 steel (white)	
	176754	Crank rod L=1690 steel (white)	
	176755	Crank rod L=1740 steel (white)	
	176756	Crank rod L=1790 steel (white)	
	176757	Crank rod L=1840 steel (white)	
	176758	Crank rod L=1890 steel (white)	
	176759	Crank rod L=1940 steel (white)	
	176573	Crank rod L=490 steel (grey)	
	176572	Crank rod L=540 steel (grey)	
	176574	Crank rod L=590 steel (grey)	
	176575	Crank rod L=640 steel (grey)	
	176576	Crank rod L=690 steel (grey)	

Gelenkkurbeln Crank rod

Pos	Item No.	Denomination	Quantity
1	176563	Crank rod L=740 steel (grey)	pc
	176564	Crank rod L=790 steel (grey)	
	176565	Crank rod L=840 steel (grey)	
	176566	Crank rod L=890 steel (grey)	
	176567	Crank rod L=940 steel (grey)	
	176568	Crank rod L=990 steel (grey)	
	176541	Crank rod L=1040 steel (grey)	
	176542	Crank rod L=1090 steel (grey)	
	176543	Crank rod L=1140 steel (grey)	
	176544	Crank rod L=1190 steel (grey)	
	176545	Crank rod L=1240 steel (grey)	
	176546	Crank rod L=1290 steel (grey)	
	176547	Crank rod L=1340 steel (grey)	
	176548	Crank rod L=1390 steel (grey)	
	176549	Crank rod L=1440 steel (grey)	
	176550	Crank rod L=1490 steel (grey)	
	176551	Crank rod L=1540 steel (grey)	
	176552	Crank rod L=1590 steel (grey)	
	176553	Crank rod L=1640 steel (grey)	
	176554	Crank rod L=1690 steel (grey)	
176555	Crank rod L=1740 steel (grey)		
176556	Crank rod L=1790 steel (grey)		
176558	Crank rod L=1840 steel (grey)		
176559	Crank rod L=1890 steel (grey)		
176560	Crank rod L=1940 steel (grey)		
2	172302	Articulated crank lower part Aluminium (white)	pc
	113836	Articulated crank lower part Aluminium (grey)	
3	176806	Magnetic crank holder 8-27 mm (white)	pc
	108714	Magnetic crank holder 8-27 mm (grey)	
4	113767	Crank holder mechanical (white)	pc
	109483	Crank holder mechanical (grey)	
5	177463	Articulated crank mechanical 11-31 mm (white)	pc
	177462	Articulated crank mechanical 11-31 mm (grey)	
6	173998	Unlocking assistance	pc
7	155155	Pin-Spiral tension 4x15 Inox	pc

* Fixing elements (pins, safety clip etc.) are located on the sides with the joint guidances.

Gelenkkurbeln Bielle de manivelle

Pos	N° Article	Désignation	Quantité
1	176673	Manivelle L=490 Acier (blanc)	pc
	176674	Manivelle L=540 Acier (blanc)	
	176728	Manivelle L=590 Acier (blanc)	
	176730	Manivelle L=640 Acier (blanc)	
	176732	Manivelle L=690 acier (blanc)	
	176733	Manivelle L=740 acier (blanc)	
	176734	Manivelle L=790 acier (blanc)	
	176735	Manivelle L=840 acier (blanc)	
	176736	Manivelle L=890 acier (blanc)	
	176737	Manivelle L=940 acier (blanc)	
	176738	Manivelle L=990 acier (blanc)	
	176739	Manivelle L=1040 acier (blanc)	
	176740	Manivelle L=1090 acier (blanc)	
	176741	Manivelle L=1140 acier (blanc)	
	176744	Manivelle L=1190 acier (blanc)	
	176745	Manivelle L=1240 acier (blanc)	
	176746	Manivelle L=1290 acier (blanc)	
	176747	Manivelle L=1340 acier (blanc)	
	176748	Manivelle L=1390 acier (blanc)	
	176749	Manivelle L=1440 acier (blanc)	
	176750	Manivelle L=1490 acier (blanc)	
	176751	Manivelle L=1540 acier (blanc)	
	176752	Manivelle L=1590 acier (blanc)	
	176753	Manivelle L=1640 acier (blanc)	
	176754	Manivelle L=1690 acier (blanc)	
	176755	Manivelle L=1740 acier (blanc)	
	176756	Manivelle L=1790 acier (blanc)	
	176757	Manivelle L=1840 acier (blanc)	
	176758	Manivelle L=1890 acier (blanc)	
	176759	Manivelle L=1940 acier (blanc)	
	176573	Manivelle L=490 acier (gris)	
	176572	Manivelle L=540 acier (gris)	
	176574	Manivelle L=590 acier (gris)	
	176575	Manivelle L=640 acier (gris)	
	176576	Manivelle L=690 acier (gris)	

Gelenkkurbeln Bielle de manivelle

Pos	N° Article	Désignation	Quantité
1	176563	Manivelle L=740 acier (gris)	pc
	176564	Manivelle L=790 acier (gris)	
	176565	Manivelle L=840 acier (gris)	
	176566	Manivelle L=890 acier (gris)	
	176567	Manivelle L=940 acier (gris)	
	176568	Manivelle L=990 acier (gris)	
	176541	Manivelle L=1040 acier (gris)	
	176542	Manivelle L=1090 acier (gris)	
	176543	Manivelle L=1140 acier (gris)	
	176544	Manivelle L=1190 acier (gris)	
	176545	Manivelle L=1240 acier (gris)	
	176546	Manivelle L=1290 acier (gris)	
	176547	Manivelle L=1340 acier (gris)	
	176548	Manivelle L=1390 acier (gris)	
	176549	Manivelle L=1440 acier (gris)	
	176550	Manivelle L=1490 acier (gris)	
	176551	Manivelle L=1540 acier (gris)	
	176552	Manivelle L=1590 acier (gris)	
	176553	Manivelle L=1640 acier (gris)	
	176554	Manivelle L=1690 acier (gris)	
176555	Manivelle L=1740 acier (gris)		
176556	Manivelle L=1790 acier (gris)		
176558	Manivelle L=1840 acier (gris)		
176559	Manivelle L=1890 acier (gris)		
176560	Manivelle L=1940 acier (gris)		
2	172302	Bras de manivelle aluminium (blanc)	pc
	113836	Bras de manivelle aluminium (gris)	
3	176806	Fixateur manivelle magnet. articulé 8-27 mm (blanc)	pc
	108714	Fixateur manivelle magnet. articulé 8-27 mm (gris)	
4	113767	Fixateur de manivelle méc. articulé (blanc)	pc
	109483	Fixateur de manivelle méc. articulé (gris)	
5	177463	Fixateur de manivelle méc. articulé 11-31 mm (blanc)	pc
	177462	Fixateur de manivelle méc. articulé 11-31 mm (gris)	
6	173998	Aide au déverrouillage	pc
7	155155	Tiges-élastiques en spirale 4x15 Inox	pc

* Les éléments de fixation (tiges, anneau clipable, etc.) se trouvent sur les côtés avec les guidages charnière.

Gelenkkurbeln Asta per manovella

Pos	No. articolo	Denominazione	Quantità
1	176673	Asta per manovella L=490 acciaio (bianco)	pc
	176674	Asta per manovella L=540 acciaio (bianco)	
	176728	Asta per manovella L=590 acciaio (bianco)	
	176730	Asta per manovella L=640 acciaio (bianco)	
	176732	Asta per manovella L=690 acciaio (bianco)	
	176733	Asta per manovella L=740 acciaio (bianco)	
	176734	Asta per manovella L=790 acciaio (bianco)	
	176735	Asta per manovella L=840 acciaio (bianco)	
	176736	Asta per manovella L=890 acciaio (bianco)	
	176737	Asta per manovella L=940 acciaio (bianco)	
	176738	Asta per manovella L=990 acciaio (bianco)	
	176739	Asta per manovella L=1040 acciaio (bianco)	
	176740	Asta per manovella L=1090 acciaio (bianco)	
	176741	Asta per manovella L=1140 acciaio (bianco)	
	176744	Asta per manovella L=1190 acciaio (bianco)	
	176745	Asta per manovella L=1240 acciaio (bianco)	
	176746	Asta per manovella L=1290 acciaio (bianco)	
	176747	Asta per manovella L=1340 acciaio (bianco)	
	176748	Asta per manovella L=1390 acciaio (bianco)	
	176749	Asta per manovella L=1440 acciaio (bianco)	
	176750	Asta per manovella L=1490 acciaio (bianco)	
	176751	Asta per manovella L=1540 acciaio (bianco)	
	176752	Asta per manovella L=1590 acciaio (bianco)	
	176753	Asta per manovella L=1640 acciaio (bianco)	
	176754	Asta per manovella L=1690 acciaio (bianco)	
	176755	Asta per manovella L=1740 acciaio (bianco)	
	176756	Asta per manovella L=1790 acciaio (bianco)	
	176757	Asta per manovella L=1840 acciaio (bianco)	
	176758	Asta per manovella L=1890 acciaio (bianco)	
	176759	Asta per manovella L=1940 acciaio (bianco)	
	176573	Asta per manovella L=490 acciaio (grigio)	
	176572	Asta per manovella L=540 acciaio (grigio)	
	176574	Asta per manovella L=590 acciaio (grigio)	
	176575	Asta per manovella L=640 acciaio (grigio)	
	176576	Asta per manovella L=690 acciaio (grigio)	

Gelenkkurbeln Asta per manovella

Pos	No. articolo	Denominazione	Quantità
1	176563	Asta per manovella L=740 acciaio (grigio)	pc
	176564	Asta per manovella L=790 acciaio (grigio)	
	176565	Asta per manovella L=840 acciaio (grigio)	
	176566	Asta per manovella L=890 acciaio (grigio)	
	176567	Asta per manovella L=940 acciaio (grigio)	
	176568	Asta per manovella L=990 acciaio (grigio)	
	176541	Asta per manovella L=1040 acciaio (grigio)	
	176542	Asta per manovella L=1090 acciaio (grigio)	
	176543	Asta per manovella L=1140 acciaio (grigio)	
	176544	Asta per manovella L=1190 acciaio (grigio)	
	176545	Asta per manovella L=1240 acciaio (grigio)	
	176546	Asta per manovella L=1290 acciaio (grigio)	
	176547	Asta per manovella L=1340 acciaio (grigio)	
	176548	Asta per manovella L=1390 acciaio (grigio)	
	176549	Asta per manovella L=1440 acciaio (grigio)	
	176550	Asta per manovella L=1490 acciaio (grigio)	
	176551	Asta per manovella L=1540 acciaio (grigio)	
	176552	Asta per manovella L=1590 acciaio (grigio)	
	176553	Asta per manovella L=1640 acciaio (grigio)	
	176554	Asta per manovella L=1690 acciaio (grigio)	
176555	Asta per manovella L=1740 acciaio (grigio)		
176556	Asta per manovella L=1790 acciaio (grigio)		
176558	Asta per manovella L=1840 acciaio (grigio)		
176559	Asta per manovella L=1890 acciaio (grigio)		
176560	Asta per manovella L=1940 acciaio (grigio)		
2	172302	Aste oscillanti parte inferio. alluminio (bianco)	pc
	113836	Aste oscillanti parte inferio. alluminio (grigio)	
3	176806	Supporto manovella magnetico 8-27 mm (bianco)	pc
	108714	Supporto manovella magnetico 8-27 mm (grigio)	
4	113767	Supporto manovella meccanico (bianco)	pc
	109483	Supporto manovella meccanico (grigio)	
5	177463	Supporto manovella meccanico 11-31 mm (bianco)	pc
	177462	Supporto manovella meccanico 11-31 mm (grigio)	
6	173998	Aiuto sblocaccio	pc
7	155155	Aste-Tensione a spirale 4x15 Inox	pc

* Gli elementi di fissaggio (perni, clip di sicurezza, ecc.) si trovano sui lati con le guide per snodo.

Gelenkkurbeln Barra de manivela

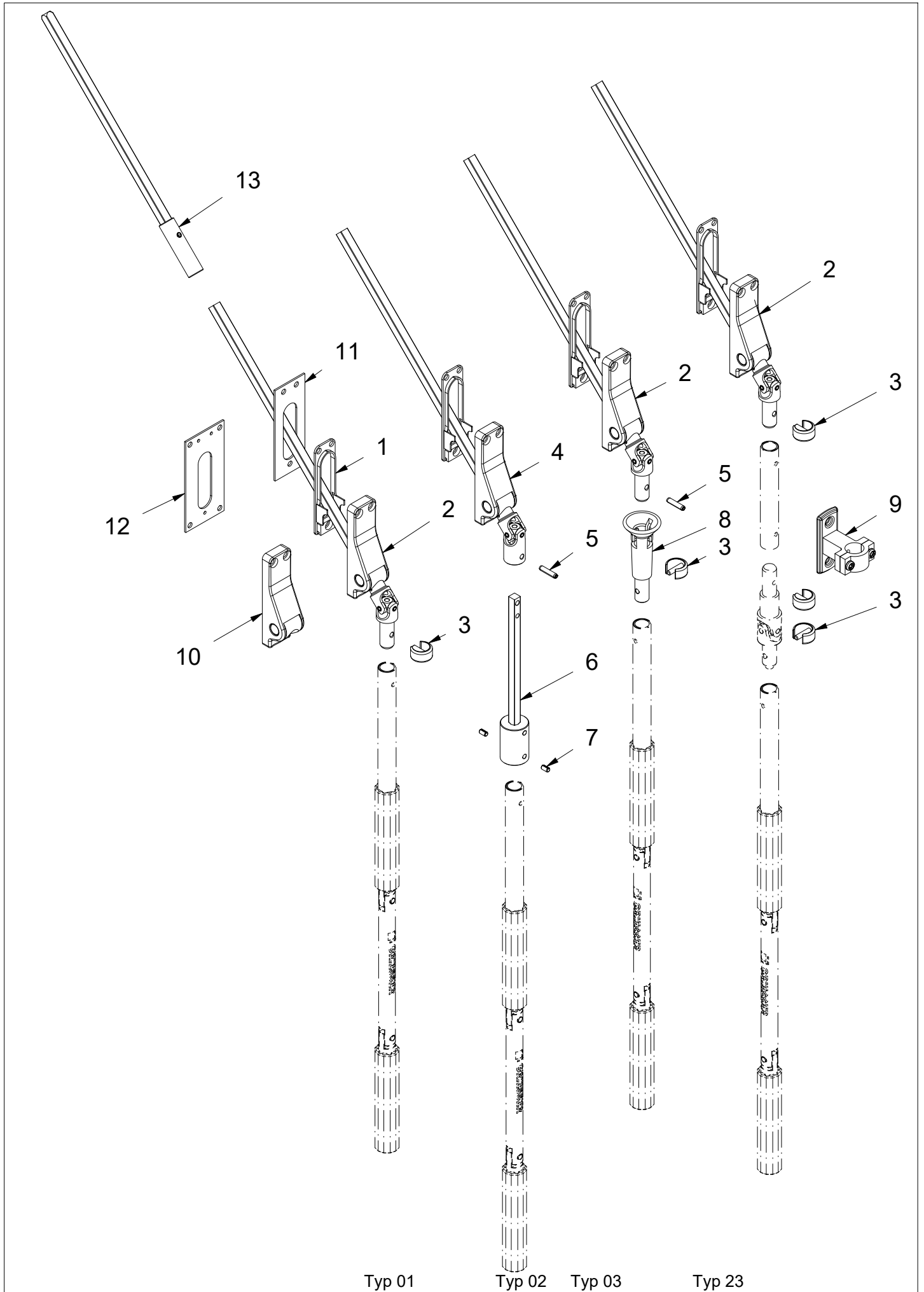
Pos	No. artículo	Designación	Cantidad
1	176673	Barra de manivela L=490 acero (blanco)	pc
	176674	Barra de manivela L=540 acero (blanco)	
	176728	Barra de manivela L=590 acero (blanco)	
	176730	Barra de manivela L=640 acero (blanco)	
	176732	Barra de manivela L=690 acero (blanco)	
	176733	Barra de manivela L=740 acero (blanco)	
	176734	Barra de manivela L=790 acero (blanco)	
	176735	Barra de manivela L=840 acero (blanco)	
	176736	Barra de manivela L=890 acero (blanco)	
	176737	Barra de manivela L=940 acero (blanco)	
	176738	Barra de manivela L=990 acero (blanco)	
	176739	Barra de manivela L=1040 acero (blanco)	
	176740	Barra de manivela L=1090 acero (blanco)	
	176741	Barra de manivela L=1140 acero (blanco)	
	176744	Barra de manivela L=1190 acero (blanco)	
	176745	Barra de manivela L=1240 acero (blanco)	
	176746	Barra de manivela L=1290 acero (blanco)	
	176747	Barra de manivela L=1340 acero (blanco)	
	176748	Barra de manivela L=1390 acero (blanco)	
	176749	Barra de manivela L=1440 acero (blanco)	
	176750	Barra de manivela L=1490 acero (blanco)	
	176751	Barra de manivela L=1540 acero (blanco)	
	176752	Barra de manivela L=1590 acero (blanco)	
	176753	Barra de manivela L=1640 acero (blanco)	
	176754	Barra de manivela L=1690 acero (blanco)	
	176755	Barra de manivela L=1740 acero (blanco)	
	176756	Barra de manivela L=1790 acero (blanco)	
	176757	Barra de manivela L=1840 acero (blanco)	
	176758	Barra de manivela L=1890 acero (blanco)	
	176759	Barra de manivela L=1940 acero (blanco)	
	176573	Barra de manivela L=490 acero (gris)	
	176572	Barra de manivela L=540 acero (gris)	
	176574	Barra de manivela L=590 acero (gris)	
	176575	Barra de manivela L=640 acero (gris)	
	176576	Barra de manivela L=690 acero (gris)	

Gelenkkurbeln Barra de manivela

Pos	No. artículo	Designación	Cantidad
1	176563	Barra de manivela L=740 acero (gris)	pc
	176564	Barra de manivela L=790 acero (gris)	
	176565	Barra de manivela L=840 acero (gris)	
	176566	Barra de manivela L=890 acero (gris)	
	176567	Barra de manivela L=940 acero (gris)	
	176568	Barra de manivela L=990 acero (gris)	
	176541	Barra de manivela L=1040 acero (gris)	
	176542	Barra de manivela L=1090 acero (gris)	
	176543	Barra de manivela L=1140 acero (gris)	
	176544	Barra de manivela L=1190 acero (gris)	
	176545	Barra de manivela L=1240 acero (gris)	
	176546	Barra de manivela L=1290 acero (gris)	
	176547	Barra de manivela L=1340 acero (gris)	
	176548	Barra de manivela L=1390 acero (gris)	
	176549	Barra de manivela L=1440 acero (gris)	
	176550	Barra de manivela L=1490 acero (gris)	
	176551	Barra de manivela L=1540 acero (gris)	
	176552	Barra de manivela L=1590 acero (gris)	
	176553	Barra de manivela L=1640 acero (gris)	
	176554	Barra de manivela L=1690 acero (gris)	
176555	Barra de manivela L=1740 acero (gris)		
176556	Barra de manivela L=1790 acero (gris)		
176558	Barra de manivela L=1840 acero (gris)		
176559	Barra de manivela L=1890 acero (gris)		
176560	Barra de manivela L=1940 acero (gris)		
2	172302	Manivela parte inferior aluminio (blanco)	pc
	113836	Manivela parte inferior aluminio (gris)	
3	176806	Soporte de manivela magnético 8-27 mm (blanco)	pc
	108714	Soporte de manivela magnético 8-27 mm (gris)	
4	113767	Soporte de manivela mecánico (blanco)	pc
	109483	Soporte de manivela mecánico (gris)	
5	177463	Soporte de manivela mecánico 11-31 mm (blanco)	pc
	177462	Soporte de manivela mecánico 11-31 mm (gris)	
6	173998	Ayuda desbloqueo	pc
7	155155	Varillas-Tensión en espiral 4x15 Inox	pc

* Los elementos de fijación (pasadores, clip de seguridad, etc.) se encuentran en los laterales con las guías de juntas.

Gelenkkurbeln Mit Gelenkführung 25x90



Gelenkkurbeln Mit Gelenkführung 25x90

Pos	Artikelnummer	Beschreibung	Menge
1	113765	Grundplatte 25x90	pc
2	171114	Durchführung Typ 01.1 L=240 (grau)	pc
	182712	Durchführung Typ 01.1 L=300 (grau)	
	182721	Durchführung Typ 01.1 L=450 (grau)	
	171115	Durchführung Typ 01.1 L=600 (grau)	
	171117	Durchführung Typ 01.3 L=240 (weiss)	
	180959	Durchführung Typ 01.3 L=300 (weiss)	
	182722	Durchführung Typ 01.3 L=450 (weiss)	
	171120	Durchführung Typ 01.3 L=600 (weiss)	
3	182754	Sicherungsclip RAL 9016	pc
	182755	Sicherungsclip RAL 7035	
4	171817	Durchführung Typ 02.1 L=240 (grau)	pc
	182713	Durchführung Typ 02.1 L=300 (grau)	
	182723	Durchführung Typ 02.1 L=450 (grau)	
	171818	Durchführung Typ 02.1 L=600 (grau)	
	171820	Durchführung Typ 02.3 L=240 (weiss)	
	182714	Durchführung Typ 02.3 L=300 (weiss)	
	182724	Durchführung Typ 02.3 L=450 (weiss)	
	171821	Durchführung Typ 02.3 L=600 (weiss)	
5	171800	Spiralspann-Stift 4x18 Inox	pc
6	171746	Ausziehstück Typ 1 100mm*	pc
	171747	Ausziehstück Typ 1 200mm*	
	171748	Ausziehstück Typ 1 300mm*	
	171749	Ausziehstück Typ 1 400mm*	
	171750	Ausziehstück Typ 1 500mm*	
7	155159	Schwerspann-Stift 4x7 Inox	pc
8	113722	Kupplungstrichter	pc
9	104293	Rohrlager	pc
10	182228	Gelenklagerplatte inkl. Lagerstücke (weiss)	pc
	182229	Gelenklagerplatte inkl. Lagerstücke (grau)	
11	113773	Abdeckplatte 35x92 RAL 7035	pc
	113775	Abdeckplatte 35x92 RAL 9010	
12	113776	Abdeckplatte 45x92 RAL 7035	pc
	113778	Abdeckplatte 45x92 RAL 9010	
13	113819	Vierkantverlängerung	pc

* Bei Ausziehbaren Lösungen muss die Mindestlänge A der gesamten Kurbel gemäss Schnellreferenz beachtet werden.

Gelenkkurbeln With joint guidance 25x90

Pos	Item No.	Denomination	Quantity
1	113765	Base plate 25x90	pc
2	171114	Through connection type 01.1 L=240 (grey)	pc
	182712	Through connection type 01.1 L=300 (grey)	
	182721	Through connection type 01.1 L=450 (grey)	
	171115	Through connection type 01.1 L=600 (grey)	
	171117	Through connection type 01.3 L=240 (white)	
	180959	Through connection type 01.3 L=240 (white)	
	182722	Through connection type 01.3 L=240 (white)	
	171120	Through connection type 01.3 L=240 (white)	
3	182754	Safety clip RAL 9016	pc
	182755	Safety clip RAL 7035	
4	171817	Through connection type 02.1 L=240 (grey)	pc
	182713	Through connection type 02.1 L=300 (grey)	
	182723	Through connection type 02.1 L=450 (grey)	
	171818	Through connection type 02.1 L=600 (grey)	
	171820	Through connection type 02.3 L=240 (white)	
	182714	Through connection type 02.3 L=240 (white)	
	182724	Through connection type 02.3 L=240 (white)	
	171821	Through connection type 02.3 L=240 (white)	
5	171800	Spiral tension Pin 4x18 Inox	pc
6	171746	Extraction piece Typ 1 100mm*	pc
	171747	Extraction piece Typ 1 200mm*	
	171748	Extraction piece Typ 1 300mm*	
	171749	Extraction piece Typ 1 400mm*	
	171750	Extraction piece Typ 1 500mm*	
7	155159	Heavy-duty spring Pin 4x7 Inox	pc
8	113722	Coupling funnel	pc
9	104293	Pipe bearing	pc
10	182228	Spherical bear. plate incl. bearing pc (white)	pc
	182229	Spherical bear. plate incl. bearing pc (grey)	
11	113773	Cover plate 35x92 RAL 7035	pc
	113775	Cover plate 35x92 RAL 9010	
12	113776	Cover plate 45x92 RAL 7035	pc
	113778	Cover plate 45x92 RAL 9010	
13	113819	Square extension	pc

* For extendable solutions, the minimum length A of the entire crank according to the quick reference must be observed.

Gelenkkurbeln Avec guidage charnière 25x90

Pos	N° Article	Désignation	Quantité
1	113765	Plaque d'embase 25x90	pc
2	171114	Passage type 01.1 L=240 (gris)	pc
	182712	Passage type 01.1 L=300 (gris)	
	182721	Passage type 01.1 L=450 (gris)	
	171115	Passage type 01.1 L=600 (gris)	
	171117	Passage type 01.3 L=240 (blanc)	
	180959	Passage type 01.3 L=300 (blanc)	
	182722	Passage type 01.3 L=450 (blanc)	
	171120	Passage type 01.3 L=600 (blanc)	
3	182754	Anneau clipable RAL 9016	pc
	182755	Anneau clipable RAL 7035	
4	171817	Passage type 02.1 L=240 (gris)	pc
	182713	Passage type 02.1 L=300 (gris)	
	182723	Passage type 02.1 L=450 (gris)	
	171818	Passage type 02.1 L=600 (gris)	
	171820	Passage type 02.3 L=240 (blanc)	
	182714	Passage type 02.3 L=300 (blanc)	
	182724	Passage type 02.3 L=450 (blanc)	
	171821	Passage type 02.3 L=600 (blanc)	
5	171800	Tiges élastiques en spirale 4x18 Inox	pc
6	171746	Pièce télescopique Typ 1 100mm*	pc
	171747	Pièce télescopique Typ 1 200mm*	
	171748	Pièce télescopique Typ 1 300mm*	
	171749	Pièce télescopique Typ 1 400mm*	
	171750	Pièce télescopique Typ 1 500mm*	
7	155159	Tiges élastiques lourdes 4x7 Inox	pc
8	113722	Tulipe entonnoir	pc
9	104293	Support palier pour tube manivelle	pc
10	182228	Plaque d'appui rotule compr. pièce palier (blanc)	pc
	182229	Plaque d'appui rotule compr. pièce palier (gris)	
11	113773	Plaque de recouvrement 35x92 RAL 7035	pc
	113775	Plaque de recouvrement 35x92 RAL 9010	
12	113776	Plaque de recouvrement 45x92 RAL 7035	pc
	113778	Plaque de recouvrement 45x92 RAL 9010	
13	113819	Rallonge carrée	pc

* Pour les solutions extensibles, la longueur minimale A de l'ensemble de la manivelle doit être respectée selon la référence rapide.

Gelenkkurbeln Con guida per snodo 25x90

Pos	No. articolo	Denominazione	Quantità
1	113765	Piastra di base 25x90	pc
2	171114	Snodo per manovella tipo 01.1 L=240 (grigio)	pc
	182712	Snodo per manovella tipo 01.1 L=300 (grigio)	
	182721	Snodo per manovella tipo 01.1 L=450 (grigio)	
	171115	Snodo per manovella tipo 01.1 L=600 (grigio)	
	171117	Snodo per manovella tipo 01.3 L=240 (bianco)	
	180959	Snodo per manovella tipo 01.3 L=300 (bianco)	
	182722	Snodo per manovella tipo 01.3 L=450 (bianco)	
	171120	Snodo per manovella tipo 01.3 L=600 (bianco)	
3	182754	Clip di sicurezza RAL 9016	pc
	182755	Clip di sicurezza RAL 7035	
4	171817	Snodo per manovella tipo 02.1 L=240 (grigio)	pc
	182713	Snodo per manovella tipo 02.1 L=300 (grigio)	
	182723	Snodo per manovella tipo 02.1 L=450 (grigio)	
	171818	Snodo per manovella tipo 02.1 L=600 (grigio)	
	171820	Snodo per manovella tipo 02.3 L=240 (bianco)	
	182714	Snodo per manovella tipo 02.3 L=300 (bianco)	
	182724	Snodo per manovella tipo 02.3 L=450 (bianco)	
	171821	Snodo per manovella tipo 02.3 L=600 (bianco)	
5	171800	Perno tensione a spirale 4x18 Inox	pc
6	171746	Pezzo estraibile Typ 1 100mm*	pc
	171747	Pezzo estraibile Typ 1 200mm*	
	171748	Pezzo estraibile Typ 1 300mm*	
	171749	Pezzo estraibile Typ 1 400mm*	
	171750	Pezzo estraibile Typ 1 500mm*	
7	155159	Perno elastiche pesanti 4x7 Inox	pc
8	113722	Imbuto per giunto	pc
9	104293	Cuscinetto per Tubo	pc
10	182228	Piastra di supporto sferica incl. cuscinetto pc. (bianco)	pc
	182229	Piastra di supporto sferica incl. cuscinetto pc. (grigio)	
11	113773	Piastra di copertura 35x92 RAL 7035	pc
	113775	Piastra di copertura 35x92 RAL 9010	
12	113776	Piastra di copertura 45x92 RAL 7035	pc
	113778	Piastra di copertura 45x92 RAL 9010	
13	113819	Estensione quadrata	pc

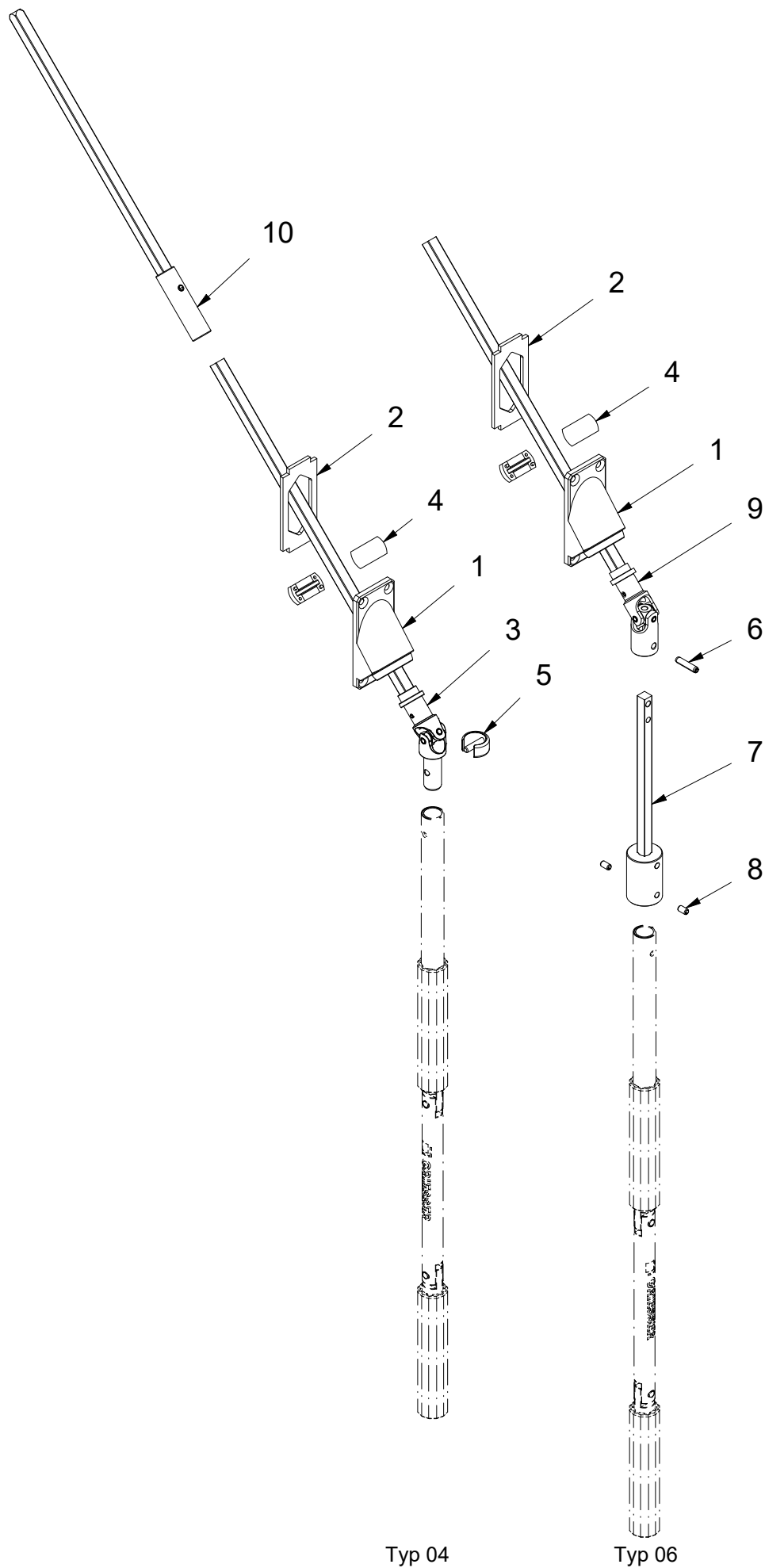
* Per le soluzioni allungabili, si deve rispettare la lunghezza minima A dell'intera manovella secondo il riferimento rapido.

Gelenkkurbeln Con guía para juntas 25x90

Pos	No. artículo	Designación	Cantidad
1	113765	Placa de base 25x90	pc
2	171114	Pasante de exterior tipo 01.1 L=240 (gris)	pc
	182712	Pasante de exterior tipo 01.1 L=300 (gris)	
	182721	Pasante de exterior tipo 01.1 L=450 (gris)	
	171115	Pasante de exterior tipo 01.1 L=600 (gris)	
	171117	Pasante de exterior tipo 01.3 L=240 (blanco)	
	180959	Pasante de exterior tipo 01.3 L=300 (blanco)	
	182722	Pasante de exterior tipo 01.3 L=450 (blanco)	
	171120	Pasante de exterior tipo 01.3 L=600 (blanco)	
3	182754	Clip de seguridad RAL 9016	pc
	182755	Clip de seguridad RAL 7035	
4	171817	Pasante de exterior tipo 02.1 L=240 (gris)	pc
	182713	Pasante de exterior tipo 02.1 L=300 (gris)	
	182723	Pasante de exterior tipo 02.1 L=450 (gris)	
	171818	Pasante de exterior tipo 02.1 L=600 (gris)	
	171820	Pasante de exterior tipo 02.3 L=240 (blanco)	
	182714	Pasante de exterior tipo 02.3 L=300 (blanco)	
	182724	Pasante de exterior tipo 02.3 L=450 (blanco)	
	171821	Pasante de exterior tipo 02.3 L=600 (blanco)	
5	171800	Varillas tensión en espiral 4x18 Inox	pc
6	171746	Pieza extraíble Typ 1 100mm*	pc
	171747	Pieza extraíble Typ 1 200mm*	
	171748	Pieza extraíble Typ 1 300mm*	
	171749	Pieza extraíble Typ 1 400mm*	
	171750	Pieza extraíble Typ 1 500mm*	
7	155159	Varillas elásticos pesados 4x7 Inox	pc
8	113722	Embudo para juntas	pc
9	104293	Cojinete de tubo	pc
10	182228	Placa de cojinete esférica incl. pieza de rodamiento (blanco)	pc
	182229	Placa de cojinete esférica incl. pieza de rodamiento (gris)	
11	113773	Placa de cobertura 35x92 RAL 7035	pc
	113775	Placa de cobertura 35x92 RAL 9010	
12	113776	Placa de cobertura 45x92 RAL 7035	pc
	113778	Placa de cobertura 45x92 RAL 9010	
13	113819	Extensión cuadrada	pc

* Para las soluciones extensibles, debe respetarse la longitud mínima A de la manivela completa según la referencia rápida.

Gelenkkurbeln Mit Gelenkführung KSB 35x75



Typ 04

Typ 06

Gelenkkurbeln Mit Gelenkführung KSB 35x75

Pos	Artikelnummer	Beschreibung	Menge
1	112660	Gelenklagerplatte Typ B (weiss)	pc
	107376	Gelenklagerplatte Typ B (grau)	
2	107381	Halteplatte B	pc
3	175282	Durchführung Typ 04/05 L=240	pc
	182717	Durchführung Typ 04/05 L=300	
	182727	Durchführung Typ 04/05 L=450	
	175283	Durchführung Typ 04/05 L=600	
4	175130	Gelenkkugelhälfte (weiss)	2
	175129	Gelenkkugelhälfte (grau)	
5	182754	Sicherungsclip RAL 9016	pc
	182755	Sicherungsclip RAL 7035	
6	171800	Spiralspann-Stift 4x18 Inox	pc
7	171746	Ausziehstück Typ 1 100mm*	pc
	171747	Ausziehstück Typ 1 200mm*	
	171748	Ausziehstück Typ 1 300mm*	
	171749	Ausziehstück Typ 1 400mm*	
	171750	Ausziehstück Typ 1 500mm*	
8	155159	Schwerspann-Stift 4x7 Inox	2
9	171823	Durchführung Typ 06/07 L=240	pc
	182718	Durchführung Typ 06/07 L=300	
	182728	Durchführung Typ 06/07 L=450	
	171824	Durchführung Typ 06/07 L=600	
10	113819	Vierkantverlängerung	pc

* Bei Ausziehbaren Lösungen muss die Mindestlänge A der gesamten Kurbel gemäss Schnellreferenz beachtet werden.

Gelenkkurbeln With joint guidance KSB 35x75

Pos	Item No.	Denomination	Quantity
1	112660	Spherical bearing plate Typ B (white)	pc
	107376	Spherical bearing plate Typ B (grey)	
2	107381	Supporting plate B	pc
3	175282	Through connection type 04/05 L=240	pc
	182717	Through connection type 04/05 L=300	
	182727	Through connection type 04/05 L=450	
	175283	Through connection type 04/05 L=600	
4	175130	Half sphere joint (white)	2
	175129	Half sphere joint (grey)	
5	182754	Safety clip RAL 9016	pc
	182755	Safety clip RAL 7035	
6	171800	Spiral tension Pin 4x18 Inox	pc
7	171746	Extraction piece Typ 1 100mm*	pc
	171747	Extraction piece Typ 1 200mm*	
	171748	Extraction piece Typ 1 300mm*	
	171749	Extraction piece Typ 1 400mm*	
	171750	Extraction piece Typ 1 500mm*	
8	155159	Heavy-duty spring Pin 4x7 Inox	2
9	171823	Through connection type 06/07 L=240	pc
	182718	Through connection type 06/07 L=300	
	182728	Through connection type 06/07 L=450	
	171824	Through connection type 06/07 L=600	
10	113819	Square extension	pc

* For extendable solutions, the minimum length A of the entire crank according to the quick reference must be observed.

Gelenkkurbeln Avec guidage charnière KSB 35x75

Pos	N° Article	Désignation	Quantité
1	112660	Plaque d'appui Typ B (blanc)	pc
	107376	Plaque d'appui Typ B (gris)	
2	107381	Plaque de maintien B	pc
3	175282	Passage type 04/05 L=240	pc
	182717	Passage type 04/05 L=300	
	182727	Passage type 04/05 L=450	
	175283	Passage type 04/05 L=600	
4	175130	Demi-boule rotule (blanc)	2
	175129	Demi-boule rotule (gris)	
5	182754	Anneau clipable RAL 9016	pc
	182755	Anneau clipable RAL 7035	
6	171800	Tiges élastiques en spirale 4x18 Inox	pc
7	171746	Pièce télescopique Typ 1 100mm*	pc
	171747	Pièce télescopique Typ 1 200mm*	
	171748	Pièce télescopique Typ 1 300mm*	
	171749	Pièce télescopique Typ 1 400mm*	
	171750	Pièce télescopique Typ 1 500mm*	
8	155159	Tiges élastiques lourdes 4x7 Inox	2
9	171823	Passage type 06/07 L=240	pc
	182718	Passage type 06/07 L=300	
	182728	Passage type 06/07 L=450	
	171824	Passage type 06/07 L=600	
10	113819	Rallonge carrée	pc

* Pour les solutions extensibles, la longueur minimale A de l'ensemble de la manivelle doit être respectée selon la référence rapide.

Gelenkkurbeln Con guida per snodo KSB 35x75

Pos	No. articolo	Denominazione	Quantità
1	112660	Piastra di supporto sferica Typ B (bianco)	pc
	107376	Piastra di supporto sferica Typ B (grigio)	
2	107381	Piastra di supporto B	pc
3	175282	Snodo per manovella tipo 04/05 L=240	pc
	182717	Snodo per manovella tipo 04/05 L=300	
	182727	Snodo per manovella tipo 04/05 L=450	
	175283	Snodo per manovella tipo 04/05 L=600	
4	175130	Semisfera snodo (bianco)	2
	175129	Semisfera snodo (grigio)	
5	182754	Clip di sicurezza RAL 9016	pc
	182755	Clip di sicurezza RAL 7035	
6	171800	Perno tensione a spirale 4x18 Inox	pc
7	171746	Pezzo estraibile Typ 1 100mm*	pc
	171747	Pezzo estraibile Typ 1 200mm*	
	171748	Pezzo estraibile Typ 1 300mm*	
	171749	Pezzo estraibile Typ 1 400mm*	
	171750	Pezzo estraibile Typ 1 500mm*	
8	155159	Perno elastiche pesanti 4x7 Inox	2
9	171823	Snodo per manovella tipo 06/07 L=240	pc
	182718	Snodo per manovella tipo 06/07 L=300	
	182728	Snodo per manovella tipo 06/07 L=450	
	171824	Snodo per manovella tipo 06/07 L=600	
10	113819	Estensione quadrata	pc

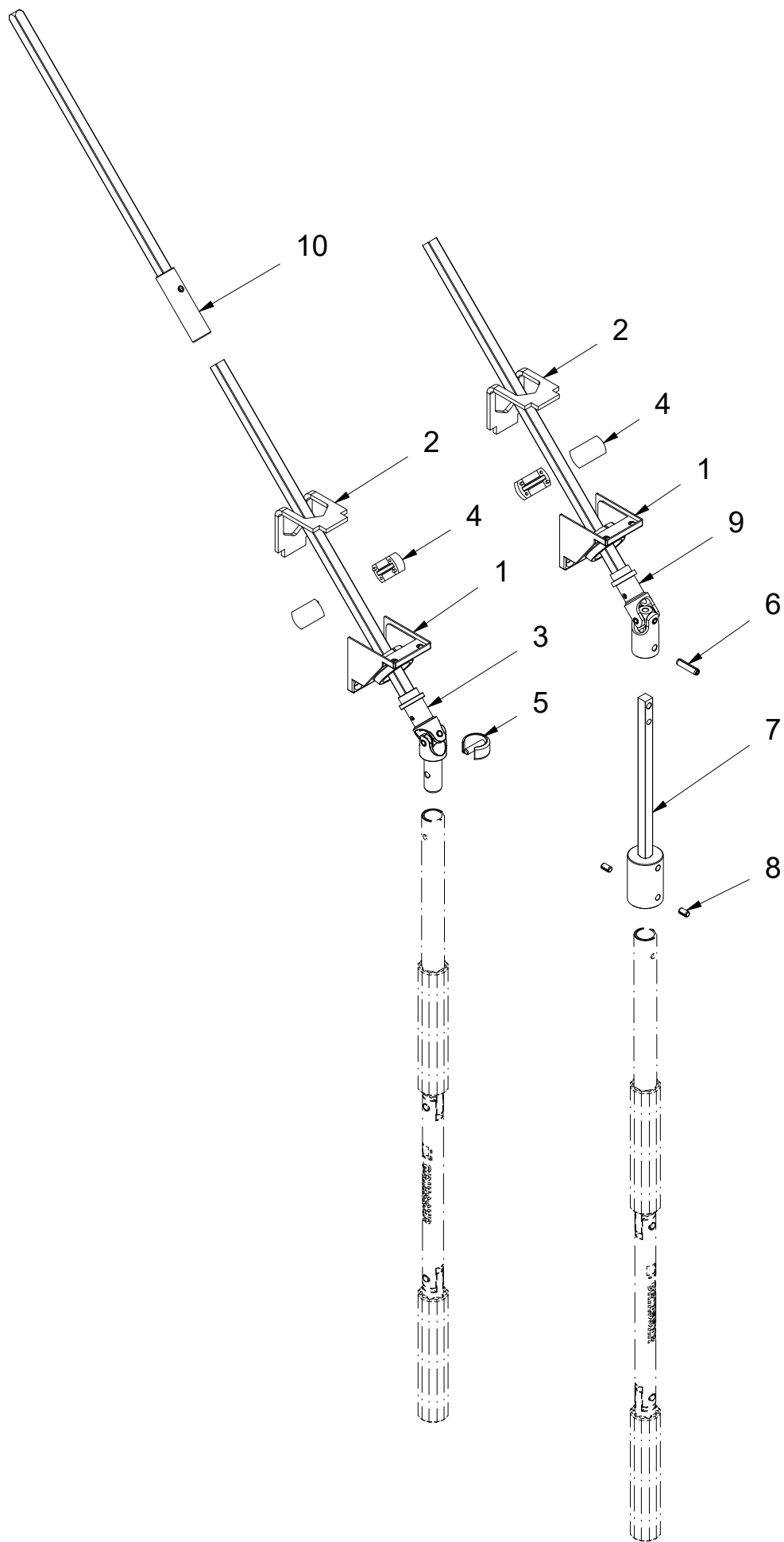
* Per le soluzioni allungabili, si deve rispettare la lunghezza minima A dell'intera manovella secondo il riferimento rapido.

Gelenkkurbeln Con guía para juntas KSB 35x75

Pos	No. artículo	Designación	Cantidad
1	112660	Placa de cojinete esférica Typ B (blanco)	pc
	107376	Placa de cojinete esférica Typ B (gris)	
2	107381	Placa de soporte B	pc
3	175282	Pasante de exterior tipo 04/05 L=240	pc
	182717	Pasante de exterior tipo 04/05 L=300	
	182727	Pasante de exterior tipo 04/05 L=450	
	175283	Pasante de exterior tipo 04/05 L=600	
4	175130	Junta esférica (blanco)	2
	175129	Junta esférica (gris)	
5	182754	Clip de seguridad RAL 9016	pc
	182755	Clip de seguridad RAL 7035	
6	171800	Varillas tensión en espiral 4x18 Inox	pc
7	171746	Pieza extraíble Typ 1 100mm*	pc
	171747	Pieza extraíble Typ 1 200mm*	
	171748	Pieza extraíble Typ 1 300mm*	
	171749	Pieza extraíble Typ 1 400mm*	
	171750	Pieza extraíble Typ 1 500mm*	
8	155159	Varillas elásticos pesados 4x7 Inox	2
9	171823	Pasante de exterior tipo 06/07 L=240	pc
	182718	Pasante de exterior tipo 06/07 L=300	
	182728	Pasante de exterior tipo 06/07 L=450	
	171824	Pasante de exterior tipo 06/07 L=600	
10	113819	Extensión cuadrada	pc

* Para las soluciones extensibles, debe respetarse la longitud mínima A de la manivela completa según la referencia rápida.

Gelenkkurbeln Mit Gelenkführung KSC 35x44/44



Typ 05

Typ 07

Gelenkkurbeln Mit Gelenkführung KSC 35x44/44

Pos	Artikelnummer	Beschreibung	Menge
1	112659	Gelenklagerplatte Typ C (weiss)	pc
	107346	Gelenklagerplatte Typ C (grau)	
2	107306	Halteplatte C	pc
3	175282	Durchführung Typ 04/05 L=240	pc
	182717	Durchführung Typ 04/05 L=300	
	182727	Durchführung Typ 04/05 L=450	
	175283	Durchführung Typ 04/05 L=600	
4	175130	Gelenkkugelhälfte (weiss)	2
	175129	Gelenkkugelhälfte (grau)	
5	182754	Sicherungsclip RAL 9016	pc
	182755	Sicherungsclip RAL 7035	
6	171800	Spiralspann-Stift 4x18 Inox	pc
7	171746	Ausziehstück Typ 1 100mm*	pc
	171747	Ausziehstück Typ 1 200mm*	
	171748	Ausziehstück Typ 1 300mm*	
	171749	Ausziehstück Typ 1 400mm*	
	171750	Ausziehstück Typ 1 500mm*	
8	155159	Schwerspann-Stift 4x7 Inox	2
9	171823	Durchführung Typ 06/07 L=240	pc
	182718	Durchführung Typ 06/07 L=300	
	182728	Durchführung Typ 06/07 L=450	
	171824	Durchführung Typ 06/07 L=600	
10	113819	Vierkantverlängerung	pc

* Bei Ausziehbaren Lösungen muss die Mindestlänge A der gesamten Kurbel gemäss Schnellreferenz beachtet werden.

Gelenkkurbeln With joint guidance KSC 35x44/44

Pos	Item No.	Denomination	Quantity
1	112659	Spherical bearing plate Typ C (white)	pc
	107346	Spherical bearing plate Typ C (grey)	
2	107306	Supporting plate C	pc
3	175282	Through connection type 04/05 L=240	pc
	182717	Through connection type 04/05 L=300	
	182727	Through connection type 04/05 L=450	
	175283	Through connection type 04/05 L=600	
4	175130	Half sphere joint (white)	2
	175129	Half sphere joint (grey)	
5	182754	Safety clip RAL 9016	pc
	182755	Safety clip RAL 7035	
6	171800	Spiral tension Pin 4x18 Inox	pc
7	171746	Extraction piece Typ 1 100mm*	pc
	171747	Extraction piece Typ 1 200mm*	
	171748	Extraction piece Typ 1 300mm*	
	171749	Extraction piece Typ 1 400mm*	
	171750	Extraction piece Typ 1 500mm*	
8	155159	Heavy-duty spring Pin 4x7 Inox	2
9	171823	Through connection type 06/07 L=240	pc
	182718	Through connection type 06/07 L=300	
	182728	Through connection type 06/07 L=450	
	171824	Through connection type 06/07 L=600	
10	113819	Square extension	pc

* For extendable solutions, the minimum length A of the entire crank according to the quick reference must be observed.

Gelenkkurbeln Avec guidage charnière KSC 35x44/44

Pos	N° Article	Désignation	Quantité
1	112659	Plaque d'appui Typ C (blanc)	pc
	107346	Plaque d'appui Typ C (gris)	
2	107306	Plaque de maintien C	pc
3	175282	Passage type 04/05 L=240	pc
	182717	Passage type 04/05 L=300	
	182727	Passage type 04/05 L=450	
	175283	Passage type 04/05 L=600	
4	175130	Demi-boule rotule (blanc)	2
	175129	Demi-boule rotule (gris)	
5	182754	Anneau clipable RAL 9016	pc
	182755	Anneau clipable RAL 7035	
6	171800	Tiges élastiques en spirale 4x18 Inox	pc
7	171746	Pièce télescopique Typ 1 100mm*	pc
	171747	Pièce télescopique Typ 1 200mm*	
	171748	Pièce télescopique Typ 1 300mm*	
	171749	Pièce télescopique Typ 1 400mm*	
	171750	Pièce télescopique Typ 1 500mm*	
8	155159	Tiges élastiques lourdes 4x7 Inox	2
9	171823	Passage type 06/07 L=240	pc
	182718	Passage type 06/07 L=300	
	182728	Passage type 06/07 L=450	
	171824	Passage type 06/07 L=600	
10	113819	Rallonge carrée	pc

* Pour les solutions extensibles, la longueur minimale A de l'ensemble de la manivelle doit être respectée selon la référence rapide.

Gelenkkurbeln Con guida per snodo KSC 35x44/44

Pos	No. articolo	Denominazione	Quantità
1	112659	Piastra di supporto sferica Typ C (bianco)	pc
	107346	Piastra di supporto sferica Typ C (grigio)	
2	107306	Piastra di supporto C	pc
3	175282	Snodo per manovella tipo 04/05 L=240	pc
	182717	Snodo per manovella tipo 04/05 L=300	
	182727	Snodo per manovella tipo 04/05 L=450	
	175283	Snodo per manovella tipo 04/05 L=600	
4	175130	Semisfera snodo (bianco)	2
	175129	Semisfera snodo (grigio)	
5	182754	Clip di sicurezza RAL 9016	pc
	182755	Clip di sicurezza RAL 7035	
6	171800	Perno tensione a spirale 4x18 Inox	pc
7	171746	Pezzo estraibile Typ 1 100mm*	pc
	171747	Pezzo estraibile Typ 1 200mm*	
	171748	Pezzo estraibile Typ 1 300mm*	
	171749	Pezzo estraibile Typ 1 400mm*	
	171750	Pezzo estraibile Typ 1 500mm*	
8	155159	Perno elastiche pesanti 4x7 Inox	2
9	171823	Snodo per manovella tipo 06/07 L=240	pc
	182718	Snodo per manovella tipo 06/07 L=300	
	182728	Snodo per manovella tipo 06/07 L=450	
	171824	Snodo per manovella tipo 06/07 L=600	
10	113819	Estensione quadrata	pc

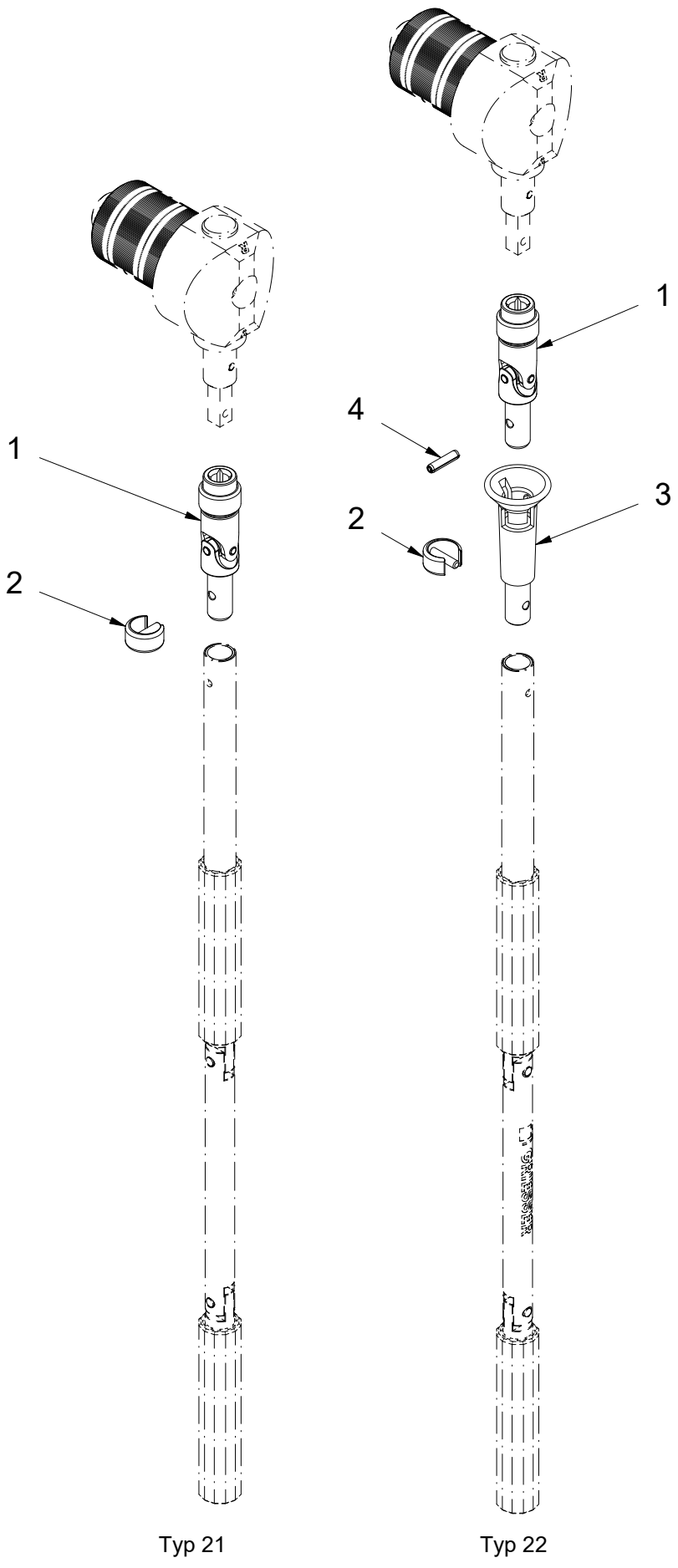
* Per le soluzioni allungabili, si deve rispettare la lunghezza minima A dell'intera manovella secondo il riferimento rapido.

Gelenkkurbeln Con guía para juntas KSC 35x44/44

Pos	No. artículo	Designación	Cantidad
1	112659	Placa de cojinete esférica Typ C (blanco)	pc
	107346	Placa de cojinete esférica Typ C (gris)	
2	107306	Placa de soporte C	pc
3	175282	Pasante de exterior tipo 04/05 L=240	pc
	182717	Pasante de exterior tipo 04/05 L=300	
	182727	Pasante de exterior tipo 04/05 L=450	
	175283	Pasante de exterior tipo 04/05 L=600	
4	175130	Junta esférica (blanco)	2
	175129	Junta esférica (gris)	
5	182754	Clip de seguridad RAL 9016	pc
	182755	Clip de seguridad RAL 7035	
6	171800	Varillas tensión en espiral 4x18 Inox	pc
7	171746	Pieza extraíble Typ 1 100mm*	pc
	171747	Pieza extraíble Typ 1 200mm*	
	171748	Pieza extraíble Typ 1 300mm*	
	171749	Pieza extraíble Typ 1 400mm*	
	171750	Pieza extraíble Typ 1 500mm*	
8	155159	Varillas elásticos pesados 4x7 Inox	2
9	171823	Pasante de exterior tipo 06/07 L=240	pc
	182718	Pasante de exterior tipo 06/07 L=300	
	182728	Pasante de exterior tipo 06/07 L=450	
	171824	Pasante de exterior tipo 06/07 L=600	
10	113819	Extensión cuadrada	pc

* Para las soluciones extensibles, debe respetarse la longitud mínima A de la manivela completa según la referencia rápida.

Gelenkkurbeln Direkt am Getriebe



Gelenkkurbeln Direkt am Getriebe

Pos	Artikelnummer	Beschreibung	Menge
1	171827	Gelenk zu Typ 21.1	pc
2	182754	Sicherungsclip RAL 9016	pc
	182755	Sicherungsclip RAL 7035	
3	113722	Kupplungstrichter	pc
4	171800	Spiralspann-Stift 4x18 Inox	pc

Gelenkkurbeln Directly on the gearbox

Pos	Item No.	Denomination	Quantity
1	171827	Joint to type 21.1	pc
2	182754	Safety clip RAL 9016	pc
	182755	Safety clip RAL 7035	
3	113722	Coupling funnel	pc
4	171800	Spiral tension Pin 4x18 Inox	pc

Gelenkkurbeln

Directement sur treuil

Pos	N° Article	Désignation	Quantité
1	171827	Sortie directe dessous caisson type 21.1	pc
2	182754	Anneau clipable RAL 9016	pc
	182755	Anneau clipable RAL 7035	
3	113722	Tulipe entonnoir	pc
4	171800	Tiges élastiques en spirale 4x18 Inox	pc

Gelenkkurbeln

Direttamente sul arganello

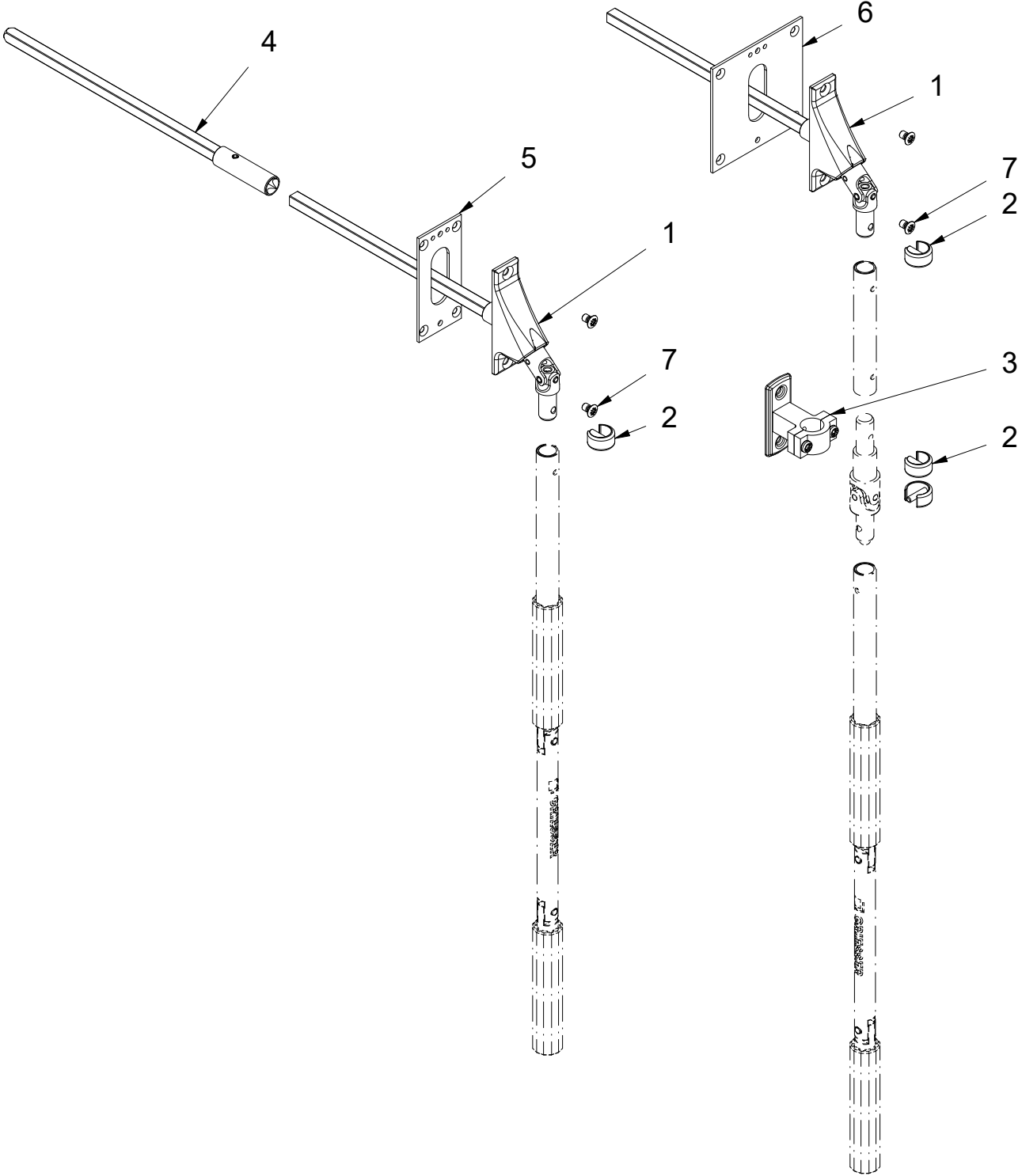
Pos	No. articolo	Denominazione	Quantità
1	171827	Giunto per tipo 21.1	pc
2	182754	Clip di sicurezza RAL 9016	pc
	182755	Clip di sicurezza RAL 7035	
3	113722	Imbuto per giunto	pc
4	171800	Perno tensione a spirale 4x18 Inox	pc

Gelenkkurbeln Directamente en mecanismo

Pos	No. artículo	Designación	Cantidad
1	171827	Junta para tipo 21.1	pc
2	182754	Clip de seguridad RAL 9016	pc
	182755	Clip de seguridad RAL 7035	
3	113722	Embudo para juntas	pc
4	171800	Varillas tensión en espiral 4x18 Inox	pc

Gelenkkurbeln

Mit Gelenkführung 22x85



Typ 37

Typ 67

Gelenkkurbeln Mit Gelenkführung 22x85

Pos	Artikelnummer	Beschreibung	Menge
1	171837	Durchführung Typ 37 L=240	pc
	182715	Durchführung Typ 37 L=300	
	182725	Durchführung Typ 37 L=450	
	171838	Durchführung Typ 37 L=600	
2	182754	Sicherungsclip RAL 9016	pc
	182755	Sicherungsclip RAL 7035	
3	104293	Rohrlager	pc
4	113819	Vierkantverlängerung	pc
5	182761	Unterlagsplatte 40x85	pc
6	182762	Unterlagsplatte 85x85	pc
7	182763	Linsensenk-Schraube Kreuz M5x8 Inox	2

Gelenkkurbeln With joint guidance 22x85

Pos	Item No.	Denomination	Quantity
1	171837	Through connection type 37 L=240	pc
	182715	Through connection type 37 L=300	
	182725	Through connection type 37 L=450	
	171838	Through connection type 37 L=600	
2	182754	Safety clip RAL 9016	pc
	182755	Safety clip RAL 7035	
3	104293	Pipe bearing	pc
4	113819	Square extension	pc
5	182761	Support plate 40x85	pc
6	182762	Support plate 85x85	pc
7	182763	Slotted oval countersunk head Screw cross recess M5x8 Inox	2

Gelenkkurbeln

Avec guidage charnière 22x85

Pos	N° Article	Désignation	Quantité
1	171837	Passage type 37 L=240	pc
	182715	Passage type 37 L=300	
	182725	Passage type 37 L=450	
	171838	Passage type 37 L=600	
2	182754	Anneau clipable RAL 9016	pc
	182755	Anneau clipable RAL 7035	
3	104293	Support palier pour tube manivelle	pc
4	113819	Rallonge carrée	pc
5	182761	Plaque d'appui 40x85	pc
6	182762	Plaque d'appui 85x85	pc
7	182763	Vis à tête fraisée bombée cruciforme M5x8 Inox	2

Gelenkkurbeln

Con guida per snodo 22x85

Pos	No. articolo	Denominazione	Quantità
1	171837	Snodo per manovella tipo 37 L=240	pc
	182715	Snodo per manovella tipo 37 L=300	
	182725	Snodo per manovella tipo 37 L=450	
	171838	Snodo per manovella tipo 37 L=600	
2	182754	Clip di sicurezza RAL 9016	pc
	182755	Clip di sicurezza RAL 7035	
3	104293	Cuscinetto per Tubo	pc
4	113819	Estensione quadrata	pc
5	182761	Piastra di supporto 40x85	pc
6	182762	Piastra di supporto 85x85	pc
7	182763	Vite a testa svasata con calotta impr a cro M5x8 Inox	2

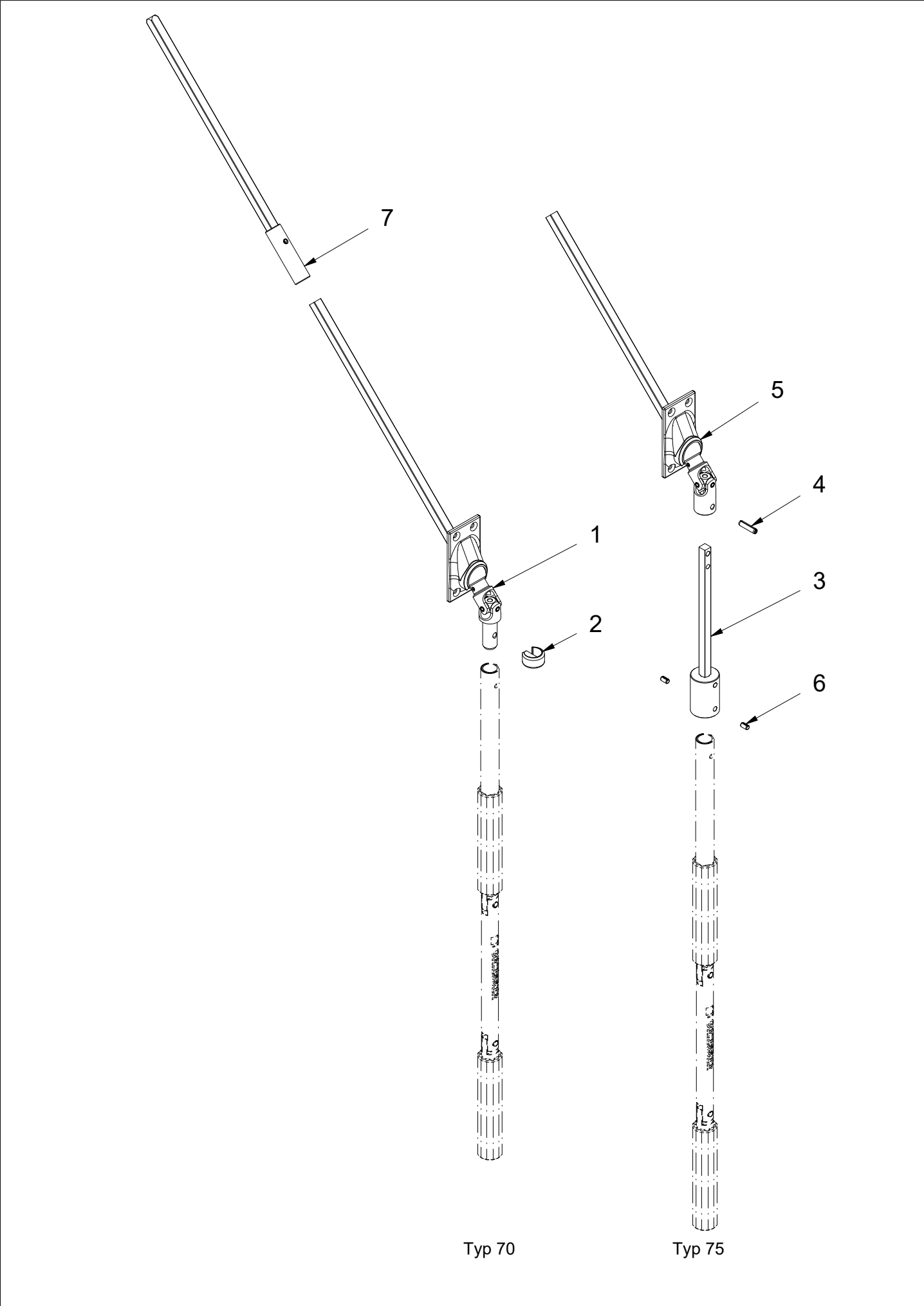
Gelenkkurbeln

Con guía para juntas 22x85

Pos	No. artículo	Designación	Cantidad
1	171837	Pasante de exterior tipo 37 L=240	pc
	182715	Pasante de exterior tipo 37 L=300	
	182725	Pasante de exterior tipo 37 L=450	
	171838	Pasante de exterior tipo 37 L=600	
2	182754	Clip de seguridad RAL 9016	pc
	182755	Clip de seguridad RAL 7035	
3	104293	Cojinete de tubo	pc
4	113819	Extensión cuadrada	pc
5	182761	Placa de soporte 40x85	pc
6	182762	Placa de soporte 85x85	pc
7	182763	Tornillo cabeza avellanada con tapa estrella M5x8 Inox	2

Gelenkkurbeln

Mit Gelenkführung 36x70



Typ 70

Typ 75

Gelenkkurbeln Mit Gelenkführung 36x70

Pos	Artikelnummer	Beschreibung	Menge
1	171134	Durchführung Typ 70.3 L=240	pc
	182719	Durchführung Typ 70.3 L=300	
	182729	Durchführung Typ 70.3 L=450	
	171135	Durchführung Typ 70.3 L=600	
2	182754	Sicherungsclip RAL 9016	pc
	182755	Sicherungsclip RAL 7035	
3	171746	Ausziehstück Typ 1 100mm*	pc
	171747	Ausziehstück Typ 1 200mm*	
	171748	Ausziehstück Typ 1 300mm*	
	171749	Ausziehstück Typ 1 400mm*	
	171750	Ausziehstück Typ 1 500mm*	
4	171800	Spiralspann-Stift 4x18 Inox	pc
5	171841	Durchführung Typ 75.1/3 L=240	pc
	182720	Durchführung Typ 75.1/3 L=300	
	182730	Durchführung Typ 75.1/3 L=450	
	171842	Durchführung Typ 75.1/3 L=600	
6	155159	Schwerspann-Stift 4x7 Inox	2
7	113819	Vierkantverlängerung	pc

* Bei Ausziehbaren Lösungen muss die Mindestlänge A der gesamten Kurbel gemäss Schnellreferenz beachtet werden.

Gelenkkurbeln Mit Gelenkführung 36x70

Pos	Item No.	Denomination	Quantity
1	171134	Through connection type 70.3 L=240	pc
	182719	Through connection type 70.3 L=300	
	182729	Through connection type 70.3 L=450	
	171135	Through connection type 70.3 L=600	
2	182754	Safety clip RAL 9016	pc
	182755	Safety clip RAL 7035	
3	171746	Extraction piece Typ 1 100mm*	pc
	171747	Extraction piece Typ 1 200mm*	
	171748	Extraction piece Typ 1 300mm*	
	171749	Extraction piece Typ 1 400mm*	
	171750	Extraction piece Typ 1 500mm*	
4	171800	Spiral tension Pin 4x18 Inox	pc
5	171841	Through connection type 75.1/3 L=240	pc
	182720	Through connection type 75.1/3 L=300	
	182730	Through connection type 75.1/3 L=450	
	171842	Through connection type 75.1/3 L=600	
6	155159	Heavy-duty spring Pin 4x7 Inox	2
7	113819	Square extension	pc

* For extendable solutions, the minimum length A of the entire crank according to the quick reference must be observed.

Gelenkkurbeln Mit Gelenkführung 36x70

Pos	N° Article	Désignation	Quantité
1	171134	Passage type 70.3 L=240	pc
	182719	Passage type 70.3 L=300	
	182729	Passage type 70.3 L=450	
	171135	Passage type 70.3 L=600	
2	182754	Anneau clipable RAL 9016	pc
	182755	Anneau clipable RAL 7035	
3	171746	Pièce télescopique Typ 1 100mm*	pc
	171747	Pièce télescopique Typ 1 200mm*	
	171748	Pièce télescopique Typ 1 300mm*	
	171749	Pièce télescopique Typ 1 400mm*	
	171750	Pièce télescopique Typ 1 500mm*	
4	171800	Tiges élastiques en spirale 4x18 Inox	pc
5	171841	Passage type 75.1/3 L=240	pc
	182720	Passage type 75.1/3 L=300	
	182730	Passage type 75.1/3 L=450	
	171842	Passage type 75.1/3 L=600	
6	155159	Tiges élastiques lourdes 4x7 Inox	2
7	113819	Rallonge carrée	pc

* Pour les solutions extensibles, la longueur minimale A de l'ensemble de la manivelle doit être respectée selon la référence rapide.

Gelenkkurbeln Mit Gelenkführung 36x70

Pos	No. articolo	Denominazione	Quantità
1	171134	Snodo per manovella tipo 70.3 L=240	pc
	182719	Snodo per manovella tipo 70.3 L=300	
	182729	Snodo per manovella tipo 70.3 L=450	
	171135	Snodo per manovella tipo 70.3 L=600	
2	182754	Clip di sicurezza RAL 9016	pc
	182755	Clip di sicurezza RAL 7035	
3	171746	Pezzo estraibile Typ 1 100mm*	pc
	171747	Pezzo estraibile Typ 1 200mm*	
	171748	Pezzo estraibile Typ 1 300mm*	
	171749	Pezzo estraibile Typ 1 400mm*	
	171750	Pezzo estraibile Typ 1 500mm*	
4	171800	Perno tensione a spirale 4x18 Inox	pc
5	171841	Snodo per manovella tipo 75.1/3 L=240	pc
	182720	Snodo per manovella tipo 75.1/3 L=300	
	182730	Snodo per manovella tipo 75.1/3 L=450	
	171842	Snodo per manovella tipo 75.1/3 L=600	
6	155159	Perno elastiche pesanti 4x7 Inox	2
7	113819	Estensione quadrata	pc

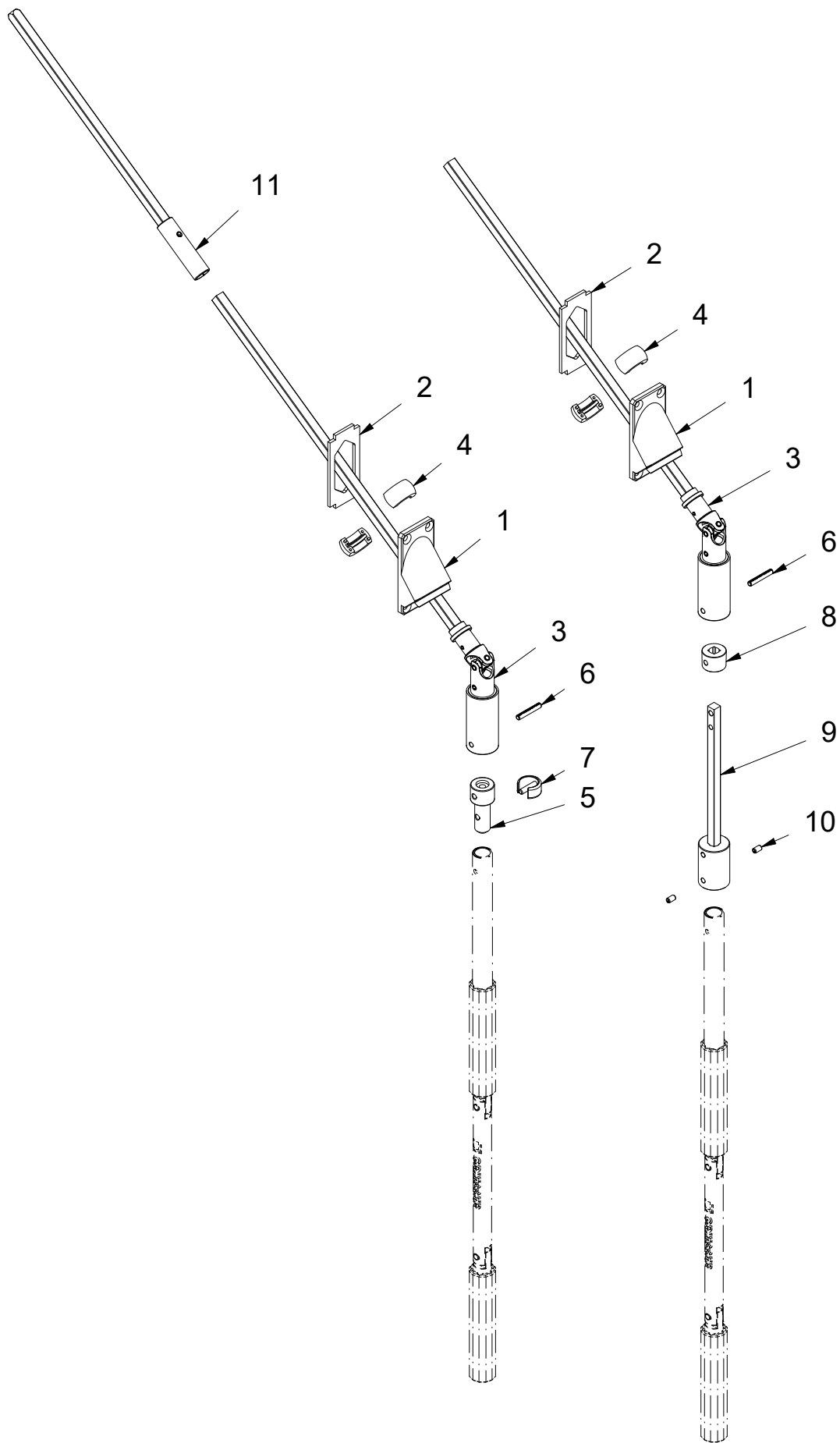
* Per le soluzioni allungabili, si deve rispettare la lunghezza minima A dell'intera manovella secondo il riferimento rapido.

Gelenkkurbeln Mit Gelenkführung 36x70

Pos	No. artículo	Designación	Cantidad
1	171134	Pasante de exterior tipo 70.3 L=240	pc
	182719	Pasante de exterior tipo 70.3 L=300	
	182729	Pasante de exterior tipo 70.3 L=450	
	171135	Pasante de exterior tipo 70.3 L=600	
2	182754	Clip de seguridad RAL 9016	pc
	182755	Clip de seguridad RAL 7035	
3	171746	Pieza extraíble Typ 1 100mm*	pc
	171747	Pieza extraíble Typ 1 200mm*	
	171748	Pieza extraíble Typ 1 300mm*	
	171749	Pieza extraíble Typ 1 400mm*	
	171750	Pieza extraíble Typ 1 500mm*	
4	171800	Varillas tensión en espiral 4x18 Inox	pc
5	171841	Pasante de exterior tipo 75.1/3 L=240	pc
	182720	Pasante de exterior tipo 75.1/3 L=300	
	182730	Pasante de exterior tipo 75.1/3 L=450	
	171842	Pasante de exterior tipo 75.1/3 L=600	
6	155159	Varillas elásticos pesados 4x7 Inox	2
7	113819	Extensión cuadrada	pc

* Para las soluciones extensibles, debe respetarse la longitud mínima A de la manivela completa según la referencia rápida.

Gelenkkurbeln Mit Gelenkführung KSB 35x75 Mit Überlastsicherung



Typ 08/09

Typ 12/13

Gelenkkurbeln Mit Gelenkführung KSB 35x75 Mit Überlastsicherung

Pos	Artikelnummer	Beschreibung	Menge
1	112660	Gelenklagerplatte Typ B (weiss)	pc
	107376	Gelenklagerplatte Typ B (grau)	
2	107381	Halteplatte B	pc
3	175371	Durchführung Typ 08-13 L, L=300	pc
	175289	Durchführung Typ 08-13 L1, L=300	
	175372	Durchführung Typ 08-13 R, L=300	
	175288	Durchführung Typ 08-13 R1, L=300	
	182734	Durchführung Typ 08-13 L, L=450	
	182731	Durchführung Typ 08-13 L1, L=450	
	182732	Durchführung Typ 08-13 R, L=450	
	182733	Durchführung Typ 08-13 R1, L=450	
	175373	Durchführung Typ 08-13 L, L=600	
	175341	Durchführung Typ 08-13 L1, L=600	
	175374	Durchführung Typ 08-13 R, L=600	
	175340	Durchführung Typ 08-13 R1, L=600	
4	175130	Gelenkkugelhälfte (weiss)	2
	175129	Gelenkkugelhälfte (grau)	
5	171090	Verbindungszapfen	pc
6	155160	Schwerspann-Stift 4x24 Inox	pc
7	182754	Sicherungsclip RAL 9016	pc
	182755	Sicherungsclip RAL 7035	
8	113794	Reduzierbüchse	pc
9	171746	Ausziehstück Typ 1 100mm*	pc
	171747	Ausziehstück Typ 1 200mm*	
	171748	Ausziehstück Typ 1 300mm*	
	171749	Ausziehstück Typ 1 400mm*	
	171750	Ausziehstück Typ 1 500mm*	
10	155159	Schwerspann-Stift 4x7 Inox	2
11	113819	Vierkantverlängerung	pc

* Bei Ausziehbaren Lösungen muss die Mindestlänge A der gesamten Kurbel gemäss Schnellreferenz beachtet werden.

Gelenkkurbeln With joint guidance KSB 35x75 With overload protection

Pos	Item No.	Denomination	Quantity
1	112660	Spherical bearing plate Typ B (white)	pc
	107376	Spherical bearing plate Typ B (grey)	
2	107381	Supporting plate B	pc
3	175371	Through connection type 08-13 L, L=300	pc
	175289	Through connection type 08-13 L1, L=300	
	175372	Through connection type 08-13 R, L=300	
	175288	Through connection type 08-13 R1, L=300	
	182734	Through connection type 08-13 L, L=450	
	182731	Through connection type 08-13 L1, L=450	
	182732	Through connection type 08-13 R, L=450	
	182733	Through connection type 08-13 R1, L=450	
	175373	Through connection type 08-13 L, L=600	
	175341	Through connection type 08-13 L1, L=600	
	175374	Through connection type 08-13 R, L=600	
	175340	Through connection type 08-13 R1, L=600	
4	175130	Half sphere joint (white)	2
	175129	Half sphere joint (grey)	
5	171090	Connecting pins	pc
6	155160	Heavy-duty spring Pin 4x24 Inox	pc
7	182754	Safety clip RAL 9016	pc
	182755	Safety clip RAL 7035	
8	113794	Reducing bushing	pc
9	171746	Extraction piece Typ 1 100mm*	pc
	171747	Extraction piece Typ 1 200mm*	
	171748	Extraction piece Typ 1 300mm*	
	171749	Extraction piece Typ 1 400mm*	
	171750	Extraction piece Typ 1 500mm*	
10	155159	Heavy-duty spring Pin 4x7 Inox	2
11	113819	Square extension	pc

* For extendable solutions, the minimum length A of the entire crank according to the quick reference must be observed.

Gelenkkurbeln Avec guidage charnière KSB 35x75 Avec sécurité anti-surcharge

Pos	N° Article	Désignation	Quantité
1	112660	Plaque d'appui Typ B (blanc)	pc
	107376	Plaque d'appui Typ B (gris)	
2	107381	Plaque de maintien B	pc
3	175371	Passage type 08-13 L, L=300	pc
	175289	Passage type 08-13 L1, L=300	
	175372	Passage type 08-13 R, L=300	
	175288	Passage type 08-13 R1, L=300	
	182734	Passage type 08-13 L, L=450	
	182731	Passage type 08-13 L1, L=450	
	182732	Passage type 08-13 R, L=450	
	182733	Passage type 08-13 R1, L=450	
	175373	Passage type 08-13 L, L=600	
	175341	Passage type 08-13 L1, L=600	
	175374	Passage type 08-13 R, L=600	
	175340	Passage type 08-13 R1, L=600	
4	175130	Demi-boule rotule (blanc)	2
	175129	Demi-boule rotule (gris)	
5	171090	Adaptateur tube manivelle	pc
6	155160	Tiges élastiques lourdes 4x24 Inox	pc
7	182754	Anneau clipable RAL 9016	pc
	182755	Anneau clipable RAL 7035	
8	113794	Douille de réduction	pc
9	171746	Pièce télescopique Typ 1 100mm*	pc
	171747	Pièce télescopique Typ 1 200mm*	
	171748	Pièce télescopique Typ 1 300mm*	
	171749	Pièce télescopique Typ 1 400mm*	
	171750	Pièce télescopique Typ 1 500mm*	
10	155159	Tiges élastiques lourdes 4x7 Inox	2
11	113819	Rallonge carrée	pc

* Pour les solutions extensibles, la longueur minimale A de l'ensemble de la manivelle doit être respectée selon la référence rapide.

Gelenkkurbeln Con guida per snodo KSB 35x75 Con protezione da sovraccarico

Pos	No. articolo	Denominazione	Quantità
1	112660	Piastra di supporto sferica Typ B (bianco)	pc
	107376	Piastra di supporto sferica Typ B (grigio)	
2	107381	Piastra di supporto B	pc
3	175371	Snodo per manovella tipo 08-13 L, L=300	pc
	175289	Snodo per manovella tipo 08-13 L1, L=300	
	175372	Snodo per manovella tipo 08-13 R, L=300	
	175288	Snodo per manovella tipo 08-13 R1, L=300	
	182734	Snodo per manovella tipo 08-13 L, L=450	
	182731	Snodo per manovella tipo 08-13 L1, L=450	
	182732	Snodo per manovella tipo 08-13 R, L=450	
	182733	Snodo per manovella tipo 08-13 R1, L=450	
	175373	Snodo per manovella tipo 08-13 L, L=600	
	175341	Snodo per manovella tipo 08-13 L1, L=600	
	175374	Snodo per manovella tipo 08-13 R, L=600	
175340	Snodo per manovella tipo 08-13 R1, L=600		
4	175130	Semisfera snodo (bianco)	2
	175129	Semisfera snodo (grigio)	
5	171090	Perno di collegamento	pc
6	155160	Perno elastiche pesanti 4x24 Inox	pc
7	182754	Clip di sicurezza RAL 9016	pc
	182755	Clip di sicurezza RAL 7035	
8	113794	Bossolo ruditante	pc
9	171746	Pezzo estraibile Typ 1 100mm*	pc
	171747	Pezzo estraibile Typ 1 200mm*	
	171748	Pezzo estraibile Typ 1 300mm*	
	171749	Pezzo estraibile Typ 1 400mm*	
	171750	Pezzo estraibile Typ 1 500mm*	
10	155159	Perno elastiche pesanti 4x7 Inox	2
11	113819	Estensione quadrata	pc

* Per le soluzioni allungabili, si deve rispettare la lunghezza minima A dell'intera manovella secondo il riferimento rapido.

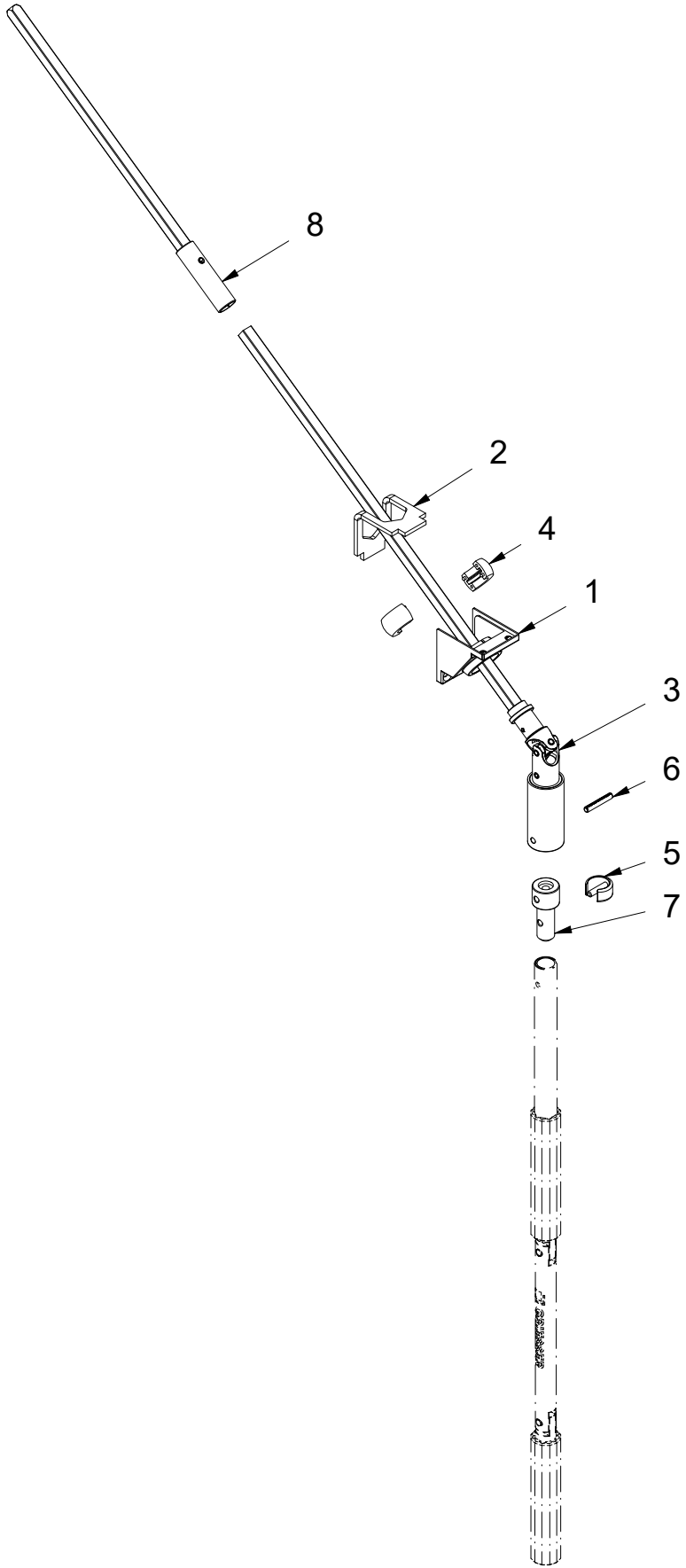
Gelenkkurbeln Con guía para juntas KSB 35x75 Con protección de sobrecarga

Pos	No. artículo	Designación	Cantidad
1	112660	Placa de cojinete esférica Typ B (blanco)	pc
	107376	Placa de cojinete esférica Typ B (gris)	
2	107381	Placa de soporte B	pc
3	175371	Pasante de exterior tipo 08-13 L, L=300	pc
	175289	Pasante de exterior tipo 08-13 L1, L=300	
	175372	Pasante de exterior tipo 08-13 R, L=300	
	175288	Pasante de exterior tipo 08-13 R1, L=300	
	182734	Pasante de exterior tipo 08-13 L, L=450	
	182731	Pasante de exterior tipo 08-13 L1, L=450	
	182732	Pasante de exterior tipo 08-13 R, L=450	
	182733	Pasante de exterior tipo 08-13 R1, L=450	
	175373	Pasante de exterior tipo 08-13 L, L=600	
	175341	Pasante de exterior tipo 08-13 L1, L=600	
	175374	Pasante de exterior tipo 08-13 R, L=600	
	175340	Pasante de exterior tipo 08-13 R1, L=600	
4	175130	Junta esférica (blanco)	2
	175129	Junta esférica (gris)	
5	171090	Clavija de conexión	pc
6	155160	Varillas elásticos pesados 4x24 Inox	pc
7	182754	Clip de seguridad RAL 9016	pc
	182755	Clip de seguridad RAL 7035	
8	113794	Casquillo reductor	pc
9	171746	Pieza extraíble Typ 1 100mm*	pc
	171747	Pieza extraíble Typ 1 200mm*	
	171748	Pieza extraíble Typ 1 300mm*	
	171749	Pieza extraíble Typ 1 400mm*	
	171750	Pieza extraíble Typ 1 500mm*	
10	155159	Varillas elásticos pesados 4x7 Inox	2
11	113819	Extensión cuadrada	pc

* Para las soluciones extensibles, debe respetarse la longitud mínima A de la manivela completa según la referencia rápida.

Gelenkkurbeln

Mit Gelenkführung KSC 35x44/44 Mit Überlastsicherung



Typ 10/11

Gelenkkurbeln Mit Gelenkführung KSC 35x44/44 Mit Überlastsicherung

Pos	Artikelnummer	Beschreibung	Menge
1	112659	Gelenklagerplatte Typ C (weiss)	pc
	107376	Gelenklagerplatte Typ C (grau)	
2	107306	Halteplatte C	pc
3	175371	Durchführung Typ 08-13 L, L=300	pc
	175289	Durchführung Typ 08-13 L1, L=300	
	175372	Durchführung Typ 08-13 R, L=300	
	175288	Durchführung Typ 08-13 R1, L=300	
	182734	Durchführung Typ 08-13 L, L=450	
	182731	Durchführung Typ 08-13 L1, L=450	
	182732	Durchführung Typ 08-13 R, L=450	
	182733	Durchführung Typ 08-13 R1, L=450	
	175373	Durchführung Typ 08-13 L, L=600	
	175341	Durchführung Typ 08-13 L1, L=600	
	175374	Durchführung Typ 08-13 R, L=600	
	175340	Durchführung Typ 08-13 R1, L=600	
4	175130	Gelenkkugelhälfte (weiss)	2
	175129	Gelenkkugelhälfte (grau)	
5	182754	Sicherungsclip RAL 9016	pc
	182755	Sicherungsclip RAL 7035	
6	155160	Schwerspann-Stift 4x24 Inox	pc
7	171090	Verbindungszapfen	pc
8	113819	Vierkantverlängerung	pc

* Bei Ausziehbaren Lösungen muss die Mindestlänge A der gesamten Kurbel gemäss Schnellreferenz beachtet werden.

Gelenkkurbeln With joint guidance KSC 35x44/44 With overload protection

Pos	Item No.	Denomination	Quantity
1	112659	Spherical bearing plate Typ C (white)	pc
	107376	Spherical bearing plate Typ C (grey)	
2	107306	Supporting plate C	pc
3	175371	Through connection type 08-13 L, L=300	pc
	175289	Through connection type 08-13 L1, L=300	
	175372	Through connection type 08-13 R, L=300	
	175288	Through connection type 08-13 R1, L=300	
	182734	Through connection type 08-13 L, L=450	
	182731	Through connection type 08-13 L1, L=450	
	182732	Through connection type 08-13 R, L=450	
	182733	Through connection type 08-13 R1, L=450	
	175373	Through connection type 08-13 L, L=600	
	175341	Through connection type 08-13 L1, L=600	
	175374	Through connection type 08-13 R, L=600	
	175340	Through connection type 08-13 R1, L=600	
4	175130	Half sphere joint (white)	2
	175129	Half sphere joint (grey)	
5	182754	Safety clip RAL 9016	pc
	182755	Safety clip RAL 7035	
6	155160	Heavy-duty spring Pin 4x24 Inox	pc
7	171090	Connecting pins	pc
8	113819	Square extension	pc

* For extendable solutions, the minimum length A of the entire crank according to the quick reference must be observed.

Gelenkkurbeln Avec guidage charnière KSC 35x44/44 Avec sécurité anti-surcharge

Pos	N° Article	Désignation	Quantité
1	112659	Plaque d'appui Typ C (blanc)	pc
	107376	Plaque d'appui Typ C (gris)	
2	107306	Plaque de maintien C	pc
3	175371	Passage type 08-13 L, L=300	pc
	175289	Passage type 08-13 L1, L=300	
	175372	Passage type 08-13 R, L=300	
	175288	Passage type 08-13 R1, L=300	
	182734	Passage type 08-13 L, L=450	
	182731	Passage type 08-13 L1, L=450	
	182732	Passage type 08-13 R, L=450	
	182733	Passage type 08-13 R1, L=450	
	175373	Passage type 08-13 L, L=600	
	175341	Passage type 08-13 L1, L=600	
	175374	Passage type 08-13 R, L=600	
	175340	Passage type 08-13 R1, L=600	
4	175130	Demi-boule rotule (blanc)	2
	175129	Demi-boule rotule (gris)	
5	182754	Clip de sécurité RAL 9016	pc
	182755	Clip de sécurité RAL 7035	
6	155160	Tiges élastiques lourdes 4x24 Inox	pc
7	171090	Adaptateur tube manivelle	pc
8	113819	Rallonge carrée	pc

* Pour les solutions extensibles, la longueur minimale A de l'ensemble de la manivelle doit être respectée selon la référence rapide.

Gelenkkurbeln

Con guida per snodo KSC 35x44/44 Con protezione da sovraccarico

Pos	No. articolo	Denominazione	Quantità
1	112659	Piastra di supporto sferica Typ C (bianco)	pc
	107376	Piastra di supporto sferica Typ C (gris)	
2	107306	Piastra di supporto C	pc
3	175371	Snodo per manovella tipo 08-13 L, L=300	pc
	175289	Snodo per manovella tipo 08-13 L1, L=300	
	175372	Snodo per manovella tipo 08-13 R, L=300	
	175288	Snodo per manovella tipo 08-13 R1, L=300	
	182734	Snodo per manovella tipo 08-13 L, L=450	
	182731	Snodo per manovella tipo 08-13 L1, L=450	
	182732	Snodo per manovella tipo 08-13 R, L=450	
	182733	Snodo per manovella tipo 08-13 R1, L=450	
	175373	Snodo per manovella tipo 08-13 L, L=600	
	175341	Snodo per manovella tipo 08-13 L1, L=600	
	175374	Snodo per manovella tipo 08-13 R, L=600	
175340	Snodo per manovella tipo 08-13 R1, L=600		
4	175130	Semisfera snodo (bianco)	2
	175129	Semisfera snodo (grigio)	
5	182754	Clip di sicurezza RAL 9016	pc
	182755	Clip di sicurezza RAL 7035	
6	155160	Perno elastiche pesanti 4x24 Inox	pc
7	171090	Perno di collegamento	pc
8	113819	Estensione quadrata	pc

* Per le soluzioni allungabili, si deve rispettare la lunghezza minima A dell'intera manovella secondo il riferimento rapido.

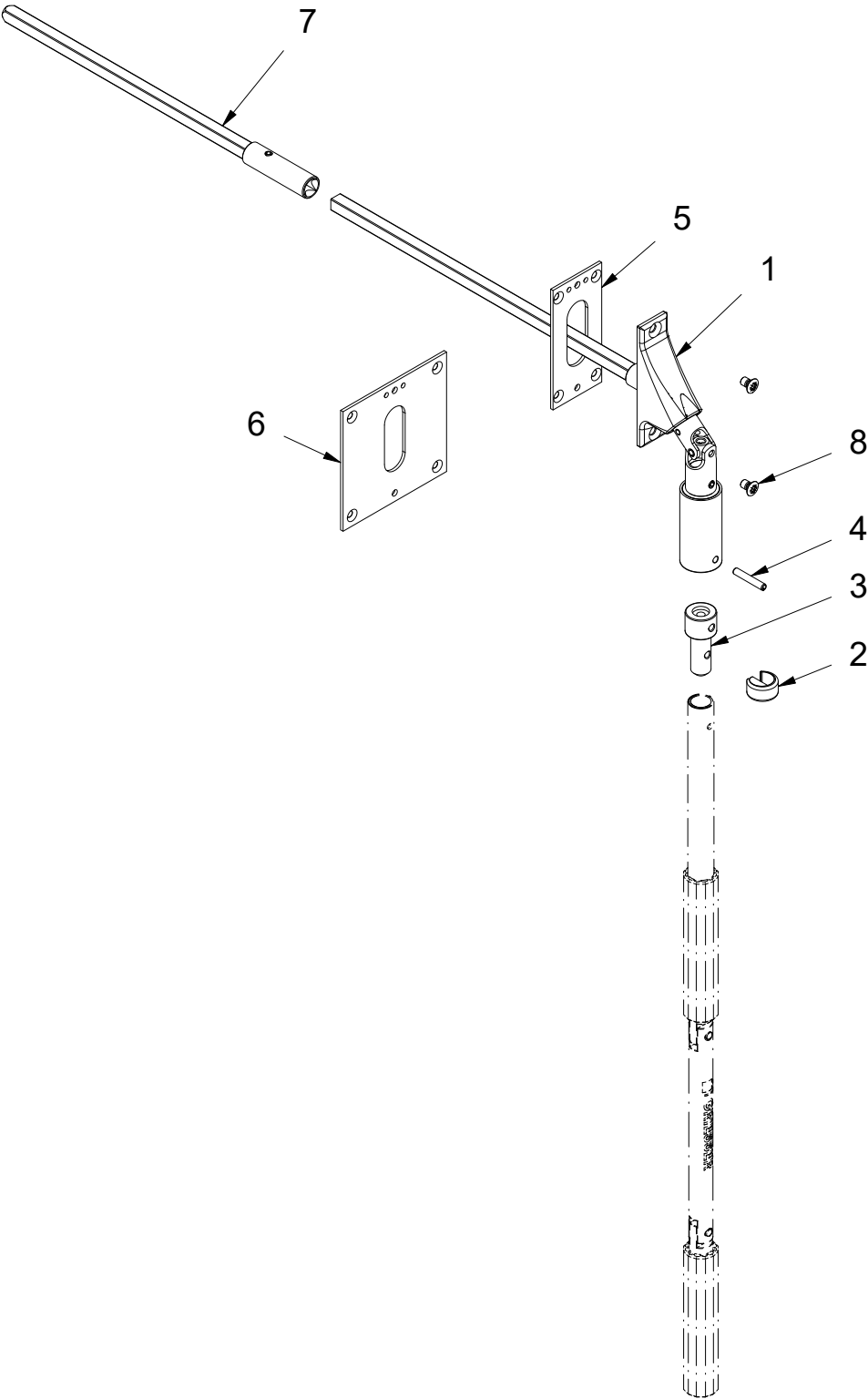
Gelenkkurbeln Con guía para juntas KSC 35x44/44 Con protección de sobrecarga

Pos	No. artículo	Designación	Cantidad
1	112659	Placa de cojinete esférica Typ C (blanco)	pc
	107376	Placa de cojinete esférica Typ C (gris)	
2	107306	Placa de soporte C	pc
3	175371	Pasante de exterior tipo 08-13 L, L=300	pc
	175289	Pasante de exterior tipo 08-13 L1, L=300	
	175372	Pasante de exterior tipo 08-13 R, L=300	
	175288	Pasante de exterior tipo 08-13 R1, L=300	
	182734	Pasante de exterior tipo 08-13 L, L=450	
	182731	Pasante de exterior tipo 08-13 L1, L=450	
	182732	Pasante de exterior tipo 08-13 R, L=450	
	182733	Pasante de exterior tipo 08-13 R1, L=450	
	175373	Pasante de exterior tipo 08-13 L, L=600	
	175341	Pasante de exterior tipo 08-13 L1, L=600	
	175374	Pasante de exterior tipo 08-13 R, L=600	
	175340	Pasante de exterior tipo 08-13 R1, L=600	
4	175130	Junta esférica (blanco)	2
	175129	Junta esférica (gris)	
5	182754	Clip de seguridad RA 9016	pc
	182755	Clip de seguridad RA 7035	
6	155160	Varillas elásticos pesados 4x24 Inox	pc
7	171090	Clavija de conexión	pc
8	113819	Extensión cuadrada	pc

* Para las soluciones extensibles, debe respetarse la longitud mínima A de la manivela completa según la referencia rápida.

Gelenkkurbeln

Mit Gelenkführung 22x85 Mit Überlastsicherung



Typ 26/27

Gelenkkurbeln Mit Gelenkführung 22x85 Mit Überlastsicherung

Pos	Artikelnummer	Beschreibung	Menge
1	182814	Durchführung Typ 27 L1, L=300	pc
	182815	Durchführung Typ 27 L, L=300	
	182816	Durchführung Typ 26 R1, L=300	
	182817	Durchführung Typ 26 R, L=300	
	182818	Durchführung Typ 27 L1, L=600	
	182819	Durchführung Typ 27 L, L=600	
	182820	Durchführung Typ 26 R1, L=600	
	182821	Durchführung Typ 26 R, L=600	
2	182754	Sicherungsclip RAL 9016	pc
	182755	Sicherungsclip RAL 7035	
3	171090	Verbindungzapfen	pc
4	155160	Schwerspann-Stift 4x24 Inox	pc
5	182761	Unterlagsplatte 40x85	pc
6	182762	Unterlagsplatte 85x85	pc
7	113819	Vierkantverlängerung	pc
8	182763	Linsensenk-Schraube Kreuz M5x8 Inox	2

Gelenkkurbeln With joint guidance 22x85 With overload protection

Pos	Item No.	Denomination	Quantity
1	182814	Through connection type 27 L1, L=300	pc
	182815	Through connection type 27 L, L=300	
	182816	Through connection type 26 R1, L=300	
	182817	Through connection type 26 R, L=300	
	182818	Through connection type 27 L1, L=600	
	182819	Through connection type 27 L, L=600	
	182820	Through connection type 26 R1, L=600	
	182821	Through connection type 26 R, L=600	
2	182754	Safety clip RAL 9016	pc
	182755	Safety clip RAL 7035	
3	171090	Connecting pins	pc
4	155160	Heavy-duty spring Pin 4x24 Inox	pc
5	182761	Support plate 40x85	pc
6	182762	Support plate 85x85	pc
7	113819	Square extension	pc
8	182763	Slotted oval countersunk head Screw cross recess M5x8 Inox	2

Gelenkkurbeln

Avec guidage charnière 22x85 Avec sécurité anti-surchage

Pos	N° Article	Désignation	Quantité
1	182814	Passage type 27 L1, L=300	pc
	182815	Passage type 27 L, L=300	
	182816	Passage type 26 R1, L=300	
	182817	Passage type 26 R, L=300	
	182818	Passage type 27 L1, L=600	
	182819	Passage type 27 L, L=600	
	182820	Passage type 26 R1, L=600	
	182821	Passage type 26 R, L=600	
2	182754	Anneau clipable RAL 9016	pc
	182755	Anneau clipable RAL 7035	
3	171090	Adaptateur tube manivelle	pc
4	155160	Tiges élastiques lourdes 4x24 Inox	pc
5	182761	Plaque d'appui 40x85	pc
6	182762	Plaque d'appui 85x85	pc
7	113819	Rallonge carrée	pc
8	182763	Vis à tête fraisée bombée cruciforme M5x8 Inox	2

Gelenkkurbeln

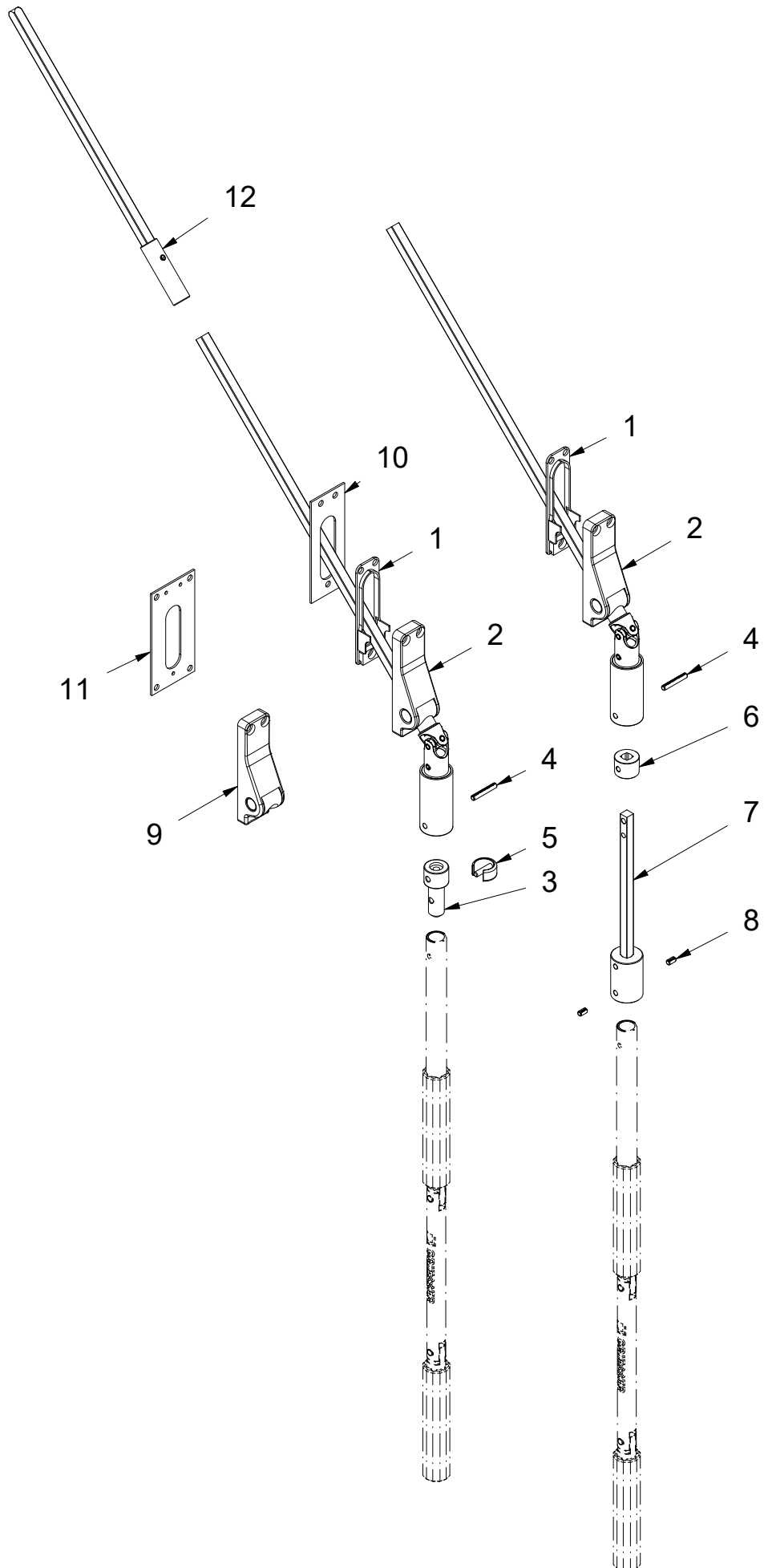
Con guida per snodo 22x85 Con protezione da sovraccarico

Pos	No. articolo	Denominazione	Quantità
1	182814	Snodo per manovella tipo 27 L1, L=300	pc
	182815	Snodo per manovella tipo 27 L, L=300	
	182816	Snodo per manovella tipo 26 R1, L=300	
	182817	Snodo per manovella tipo 26 R, L=300	
	182818	Snodo per manovella tipo 27 L1, L=600	
	182819	Snodo per manovella tipo 27 L, L=600	
	182820	Snodo per manovella tipo 26 R1, L=600	
	182821	Snodo per manovella tipo 26 R, L=600	
2	182754	Clip di sicurezza RAL 9016	pc
	182755	Clip di sicurezza RAL 7035	
3	171090	Perno di collegamento	pc
4	155160	Perno elastiche pesanti 4x24 Inox	pc
5	182761	Piastra di supporto 40x85	pc
6	182762	Piastra di supporto 85x85	pc
7	113819	Estensione quadrata	pc
8	182763	Vite a testa svasata con calotta impr a cro M5x8 Inox	2

Gelenkkurbeln Con guía para juntas 22x85 Con protección de sobrecarga

Pos	No. artículo	Designación	Cantidad
1	182814	Pasante de exterior tipo 27 L1, L=300	pc
	182815	Pasante de exterior tipo 27 L, L=300	
	182816	Pasante de exterior tipo 26 R1, L=300	
	182817	Pasante de exterior tipo 26 R, L=300	
	182818	Pasante de exterior tipo 27 L1, L=600	
	182819	Pasante de exterior tipo 27 L, L=600	
	182820	Pasante de exterior tipo 26 R1, L=600	
	182821	Pasante de exterior tipo 26 R, L=600	
2	182754	Clip de seguridad RAL 9016	pc
	182755	Clip de seguridad RAL 7035	
3	171090	Clavija de conexión	pc
4	155160	Varillas elásticos pesados 4x24 Inox	pc
5	182761	Placa de soporte 40x85	pc
6	182762	Placa de soporte 85x85	pc
7	113819	Extensión cuadrada	pc
8	182763	Tornillo cabeza avellanada con tapa estrella M5x8 Inox	2

Gelenkkurbeln Mit Gelenkführung 25x90 Mit Überlastsicherung



Typ 40/41/42/43 Typ 44/45/46/47

Gelenkkurbeln Mit Gelenkführung 25x90 Mit Überlastsicherung

Pos	Artikelnummer	Beschreibung	Menge
1	113765	Grundplatte 25x90	pc
2	175026	Durchführung Typ 40-47.1 L1, L=300 (grau)	pc
	175027	Durchführung Typ 40-47.1 R1, L=300 (grau)	
	171146	Durchführung Typ 40-47.1 L, L=300 (grau)	
	171140	Durchführung Typ 40-47.1 R, L=300 (grau)	
	175223	Durchführung Typ 40-47.3 L1, L=300 (weiss)	
	175227	Durchführung Typ 40-47.3 R1, L=300 (weiss)	
	175251	Durchführung Typ 40-47.3 L, L=300 (weiss)	
	175255	Durchführung Typ 40-47.3 R, L=300 (weiss)	
3	171090	Verbindungszapfen	pc
4	155160	Schwerspann-Stift 4x24 Inox	pc
5	182754	Sicherungsclip RAL 9016	pc
	182755	Sicherungsclip RAL 7035	
6	113794	Reduzierbüchse	pc
7	171746	Ausziehstück Typ 1 100mm*	pc
	171747	Ausziehstück Typ 1 200mm*	
	171748	Ausziehstück Typ 1 300mm*	
	171749	Ausziehstück Typ 1 400mm*	
	171750	Ausziehstück Typ 1 500mm*	
8	155159	Schwerspann-Stift 4x7 Inox	2
9	182228	Gelenklagerplatte inkl. Lagerstücke (weiss)	pc
	182229	Gelenklagerplatte inkl. Lagerstücke (grau)	
10	113773	Abdeckplatte 35x92 RAL 7035	pc
	113775	Abdeckplatte 35x92 RAL 9010	
11	113776	Abdeckplatte 45x92 RAL 7035	pc
	113778	Abdeckplatte 45x92 RAL 9010	
12	113819	Vierkantverlängerung	pc

* Bei Ausziehbaren Lösungen muss die Mindestlänge A der gesamten Kurbel gemäss Schnellreferenz beachtet werden.

Gelenkkurbeln With joint guidance 25x90 With overload protection

Pos	Item No.	Denomination	Quantity
1	113765	Base plate 25x90	pc
2	175026	Through connection type 40-47.1 L1, L=300 (grey)	pc
	175027	Through connection type 40-47.1 R1, L=300 (grey)	
	171146	Through connection type 40-47.1 L, L=300 (grey)	
	171140	Through connection type 40-47.1 R, L=300 (grey)	
	175223	Through connection type 40-47.3 L1, L=300 (white)	
	175227	Through connection type 40-47.3 R1, L=300 (white)	
	175251	Through connection type 40-47.3 L, L=300 (white)	
	175255	Through connection type 40-47.3 R, L=300 (white)	
3	171090	Connecting pins	pc
4	155160	Heavy-duty spring Pin 4x24 Inox	pc
5	182754	Safety clip RAL 9016	pc
	182755	Safety clip RAL 7035	
6	113794	Reducing bushing	pc
7	171746	Extraction piece Typ 1 100mm*	pc
	171747	Extraction piece Typ 1 200mm*	
	171748	Extraction piece Typ 1 300mm*	
	171749	Extraction piece Typ 1 400mm*	
	171750	Extraction piece Typ 1 500mm*	
8	155159	Heavy-duty spring Pin 4x7 Inox	2
9	182228	Spherical bear. plate incl. bearing pc (white)	pc
	182229	Spherical bear. plate incl. bearing pc (grey)	
10	113773	Cover plate 35x92 RAL 7035	pc
	113775	Cover plate 35x92 RAL 9010	
11	113776	Cover plate 45x92 RAL 7035	pc
	113778	Cover plate 45x92 RAL 9010	
12	113819	Square extension	pc

* For extendable solutions, the minimum length A of the entire crank according to the quick reference must be observed.

Gelenkkurbeln Avec guidage charnière 25x90 Avec sécurité anti-surchage

Pos	N° Article	Désignation	Quantité
1	113765	Plaque d'embase 25x90	pc
2	175026	Passage type 40-47.1 L1, L=300 (gris)	pc
	175027	Passage type 40-47.1 R1, L=300 (gris)	
	171146	Passage type 40-47.1 L, L=300 (gris)	
	171140	Passage type 40-47.1 R, L=300 (gris)	
	175223	Passage type 40-47.3 L1, L=300 (blanc)	
	175227	Passage type 40-47.3 R1, L=300 (blanc)	
	175251	Passage type 40-47.3 L, L=300 (blanc)	
	175255	Passage type 40-47.3 R, L=300 (blanc)	
3	171090	Adaptateur tube manivelle	pc
4	155160	Tiges élastiques lourdes 4x24 Inox	pc
5	182754	Anneau clipable RAL 9016	pc
	182755	Anneau clipable RAL 7035	
6	113794	Douille de réduction	pc
7	171746	Pièce télescopique Typ 1 100mm*	pc
	171747	Pièce télescopique Typ 1 200mm*	
	171748	Pièce télescopique Typ 1 300mm*	
	171749	Pièce télescopique Typ 1 400mm*	
	171750	Pièce télescopique Typ 1 500mm*	
8	155159	Tiges élastiques lourdes 4x7 Inox	2
9	182228	Plaque d'appui rotule compr. pièce palier (blanc)	pc
	182229	Plaque d'appui rotule compr. pièce palier (gris)	
10	113773	Plaque de recouvrement 35x92 RAL 7035	pc
	113775	Plaque de recouvrement 35x92 RAL 9010	
11	113776	Plaque de recouvrement 45x92 RAL 7035	pc
	113778	Plaque de recouvrement 45x92 RAL 9010	
12	113819	Rallonge carrée	pc

* Pour les solutions extensibles, la longueur minimale A de l'ensemble de la manivelle doit être respectée selon la référence rapide.

Gelenkkurbeln Con guida per snodo 25x90 Con protezione da sovraccarico

Pos	No. articolo	Denominazione	Quantità
1	113765	Piastra di base 25x90	pc
2	175026	Snodo per manovella tipo 40-47.1 L1, L=300 (grigio)	pc
	175027	Snodo per manovella tipo 40-47.1 R1, L=300 (grigio)	
	171146	Snodo per manovella tipo 40-47.1 L, L=300 (grigio)	
	171140	Snodo per manovella tipo 40-47.1 R, L=300 (grigio)	
	175223	Snodo per manovella tipo 40-47.3 L1, L=300 (bianco)	
	175227	Snodo per manovella tipo 40-47.3 R1, L=300 (bianco)	
	175251	Snodo per manovella tipo 40-47.3 L, L=300 (bianco)	
	175255	Snodo per manovella tipo 40-47.3 R, L=300 (bianco)	
3	171090	Perno di collegamento	pc
4	155160	Perno elastiche pesanti 4x24 Inox	pc
5	182754	Clip di sicurezza RAL 9016	pc
	182755	Clip di sicurezza RAL 7035	
6	113794	Bossolo ruditante	pc
7	171746	Pezzo estraibile Typ 1 100mm*	pc
	171747	Pezzo estraibile Typ 1 200mm*	
	171748	Pezzo estraibile Typ 1 300mm*	
	171749	Pezzo estraibile Typ 1 400mm*	
	171750	Pezzo estraibile Typ 1 500mm*	
8	155159	Perno elastiche pesanti 4x7 Inox	2
9	182228	Piastra di supporto sferica incl. cuscinetto pc. (bianco)	pc
	182229	Piastra di supporto sferica incl. cuscinetto pc. (grigio)	
10	113773	Piastra di copertura 35x92 RAL 7035	pc
	113775	Piastra di copertura 35x92 RAL 9010	
11	113776	Piastra di copertura 45x92 RAL 7035	pc
	113778	Piastra di copertura 45x92 RAL 9010	
12	113819	Estensione quadrata	pc

* Per le soluzioni allungabili, si deve rispettare la lunghezza minima A dell'intera manovella secondo il riferimento rapido.

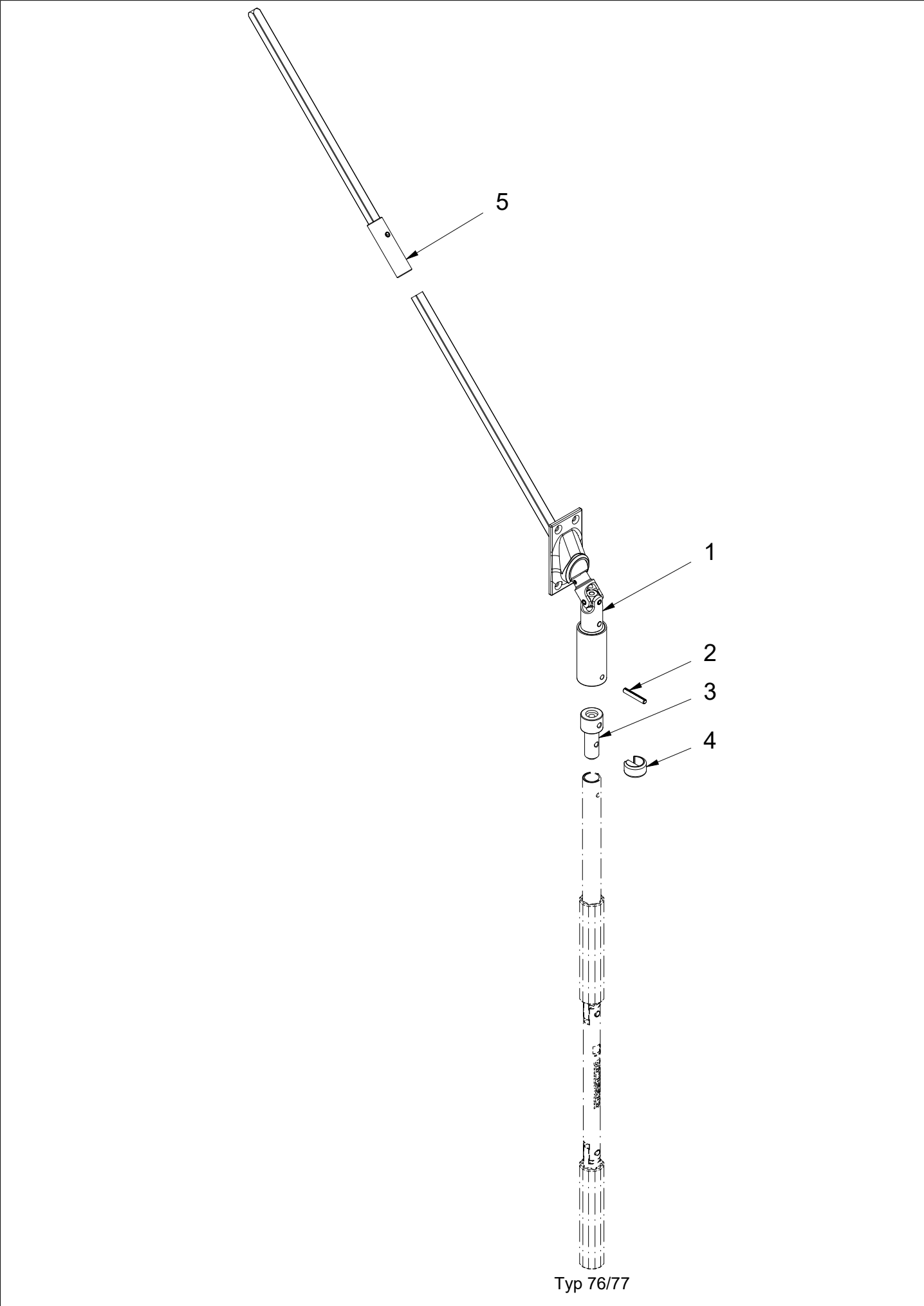
Gelenkkurbeln Con guía para juntas 25x90 Con protección de sobrecarga

Pos	No. artículo	Designación	Cantidad
1	113765	Placa de base 25x90	pc
2	175026	Pasante de exterior tipo 40-47.1 L1, L=300 (gris)	pc
	175027	Pasante de exterior tipo 40-47.1 R1, L=300 (gris)	
	171146	Pasante de exterior tipo 40-47.1 L, L=300 (gris)	
	171140	Pasante de exterior tipo 40-47.1 R, L=300 (gris)	
	175223	Pasante de exterior tipo 40-47.3 L1, L=300 (blanco)	
	175227	Pasante de exterior tipo 40-47.3 R1, L=300 (blanco)	
	175251	Pasante de exterior tipo 40-47.3 L, L=300 (blanco)	
	175255	Pasante de exterior tipo 40-47.3 R, L=300 (blanco)	
3	171090	Clavija de conexión	pc
4	155160	Varillas elásticos pesados 4x24 Inox	pc
5	182754	Clip de seguridad RAL 9016	pc
	182755	Clip de seguridad RAL 7035	
6	113794	Casquillo reductor	pc
7	171746	Pieza extraíble Typ 1 100mm*	pc
	171747	Pieza extraíble Typ 1 200mm*	
	171748	Pieza extraíble Typ 1 300mm*	
	171749	Pieza extraíble Typ 1 400mm*	
	171750	Pieza extraíble Typ 1 500mm*	
8	155159	Varillas elásticos pesados 4x7 Inox	2
9	182228	Placa de cojinete esférica incl. pieza de rodamiento (blanco)	pc
	182229	Placa de cojinete esférica incl. pieza de rodamiento (gris)	
10	113773	Placa de cobertura 35x92 RAL 7035	pc
	113775	Placa de cobertura 35x92 RAL 9010	
11	113776	Placa de cobertura 45x92 RAL 7035	pc
	113778	Placa de cobertura 45x92 RAL 9010	
12	113819	Extensión cuadrada	pc

* Para las soluciones extensibles, debe respetarse la longitud mínima A de la manivela completa según la referencia rápida.

Gelenkkurbeln

Mit Gelenkführung 36x70 Mit Überlastsicherung



Gelenkkurbeln Mit Gelenkführung 36x70 Mit Überlastsicherung

Pos	Artikelnummer	Beschreibung	Menge
1	182687	Durchführung Typ 76 R1, L=300	pc
	182685	Durchführung Typ 76 R, L=300	
	182686	Durchführung Typ 77 L, L=300	
	182690	Durchführung Typ 77 L1, L=300	
	182691	Durchführung Typ 76 R, L=600	
	182693	Durchführung Typ 76 R1, L=600	
	182692	Durchführung Typ 77 L, L=600	
	182696	Durchführung Typ 77 L1, L=600	
2	155160	Schwerspann-Stift 4x24 Inox	pc
3	171090	Verbindungszapfen	pc
4	182754	Sicherungsclip RAL 9016	pc
	182755	Sicherungsclip RAL 7035	
5	113819	Vierkantverlängerung	pc

Gelenkkurbeln With joint guidance 36x70 With overload protection

Pos	Item No.	Denomination	Quantity
1	182687	Through connection type 76 R1, L=300	pc
	182685	Through connection type 76 R, L=300	
	182686	Through connection type 77 L, L=300	
	182690	Through connection type 77 L1, L=300	
	182691	Through connection type 76 R, L=600	
	182693	Through connection type 76 R1, L=600	
	182692	Through connection type 77 L, L=600	
	182696	Through connection type 77 L1, L=600	
2	155160	Heavy-duty spring Pin 4x24 Inox	pc
3	171090	Connecting pins	pc
4	182754	Safety clip RAL 9016	pc
	182755	Safety clip RAL 7035	
5	113819	Square extension	pc

Gelenkkurbeln

Avec guidage charnière 36x70 Avec sécurité anti-surcharge

Pos	N° Article	Désignation	Quantité
1	182687	Passage type 76 R1, L=300	pc
	182685	Passage type 76 R, L=300	
	182686	Passage type 77 L, L=300	
	182690	Passage type 77 L1, L=300	
	182691	Passage type 76 R, L=600	
	182693	Passage type 76 R1, L=600	
	182692	Passage type 77 L, L=600	
	182696	Passage type 77 L1, L=600	
2	155160	Tiges élastiques lourdes 4x24 Inox	pc
3	171090	Adaptateur tube manivelle	pc
4	182754	Anneau clipable RAL 9016	pc
	182755	Anneau clipable RAL 7035	
5	113819	Rallonge carrée	pc

Gelenkkurbeln

Con guida per snodo 36x70 Con protezione da sovraccarico

Pos	No. articolo	Denominazione	Quantità
1	182687	Snodo per manovella tipo 76 R1, L=300	pc
	182685	Snodo per manovella tipo 76 R, L=300	
	182686	Snodo per manovella tipo 77 L, L=300	
	182690	Snodo per manovella tipo 77 L1, L=300	
	182691	Snodo per manovella tipo 76 R, L=600	
	182693	Snodo per manovella tipo 76 R1, L=600	
	182692	Snodo per manovella tipo 77 L, L=600	
	182696	Snodo per manovella tipo 77 L1, L=600	
2	155160	Perno elastiche pesanti 4x24 Inox	pc
3	171090	Perno di collegamento	pc
4	182754	Clip di sicurezza RAL 9016	pc
	182755	Clip di sicurezza RAL 7035	
5	113819	Estensione quadrata	pc

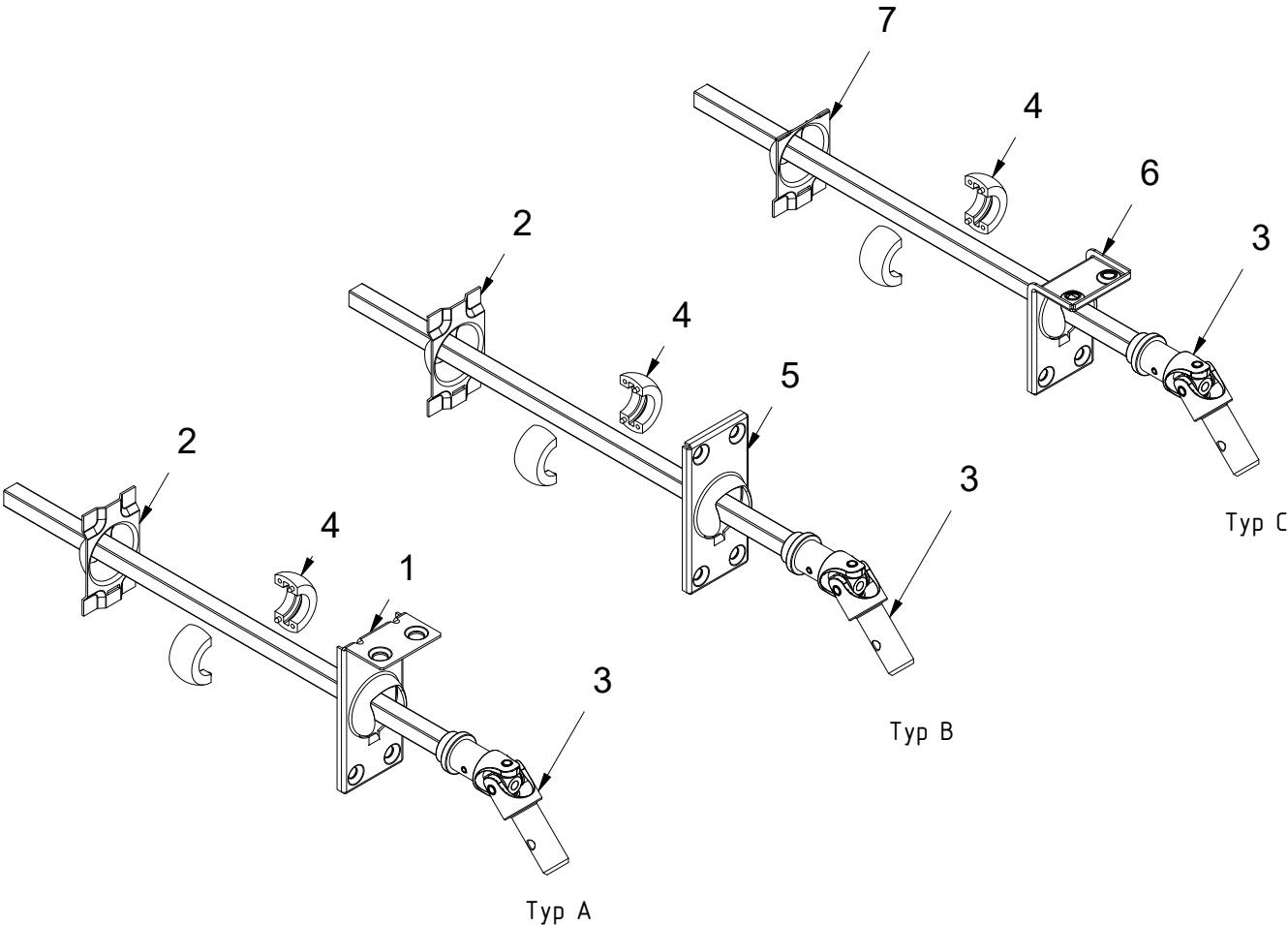
Gelenkkurbeln

Con guía para juntas 36x70 Con protección de sobrecarga

Pos	No. artículo	Designación	Cantidad
1	182687	Pasante de exterior tipo 76 R1, L=300	pc
	182685	Pasante de exterior tipo 76 R, L=300	
	182686	Pasante de exterior tipo 77 L, L=300	
	182690	Pasante de exterior tipo 77 L1, L=300	
	182691	Pasante de exterior tipo 76 R, L=600	
	182693	Pasante de exterior tipo 76 R1, L=600	
	182692	Pasante de exterior tipo 77 L, L=600	
	182696	Pasante de exterior tipo 77 L1, L=600	
2	155160	Varillas elásticos pesados 4x24 Inox	pc
3	171090	Clavija de conexión	pc
4	182754	Clip de seguridad RAL 9016	pc
	182755	Clip de seguridad RAL 9016	
5	113819	Extensión cuadrada	pc

Gelenkkurbeln

Gelenkführungsplatte 35



Gelenkkurbeln

Gelenkführungsplatte 35

Pos	Artikelnummer	Beschreibung	Menge
1	103180	Gelenkführungsplatte 35 Typ A	pc
2	103181	Gelenkführungsplatte 35 Typ A + B	pc
3	175282	Durchführung Typ 04/05 L=240	pc
	182717	Durchführung Typ 04/05 L=300	
	182727	Durchführung Typ 04/05 L=450	
	175283	Durchführung Typ 04/05 L=600	
4	175130	Gelenkkugelhälfte (weiss)	2
	175129	Gelenkkugelhälfte (grau)	
5	103182	Gelenkführungsplatte 35 Typ B	pc
6	105739	Gelenkführungsplatte 35 Typ C	pc
7	105738	Gelenkführungsplatte 35 Typ C	pc

Gelenkkurbeln

Joint guide plate 35

Pos	Item No.	Denomination	Quantity
1	103180	Joint guide plate 35 type A	pc
2	103181	Joint guide plate 35 type A + B	pc
3	175282	Through connection type 04/05 L=240	pc
	182717	Through connection type 04/05 L=300	
	182727	Through connection type 04/05 L=450	
	175283	Through connection type 04/05 L=600	
4	175130	Half sphere joint (white)	2
	175129	Half sphere joint (grey)	
5	103182	Joint guide plate 35 type B	pc
6	105739	Joint guide plate 35 type C	pc
7	105738	Joint guide plate 35 type C	pc

Gelenkkurbeln

Plaque de guidage articulée 35

Pos	N° Article	Désignation	Quantité
1	103180	Plaque de guidage articulée 35 type A	pc
2	103181	Plaque de guidage articulée 35 type A + B	pc
3	175282 182717 182727 175283	Passage type 04/05 L=240 Passage type 04/05 L=300 Passage type 04/05 L=450 Passage type 04/05 L=600	pc
4	175130 175129	Demi-boule rotule (blanc) Demi-boule rotule (gris)	2
5	103182	Plaque de guidage articulée 35 type B	pc
6	105739	Plaque de guidage articulée 35 type C	pc
7	105738	Plaque de guidage articulée 35 type C	pc

Gelenkkurbeln

Piastra per guida per snodo 35

Pos	No. articolo	Denominazione	Quantità
1	103180	Piastra per guida per snodo 35 tipo A	pc
2	103181	Piastra per guida per snodo 35 tipo A + B	pc
3	175282	Snodo per manovella tipo 04/05 L=240	pc
	182717	Snodo per manovella tipo 04/05 L=300	
	182727	Snodo per manovella tipo 04/05 L=450	
	175283	Snodo per manovella tipo 04/05 L=600	
4	175130	Semisfera snodo (bianco)	2
	175129	Semisfera snodo (grigio)	
5	103182	Piastra per guida per snodo 35 tipo B	pc
6	105739	Piastra per guida per snodo 35 tipo C	pc
7	105738	Piastra per guida per snodo 35 tipo C	pc

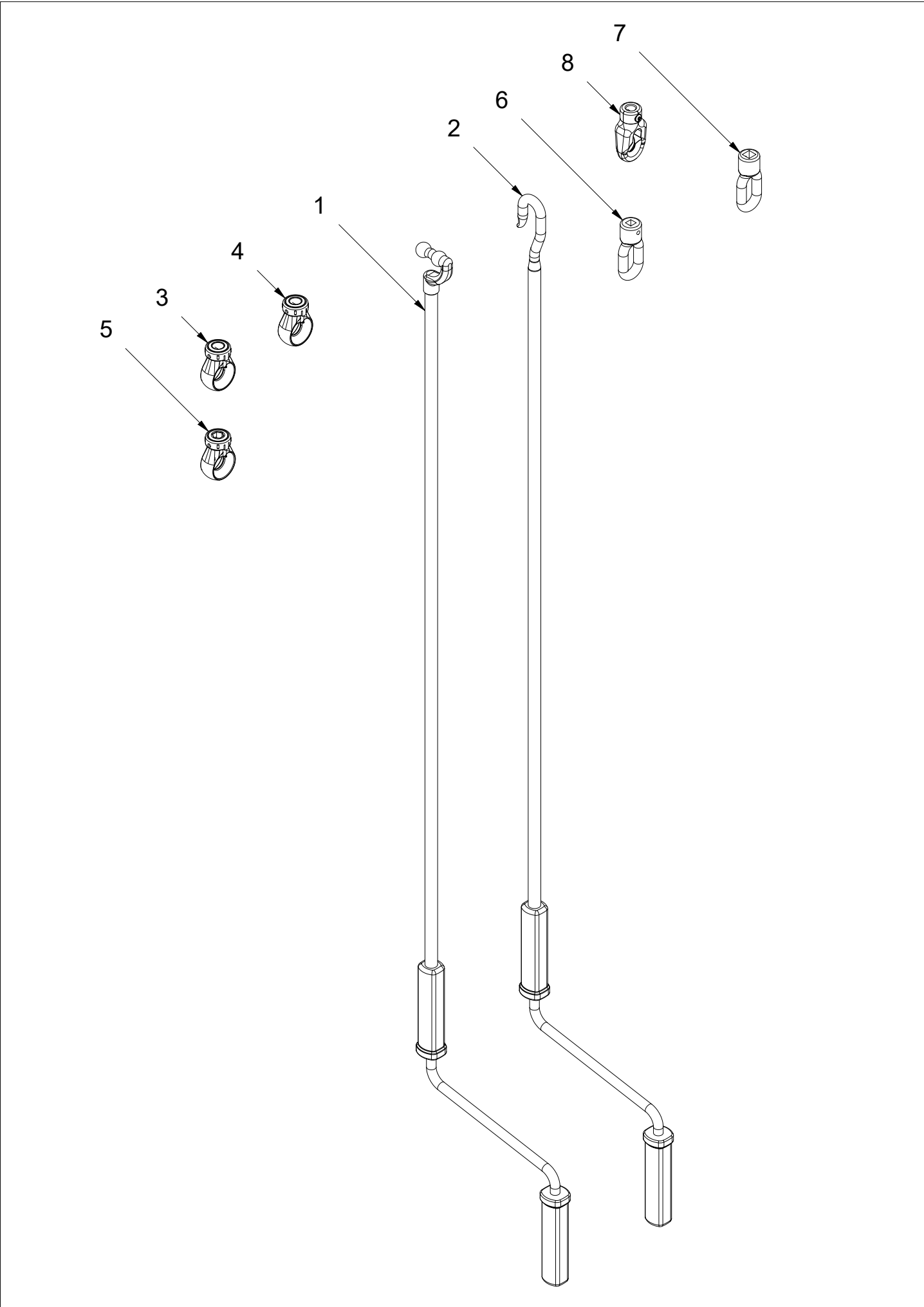
Gelenkkurbeln

Placa para la guía de junta 35

Pos	No. artículo	Designación	Cantidad
1	103180	Placa para la guía de la junta 35 tipo A	pc
2	103181	Placa para la guía de la junta 35 tipo A + B	pc
3	175282	Pasante de exterior tipo 04/05 L=240	pc
	182717	Pasante de exterior tipo 04/05 L=300	
	182727	Pasante de exterior tipo 04/05 L=450	
	175283	Pasante de exterior tipo 04/05 L=600	
4	175130	Junta esférica (blanco)	2
	175129	Junta esférica (gris)	
5	103182	Placa para la guía de la junta 35 tipo B	pc
6	105739	Placa para la guía de la junta 35 tipo C	pc
7	105738	Placa para la guía de la junta 35 tipo C	pc

Einhängekurbeln

Einhängekurbelstangen



Einhängekurbeln Einhängekurbelstangen

Pos	Artikelnummer	Beschreibung	Menge
1	161097	Einhängekurbelstange zu Ring KS L=800 (schwarz)	pc
	161098	Einhängekurbelstange zu Ring KS L=1000 (schwarz)	
	161099	Einhängekurbelstange zu Ring KS L=1200 (schwarz)	
	161100	Einhängekurbelstange zu Ring KS L=1400 (schwarz)	
	161101	Einhängekurbelstange zu Ring KS L=1600 (schwarz)	
	161102	Einhängekurbelstange zu Ring KS L=1800 (schwarz)	
	161103	Einhängekurbelstange zu Ring KS L=2000 (schwarz)	
	161104	Einhängekurbelstange zu Ring KS L=2200 (schwarz)	
	161105	Einhängekurbelstange zu Ring KS L=2400 (schwarz)	
	161106	Einhängekurbelstange zu Ring KS L=2600 (schwarz)	
161107	Einhängekurbelstange zu Ring KS L=2800 (schwarz)		
2	111469	Einhängekurbelstange L=1200 (schwarz)	pc
	111470	Einhängekurbelstange L=1400 (schwarz)	
	111471	Einhängekurbelstange L=1600 (schwarz)	
3	174514	Einhängering kpl. D12 (RAL 9016)	pc
4	182827	Einhängering kpl. D12 (RAL 7035)	pc
5	182828	Einhängering mit 6-kt kpl. SW10 (RAL 9016)	pc
6	103624	Einhängering Innenvierkant 8 x 8	pc
7	103640	Einhängering Innenvierkant 10 x 10	pc
8	182829	Einhängeöse kpl. D10	pc

Einhängekurbeln Suspension cranks bar

Pos	Item No.	Denomination	Quantity
1	161097	Suspension crank bar for round eyelet L=800 (black)	pc
	161098	Suspension crank bar for round eyelet L=1000 (black)	
	161099	Suspension crank bar for round eyelet L=1200 (black)	
	161100	Suspension crank bar for round eyelet L=1400 (black)	
	161101	Suspension crank bar for round eyelet L=1600 (black)	
	161102	Suspension crank bar for round eyelet L=1800 (black)	
	161103	Suspension crank bar for round eyelet L=2000 (black)	
	161104	Suspension crank bar for round eyelet L=2200 (black)	
	161105	Suspension crank bar for round eyelet L=2400 (black)	
	161106	Suspension crank bar for round eyelet L=2600 (black)	
161107	Suspension crank bar for round eyelet L=2800 (black)		
2	111469	Suspension crank bar L=1200 (black)	pc
	111470	Suspension crank bar L=1400 (black)	
	111471	Suspension crank bar L=1600 (black)	
3	174514	Hanging ring cpl. D12 (RAL 9016)	pc
4	182827	Hanging ring cpl. D12 (RAL 7035)	pc
5	182828	Hanging ring with hex cpl. SW10 (RAL 9016)	pc
6	103624	Hanging ring inner square 8 x 8	pc
7	103640	Hanging ring inner square 10 x 10	pc
8	182829	Loop for operating handle cpl. D10	pc

Einhängekurbeln Tringle décrochables

Pos	N° Article	Désignation	Quantité
1	161097	Tringle décrochable pour anneau pvc L=800 (noir)	pc
	161098	Tringle décrochable pour anneau pvc L=1000 (noir)	
	161099	Tringle décrochable pour anneau pvc L=1200 (noir)	
	161100	Tringle décrochable pour anneau pvc L=1400 (noir)	
	161101	Tringle décrochable pour anneau pvc L=1600 (noir)	
	161102	Tringle décrochable pour anneau pvc L=1800 (noir)	
	161103	Tringle décrochable pour anneau pvc L=2000 (noir)	
	161104	Tringle décrochable pour anneau pvc L=2200 (noir)	
	161105	Tringle décrochable pour anneau pvc L=2400 (noir)	
	161106	Tringle décrochable pour anneau pvc L=2600 (noir)	
161107	Tringle décrochable pour anneau pvc L=2800 (noir)		
2	111469	Tringle décrochable L=1200 (noir)	pc
	111470	Tringle décrochable L=1400 (noir)	
	111471	Tringle décrochable L=1600 (noir)	
3	174514	Oillet d'attache cpl. D12 (RAL 9016)	pc
4	182827	Oillet d'attache cpl. D12 (RAL 7035)	pc
5	182828	Oillet d'attache avec hexagone cpl. SW10 (RAL 9016)	pc
6	103624	Oillet d'attache carré intérieur 8 x 8	pc
7	103640	Oillet d'attache carré intérieur 10 x 10	pc
8	182829	Oeillet pour manivelle amovible cpl. D10	pc

Einhängekurbeln Barra a manovella di sospens.

Pos	No. articolo	Denominazione	Quantità
1	161097	Berra a manovella di sospens. occhiello rotondo L=800 (nero)	pc
	161098	Berra a manovella di sospens. occhiello rotondo L=1000 (nero)	
	161099	Berra a manovella di sospens. occhiello rotondo L=1200 (nero)	
	161100	Berra a manovella di sospens. occhiello rotondo L=1400 (nero)	
	161101	Berra a manovella di sospens. occhiello rotondo L=1600 (nero)	
	161102	Berra a manovella di sospens. occhiello rotondo L=1800 (nero)	
	161103	Berra a manovella di sospens. occhiello rotondo L=2000 (nero)	
	161104	Berra a manovella di sospens. occhiello rotondo L=2200 (nero)	
	161105	Berra a manovella di sospens. occhiello rotondo L=2400 (nero)	
	161106	Berra a manovella di sospens. occhiello rotondo L=2600 (nero)	
161107	Berra a manovella di sospens. occhiello rotondo L=2800 (nero)		
2	111469	Barra a manovella di sospens. L=1200 (nero)	pc
	111470	Barra a manovella di sospens. L=1400 (nero)	
	111471	Barra a manovella di sospens. L=1600 (nero)	
3	174514	Anello di aggancio comp. D12 (RAL 9016)	pc
4	182827	Anello di aggancio comp. D12 (RAL 7035)	pc
5	182828	Anello di aggancio con hex comp. SW10 (RAL 9016)	pc
6	103624	Anello di aggancio quadrato interno 8 x 8	pc
7	103640	Anello di aggancio quadrato interno 10 x 10	pc
8	182829	Asola per manovella lavabile comp. D10	pc

Einhängekurbeln Manivela de suspensionés

Pos	No. artículo	Designación	Cantidad
1	161097	Manivela de suspensión para el anillo KS L=800 (negro)	pc
	161098	Manivela de suspensión para el anillo KS L=1000 (negro)	
	161099	Manivela de suspensión para el anillo KS L=1200 (negro)	
	161100	Manivela de suspensión para el anillo KS L=1400 (negro)	
	161101	Manivela de suspensión para el anillo KS L=1600 (negro)	
	161102	Manivela de suspensión para el anillo KS L=1800 (negro)	
	161103	Manivela de suspensión para el anillo KS L=2000 (negro)	
	161104	Manivela de suspensión para el anillo KS L=2200 (negro)	
	161105	Manivela de suspensión para el anillo KS L=2400 (negro)	
	161106	Manivela de suspensión para el anillo KS L=2600 (negro)	
161107	Manivela de suspensión para el anillo KS L=2800 (negro)		
2	111469	Manivela de suspensión L=1200 (negro)	pc
	111470	Manivela de suspensión L=1400 (negro)	
	111471	Manivela de suspensión L=1600 (negro)	
3	174514	Anillo colgante comp. D12 (RAL 9016)	pc
4	182827	Anillo colgante comp. D12 (RAL 7035)	pc
5	182828	Anillo colgante con hex comp. SW10 (RAL 9016)	pc
6	103624	Anillo colgante cuadrado interior 8 x 8	pc
7	103640	Anillo colgante cuadrado interior 10 x 10	pc
8	182829	Ojal para manivela levable comp. D10	pc