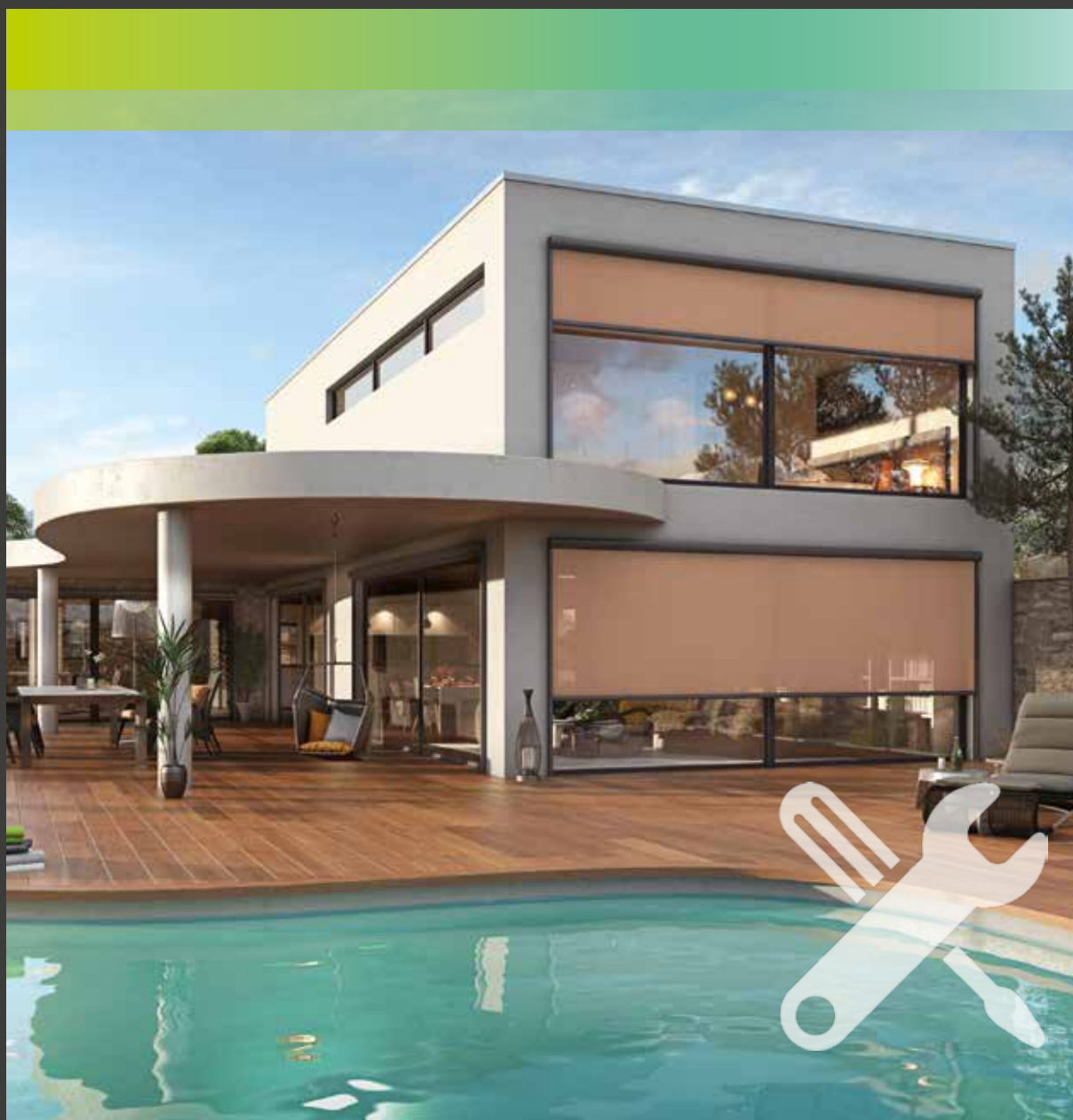


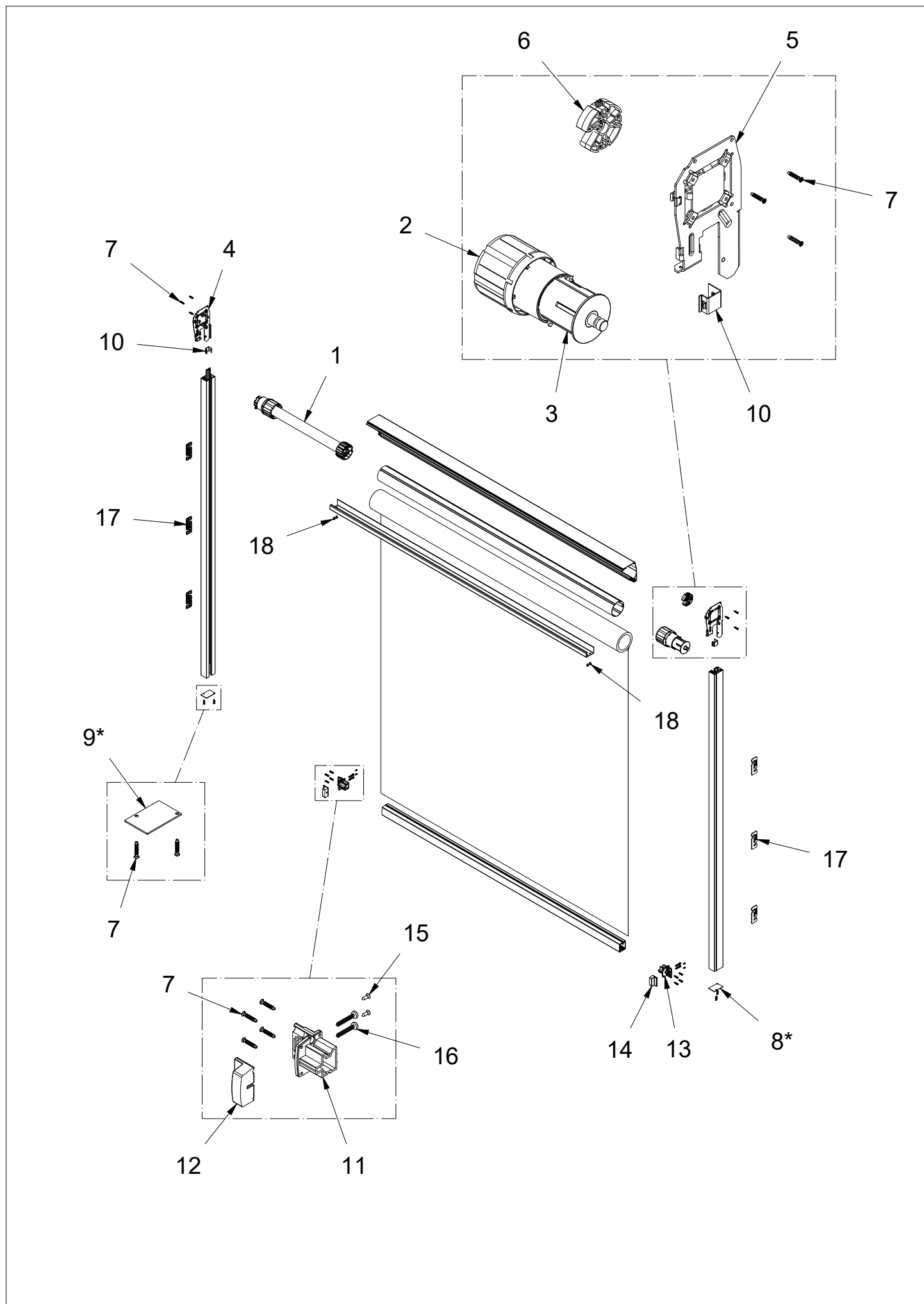
Service Components Catalogue

Solozip® II



Solozip II

Intro 95 Guidage-coulisse-fix par moteur



Solozip II Intro 95 Führungsschiene-Fix Motorantrieb

| Pos | Artikelnummer | Beschreibung | Menge |
|-----|----------------------------|--|-------|
| 1 | - | Motor | pc |
| 2 | 541802 | Walzenmuffe 70 | pc |
| 3 | 541759 | Walzenstift COM | pc |
| 4 | 541763 541849 542094 | Seitenteil Intro RE kpl. 95 Seitenteil Intro RE kpl. 95 SIMU Support Intro Mehrkopf RE kpl. 95 | pc |
| 5 | 541764 541848 542095 | Seitenteil Intro LI kpl. 95 Seitenteil Intro LI kpl. 95 SIMU Support Intro Mehrkopf LI kpl. 95 | pc |
| 6 | 541746 652519 154990 | Walzenlager COM Zyl-Schraube T20 M5x20 Inox Lisen-Bohrschr T20 3,9x10.5 Inox | pc |
| 7 | 652019 | Pilot-Schraube T10 3.5x19 TNT15 | pc |
| 8* | 521573 | Führungsendkappe LI | pc |
| 9* | 521572 | Führungsendkappe RE | pc |
| 10 | 521607 | Aufhängung kpl. | pc |
| 11 | 5009630000 | Fallstabendkappe Gelenk fix RE | pc |
| 12 | 500941 | Fallstabendkappe beweglich RE | pc |
| 13 | 5009620000 | Fallstabendkappe Gelenk fix LI | pc |
| 14 | 500942 | Fallstabendkappe beweglich LI | pc |
| 15 | 6525170000 | Senk-Schraube Kreuz Blech 2.9x9.5 Inox | pc |
| 16 | 652516 | Linsenkopf-Schraube T20 Ø 5x20 Inox BLK | pc |
| 17 | 521627 | Unterlage 80x30 | pc |
| 18 | 154933 | Zyl-Schraube T20 M4x6 Inox | pc |

* = Menge nur über Konfektionsmaterial bestellbar

Solozip II Intro 95 Guide-rail-fix motor driven

| Pos | Item No. | Denomination | Quantity |
|-----|----------------------------|--|----------|
| 1 | - | Engine + accessories | pc |
| 2 | 541802 | Tube sleeve 70 | pc |
| 3 | 541759 | Roller bolt COM | pc |
| 4 | 541763 541849 542094 | Side part Intro R cpl. 95 Side part Intro R cpl. 95 SIMU Support Intro multi head R cpl 95 | pc |
| 5 | 541764 541848 542095 | Side part Intro L cpl. 95 Side part Intro L cpl. 95 SIMU Support Intro multi head L cpl 95 | pc |
| 6 | 541746 652519 154990 | Roller bearing COM Cylinder head Screw T20 M5x20 Inox Lens head drilling screw T20 3.9x10.5 Inox | pc |
| 7 | 652019 | Pilot Screw T10 3.5x19 TNT15 | pc |
| 8* | 521573 | Guide end cap L | pc |
| 9* | 521572 | Guide end cap R | pc |
| 10 | 521607 | Suspension cpl. | pc |
| 11 | 5009630000 | End bar end cove joint fix R | pc |
| 12 | 500941 | End bar end cover movable R | pc |
| 13 | 5009620000 | End bar end cove joint fix L | pc |
| 14 | 500942 | End bar end cover movable L | pc |
| 15 | 6525170000 | Counters head Screw cross recess Self-tapping 2.9x9.5 Inox | pc |
| 16 | 652516 | Lenshaed Screw T20 Ø 5x20 Inox BLK | pc |
| 17 | 521627 | Basis 80x30 | pc |
| 18 | 154933 | Cylinder head Screw T20 M4x6 Inox | pc |

* = Quantity can only be ordered as confectionned material

Solozip II

Intro 95 Guidage-coulisse-fix par moteur

| Pos | N° Article | Désignation | Quantité |
|-----|----------------------------|---|----------|
| 1 | - | Moteur + accessoires | pc |
| 2 | 541802 | Manchon d'axe 70 | pc |
| 3 | 541759 | Tandem COM | pc |
| 4 | 541763 541849 542094 | Support Intro DR cpl. 95 Support Intro DR cpl. 95 SIMU Support Intro multitête DR cpl. 95 | pc |
| 5 | 541764 541848 542095 | Support Intro GA cpl. 95 Support Intro GA cpl. 95 SIMU Support Intro multitête GA cpl. 95 | pc |
| 6 | 541746 652519 154990 | Pièce COM Vis thermo tête cylindrique bombée 4x25 T20 Vis autoperceuses à tête bombée T20 3.9x10.5 Inox | pc |
| 7 | 652019 | Vis pilote T10 3.5x19 TNT15 | pc |
| 8* | 521573 | Embout de coulisse GA | pc |
| 9* | 521572 | Embout de coulisse DR | pc |
| 10 | 521607 | Pièce de suspension cpl. | pc |
| 11 | 5009630000 | Embout de BdC fix + joint DR | pc |
| 12 | 500941 | Embout de BdC amov. DR | pc |
| 13 | 5009620000 | Embout de BdC fix + joint GA | pc |
| 14 | 500942 | Embout de BdC amov. GA | pc |
| 15 | 6525170000 | Vis à tête fraisée cruciforme à tôle 2.9x9.5 Inox | pc |
| 16 | 652516 | Vis à tête bombée T20 Ø 5x20 Inox BRT | pc |
| 17 | 521627 | Cale 80x30 | pc |
| 18 | 154933 | Vis à tête cylindrique T20 M4x6 Inox | pc |

* = Quantité peut être commandé seulement comme matériel confectionné

Solozip II

Intro 95 Guida-scorrimento-fix via motore

| Pos | No. articolo | Denominazione | Quantità |
|-----|----------------------------|--|----------|
| 1 | - | Motore + accessori | pc |
| 2 | 541802 | Manicotto rulle 70 | pc |
| 3 | 541759 | Rullo COM | pc |
| 4 | 541763 541849 542094 | Supporto Intro DX comp. 95 Supporto Intro DX comp. 95 SIMU Supporto Intro multitesta DX comp. 95 | pc |
| 5 | 541764 541848 542095 | Supporto Intro SX comp. 95 Supporto Intro SX comp. 95 SIMU Supporto Intro multitesta SX comp. 95 | pc |
| 6 | 541746 652519 154990 | Cuscinetto rullo COM Vite cilindrica T20 M5x20 Inox Vite di perforazione a testa bombata T20 3,9x10.5 Inox | pc |
| 7 | 652019 | Vite pilote T10 3.5x19 TNT15 | pc |
| 8* | 521573 | Fine guida SX | pc |
| 9* | 521572 | Fine guida DX | pc |
| 10 | 521607 | Sospensione comp. | pc |
| 11 | 5009630000 | Terminale tappo terminale caduta fix DX | pc |
| 12 | 500941 | Terminale tappo terminale mobile DX | pc |
| 13 | 5009620000 | Terminale tappo terminale caduta fix SX | pc |
| 14 | 500942 | Terminale tappo terminale mobile SX | pc |
| 15 | 6525170000 | Vite testa svasata impr a cro autofiletanti 2.9x9.5 Inox | pc |
| 16 | 652516 | Vite a testa bombata T20 Ø 5x20 Inox LUC | pc |
| 17 | 521627 | Appoggio 80x30 | pc |
| 18 | 154933 | Vite cilindrica T20 M4x6 Inox | pc |

* = Quantità può essere ordinato solamente come materiale confezionato

Solozip II

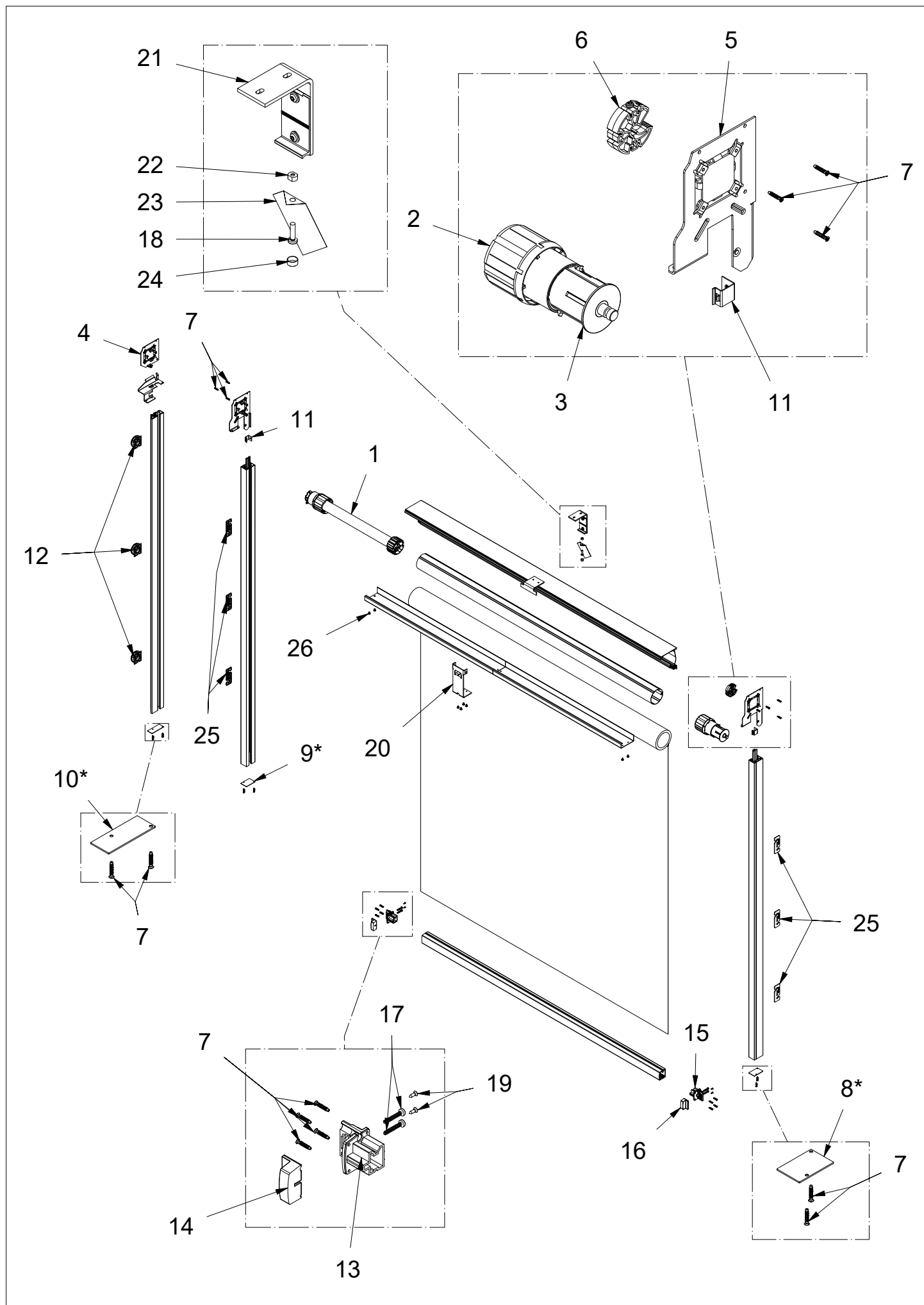
Intro 95 Guía-fix con motor

| Pos | No. artículo | Designación | Cantidad |
|-----|----------------------------|---|----------|
| 1 | - | Motor + accesorios | pc |
| 2 | 541802 | Manguito rodille 70 | pc |
| 3 | 541759 | Eje tándem COM | pc |
| 4 | 541763 541849 542094 | Soporte Intro DER comp. 95 Soporte Intro DER comp. 95 SIMU Soporte Intro multicabezal DER comp. 95 | pc |
| 5 | 541764 541848 542095 | Soporte Intro IZQ comp. 95 Soporte Intro IZQ comp. 95 SIMU Soporte Intro multicabezal IZQ comp. 95 | pc |
| 6 | 541746 652519 154990 | Cojinete rodillo COM Tornillo cilíndrica T20 M5x20 Inox Tornillo de taladro de cabeza convexa T20 3.9x10.5 Inox | pc |
| 7 | 652019 | Tornillo pilote T10 3.5x19 TNT15 | pc |
| 8* | 521573 | Tapa de guía IZQ | pc |
| 9* | 521572 | Tapa de guía DER | pc |
| 10 | 521607 | Suspensión comp. | pc |
| 11 | 5009630000 | Barra de carga tapón extremo caída fix DER | pc |
| 12 | 500941 | Barra de carga tapón extremo móvil DER | pc |
| 13 | 5009620000 | Barra de carga tapón extremo caída fix IZQ | pc |
| 14 | 500942 | Barra de carga tapón extremo móvil IZQ | pc |
| 15 | 6525170000 | Tornillo avellanado estrella autoperforante 2.9x9.5 Inox | pc |
| 16 | 652516 | Tornillo cabeza convexa T20 Ø 5x20 Inox BRIL | pc |
| 17 | 521627 | Base 80x30 | pc |
| 18 | 154933 | Tornillo cilíndrica T20 M4x6 Inox | pc |

* = Cantidad puede pedirse solamente a través de material ya confeccionado

Solozip II

Intro 100 Guidage-coulisse-fix par moteur



Solozip II Intro 100 Führungsschiene-Fix Motorantrieb

| Pos | Artikelnummer | Beschreibung | Menge |
|-----|--|--|----------------|
| 1 | - | Motor + Zubehör | pc |
| 2 | 541802 | Walzenmuffe 70 | pc |
| 3 | 541759 | Walzenstift COM | pc |
| 4 | 541823 541851 542096 541810 541855 542100 | Seitenteil Intro Standardschiene RE kpl. CS 100 Seitenteil Intro Standardschiene RE kpl. CS 100 SIMU Support Intro Mehrkopf RE kpl. CS 100 Seitenteil Intro Führungsschiene RE kpl. CE 100 Seitenteil Intro Führungsschiene RE kpl. CE 100 SIMU Support Intro Mehrkopf RE kpl. CE 100 | pc |
| 5 | 541822 541850 542097 541809 541854 542101 | Seitenteil Intro Standardschiene LI kpl. 100 Seitenteil Intro Standardschiene LI kpl. CS 100 SIMU Support Intro Mehrkopf LI kpl. CS 100 Seitenteil Intro Führungsschiene LI kpl. CE 100 Seitenteil Intro Führungsschiene LI kpl. CE 100 SIMU Support Intro Mehrkopf LI kpl. CE 100 | pc |
| 6 | 541746 652519 154990 | Walzenlager COM Pilot-Schraube T10 3.5x19 TNT15 Linsen-Bohrschr T20 3.9x10.5 Inox | pc pc pc |
| 7 | 652019 | Pilot-Schraube T10 3.5x19 TNT15 | pc |
| 8* | 521573 | Führungsendkappe LI | pc |
| 9* | 521572 | Führungsendkappe RE | pc |
| 10* | 521594 521595 | Führungsendkappe LI CE Führungsendkappe RE CE | pc |
| 11 | 521607 | Aufhängung kpl. | pc |
| 12 | 521590 | Montierte Einstellvorrichtung | pc |
| 13 | 5009630000 | Fallstabendkappe Gelenk fix RE | pc |
| 14 | 500941 | Fallstabendkappe beweglich RE | pc |
| 15 | 5009620000 | Fallstabendkappe Gelenk fix LI | pc |
| 16 | 500942 | Fallstabendkappe beweglich LI | pc |
| 17 | 652516 | Linsenkopf-Schraube T20 Ø 5x20 Inox BLK | pc |
| 18 | 6525190000 | Zyl-Schraube T20 M5x20 Inox | pc |
| 19 | 6525170000 | Senk-Schraube Kreuz Blech 2.9x9.5 Inox | pc |
| 20 | 541827 | Zwischenstütze Untersicht montiert Intro 100 | pc |
| 21 | 541729 541789 541795 | Zwischenstütze Box 100 Befestigungswinkel NO 100 Befestigungswinkel NO 100 - Hirschmann | pc |

Solozip II

Intro 100 Führungsschiene-Fix Motorantrieb

| Pos | Artikelnummer | Beschreibung | Menge |
|-----|---------------|--------------------------------|-------|
| 22 | 652528 | Si-Mutter M5 Inox | pc |
| 23 | 590165 | Aufkleber "Schrauben anziehen" | pc |
| 24 | 620166 | Abdeckkappe | pc |
| 25 | 521627 | Unterlage 80x30 | pc |
| 26 | 154933 | Zyl-Schraube T20 M4x6 Inox | pc |

* = Menge nur über Konfektionsmaterial bestellbar

Solozip II Intro 100 Guide-rail-fix motor driven

| Pos | Item No. | Denomination | Quantity |
|-----|--|--|----------------|
| 1 | - | Engine + accessories | pc |
| 2 | 541802 | Tube sleeve 70 | pc |
| 3 | 541759 | Roller bolt COM | pc |
| 4 | 541823 541851 542096 541810 541855 542100 | Side part Intro standard rail R cpl. 100 Side part Intromotor R cpl. 100 SIMU Support Intro multi head R cpl. CS 100 Support Intro recessed guide rail R cpl. 100 Side part Intro R cpl. 100 CE SIMU Support intro multi head R cpl. CE 100 | pc |
| 5 | 541822 541850 542097 541809 541854 542101 | Side part Intro standard rail L cpl. 100 Side part Intromotor L cpl. 100 SIMU Support Intro multi head L cpl. CS 100 Support Intro recessed guide rail L cpl. 100 Side part Intro L cpl. 100 CE SIMU Support intro multi head L cpl. CE 100 | pc |
| 6 | 541746 652519 154990 | Roller bearing COM Cylinder head Screw T20 M5x20 Inox Lens head drilling screw T20 3.9x10.5 Inox | pc pc pc |
| 7 | 652019 | Pilot Screw T10 3.5x19 TNT15 | pc |
| 8* | 521573 | Guide end cap L | pc |
| 9* | 521572 | Guide end cap R | pc |
| 10* | 521594 521595 | Guide end cap R CE Guide end cap L CE | pc |
| 11 | 521607 | Suspension cpl. | pc |
| 12 | 521590 | Mounted adjuster | pc |
| 13 | 5009630000 | End bar end cove joint fix R | pc |
| 14 | 500941 | End bar end cover movable R | pc |
| 15 | 5009620000 | End bar end cove joint fix L | pc |
| 16 | 500942 | End bar end cover movable L | pc |
| 17 | 652516 | Lenshaed Screw T20 Ø 5x20 Inox BLK | pc |
| 18 | 6525190000 | Cylinder head Screw T20 M5x20 Inox | pc |
| 19 | 6525170000 | Counters head Screw cross recess Self-tapping 2.9x9.5 Inox | pc |
| 20 | 541827 | Intermediate support bottom sheet mounted Intro 100 | pc |
| 21 | 541729 541789 541795 | Intermediate bracket Box 100 Bracket mounted for ceiling 100 Bracket mounted for ceiling 100 - Hirschmann | pc |

Solozip II

Intro 100 Guide-rail-fix motor driven

| Pos | Item No. | Denomination | Quantity |
|-----|----------|--|----------|
| 22 | 652528 | Prevailing torque type locking nut M5 Inox | pc |
| 23 | 590165 | Label "screw tightening" | pc |
| 24 | 620166 | Cover cap | pc |
| 25 | 521627 | Basis 80x30 | pc |
| 26 | 154933 | Cylinder head Screw T20 M4x6 Inox | pc |

* = Quantity can only be ordered as confectioned material

Solozip II Intro 100 Guidage-coulisse-fix par moteur

| Pos | N° Article | Désignation | Quantité |
|-----|--|--|----------------|
| 1 | - | Moteur + accessoires | pc |
| 2 | 541802 | Manchon d'axe 70 | pc |
| 3 | 541759 | Tandem COM | pc |
| 4 | 541823 541851 542096 541810 541855 542100 | Support Intro coulisses standard DR cpl. 100 Support Intro coulisses standard DR cpl. 100 SIMU Support Intro coulisses standard multîtête DR cpl. 100 Support Intro coulisses encastrées DR cpl. 100 Support Intro coulisses encastrées DR cpl. 100 SIMU Support Intro coulisses encastrées multîtête DR cpl. 100 | pc |
| 5 | 541822 541850 542097 541809 541854 542101 | Support Intro coulisses standard GA cpl. 100 Support Intro coulisses standard GA cpl. 100 SIMU Support Intro coulisses standard multîtête GA cpl. 100 Support Intro coulisses encastrées GA cpl. 100 Support Intro coulisses encastrées GA cpl. 100 SIMU Support Intro coulisses encastrées multîtête GA cpl. 100 | pc |
| 6 | 541746 652519 154990 | Pièce COM Vis thermo tête cylindrique bombée 4x25 T20 Vis autoperceuses à tête bombée T20 3.9x10.5 Inox | pc pc pc |
| 7 | 652019 | Vis pilote T10 3.5x19 TNT15 | pc |
| 8* | 521573 | Embout de coulisse GA | pc |
| 9* | 521572 | Embout de coulisse DR | pc |
| 10* | 521594 521595 | Embout de coulisse GA CE Embout de coulisse DR CE | pc |
| 11 | 521607 | Pièce de suspension cpl. | pc |
| 12 | 521590 | Plot de réglages monté | pc |
| 13 | 5009630000 | Embout de BdC fix + joint DR | pc |
| 14 | 500941 | Embout de BdC amov. DR | pc |
| 15 | 5009620000 | Embout de BdC fix + joint GA | pc |
| 16 | 500942 | Embout de BdC amov. GA | pc |
| 17 | 652516 | Vis à tête bombée T20 Ø 5x20 Inox BRT | pc |
| 18 | 6525190000 | Vis à tête cylindrique T20 M5x20 Inox | pc |
| 19 | 6525170000 | Vis à tête fraisée cruciforme à tôle 2.9x9.5 Inox | pc |
| 20 | 541827 | Support interm. sous face monté Intro 100 | pc |
| 21 | 541729 541789 541795 | Equerre pose face 100 Equerre pose plafond montée 100 Equerre pose plafond montée 100 - Hirschmann | pc |

Solozip II

Intro 100 Guidage-coulisse-fix par moteur

| Pos | N° Article | Désignation | Quantité |
|-----|------------|--------------------------------------|----------|
| 22 | 652528 | Ecrou autofreinés M5 Inox | pc |
| 23 | 590165 | Etiquette "serrage vis" | pc |
| 24 | 620166 | Cache tête de vis | pc |
| 25 | 521627 | Cale 80x30 | pc |
| 26 | 154933 | Vis à tête cylindrique T20 M4x6 Inox | pc |

* = Quantité peut être commandé seulement comme matériel confectioné

Solozip II

Intro 100 Guida-scorrimento-fix via motore

| Pos | No. articolo | Denominazione | Quantità |
|-----|--------------|---|----------|
| 1 | - | Motore + accessori | pc |
| 2 | 541802 | Manicotto rulle 70 | pc |
| 3 | 541759 | Rullo COM | pc |
| 4 | 541823 | Parte laterale Intro Guida standard DX comp. 100 | pc |
| | 541851 | Parte laterale Intromotor DX comp. 100 SIMU | |
| | 542096 | Supporto Intro multitesta DX comp. CS 100 | |
| | 541810 | Supporto Intro guida emportada DX comp. 100 | |
| | 541855 | Supporto intro DX comp. 100 CE SIMU | |
| | 542100 | Supporto Intro multitesta DX comp. CE 100 | |
| 5 | 541822 | Parte laterale Intro Guida standard SX comp. 100 | pc |
| | 541850 | Parte laterale Intromotor SX comp. 100 SIMU | |
| | 542097 | Supporto Intro multitesta SX comp. CS 100 | |
| | 541809 | Supporto Intro guida emportada SX comp. 100 | |
| | 541854 | Supporto intro SX comp. 100 CE SIMU | |
| | 542101 | Supporto Intro multitesta SX comp. CE 100 | |
| 6 | 541746 | Cuscinetto rullo COM | pc |
| | 652519 | Vite cilindrica T20 M5x20 Inox | pc |
| | 154990 | Vite di perforazione a testa bombata T20 3.9x10.5 Inox | pc |
| 7 | 652019 | Vite pilote T10 3.5x19 TNT15 | pc |
| 8* | 521573 | Fine guida SX | pc |
| 9* | 521572 | Fine guida DX | pc |
| 10* | 521594 | Fine guida DX CE | pc |
| | 521595 | Fine guida SX CE | |
| 11 | 521607 | Sospensione comp. | pc |
| 12 | 521590 | Regolatore montato | pc |
| 13 | 5009630000 | Terminale tappo terminale caduta fix DX | pc |
| 14 | 500941 | Terminale tappo terminale mobile DX | pc |
| 15 | 5009620000 | Terminale tappo terminale caduta fix SX | pc |
| 16 | 500942 | Terminale tappo terminale mobile SX | pc |
| 17 | 652516 | Vite a testa bombata T20 Ø 5x20 Inox LUC | pc |
| 18 | 6525190000 | Vite cilindrica T20 M5x20 Inox | pc |
| 19 | 6525170000 | Vite testa svasata impr a cro autofiletanti 2.9x9.5 Inox | pc |
| 20 | 541827 | Supporto intermedio piastra di soffitto montato Intro 100 | pc |
| 21 | 541729 | Soporte interledio Box 100 | pc |
| | 541789 | Fissaggio per soffitto 100 | |
| | 541795 | Fissaggio per soffitto 100 - Hirschmann | |

Solozip II

Intro 100 Guida-scorrimento-fix via motore

| Pos | No. articolo | Denominazione | Quantità |
|-----|--------------|-------------------------------|----------|
| 22 | 652528 | Dado autofrenanti M5 Inox | pc |
| 23 | 590165 | Etichetta "Serraggio viti" | pc |
| 24 | 620166 | Calotta per coprire | pc |
| 25 | 521627 | Appoggio 80x30 | pc |
| 26 | 154933 | Vite cilindrica T20 M4x6 Inox | pc |

* = Quantità può essere ordinato solamente come materiale confezionato

Solozip II

Intro 100 Guía-fix con motor

| Pos | No. artículo | Designación | Cantidad |
|-----|--|---|----------------|
| 1 | - | Motor + accesorios | pc |
| 2 | 541802 | Manguito rodille 70 | pc |
| 3 | 541759 | Eje tándem COM | pc |
| 4 | 541823 541851 542096 541810 541855 542100 | Parte lateral Intro Guida estandar DER comp. CS 100 Soporte Intro motor DER comp. CS 100 SIMU Soporte Intro multicabezal DER comp. CS 100 Soporte Intro guida emportada DER comp. CE 100 Soporte Intro DER comp. CE 100 SIMU Soporte Intro multicabezal DER comp. CE 100 | pc |
| 5 | 541822 541850 542097 541809 541854 542101 | Parte lateral Intro Guida estandar IZQ comp. CS 100 Soporte Intro motor IZQ comp. CS 100 SIMU Soporte Intro multicabezal IZQ comp. CS 100 Soporte Intro guida emportada IZQ comp. CE 100 Soporte Intro IZQ comp. 100 CE SIMU Soporte Intro multicabezal IZQ comp. CE 100 | pc |
| 6 | 541746 652519 154990 | Cojinete rodillo COM Tornilio cilíndrica T20 M5x20 Inox Tornilo de taladro de cabeza convexa T20 3.9x10.5 Inox | pc pc pc |
| 7 | 652019 | Tornillo pilote T10 3.5x19 TNT15 | pc |
| 8* | 521573 | Tapa de guía IZQ | pc |
| 9* | 521572 | Tapa de guía DER | pc |
| 10* | 521594 521595 | Tapa de guía DER CE Tapa de guía IZQ CE | pc |
| 11 | 521607 | Suspensión comp. | pc |
| 12 | 521590 | Ajustador montado | pc |
| 13 | 5009630000 | Barra de carga tapón extremo caída fix DER | pc |
| 14 | 500941 | Barra de carga tapón extremo móvil DER | pc |
| 15 | 5009620000 | Barra de carga tapón extremo caída fix IZQ | pc |
| 16 | 500942 | Barra de carga tapón extremo móvil IZQ | pc |
| 17 | 652516 | Tornillo cabeza convexa T20 Ø 5x20 Inox BRIL | pc |
| 18 | 6525190000 | Tornillo cilíndrica T20 M5x20 Inox | pc |
| 19 | 6525170000 | Tornillo avellanado estrella autoperforante 2.9x9.5 Inox | pc |
| 20 | 541827 | Soporte intermedio placa de plafón montado Intro 100 | pc |
| 21 | 541729 541789 541795 | Suporte intermedio Box 100 Soporte para instalación techo 100 Soporte para instalación techo 100 - Hirschmann | pc |

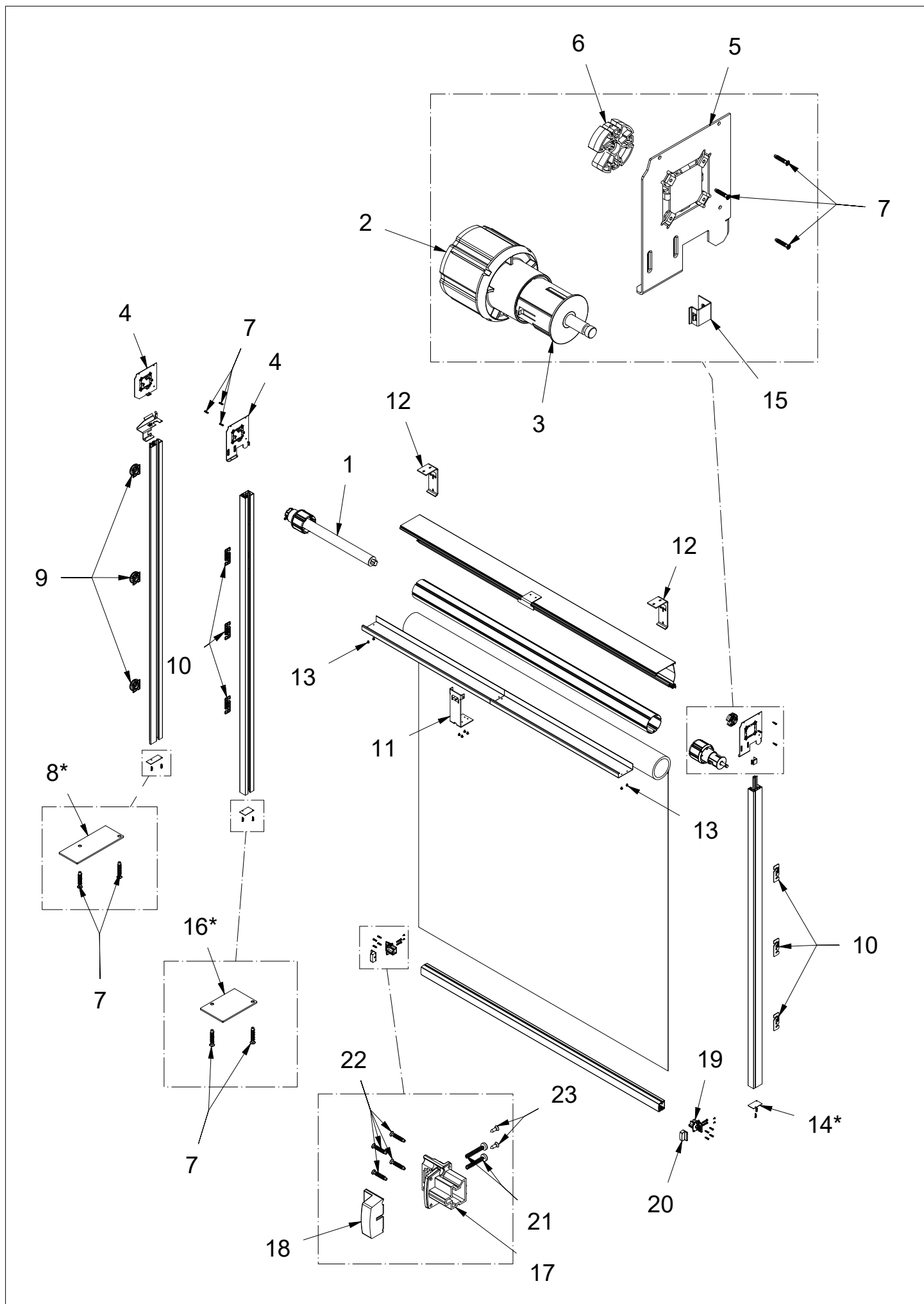
Solozip II

Intro 100 Guía-fix con motor

| Pos | No. artículo | Designación | Cantidad |
|-----|--------------|-----------------------------------|----------|
| 22 | 652528 | Tuerca autofrenado M5 Inox | pc |
| 23 | 590165 | Etiqueta "Apretando tornillos" | pc |
| 24 | 620166 | Tapa de protección | pc |
| 25 | 521627 | Base 80x30 | pc |
| 26 | 154933 | Tornillo cilíndrica T20 M4x6 Inox | pc |

* = Cantidad puede pedirse solamente a traves de material ya confeccionado

Solozip II Intro 130 Guidage-coulisse-conv. par moteur



Solozip II Intro 130 Führungsschiene-Konv. Motorantrieb

| Pos | Artikelnummer | Beschreibung | Menge |
|-----|---------------|--|-------|
| 1 | - | Motor + Zubehör | pc |
| 2 | 541803 | Walzenmuffe Kunststoff Ø85 | pc |
| | 541804 | Walzenmuffe Kunststoff Ø100 | |
| 3 | 541759 | Walzenstift COM | pc |
| 4 | 541825 | Seitenteil Intro Standardschiene RE kpl. CS 130 | pc |
| | 541853 | Seitenteil Intro Standardschiene RE kpl. CS 130 SIMU | |
| | 542098 | Support Intro Mehrkopf RE kpl. CS 130 | |
| | 541812 | Seitenteil Intro Führungsschiene RE kpl. CE 130 | |
| | 541857 | Seitenteil Intro Führungsschiene RE kpl. CE 130 SIMU | |
| | 542102 | Support Intro Mehrkopf RE kpl. CE 130 | |
| 5 | 541824 | Seitenteil Intro Standardschiene LI kpl. 130 | pc |
| | 541852 | Seitenteil Intro Standardschiene LI kpl. CS 130 SIMU | |
| | 542099 | Support Intro Mehrkopf LI kpl. CS 130 | |
| | 541811 | Seitenteil Intro Führungsschiene LI kpl. CE 130 | |
| | 541856 | Seitenteil Intro Führungsschiene LI kpl. CE 130 SIMU | |
| | 542103 | Support Intro Mehrkopf LI kpl. CE 130 | |
| 6 | 541746 | Walzenlager COM | pc |
| | 652519 | Pilot-Schraube T10 3.5x19 TNT15 | |
| | 154990 | Linsen-Bohrschr T20 3.9x10.5 Inox | |
| 7 | 652019 | Pilot-Schraube T10 3.5x19 TNT15 | pc |
| 8* | 521594 | Embout de coulisse RE CE | pc |
| | 521595 | Embout de coulisse LI CE | |
| 9 | 521590 7035 | Montierte Einstellvorrichtung | pc |
| 10 | 521627 | Unterlage 80x30 | pc |
| 11 | 541826 | Zwischenstütze Untersicht montiert Intro 130 | pc |
| 12 | 541816 | Seitenteil Intro 130 - CE | pc |
| | 541828 | Seitenteil Intro 130 - CS | |
| 13 | 154933 | Zyl-Schraube T20 M4x6 Inox | pc |
| 14* | 521573 | Führungsendkappe LI | pc |
| 15 | 521607 | Aufhängung kpl. | pc |
| 16* | 521572 | Führungsendkappe RE | pc |
| 17 | 5009630000 | Fallstabendkappe Gelenk fix RE | pc |
| 18 | 500941 | Fallstabendkappe beweglich RE | pc |
| 19 | 500962 | Fallstabendkappe Gelenk fix | pc |
| 20 | 500942 | Fallstabendkappe beweglich LI | pc |

Solozip II

Intro 130 Führungsschiene-Konv. Motorantrieb

| Pos | Artikelnummer | Beschreibung | Menge |
|-----|---------------|---|-------|
| 21 | 652516 | Linsenkopf-Schraube T20 Ø 5x20 Inox BLK | pc |
| 22 | 652019 | Pilot-Schraube T10 3.5x19 TNT15 | pc |
| 23 | 6525170000 | Senk-Schraube Kreuz Blech 2.9x9.5 Inox | pc |

* = Menge nur über Konfektionsmaterial bestellbar

Solozip II

Intro 130 Guide-rail-conv. motor driven

| Pos | Item No. | Denomination | Quantity |
|-----|-------------|---|----------|
| 1 | - | Engine + accessories | pc |
| 2 | 541803 | Tube sleeve plastic Ø85 | pc |
| | 541804 | Tube sleeve plastic Ø100 | |
| 3 | 541759 | Roller bolt COM | pc |
| 4 | 541825 | Side part Intro standard rail R cpl. 130 | pc |
| | 541853 | Side part Intromotor R cpl. 130 SIMU | |
| | 542098 | Support Intro multi head R cpl. CS 130 | |
| | 541812 | Support Intro recessed guide rail R cpl. 130 | |
| | 541857 | Side part Intro R cpl. 130 CE SIMU | |
| | 542102 | Support intro multi head R cpl. CE 130 | |
| 5 | 541824 | Side part Intro standard rail L cpl. 130 | pc |
| | 541852 | Side part Intromotor L cpl. 130 SIMU | |
| | 542099 | Support Intro multi head L cpl. CS 130 | |
| | 541811 | Support Intro recessed guide rail L cpl. 130 | |
| | 541856 | Side part Intro L cpl. 130 CE SIMU | |
| | 542103 | Support intro multi head L cpl. CE 130 | |
| 6 | 541746 | Roller bearing COM | pc |
| | 652519 | Cylinder head Screw T20 M5x20 Inox | |
| | 154990 | Lens head drilling screw T20 3.9x10.5 Inox | |
| 7 | 652019 | Pilot Screw T10 3.5x19 TNT15 | pc |
| 8* | 521594 | Guide end cap R CE | pc |
| | 521595 | Guide end cap L CE | |
| 9 | 521590 7035 | Mounted adjuster | pc |
| 10 | 521627 | Basis 80x30 | pc |
| 11 | 541826 | Intermediate support bottom sheet mounted Intro 130 | pc |
| 12 | 541816 | Side part Intro 130 - CE | pc |
| | 541828 | Side part Intro 130 - CS | |
| 13 | 154933 | Cylinder head Screw T20 M4x6 Inox | pc |
| 14* | 521573 | Guide end cap L | pc |
| 15 | 521607 | Suspension cpl. | pc |
| 16* | 521572 | Guide end cap R | pc |
| 17 | 5009630000 | End bar end cove joint fix R | pc |
| 18 | 500941 | End bar end cover movable R | pc |
| 19 | 500962 | End bar end cove joint fix | pc |
| 20 | 500942 | End bar end cover movable L | pc |

Solozip II

Intro 130 Guide-rail-conv. motor driven

| Pos | Item No. | Denomination | Quantity |
|-----|------------|--|----------|
| 21 | 652516 | Lenshaed Screw T20 Ø 5x20 Inox BLK | pc |
| 22 | 652019 | Pilot Screw T10 3.5x19 TNT15 | pc |
| 23 | 6525170000 | Counters head Screw cross recess Self-tapping 2.9x9.5 Inox | pc |

* = Quantity can only be ordered as confectionned material

Solozip II Intro 130 Guidage-coulisse-conv. par moteur

| Pos | N° Article | Désignation | Quantité |
|-----|--|--|----------|
| 1 | - | Moteur + Accessoires | pc |
| 2 | 541803 541804 | Manchon d'axe synthétique Ø85 Manchon d'axe synthétique Ø100 | pc |
| 3 | 541759 | Tandem COM | pc |
| 4 | 541825 541853 542098 541812 541857 542102 | Support Intro coulisses standard DR cpl. 130 Support Intro coulisses standard DR cpl. 130 SIMU Support Intro coulisses standard multîtête DR cpl. 130 Support Intro coulisses encastrées DR cpl. 130 Support Intro coulisses encastrées DR cpl. 130 SIMU Support Intro coulisses encastrées multîtête DR cpl. 130 | pc |
| 5 | 541824 541852 542099 541811 541856 542103 | Support Intro coulisses standard GA cpl. 130 Support Intro coulisses standard GA cpl. 130 SIMU Support Intro coulisses standard multîtête GA cpl. 130 Support Intro coulisses encastrées GA cpl. 130 Support Intro coulisses encastrées GA cpl. 130 SIMU Support Intro coulisses encastrées multîtête GA cpl. 130 | pc |
| 6 | 541746 652519 154990 | Pièce COM Vis thermo tête cylindrique bombée 4x25 T20 Vis autoperceuses à tête bombée T20 3.9x10.5 Inox | pc |
| 7 | 652019 | Vis pilote T10 3.5x19 TNT15 | pc |
| 8* | 521594 521595 | Embout de coulisse GA CE Embout de coulisse DR CE | pc |
| 9 | 521590 7035 | Plot de réglages monté | pc |
| 10 | 521627 | Cale 80x30 | pc |
| 11 | 541826 | Support interm. sous face monté Intro 130 | pc |
| 12 | 541816 541828 | Support Intro 130 - CE Support Intro 130 - CS | pc |
| 13 | 154933 | Vis à tête cylindrique T20 M4x6 Inox | pc |
| 14* | 521573 | Embout de coulisse GA | pc |
| 15 | 521607 | Pièce de suspension cpl. | pc |
| 16* | 521572 | Embout de coulisse DR | pc |
| 17 | 5009630000 | Embout de BdC fix + joint DR | pc |
| 18 | 500941 | Embout de BdC amov. DR | pc |
| 19 | 500962 | Embout de BdC fix + joint GA | pc |
| 20 | 500942 | Embout de BdC amov. GA | pc |

Solozip II

Intro 130 Guidage-coulisse-conv. par moteur

| Pos | N° Article | Désignation | Quantité |
|-----|------------|---|----------|
| 21 | 652516 | Vis à tête bombée T20 Ø 5x20 Inox BRT | pc |
| 22 | 652019 | Vis pilote T10 3.5x19 TNT15 | pc |
| 23 | 6525170000 | Vis à tête fraisée cruciforme à tôle 2.9x9.5 Inox | pc |

* = Quantité peut être commandé seulement comme matériel confectioné

Solozip II

Intro 130 Guida-scorrimento-conv. via motore

| Pos | No. articolo | Denominazione | Quantità |
|-----|--|---|----------|
| 1 | - | Motore + accessori | pc |
| 2 | 541803 541804 | Manicotto rulle plastico Ø85 Manicotto rulle plastico Ø100 | pc |
| 3 | 541759 | Rullo COM | pc |
| 4 | 541825 541853 542098 541812 541857 542102 | Parte laterale Intro Guida standard DX comp. 130 Parte laterale Intromotor DX comp. 130 SIMU Supporto Intro multitesta DX comp. CS 130 Supporto Intro guida emportada DX comp. 130 Supporto intro DX comp. 130 CE SIMU Supporto Intro multitesta DX comp. CE 130 | pc |
| 5 | 541824 541852 542099 541811 541856 542103 | Parte laterale Intro Guida standard SX comp. 130 Parte laterale Intromotor SX comp. 130 SIMU Supporto Intro multitesta SX comp. CS 130 Supporto Intro guida emportada SX comp. 130 Supporto intro SX comp. 130 CE SIMU Supporto Intro multitesta SX comp. CE 130 | pc |
| 6 | 541746 652519 154990 | Cuscinetto rullo COM Vite cilindrica T20 M5x20 Inox Vite di perforazione a testa bombata T20 3.9x10.5 Inox | pc |
| 7 | 652019 | Vite pilote T10 3.5x19 TNT15 | pc |
| 8* | 521594 521595 | Fine guida DX CE Fine guida SX CE | pc |
| 9 | 521590 7035 | Regolatore montato | pc |
| 10 | 521627 | Appoggio 80x30 | pc |
| 11 | 541826 | Supporto intermedio piastra di soffitto montato Intro 130 | pc |
| 12 | 541816 541828 | Supporto Intro 130 - CE Supporto Intro 130 - CS | pc |
| 13 | 154933 | Vite cilindrica T20 M4x6 Inox | pc |
| 14* | 521573 | Fine guida SX | pc |
| 15 | 521607 | Sospensione comp. | pc |
| 16* | 521572 | Fine guida DX | pc |
| 17 | 5009630000 | Terminale tappo terminale caduta fix DX | pc |
| 18 | 500941 | Terminale tappo terminale mobile DX | pc |
| 19 | 500962 | Terminale tappo terminale caduta fix | pc |
| 20 | 500942 | Terminale tappo terminale mobile SX | pc |

Solozip II

Intro 130 Guida-scorrimento-conv. via motore

| Pos | No. articolo | Denominazione | Quantità |
|-----|--------------|--|----------|
| 21 | 652516 | Vite a testa bombata T20 Ø 5x20 Inox LUC | pc |
| 22 | 652019 | Vite pilote T10 3.5x19 TNT15 | pc |
| 23 | 6525170000 | Vite testa svasata impr a cro autofiletanti 2.9x9.5 Inox | pc |

* = Quantità può essere ordinato solamente come materiale confezionato

Solozip II Intro 130 Guía-conv. con motor

| Pos | No. artículo | Designación | Cantidad |
|-----|--|---|----------|
| 1 | - | Motor + accesorios | pc |
| 2 | 541803 541804 | Manguito rodille plástico Ø85 | pc |
| 3 | 541759 | Eje tándem COM | pc |
| 4 | 541825 541853 542098 541812 541857 542102 | Parte lateral Intro Guida estandar DER comp. CS 130 Soporte Intro motor DER comp. CS 130 SIMU Soporte Intro multicabezal DER comp. CS 130 Soporte Intro guida emportada DER comp. CE 130 Soporte Intro DER comp. CE 130 SIMU Soporte Intro multicabezal DER comp. CE 130 | pc |
| 5 | 541824 541852 542099 541811 541856 542103 | Parte lateral Intro Guida estandar IZQ comp. CS 130 Soporte Intro motor IZQ comp. CS 130 SIMU Soporte Intro multicabezal IZQ comp. CS 130 Soporte Intro guida emportada IZQ comp. CE 130 Soporte Intro IZQ comp. CE 130 SIMU Soporte Intro multicabezal IZQ comp. CE 130 | pc |
| 6 | 541746 652519 154990 | Cojinete rodillo COM Tornillo cilíndrica T20 M5x20 Inox Tornillo de taladro de cabeza convexa T20 3.9x10.5 Inox | pc |
| 7 | 652019 | Tornillo pilote T10 3.5x19 TNT15 | pc |
| 8* | 521594 521595 | Tapa de guía DER CE Tapa de guía IZQ CE | pc |
| 9 | 521590 7035 | Ajustador montado | pc |
| 10 | 521627 | Base 80x30 | pc |
| 11 | 541826 | Soporte intermedio placa de plafón montado Intro 130 | pc |
| 12 | 541816 541828 | Soporte Intro 130 - CE Soporte Intro 130 - CS | pc |
| 13 | 154933 | Tornillo cilíndrica T20 M4x6 Inox | pc |
| 14* | 521573 | Tapa de guía IZQ | pc |
| 15 | 521607 | Suspensión comp. | pc |
| 16* | 521572 | Tapa de guía DER | pc |
| 17 | 5009630000 | Barra de carga tapón extremo caída fix DER | pc |
| 18 | 500941 | Barra de carga tapón extremo móvil DER | pc |
| 19 | 500962 | Barra de carga tapón extremo caída fix | pc |
| 20 | 500942 | Barra de carga tapón extremo móvil IZQ | pc |

Solozip II

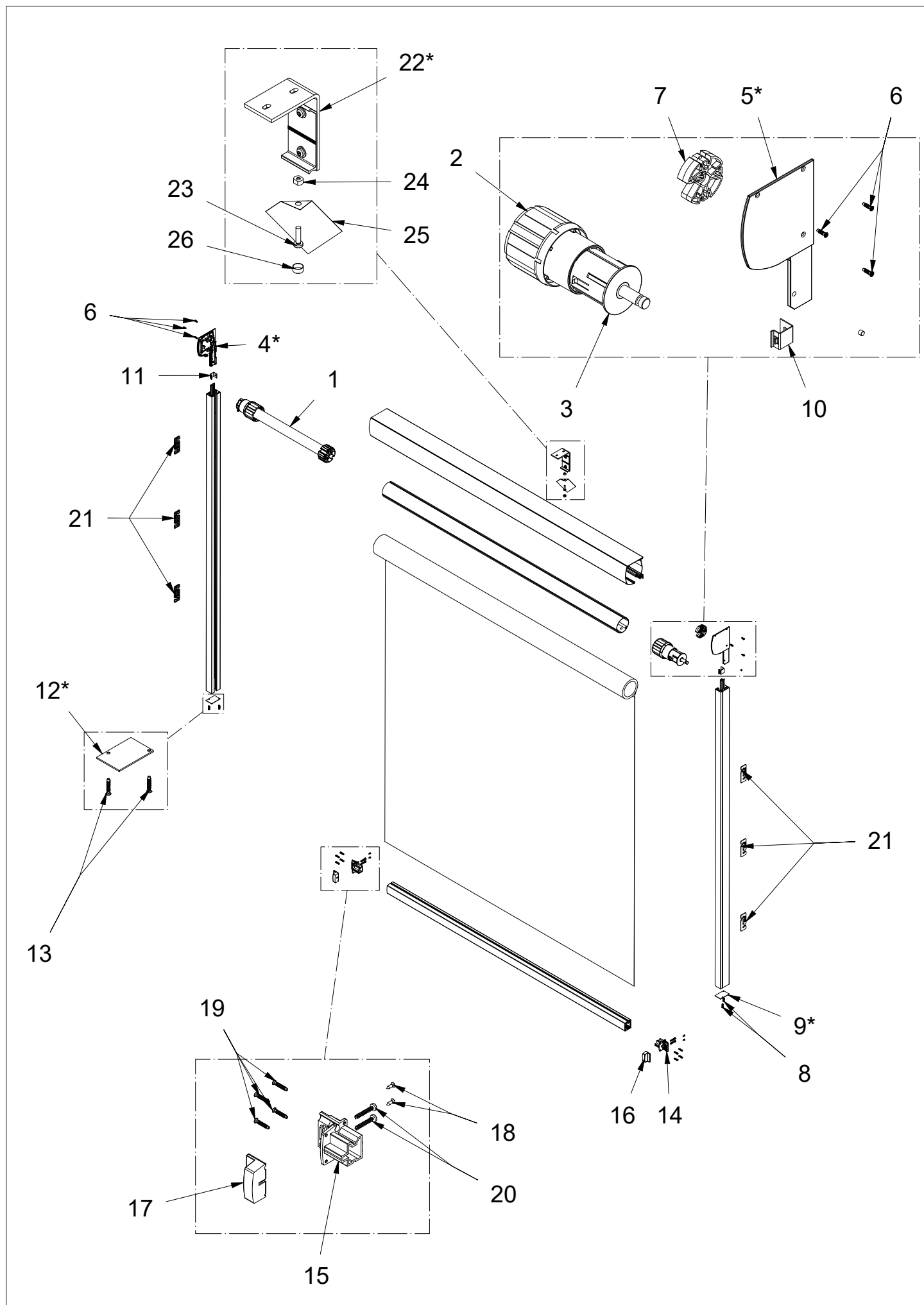
Intro 130 Guía-conv. con motor

| Pos | No. artículo | Designación | Cantidad |
|-----|--------------|--|----------|
| 21 | 652516 | Tornillo cabeza convexa T20 Ø 5x20 Inox BRIL | pc |
| 22 | 652019 | Tornillo pilote T10 3.5x19 TNT15 | pc |
| 23 | 6525170000 | Tornillo avellanado estrella autoperforante 2.9x9.5 Inox | pc |

* = Cantidad puede pedirse solamente a traves de material ya confeccionado

Solozip II

Box 100 Guidage-coulisse-fix par moteur



Solozip II

Box 100 Führungsschiene-Fix Motorantrieb

| Pos | Artikelnummer | Beschreibung | Menge |
|-----|---------------|--|-------|
| 1 | - | Motor + Zubehör | pc |
| 2 | 541802 | Walzenmuffe 70 | pc |
| 3 | 541759 | Walzenstift COM | pc |
| 4* | 541765 | Kastenendstück Design RE kpl. 100 | pc |
| | 541841 | Kastenendstück Design RE kpl. 100 SIMU | |
| | 542104 | Kastenendstück Design Mehrkopf RE kpl. 100 | |
| | 541784 | Kastenverschluss RE C 100 | |
| | 541845 | Kastenendstück Motor kpl. 100 SIMU | |
| | 542108 | Kastenendstück eckig Mehrkopf kpl. 100 | |
| 5* | 541766 | Kastenendstück Design LI kpl. 100 | pc |
| | 541840 | Kastenendstück Design LI kpl. 100 SIMU | |
| | 542105 | Kastenendstück Design Mehrkopf LI kpl. 100 | |
| | 541783 | Kastenverschluss LI C 100 | |
| | 541844 | Kastenendstück Motor kpl. 100 SIMU | |
| | 542109 | Kastenendstück eckig Mehrkopf kpl. 100 | |
| 6 | 652005 | Senk-Schr T10 M3x13 Inox | 6 |
| 7 | 541746 | Walzenlager COM | pc |
| | 652516 | Linsenkopf-Schraube T20 Ø5x20 Inox BLK | |
| | 154990 | Linsen-Bohrschr T20 3.9x10.5 Inox | |
| 8 | 652019 | Pilot-Schraube T10 3.5x19 TNT15 | 3 |
| 9* | 521573 | Führungsendkappe LI | pc |
| 10 | 521607 | Aufhängung kpl. | |
| 11 | 521607 | Aufhängung kpl. | |
| 12* | 521572 | Führungsendkappe RE | pc |
| 13 | 652019 | Pilot-Schraube T10 3.5x19 TNT15 | 4 |
| 14 | 500940 | Fallstabendkappe LI | pc |
| 15 | 500939 | Fallstabendkappe RE | pc |
| 16 | 500942 | Fallstabendkappe beweglich LI | pc |
| 17 | 500941 | Fallstabendkappe beweglich RE | pc |
| 18 | 6525170000 | Senk-Schraube Kreuz Blech 2.9x9.5 Inox | 4 |
| 19 | 652019 | Pilot-Schraube T10 3.5x19 TNT15 | 8 |
| 20 | 652516 | Linsenkopf-Schraube T20 Ø 5x20 Inox BLK | 4 |
| 21 | 521627 | Unterlage 80x30 | 6 |
| 22* | 541729 | Befestigungswinkel NO 100 | pc |
| | 541789 | Zwischenstütze Box 100 | |
| | 541795 | Befestigungswinkel NO 100 - Hirschmann | |

Solozip II

Box 100 Führungsschiene-Fix Motorantrieb

| Pos | Artikelnummer | Beschreibung | Menge |
|-----|---------------|--------------------------------|-------|
| 23 | 6525190000 | Zyl-Schraube T20 M5x20 Inox | pc |
| 24 | 652528 | Si-Mutter M5 Inox | pc |
| 25 | 590165 | Aufkleber "Schrauben anziehen" | pc |
| 26 | 620166 | Abdeckkappe | pc |

* = Menge nur über Konfektionsmaterial bestellbar

Solozip II

Box 100 Guide-rail-fix motor driven

| Pos | Item No. | Denomination | Quantity |
|-----|--|--|----------|
| 1 | - | Engine + accessories | pc |
| 2 | 541802 | Tube sleeve 70 | pc |
| 3 | 541759 | Roller bolt COM | pc |
| 4* | 541765 541841 542104 541784 541845 542108 | Box end piece Design R cpl. 100 Box end piece Design R cpl. 100 SIMU Box end piece Design multi head R cpl. 100 Box closure R C 100 Box end piece square motor R cpl. 100 SIMU Box end piece square multi head R cpl. 100 | pc |
| 5* | 541766 541840 542105 541783 541844 542109 | Box end piece Design L cpl. 100 Box end piece Design L cpl. 100 SIMU Box end piece Design multi head L cpl. 100 Box closure L C 100 Box end piece square motor L cpl. 100 SIMU Box end piece square multi head L cpl. 100 | pc |
| 6 | 652005 | counters head Screw T10 M3x13 Inox | 6 |
| 7 | 541746 652516 154990 | Roller bearing COM Lenshaed Screw T20 Ø5x20 Inox BLK Lenshead drilling screw T20 3.9x10.5 Inox | pc |
| 8 | 652019 | Pilot Screw T10 3.5x19 TNT15 | 3 |
| 9* | 521573 | Guide end cap L | pc |
| 10 | 521607 | Suspension cpl. | |
| 11 | 521607 | Suspension cpl. | |
| 12* | 521572 | Guide end cap R | pc |
| 13 | 652019 | Pilot Screw T10 3.5x19 TNT15 | 4 |
| 14 | 500940 | End bar end cover L | pc |
| 15 | 500939 | End bar end cover R | pc |
| 16 | 500942 | End bar end cover movable L | pc |
| 17 | 500941 | End bar end cover movable R | pc |
| 18 | 6525170000 | Counters head Screw cross recess Self-tapping 2.9x9.5 Inox | 4 |
| 19 | 652019 | Pilot Screw T10 3.5x19 TNT15 | 8 |
| 20 | 652516 | Lenshaed Screw T20 Ø 5x20 Inox BLK | 4 |
| 21 | 521627 | Basis 80x30 | 6 |
| 22* | 541729 541789 541795 | Bracket mounted for ceiling 100 Intermediate bracket Box 100 Braket mounted for ceiling 100 - Hirschmann | pc |

Solozip II

Box 100 Guide-rail-fix motor driven

| Pos | Item No. | Denomination | Quantity |
|-----|------------|--|----------|
| 23 | 6525190000 | Cylinder head Screw T20 M5x20 Inox | pc |
| 24 | 652528 | Prevailing torque type locking nut M5 Inox | pc |
| 25 | 590165 | Label "screw tightening" | pc |
| 26 | 620166 | Cover cap | pc |

* = Quantity can only be ordered as confectioned material

Solozip II

Box 100 Guidage-coulisse-fix par moteur

| Pos | N° Article | Désignation | Quantité |
|-----|------------|---|----------|
| 1 | - | Moteur + accessoir | pc |
| 2 | 541802 | Manchon d'axe 70 | pc |
| 3 | 541759 | Tandem COM | pc |
| 4* | 541765 | Embout de caisson Design DR cpl. 100 | pc |
| | 541841 | Embout de caisson Design DR cpl. 100 SIMU | |
| | 542104 | Embout de caisson Design mutitête DR cpl. 100 | |
| | 541784 | Embout de caisson carré DR cpl. 100 | |
| | 541845 | Embout de caisson carré DR cpl. 100 SIMU | |
| | 542108 | Embout de caisson carré multitête DR cpl. 100 | |
| 5* | 541766 | Embout de caisson Design GA cpl. 100 | pc |
| | 541840 | Embout de caisson Design GA cpl. 100 SIMU | |
| | 542105 | Embout de caisson Design multitête GA cpl. 100 | |
| | 541783 | Embout de caisson carré GA cpl. 100 | |
| | 541844 | Embout de caisson carré GA cpl. 100 SIMU | |
| | 542109 | Embout de caisson carré multitête GA cpl. 100 | |
| 6 | 652005 | Vis à tête fraisée T10 M3x13 Inox | 6 |
| 7 | 541746 | Pièce COM | pc |
| | 652516 | Vis thermo tête bombée M5x20 T20 | |
| | 154990 | Vis autoperceuses à tête bombée T20 3.9x10.5 Inox | |
| 8 | 652019 | Vis pilote T10 3.5x19 TNT15 | 3 |
| 9* | 521573 | Embout de coulisse GA | pc |
| 10 | 521607 | Pièce de suspension cpl. | |
| 11 | 521607 | Pièce de suspension cpl. | |
| 12* | 521572 | Embout de coulisse DR | pc |
| 13 | 652019 | Vis pilote T10 3.5x19 TNT15 | 4 |
| 14 | 500940 | Embout de BdC GA | pc |
| 15 | 500939 | Embout de BdC DR | pc |
| 16 | 500942 | Embout de BdC amov. GA | pc |
| 17 | 500941 | Embout de BdC amov. DR | pc |
| 18 | 6525170000 | Vis à tête fraisée cruciforme à tête 2.9x9.5 Inox | 4 |
| 19 | 652019 | Vis pilote T10 3.5x19 TNT15 | 8 |
| 20 | 652516 | Vis à tête bombée T20 Ø 5x20 Inox BRT | 4 |
| 21 | 521627 | Cale 80x30 | 6 |
| 22* | 541729 | Equerre pose face 100 | pc |
| | 541789 | Equerre pose plafond montée 100 | |
| | 541795 | Equerre pose plafond montée 100 - Hirschmann | |

Solozip II

Box 100 Guidage-coulisse-fix par moteur

| Pos | N° Article | Désignation | Quantité |
|-----|------------|---------------------------------------|----------|
| 23 | 6525190000 | Vis à tête cylindrique T20 M5x20 Inox | pc |
| 24 | 652528 | Ecrou autofreinés M5 Inox | pc |
| 25 | 590165 | Etiquette "serrage vis" | pc |
| 26 | 620166 | Cache tête de vis | pc |

* = Quantité peut être commandé seulement comme matériel confectioné

Solozip II

Box 100 Guida-scorrimento-fix via motore

| Pos | No. articolo | Denominazione | Quantità |
|-----|--------------|--|----------|
| 1 | - | Motore + accessori | pc |
| 2 | 541802 | Manicotto rulle 70 | pc |
| 3 | 541759 | Rullo COM | pc |
| 4* | 541765 | Parte finale della box Design DX comp. 100 | pc |
| | 541841 | Parte finale della box Design DX comp. 100 SIMU | |
| | 542104 | Parte finale della box Design multitesta DX comp. 100 | |
| | 541784 | Chisura Box DX C100 | |
| | 541845 | Parte finale della box quadrata motore DX comp. 100 SIMU | |
| | 542108 | Parte finale della box quadrata multitesta DX comp. 100 | |
| 5* | 541766 | Parte finale della box Design SX comp. 100 | pc |
| | 541840 | Parte finale della box Design SX comp. 100 SIMU | |
| | 542105 | Parte finale della box Design multitesta SX comp. 100 | |
| | 541783 | Chisura Box SX C100 | |
| | 541844 | Parte finale della box quadrata motore SX comp. 100 SIMU | |
| | 542109 | Parte finale della box quadrata multitesta SX comp. 100 | |
| 6 | 652005 | Vite testa svasata T10 M3x13 Inox | 6 |
| 7 | 541746 | Cuscinetto rullo COM | pc |
| | 652516 | Vite a testa bombata T20 Ø5x20 Inox LUC | |
| | 154990 | Vite di perforazione a testa bombata T20 3.9x10.5 Inox | |
| 8 | 652019 | Vite pilote T10 3.5x19 TNT15 | 3 |
| 9* | 521573 | Fine guida SX | pc |
| 10 | 521607 | Sospensione comp. | |
| 11 | 521607 | Sospensione comp. | |
| 12* | 521572 | Fine guida DX | pc |
| 13 | 652019 | Vite pilote T10 3.5x19 TNT15 | 4 |
| 14 | 500940 | Terminale tappo terminale SX | pc |
| 15 | 500939 | Terminale tappo terminale DX | pc |
| 16 | 500942 | Terminale tappo terminale mobile SX | pc |
| 17 | 500941 | Terminale tappo terminale mobile DX | pc |
| 18 | 6525170000 | Vite testa svasata impr a cro autofiletanti 2.9x9.5 Inox | 4 |
| 19 | 652019 | Vite pilote T10 3.5x19 TNT15 | 8 |
| 20 | 652516 | Vite a testa bombata T20 Ø 5x20 Inox LUC | 4 |
| 21 | 521627 | Appoggio 80x30 | 6 |
| 22* | 541729 | Fissaggio per soffitto 100 | pc |
| | 541789 | Fissaggio per soffitto 100 | |
| | 541795 | Fissaggio per soffitto 100 - Hirschmann | |

Solozip II

Box 100 Guida-scorrimento-fix via motore

| Pos | No. articolo | Denominazione | Quantità |
|-----|--------------|--------------------------------|----------|
| 23 | 6525190000 | Vite cilindrica T20 M5x20 Inox | pc |
| 24 | 652528 | Dado autofrenanti M5 Inox | pc |
| 25 | 590165 | Etichetta "Serraggio viti" | pc |
| 26 | 620166 | Calotta per coprire | pc |

* = Quantità può essere ordinato solamente come materiale confezionato

Solozip II

Box 100 Guía-fix con motor

| Pos | No. artículo | Designación | Cantidad |
|-----|--------------|---|----------|
| 1 | - | Motor + accesorios | pc |
| 2 | 541802 | Manguito rodille 70 | pc |
| 3 | 541759 | Eje tándem COM | pc |
| 4* | 541765 | Pieza final del cajon Design DER comp. 100 | pc |
| | 541841 | Pieza final del cajon Design DER comp. 100 SIMU | |
| | 542104 | Pieza final del cajon Design multicabezal DER comp. 100 | |
| | 541784 | Tapa de box DER C 100 | |
| | 541845 | Pieza final del cajon quadrada motor DER comp. 100 SIMU | |
| | 542108 | Pieza final del cajon quadrada multicabezal DER comp. 100 | |
| 5* | 541766 | Pieza final del cajon Design IZQ comp. 100 | pc |
| | 541840 | Pieza final del cajon Design IZQ comp. 100 SIMU | |
| | 542105 | Pieza final del cajon Design multicabezal IZQ comp. 100 | |
| | 541783 | Tapa de box IZQ C 100 | |
| | 541844 | Pieza final del cajon quadrada motor IZQ comp. 100 SIMU | |
| | 542109 | Pieza final del cajon quadrada multicabezal IZQ comp. 100 | |
| 6 | 652005 | Tornillo avellanado T10 M3x13 Inox | 6 |
| 7 | 541746 | Cojinete rodillo COM | pc |
| | 652516 | Tornillo cabeza convexa T20 Ø5x20 Inox BRIL | |
| | 154990 | Tornillo de taladro de cabeza convexa T20 3.9x10.5 Inox | |
| 8 | 652019 | Tornillo pilote T10 3.5x19 TNT15 | 3 |
| 9* | 521573 | Tapa de guía IZQ | pc |
| 10 | 521607 | Suspensión comp. | |
| 11 | 521607 | Suspensión comp. | |
| 12* | 521572 | Tapa de guía DER | pc |
| 13 | 652019 | Tornillo pilote T10 3.5x19 TNT15 | 4 |
| 14 | 500940 | Barra de carga tapón extremo IZQ | pc |
| 15 | 500939 | Barra de carga tapón extremo DER | pc |
| 16 | 500942 | Barra de carga tapón extremo móvil IZQ | pc |
| 17 | 500941 | Barra de carga tapón extremo móvil DER | pc |
| 18 | 6525170000 | Tornillo avellanado estrella autoperforante 2.9x9.5 Inox | 4 |
| 19 | 652019 | Tornillo pilote T10 3.5x19 TNT15 | 8 |
| 20 | 652516 | Tornillo cabeza convexa T20 Ø 5x20 Inox BRIL | 4 |
| 21 | 521627 | Base 80x30 | 6 |
| 22* | 541729 | Soporte para instalación techo 100 | pc |
| | 541789 | Soporte para instalación techo 100 | |
| | 541795 | Soporte para instalación techo 100 - Hirschmann | |

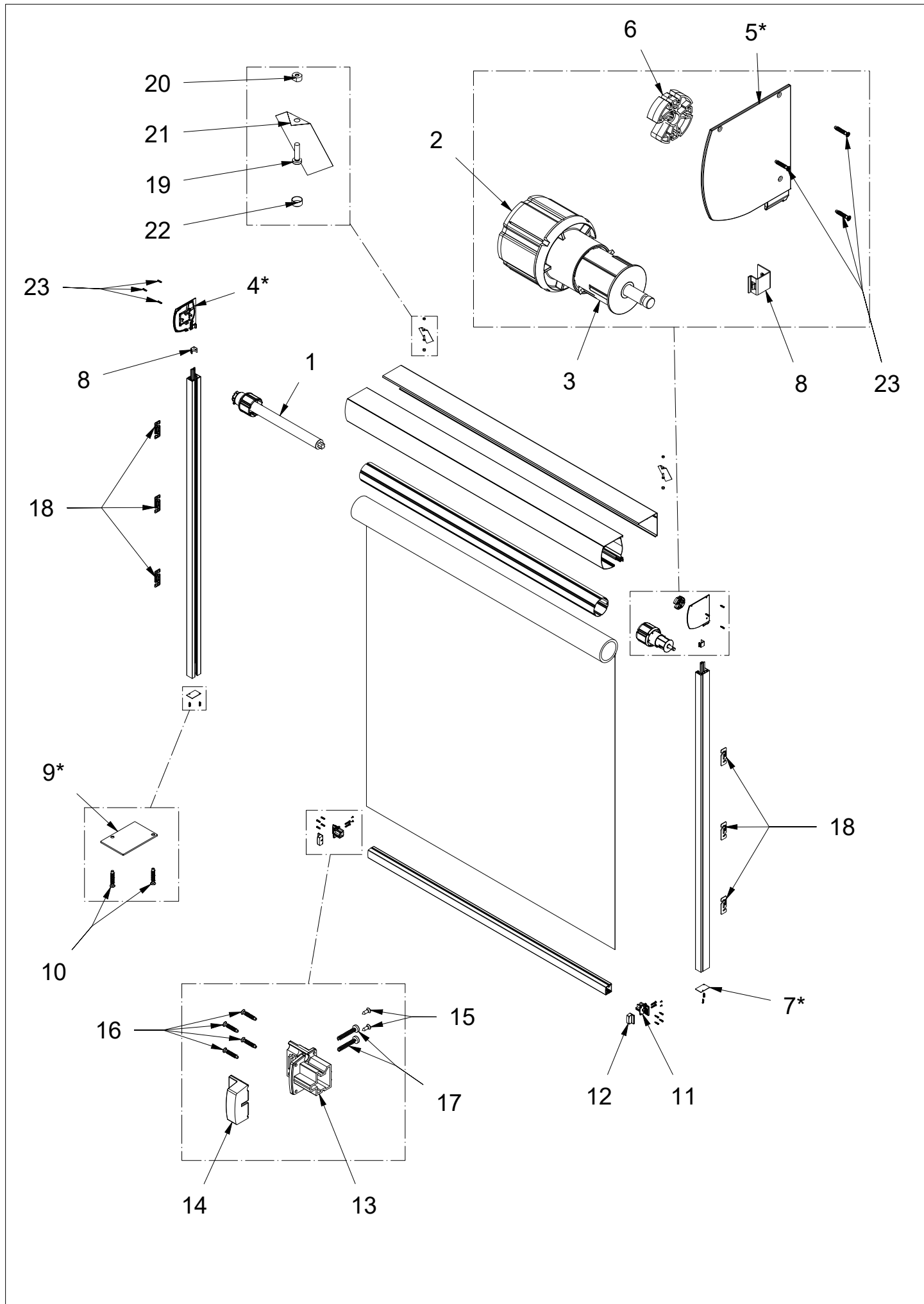
Solozip II

Box 100 Guía-fix con motor

| Pos | No. artículo | Designación | Cantidad |
|-----|--------------|------------------------------------|----------|
| 23 | 6525190000 | Tornillo cilíndrica T20 M5x20 Inox | pc |
| 24 | 652528 | Tuerca autofrenado M5 Inox | pc |
| 25 | 590165 | Etiqueta "Apretando tornillos" | pc |
| 26 | 620166 | Tapa de protección | pc |

* = Cantidad puede pedirse solamente a través de material ya confeccionado

Solozip II Box 130 Guidage-coulisse-conv. par moteur



Solozip II

Box 130 Führungsschiene-Konv. Motorantrieb

| Pos | Artikelnummer | Beschreibung | Menge |
|-----|---------------|---|-------|
| 1 | - | Motor + Zubehör | pc |
| 2 | 541803 | Walzenmuffe Kunststoff Ø85 | pc |
| | 541804 | Walzenmuffe Kunststoff Ø100 | |
| 3 | 541759 | Walzenstift COM | pc |
| 4* | 541767 | Kastenendstück Design RE kpl. 130 | pc |
| | 541843 | Kastenendstück Design RE kpl. 130 SIMU | |
| | 542106 | Kastenendstück Design Mehrkopf RE kpl. 130 | |
| | 541786 | Kastenverschluss RE C kpl. 130 | |
| | 541847 | Kastenendstück eckig Motor RE kpl. 130 SIMU | |
| | 542110 | Kastenendstück eckig Mehrkopf RE kpl. 130 | |
| 5* | 541768 | Kastenendstück Design LI kpl. 130 | pc |
| | 541842 | Kastenendstück Design LI kpl. 130 SIMU | |
| | 542107 | Kastenendstück Design Mehrkopf LI kpl. 130 | |
| | 541785 | Kastenverschluss LI C kpl. 130 | |
| | 541846 | Kastenendstück eckig Motor LI kpl. 130 SIMU | |
| | 542111 | Kastenendstück eckig Mehrkopf LI kpl. 130 | |
| 6 | 541746 | Walzenlager COM | pc |
| | 652519 | Zyl-Schraube T20 M5x20 Inox | |
| | 154990 | Linsen-Bohrschr T20 3.9x10.5 Inox | |
| 7* | 521573 | Führungsendkappe LI | pc |
| 8 | 521607 | Aufhängung kpl. | pc |
| 9* | 521572 | Führungsendkappe RE | pc |
| 10 | 652019 | Pilot-Schraube T10 3.5x19 TNT15 | pc |
| 11 | 500940 | Fallstabendkappe LI | pc |
| 12 | 500942 | Fallstabendkappe beweglich LI | pc |
| 13 | 5009630000 | Fallstabendkappe Gelenk fix RE | pc |
| 14 | 500941 | Fallstabendkappe beweglich RE | pc |
| 15 | 6525170000 | Senk-Schraube Kreuz Blech 2.9x9.5 Inox | pc |
| 16 | 652019 | Pilot-Schraube T10 3.5x19 TNT15 | pc |
| 17 | 652516 | Linsenkopf-Schraube T20 Ø 5x20 Inox BLK | pc |
| 18 | 521627 | Unterlage 80x30 | pc |
| 19 | 6525190000 | Zyl-Schraube T20 M5x20 Inox | pc |
| 20 | 652528 | Si-Mutter M5 Inox | pc |
| 21 | 590165 | Aufkleber "Schrauben anziehen" | pc |
| 22 | 620166 | Abdeckkappe | pc |
| 23 | 652019 | Pilot-Schraube T10 3.5x19 TNT15 | pc |

Solozip II

Box 130 Führungsschiene-Konv. Motorantrieb

* = Menge nur über Konfektionsmaterial bestellbar

Solozip II

Box 130 Guide-rail-conv. motor driven

| Pos | Item No. | Denomination | Quantity |
|-----|------------|--|----------|
| 1 | - | Engine + accessories | pc |
| 2 | 541803 | Tube sleeve plastic Ø85 | pc |
| | 541804 | Tube sleeve plastic Ø100 | |
| 3 | 541759 | Roller bolt COM | pc |
| 4* | 541767 | Box end piece Design R cpl. 130 | pc |
| | 541843 | Box end piece Design R cpl. 130 SIMU | |
| | 542106 | Box end piece Design multi head R cpl. 130 | |
| | 541786 | Box closure R C cpl. 130 | |
| | 541847 | Box end piece square motor R cpl. 130 SIMU | |
| | 542110 | Box end piece square multi head R cpl. 130 | |
| 5* | 541768 | Box end piece Design L cpl. 130 | pc |
| | 541842 | Box end piece Design L cpl. 130 SIMU | |
| | 542107 | Box end piece Design multi head L cpl. 130 | |
| | 541785 | Box closure L C cpl. 130 | |
| | 541846 | Box end piece square motor L cpl. 130 SIMU | |
| | 542111 | Box end piece square multi head L cpl. 130 | |
| 6 | 541746 | Roller bearing COM | pc |
| | 652519 | Cylinder head Screw T20 M5x20 Inox | |
| | 154990 | Lens head drilling screw T20 3.9x10.5 Inox | |
| 7* | 521573 | Guide end cap L | pc |
| 8 | 521607 | Suspension cpl. | pc |
| 9* | 521572 | Guide end cap R | pc |
| 10 | 652019 | Pilot Screw T10 3.5x19 TNT15 | pc |
| 11 | 500940 | End bar end cover L | pc |
| 12 | 500942 | End bar end cover movable L | pc |
| 13 | 5009630000 | End bar end cove joint fix R | pc |
| 14 | 500941 | End bar end cover movable R | pc |
| 15 | 6525170000 | Counters head Screw cross recess Self-tapping 2.9x9.5 Inox | pc |
| 16 | 652019 | Pilot Screw T10 3.5x19 TNT15 | pc |
| 17 | 652516 | Lenshaed Screw T20 Ø 5x20 Inox BLK | pc |
| 18 | 521627 | Basis 80x30 | pc |
| 19 | 6525190000 | Cylinder head Screw T20 M5x20 Inox | pc |
| 20 | 652528 | Prevailing torque type locking nut M5 Inox | pc |
| 21 | 590165 | Label "screw tightening" | pc |
| 22 | 620166 | Cover cap | pc |
| 23 | 652019 | Pilot Screw T10 3.5x19 TNT15 | pc |

Solozip II

Box 130 Guide-rail-conv. motor driven

* = Quantity can only be ordered as confectionned material

Solozip II

Box 130 Guidage-coulisse-conv. par moteur

| Pos | N° Article | Désignation | Quantité |
|-----|------------|---|----------|
| 1 | - | Moteur + Accessoir | pc |
| 2 | 541803 | Manchon d'axe synthétique Ø85 | pc |
| | 541804 | Manchon d'axe synthétique Ø100 | |
| 3 | 541759 | Tandem COM | pc |
| 4* | 541767 | Embout de caisson Design DR cpl. 130 | pc |
| | 541843 | Embout de caisson Design DR cpl. 130 SIMU | |
| | 542106 | Embout de caisson Design multitête DR cpl. 130 | |
| | 541786 | Embout de caisson carré DR cpl. 130 | |
| | 541847 | Embout de caisson carré DR cpl. 130 SIMU | |
| | 542110 | Embout de caisson carré multitête DR cpl. 130 | |
| 5* | 541768 | Embout de caisson Design GA cpl. 130 | pc |
| | 541842 | Embout de caisson Design GA cpl. 130 SIMU | |
| | 542107 | Embout de caisson Design multitête GA cpl. 130 | |
| | 541785 | Embout de caisson carré GA cpl. 130 | |
| | 541846 | Embout de caisson carré GA cpl. 130 SIMU | |
| | 542111 | Embout de caisson carré multitête GA cpl. 130 | |
| 6 | 541746 | Pièce COM | pc |
| | 652519 | Vis thermo tête cylindrique bombée 4x25 T20 | |
| | 154990 | Vis autoperceuses à tête bombée T20 3.9x10.5 Inox | |
| 7* | 521573 | Embout de coulisse GA | pc |
| 8 | 521607 | Pièce de suspension cpl. | pc |
| 9* | 521572 | Embout de coulisse DR | pc |
| 10 | 652019 | Vis pilote T10 3.5x19 TNT15 | pc |
| 11 | 500940 | Embout de BdC GA | pc |
| 12 | 500942 | Embout de BdC amov. GA | pc |
| 13 | 5009630000 | Embout de BdC fix + joint DR | pc |
| 14 | 500941 | Embout de BdC amov. DR | pc |
| 15 | 6525170000 | Vis à tête fraisée cruciforme à tôle 2.9x9.5 Inox | pc |
| 16 | 652019 | Vis pilote T10 3.5x19 TNT15 | pc |
| 17 | 652516 | Vis à tête bombée T20 Ø 5x20 Inox BRT | pc |
| 18 | 521627 | Cale 80x30 | pc |
| 19 | 6525190000 | Vis à tête cylindrique T20 M5x20 Inox | pc |
| 20 | 652528 | Ecrou autofreinés M5 Inox | pc |
| 21 | 590165 | Etiquette "serrage vis" | pc |
| 22 | 620166 | Cache tête de vis | pc |
| 23 | 652019 | Vis pilote T10 3.5x19 TNT15 | pc |

Solozip II

Box 130 Guidage-coulisse-conv. par moteur

* = Quantité peut être commandé seulement comme matériel confectioné

Solozip II

Box 130 Guida-scorrimento-conv. via motore

| Pos | No. articolo | Denominazione | Quantità |
|-----|--------------|--|----------|
| 1 | - | Motore + accessori | pc |
| 2 | 541803 | Manicotto rulle plastico Ø85 | pc |
| | 541804 | Manicotto rulle plastico Ø100 | |
| 3 | 541759 | Rullo COM | pc |
| 4* | 541767 | Parte finale della box Design DX comp. 130 | pc |
| | 541843 | Parte finale della box Design DX comp. 130 SIMU | |
| | 542106 | Parte finale della box Design multitesta DX comp. 130 | |
| | 541786 | Chiusura box DX C comp. 130 | |
| | 541847 | Parte finale della box quadrata motore DX comp. 130 SIMU | |
| | 542110 | Parte finale della box quadrata multitesta DX comp. 130 | |
| 5* | 541768 | Parte finale della box Design SX comp. 130 | pc |
| | 541842 | Parte finale della box Design SX comp. 130 SIMU | |
| | 542107 | Parte finale della box Design multitesta SX comp. 130 | |
| | 541785 | Chiusura box SX C comp. 130 | |
| | 541846 | Parte finale della box quadrata motore SX comp. 130 SIMU | |
| | 542111 | Parte finale della box quadrata multitesta SX comp. 130 | |
| 6 | 541746 | Cuscinetto rullo COM | pc |
| | 652519 | Vite cilindrica T20 M5x20 Inox | |
| | 154990 | Vite di perforazione a testa bombata T20 3.9x10.5 Inox | |
| 7* | 521573 | Fine guida SX | pc |
| 8 | 521607 | Sospensione comp. | pc |
| 10 | 652019 | Vite pilote T10 3.5x19 TNT15 | pc |
| 9* | 521572 | Fine guida DX | pc |
| 11 | 500940 | Terminale tappo terminale SX | pc |
| 12 | 500942 | Terminale tappo terminale mobile SX | pc |
| 13 | 5009630000 | Terminale tappo terminale caduta fix DX | pc |
| 14 | 500941 | Terminale tappo terminale mobile DX | pc |
| 15 | 6525170000 | Vite testa svasata impr a cro autofiletanti 2.9x9.5 Inox | pc |
| 16 | 652019 | Vite pilote T10 3.5x19 TNT15 | pc |
| 17 | 652516 | Vite a testa bombata T20 Ø 5x20 Inox LUC | pc |
| 18 | 521627 | Appoggio 80x30 | pc |
| 19 | 6525190000 | Vite cilindrica T20 M5x20 Inox | pc |
| 20 | 652528 | Dado autofrenanti M5 Inox | pc |
| 21 | 590165 | Etichetta "Serraggio viti" | pc |
| 22 | 620166 | Calotta per coprire | pc |
| 23 | 652019 | Vite pilote T10 3.5x19 TNT15 | pc |

Solozip II

Box 130 Guida-scorrimento-conv. via motore

* = Quantità può essere ordinato solamente come materiale confezionato

Solozip II

Box 130 Guía-conv. con motor

| Pos | No. artículo | Designación | Cantidad |
|-----|--------------|---|----------|
| 1 | - | Motor + accesorios | pc |
| 2 | 541803 | Manguito rodille plástico Ø85 | pc |
| | 541804 | Manguito rodille plástico Ø100 | |
| 3 | 541759 | Eje tándem COM | pc |
| 4* | 541767 | Pieza final del cajon Design DER comp. 130 | pc |
| | 541843 | Pieza final del cajon Design DER comp. 130 SIMU | |
| | 542106 | Pieza final del cajon Design multicabezal DER comp. 130 | |
| | 541786 | Tapa de box DER C comp. 130 | |
| | 541847 | Pieza final della cajon quadrada motor DER comp. 130 SIMU | |
| | 542110 | Pieza final della cajon quadrada multicabazal DER comp. 130 | |
| 5* | 541768 | Pieza final del cajon Design IZQ comp. 130 | pc |
| | 541842 | Pieza final del cajon Design IZQ comp. 130 SIMU | |
| | 542107 | Pieza final del cajon Design multicabezal IZQ comp. 130 | |
| | 541785 | Tapa de box IZQ C comp. 130 | |
| | 541846 | Pieza final della cajon quadrada motor IZQ comp. 130 SIMU | |
| | 542111 | Pieza final della cajon quadrada multicabazal IZQ comp. 130 | |
| 6 | 541746 | Cojinete rodillo COM | pc |
| | 652519 | Tornillo cilíndrica T20 M5x20 Inox | |
| | 154990 | Tornillo de taladro de cabeza convexa T20 3.9x10.5 Inox | |
| 7* | 521573 | Tapa de guía IZQ | pc |
| 8 | 521607 | Suspensión comp. | pc |
| 9* | 521572 | Tapa de guía DER | pc |
| 10 | 652019 | Tornillo pilote T10 3.5x19 TNT15 | pc |
| 11 | 500940 | Barra de carga tapón extremo IZQ | pc |
| 12 | 500942 | Barra de carga tapón extremo móvil IZQ | pc |
| 13 | 5009630000 | Barra de carga tapón extremo caída fix DER | pc |
| 14 | 500941 | Barra de carga tapón extremo móvil DER | pc |
| 15 | 6525170000 | Tornillo avellanado estrella autoperforante 2.9x9.5 Inox | pc |
| 16 | 652019 | Tornillo pilote T10 3.5x19 TNT15 | pc |
| 17 | 652516 | Tornillo cabeza convexa T20 Ø 5x20 Inox BRIL | pc |
| 18 | 521627 | Base 80x30 | pc |
| 19 | 6525190000 | Tornillo cilíndrica T20 M5x20 Inox | pc |
| 20 | 652528 | Tuerca autofrenado M5 Inox | pc |
| 21 | 590165 | Etiqueta "Apretando tornillos" | pc |
| 22 | 620166 | Tapa de protección | pc |
| 23 | 652019 | Tornillo pilote T10 3.5x19 TNT15 | pc |

Solozip II

Box 130 Guía-conv. con motor

* = Cantidad puede pedirse solamente a traves de material ya confeccionado