

Pantograph shutters

Characteristic design and
unique mood lighting



NEW

 **GRIESSER**

4 good reasons: A system full of benefits **Unique. Only at Griesser.**



Automatic light management

Horizontal solar shading with pantograph shutters. Steering daylight in the right direction; all your requirements met with help from Smart Home.



Special lighting scenes

A signature architectural statement, design and ambience underscored by special mood lighting and shadow effects.



Numerous possibilities for large fronts

This solar shading makes it possible to incorporate large window facades. The versatility of the pantograph shutter also provides plenty of design opportunities, such as its integration into the facade or additional protection for glazed corner solutions. And yet, when open, very little space is taken up on the facade.



Top wind resistance

Our pantograph shutter has successfully met all requirements for an EC Declaration of Conformity according to the latest standard EN 13659 and achieved the highest wind resistance class! Operation of the pantograph shutters is also possible at higher elevations in strong winds.

Varied & Individual

Solar shading as elegant and individual as the curtains hung inside. Horizontally folded to the left or right, there is a variety of options available for the optimum shading of interior spaces.

Pantograph shutters lend the building exterior a distinctive character. Special solutions create personal touches and a sense of elegance. For even greater individuality and custom mood lighting.



Creative freedom with choice of color

From ivory white to purple violet – choose the perfect color for any situation.

Rich. Sophisticated. Optimally coated and adapted to suit any environment, the best possible coating has been developed for every product.

The freedom to choose any color, degree of brilliance or structure when putting together the finishing design touches.



Active daylight control

Make the most of the daylight to improve quality of life. Now more easily done thanks to the controlled and motorized pantograph shutters.

Compared to vertical solar shading, pantograph shutters can be horizontally adjusted to the position of the sun.

An innovative window shutter system now with active daylight control.



Horizontal light control boasting technical sophistication



Unique and patented. Folding pantograph shutters are only available from Griesser:

Our pantograph shutter has successfully met all requirements for an EC Declaration of Conformity according to the latest standard EN 13659.

We have achieved the highest wind resistance class according to this standard! The pantograph shutter can impressively withstand wind speeds reaching 120 km/h.

For the life test the requirement to be met was 10,000 cycles and we completed 20,000 cycles without any issue whatsoever.

The patented solution guarantees a safe installation. Pre-assembled elements facilitate an even faster and simpler construction.

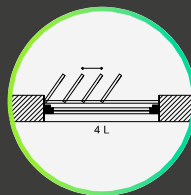
Very large window areas can be shaded with up to 12 sashes. Special lighting moods and shadow effects can be created by the pantograph shutters when they are half-open.





Motorized solution

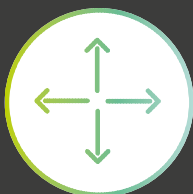
Pantograph shutters operated electrically



Schema example

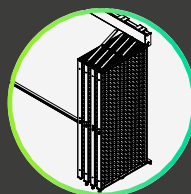
Number of wings

Max. 6 blades per wing and system



Wing dimensions

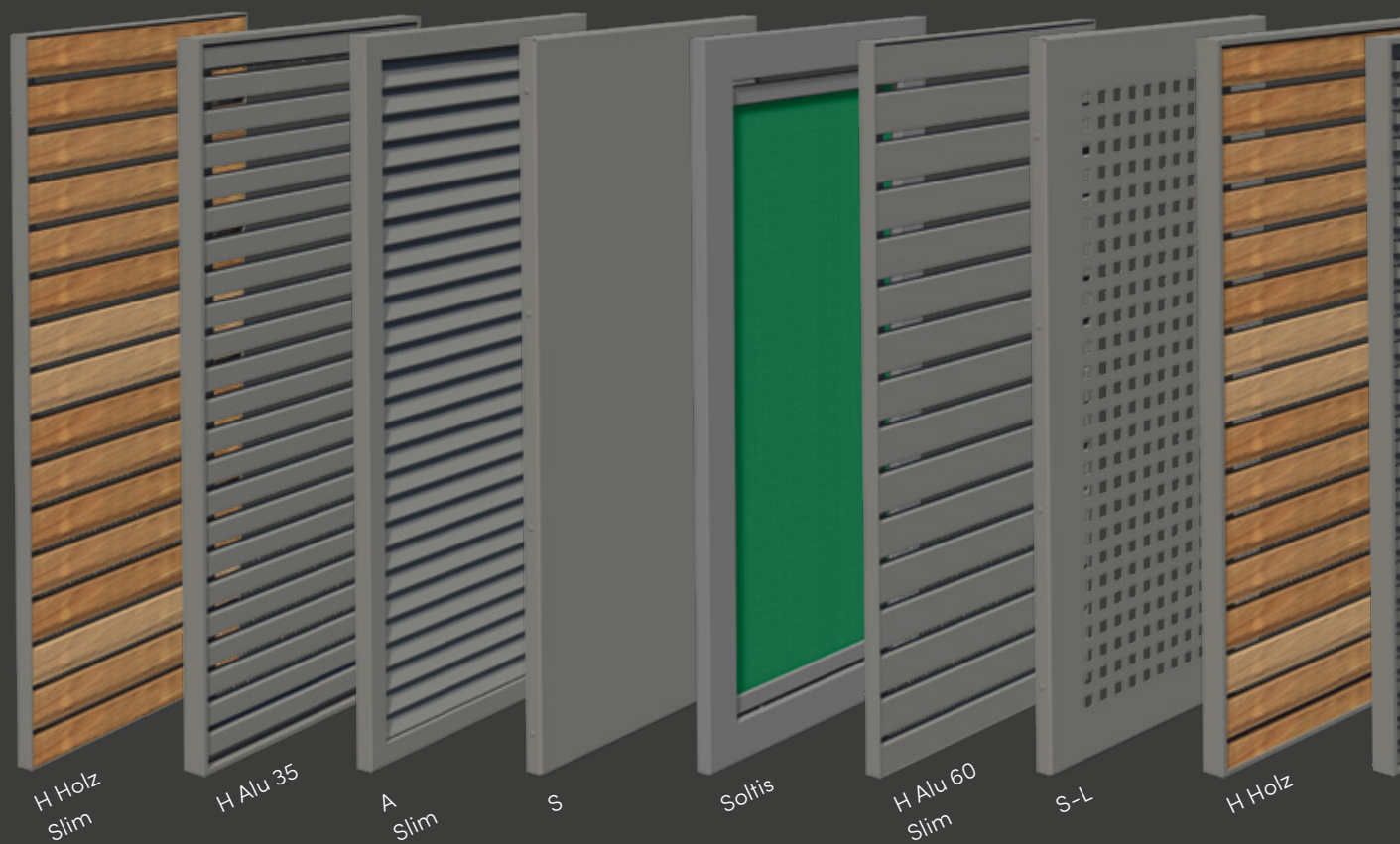
Max. width: 550 mm
Max. height: 2600 mm
(depending on model)



Space required in park position

Min. 97 mm with x31 frame for 2 wings
Max. 351 mm with x45 frame for 6 wings

Comprehensive range of pantograph shutters



Installation detail, top

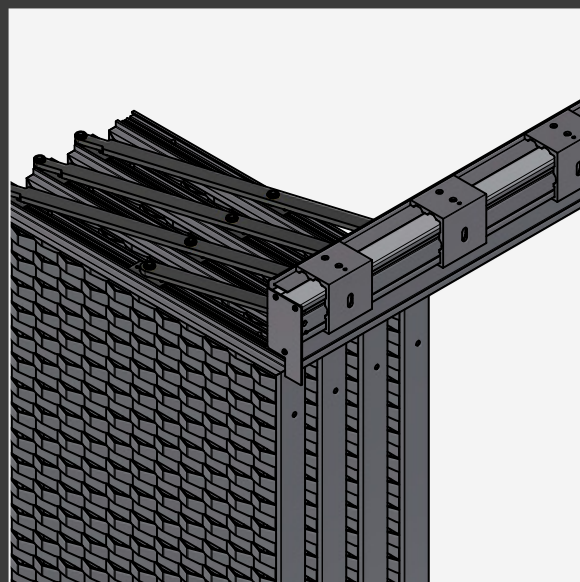
Wall installation or ceiling installation

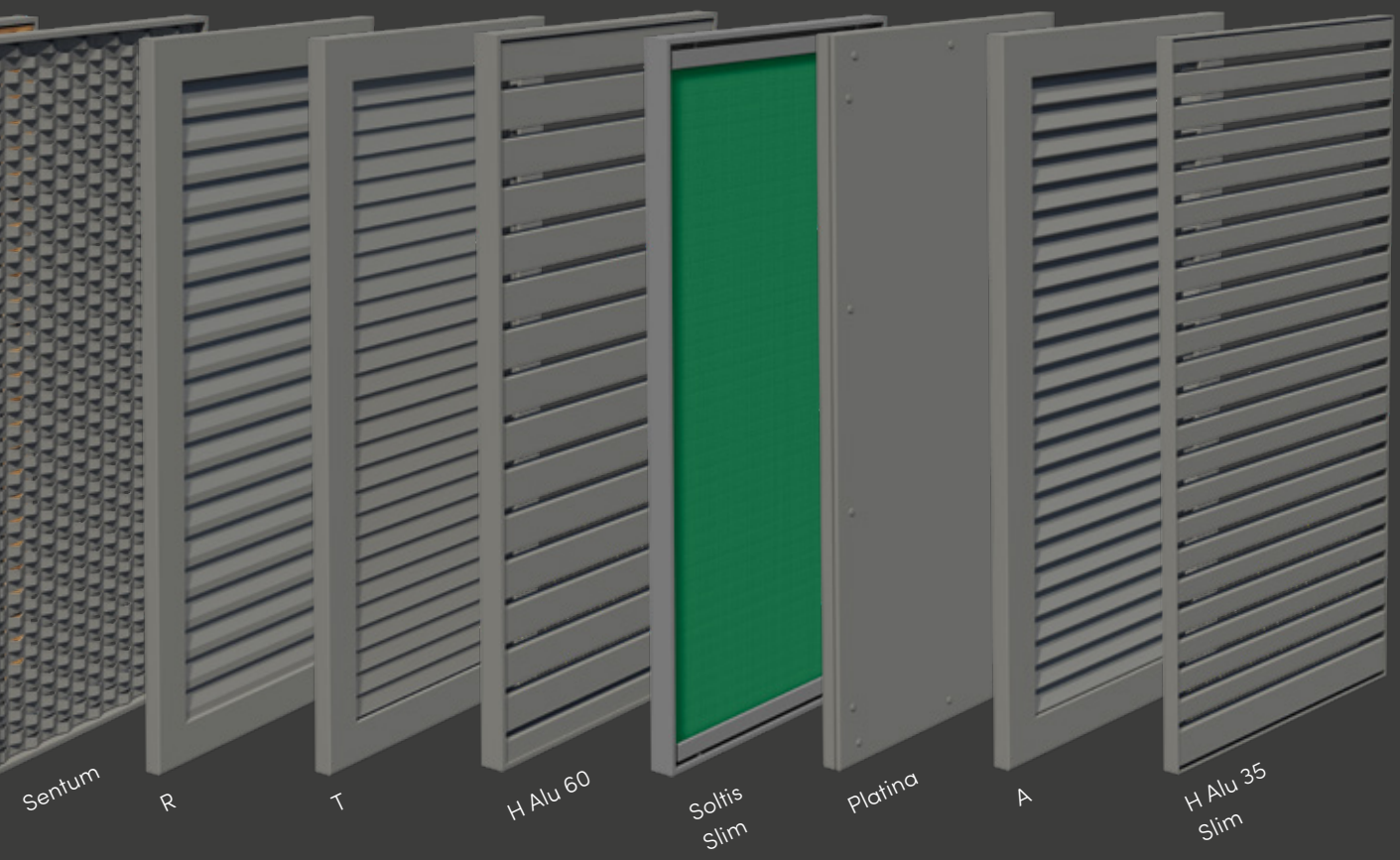


Technical details:
Download quick
reference



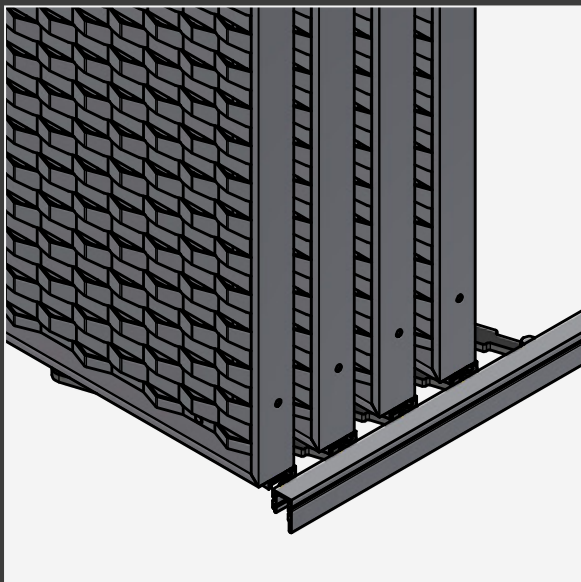
Further information:
www.griesser.at





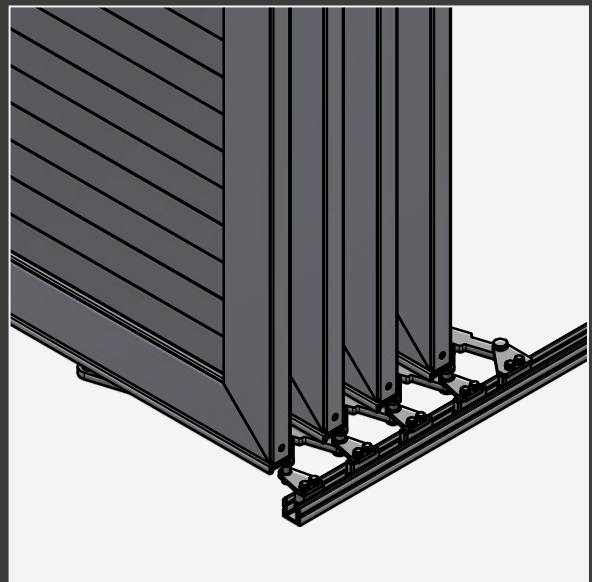
Installation detail, bottom

Wall installation S1



Installation detail, bottom

Floor mounting S2
barrier-free possible



Inspired by the **Sun.**

griessergroup.com

