

**External venetian blinds from Griesser.**  
Aluflex®





## Aluflex®

Aluflex® is notable for its flexible, flat slats. This means its filigree design is a perfect accent for modern architecture. A wide variety of options enable distraction-free work on the monitor.



Guide system Type L



Self-supporting



Built-in system



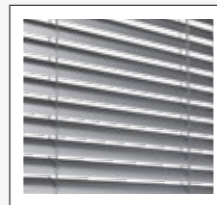
Front mounted system



Aluflex® Box



## Product-Highlights Aluflex®



Operating position (option)



Two different slat widths

## Product advantages in detail

### Two slat widths

Flat, flexible slat profile without edge border, 80 mm or 60 mm wide, baked enamel finish with aluminum. End rails of extruded aluminum, transparently anodized or baked enamel finish.



### Self-supporting with the slim guide Type L

The self-supporting blind design protects the insulation in the header and reduces service costs. The system needs no fastening for the housing for widths of up to 2500 mm – the insulation remains intact and noise transmission is reduced. The slim Type L fixed guide with a flexible beading stands out for being a low-cost and unobtrusive guide system with a high reliability.



### Installation system

We offer you the Aluflex® in two different installation versions. One for the header situation and one for the version with a screen.



### Installation system with Box

Box made from extruded aluminum, transparently anodized or baked enamel finish, square or round.

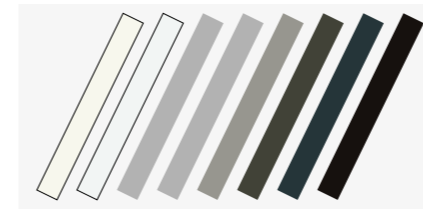


# Our color scheme











## Our colors

### Griesser Bestseller Colors



**Surface structure**  
Semi-gloss

			
RAL 9010	RAL 9016	RAL 9006	VSR 140 - Metallic
			
RAL 9007/VSR 907	RAL 7022	RAL 7016	RAL 8019

### Premium Colors

#### GriRal Colors

Our GriRal color collection has an assortment of 50 different RAL shades of color. From sand yellow to standard white, we offer a complete selection of hues for every color family. We're convinced that with our color palette, you will find exactly the right shade of color for your needs.



#### GriColors

The GriColors range includes 100 color shades in four collections, Glass & Stone, Sun & Fire, Water & Moss and Earth & Wood – from cool white and sunny red to natural blue and earthy brown.



**Surface structure**  
Semi-gloss

#### BiColor

External venetian blinds get a new color accent: When bright color is dominant outside, a neutral light can optimize the shading function inside. Create your own preferred color combination using our two color collections, GriColors and GriRal (excluding standard colors).



The exterior color shows as a border along the edge of the interior view. Our color recommendations for interior colors: white (VSR 901), light gray (VSR 904) or medium gray (VSR 130).

# Our comfort



## Controls

Aluflex® II can be operated through a variety of control systems, from a simple hand-held transmitter to a master control or a building management system, depending on the time, position of the sun and the weather.

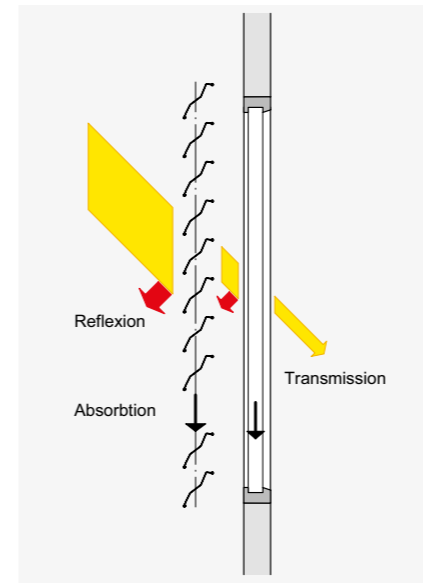
## Thermal comfort

The ambient conditions change over the course of the day and during the seasons. With a blinds control device from Griesser, you can adjust your solar shading to match your personal requirements in accordance with changing exterior circumstances. And making these adjustments is so simple that you will still have time to take care of the important things in your life.

An optimal daylight concept makes artificial air conditioning superfluous in the summer. You save energy costs and may well also avoid one or another unwanted summer cold. In the winter, on the other hand, a solar shading system can protect you against cold and allow the scarce rays of the sun into the room, thus saving once again on energy costs, not to mention facial tissues.

## Visual comfort

Having a sense of well-being also means being able to decide for oneself, particularly within one's own four walls, just how much one wants to reveal to the outside world. With Aluflex® II, you are sheltered from uninvited glances from the outside world.



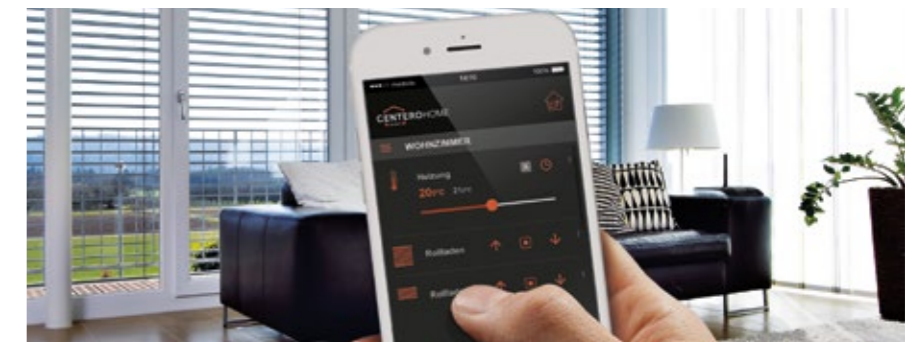
BiLine hand-held transmitter



Centro Home for smartphone and tablet operation

## BiLine - Remote control

The control system Griesser BiLine provides contemporary design and high functional security through routing technology. Wireless systems have the advantage of being installed quickly, not only in new buildings but also when refitting an automated system in existing buildings.



## KNX / gBUS home and building automation

The Griesser KNX and gBUS solar shading controls are integrated master controls with extensive functionalities for any building of any size. With proven functions such as solar tracking and horizon limitation, it meets the highest expectations for solar shading control.



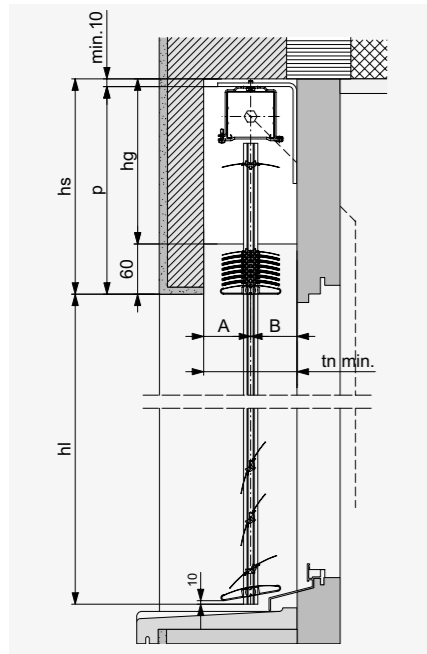
KNX / gBUS controls per iPad





# Technology in detail

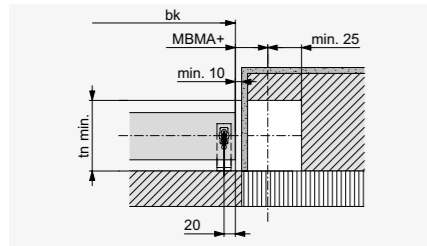
Vertical section: Example of header



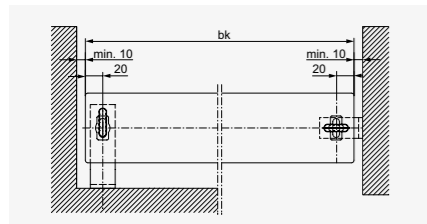
Installation system in header



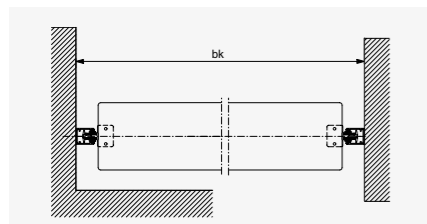
Horizontal sections



For crank drive

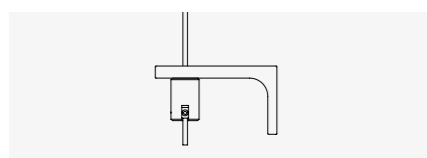


For guide cables



For guide rails

Guide cable bracket



Horizontal cut for crank drive

With recess (white) for gearbox (not necessary for motor drive). With a gearbox in the slat area at 45°, hs must be increased by 20 mm. A dimensional tolerance of ±5 mm should be observed for the header height.

Depth of niche

Type	tn	A	B
Aluflex® 60	min. 100*	50	50
Aluflex® 80	min. 120*	60	60

\* + possible addition for protruding weatherboard or doorknobs.

Top section: guide cables

In the case of a bk greater than 3000 mm or in locations exposed to the wind, a central rope suited to wind load is required. In the case of a bk greater than 4400 mm, two medium ropes suited to wind load are added.

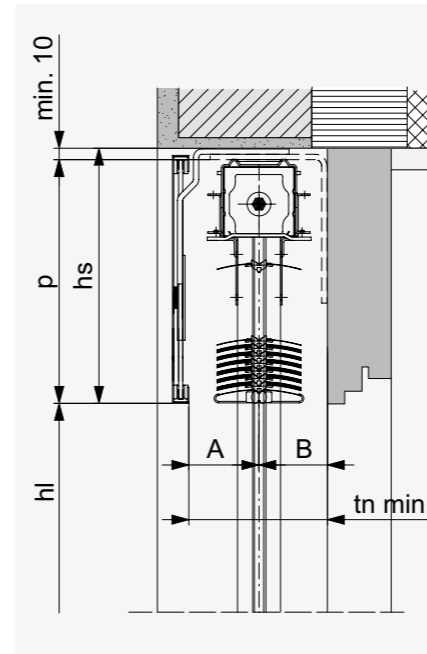
Top section: guide rails

In the case of a bk greater than 2500 mm or in locations exposed to the wind, a cable suited to additional wind load is required, in the case of bk greater than 3800 mm a second one.

**Key**

- bk = Width of construction
- hl = Opening height
- p = Height of package
- gh = total height
- hs = Header height (p + min. 10)
- hg = Height of gearbox recess (hs - 60)
- tn = Depth of niche
- All dimensions in mm.

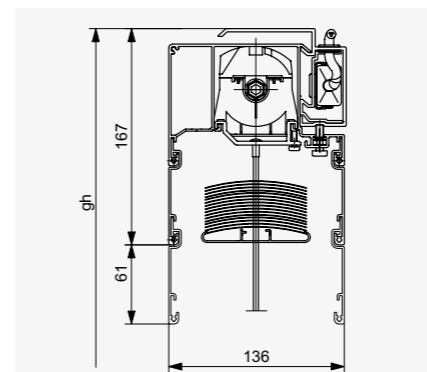
Vertical section: Example with cover



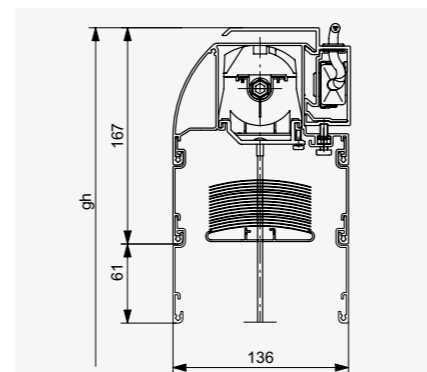
Installation system with cover



Vertical section: Example box

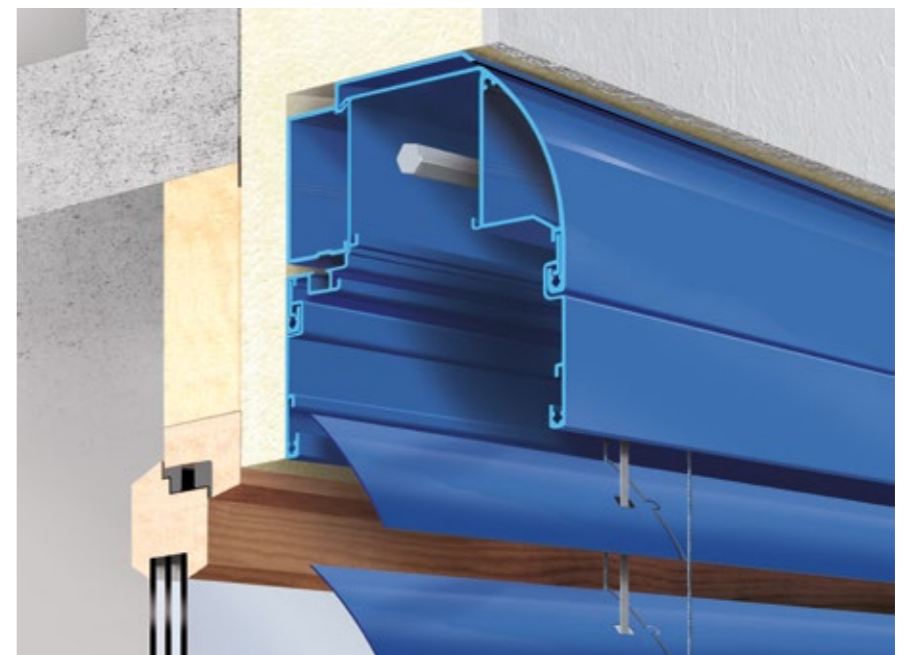


Box square



Box round

Installation system with Box



**Aluflex® Box**

Box made from extruded aluminum, transparently anodized or baked enamel finish, square or round, depending on style with extension of 61 mm. For both versions; hs = hs +7 (see p. 3).

**Version Box**

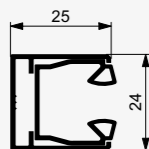
gh 700–1800 mm: box standard with extension

gh 1801–4800 mm: box with second extension

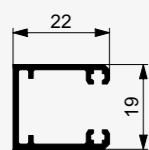
In the case of a total height (gh) greater than 4101 mm, the slat package is not entirely covered.

## Lateral Guide rails

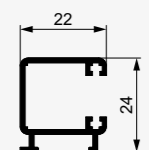
### Type L (for self-supporting system)



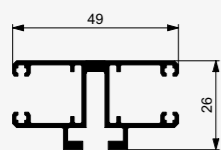
### Type E



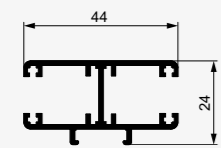
### Type C



### Type D



### Type T



## Limit dimensions

### bk Width of construction (rear edge of guide rails, for guide cable = length of slats)

Minimum	
crank drive	550
motor drive	625

Maximum	
guide rails	4500
guide cables	5000

Buildings and high-rise structures which are exposed to high wind should decrease this maximum value as required.

### hl Opening height

Minimum	550
Maximum	4500

### bk × hl Maximum surface area

Single blind	
with crank drive	11 m <sup>2</sup>
with motor drive	20 m <sup>2</sup>

Connected systems (max. system width 10 m)	
with crank drive (max. 4 blinds)	11 m <sup>2</sup>

A max. of 2 blinds may be connected on each side of the gearbox.

with motor drive (max. 4 blinds)	24 m <sup>2</sup>
----------------------------------	-------------------

2-4 blinds  
For 3 or 4 blinds, the motor should be positioned in the center.

### Header dimensions

Opening height (hl)	Header height (hs)*	
	Aluflex® 80	Aluflex® 60
550-1000	160	175
1001-1250	165	190
1251-1500	170	200
1501-1750	180	210
1751-2000	185	220
2001-2250	195	235
2251-2500	200	240
2501-2750	210	255
2751-3000	215	265
3001-3250	220	275
3251-3500	225	285
3501-3750	235	300
3751-4000	240	310
4001-4250	250	320
4251-4500	255	330

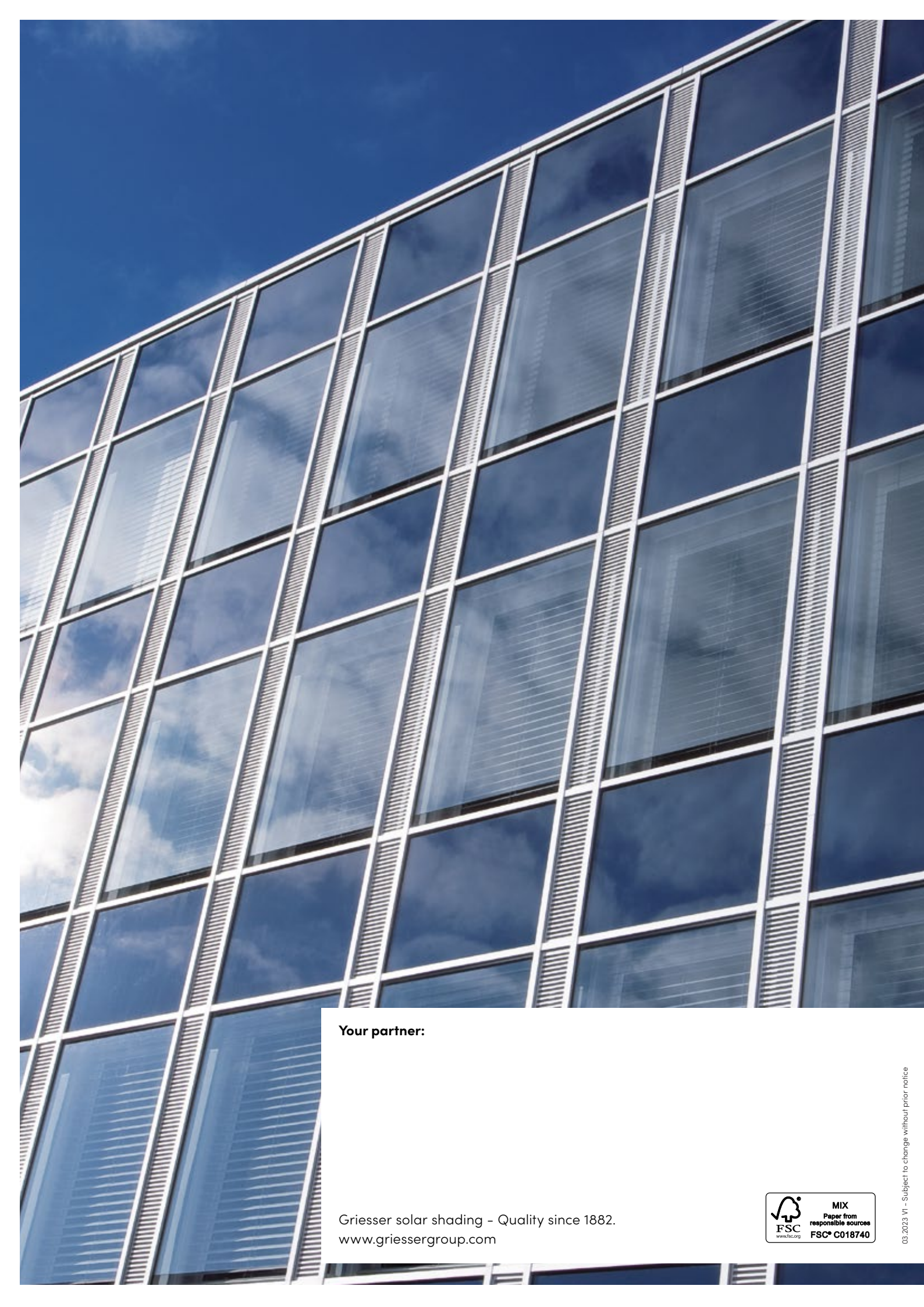
Header dimensions are approximate values which may exhibit negative or positive deviations depending on the technical circumstances.

\* If surface area > 12m<sup>2</sup> or bk > 4000, the end rail is set in type 20.

Then hs = hs +10.







**Your partner:**

Griesser solar shading – Quality since 1882.  
[www.griessergroup.com](http://www.griessergroup.com)

