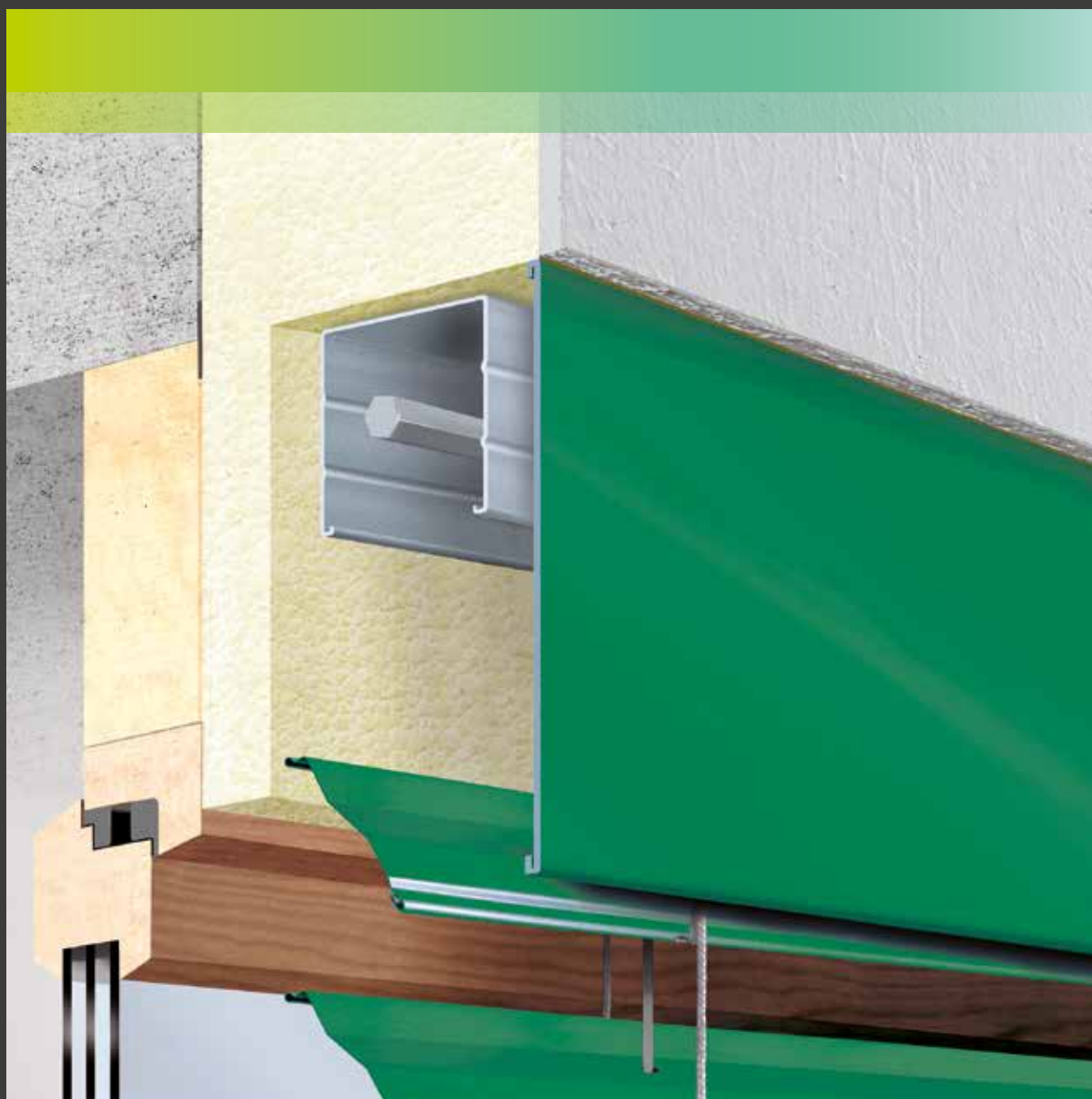
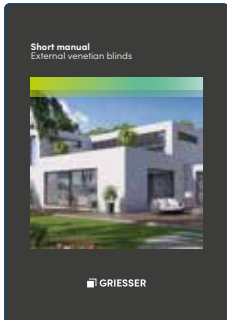


# Short manual Covers

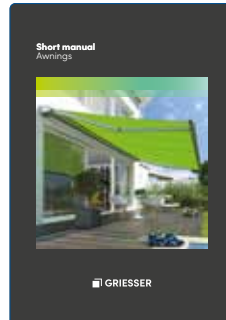




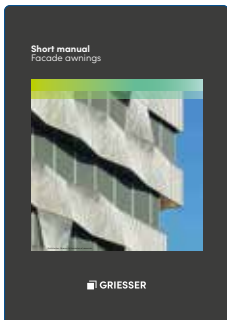
## All short manuals for download



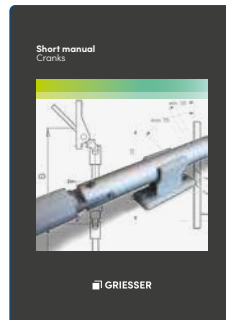
[External venetian blinds](#)



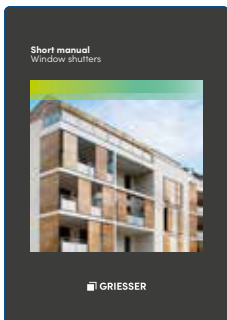
[Awnings](#)



[Facade awnings](#)



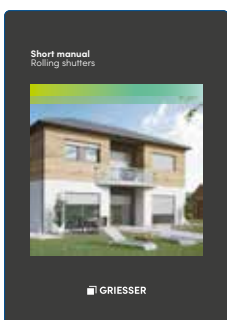
[Cranks](#)



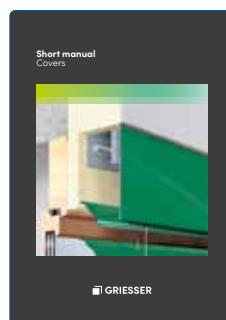
[Window shutters](#)



[Connection technique](#)



[Rolling shutters](#)




[Covers](#)



# Covers

## Table of contents

<b>General Information</b>	<b>5</b>
<b>Cover types</b>	<b>11</b>
<b>Index</b>	<b>21</b>

 The information and values given refer to our products in their standard version according to the brochure and intended use/application.



# General Information

Limit dimensions	6
Sheet thicknesses	8
Complete clip	8
Miter joints (Principle)	9



Production-related sheet metal connection points (stitches) are visible.

**Limit dimensions**

Type	Miter joint possible	Corner connection possible	HF min.	HF max.	LF min.	LF max. LF1G LF2G	BU min.	BU max.	LU min.	LU max. LU1G LU2G
1.1	●	●	160	500	200	4000 4000 4000				
1.3	●	●	165	500	200	4000 4000				
1.4	-	-	160	400	200	4000 <sup>1</sup> 4000				
1.5	●	●	50	200	200	3900 3800 4000				
1.6	●	●	160	500	200	4000 4000				
1.7	●	●	160	500	200	4000 4000 4000	60	300	50	4000 3700 3400
2.1	-	-	50	400	100	4000 4000				4000
3.1	●	●	160	500	100	3650 3300 4000	60	300	50	3700 3400 4000
4.1	●	●	160	500	100	3650 3300 4000	60	300	50	3700 3400 4000
5.1	●	●	160	500	200	3700 3400 4000				
5.2	●	●	160	500	100	3700 3400 4000				
5.3	●	-	100	400	100	3780 3560 4000				
5.4	●	-	100	400	100	3780 3560				

<sup>1</sup> Soffit installation only, without brackets. Recommended for max. widths of 2500.

**HF** Height of front panel  
**LF** Length of front panel  
**BU** Width of soffit  
**LU** Length of soffit

**LF1G | LU1G** with miter joint on left or right  
**LF2G | LU2G** with miter joint on left and right

## ▶▶ Limit dimensions

Type	Miter joint possible	Corner connection possible	HF min.	HF max.	LF min.	LF max. LF1G LF2G	BU min.	BU max.	LU min.	LU max. LU1G LU2G
6.1	●	●	160	500	200	4000 4000	60	300	50	3700 3400
6.2	●	●	160	500	200	4000 4000	60	300	50	3700 3400
7.1	●	–					60	300	50	3700 3400
7.2	●	–					17	140	50	3940 3880
7.3	–	–					17	140	50	1500 1450 1400
8.1	●	●	160	500	100	4000 3650 3300				
8.2	●	●	160	500	100	4000 3650 3300				
8.3	●	–	160	500	100	4000 3650 3300				
9.1	●	–	200	500	200	4000 3836 3672				
9.2	●	–	100	500	100	4000 3550 3100				
9.3			160	500	200	4000 4000				
9.4	●	–	200	400	100	3836 3672				

**HF** Height of front panel

**LF** Length of front panel

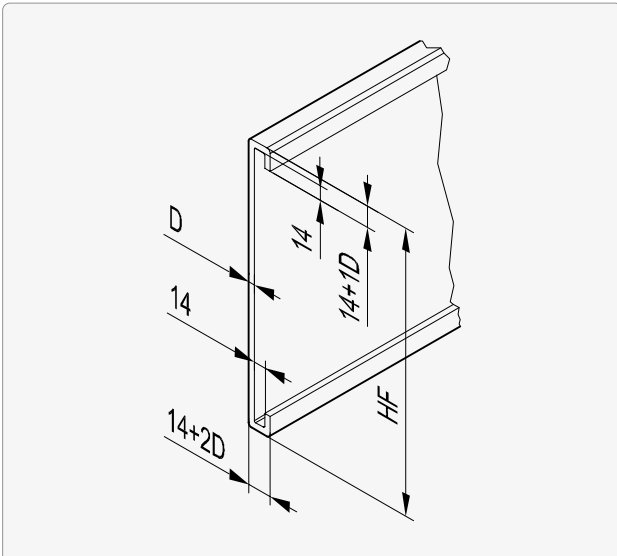
**BU** Width of soffit

**LU** Length of soffit

**LF1G | LU1G** with miter joint on left or right  
**LF2G | LU2G** with miter joint on left and right

### Sheet thicknesses

#### Folding for U-shaped front panels

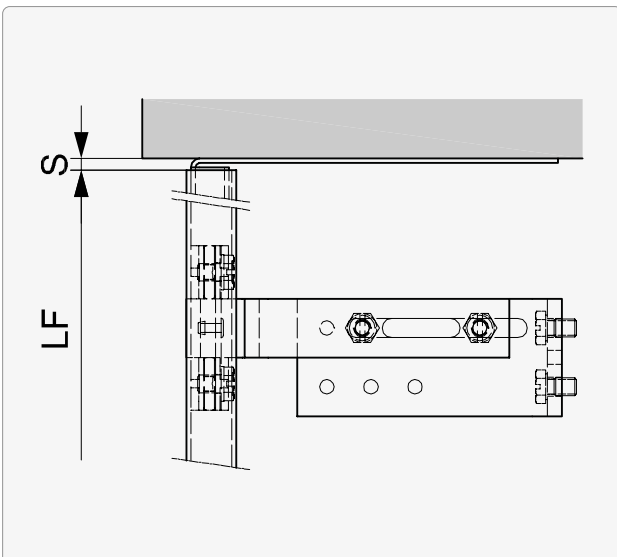


**D**

1.5<sup>1</sup>

2.0<sup>2</sup>

#### Reserve for closing panel

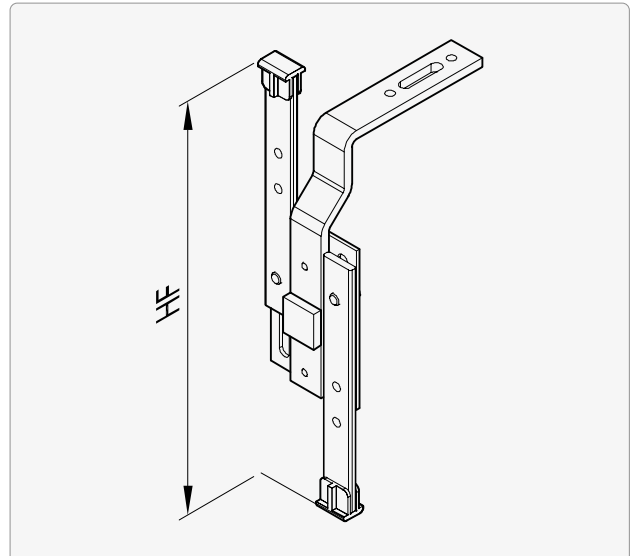


**S**

2.0<sup>1</sup>

3.0<sup>2</sup>

### Complete clip



<sup>1</sup> Standard (within limit dimensions)

<sup>2</sup> Outside limit dimensions

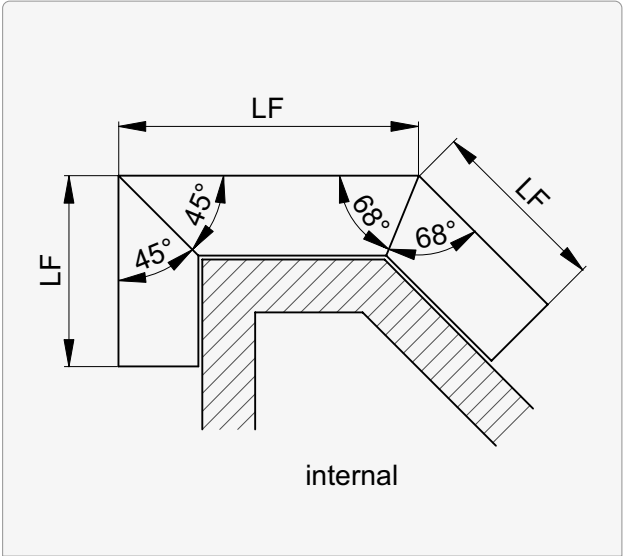
**HF** Height of front panel

**LF** Length of front panel



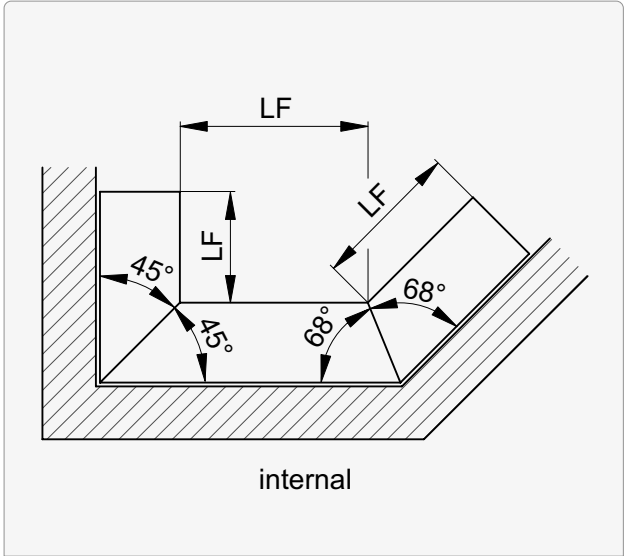
### Miter joints (Principle)

external



**i** Convex corner when viewed from inside  
e.g. type 8.2

internal



**i** Re-entrant corner when viewed from inside  
e.g. type 8.2

**LF** Length of front panel

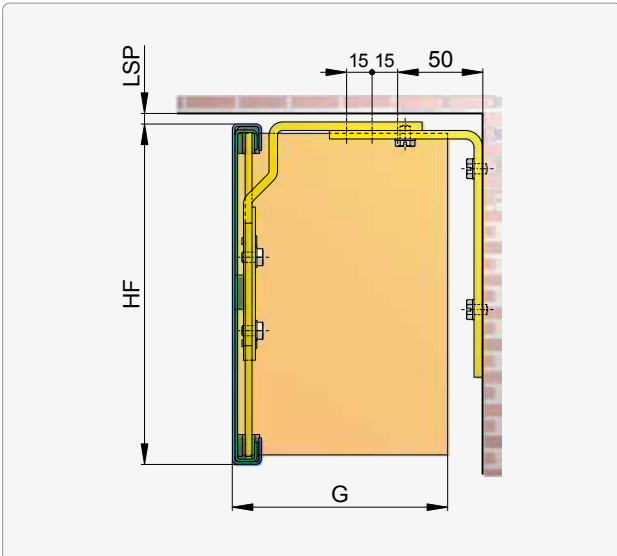


# Cover types

Open header	12
Facade	16

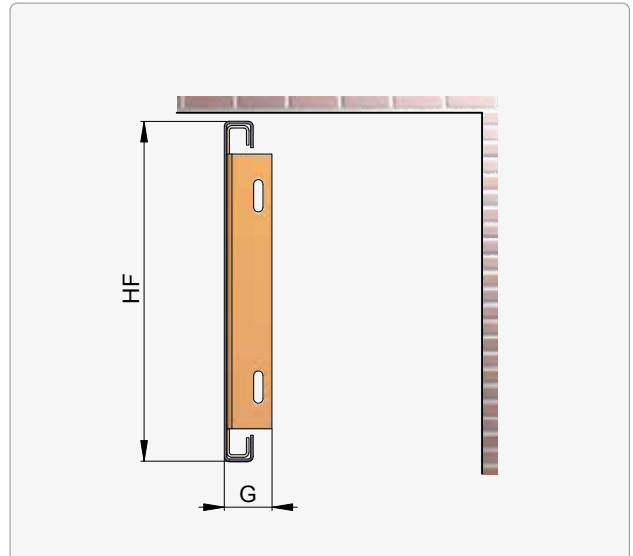
## Open header

### 1.1 Straight cover



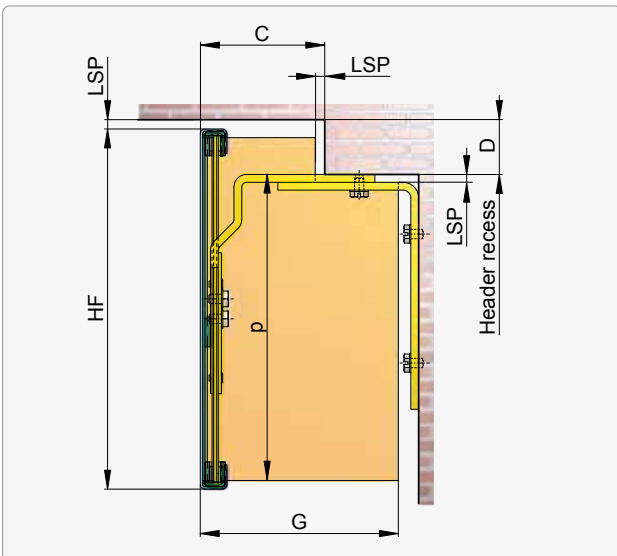
<b>Corner connections</b>	possible
<b>Closing panel</b>	loose or fixed
<b>Clip, fastening</b>	at top or rear

### 1.4 Straight cover, without clip



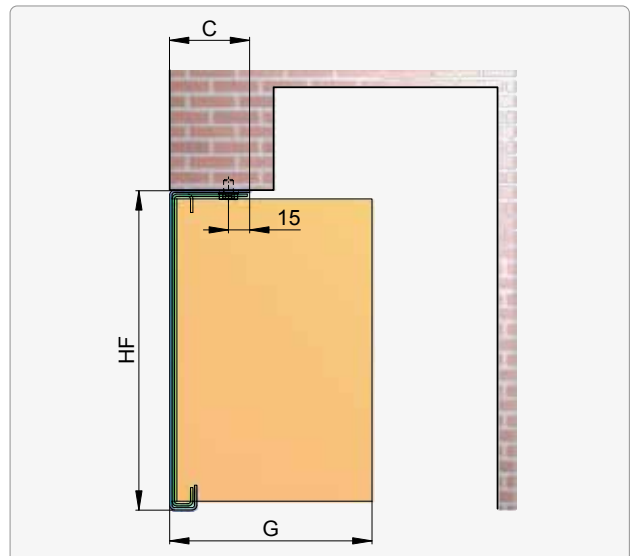
<b>Corner connections</b>	none
<b>Closing panel</b>	loose or fixed
<b>Fastening</b>	lateral

### 1.3 Straight cover



<b>Corner connections</b>	possible
<b>Closing panel</b>	loose or fixed
<b>Clip, fastening</b>	at top or rear

### 1.5 Header extension, without clip

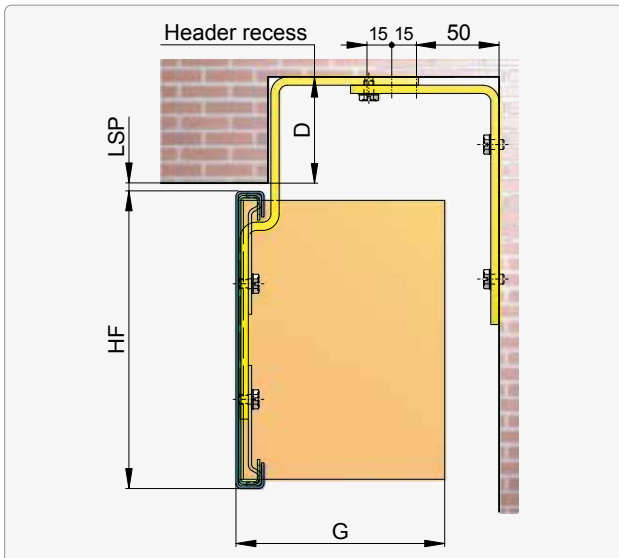


<b>Corner connections</b>	possible
<b>Closing panel</b>	loose or fixed
<b>Fastening</b>	at top

**i** Blind package positioned lower

►► Open header

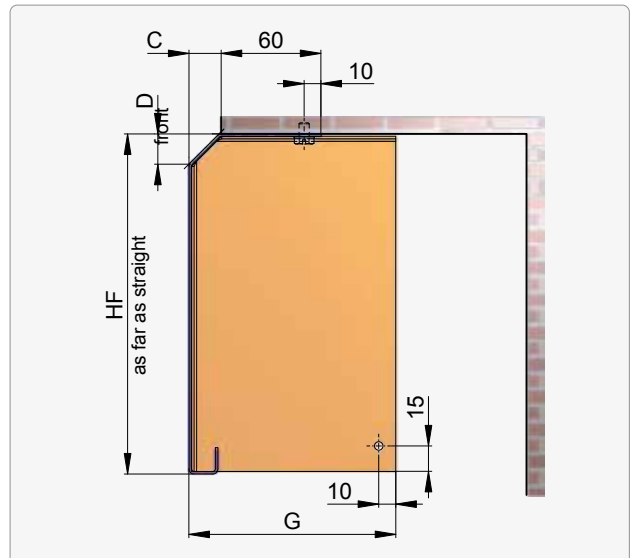
1.6 Straight cover



<b>Corner connections</b>	possible
<b>Closing panel</b>	loose or fixed
<b>Clip, fastening</b>	at top or rear

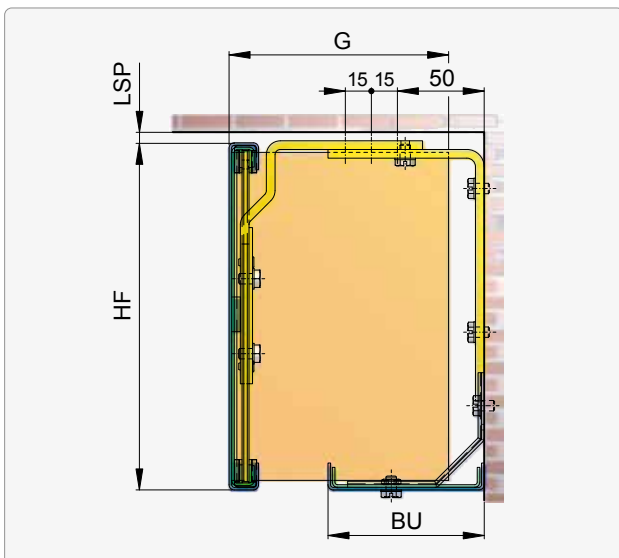
**i** Clip extended at top

2.1 Protruding cover, without clip



<b>Corner connections</b>	none
<b>Closing panel</b>	loose or fixed
<b>Fastening</b>	at top

1.7 Straight cover

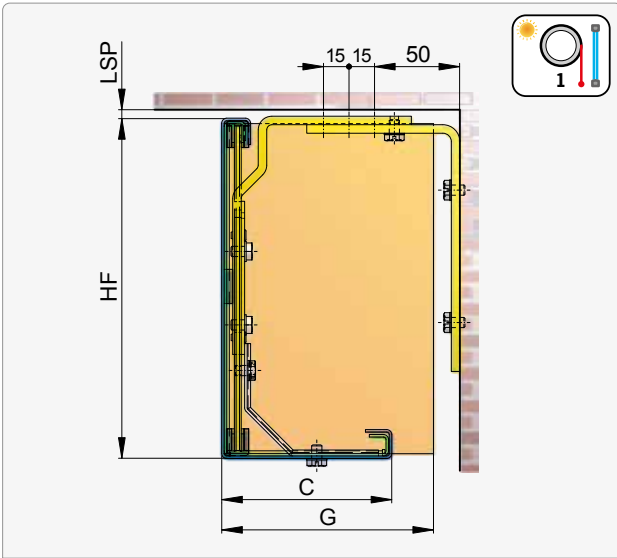


<b>Corner connections</b>	possible
<b>Closing panel</b>	loose or fixed
<b>Soffit</b>	removable
<b>Clip, fastening</b>	at top or rear

- BU** Width of soffit
- C** Depth of front panel
- G** Depth of closing panel
- HF** Height of front panel
- LSP** Light gap = 5

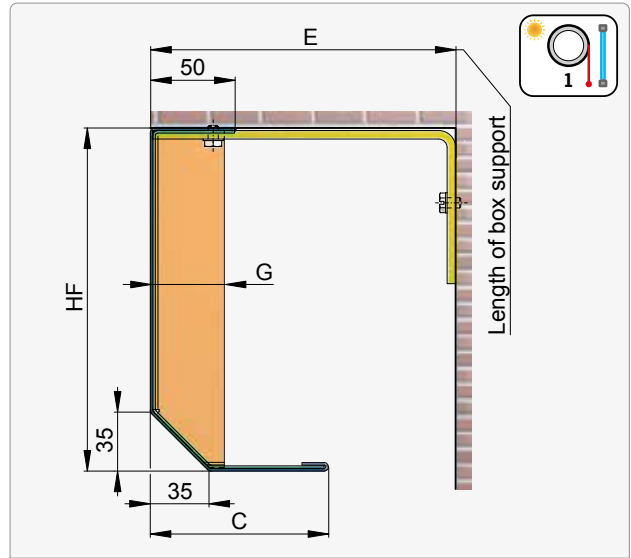
►► Open header

5.1 Straight cover



<b>Corner connections</b>	possible
<b>Closing panel</b>	loose or fixed
<b>Soffit</b>	fixed
<b>Clip, fastening</b>	at top or rear

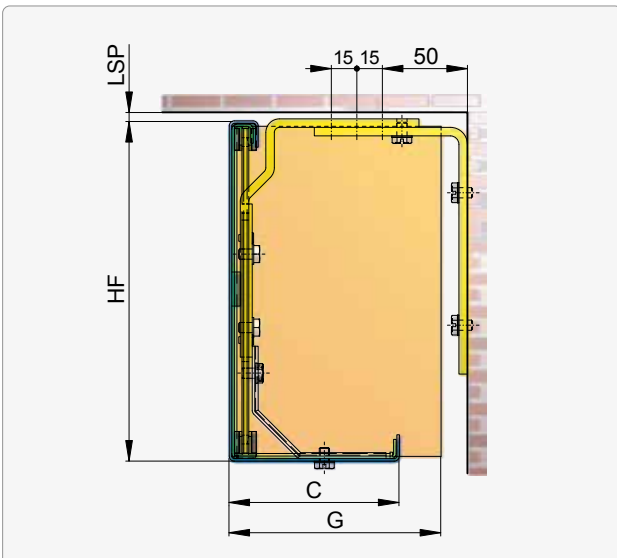
5.3 Cover 45° at bottom



<b>Corner connections</b>	none
<b>Closing panel</b>	loose or fixed
<b>Soffit</b>	fixed
<b>Fastening</b>	at top*

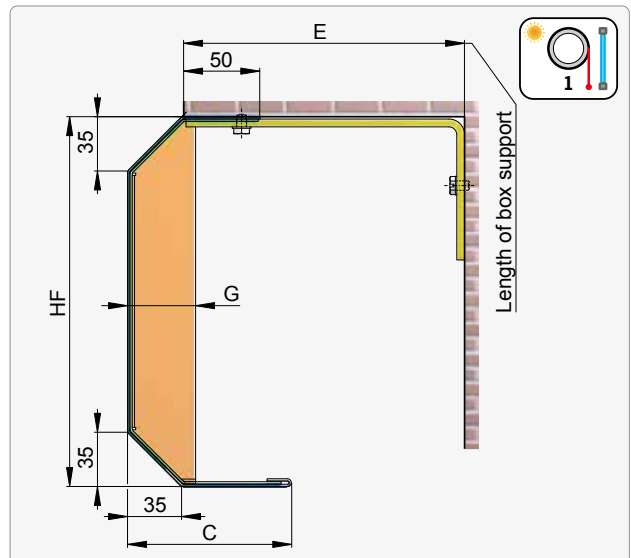
\* with box support

5.2 Straight cover



<b>Corner connections</b>	possible
<b>Closing panel</b>	loose or fixed
<b>Soffit</b>	fixed, completely closed
<b>Clip, fastening</b>	at top or rear

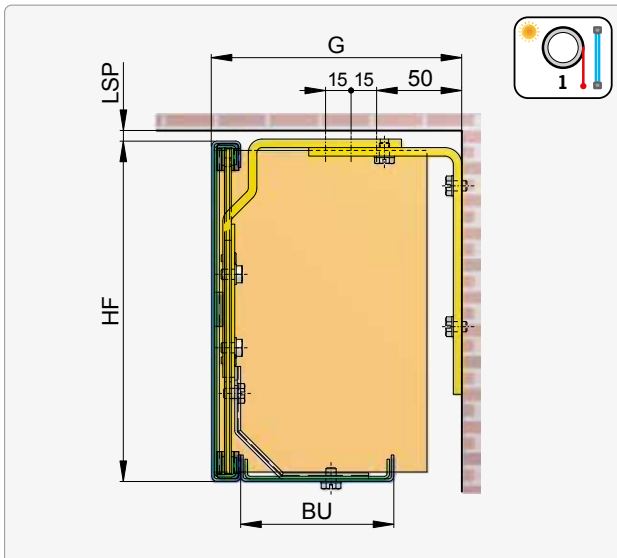
5.4 Cover 45° at top and bottom



<b>Corner connections</b>	none
<b>Closing panel</b>	loose or fixed
<b>Soffit</b>	fixed
<b>Fastening</b>	at top or rear

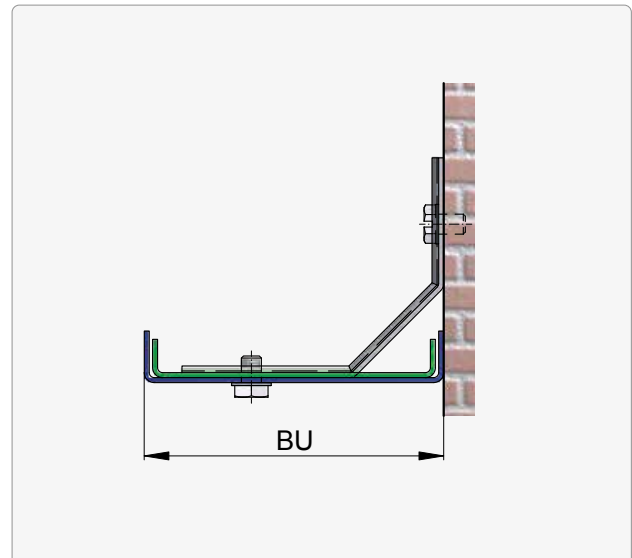
►► Open header

6.1 Straight cover



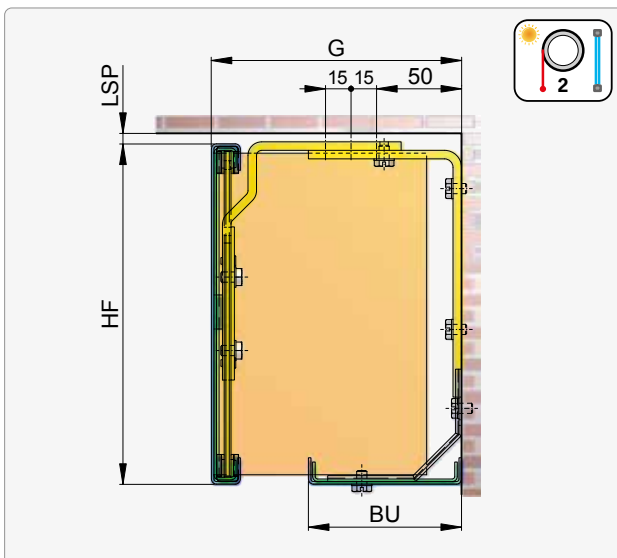
<b>Corner connections</b>	possible
<b>Closing panel</b>	loose or fixed
<b>Soffit</b>	removable
<b>Clip, fastening</b>	at top or rear

7.1 Soffit from 60 mm



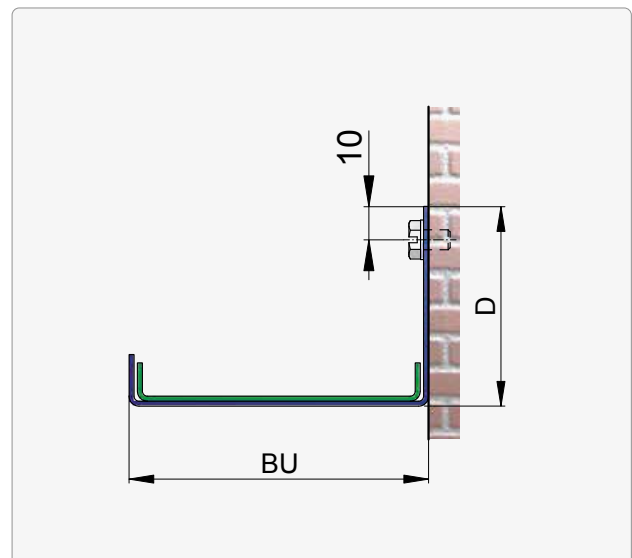
<b>Corner connections</b>	none
<b>Clip, fastening</b>	at rear

6.2 Straight cover



<b>Corner connections</b>	possible
<b>Closing panel</b>	loose or fixed
<b>Soffit</b>	removable
<b>Clip, fastening</b>	at top or rear

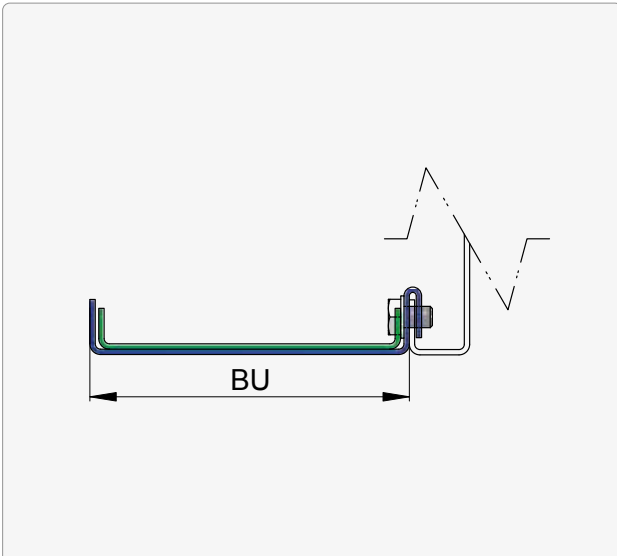
7.2 Soffit to 140 mm without clip



<b>Corner connections</b>	none
<b>Clip, fastening</b>	at rear

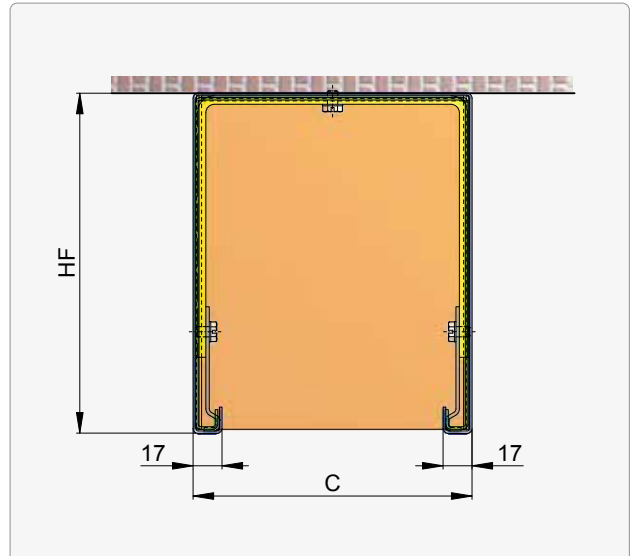
**Facade**

**7.3 Soffit for hanging, without clip**



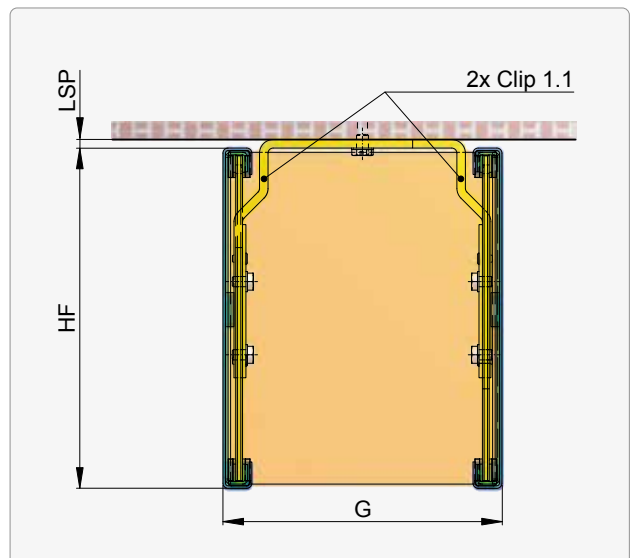
<b>Corner connections</b>	none
---------------------------	------

**9.2 Cover below header**



<b>Corner connections</b>	none
<b>Closing panel</b>	loose or fixed
<b>Clip, fastening</b>	at top or rear

**9.3 Cover inside and outside below header**



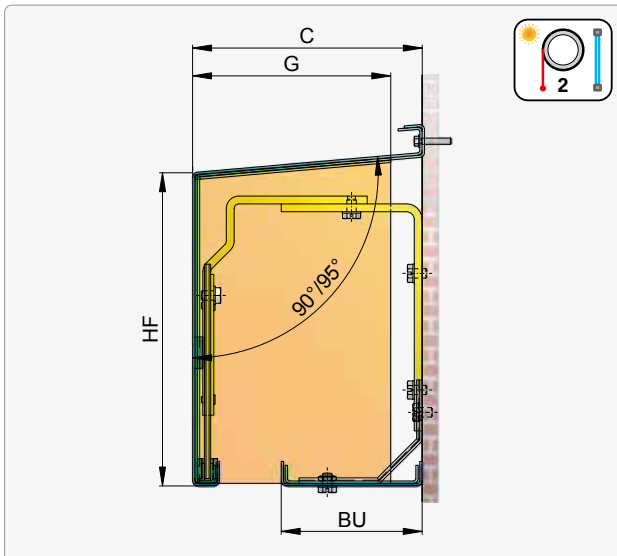
<b>Corner connections</b>	none
<b>Closing panel</b>	loose
<b>Clip, fastening</b>	at top

- BU** Width of soffit
- C** Depth of front panel
- G** Depth of closing panel
- HF** Height of front panel
- LSP** Light gap = 5



►► Facade

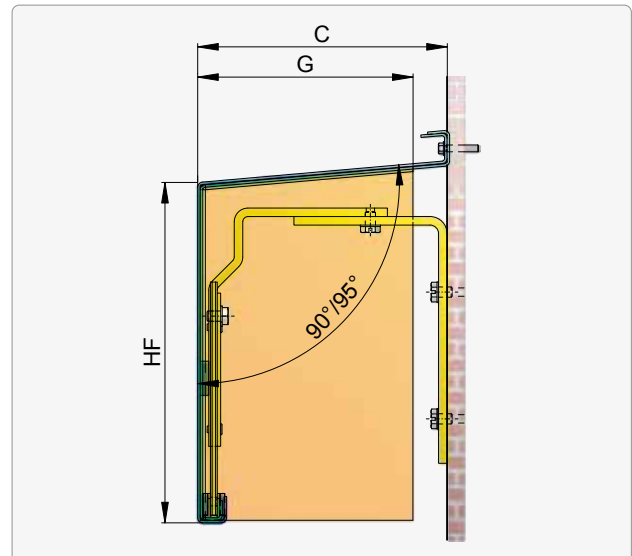
3.1 Porch cover



<b>Corner connections</b>	possible
<b>Closing panel</b>	loose or fixed
<b>Soffit</b>	removable
<b>Clip, fastening</b>	at rear

Option with 90° (depth C)

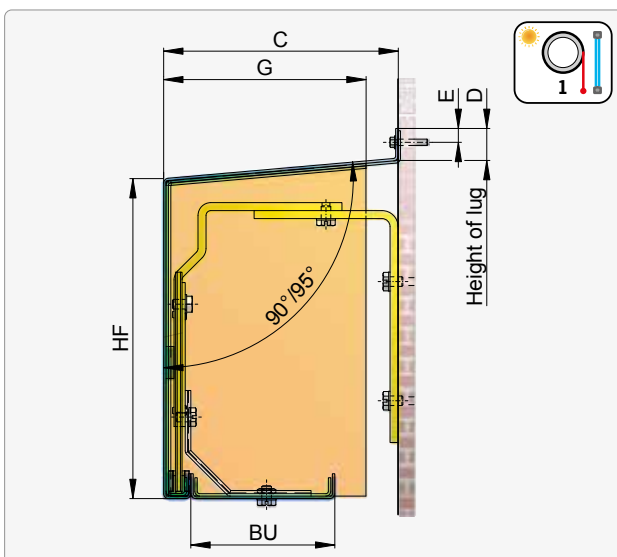
8.1 Porch cover



<b>Corner connections</b>	possible
<b>Closing panel</b>	loose or fixed
<b>Clip, fastening</b>	at rear

Option with 90° (depth C)

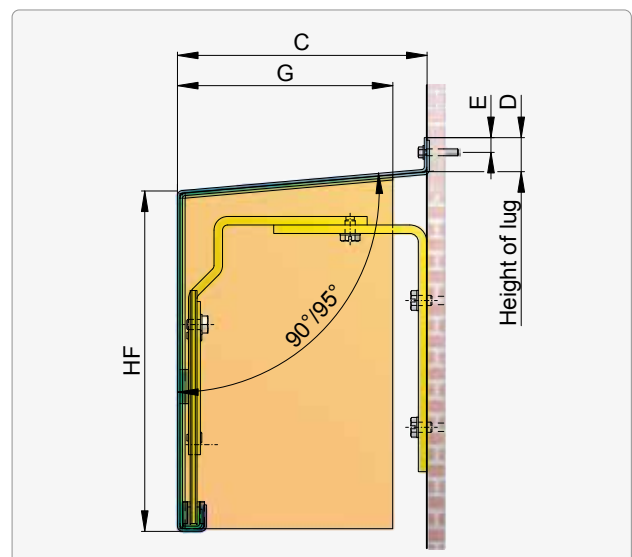
4.1 Porch cover



<b>Corner connections</b>	possible
<b>Closing panel</b>	loose or fixed
<b>Soffit</b>	removable
<b>Clip, fastening</b>	at rear

Option with 90° (depth C)

8.2 Porch cover below weatherboard

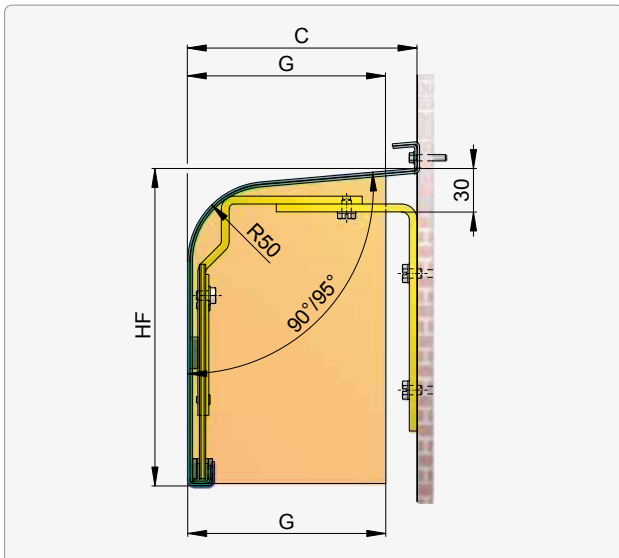


<b>Corner connections</b>	possible
<b>Closing panel</b>	loose or fixed
<b>Clip, fastening</b>	at rear

Option with 90° (depth C)  
Option of ledge at bottom (D dimension)

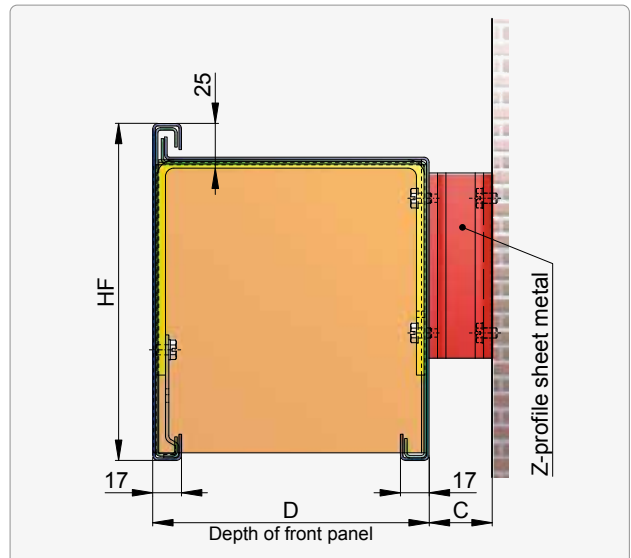
►► Facade

8.3 Porch cover, semi-circular



<b>Corner connections</b>	none
<b>Closing panel</b>	fixed
<b>Clip, fastening</b>	at rear

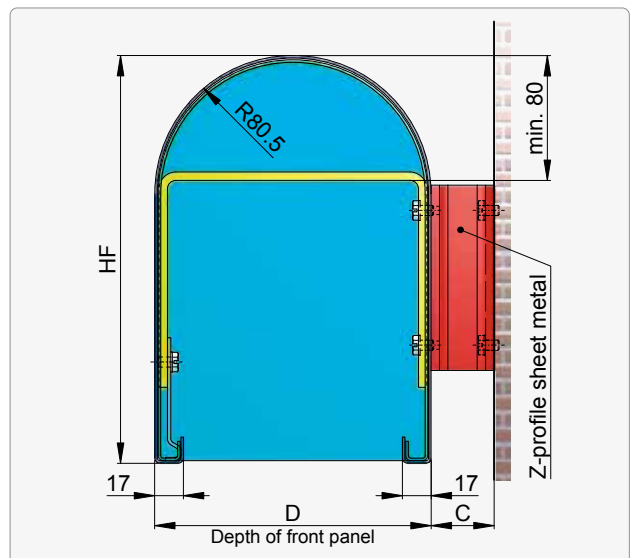
9.1 Suspended cover



<b>Corner connections</b>	none
<b>Closing panel</b>	loose
<b>Clip, fastening</b>	at rear

Distance from facade: **min. 20**  
 Z-bracket (C dimension): **20...50**

9.4 Suspended round cover



<b>Corner connections</b>	none
<b>Closing panel</b>	fixed
<b>Clip, fastening</b>	at rear

Distance from facade: **min. 20**  
 Z-bracket (C dimension): **20...50**

- BU** Width of soffit
- C** Depth of front panel
- G** Depth of closing panel
- HF** Height of front panel
- LSP** Light gap = 5





# Index

**C****Complete clip** 8**Cover types**

## Facade

3.1 Porch cover	17
4.1 Porch cover	17
7.3 Soffit for hanging, without clip	16
8.1 Porch cover	17
8.2 Porch cover below weatherboard	17
8.3 Porch cover, semi-circular	18
9.1 Suspended cover	18
9.2 Cover below header	16
9.3 Cover inside and outside below header	16
9.4 Suspended round cover	18

## Open header

1.1 Straight cover	12
1.3 Straight cover	12
1.4 Straight cover, without clip	12
1.5 Header extension, without clip	12
1.6 Straight cover	13
1.7 Straight cover	13
2.1 Protruding cover, without clip	13
5.1 Straight cover	14
5.2 Straight cover	14
5.3 Cover 45° at bottom	14
5.4 Cover 45° at top and bottom	14
6.1 Straight cover	15
6.2 Straight cover	15
7.1 Soffit from 60 mm	15
7.2 Soffit to 140 mm without clip	15

**L****Limit dimensions** 6**M****Miter joints (principle)** 9**S****Sheet thicknesses** 8



Inspired by the **Sun.**

---

[griesser.com](https://griesser.com)



Subject to change without prior notice 20241115 Item no. 185054