

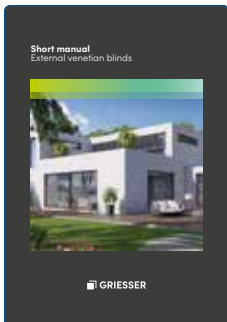
Short manual

Facade awnings

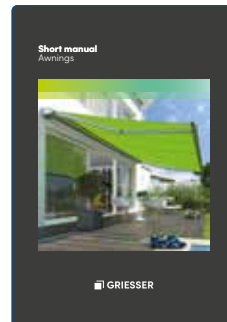




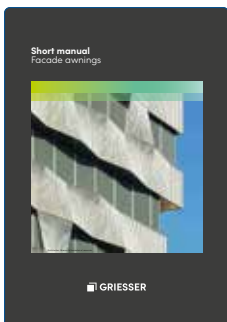
All short manuals for download



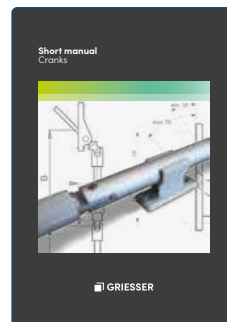
[External venetian blinds](#)



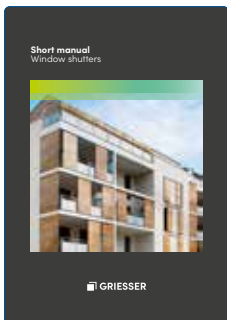
[Awnings](#)



[Facade awnings](#)



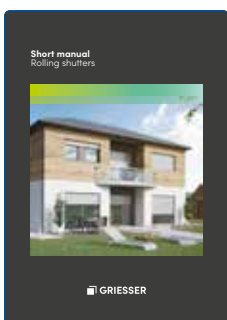
[Cranks](#)



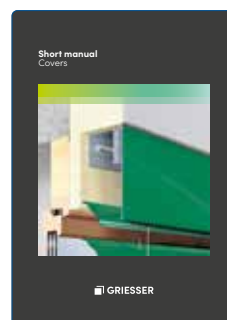
[Window shutters](#)



[Connection technique](#)



[Rolling shutters](#)



[Covers](#)



Facade awnings

Table of contents

Solozip® II		5
Soloscreen® IV		50
Soloroll® II		137
Sigara®	Phase-out	161
Galleria®	Phase-out	205
Tube®	Phase-out	231
Soloscreen® III	Phase-out	247
Annex		273
Index		285

i The information and values given refer to our products in their standard version according to the brochure and intended use/application.

Solozip® II

Limit dimensions Solozip® II Intro 95	6
Limit dimensions Solozip® II Intro 100 Solozip® II Box 100	7
Limit dimensions Solozip® II Intro 130 Solozip® II Box 130	8
Box versions	10
Built-in system	12
Built-in system with recessed guide rails	14
Built-in system with two-part guide rails	15
Installation system with box	16
Bottom rail	18
Soffit covers	19
Profile Hirschmann	20
Housing fastening	21
Motor cable outlet	24
Front cover of the box	25
Guide rails	26
Sections Details	27
Guide rail installation (principle)	32
Guide rail fastenings (principle)	34
Guide extension and facet	39
Fastening points Solozip® II Intro 95	40
Fastening points Solozip® II Intro 100	42
Fastening points Solozip® II Intro 130	44
Fastening points Solozip® II Box 100	46
Fastening points Solozip® II Box 130	48

Limit dimensions Solozip® II Intro 95

Single awning width min. (bk)

bk mín.	Intro 95
Motor	Tube Ø 70
Geiger	640
SIMU T5	750
SIMU T3,5 Solar	-
Griesser	660
Griesser radio	710
Somfy	680
Somfy RTS	785
Somfy IO	785
Somfy LS40 short	555
Somfy Sunea IO Solar	-
Elero Suntop	625
Elero Suntop 868	625

Single awning dimensions max. (bk, gh, Surface)

bk, gh, Surface max.	Tube Ø 70		
Fabric collection	bk max.	gh max.	Surface* max.
Soltis 7635 / Satiné 5500	3500	3000	10.5m ²
Satiné 21154	3500	3000	10.5m ²
Soltis 86, 92, Acryl	3500	3000	10.5m ²
Soltis B92	3500	3000	10.5m ²
Soltis Veozip	3500	2400	8.4m ²

Single awning height gh min. = 800

* **The height-width ratio** may not exceed 5 ($gh / bk \leq 5$).

i Use a spirit level to plumb tubes and guide rails!

i **Parallel alignment** of the guide rails:
Standard guide rails: **bk ± 2 mm**

! **Balcony shutters require separate clarifications!**

➔ Definitions of dimensions 274

Limit dimensions Solozip® II Intro 100 | Solozip® II Box 100

Single awning width min. (bk)

bk mín.	Intro 100 / Box 100 CS	Intro 100 CE
Motor	Tube Ø85	Tube Ø85
Geiger	650	800
SIMU T5	750	800
SIMU T3,5 Solar	- / 620**	-
Griesser	660	800
Griesser radio	710	800
Somfy	680	800
Somfy RTS	785	800
Somfy IO	785	800
Somfy LS40 short	555	800
Somfy Sunea IO Solar	- / 620**	-
Elero Suntop	625	800
Elero Suntop 868	625	800

Single awning dimensions max. (bk, gh, Surface)

bk, gh, Surface max.	Tube Ø85		
Fabric collection	bk max.	gh max.	Surface* max.
Soltis 7635 / Satiné 5500	4000	3000	12m ²
Satiné 21154	4000	3000	12m ²
Soltis 86, 92, Acryl	4000	3000	12m ²
Soltis B92	4000	3000	12m ²
Soltis Veozip	4000	2400	9.6m ²

Single awning height gh min. = 800

* The height-width ratio may not exceed 5 ($gh / bk \leq 5$).

** Box square only

i Use a spirit level to plumb tubes and guide rails!

i Parallel alignment of the guide rails:

Standard guide rails: **bk ±2 mm**

Recessed guide rails: **bk ±3 mm**

! Balcony shutters require separate clarifications!

➔ Definitions of dimensions 274

Limit dimensions Solozip® II Intro 130 | Solozip® II Box 130

Single awning width min. (bk)

bk mín.	Intro 130 / Box 130 CS		Intro 130 CE	
	Tube Ø 85	Tube Ø 100	Tube Ø 85	Tube Ø 100
Geiger	700	745	800	800
SIMU T5	835	860	835	860
SIMU T3,5 Solar	-	-	-	-
Griesser	670	745	800	800
Griesser radio	740	800	800	800
Somfy	765	765	800	800
Somfy RTS	815	850	815	850
Somfy IO	835	-	835	-
Somfy LS40 short	600	-	800	800
Somfy Sunea IO Solar	-	-	-	-
Elero Suntop	715	730	800	800
Elero Suntop 868	715	730	800	800

Single awning dimensions max. (bk, gh, Surface)

bk, gh, Surface max.	Tube Ø 85			Tube Ø 100		
	bk max.	gh max.	Surface* max.	bk max.	gh max.	Surface* max.
Soltis 7635 / Satiné 5500	4000	3000	12m ²	6000	6000	18m ²
Satiné 21154	4000	3000	12m ²	6000	6000	18m ²
Soltis 86, 92, Acryl	4000	3000	12m ²	4500	5000	15m ²
Soltis B92	4000	3000	12m ²	4000	5000	15m ²
Soltis Veozip	4000	3000	12m ²	4500	4900	15m ²

Single awning height gh min. = 800

* The height-width ratio may not exceed 5 (gh / bk ≤ 5).

i Use a spirit level to plumb tubes and guide rails!

i Parallel alignment of the guide rails:

Standard guide rails: **bk ± 2 mm**

Recessed guide rails: **bk ± 3 mm**

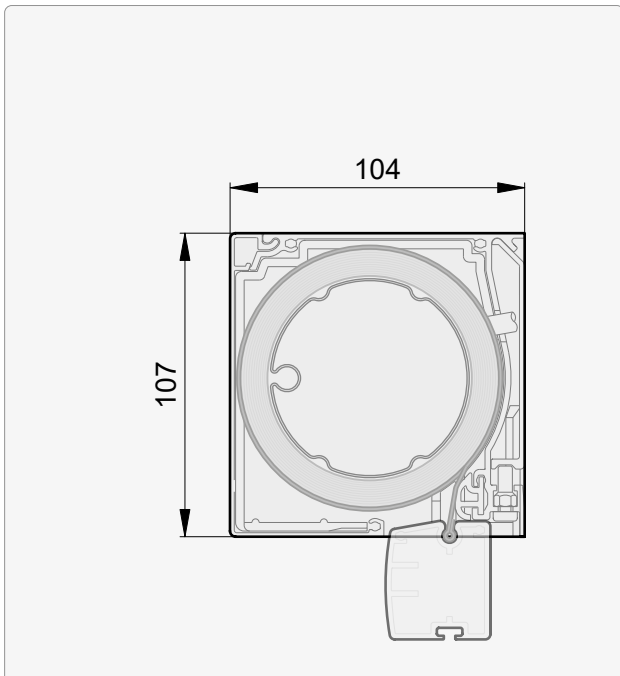
! Balcony shutters require separate clarifications!

➔ Definitions of dimensions 274

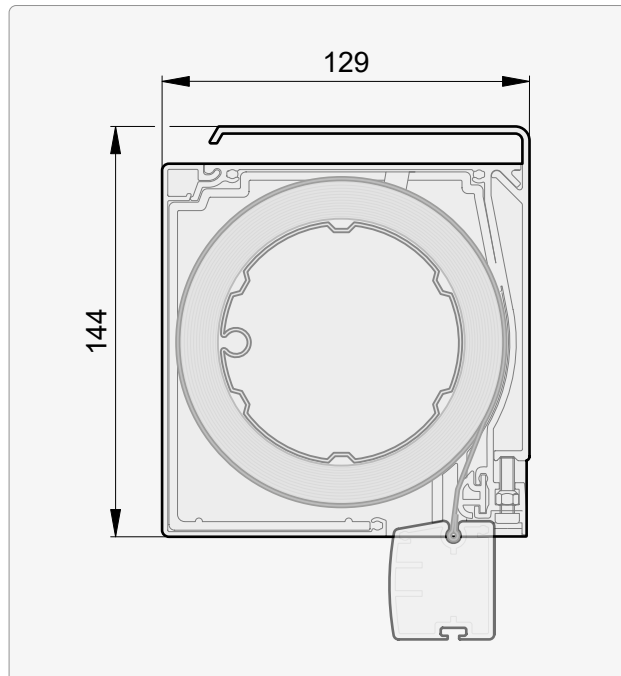
Box versions

Box square

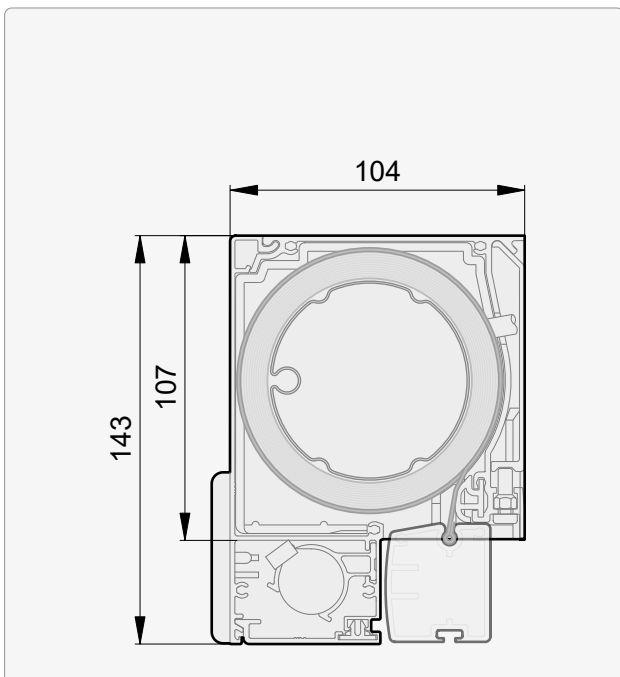
Solozip® II Box 100



Solozip® II Box 130

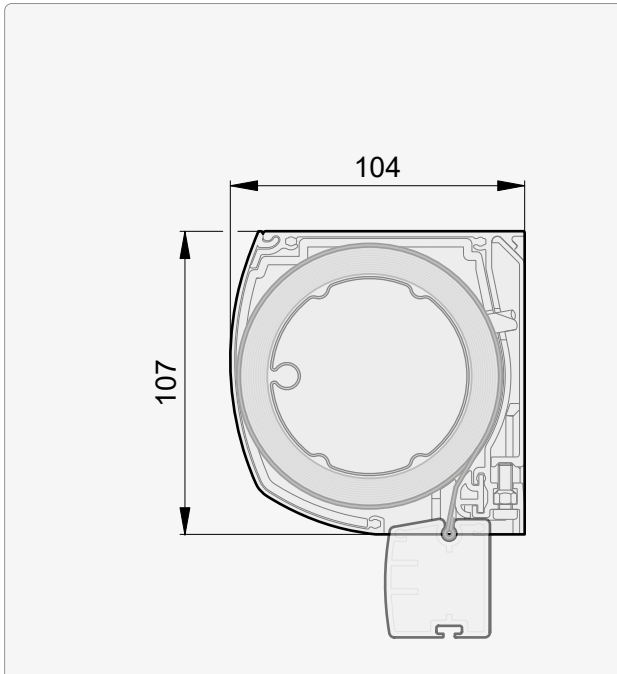


Solozip® II Box Solar

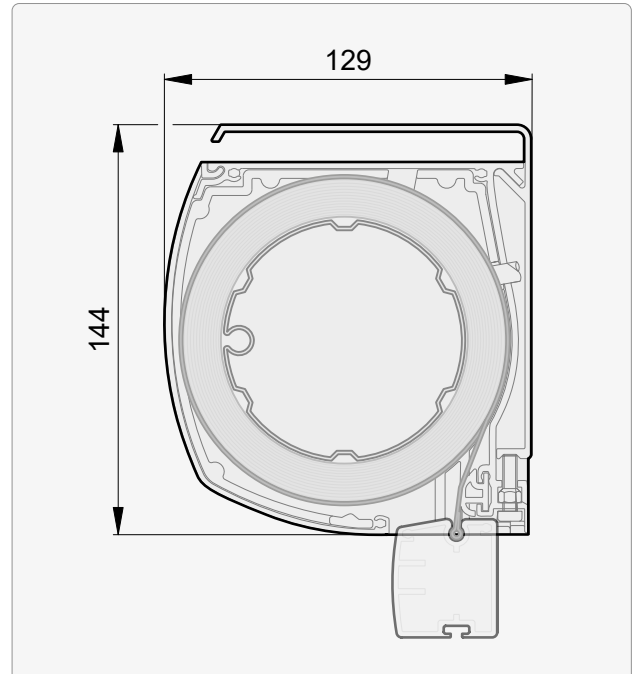


►► Box versions**Box Design**

Solozip® II Box 100



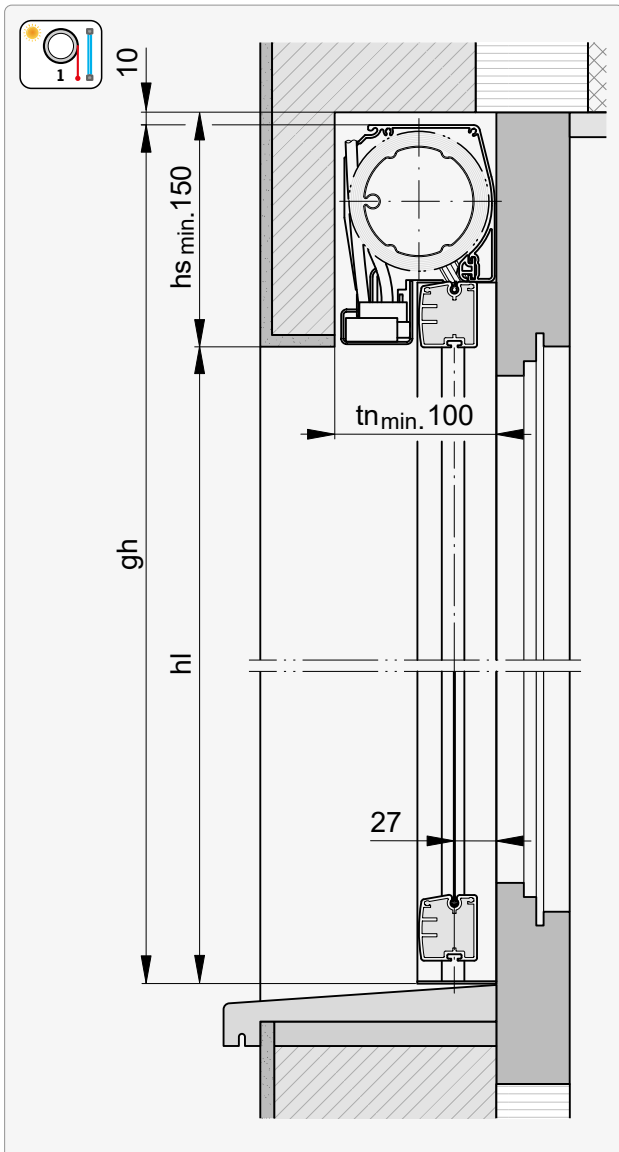
Solozip® II Box 130



Built-in system

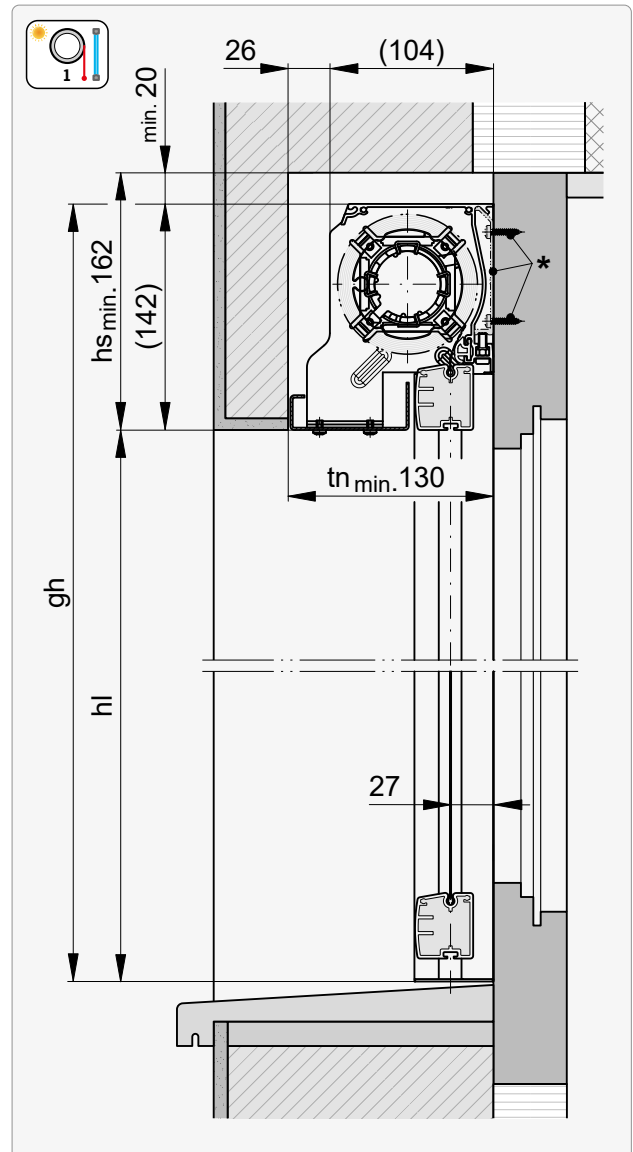
Vertical section: Solozip® II Intro 95

CS



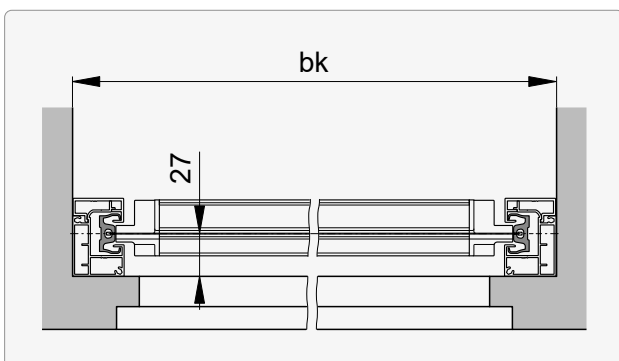
Vertical section: Solozip® II Intro 100

CS

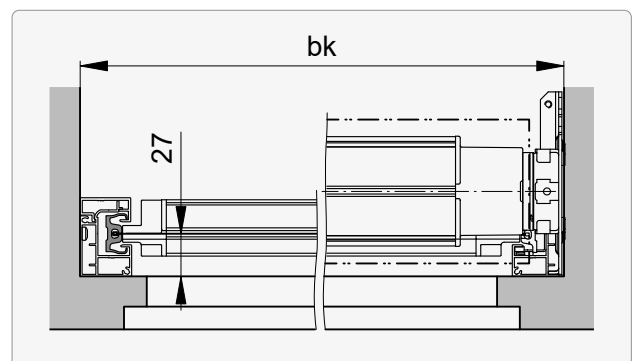


* an **additional holder** is required when **bk > 3500**

Horizontal section: Solozip® II Intro 95



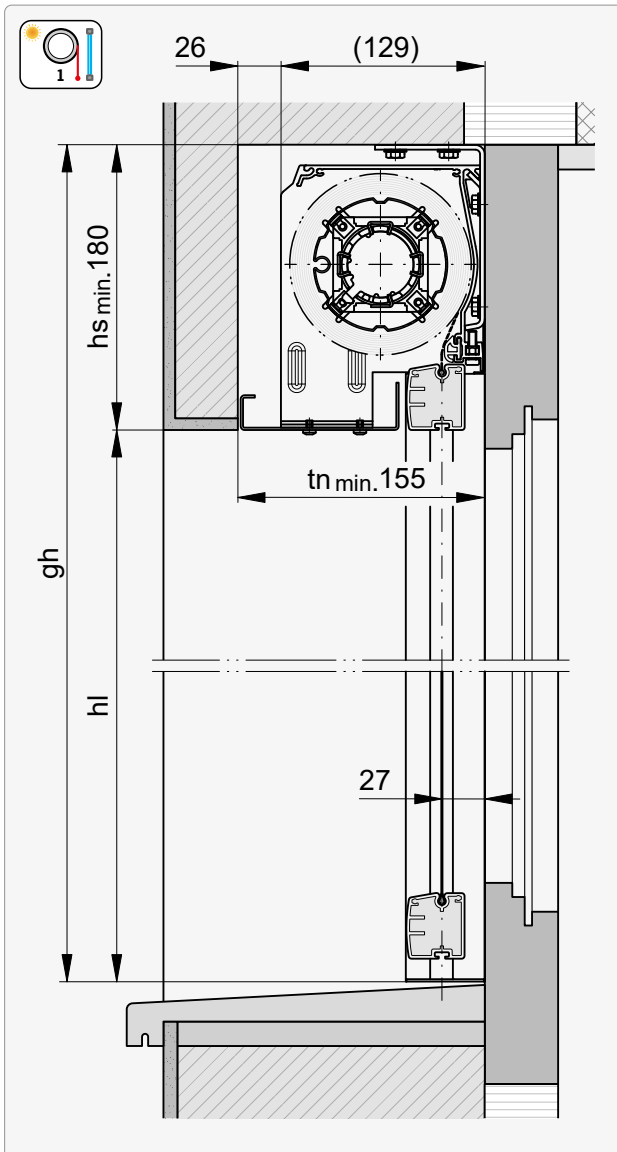
Horizontal section: Solozip® II Intro 100



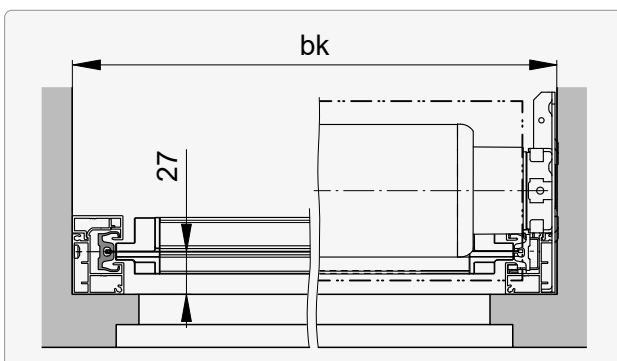
►► Built-in system

Vertical section: Solozip® II Intro 130

CS



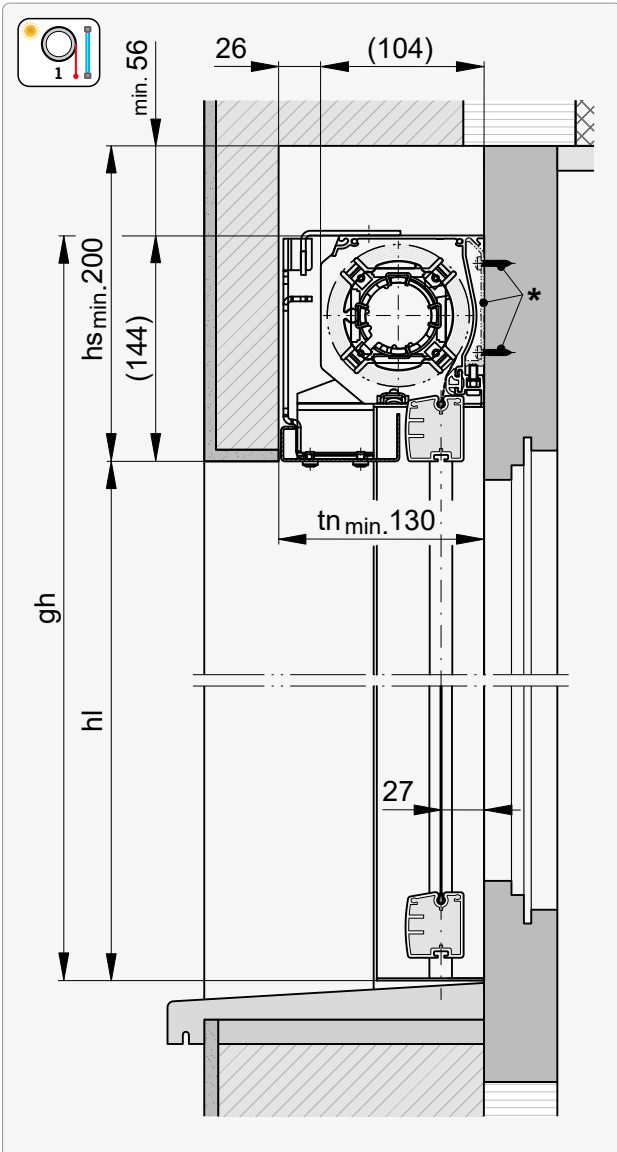
Horizontal section: Solozip® II Intro 130



Built-in system with recessed guide rails

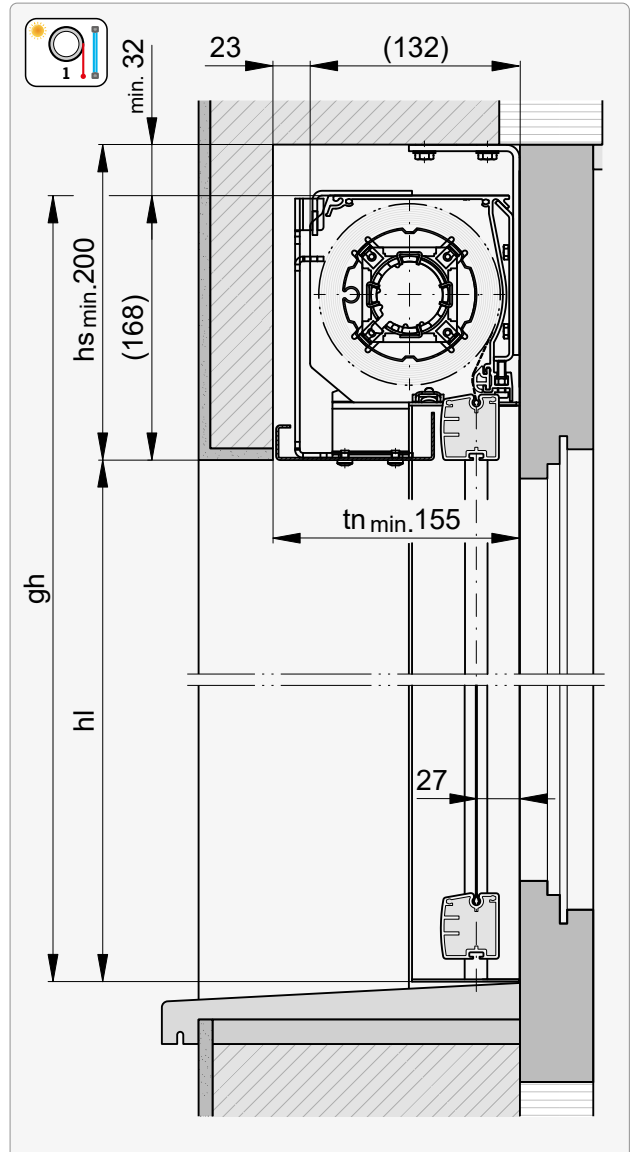
Vertical section: Solozip® II Intro 100

CE



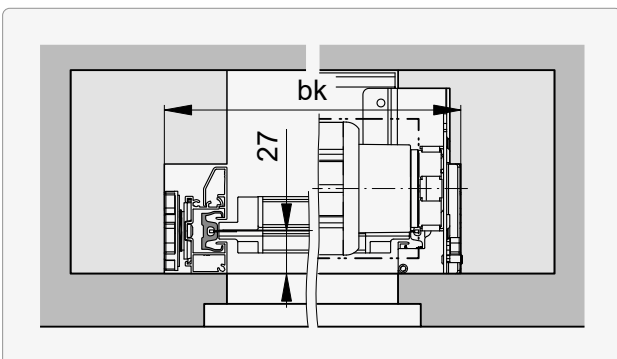
Vertical section: Solozip® II Intro 130

CE

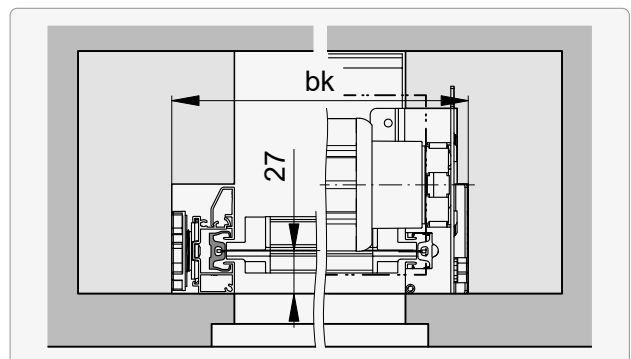


* an **additional holder** is required when **bk > 3500**

Horizontal section: Solozip® II Intro 100



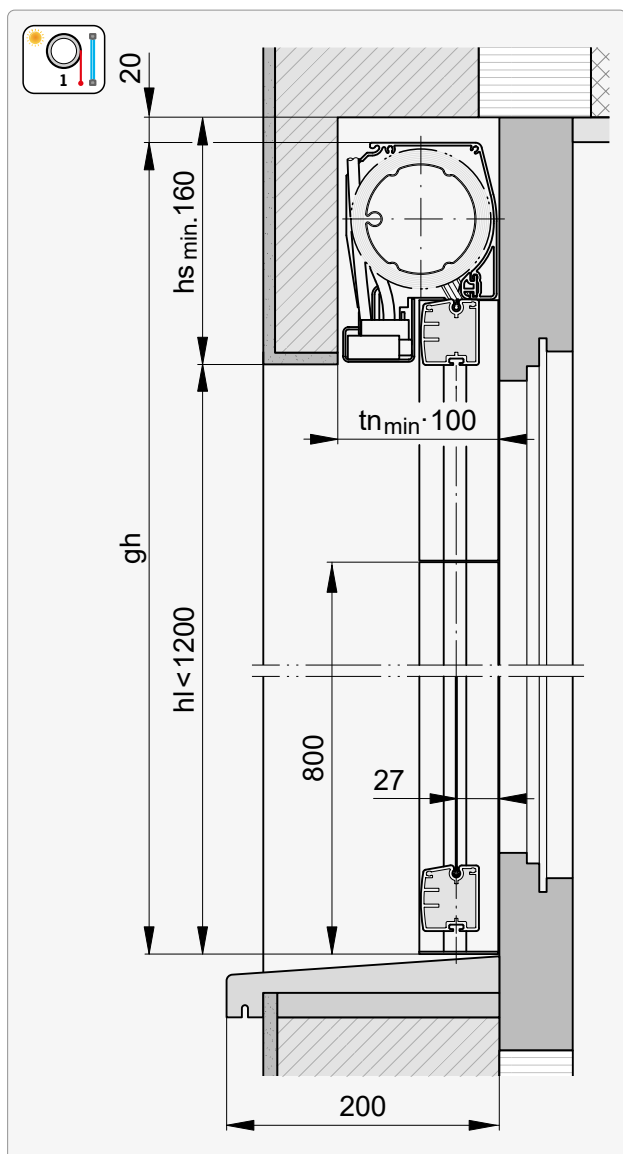
Horizontal section: Solozip® II Intro 130



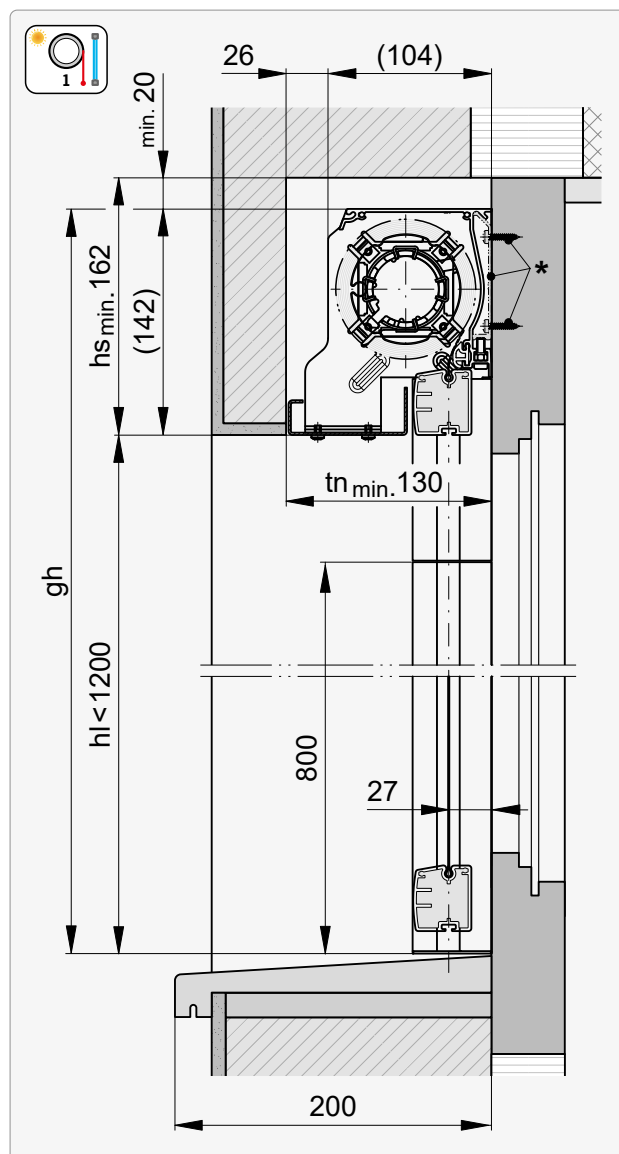
Built-in system with two-part guide rails

Vertical section: Solozip® II Intro 95

CS



Vertical section: Solozip® II Intro 100



* an additional holder is required when $bk > 3500$

Overview

Solozip® II	Type of guide rail	hl < 1200
Intro 95	CS	●
Intro 100	CS	○
Intro 130	–	–

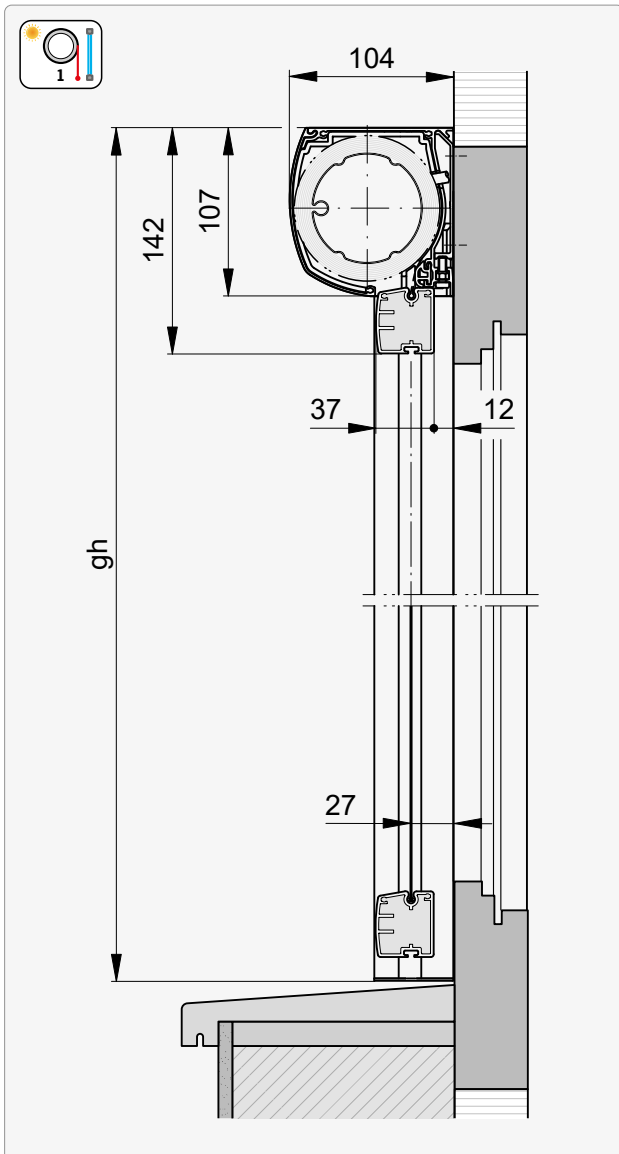
● required

○ optional

Installation system with box

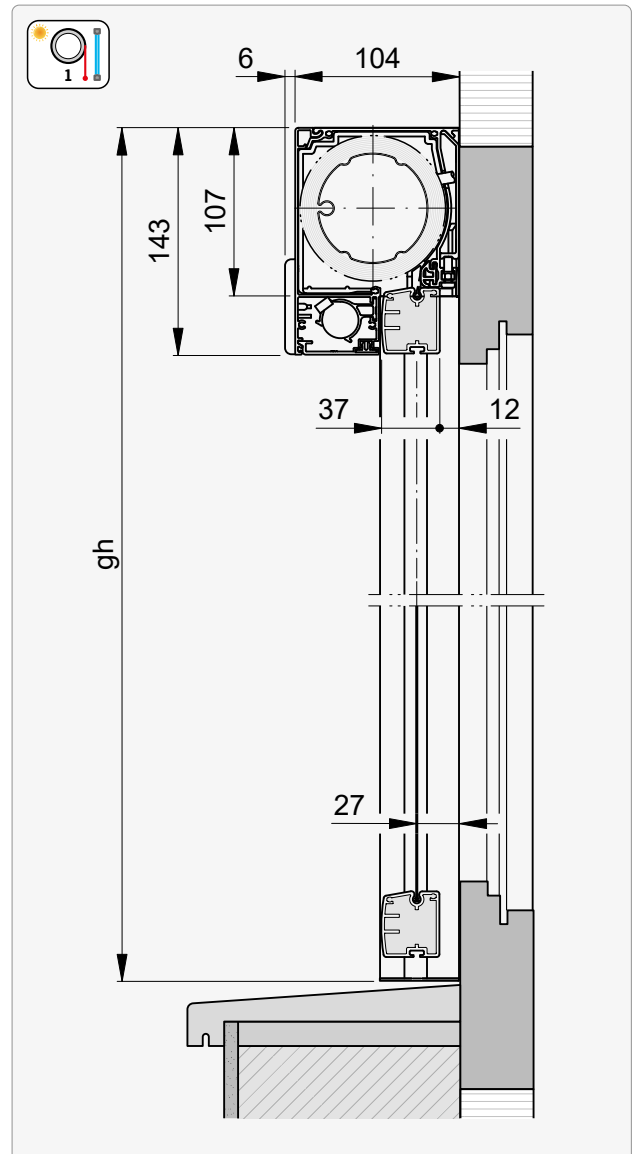
Vertical section: Solozip® II Box 100

CS



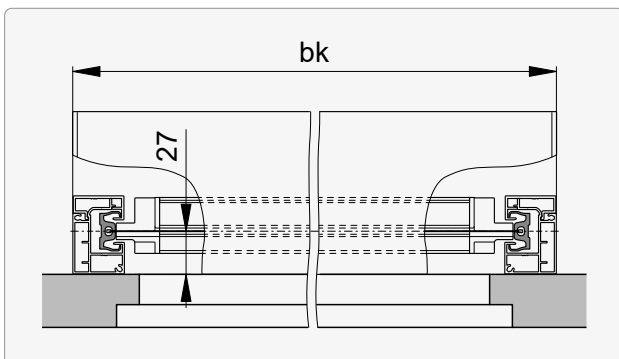
Vertical section: Solozip® II Box 100 Solar

CS

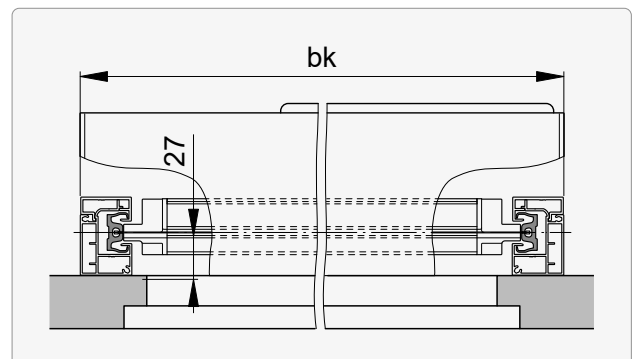


Solozip® II Box 100 Design

Horizontal section: Solozip® II Box 100



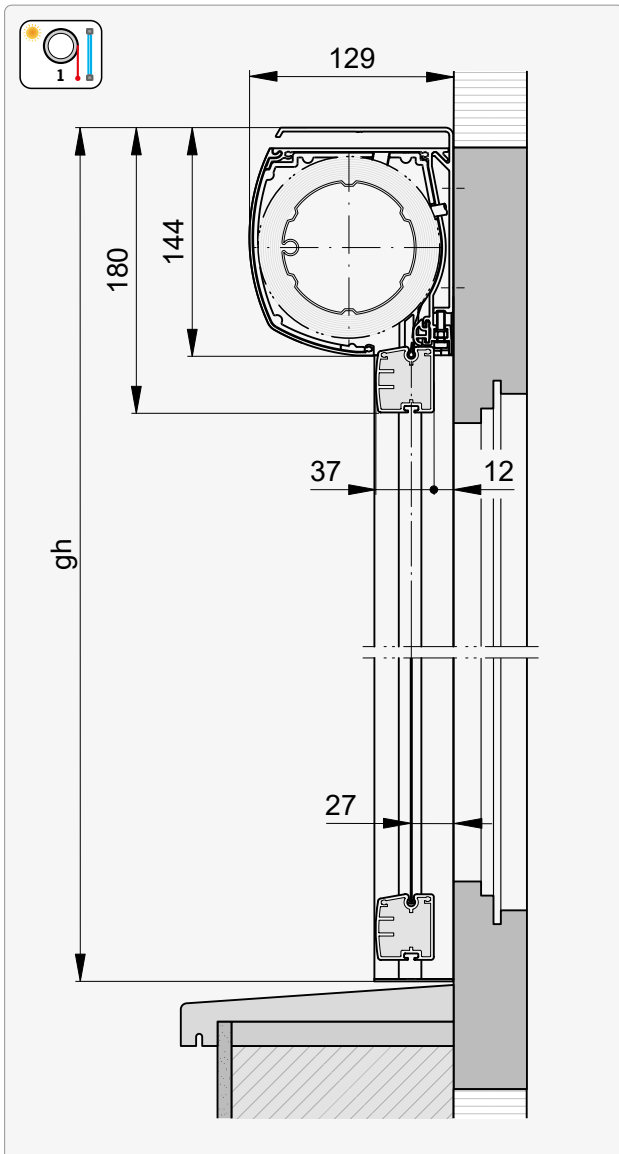
Horizontal section: Solozip® II Box 100 Solar



►► Installation system with box

Vertical section: Solozip® II Box 130

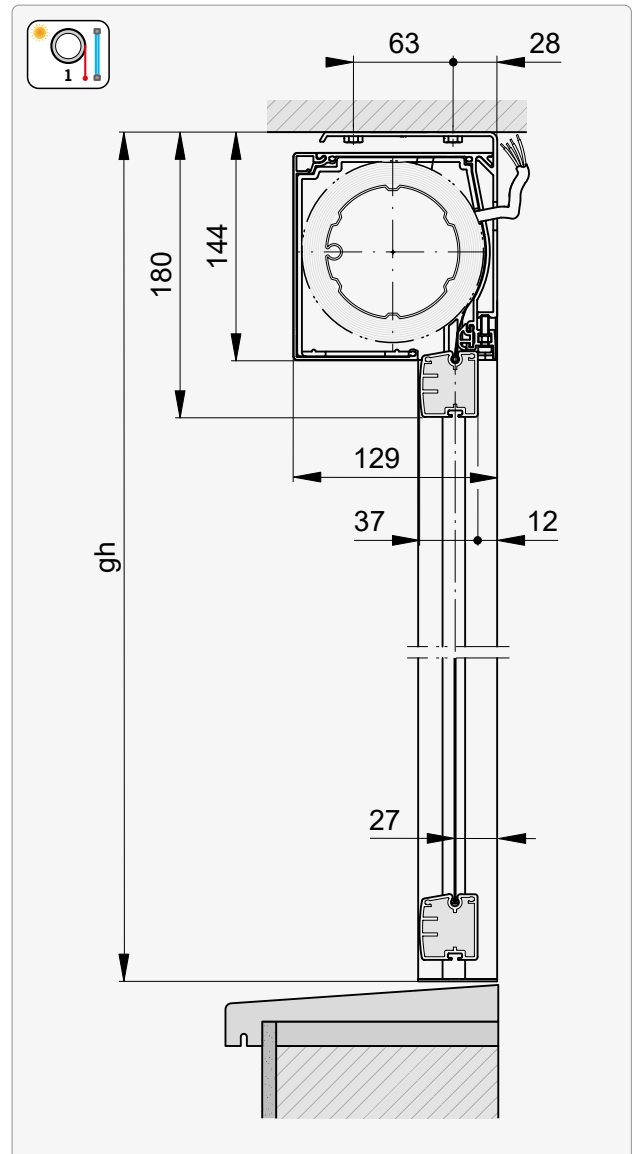
CS



Solozip® II Box 130 Design

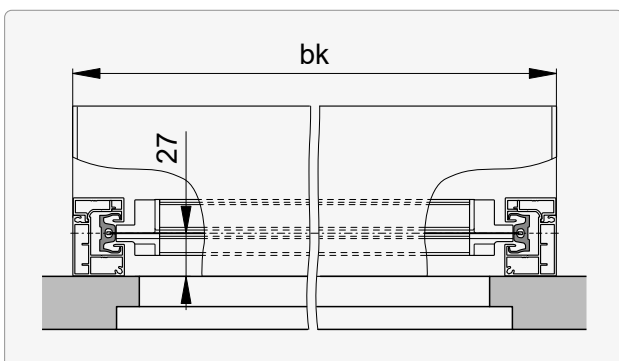
Vertical section: Solozip® II Box 130

CS

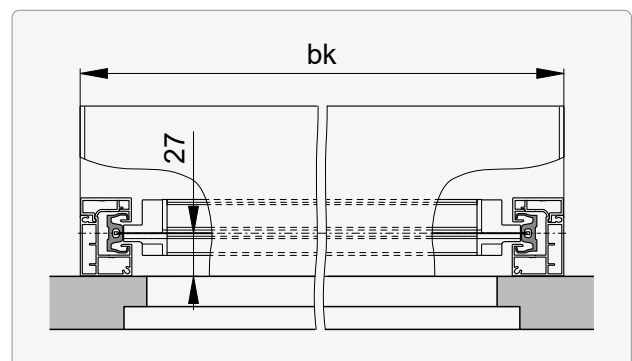


Ceiling installation

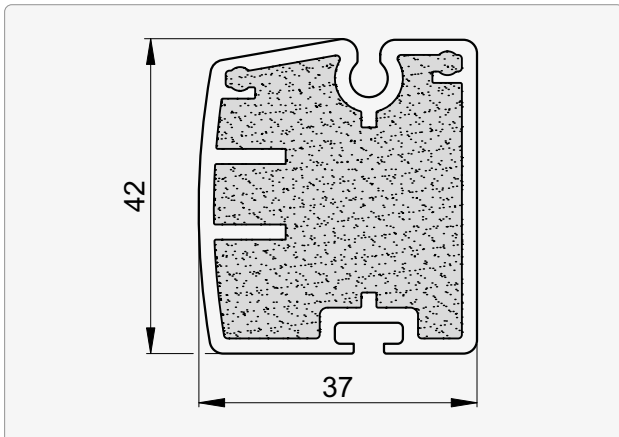
Horizontal section: Solozip® II Box 130



Horizontal section: Solozip® II Box 130

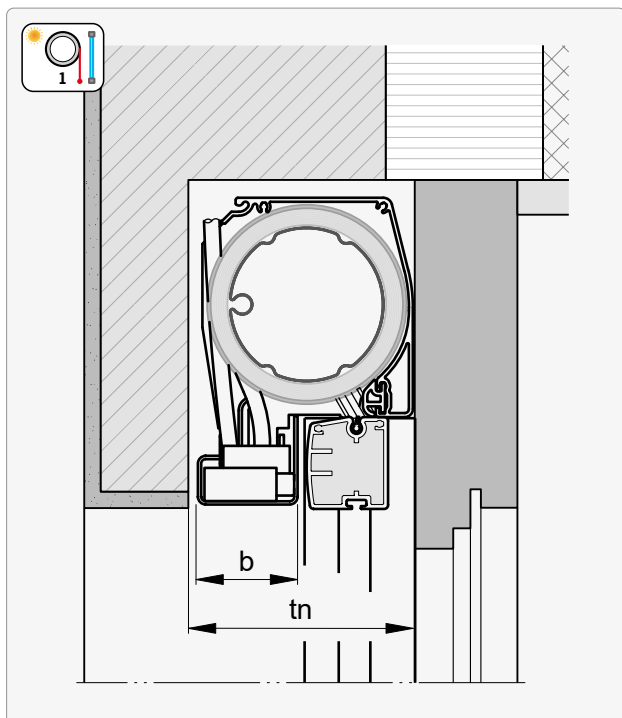


Bottom rail

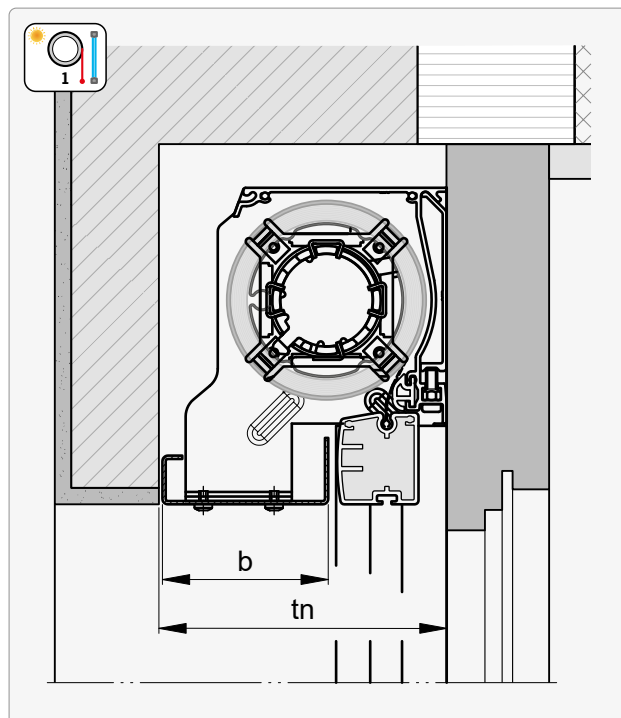


Soffit covers

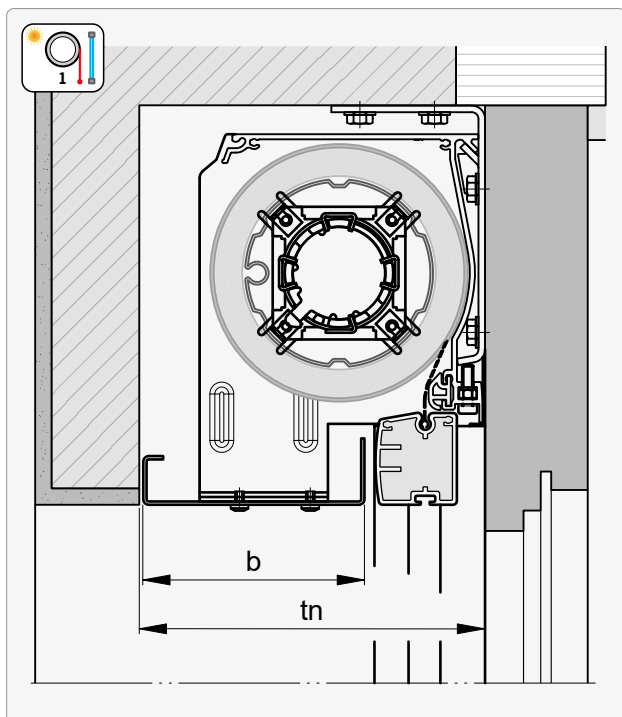
Solozip® II Intro 95



Solozip® II Intro 100



Solozip® II Intro 130



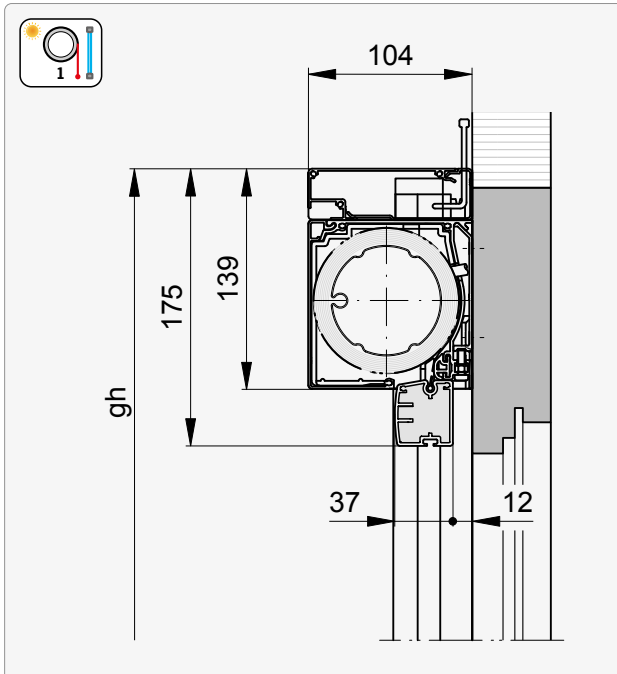
Solozip® II	Soffit cover (b)	for headers (tn)
Intro 95	45	100
	55	110
	65	120
Intro 100	75	130
	85	140
	95	150
Intro 130	100	155
	110	165
	120	175

Width (bk)	Number of parts soffit cover
≤ 3500	1
> 3500	2

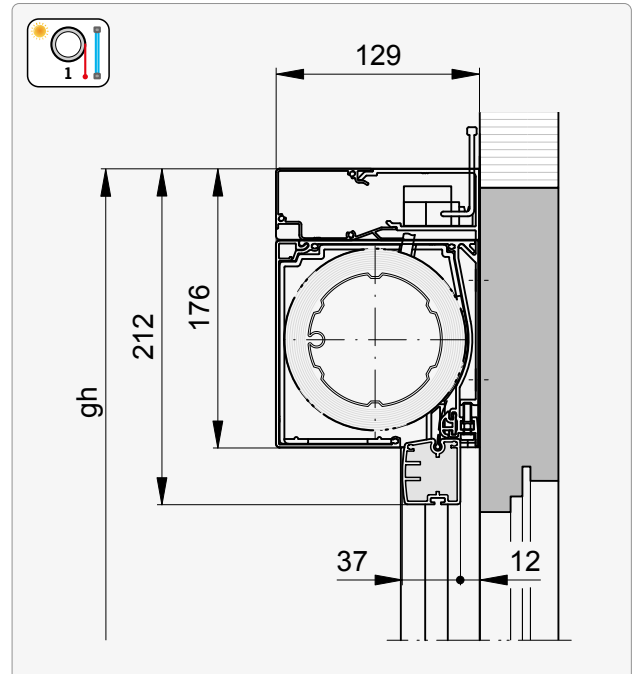
Profile Hirschmann

Box square

Solozip® II Box 100

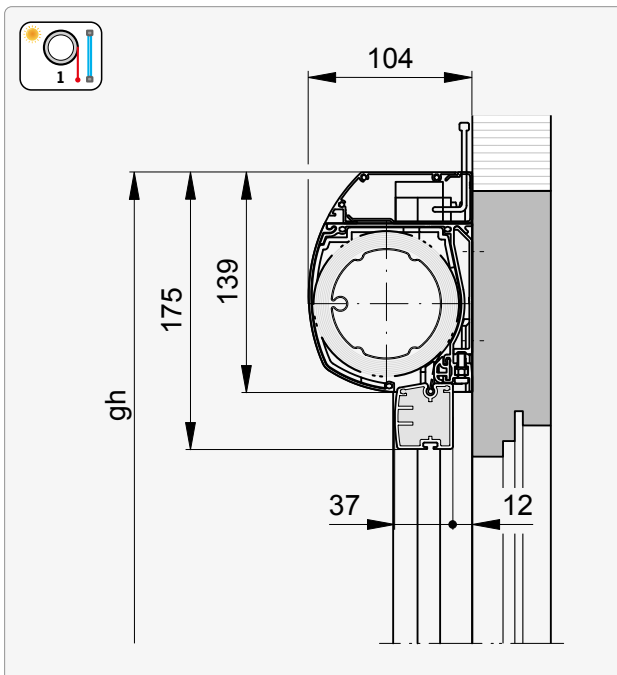


Solozip® II Box 130

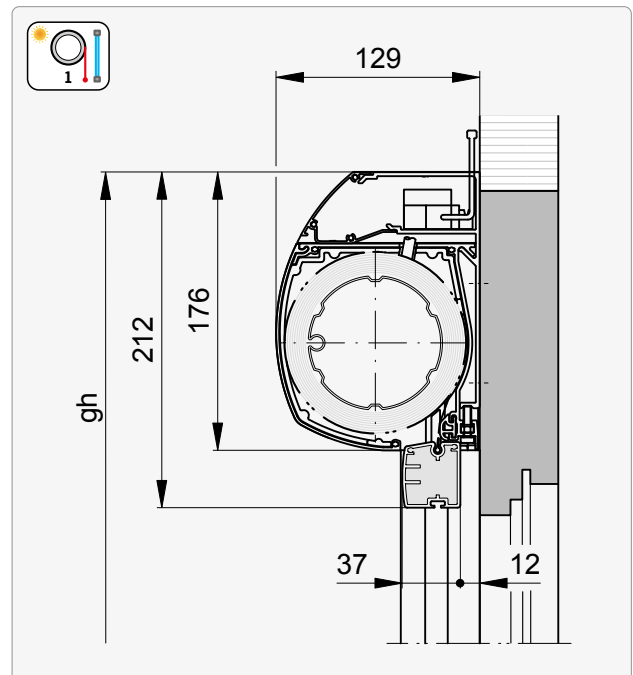


Box Design

Solozip® II Box 100



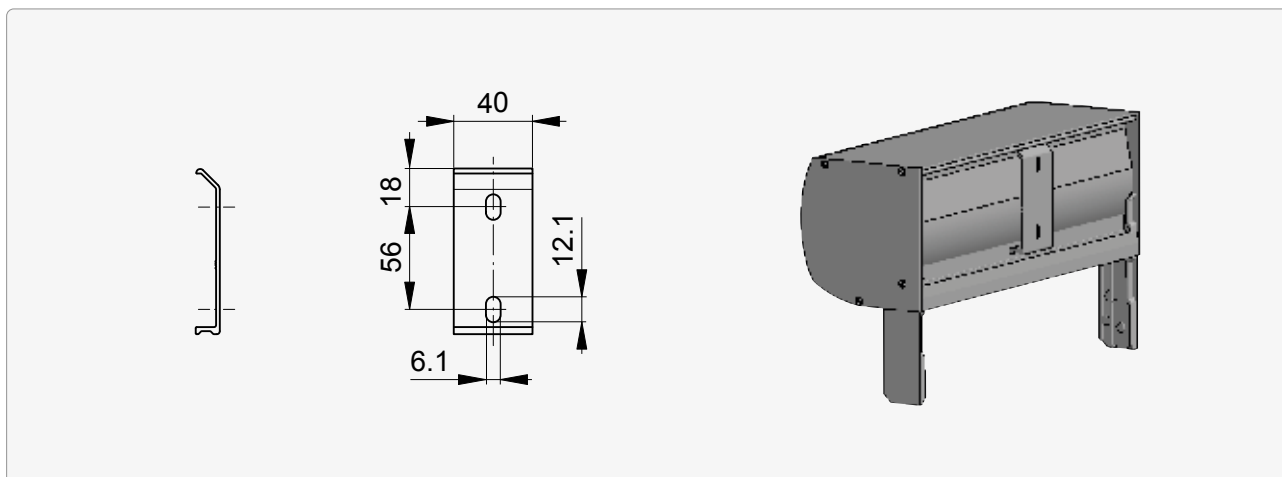
Solozip® II Box 130



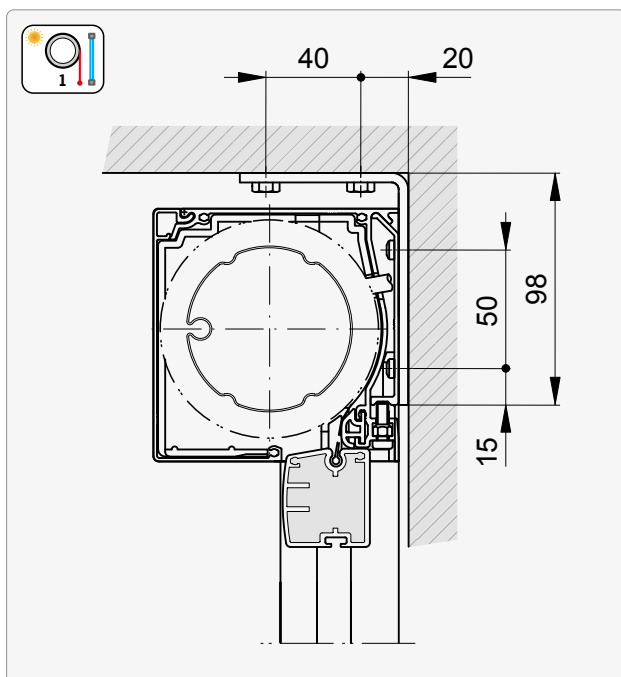
Housing fastening

Solozip® II Intro 100 | Solozip® II Box 100

i The box 100 is mounted on the self-supporting guides.
An **additional holder** is required if **bk > 3500**.



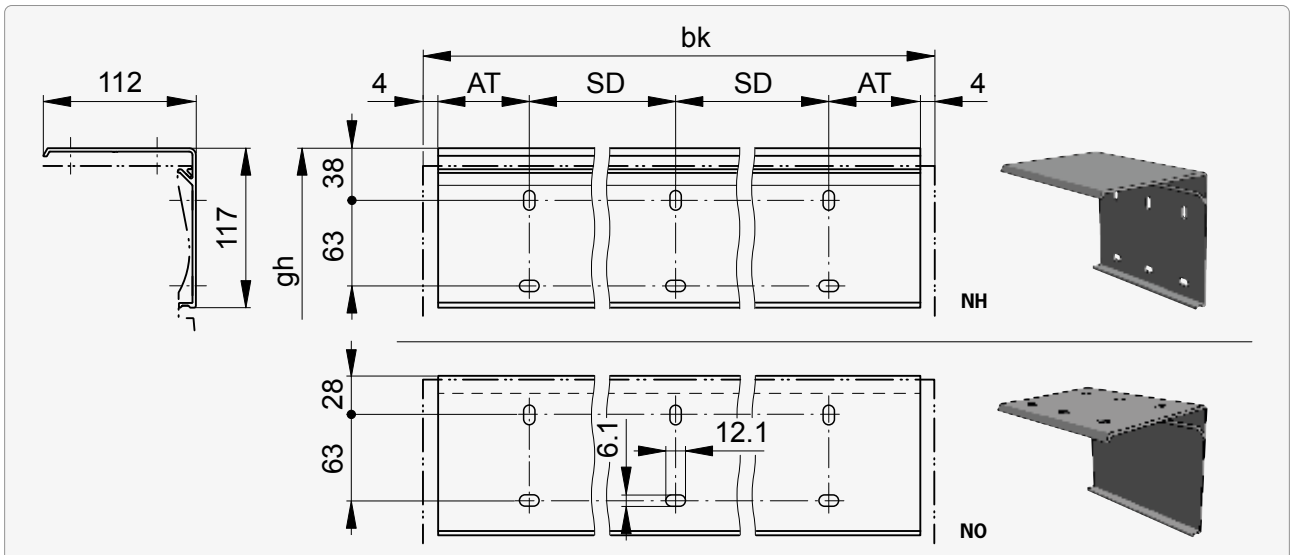
Detail



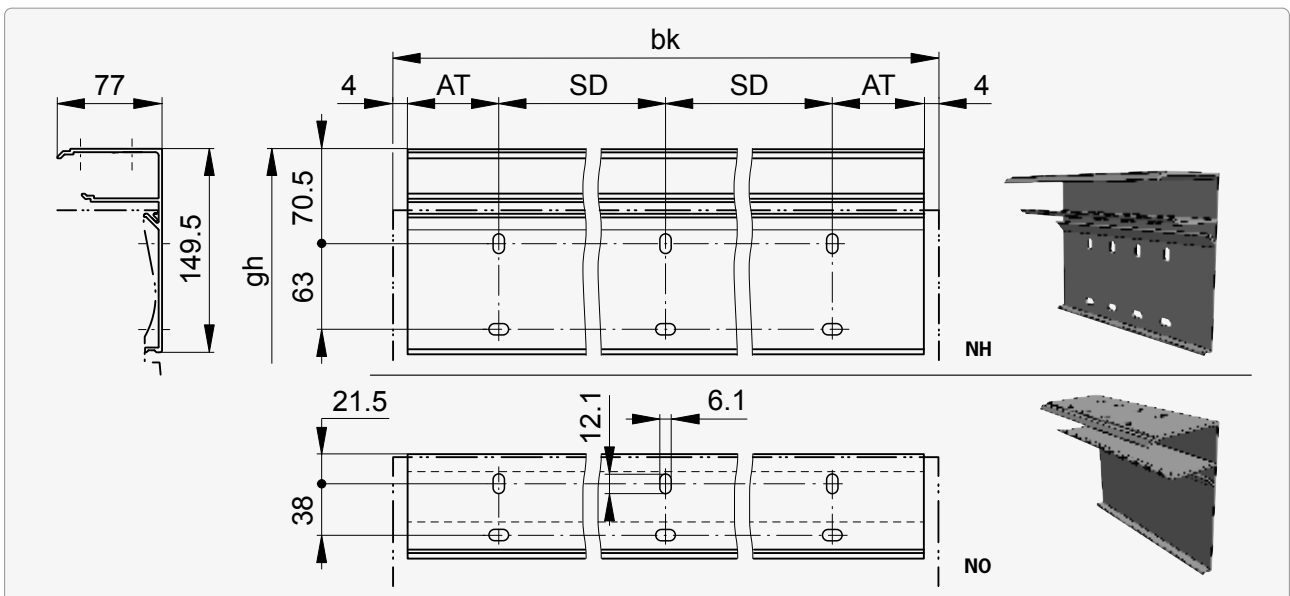
►► **Housing fastening**

Solozip® II Box 130

without Hirschmann profile



with Hirschmann profile



bk	SD [Number]	AT
≤2000	1	
2001... 4000	2	50
4001... 6000	3	

AT Beginning distance

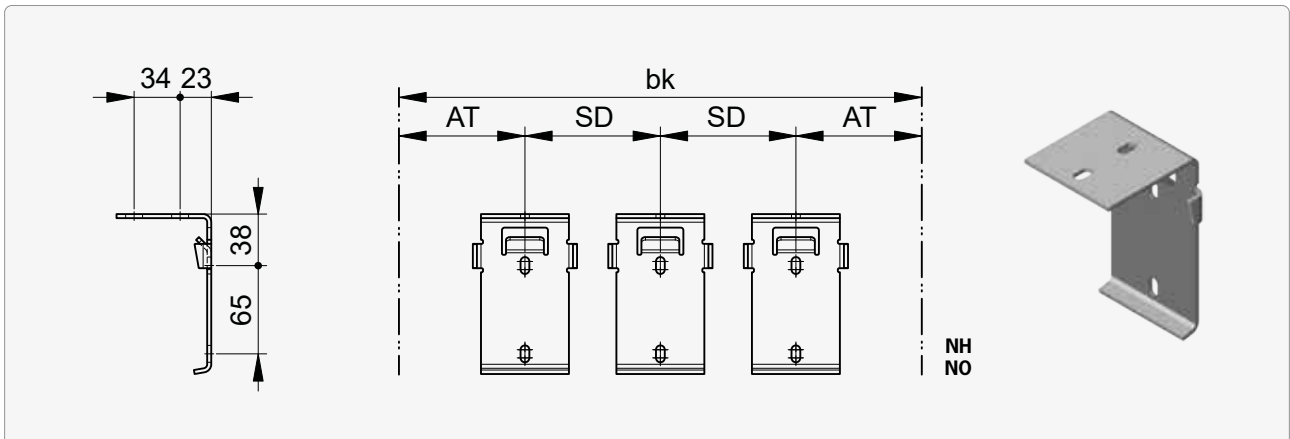
SD Slot spacing

►► **Housing fastening**

Solozip® II Intro 130

Standard guide rail

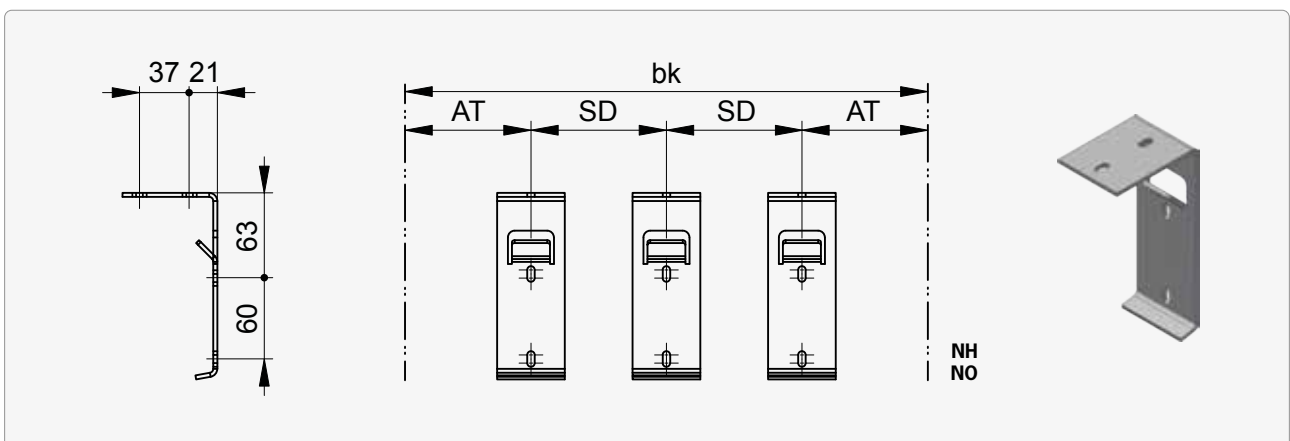
CS



bk	SD [Number]	Support [Number]	AT
≤ 2000	1	2	
2001... 4000	2	3	85
4001... 6000	3	4	

Recessed guide rail

CE



bk	SD [Number]	Support [Number]	AT
≤ 2000	1	2	
2001... 4000	2	3	93
4001... 6000	3	4	

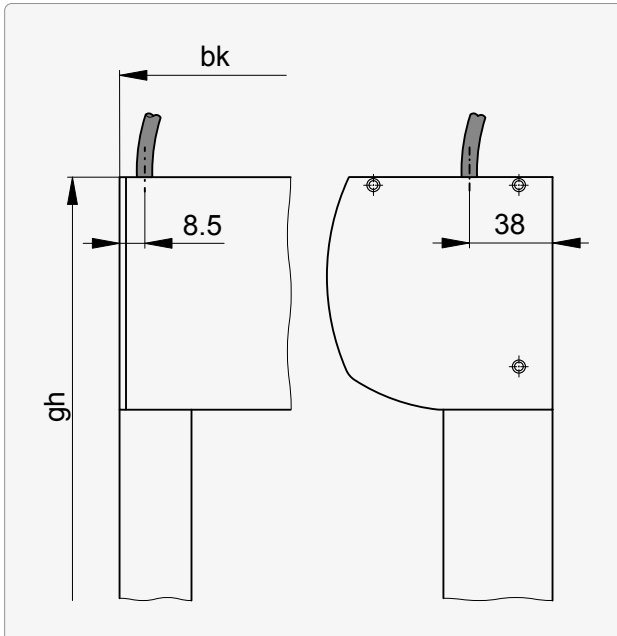
AT Beginning distance

SD Slot spacing

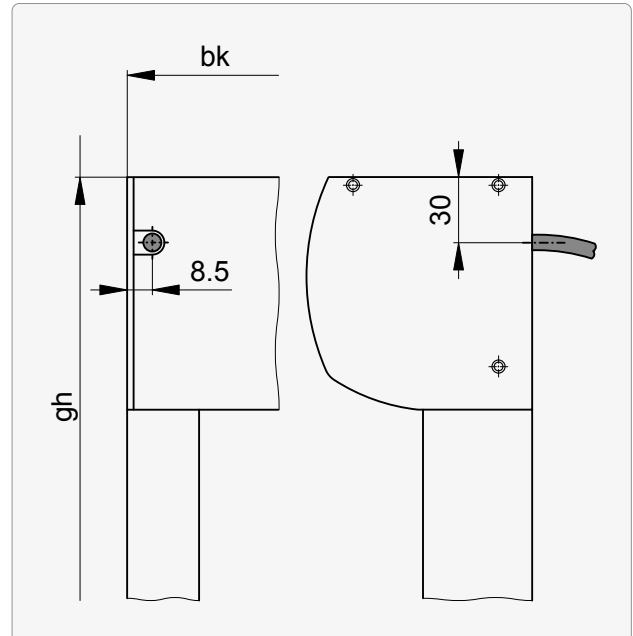
Motor cable outlet

Solozip® II Box 100

Type 1

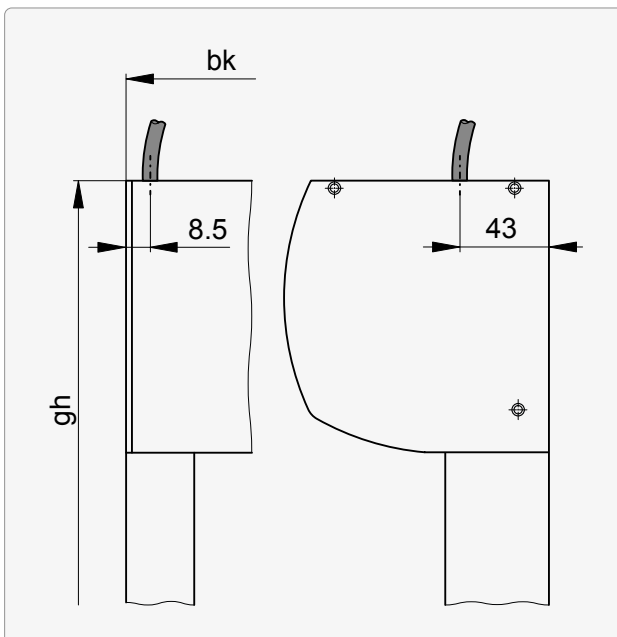


Type 2

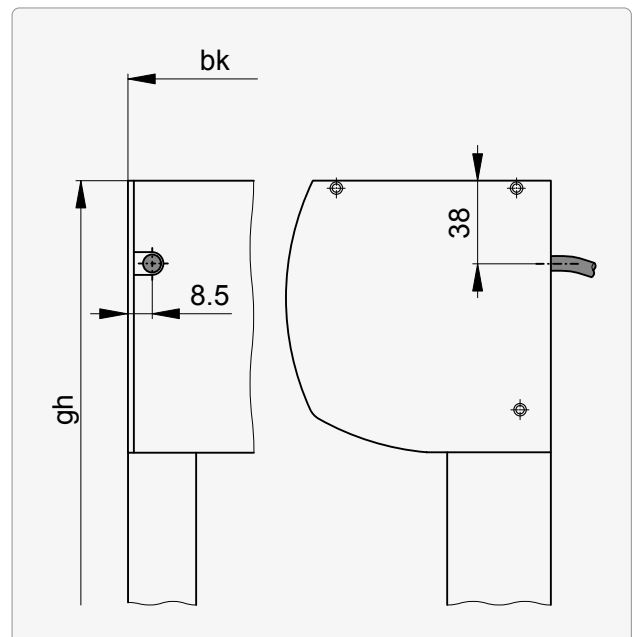


Solozip® II Box 130

Type 1



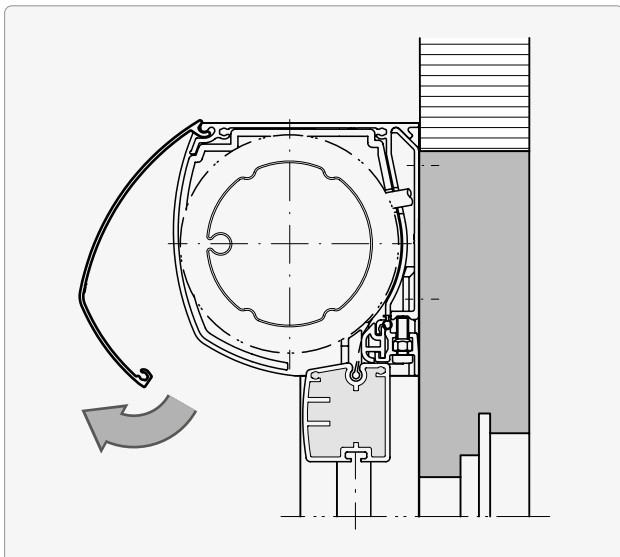
Type 2



i If the box is **fitted as built-in system**, the cable outlet is only possible **in upper direction (type 1)**.
 With the **option Hirschmann profile**, the hole for the cable outlet is **drilled on site**.

Front cover of the box

With the versions Solozip® II Box 100 and Solozip® II Box 130 the front cover of the box can be opened to allow adjustments of the motor limit switches on-site.



i **Through-holes in the box sheet metal** allow adjustments to the limit switches without having to remove the soffit cover.

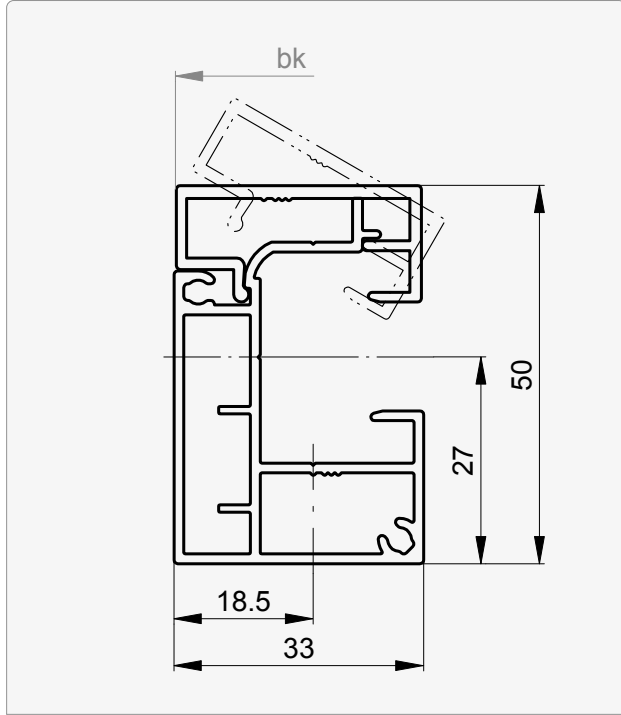
The limit switches are preset at the factory.

Guide rails

i Guide with retaining strip for clipping during installation.

Standard guide rail

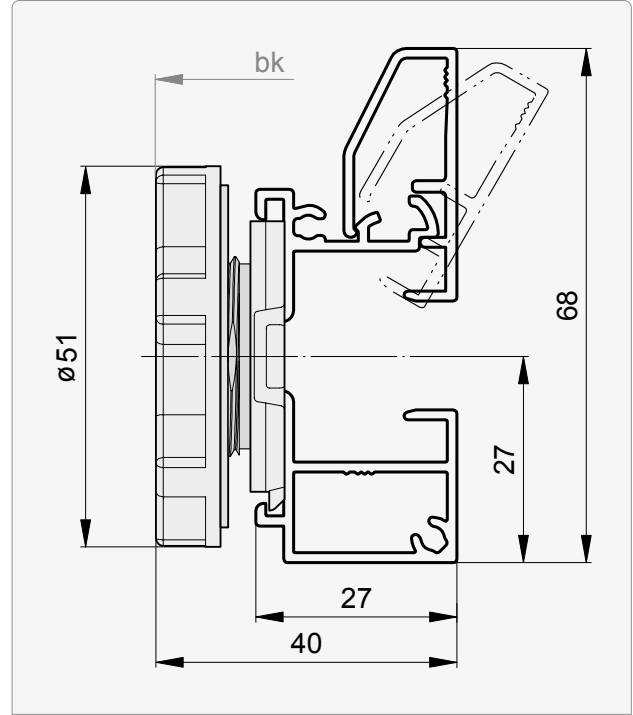
CS



Intro 95	Intro 100	Intro 130	Box 100	Box 130
●	●	●	●	●

Recessed guide rail

CE



Intro 95	Intro 100	Intro 130	Box 100	Box 130
-	●	●	-	-

i Parallel alignment of the guide rails: $bk \pm 2 \text{ mm}$

i Parallel alignment of the guide rails: $bk \pm 3 \text{ mm}$

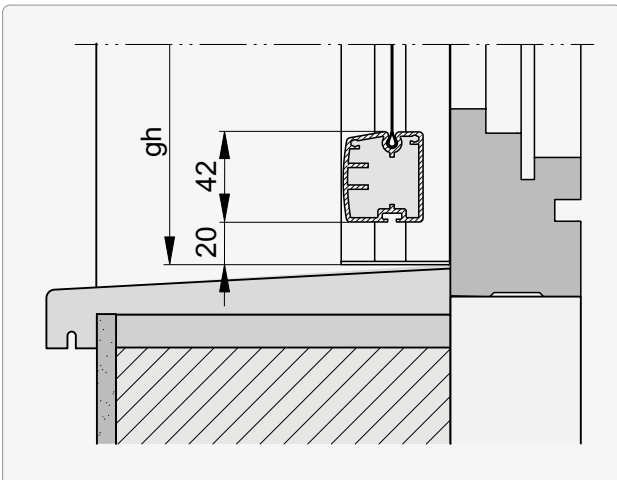
i Use a spirit level to plumb tubes and guide rails!

➔ Fastening points.....	40
➔ Guide extension and facet	39

➔ Guide rail fastenings.....	34
➔ Integrated guides.....	33

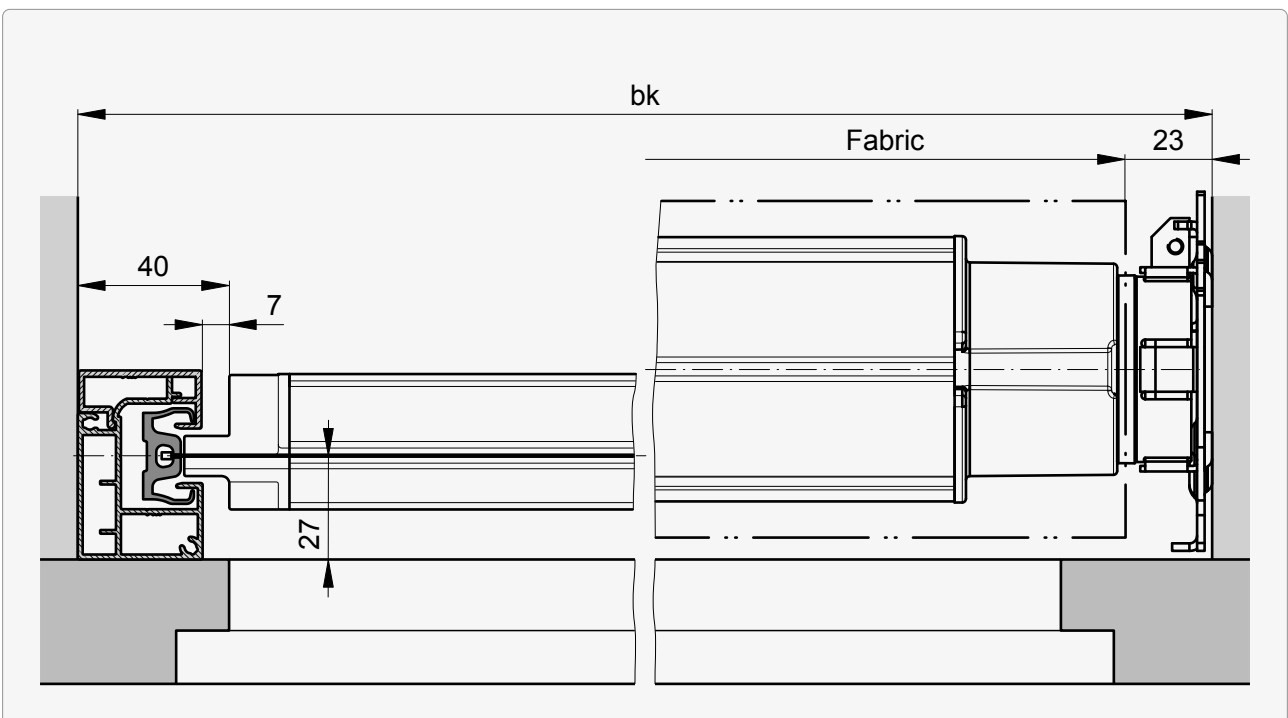
Sections | Details

Vertical section: Detail for bottom



Horizontal section: Solozip® II Intro 95

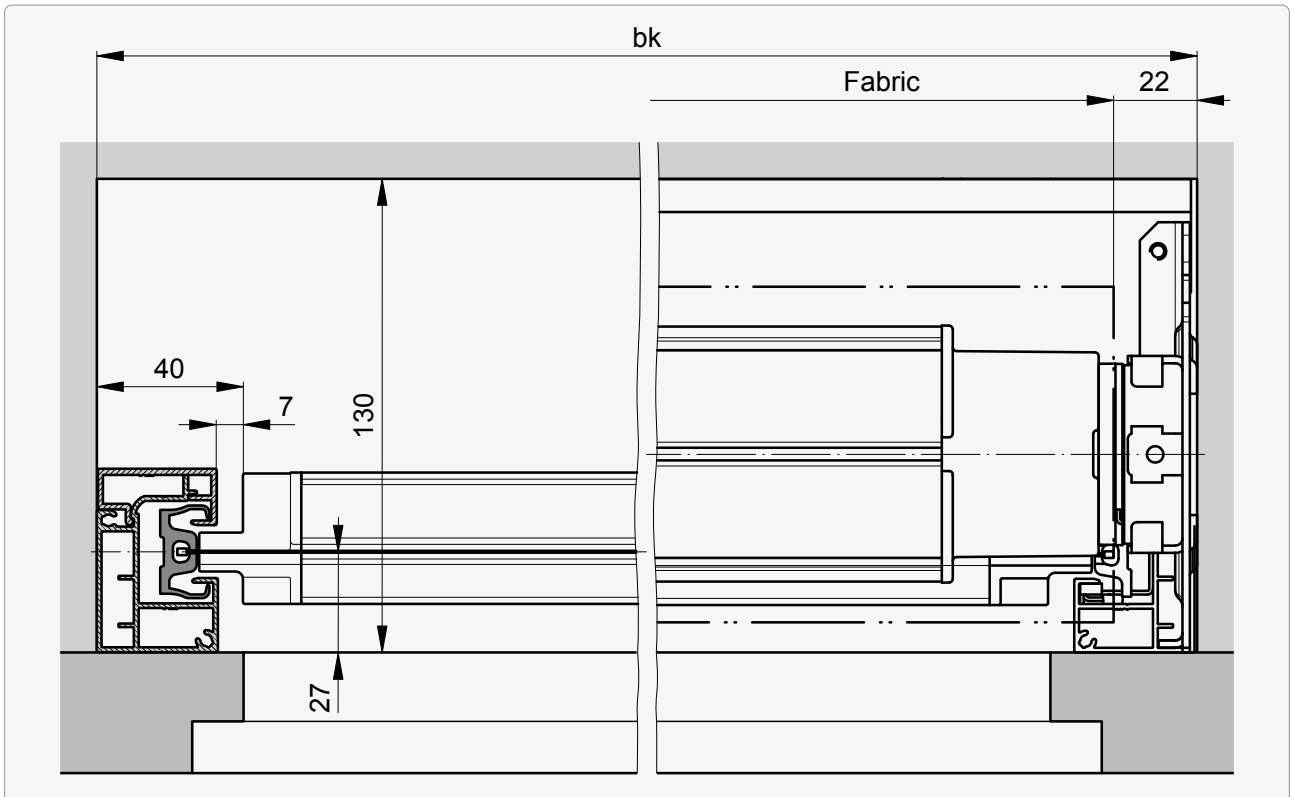
CS



►► Sections | Details

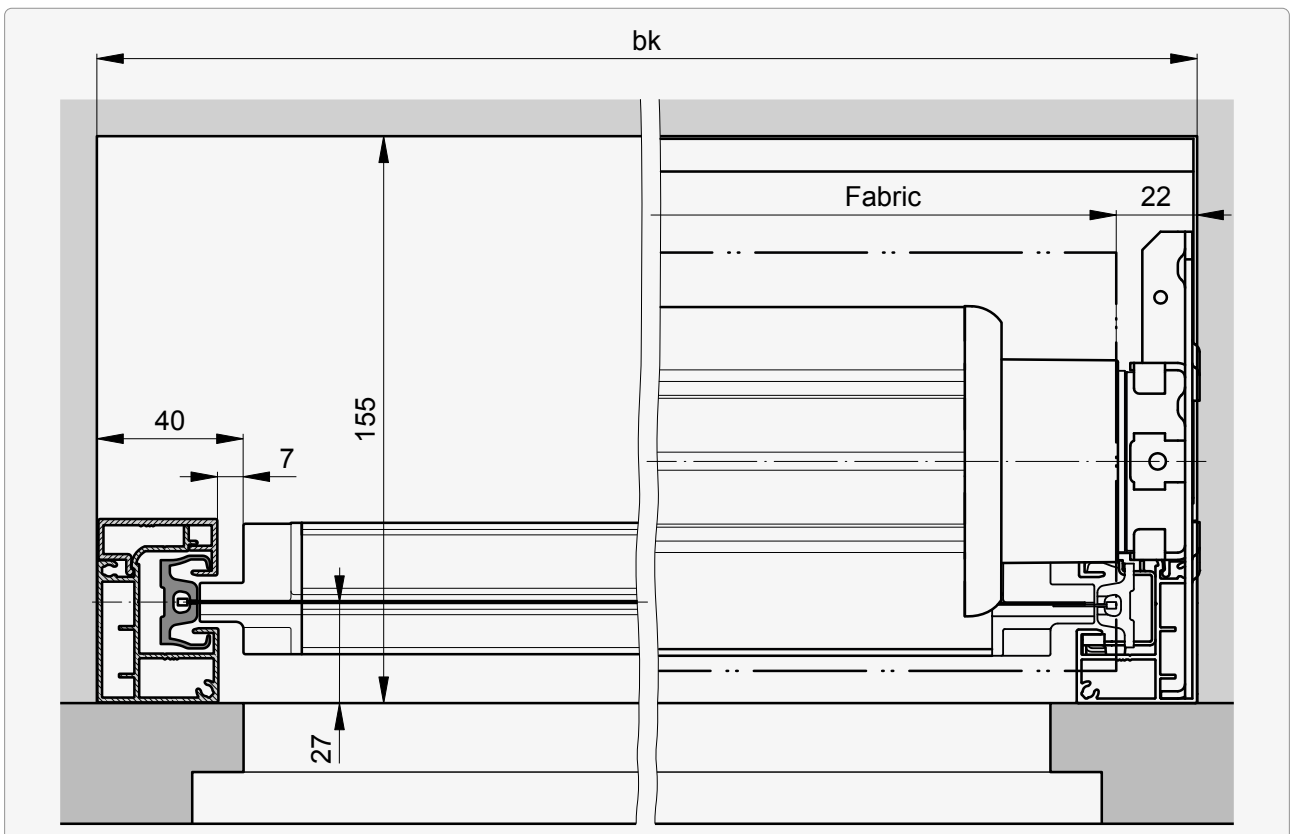
Horizontal section: Solozip® II Intro 100

CS



Horizontal section: Solozip® II Intro 130

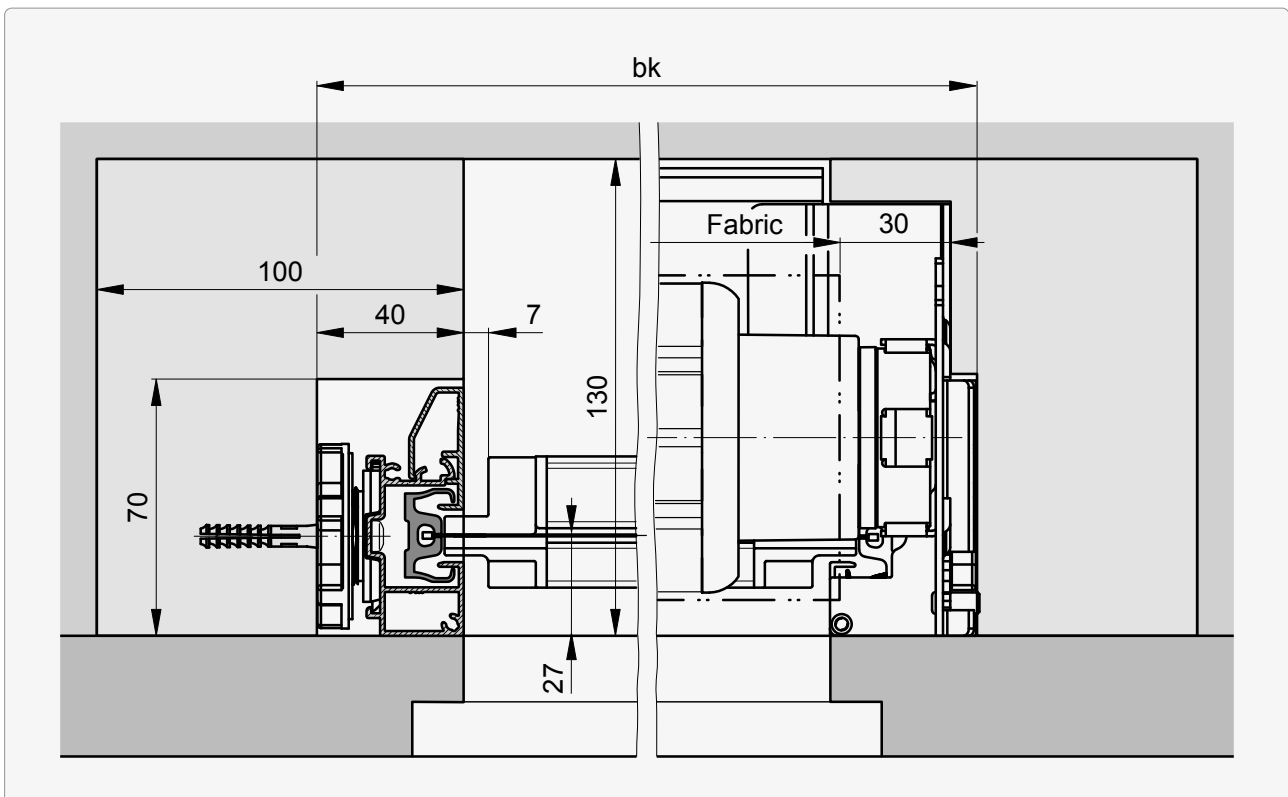
CS



►► Sections | Details

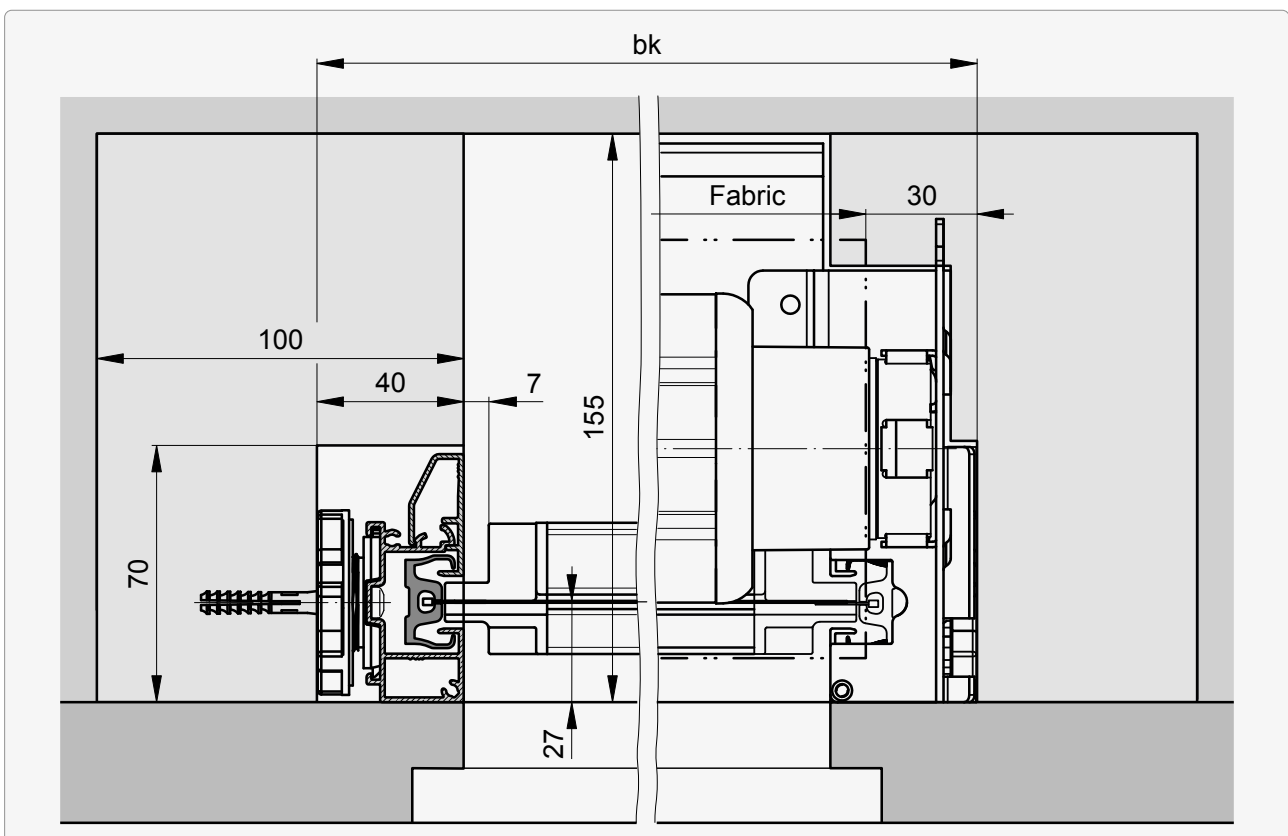
Horizontal section: Solozip® II Intro 100 with recessed guide rails

CE



Horizontal section: Solozip® II Intro 130 with recessed guide rails

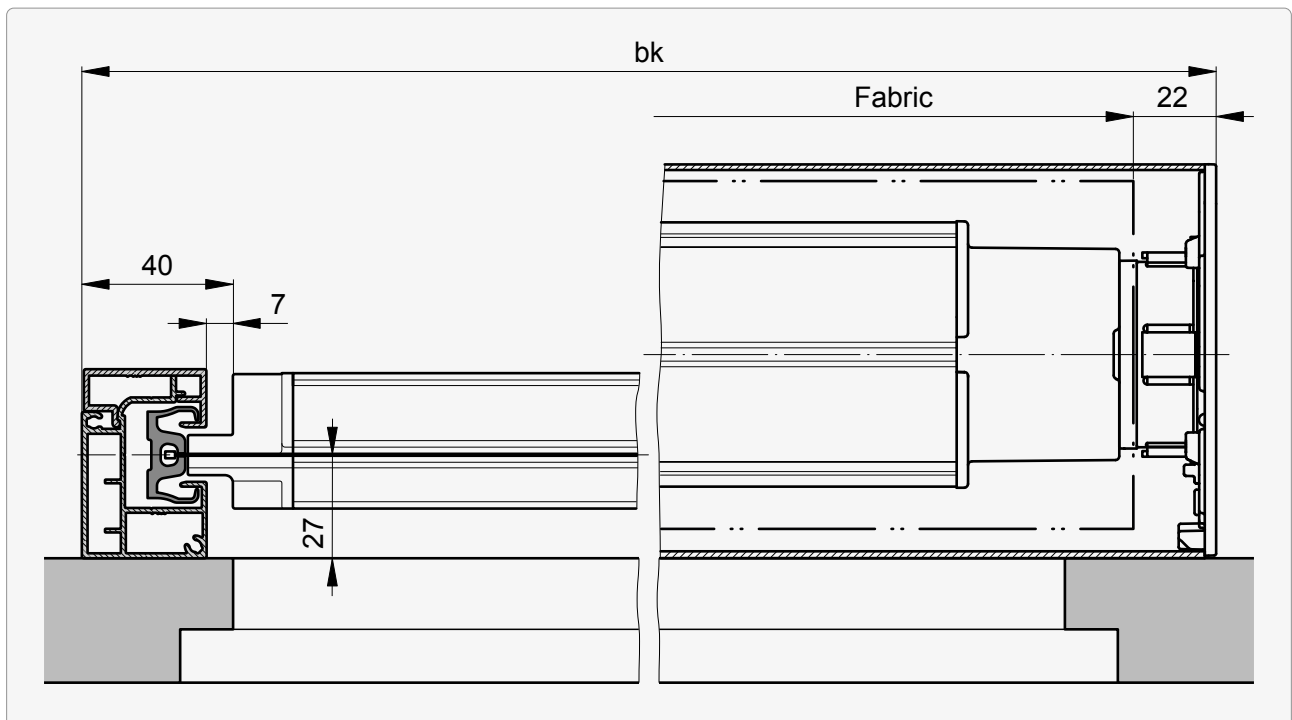
CE



►► Sections | Details

Horizontal section: Solozip® II Box 100

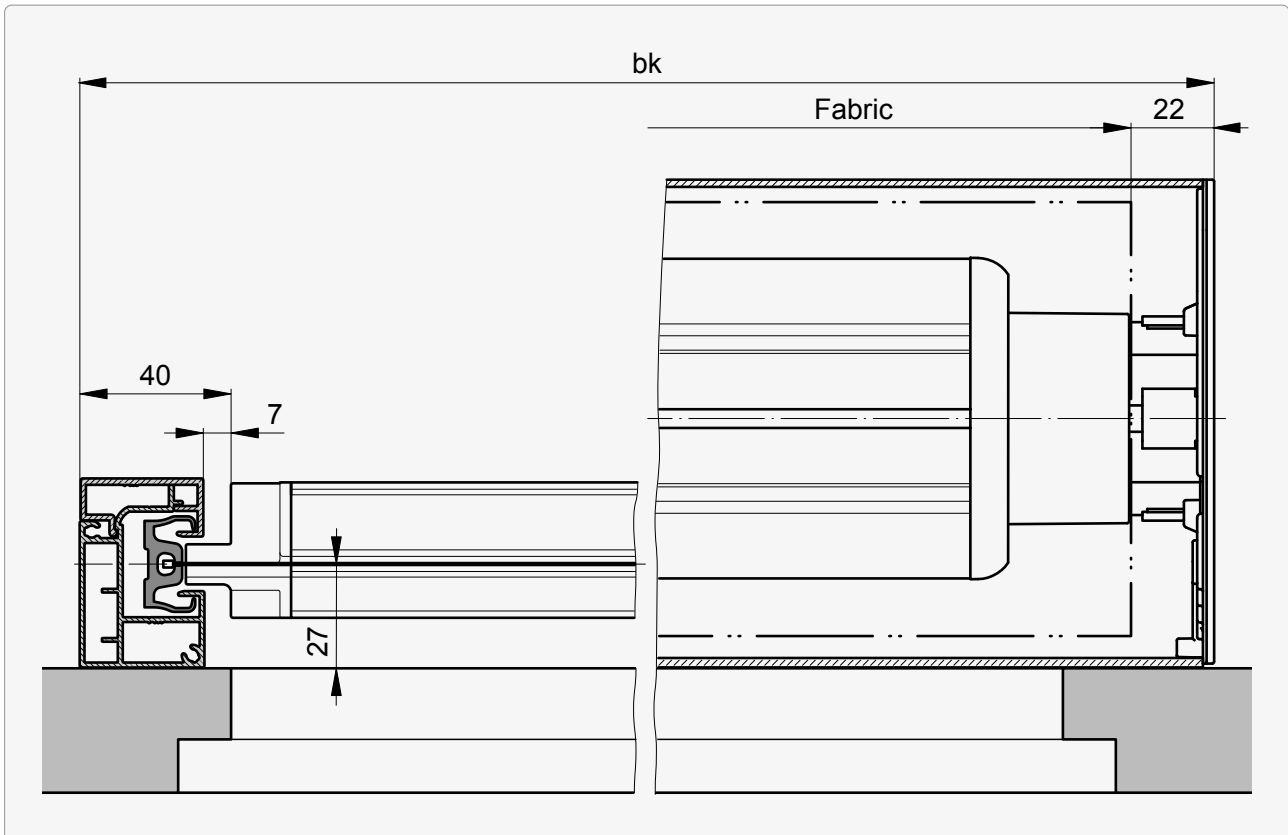
CS



►► Sections | Details

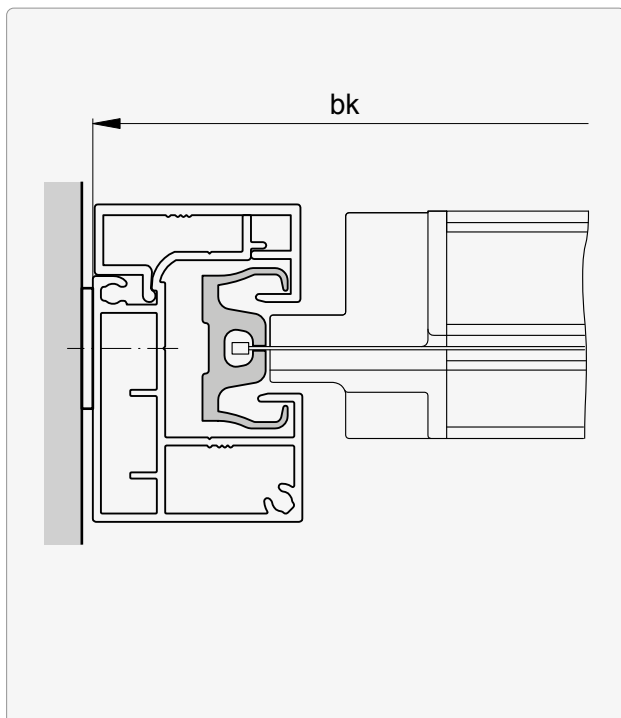
Horizontal section: Solozip® II Box 130

CS

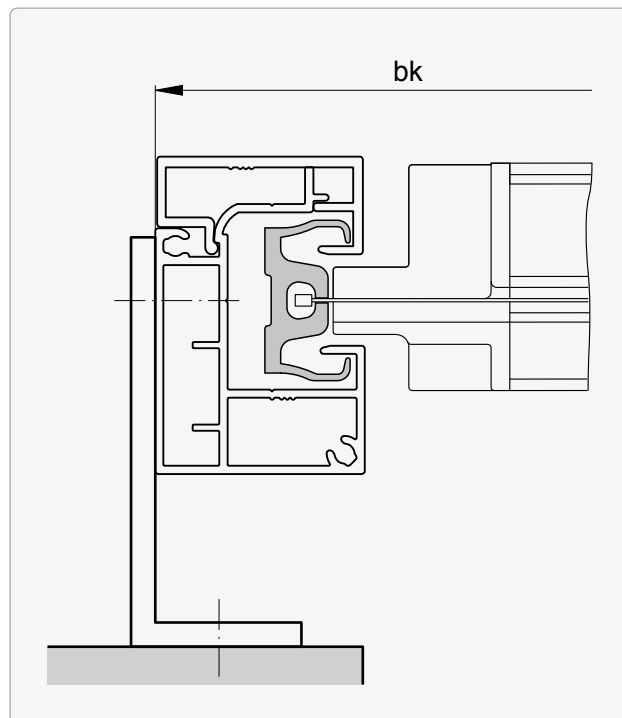


Guide rail installation (principle)

Guides attached (to soffit) | Type A



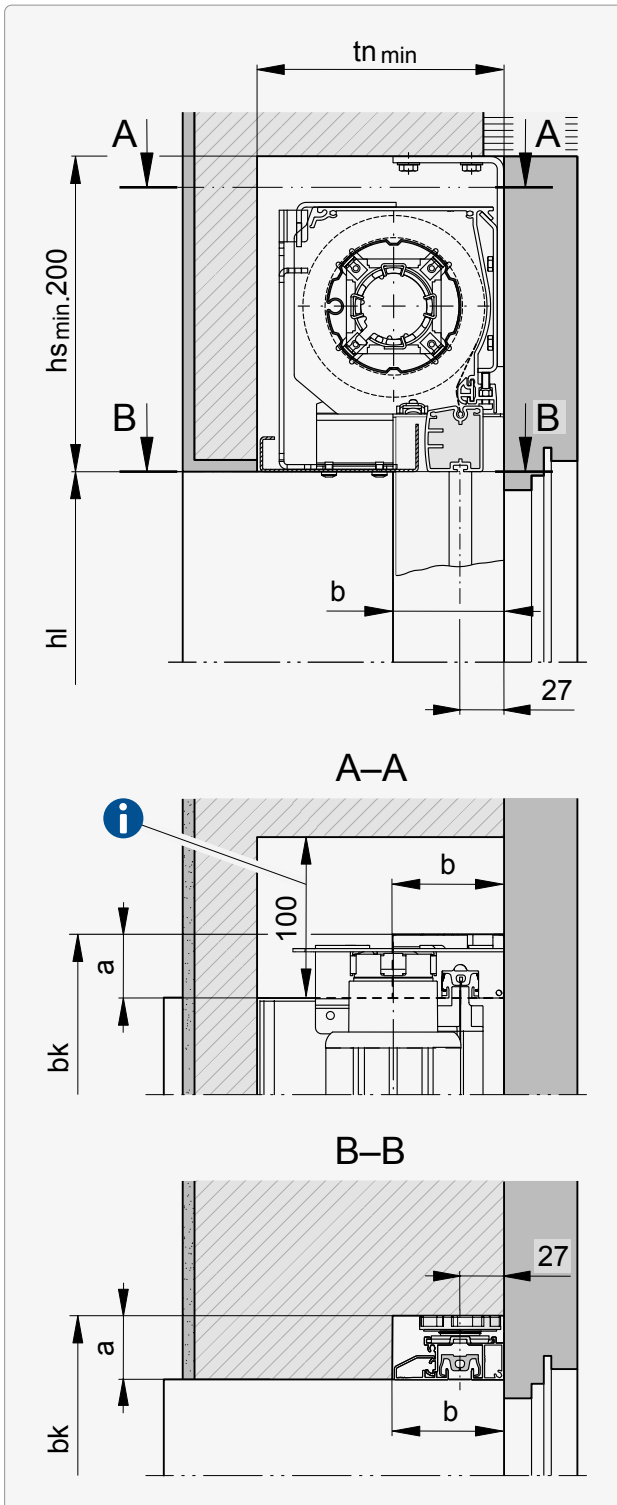
Guides suspended



i Observe possible guide rail spacer for **bk**.
Min. 6 mm

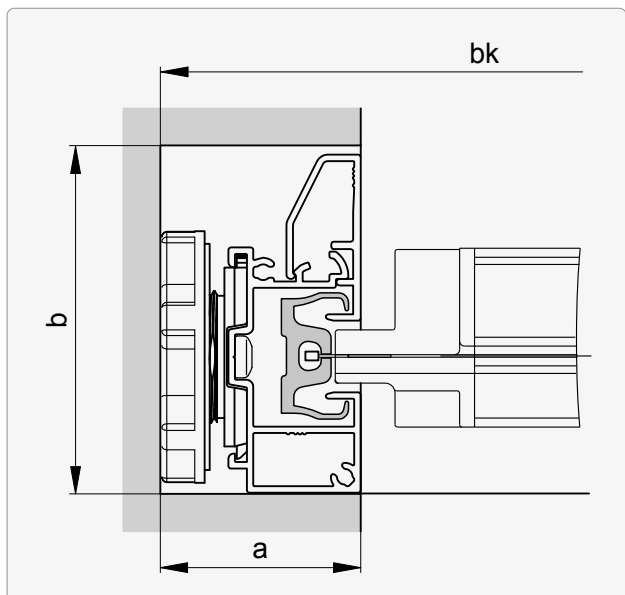
►► Guide rail installation (principle)

Guides recessed



! The recess of the niche must be made on both sides of the window frame!

i Height recess = $hs\ min.$



Represented version: Solozip® II Intro 130

Version	$tn\ min.$
Solozip® II Intro 100	130
Solozip® II Intro 130	155

a	b
40	70

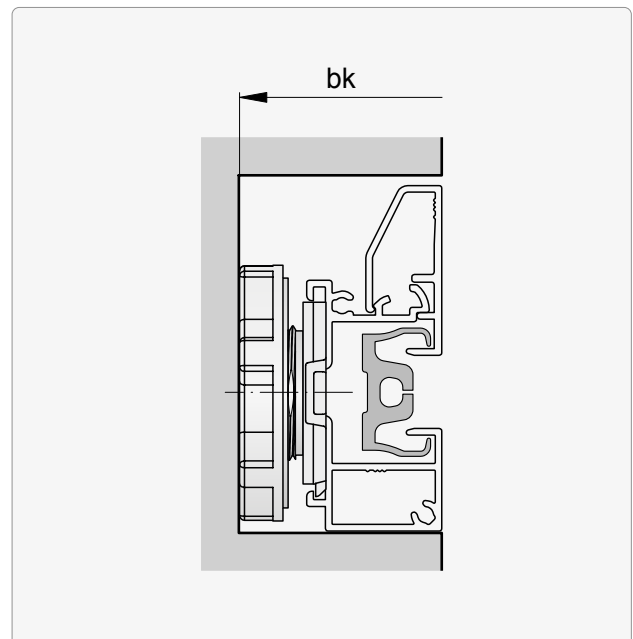
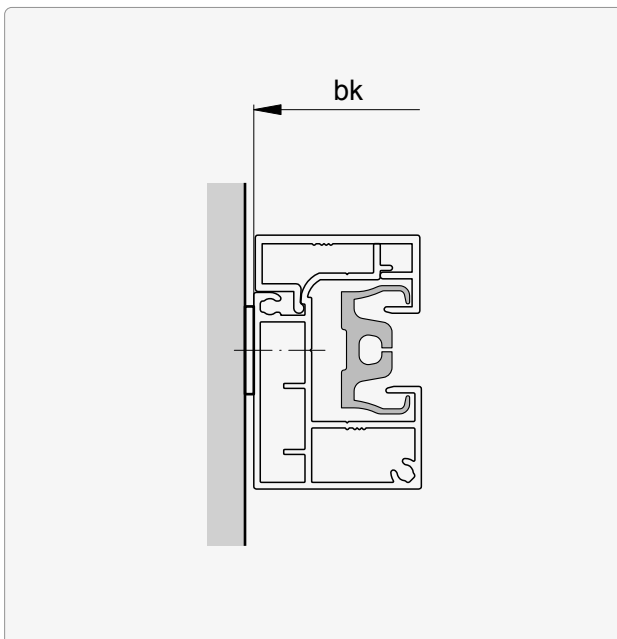
Guide rail fastenings (principle)

Overview

Type	A	B	Bd	C	Cd	E	F	G	H	I	T
Fixing on the side – for one guide	●	●	●	●	●	●	-	-	-	-	●
Fixing to the rear – for one guide	-	-	-	-	-	-	●	-	-	-	-
– for two guides	-	V	V	V	V	-	-	-	-	-	V

- applicable without restrictions

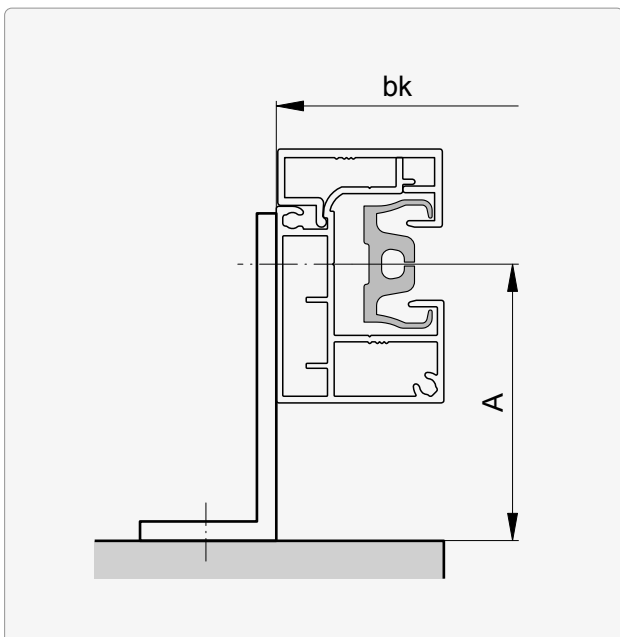
A Soffit installation



i Observe possible guide rail spacer for **bk**.
Min. 6 mm

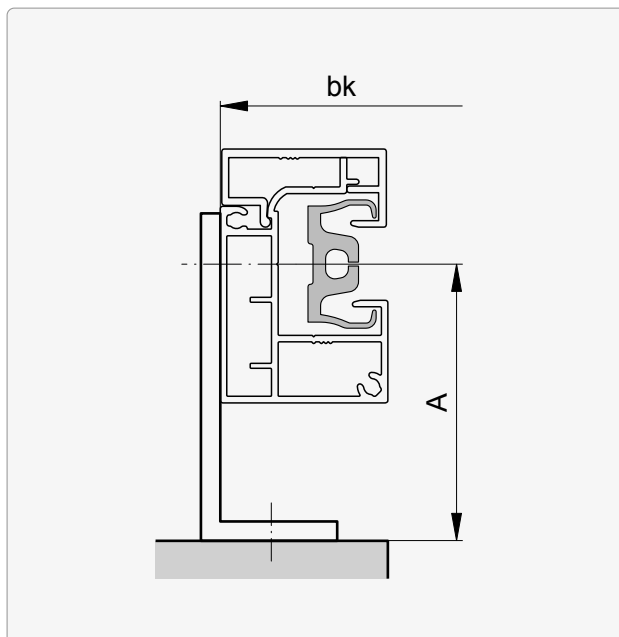
►► Guide rail fastenings (principle)

B Installation with fastening bracket



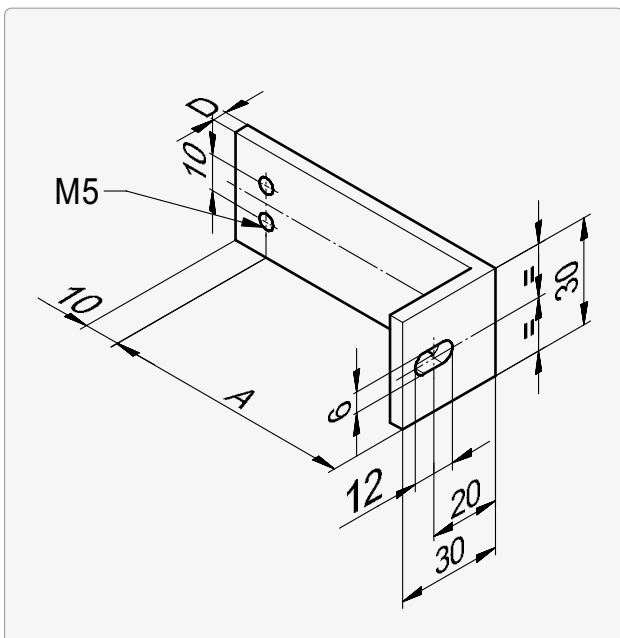
Bracket outwards

C Installation with fastening bracket



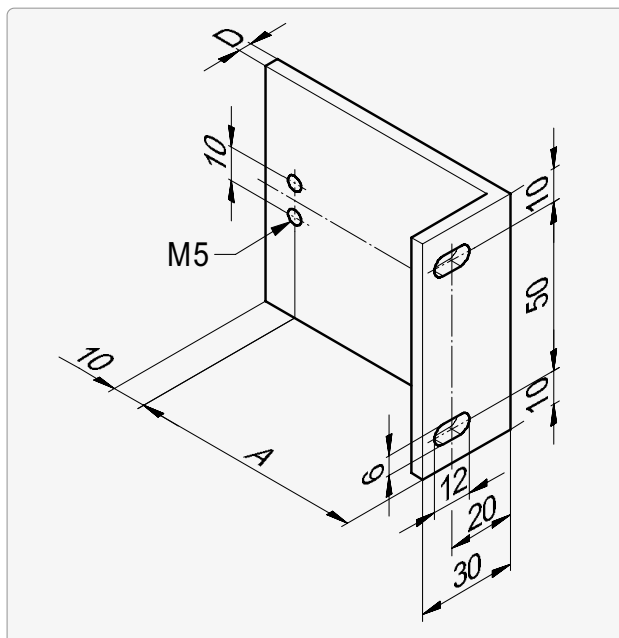
Bracket inwards

Fastening bracket for types B and C



A*	D
20... 115	4

Fastening bracket 70 mm for types B and C



A*	D
20... 115	4
120... 215	5

i For suspended guide rails always with **brackets 70 mm**.

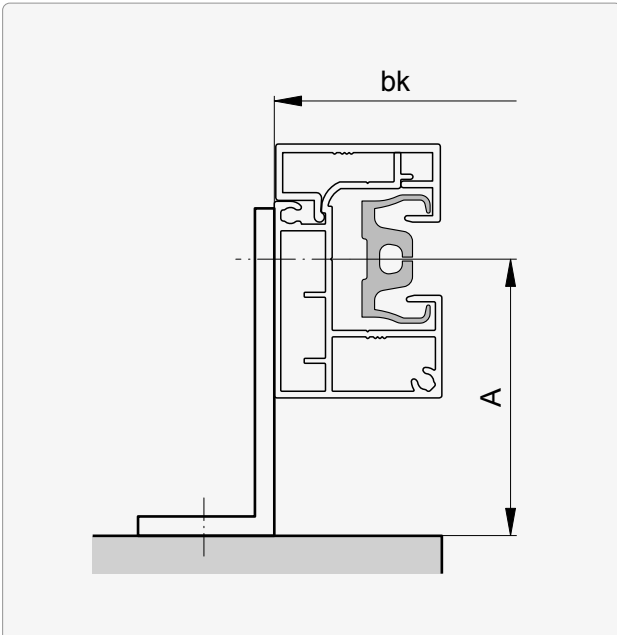
i If the **projection is ≥ 120** , all products are fastened with a **70 mm bracket**.

* in 5 mm steps

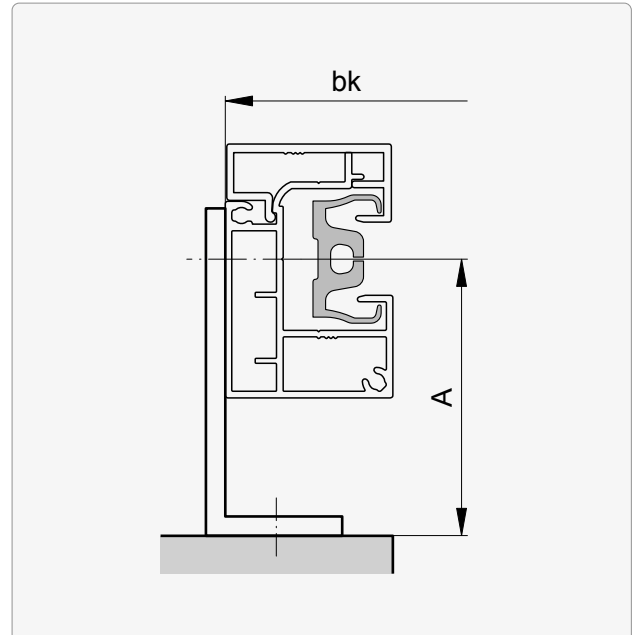
►► Guide rail fastenings (principle)

Bd Installation with continuous fastening bracket

Cd Installation with continuous fastening bracket

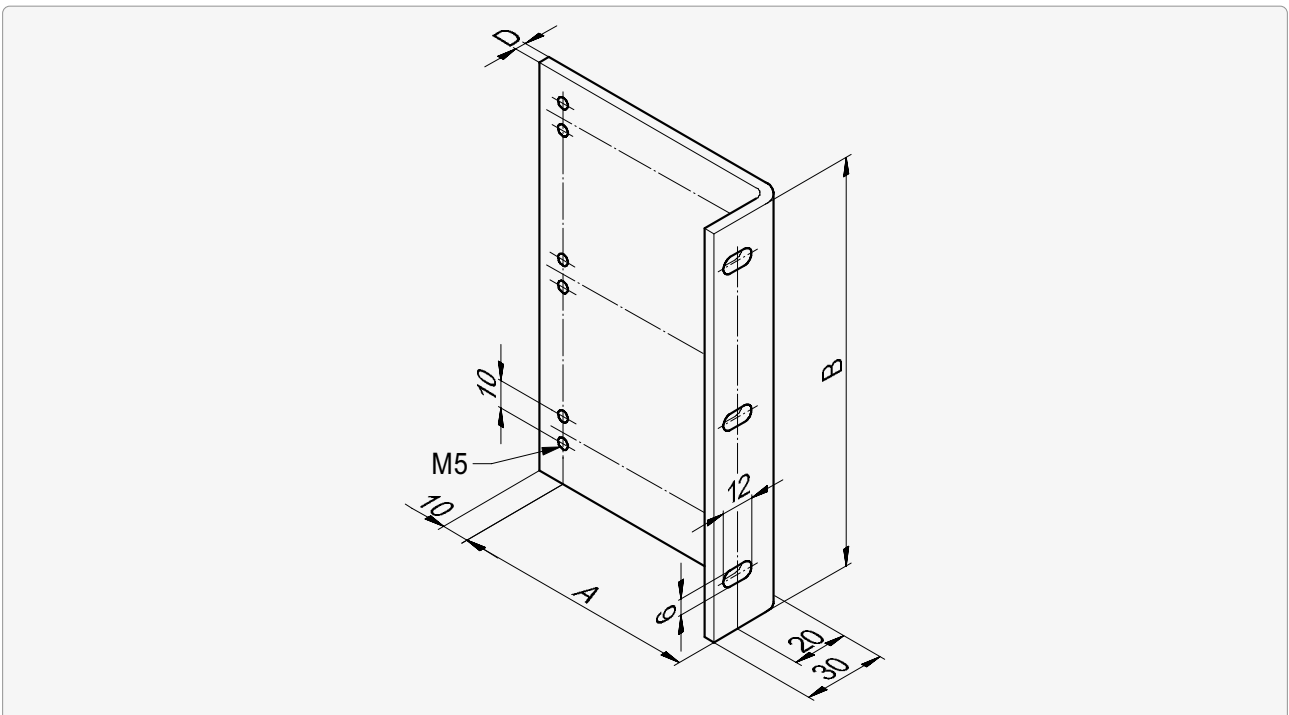


Bracket outwards



Bracket inwards

Continuous fastening bracket for types Bd and Cd



A*

20... 300

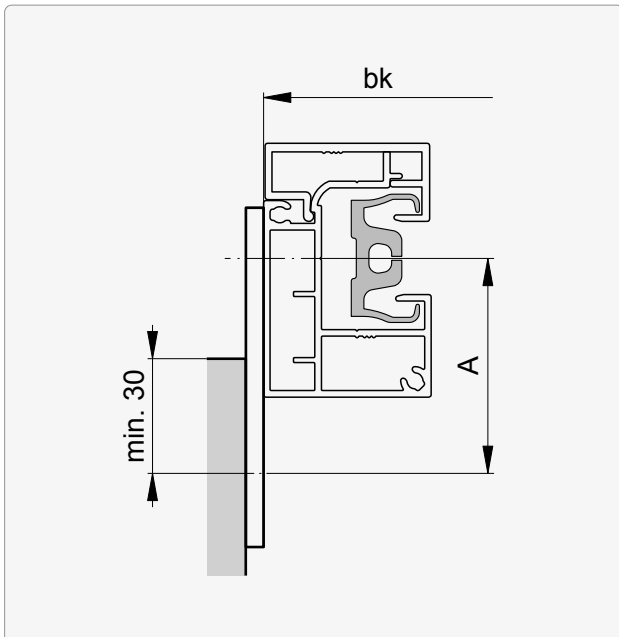
D

always 4

* in 5 mm steps

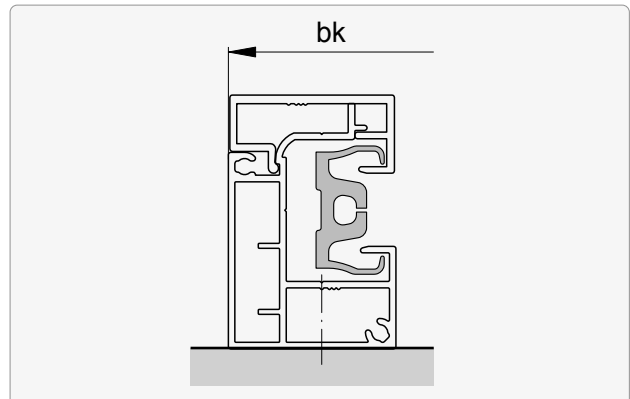
►► Guide rail fastenings (principle)

E Installation with fastening lug

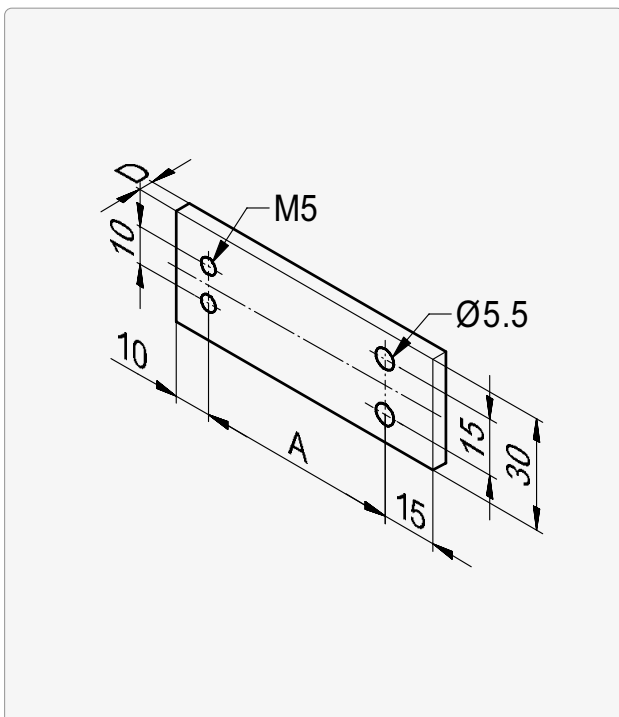


inwards / outwards

F Facade installation



Fastening lug for type E

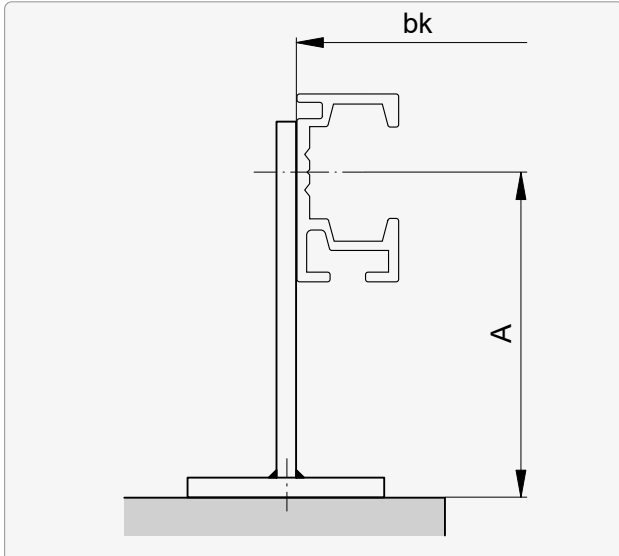


A*	D
50... 115	4
120... 215	5

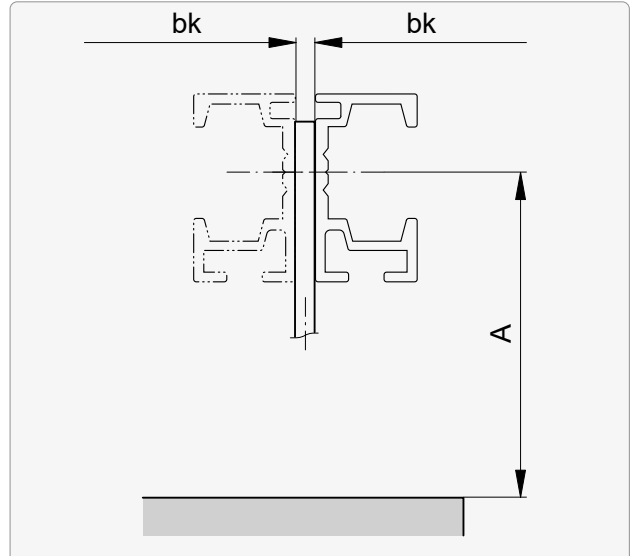
* in 5 mm steps

►► **Guide rail fastenings (principle)**

T Installation with T-bracket

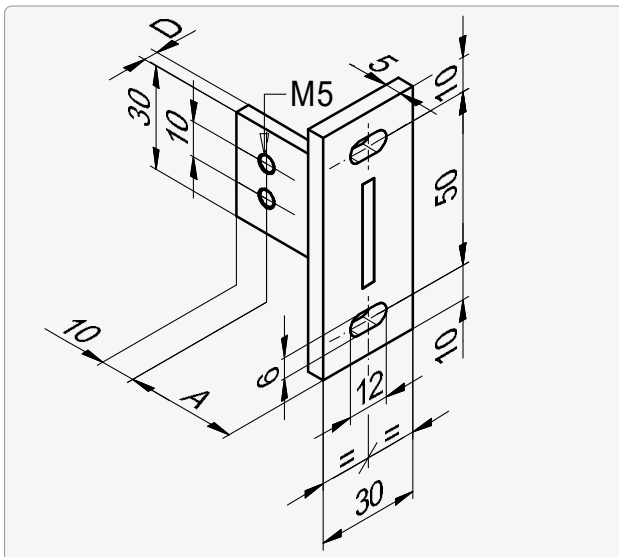


V Fixing to the guide fixing of the previous position



The blind on the right uses the fastening for the blind on the left.

T-bracket for type T



A*	D
35... 115**	4
120... 215	5

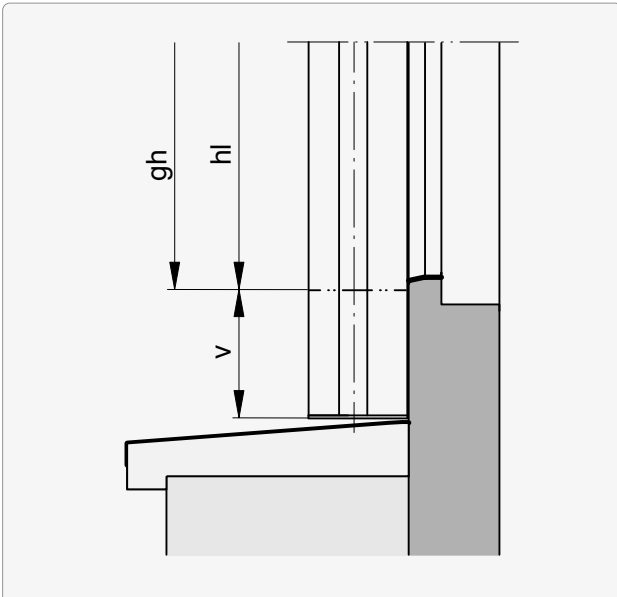
* in 5mm steps

** 30... 115 Box 85 / Intro 85

Guide extension and facet

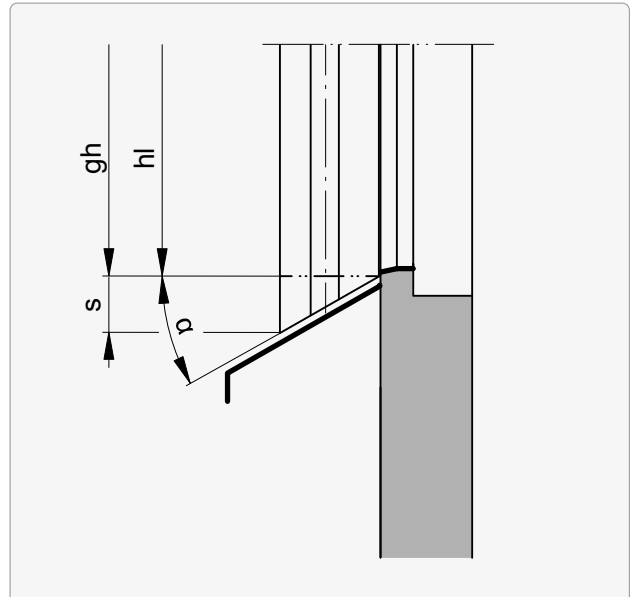
CS

Extension



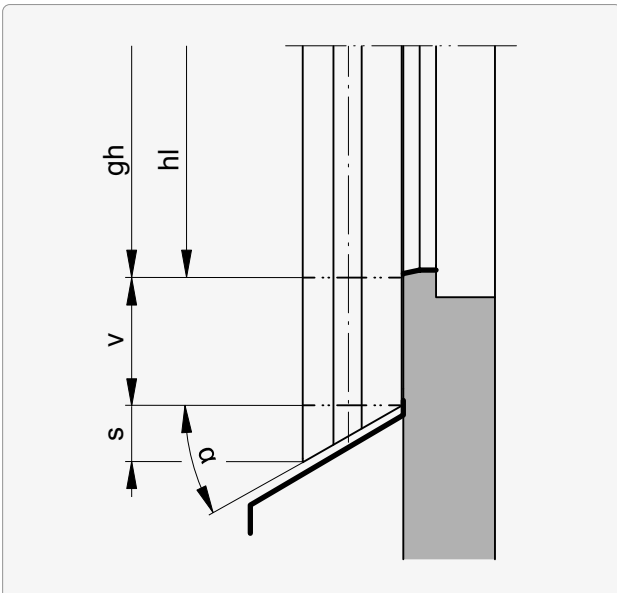
v
0 ... 1000

Facet



α
1 ... 60°

Extension and facet



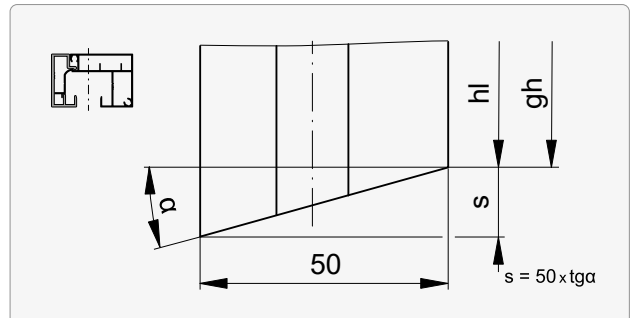
v
0 ... 1000

α
1 ... 60°

i $gh + v = \text{max. } 6000$

Angling at the guides

CS



α	s	α	s	α	s	α	s	α	s	α	s
1	1	11	10	21	19	31	30	41	43	51	62
2	2	12	11	22	20	32	31	42	45	52	64
3	3	13	12	23	21	33	32	43	47	53	66
4	3	14	12	24	22	34	34	44	48	54	69
5	4	15	13	25	23	35	35	45	50	55	71
6	5	16	14	26	24	36	36	46	52	56	74
7	6	17	15	27	25	37	38	47	54	57	77
8	7	18	16	28	27	38	39	48	56	58	80
9	8	19	17	29	28	39	40	49	58	59	83
10	9	20	18	30	29	40	42	50	60	60	87

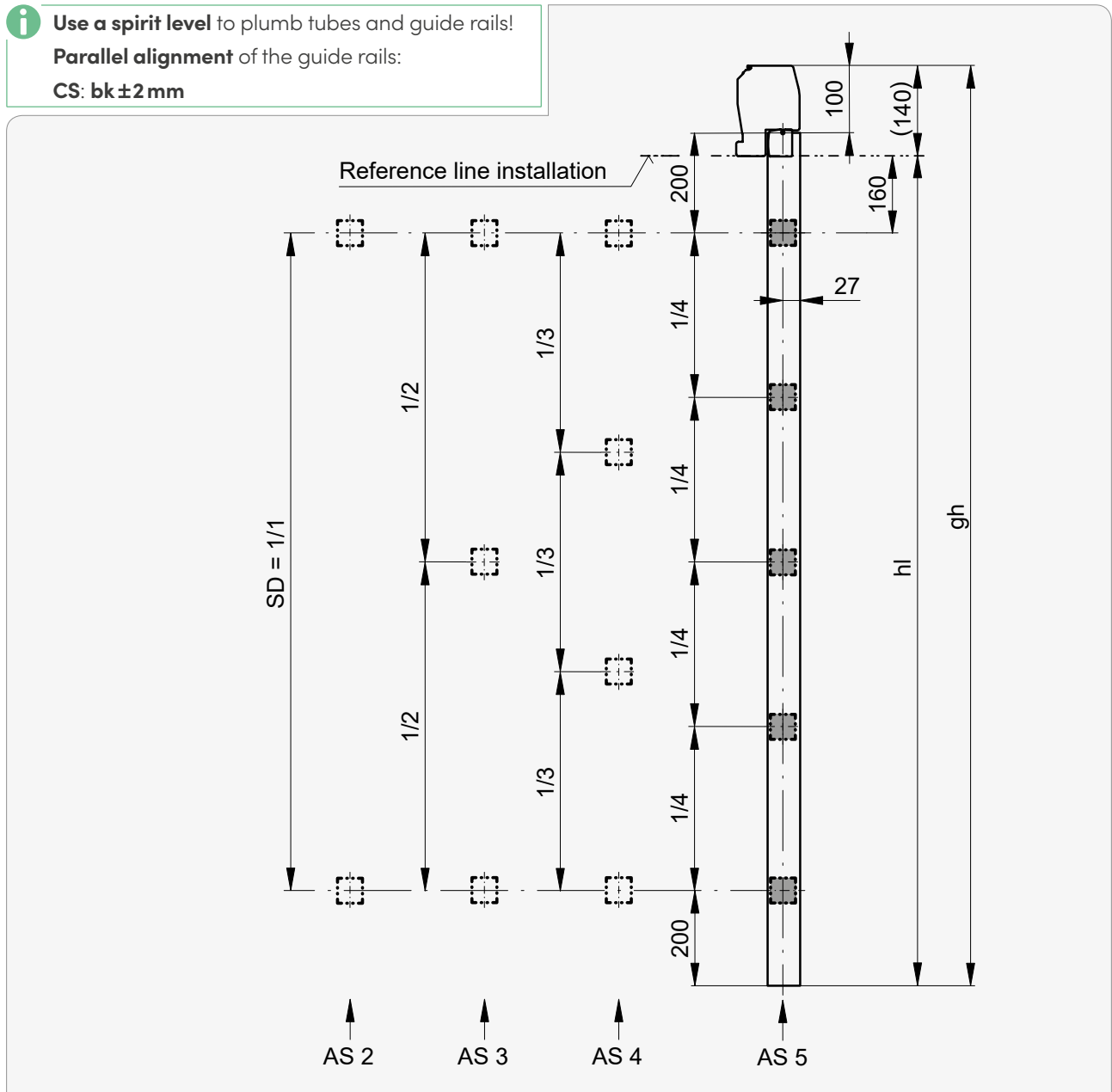
Fastening points Solozip® II Intro 95

Without facet

CS

bk	gh	AS
	≤ 1200	2
800 ... 3500	1201 ... 1900	3
	1901 ... 2600	4
	2601 ... 3000	5

i Use a spirit level to plumb tubes and guide rails!
Parallel alignment of the guide rails:
CS: bk ± 2 mm



AS Number of slits

gh Total height

SD Slot spacing

bk Width of construction

hl Finished clear height

➔ Guide rail fastenings..... 34

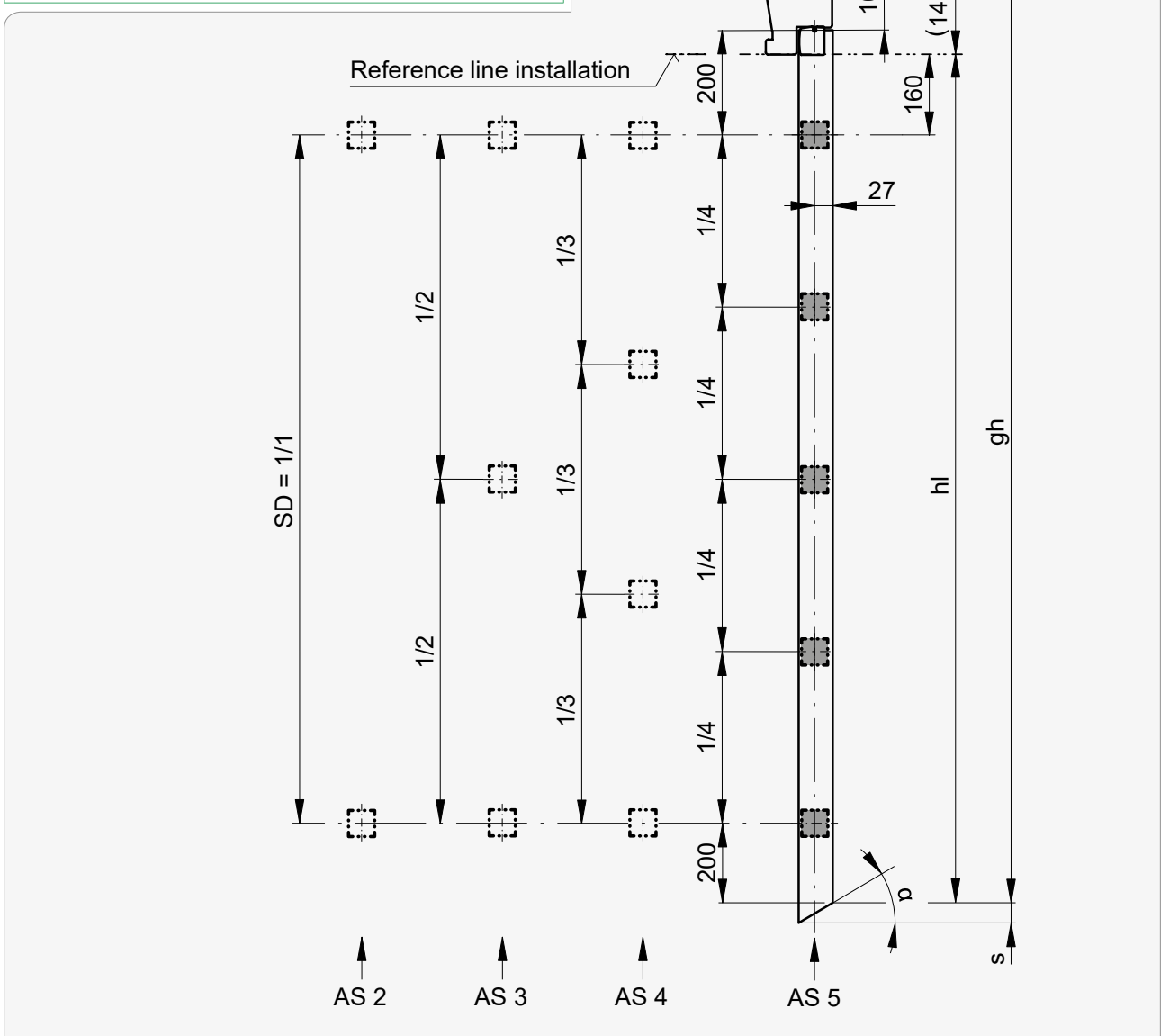
►► Fastening points Solozip® II Intro 95

With facet

CS

bk	gh	AS
	≤ 1200	2
800 ... 3500	1201 ... 1900	3
	1901 ... 2600	4
	2601 ... 3000	5

i Use a spirit level to plumb tubes and guide rails!
Parallel alignment of the guide rails:
CS: bk ± 2 mm



AS Number of slits
bk Width of construction

gh Total height
hl Finished clear height

SD Slot spacing
s Faceting (guide rail width × tgα)

➡ Angling at the guides..... 39

➡ Guide rail fastenings..... 34

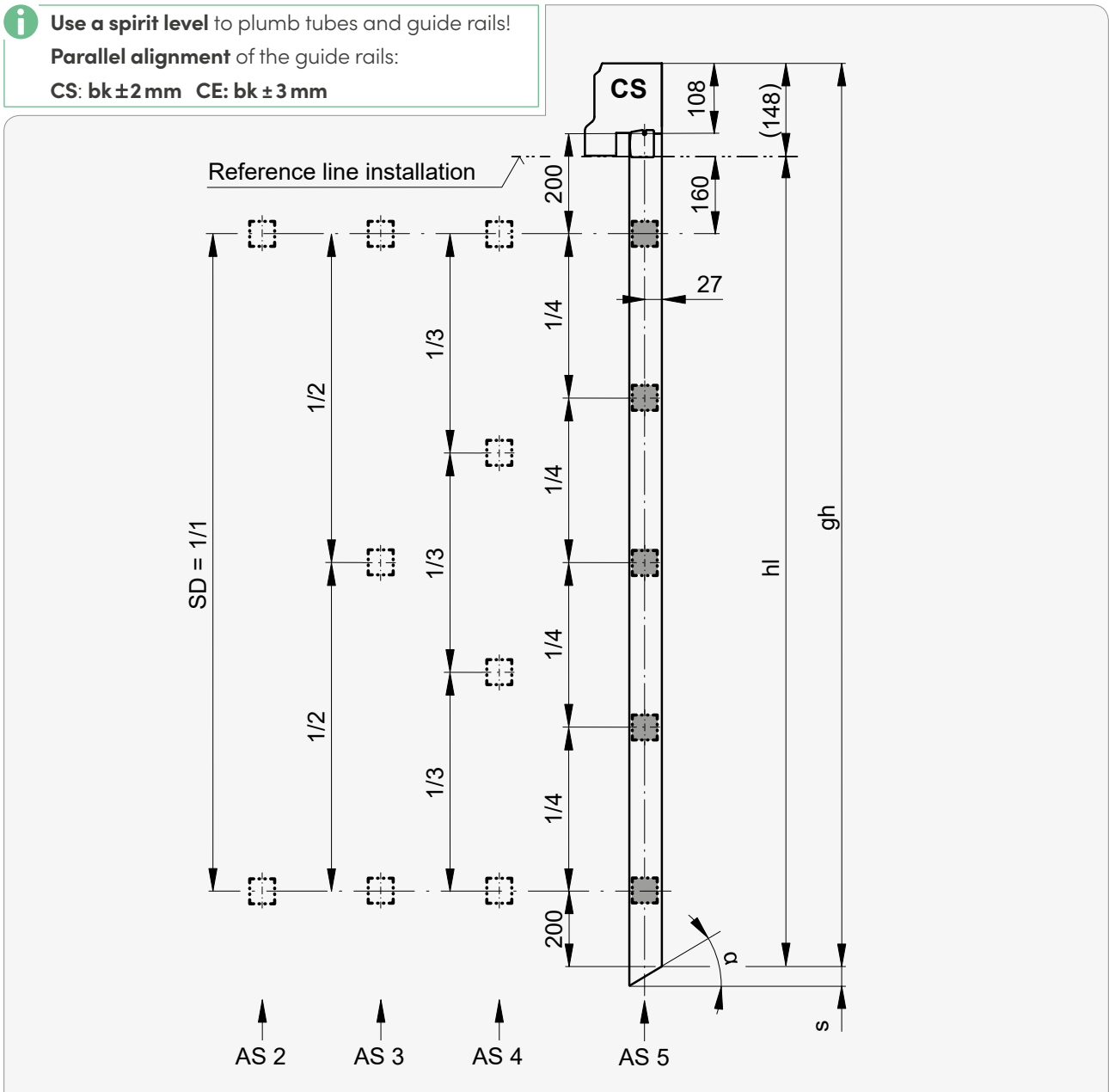
►► Fastening points Solozip® II Intro 100

With facet

CS

bk	gh	AS
800...4000	≤1200	2
	1201...1900	3
	1901...2600	4
	2601...3000	5

i Use a spirit level to plumb tubes and guide rails!
Parallel alignment of the guide rails:
CS: bk ± 2 mm CE: bk ± 3 mm



AS Number of slits
bk Width of construction

gh Total height
hl Finished clear height

SD Slot spacing
s Faceting (guide rail width × tgα)

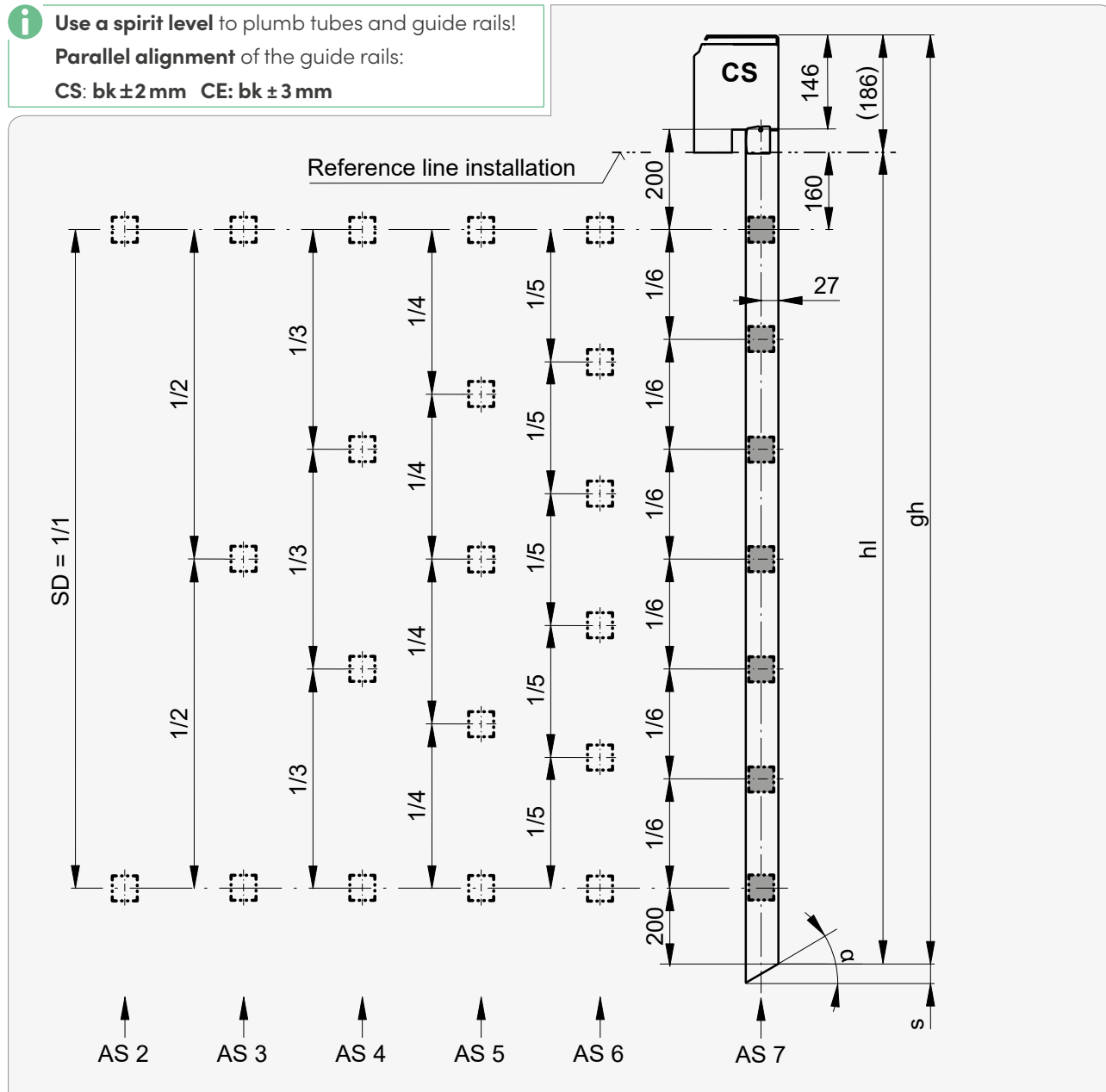
►► Fastening points Solozip® II Intro 130

With facet

CS

bk	gh	AS	bk	gh	AS
800...4000	≤1200	2	4001...6000	≤1000	2
	1201...1900	3		1001...1500	3
	1901...2600	4		1501...2000	4
	2601...3300	5		2001...2500	5
	3301...5500	6		2501...3700	6
	5501...6000	7		3701...6000	7

i Use a spirit level to plumb tubes and guide rails!
Parallel alignment of the guide rails:
CS: bk ± 2 mm CE: bk ± 3 mm



AS Number of slits

gh Total height

SD Slot spacing

bk Width of construction

hl Finished clear height

s Faceting (guide rail width \times $\tan \alpha$)

► Angling at the guides..... 39

► Guide rail fastenings..... 34

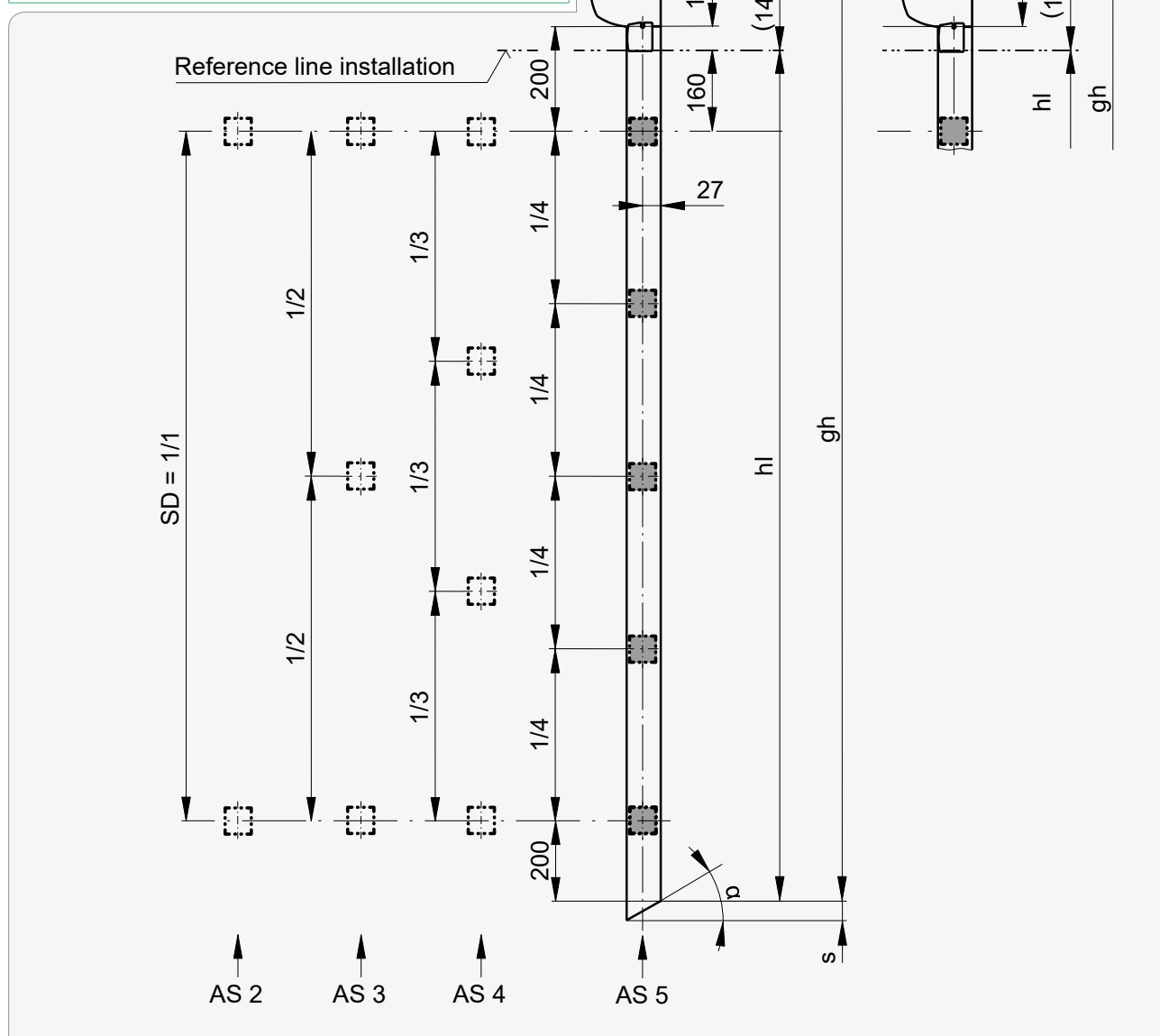
►► Fastening points Solozip® II Box 100

With facet

CS

bk	gh	AS
800...4000	≤1200	2
	1201...1900	3
	1901...2600	4
	2601...3000	5

i Use a spirit level to plumb tubes and guide rails!
Parallel alignment of the guide rails:
CS: bk ± 2 mm



AS Number of slits

gh Total height

SD Slot spacing

bk Width of construction

hl Finished clear height

s Faceting (guide rail width × tgα)

➔ Angling at the guides..... 39

➔ Guide rail fastenings..... 34

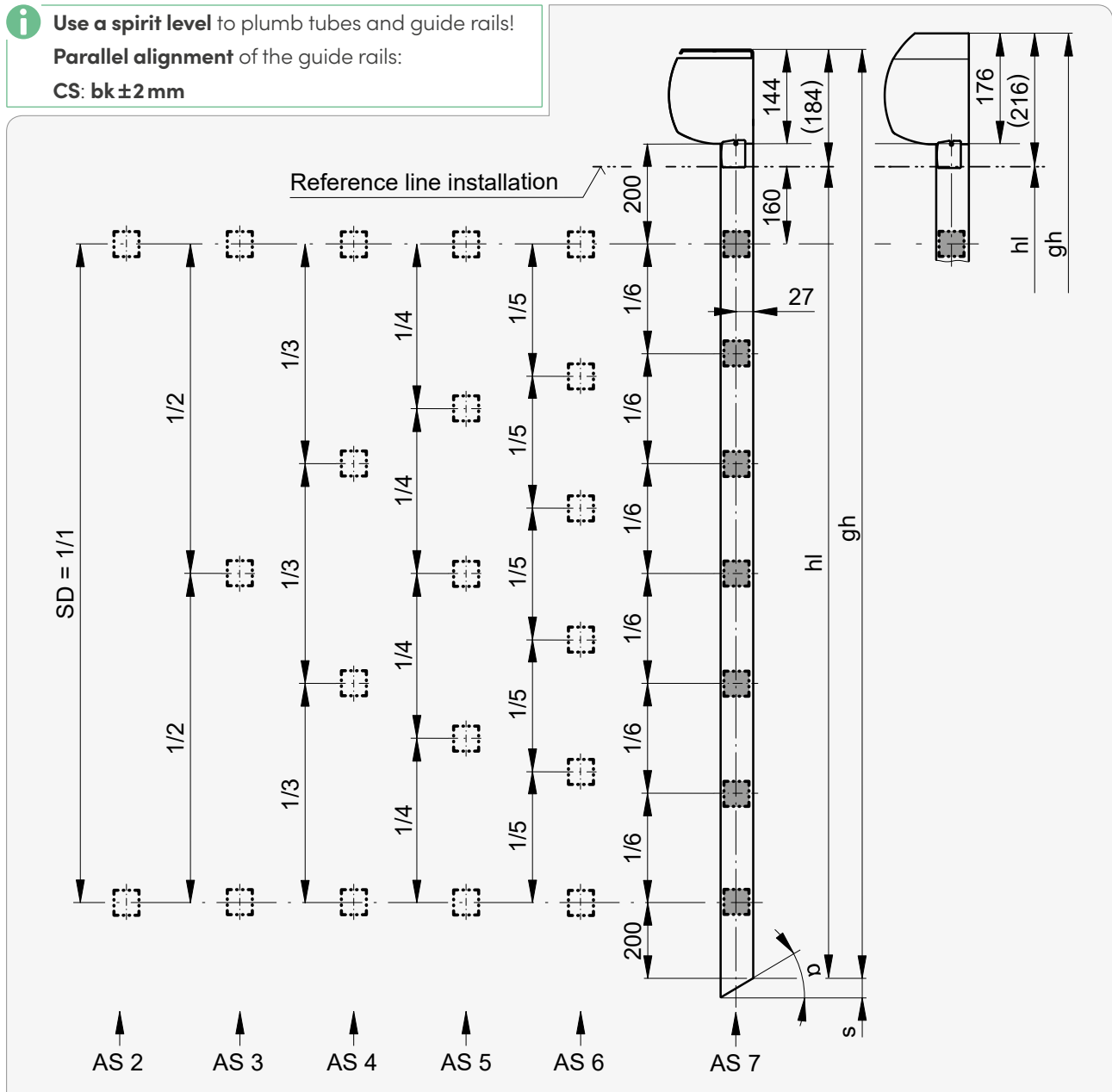
►► Fastening points Solozip® II Box 130

With facet

CS

bk	gh	AS	bk	gh	AS
800...4000	≤1200	2	4001...6000	≤1000	2
	1201...1900	3		1001...1500	3
	1901...2600	4		1501...2000	4
	2601...3300	5		2001...2500	5
	3301...5500	6		2501...3700	6
	5501...6000	7		3701...6000	7

i Use a spirit level to plumb tubes and guide rails!
Parallel alignment of the guide rails:
CS: bk ± 2 mm



AS Number of slits

gh Total height

SD Slot spacing

bk Width of construction

hl Finished clear height

s Faceting (guide rail width × tgα)

➡ Angling at the guides..... 39

➡ Guide rail fastenings..... 34

Soloscreen® IV

Overview	51
Definitions of dimensions	52

Specifications

Limit dimensions Soloscreen® IV Intro 85	54
Limit dimensions Soloscreen® IV Intro 85 Connected systems	55
Limit dimensions Soloscreen® IV Intro 115	56
Limit dimensions Soloscreen® IV Intro 115 Connected systems	57
Limit dimensions Soloscreen® IV Box 85	58
Limit dimensions Soloscreen® IV Box 115	59
Limit dimensions Soloscreen® IV Soft	60
Limit dimensions Soloscreen® IV Soft Connected systems	61
Box versions	62
Soffit covers	64

Mounting situations

Built-in system	65
Built-in system with box	72
Built-in system under lintel	86

Curtain guides

Drop bars	89
Guide rails	90
Cable guide Tension spring at the bottom	92
Cable guide Tension spring at the top (Intro 115 / Box 115 / Soft)	94
Slat guide	95

Drive

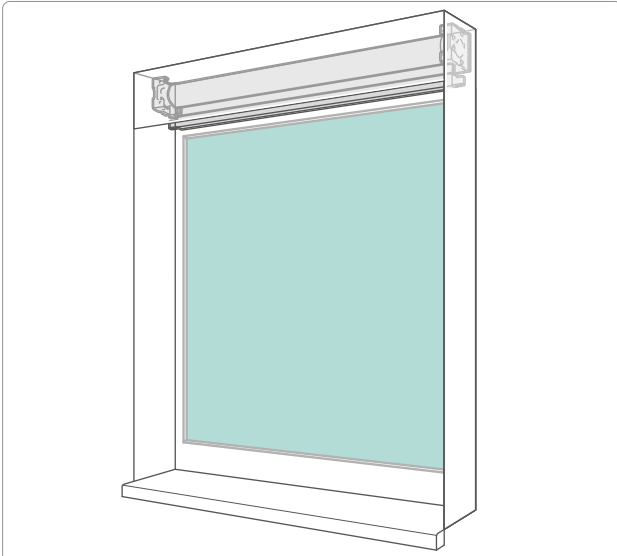
Orientation of cable and crank outlet	98
Electrically driven with motor	112
Orientation of crank outlet MBMA	113
Connected systems	118

Fastenings

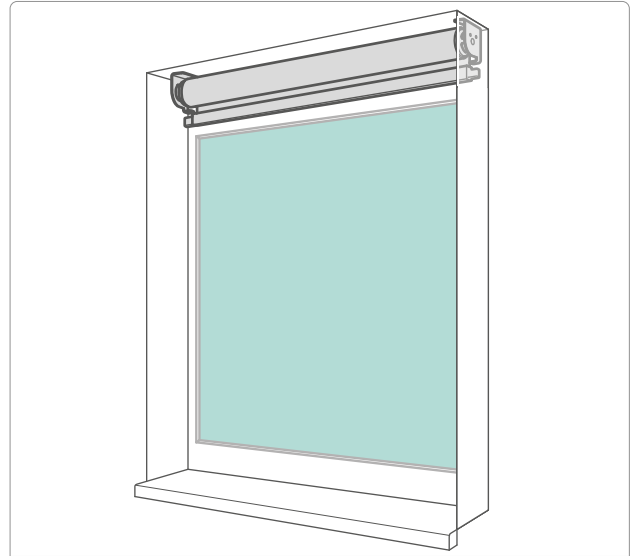
Bearings	121
Backside profile, box fastenings	123
Guide rail fastenings	124
Guide extension and facet	130
Angling at the guides	131
Guide rail fastenings	132

Overview

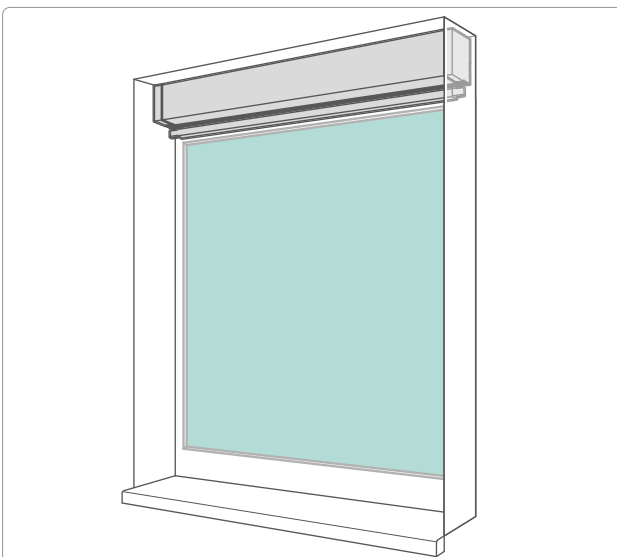
Built-in system | Intro



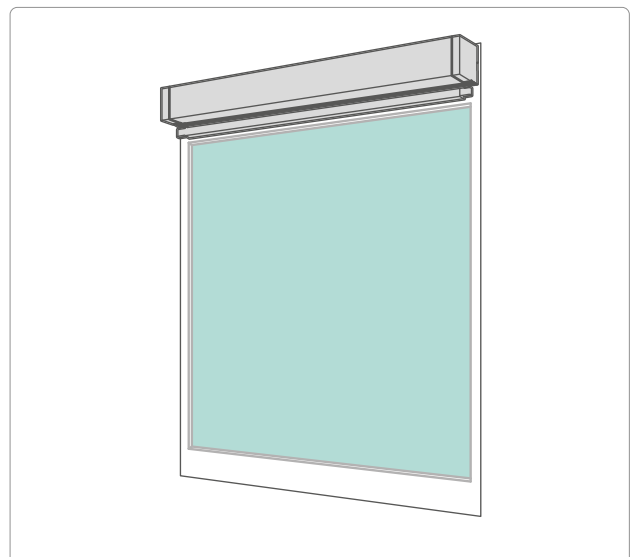
Built-in system | Soft



Built-in system | Box



Facade system | Box

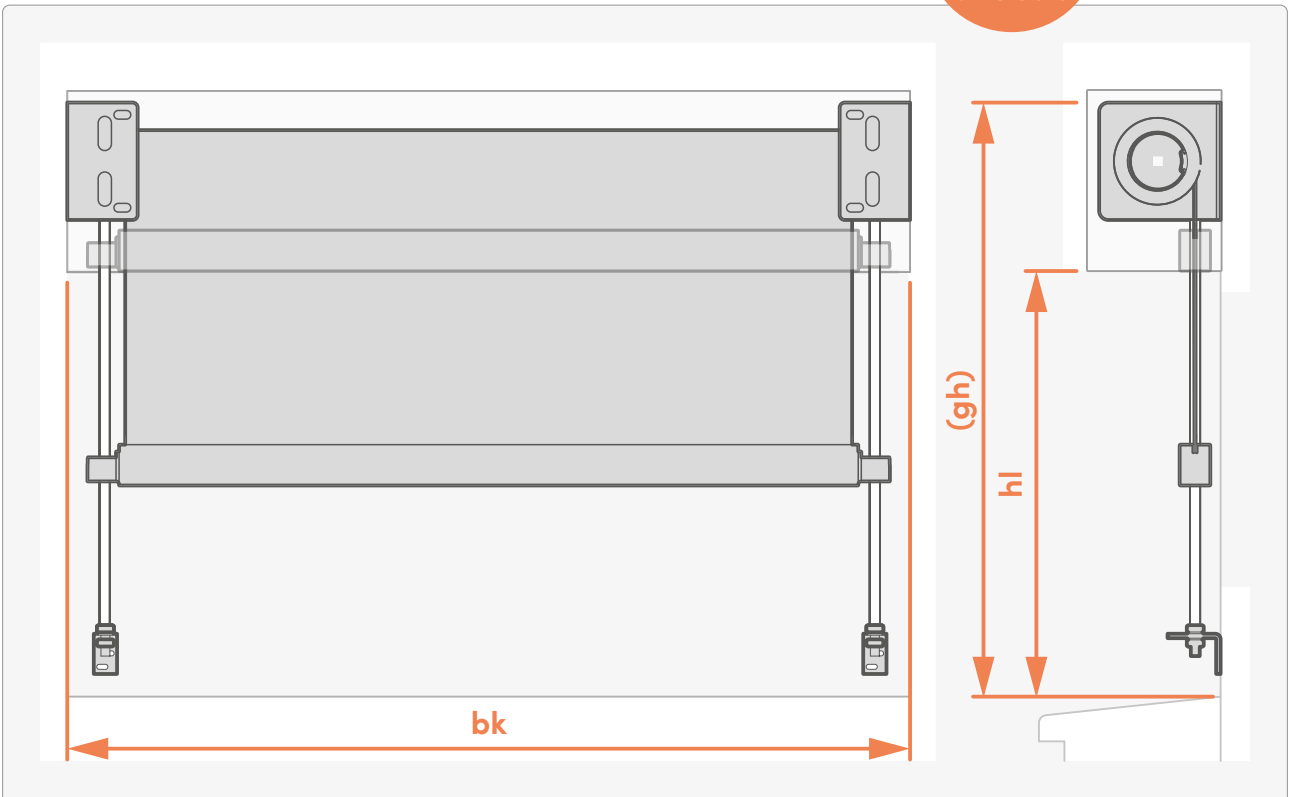


Limit dimensions	Width (bk)		Height (gh)		Surface (S)
	min.	max.	min.	max.	max.
Soloscreen® IV Intro 85 Soloscreen® IV Box 85					
Crank drive	400	3000	400	3000	8.4
Motor drive	670*	3000	400	3000	9.0
Soloscreen® IV Intro 115 Soloscreen® IV Box 115					
Crank drive	400	4000	400	4000	10
Motor drive	715*	4500	400	4000	12
Soloscreen® IV Soft					
Crank drive	400	4000	400	4000	10
Motor drive	715*	4500	400	4000	12

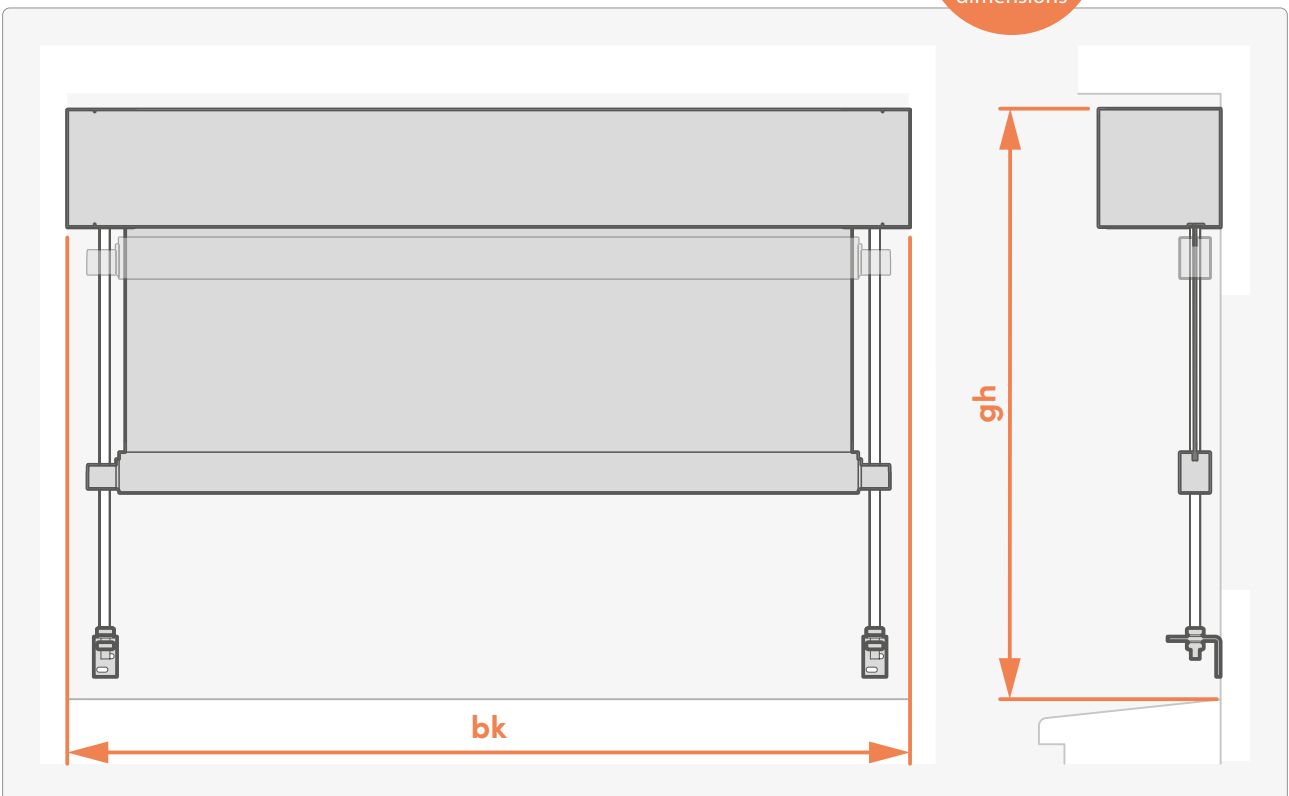
* Standard ASA Motor: 10Nm

Definitions of dimensions

Soloscreen® IV Intro



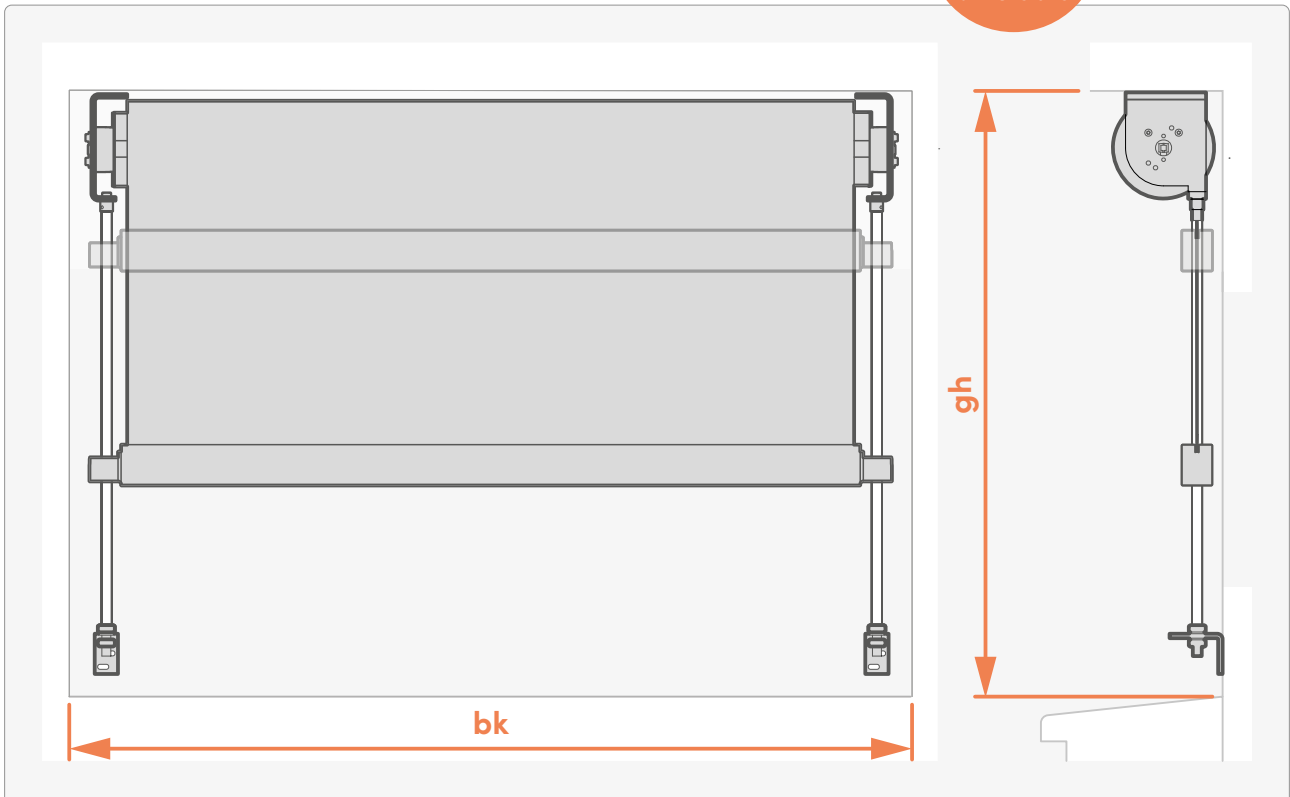
Soloscreen® IV Box



►► **Definitions of dimensions**

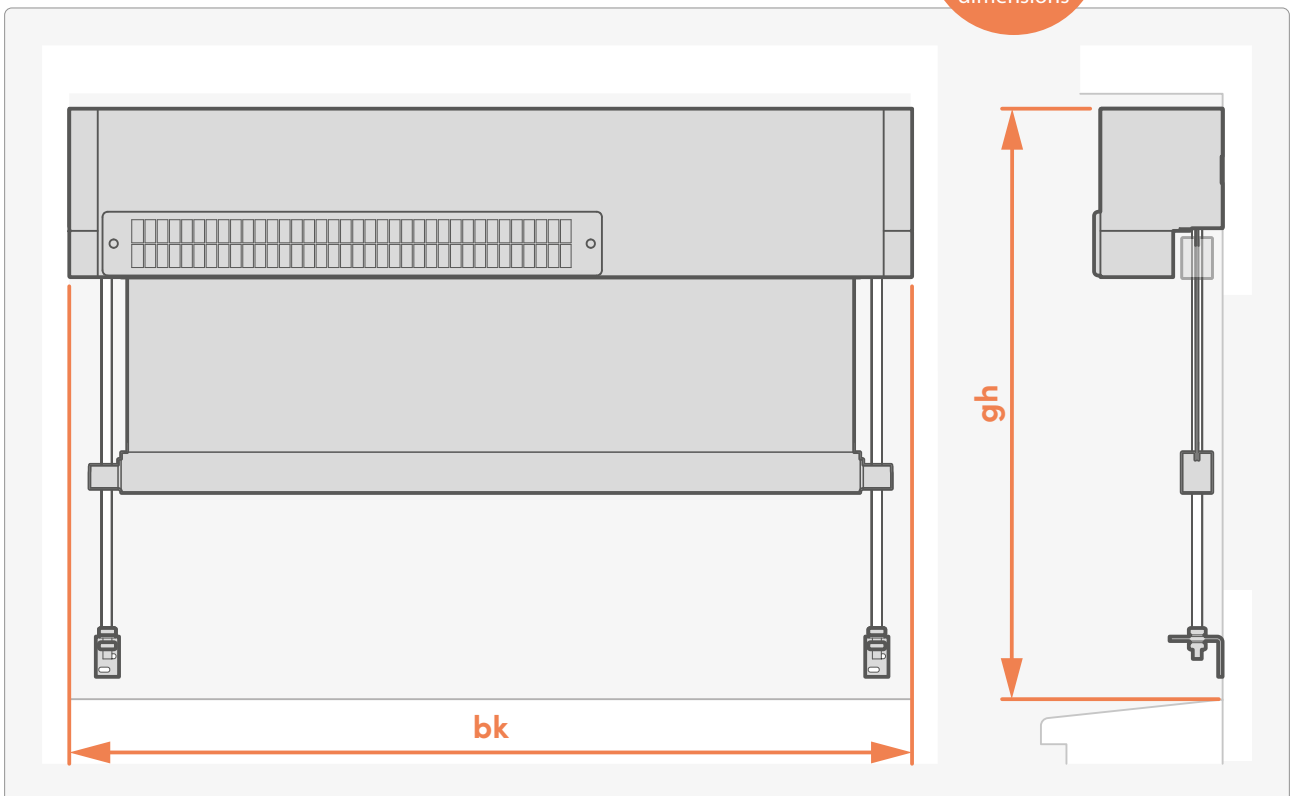
Solosreen® IV Soft

NEW
Definitions of dimensions



Solosreen® IV Box Solar

NEW
Definitions of dimensions



Limit dimensions Soloscreen® IV Intro 85

Crank drive

Fabric collection	Width (bk)			Height (gh)			Surface (s)	
	min.	max. Tube ø35	max. Tube ø58	min.	max. Tube ø35	max. Tube ø58	max. Tube ø35	max. Tube ø58
Emotion	400	2200	3000	400	2500	1500	5.5	4.5
Twilight 297 Pearl		2200	3000		2500	1500	5.5	4.5
Sattler 314, 315, 320		2200	3000		2500	1500	5.5	4.5
Satiné 5501		2400	2800		2200	3000	5.3	7
Soltis 7635 / Satiné 5500		2400	3000		3000	2200	6	6.6
Soltis 86, 88, 92		2400	2800		2500	3000	6	8.4
Soltis B92		2400	3000		3000	3000	6	8.4
Satiné 21154		2400	2800		2200	2400	5.3	6.5

Motor drive

Fabric collection	Width (bk)			Height (gh)			Surface (s)	
	min.		max. Tube ø58	min.		max. Tube ø58		max. Tube ø58
Emotion	670*		3000	400		1500		4.5
Twilight 297 Pearl			3000			1500		4.5
Sattler 314, 315, 320			3000			1500		4.5
Satiné 5501			2800			3000		7
Soltis 7635 / Satiné 5500			3000			2200		6.6
Soltis 86, 88, 92			2800			3000		8.4
Soltis B92			3000			3000		9
Satiné 21154			2800			2400		6.5

* Griesser Motor 10Nm

	Griesser		SIMU			SOMFY				Elero	
	Mech.	Radio	Mech.	Hz BHz	Solar Hz	Mech.	Short	RTS IO	Solar IO	Mech.	BiLine
Width min. (bk)	675*	735	670	770	630	680	575	810	630	630	630

Limit dimensions Solosreen® IV Intro 85 Connected systems

Motor drive 1× connected

Fabric collection	Width (bk)	min.	Height (gh)	Surface (s)
	max. Tube ø58		max. Tube ø58	max. Tube ø58
Emotion	3000	400	1500	9
Twilight 297 Pearl	3000		1500	9
Sattler 314, 315, 320	3000		1500	9
Satiné 5501	2800		3000	14
Soltis 7635 / Satiné 5500	3000		2200	13.2
Soltis 86, 88, 92	2800		3000	16.8
Soltis B92	3000		3000	16.8
Satiné 21154	2800		2400	13

Motor drive 2× connected

Fabric collection	Width (bk)	min.	Height (gh)	Surface (s)
	max. Tube ø58		max. Tube ø58	max. Tube ø58
Emotion	3000	400	1500	13.5
Twilight 297 Pearl	3000		1500	13.5
Sattler 314, 315, 320	3000		1500	13.5
Satiné 5501	2800		3000	18
Soltis 7635 / Satiné 5500	3000		2200	18
Soltis 86, 88, 92	2800		3000	18
Soltis B92	3000		3000	18
Satiné 21154	2800		2400	18

Limit dimensions Soloscreen® IV Intro 115

Crank drive

Fabric collection	Width (bk)			Height (gh)			Surface (s)	
	min.	max. Tube ø58	max. Tube ø82	min.	max. Tube ø58	max. Tube ø82	max. Tube ø58	max. Tube ø82
Emotion	400	3000	4000	400	4000	2500	9	10
Twilight 297 Pearl		3000	4000		4000	2500	9	10
Sattler 314, 315, 320		3000	4000		4000	2500	9	10
Satiné 5501		2800	4000		3000	4000	7	10
Soltis 7635 / Satiné 5500		3000	4000		4000	3800	9	10
Soltis 86, 88, 92		3000	4000		4000	2500	9	10
Soltis B92		2800	3500		4000	4000	9	10
Satiné 21154		2800	3500		2400	3800	6.5	10

Motor drive

Fabric collection	Width (bk)			Height (gh)			Surface (s)	
	min.	max. Tube ø58	max. Tube ø82	min.	max. Tube ø58	max. Tube ø82	max. Tube ø58	max. Tube ø82
Emotion	715*	3000	4500	400	4000	2500	9	11.25
Twilight 297 Pearl		3000	4500		4000	2500	9	11.25
Sattler 314, 315, 320		3000	4500		4000	2500	9	11.25
Satiné 5501		2800	4000		3000	4000	7	10
Soltis 7635 / Satiné 5500		3000	4500		4000	3800	9	12
Soltis 86, 88, 92		3000	4000		4000	2500	9	12
Soltis B92		2800	3500		4000	4000	9	12
Satiné 21154		2800	4000		2400	3800	6.5	10

* Griesser Motor 10Nm

	Griesser		SIMU			SOMFY				Elero	
	Mech.	Radio	Mech.	Hz BHz	Solar Hz	Mech.	Short	RTS IO	Solar IO	Mech.	BiLine
Width min. (bk)	725*	735	710	810	675	720	625	850	675	675	675

Limit dimensions Solosreen® IV Intro 115 Connected systems

Motor drive 1× connected

Fabric collection	Width (bk)		min.	Height (gh)		Surface (s)	
	max. Tube ø58	max. Tube ø82		max. Tube ø58	max. Tube ø82	max. Tube ø58	max. Tube ø82
Emotion	3000	4000	400	4000	2500	18	22.5
Twilight 297 Pearl	3000	4000		4000	2500	18	22.5
Sattler 314, 315, 320	3000	4000		4000	2500	18	22.5
Satiné 5501	2800	4000		3000	4000	14	20
Soltis 7635 / Satiné 5500	3000	4000		4000	3800	18	24
Soltis 86, 88, 92	3000	4000		4000	2500	18	24
Soltis B92	2800	3500		4000	4000	18	24
Satiné 21154	2800	3500		2400	3800	13	20

Motor drive 2× connected

Fabric collection	Width (bk)		min.	Height (gh)		Surface (s)	
	max. Tube ø58	max. Tube ø82		max. Tube ø58	max. Tube ø82	max. Tube ø58	max. Tube ø82
Emotion	3000	4500	400	4000	2500	24	24
Twilight 297 Pearl	3000	4500		4000	2500	24	24
Sattler 314, 315, 320	3000	4500		4000	2500	24	24
Satiné 5501	2800	4000		3000	4000	21	24
Soltis 7635 / Satiné 5500	3000	4500		4000	3800	24	24
Soltis 86, 88, 92	3000	4000		4000	2500	24	24
Soltis B92	2800	3500		4000	4000	24	24
Satiné 21154	2800	4000		2400	3800	19.5	24

Limit dimensions Soloscreen® IV Box 85

Crank drive

Fabric collection	Width (bk)			Height (gh)			Surface (s)	
	min.	max. Tube ø35	max. Tube ø58	min.	max. Tube ø35	max. Tube ø58	max. Tube ø35	max. Tube ø58
Emotion		2200	3000		2500	1500	5.5	4.5
Twilight 297 Pearl	400	2200	3000	400	2500	1500	5.5	4.5
Sattler 314, 315, 320		2200	3000		2500	1500	5.5	4.5
Satiné 5501		2400	2800		2200	3000	5.3	7
Soltis 7635 / Satiné 5500		2400	3000		3000	2200	6	6.6
Soltis 86, 88, 92		2400	2800		2500	3000	6	8.4
Soltis B92		2400	3000		3000	3000	6	8.4
Satiné 21154		2400	2800		2200	2400	5.3	6.5

Motor drive

Fabric collection	Width (bk)			Height (gh)			Surface (s)	
	min.		max. Tube ø58	min.		max. Tube ø58		max. Tube ø58
Emotion	670*		3000	400		1500		4.5
Twilight 297 Pearl			3000			1500		4.5
Sattler 314, 315, 320			3000			1500		4.5
Satiné 5501			2800			3000		7
Soltis 7635 / Satiné 5500			3000			2200		6.6
Soltis 86, 88, 92			2800			3000		8.4
Soltis B92			3000			3000		9
Satiné 21154			2800			2400		6.5

* Griesser Motor 10Nm

	Griesser		SIMU			SOMFY				Elero	
	Mech.	Radio	Mech.	Hz BHz	Solar Hz	Mech.	Short	RTS IO	Solar IO	Mech.	BiLine
Width min. (bk)	675*	735	670	770	630	680	575	810	630	630	630

Limit dimensions Solosreen® IV Box 115

Crank drive

Fabric collection	Width (bk)			Height (gh)			Surface (s)	
	min.	max.	max.	min.	max.	max.	max.	max.
		Tube ø58	Tube ø82		Tube ø58	Tube ø82	Tube ø58	Tube ø82
Emotion	400	3000	4000	400	4000	2500	9	10
Twilight 297 Pearl		3000	4000		4000	2500	9	10
Sattler 314, 315, 320		3000	4000		4000	2500	9	10
Satiné 5501		2800	4000		3000	4000	7	10
Soltis 7635 / Satiné 5500		3000	4000		4000	3000	9	10
Soltis 86, 88, 92		3000	4000		4000	2500	9	10
Soltis B92		2800	3500		4000	4000	9	10
Satiné 21154		2800	3500		2400	3800	6.5	10

Motor drive

Fabric collection	Width (bk)			Height (gh)			Surface (s)	
	min.	max.	max.	min.	max.	max.	max.	max.
		Tube ø58	Tube ø82		Tube ø58	Tube ø82	Tube ø58	Tube ø82
Emotion	715*	3000	4500	400	4000	2500	9	11.25
Twilight 297 Pearl		3000	4500		4000	2500	9	11.25
Sattler 314, 315, 320		3000	4500		4000	2500	9	11.25
Satiné 5501		2800	4000		3000	4000	7	10
Soltis 7635 / Satiné 5500		3000	4500		4000	3800	9	12
Soltis 86, 88, 92		3000	4000		4000	2500	9	12
Soltis B92		2800	3500		4000	4000	9	12
Satiné 21154		2800	4000		2400	3800	6.5	10

* Griesser Motor 10Nm

	Griesser		SIMU			SOMFY				Elero	
	Mech.	Funk	Mech.	Hz BHz	Solar Hz	Mech.	Kurz	RTS IO	Solar IO	Mech.	BiLine
Width min. (bk)	725*	735	710	810	675	720	625	850	675	675	675

Limit dimensions Soloscreen® IV Soft

Crank drive

Fabric collection	Width (bk)			Height (gh)			Surface (s)	
	min.	max. Tube ø58	max. Tube ø82	min.	max. Tube ø58	max. Tube ø82	max. Tube ø58	max. Tube ø82
Emotion	400	3000	4000	400	4000	2500	9	10
Twilight 297 Pearl		3000	4000		4000	2500	9	10
Sattler 314, 315, 320		3000	4000		4000	2500	9	10
Satiné 5501		2800	4000		3000	4000	7	10
Soltis 7635 / Satiné 5500		3000	4000		4000	3800	9	10
Soltis 86, 88, 92		3000	4000		4000	2500	9	10
Soltis B92		2800	3500		4000	4000	9	10
Satiné 21154		2800	3500		2400	3800	6.5	10

Motor drive

Fabric collection	Width (bk)			Height (gh)			Surface (s)	
	min.	max. Tube ø58	max. Tube ø82	min.	max. Tube ø58	max. Tube ø82	max. Tube ø58	max. Tube ø82
Emotion	715*	3000	4500	400	4000	2500	9	11.25
Twilight 297 Pearl		3000	4500		4000	2500	9	11.25
Sattler 314, 315, 320		3000	4500		4000	2500	9	11.25
Satiné 5501		2800	4000		3000	4000	7	10
Soltis 7635 / Satiné 5500		3000	4500		4000	3800	9	12
Soltis 86, 88, 92		3000	4000		4000	2500	9	12
Soltis B92		2800	3500		4000	4000	9	12
Satiné 21154		2800	4000		2400	3800	6.5	10

* Griesser Motor 10Nm

	Griesser		SIMU			SOMFY				Elero	
	Mech.	Radio	Mech.	Hz BHz	Solar Hz	Mech.	Short	RTS IO	Solar IO	Mech.	BiLine
Width min. (bk)	725*	735	710	810	675	720	625	850	675	675	675

Limit dimensions Solosreen® IV Soft Connected systems

Motor drive 1× connected

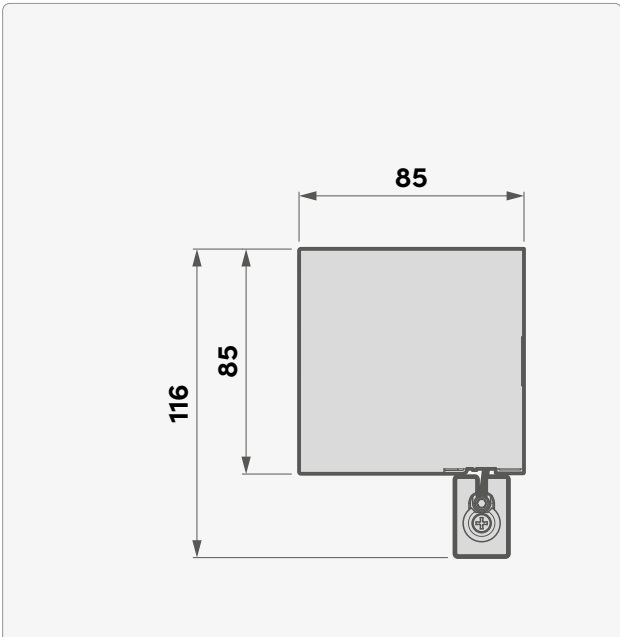
Fabric collection	Width (bk)		min.	Height (gh)		Surface (s)	
	max. Tube ø58	max. Tube ø82		max. Tube ø58	max. Tube ø82	max. Tube ø58	max. Tube ø82
Emotion	3000	4000	400	4000	2500	18	22.5
Twilight 297 Pearl	3000	4000		4000	2500	18	22.5
Sattler 314, 315, 320	3000	4000		4000	2500	18	22.5
Satiné 5501	2800	4000		3000	4000	14	20
Soltis 7635 / Satiné 5500	3000	4000		4000	3800	18	24
Soltis 86, 88, 92	3000	4000		4000	2500	18	24
Soltis B92	2800	3500		4000	4000	18	24
Satiné 21154	2800	3500		2400	3800	13	20

Motor drive 2× connected

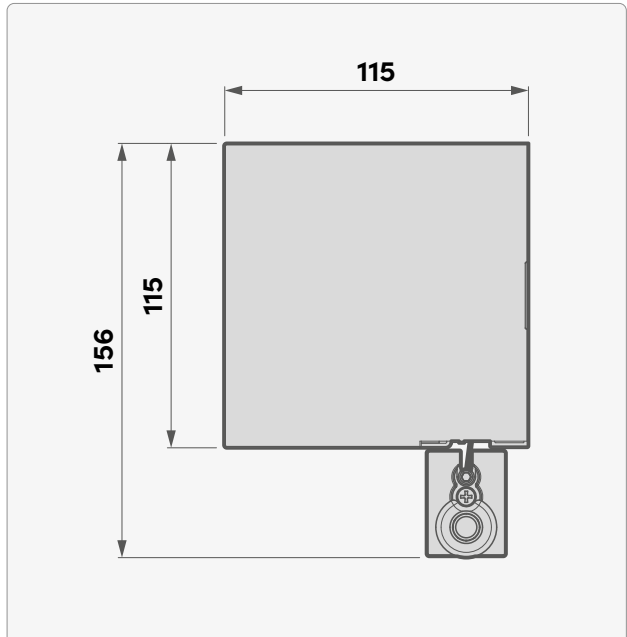
Fabric collection	Width (bk)		min.	Height (gh)		Surface (s)	
	max. Tube ø58	max. Tube ø82		max. Tube ø58	max. Tube ø82	max. Tube ø58	max. Tube ø82
Emotion	3000	4500	400	4000	2500	24	24
Twilight 297 Pearl	3000	4500		4000	2500	24	24
Sattler 314, 315, 320	3000	4500		4000	2500	24	24
Satiné 5501	2800	4000		3000	4000	21	24
Soltis 7635 / Satiné 5500	3000	4500		4000	3800	24	24
Soltis 86, 88, 92	3000	4000		4000	2500	24	24
Soltis B92	2800	3500		4000	4000	24	24
Satiné 21154	2800	4000		2400	3800	19.5	24

Box versions

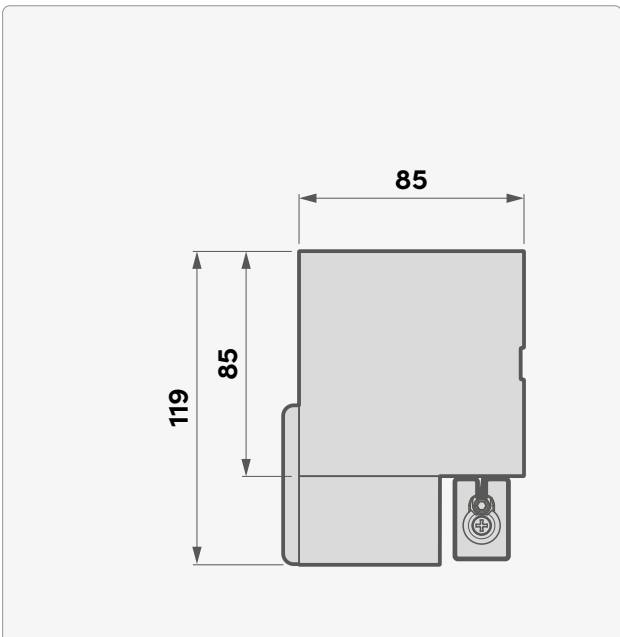
Soloscreen® IV 85 | Square



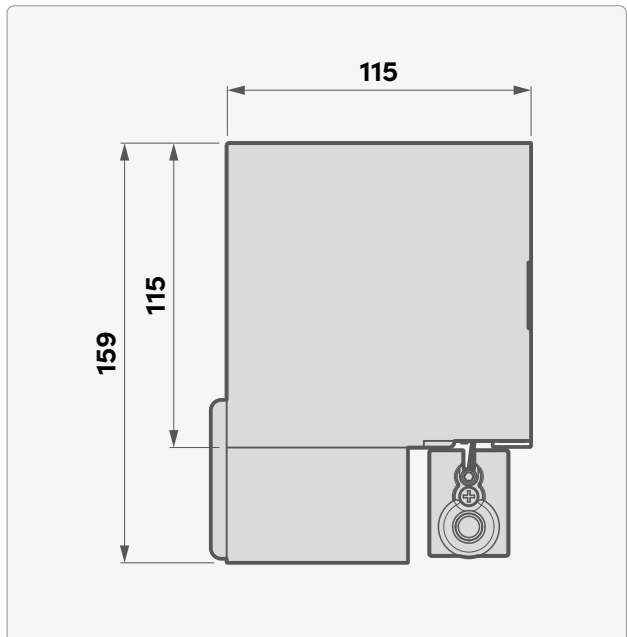
Soloscreen® IV 115 | Square

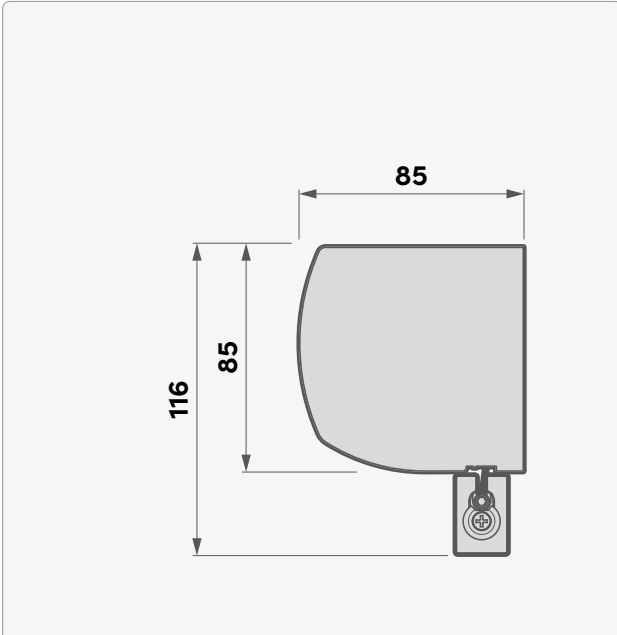
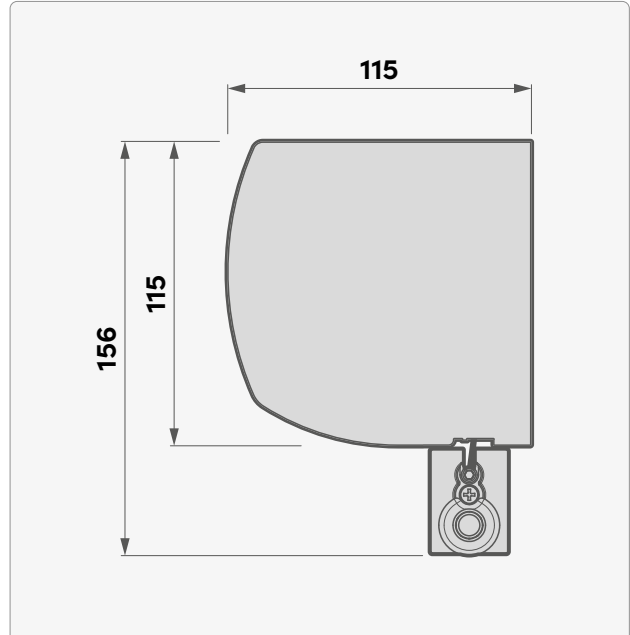


Soloscreen® IV 85 | Solar



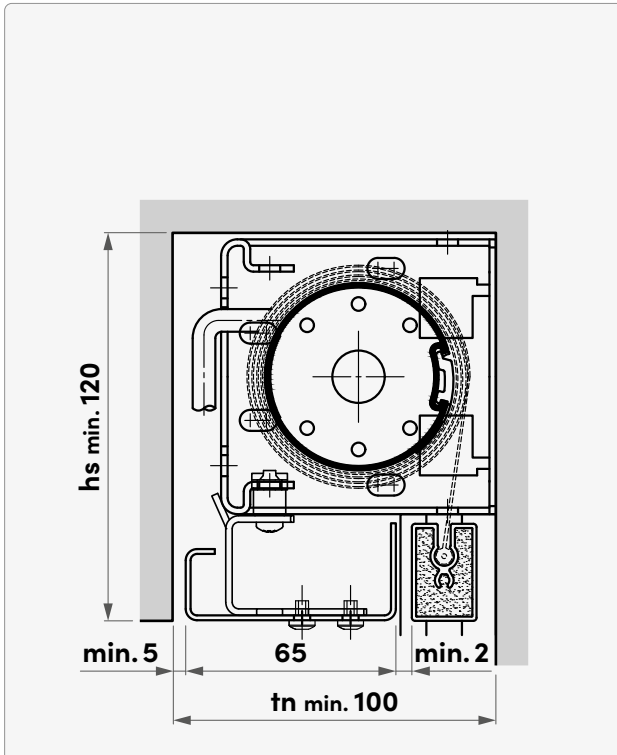
Soloscreen® IV 115 | Solar



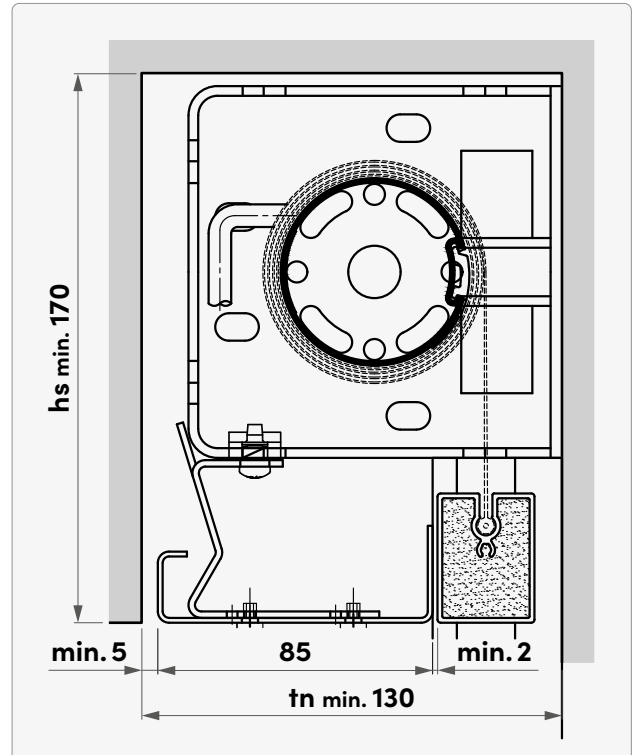
▶▶ **Box versions****Solosreen® IV 85 | Design****Solosreen® IV 115 | Design**

Soffit covers

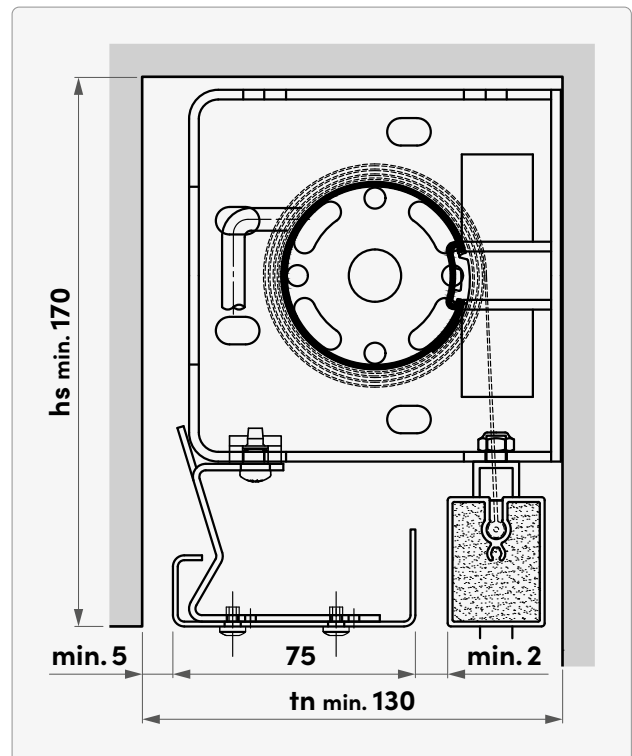
Soloscreen® IV Intro 85



Soloscreen® IV Intro 115 rail guide

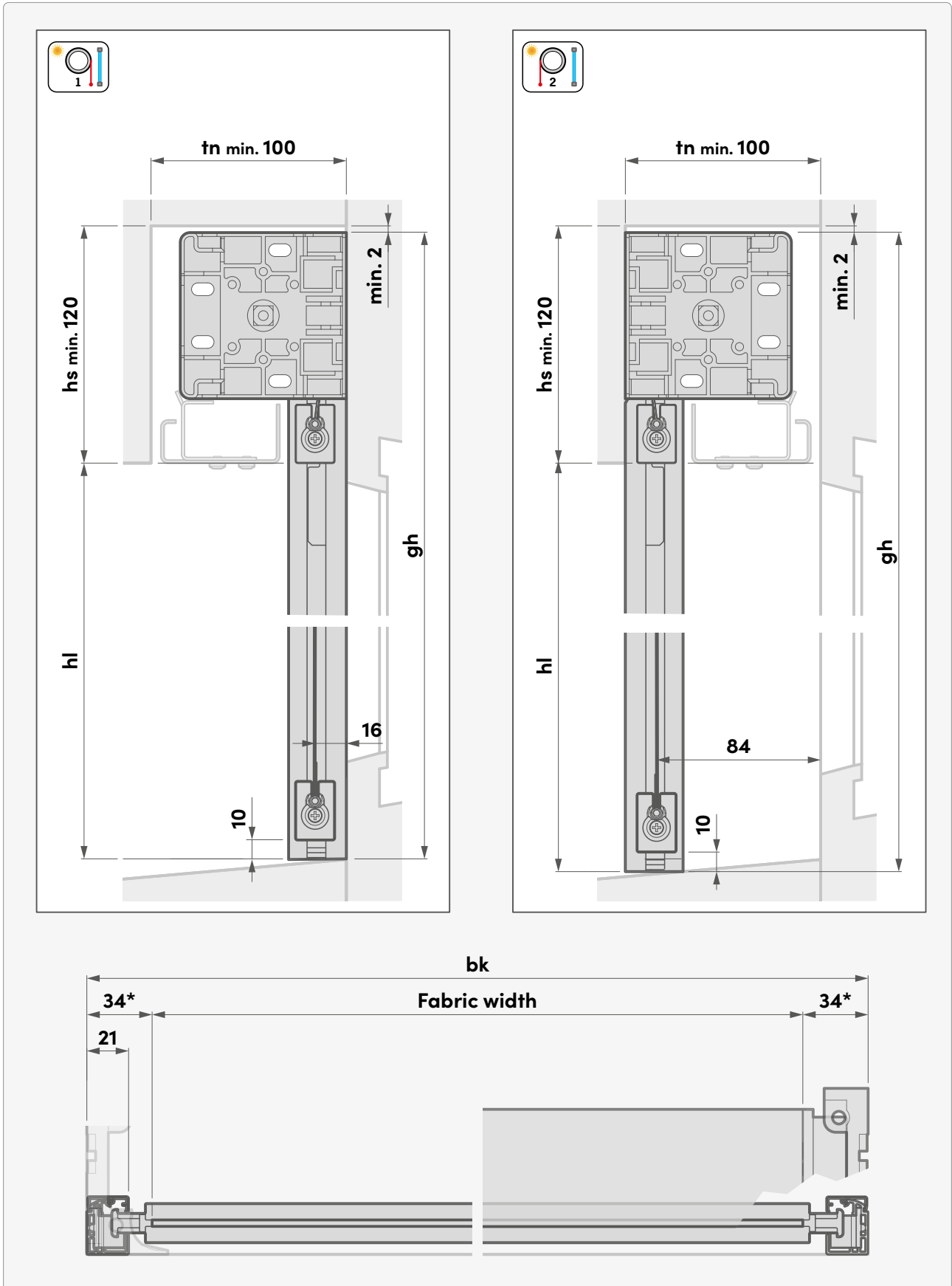


Soloscreen® IV Intro 115 cable/slat guide



Built-in system

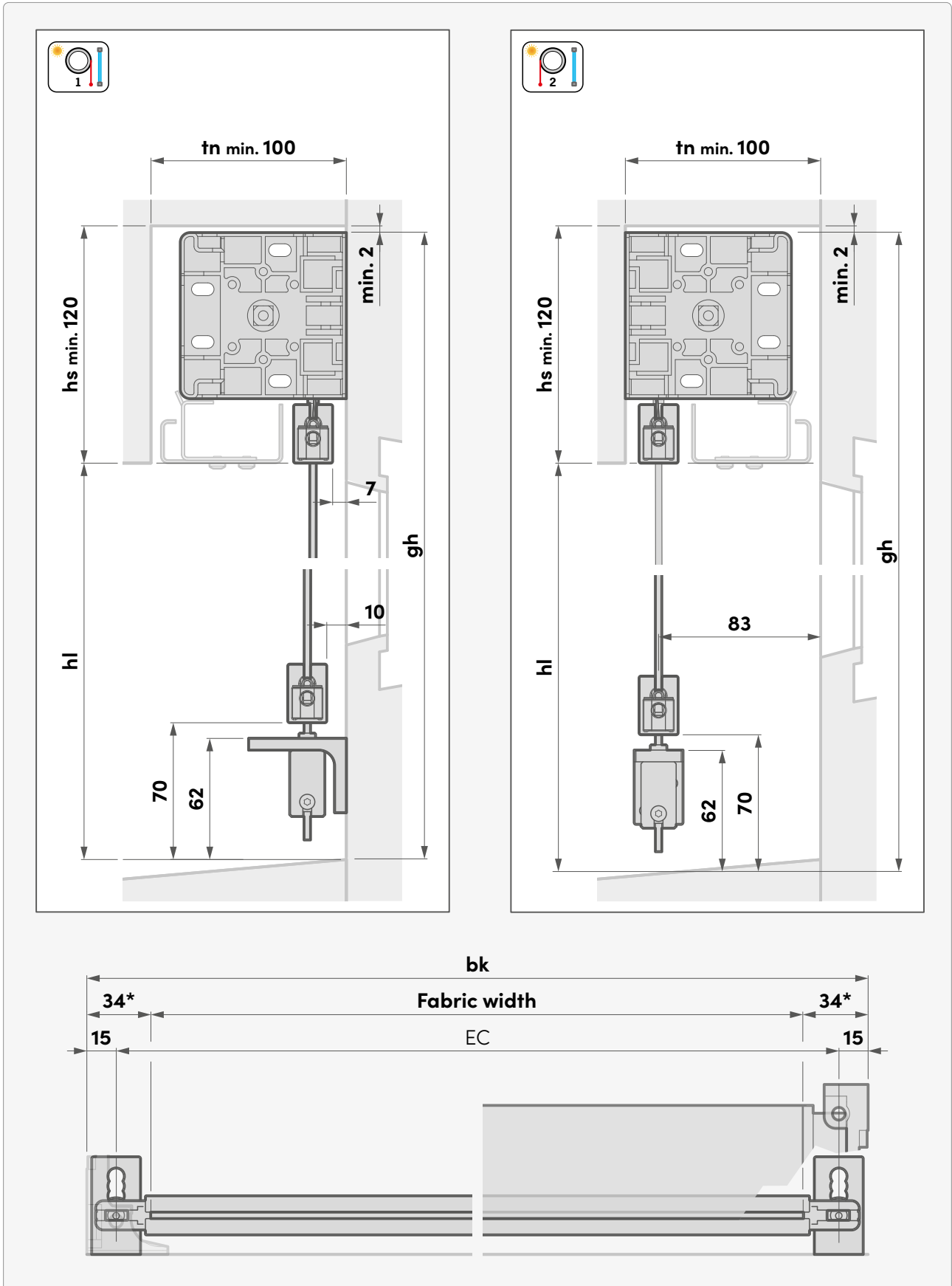
Rail guide



* Emotion: 37

►► Built-in system

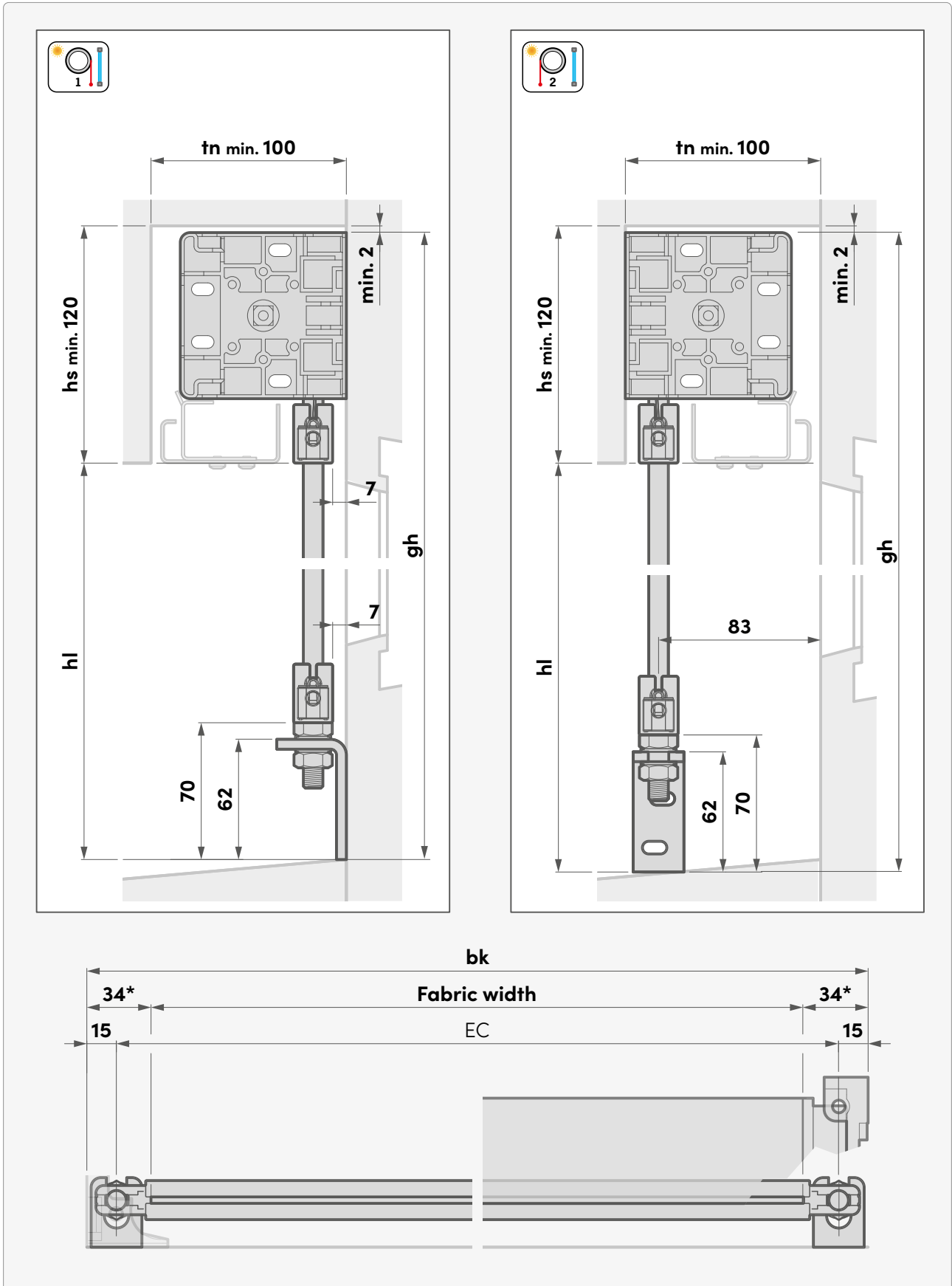
Cable guide



* Emotion: 37

►► Built-in system

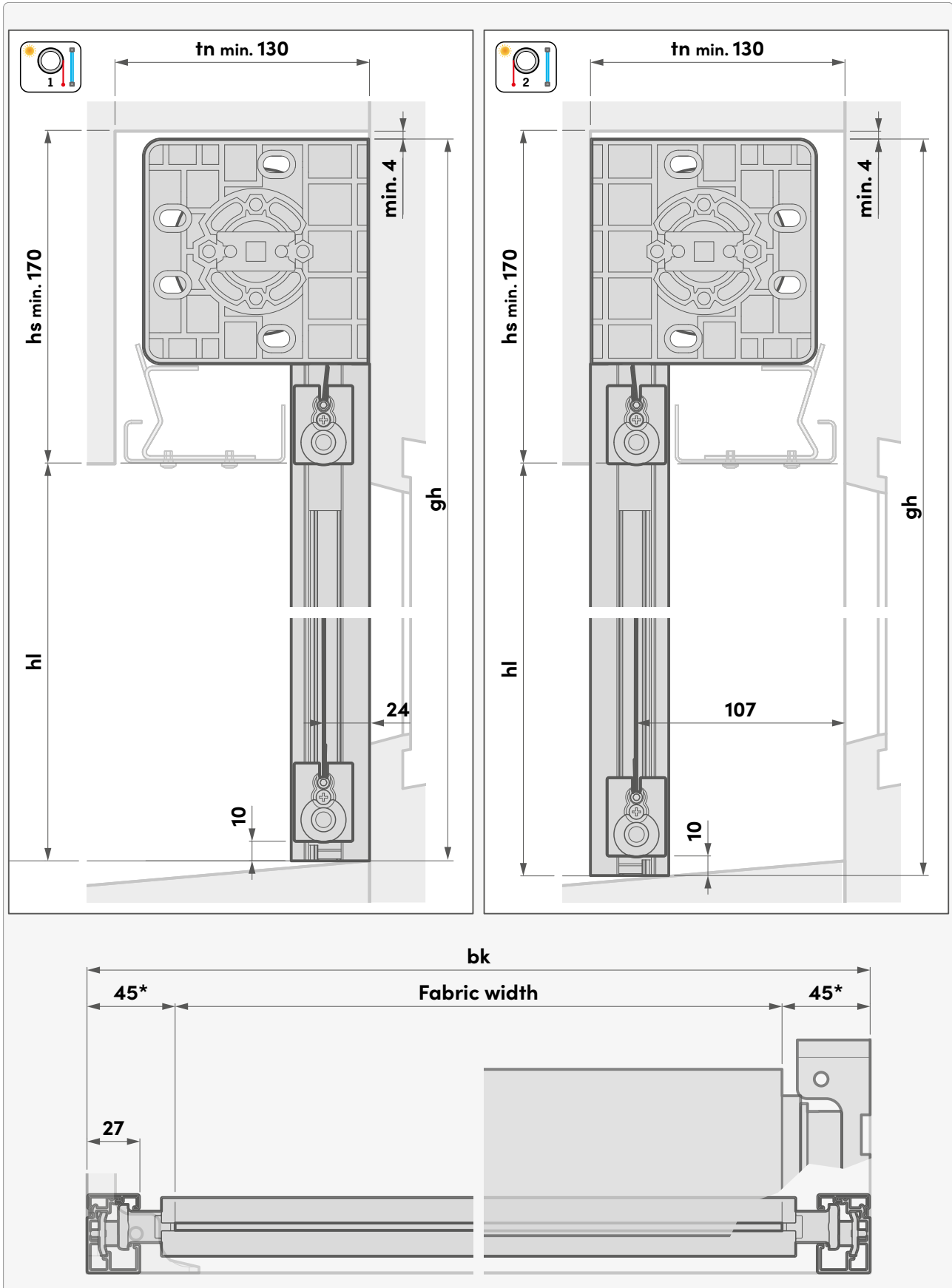
Slat guide



* Emotion: 37

►► Built-in system

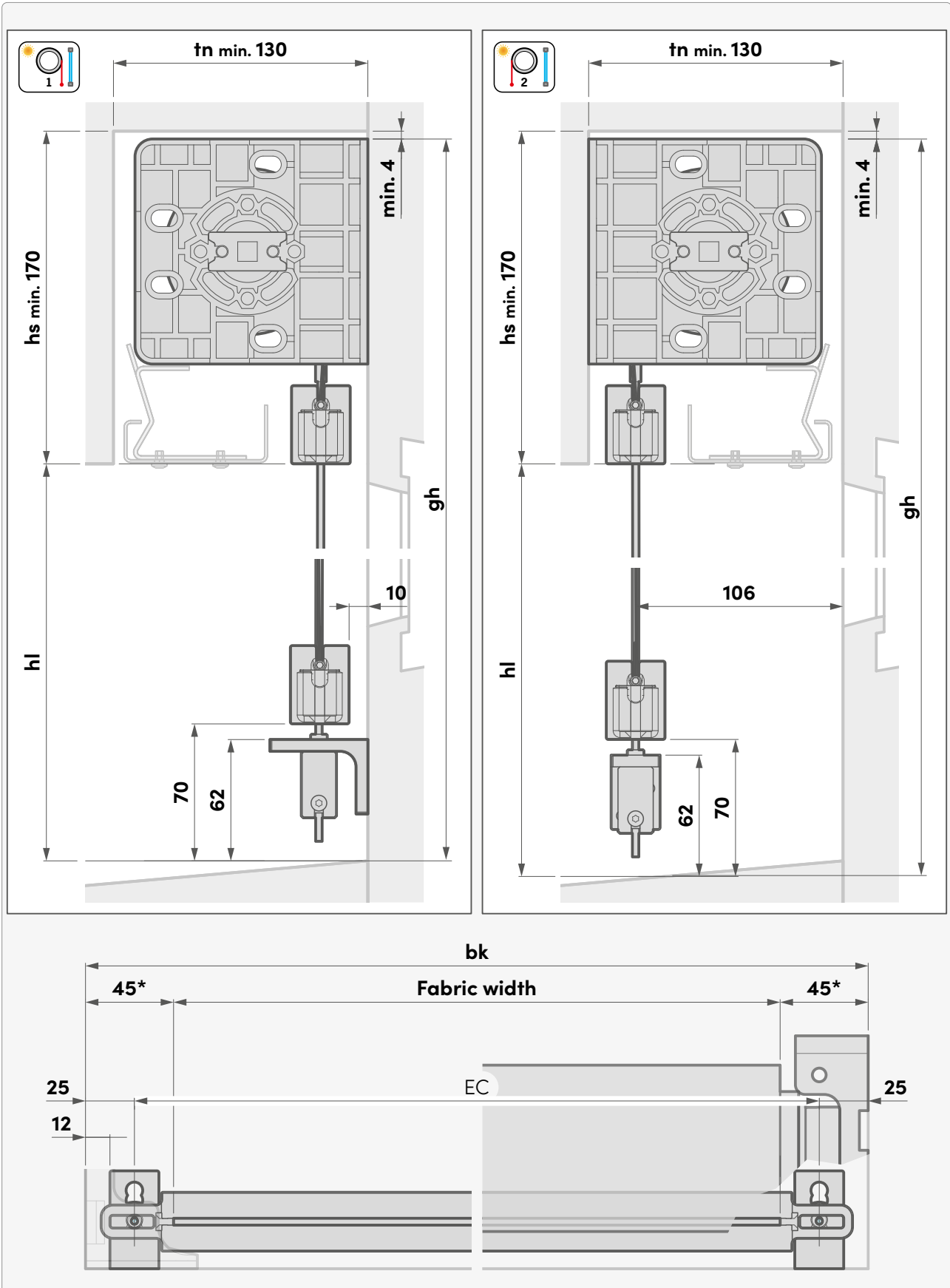
Rail guide



* Emotion: 50

►► Built-in system

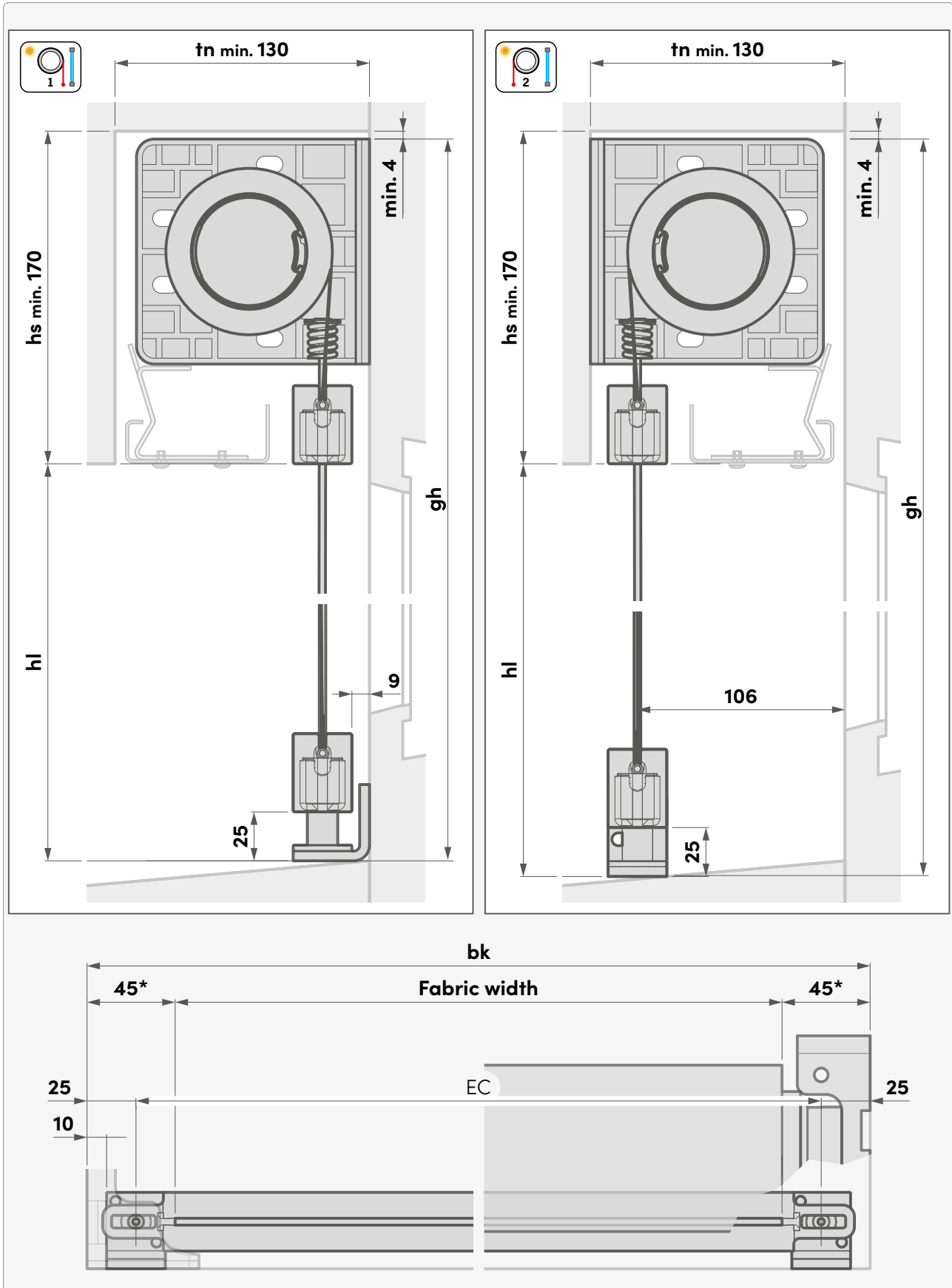
Cable guide | Tension spring at the bottom



* Emotion: 50

►► Built-in system

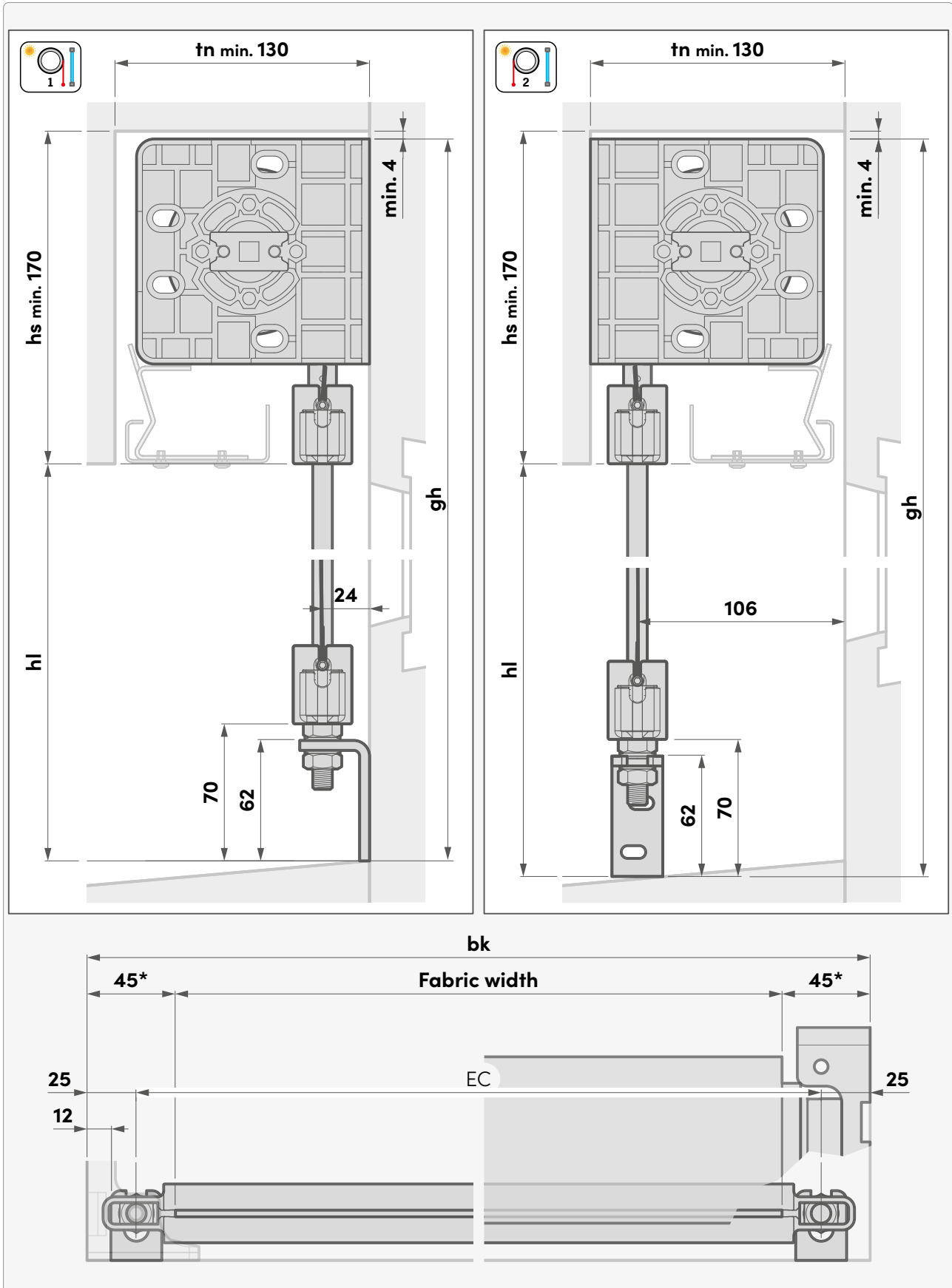
Cable guide | Tension spring at the top



* Emotion: 50

►► Built-in system

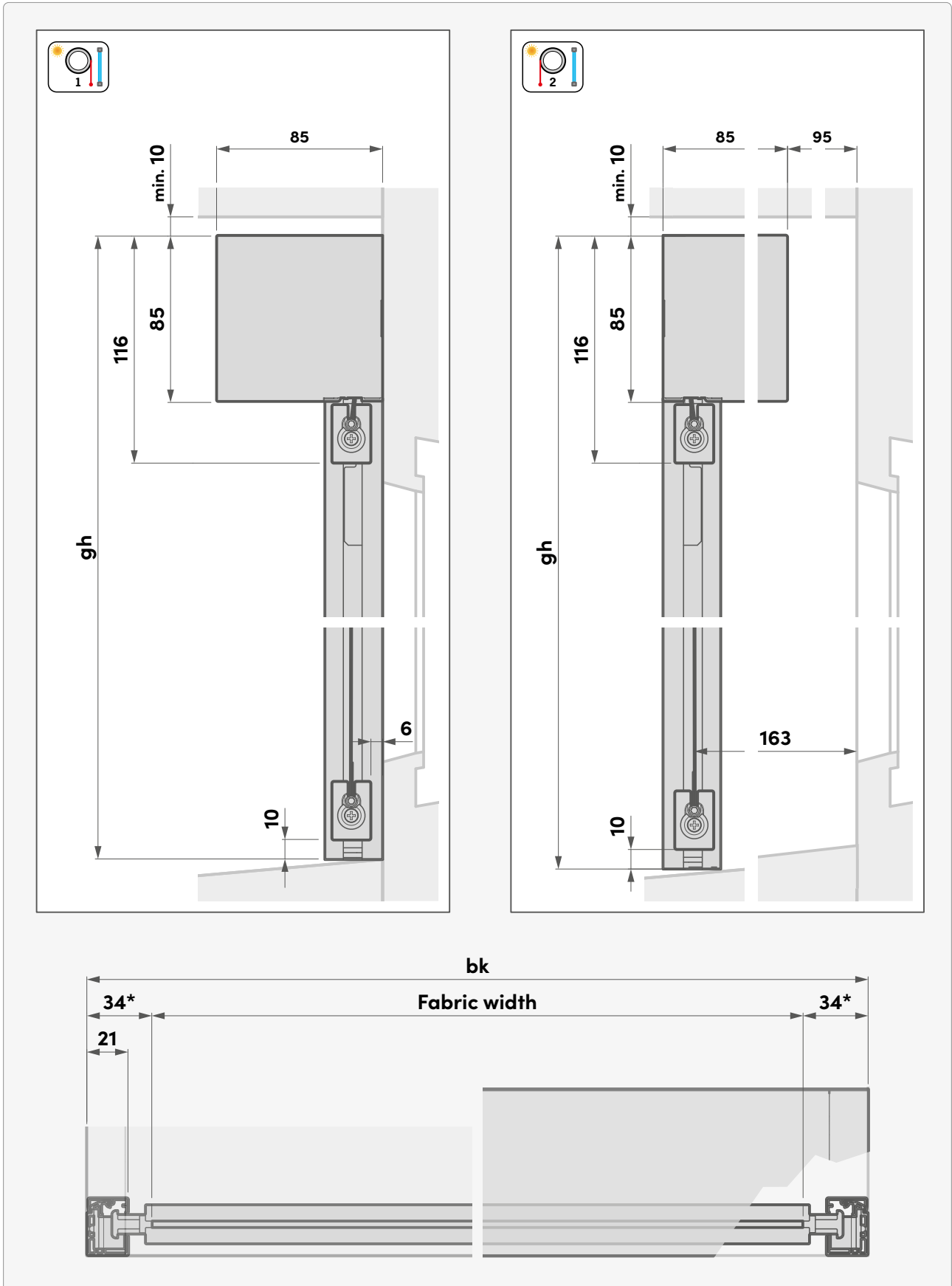
Slat guide



* Emotion: 50

Built-in system with box

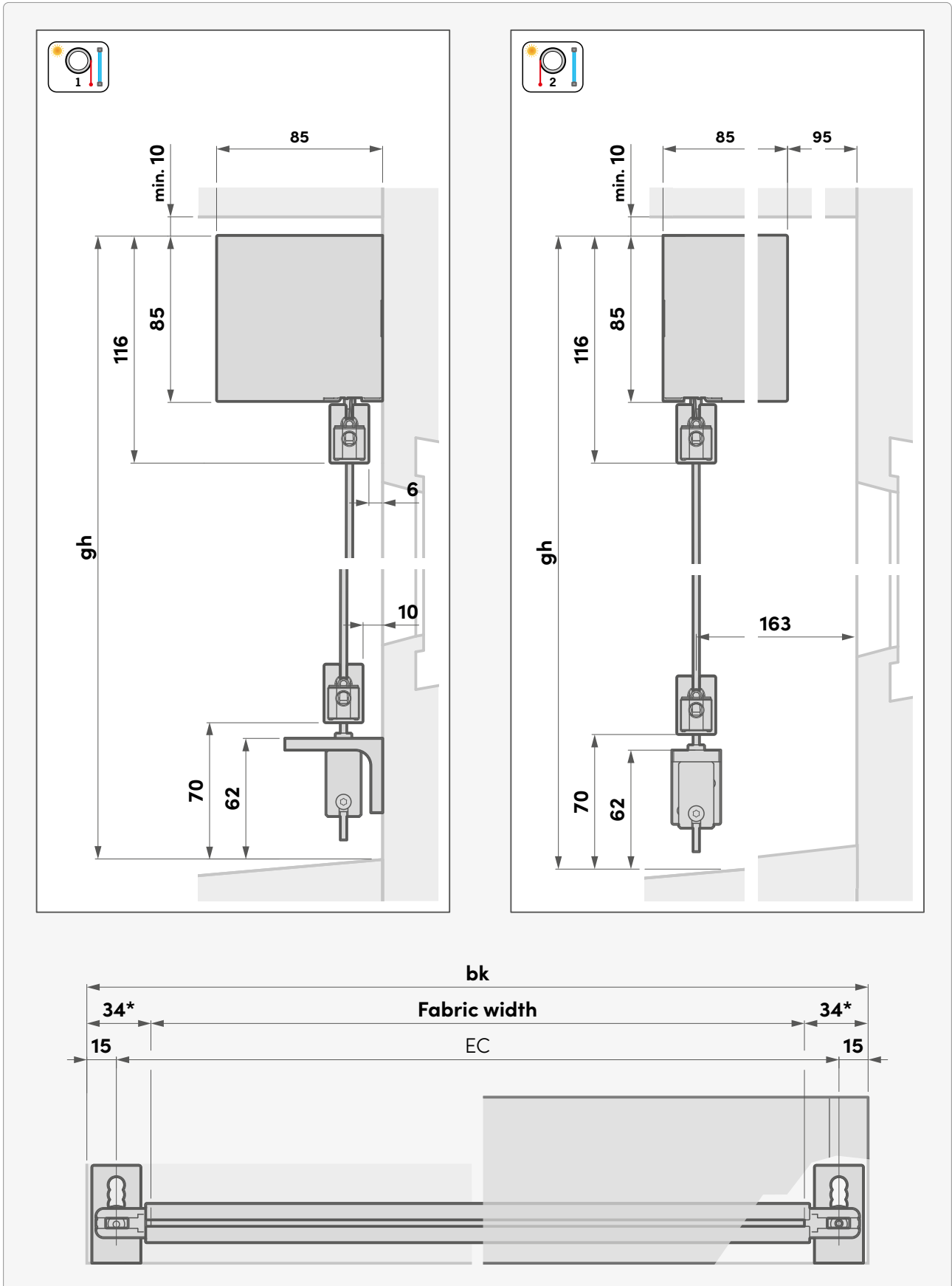
Rail guide



* Emotion: 37

►► Built-in system with box

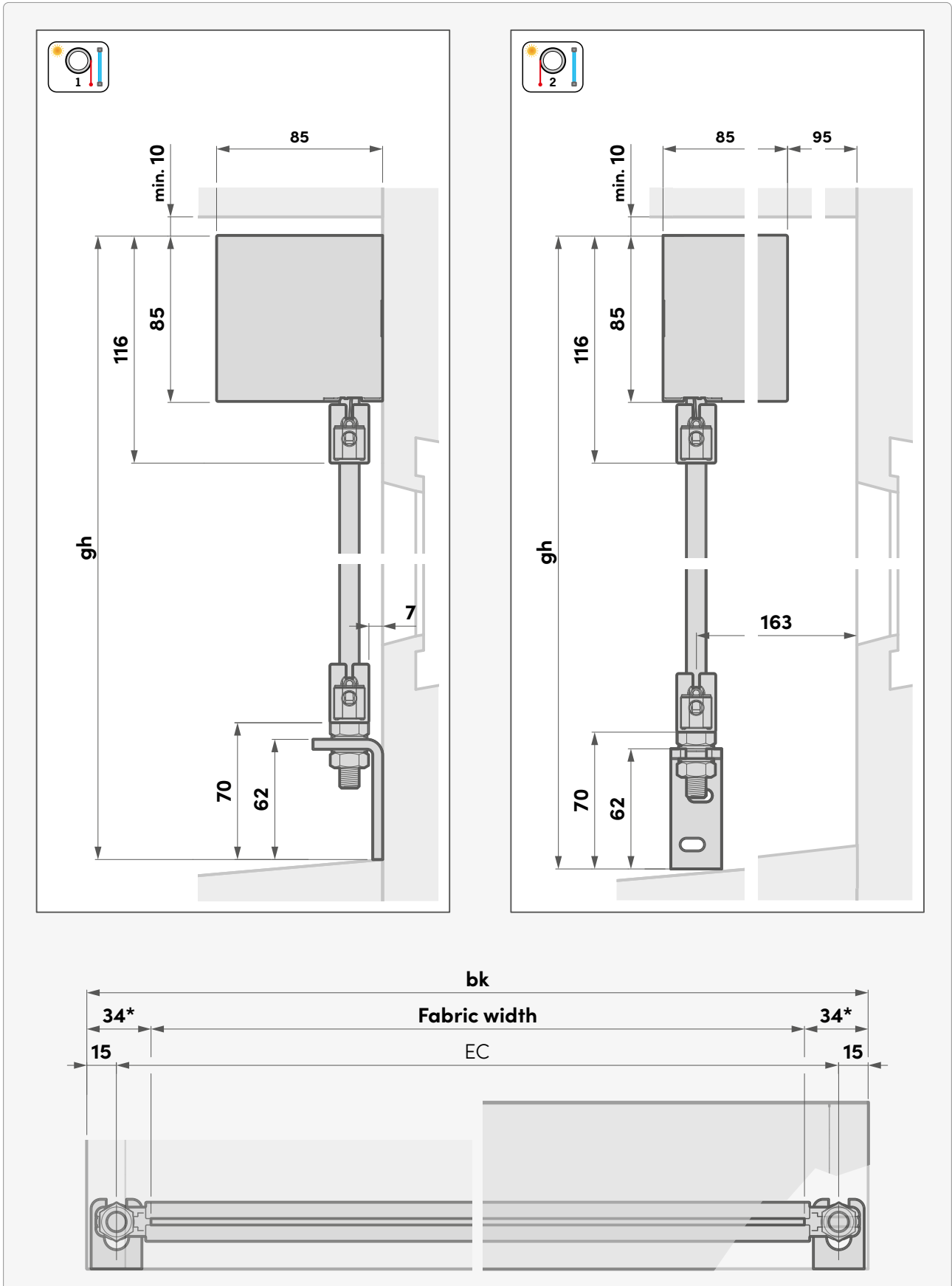
Cable guide



* Emotion: 37

►► Built-in system with box

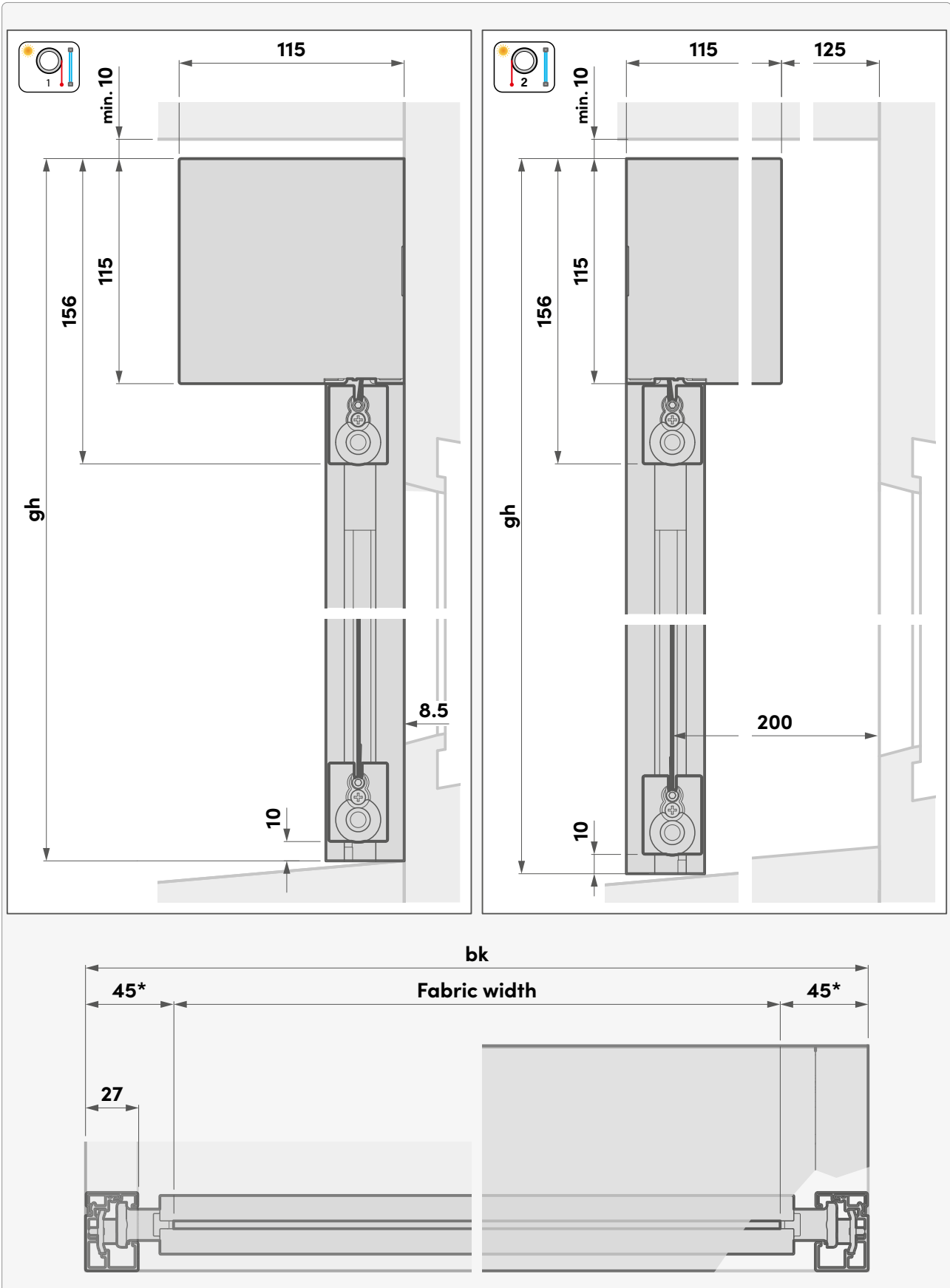
Slat guide



* Emotion: 37

►► Built-in system with box

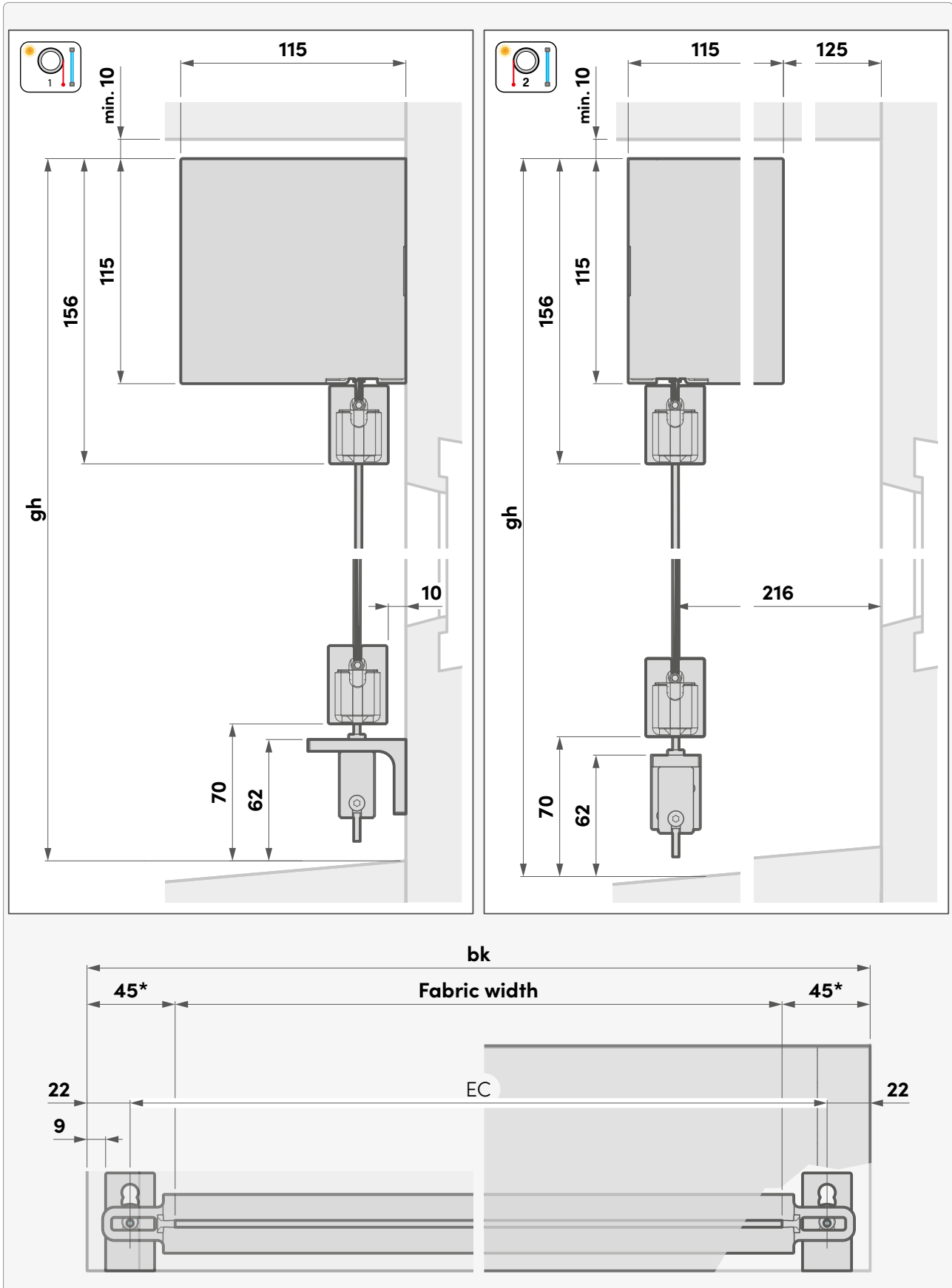
Rail guide



* Emotion: 50

►► Built-in system with box

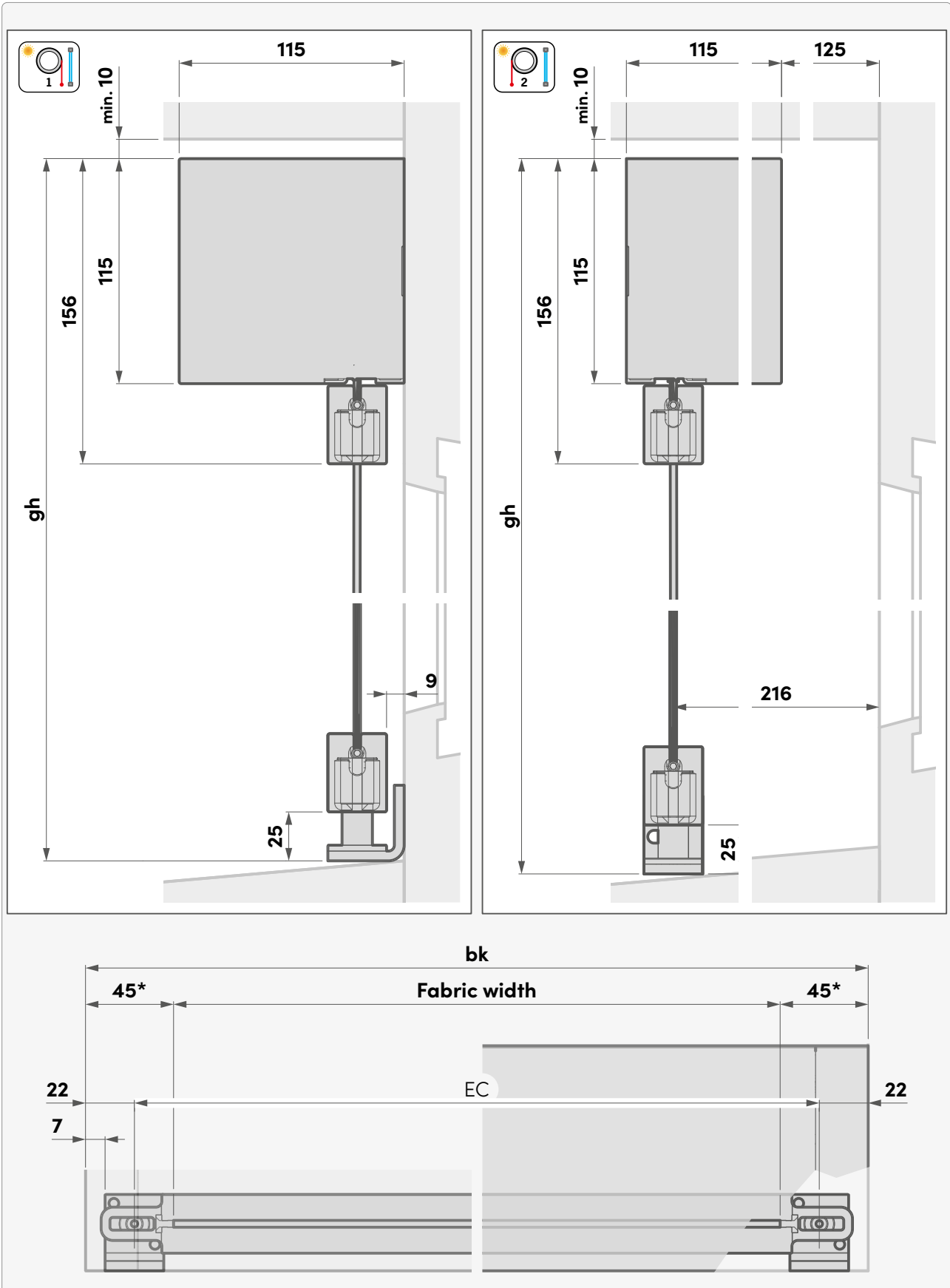
Cable guide | Tension spring at the bottom



* Emotion: 50

►► Built-in system with box

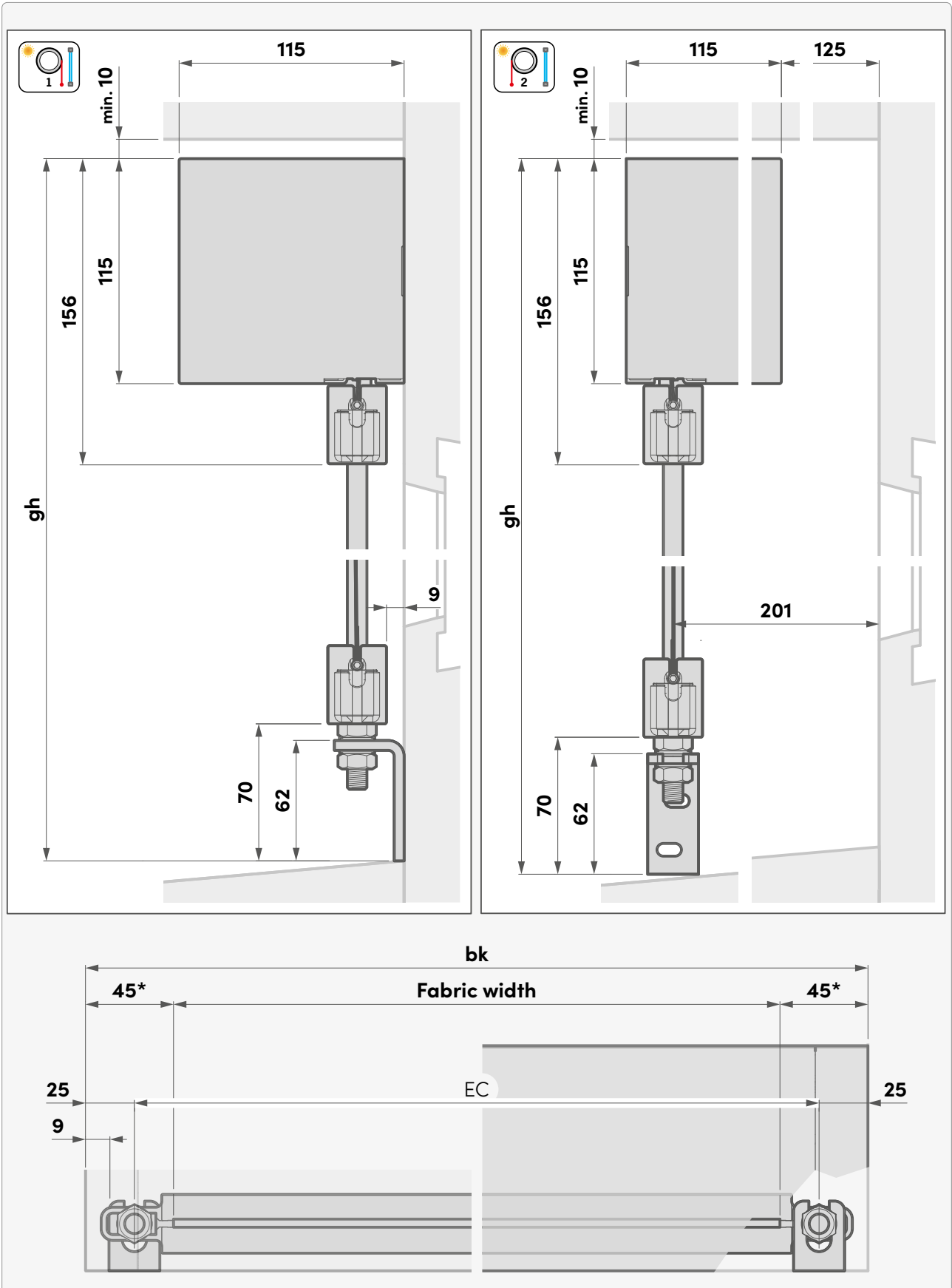
Cable guide || Tension spring at the top



* Emotion: 50

►► Built-in system with box

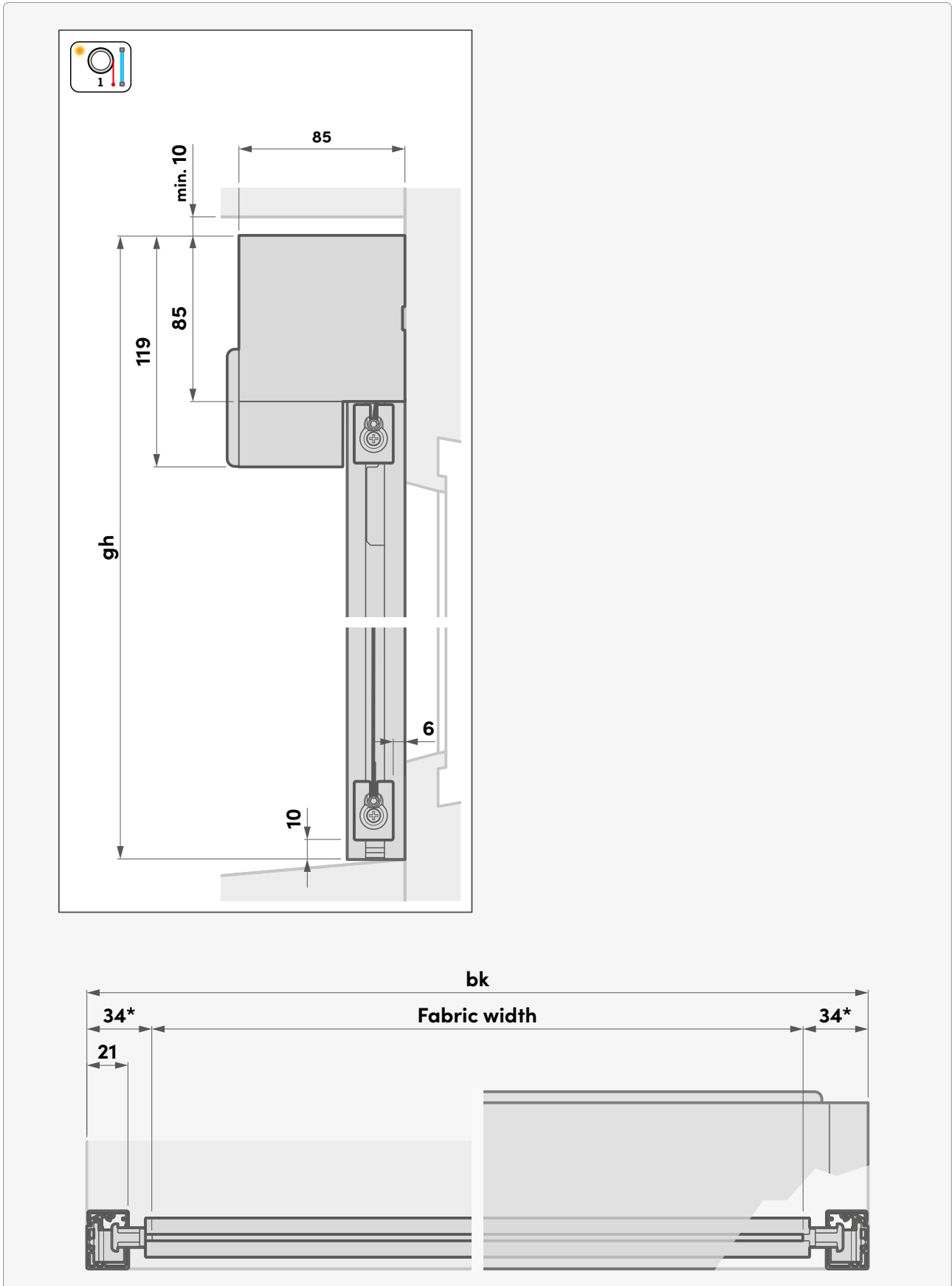
Slat guide



* Emotion: 50

►► Built-in system with box

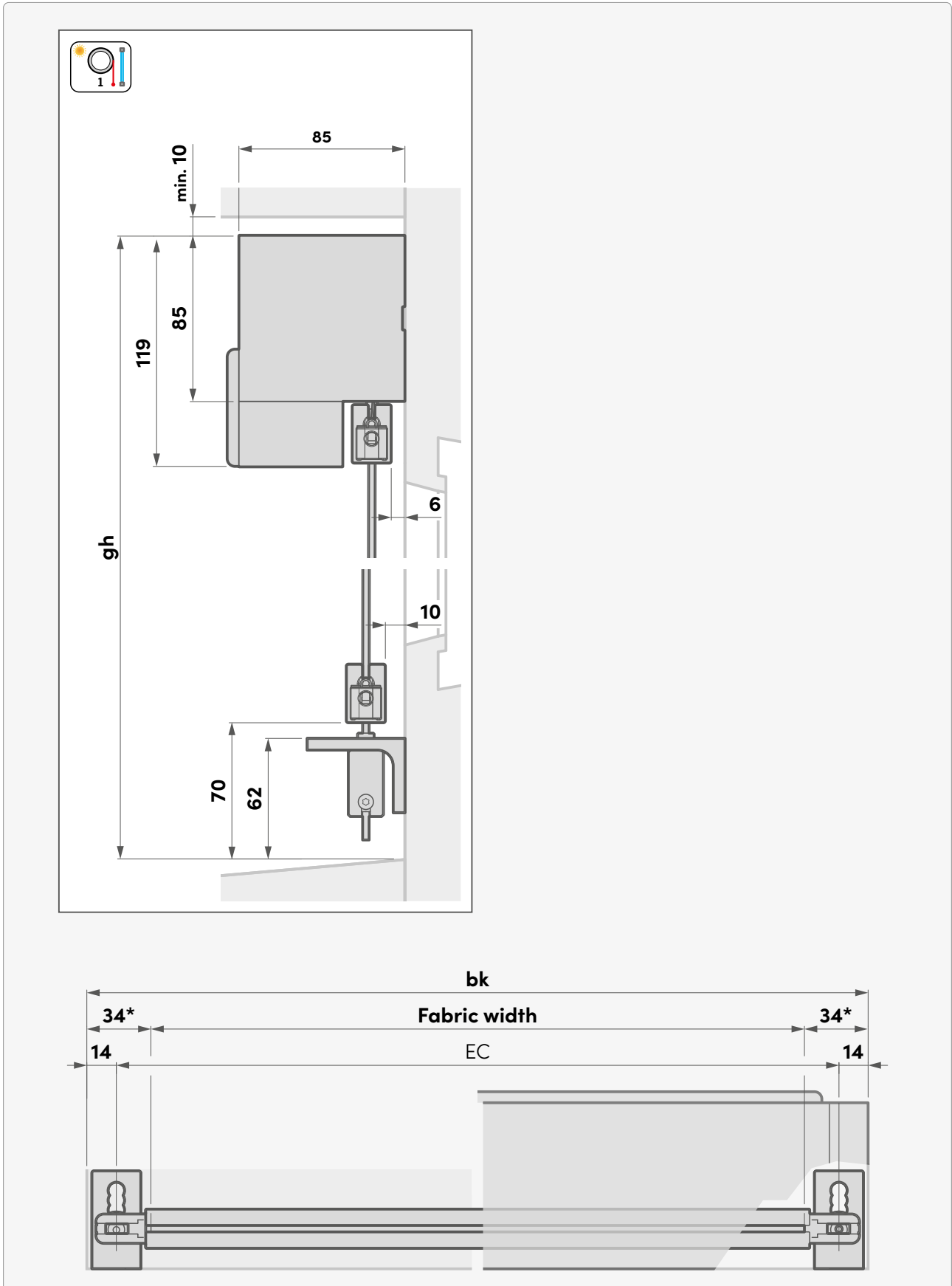
Rail guide



* Emotion: 50

►► Built-in system with box

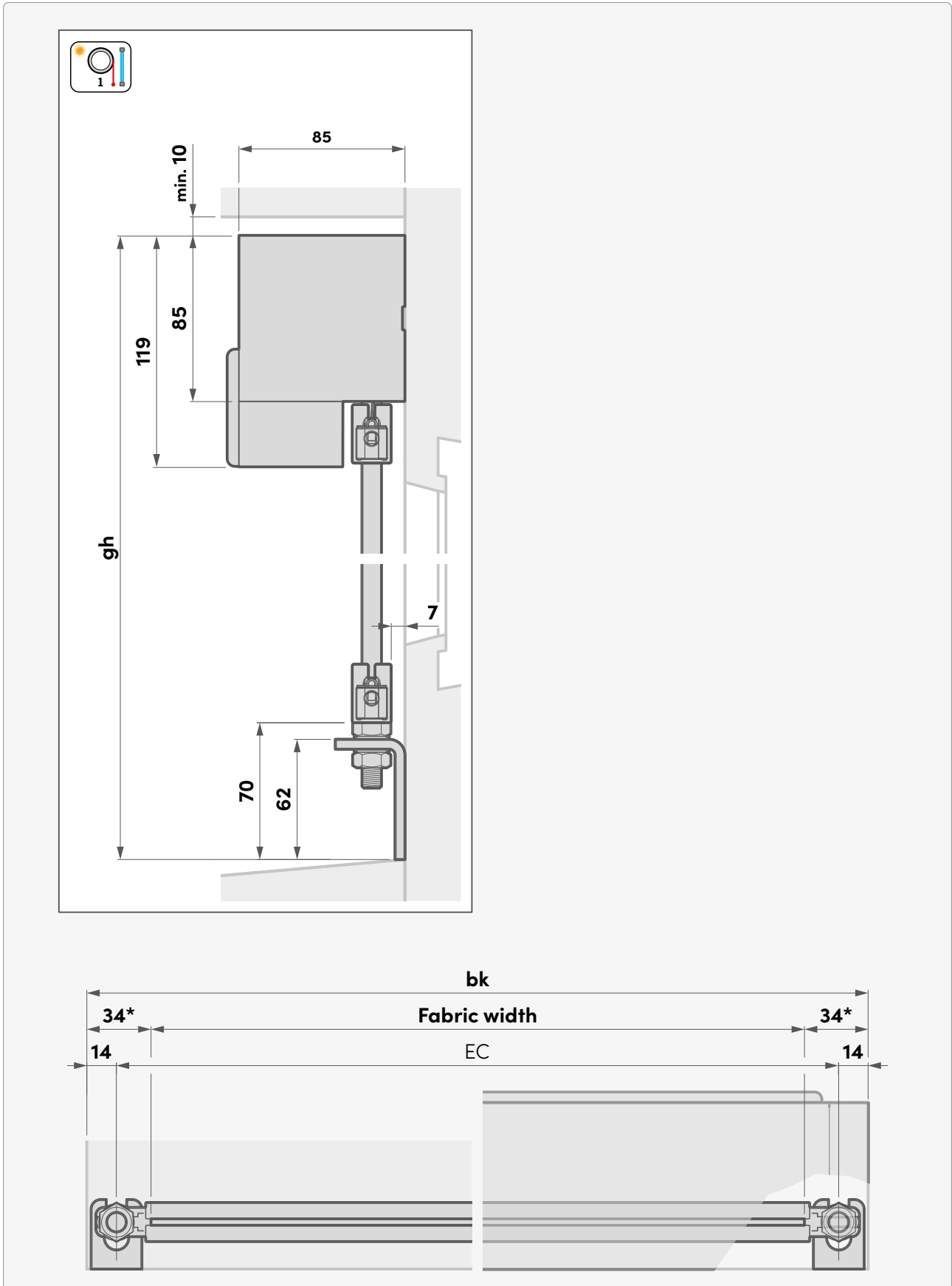
Cable guide | Tension spring at the bottom



* Emotion: 50

►► Built-in system with box

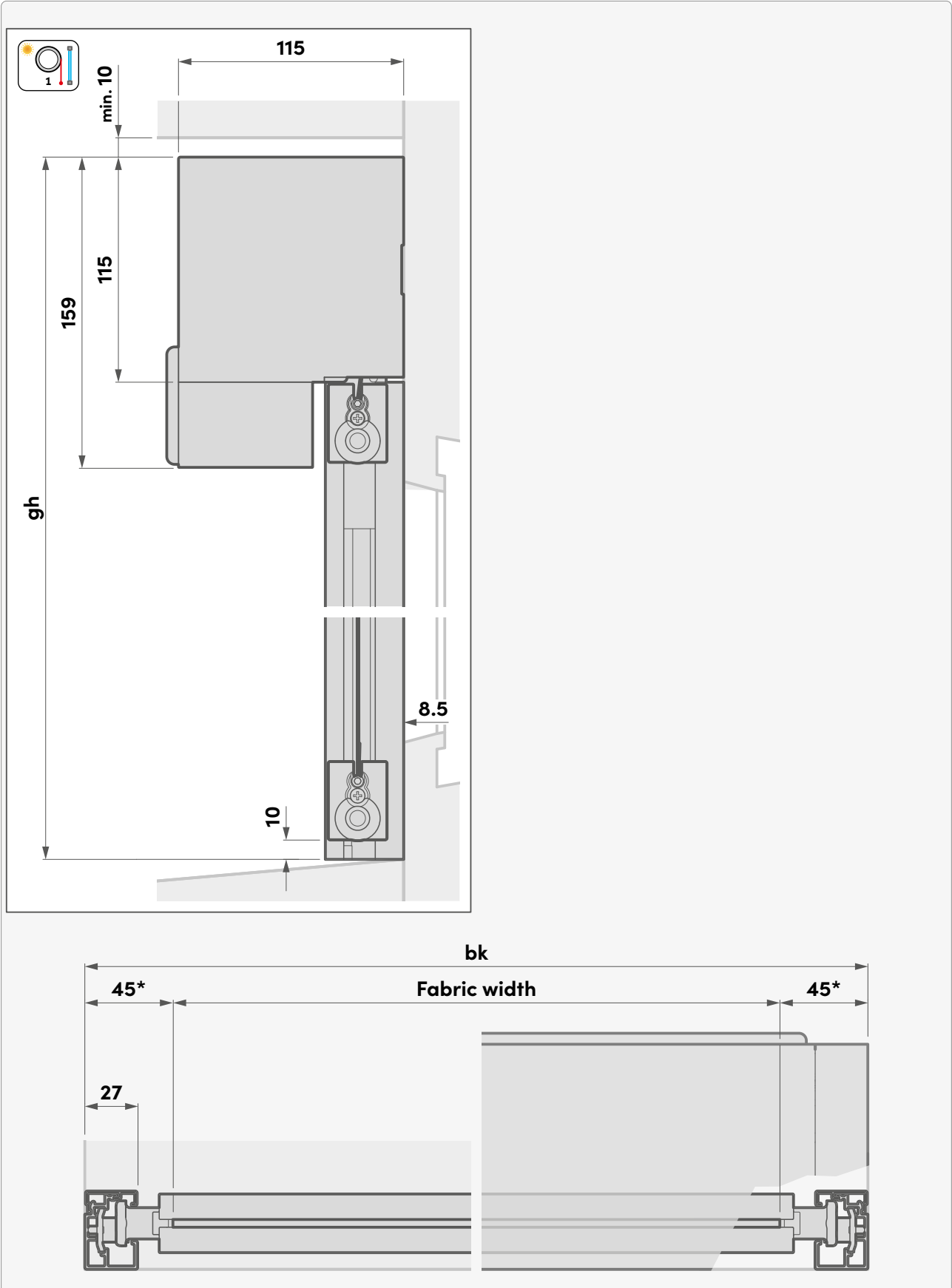
Slat guide



* Emotion: 50

►► Built-in system with box

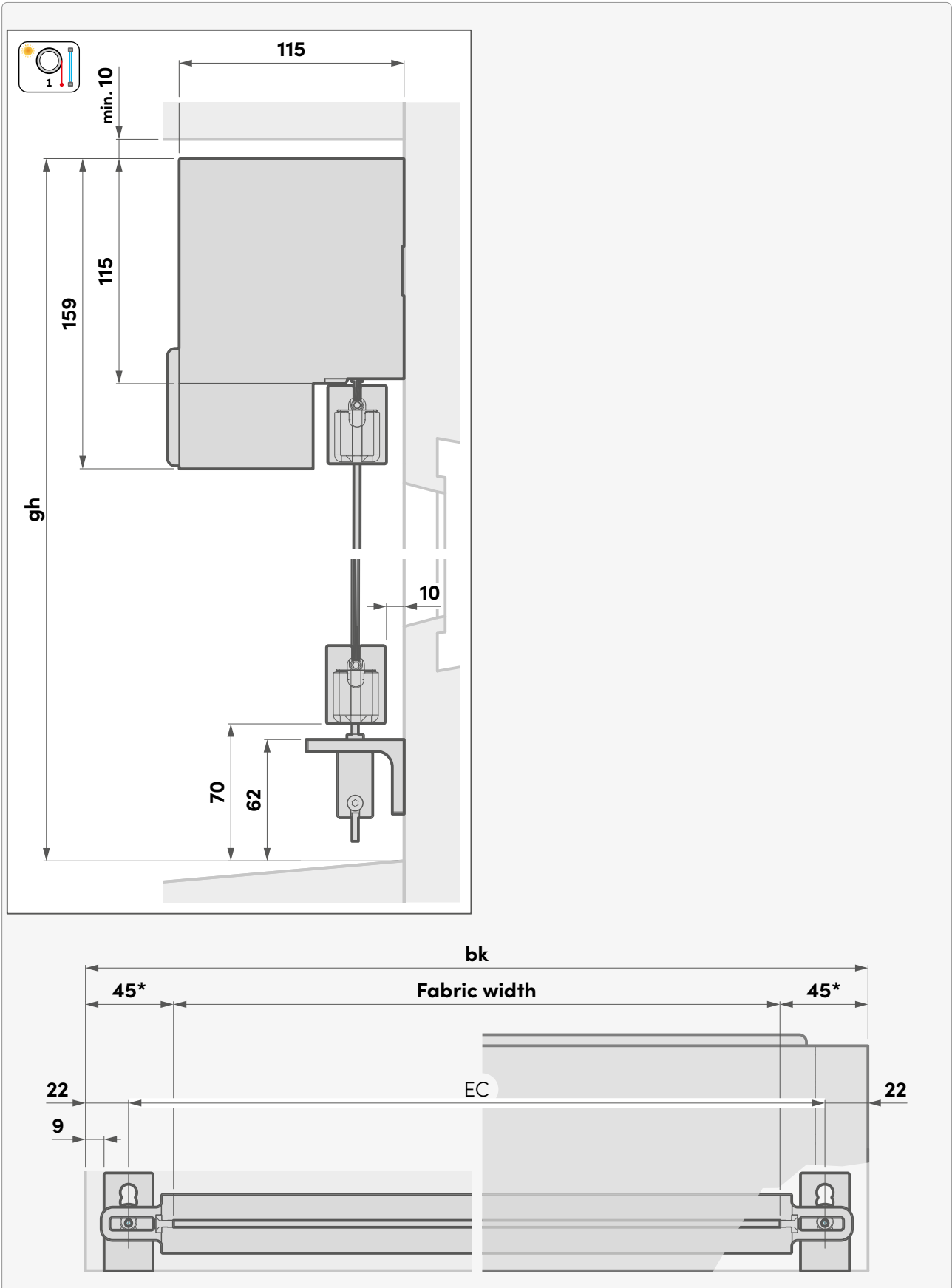
Rail guide



* Emotion: 50

►► Built-in system with box

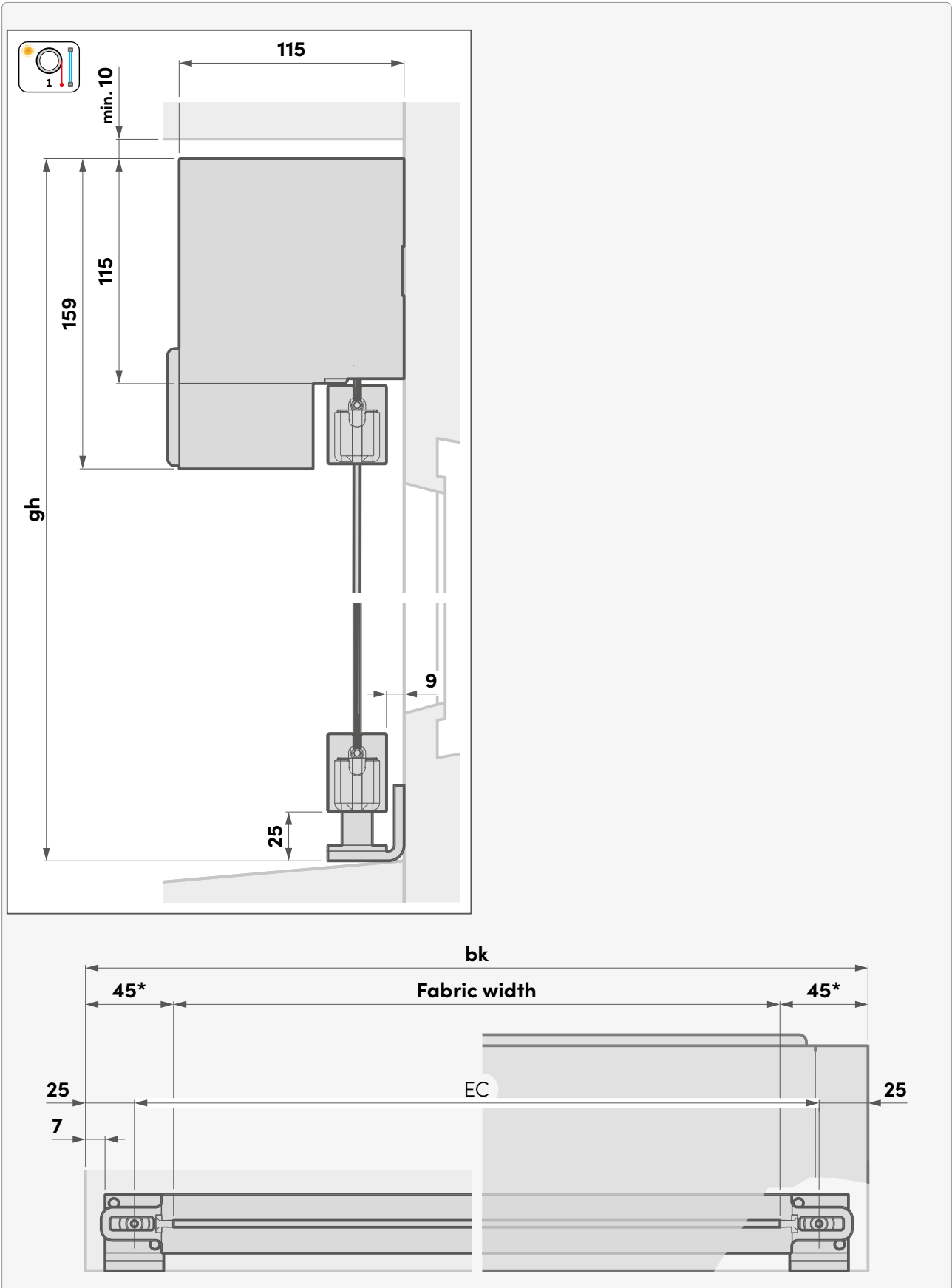
Cable guide | Tension spring at the bottom



* Emotion: 50

►► Built-in system with box

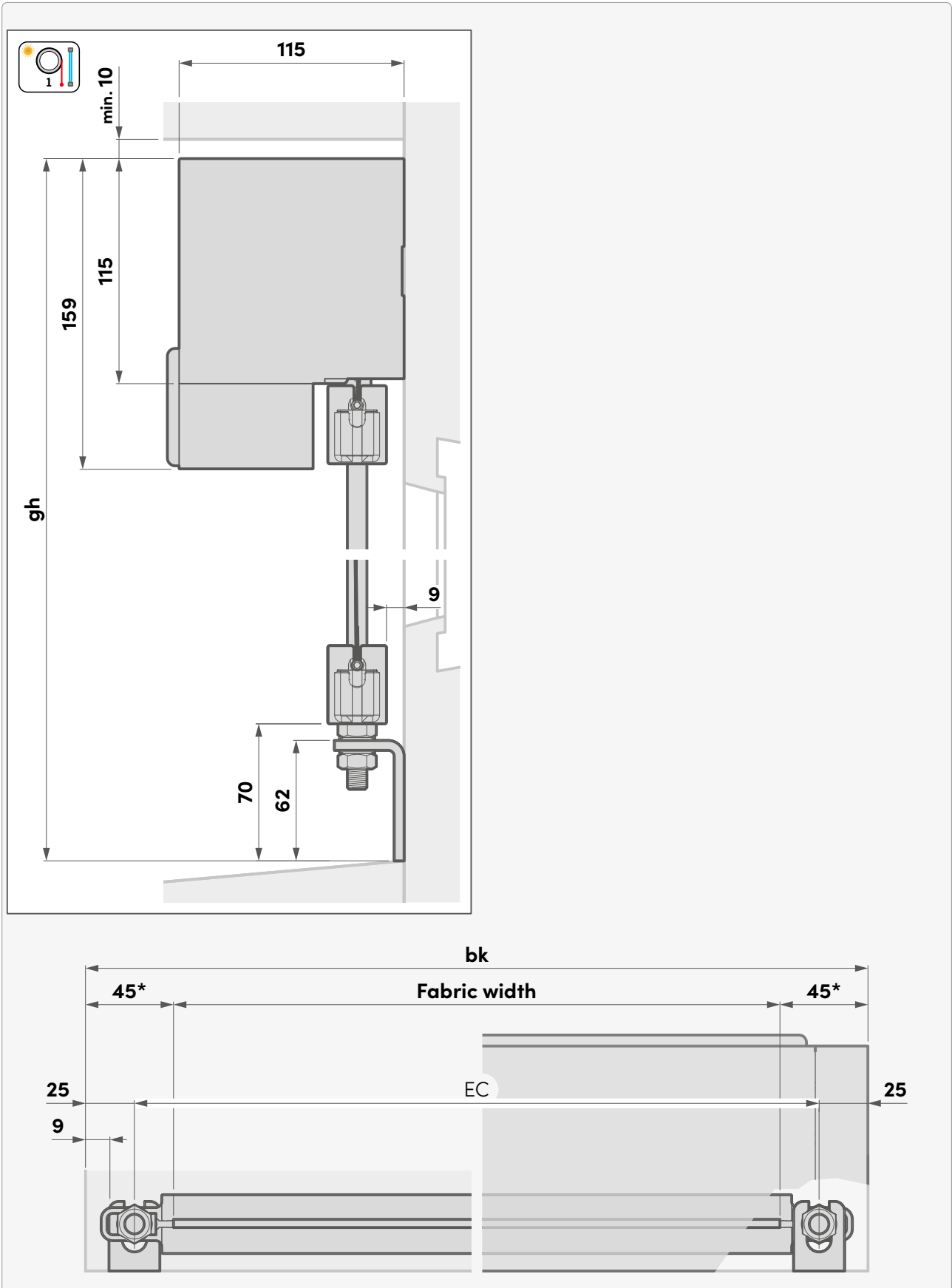
Cable guide || Tension spring at the top



* Emotion: 50

►► Built-in system with box

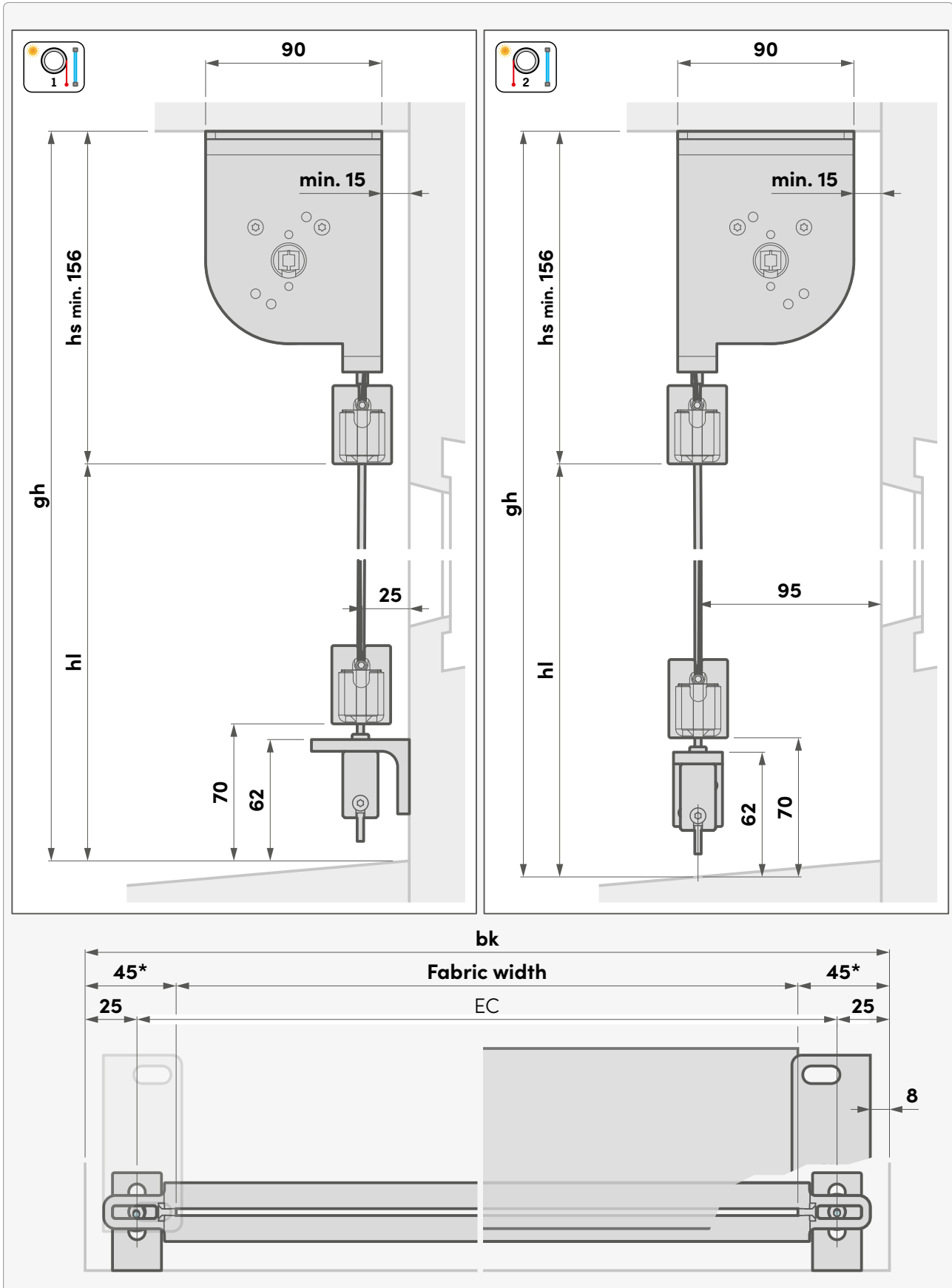
Slat guide



* Emotion: 50

Built-in system under lintel

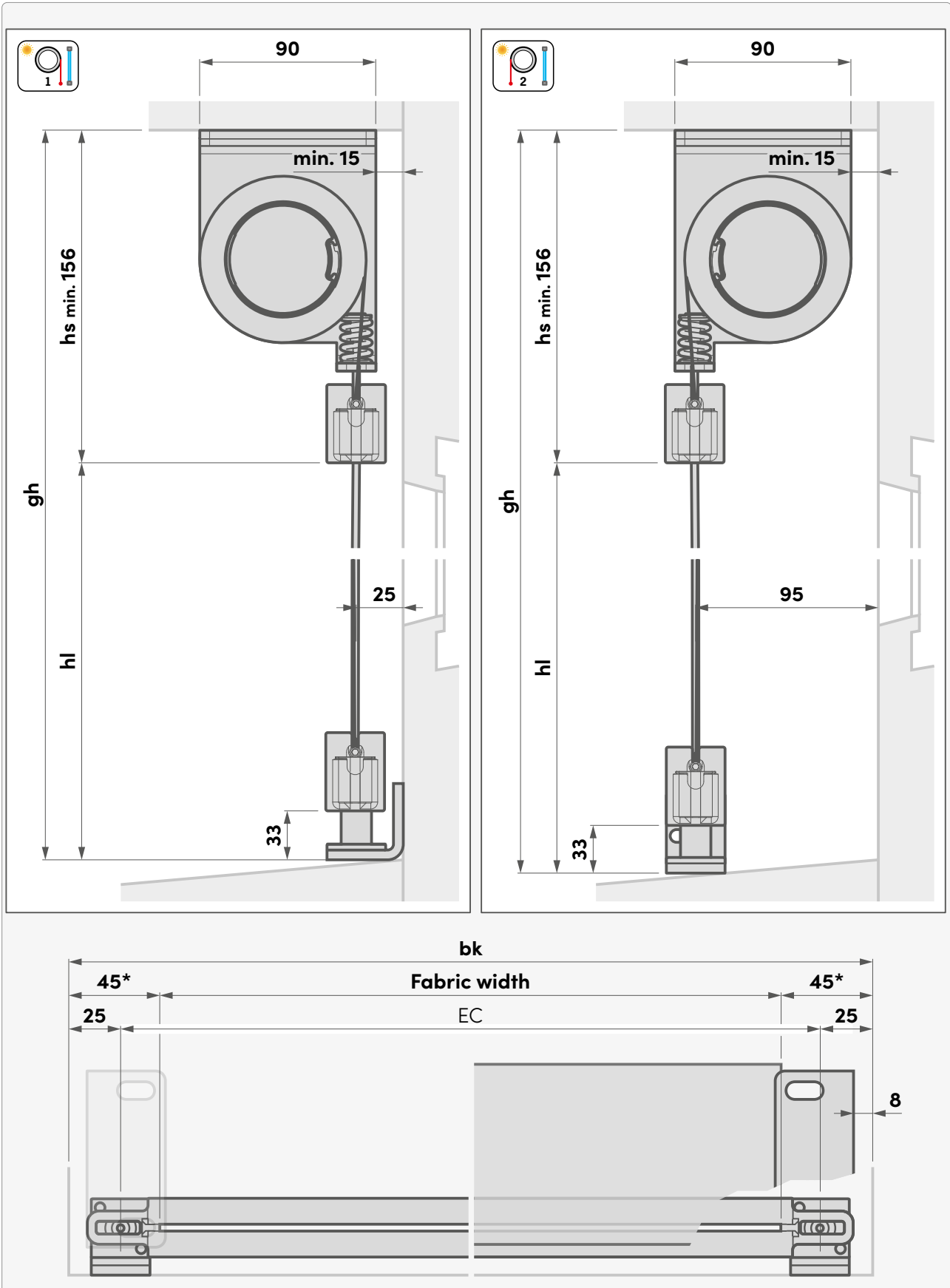
Cable guide | Tension spring at the bottom



* Emotion: 50

►► Built-in system under lintel

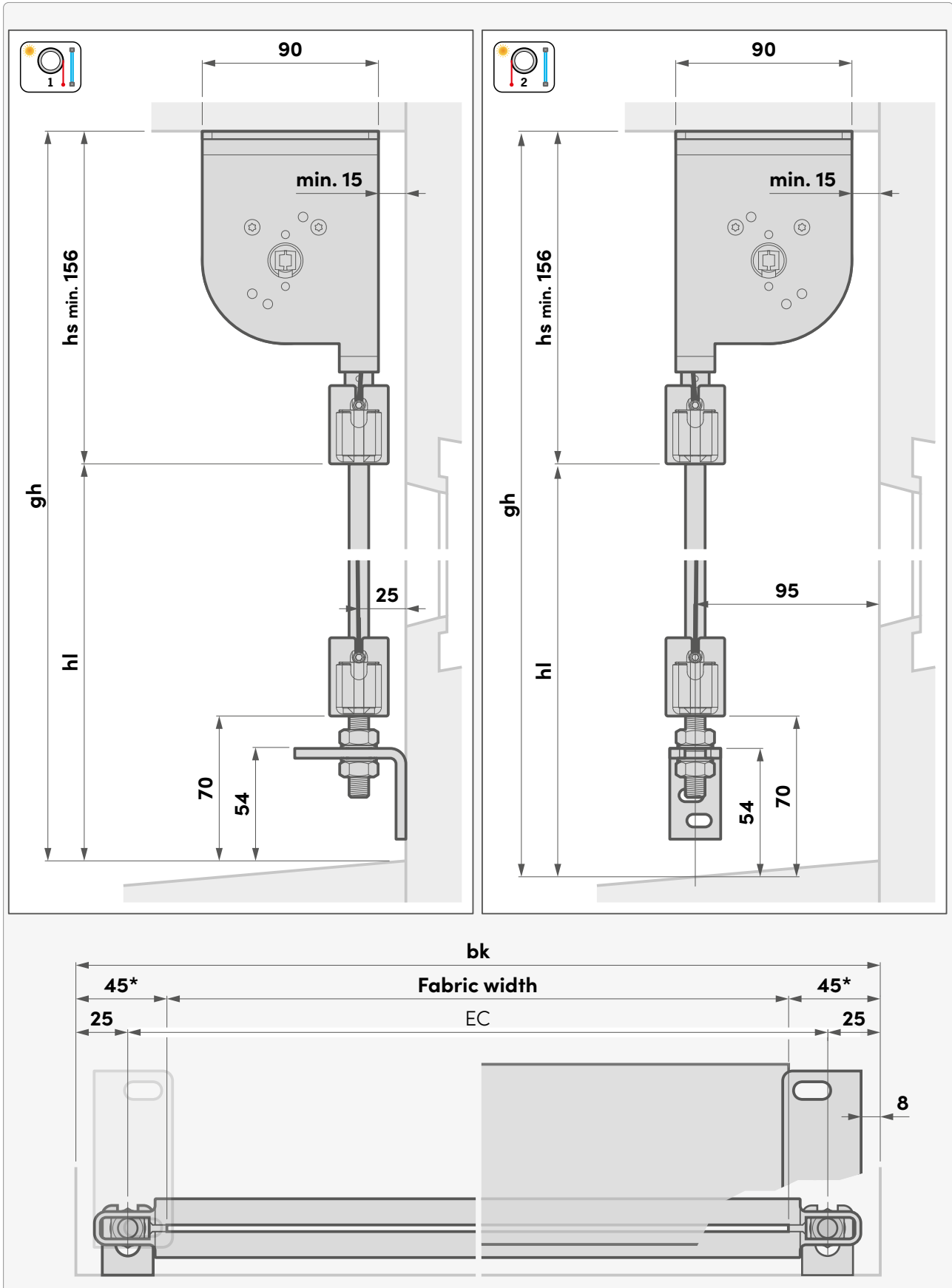
Cable guide | Tension spring at the top



* Emotion: 50

►► Built-in system under lintel

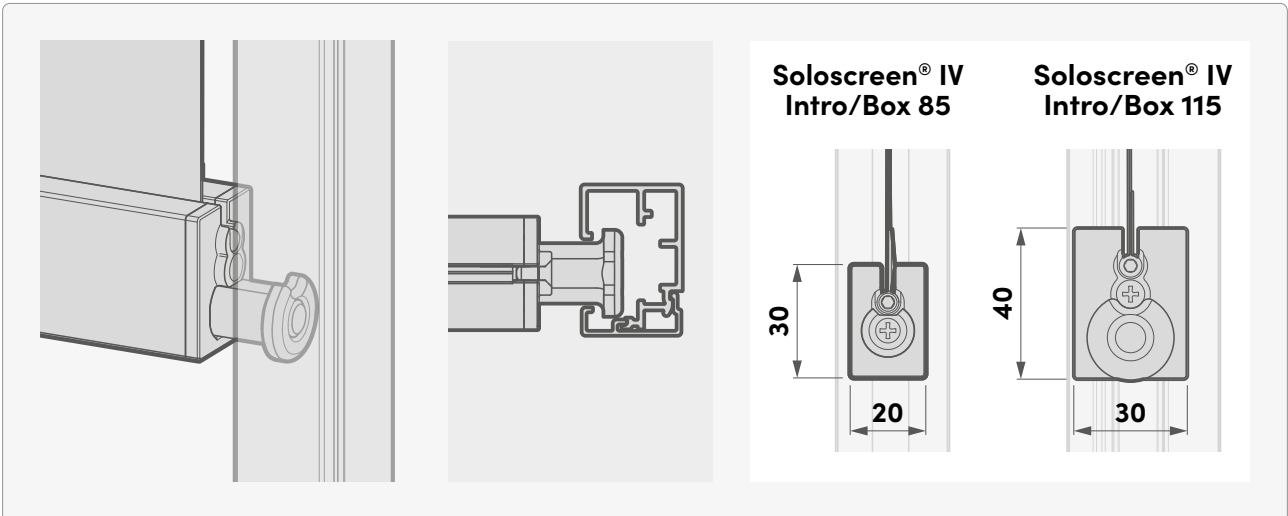
Slat guide



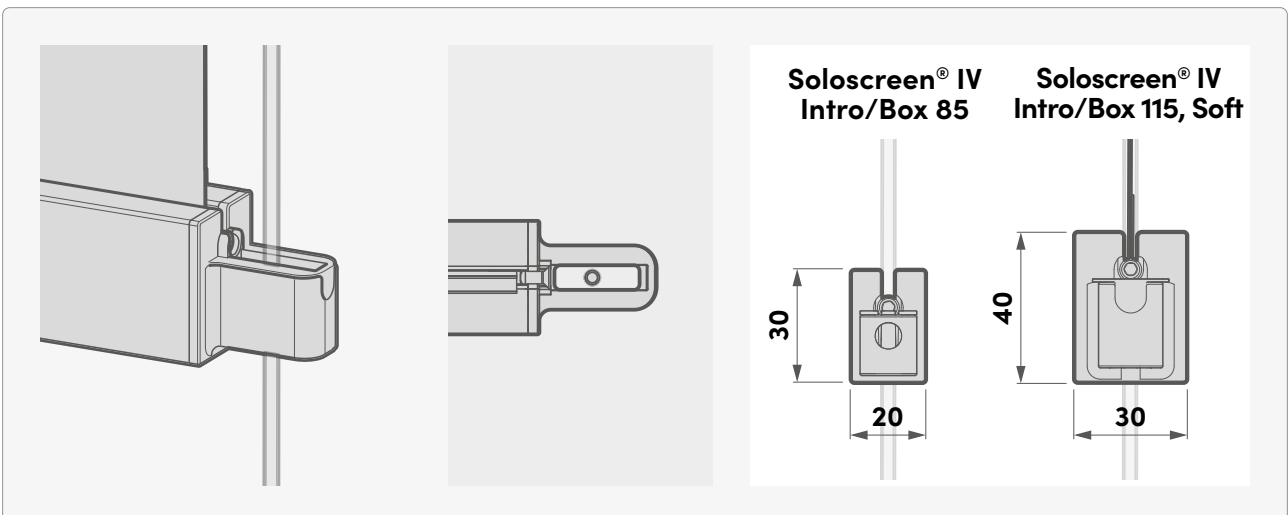
* Emotion: 50

Drop bars

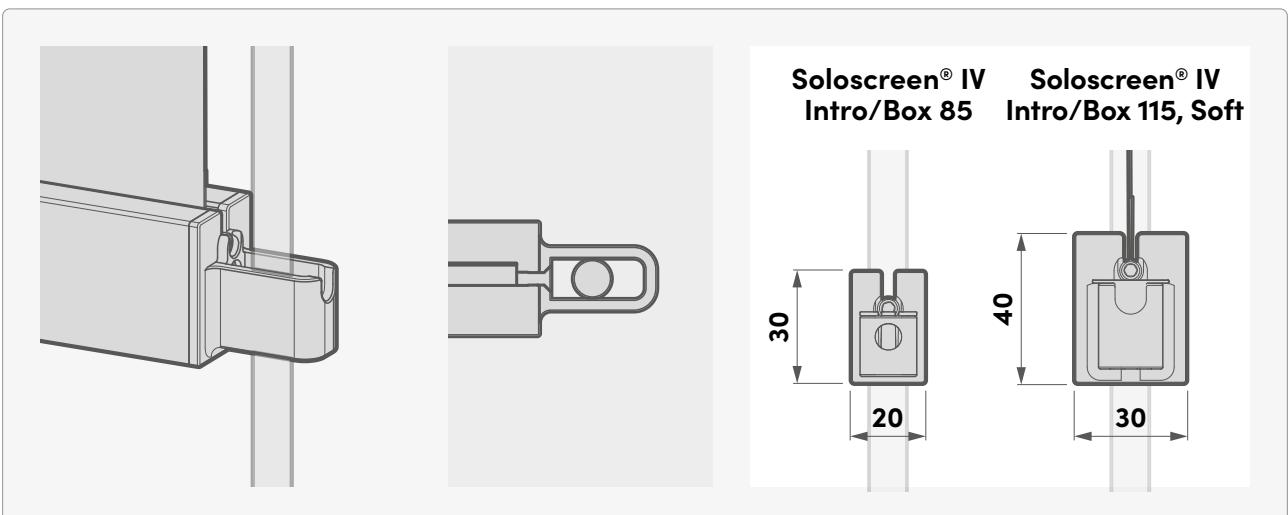
Rail guide



Cable guide



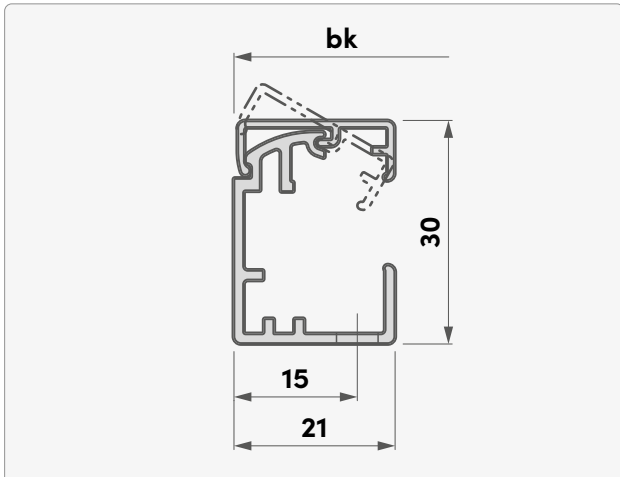
Slat guide



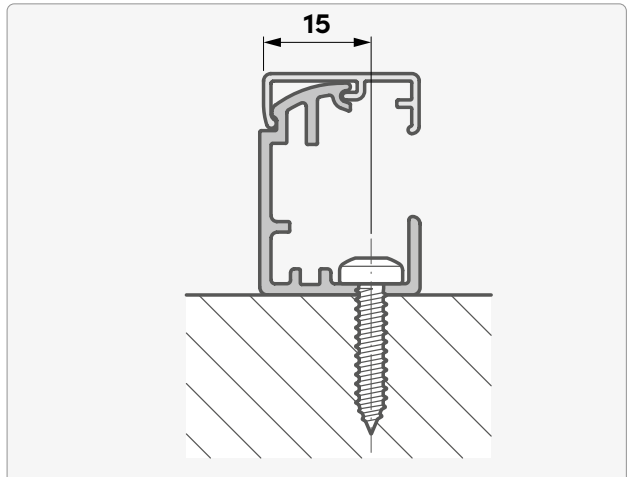
Guide rails

Soloscreen® IV Intro/Box 85

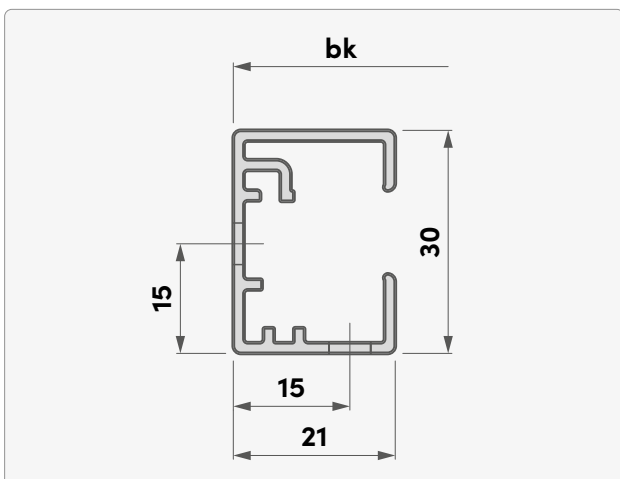
Clip (CC)



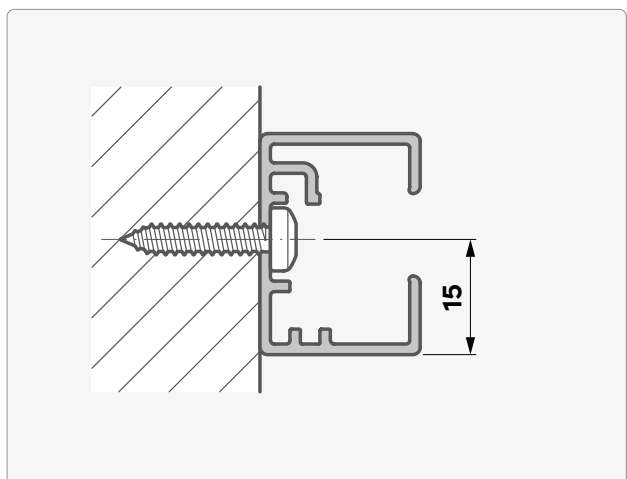
Mounting possibilities



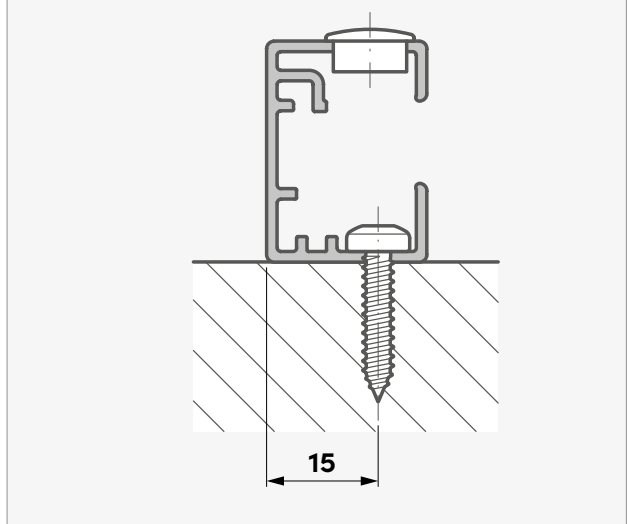
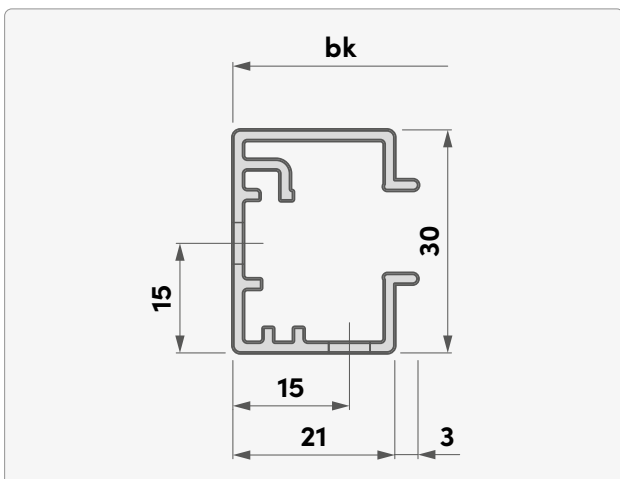
Monobloc (CM)



Mounting possibilities



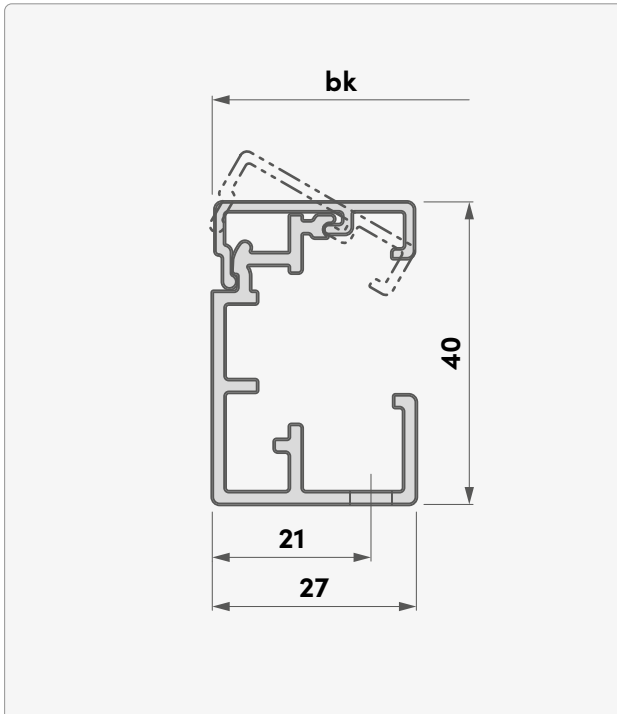
Monobloc with wings (CL)



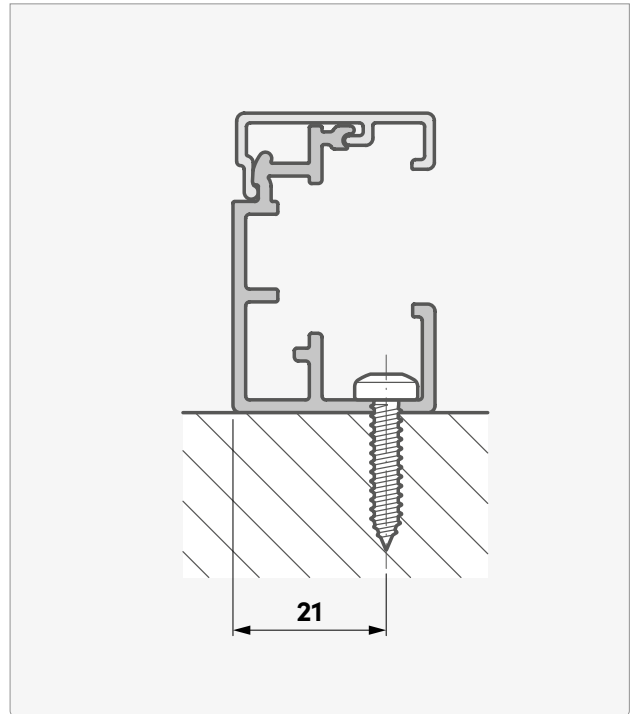
▶▶ Guide rails

Solosreen® IV Intro/Box 115

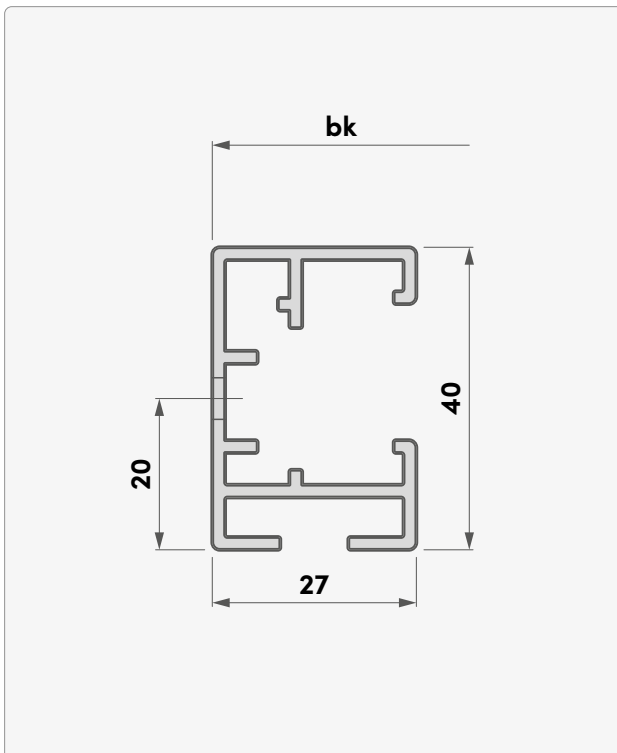
Clip (CC)



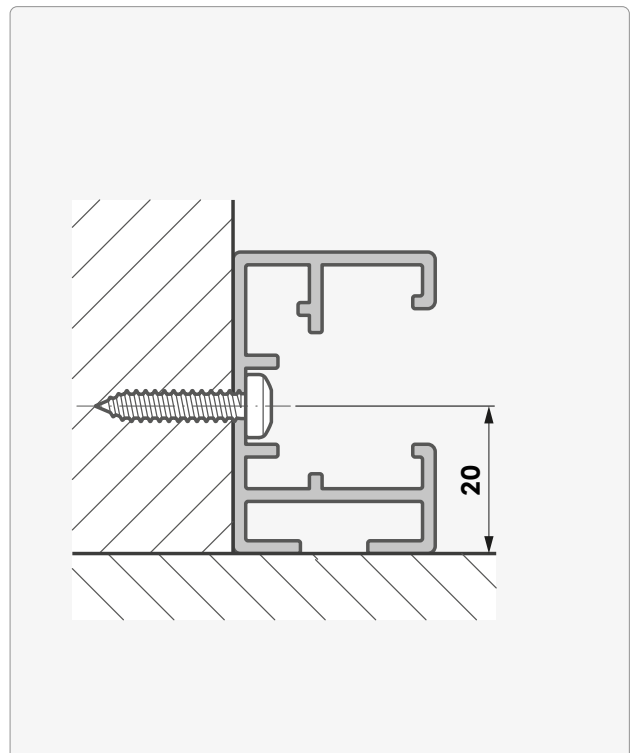
Mounting possibilities



Monobloc (CM)



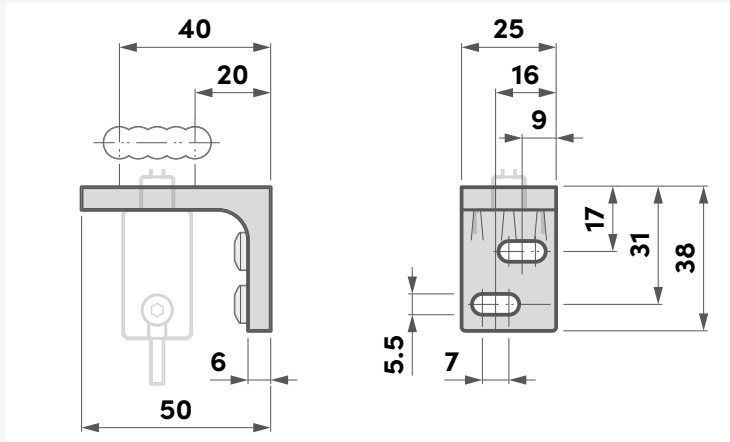
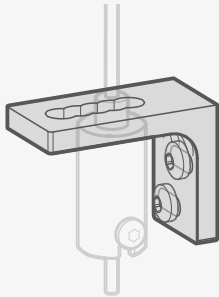
Mounting possibilities



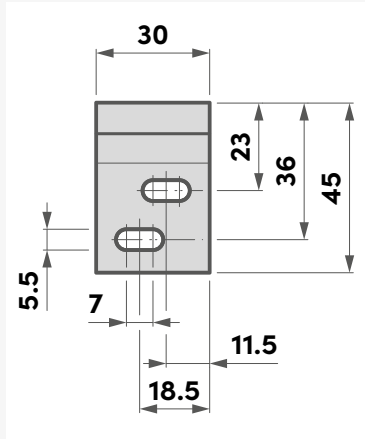
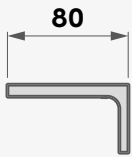
Cable guide | Tension spring at the bottom

S Tensioning bracket

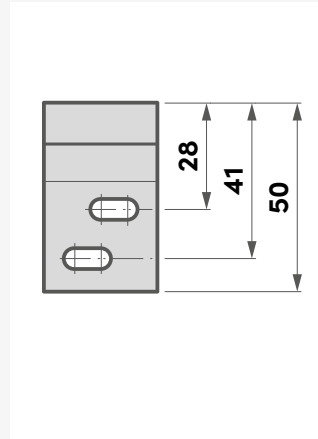
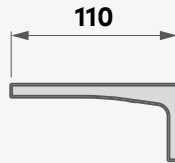
Projection 20 – 40



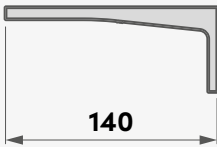
Projection 45 – 70



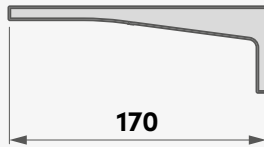
Projection 75 – 100



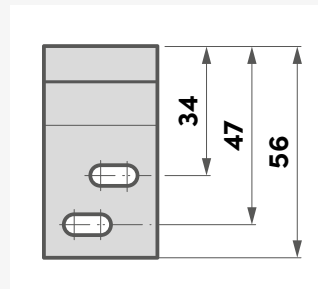
Projection 105 – 130



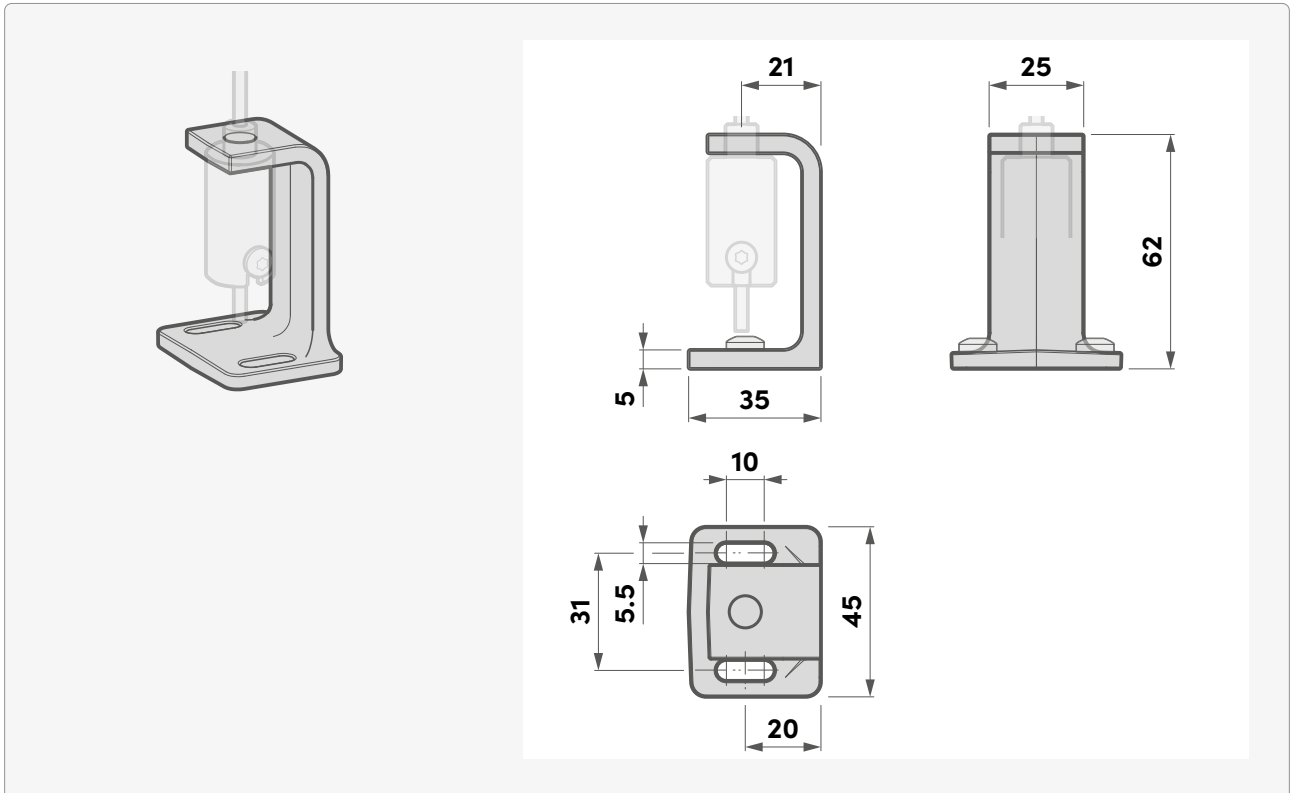
Projection 135 – 160



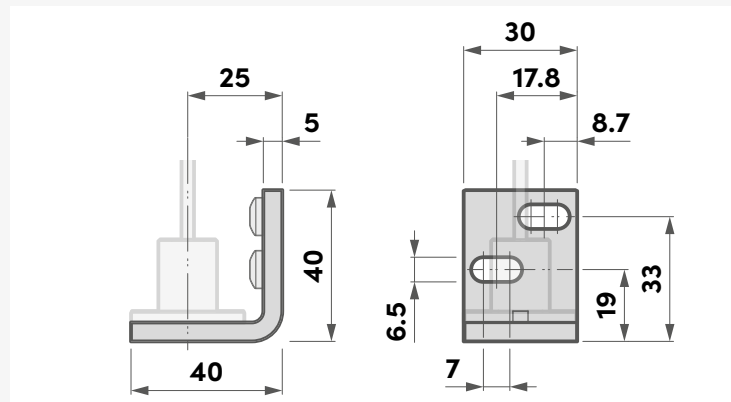
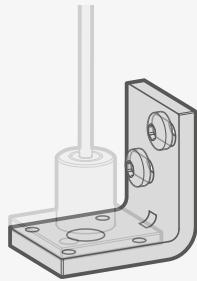
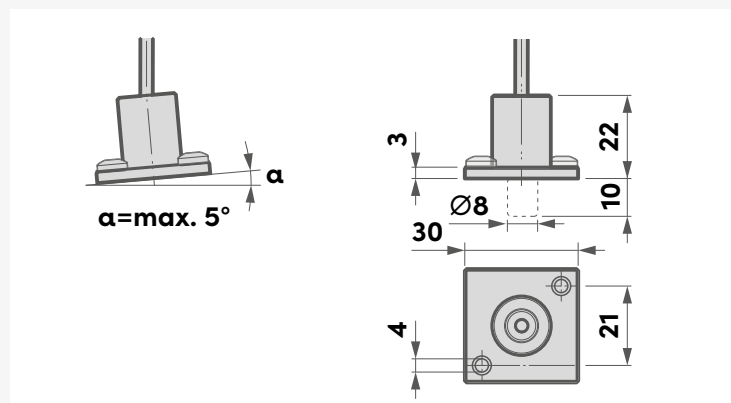
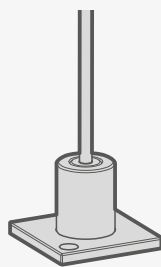
Projection 165 – 190



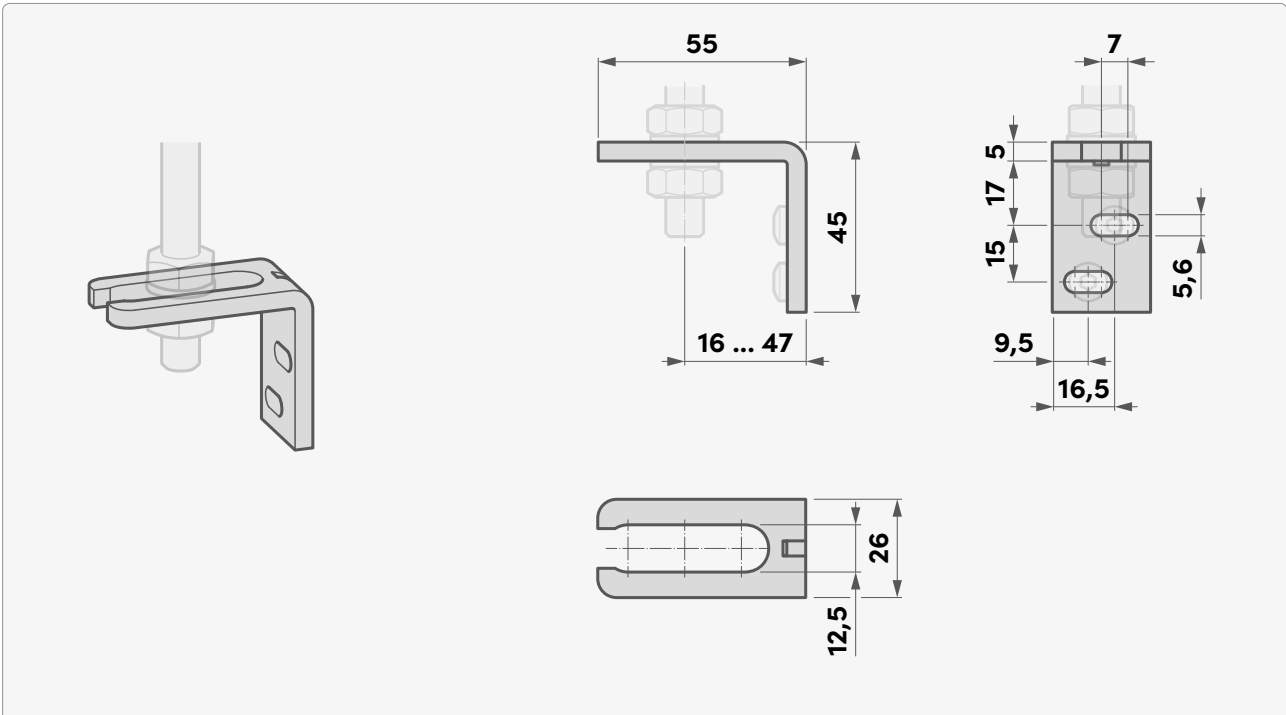
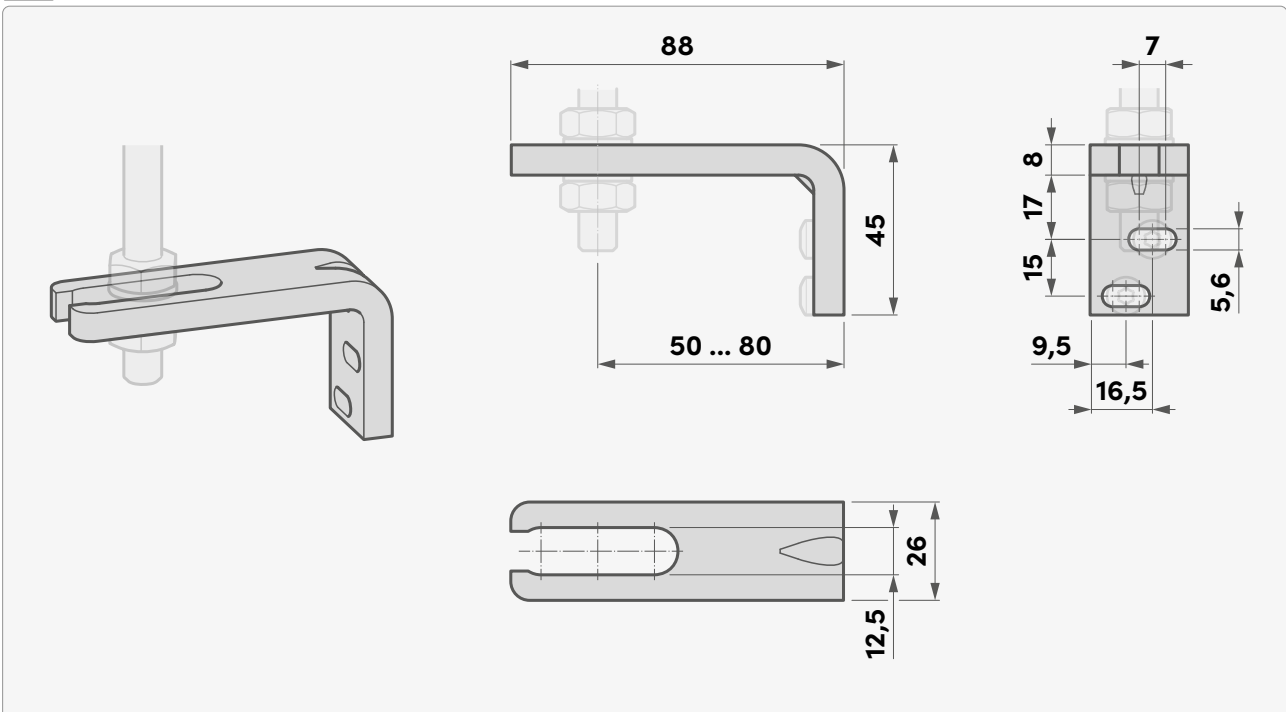
▶▶ Cable guide | Tension spring at the bottom

NU Cable holder

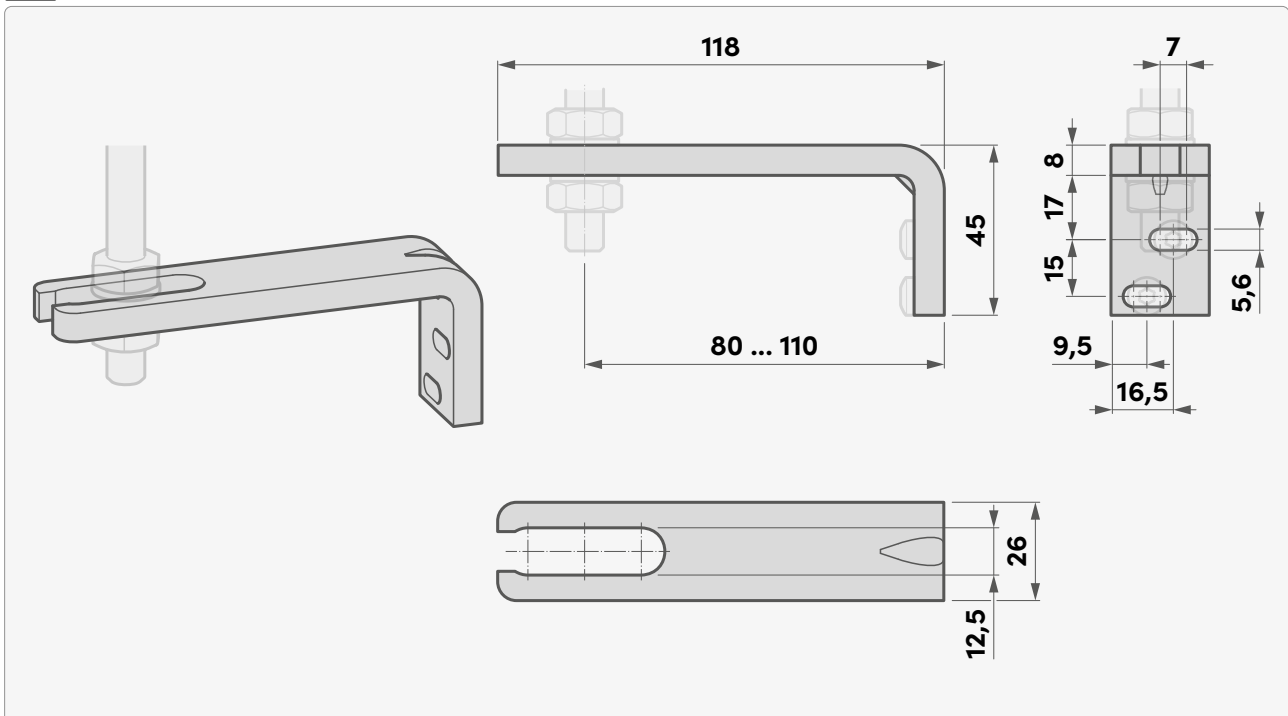
Cable guide | Tension spring at the top (Intro 115 / Box 115 / Soft)

S Tensioning bracket**NU** Cable holder

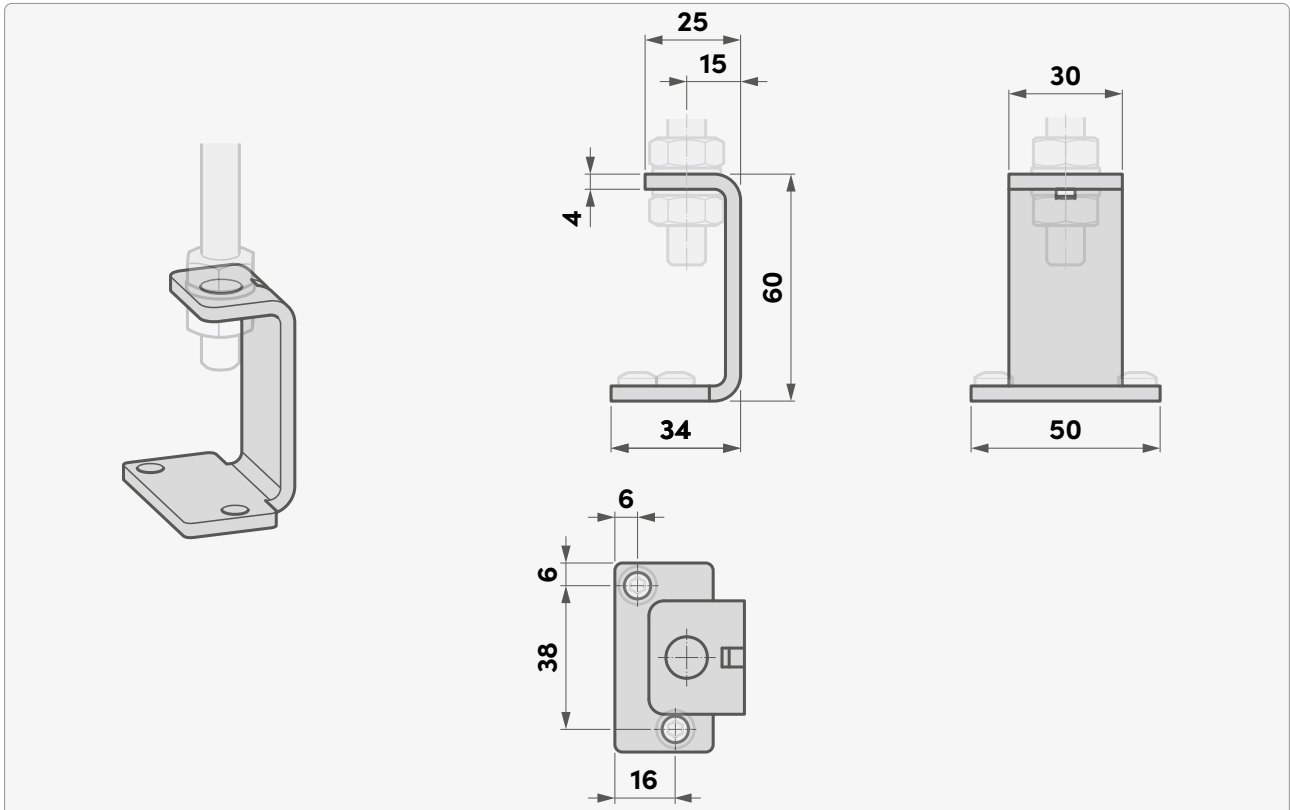
Slat guide

S Slat bracket (Projection 16 ... 47)**S** Slat bracket (Projection 50 ... 80)

▶▶ Slat guide

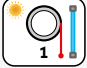
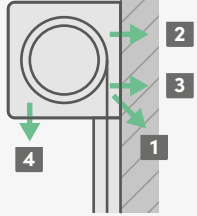
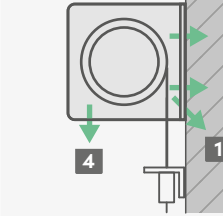
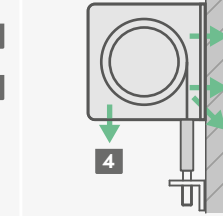
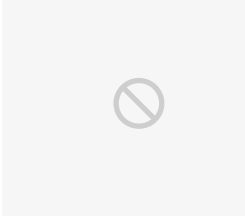
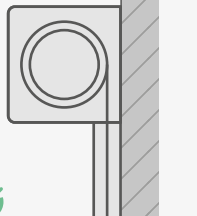
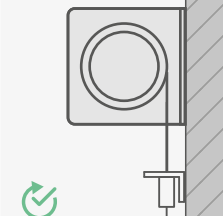
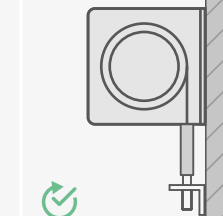
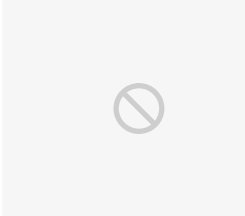
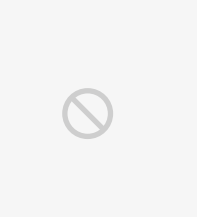
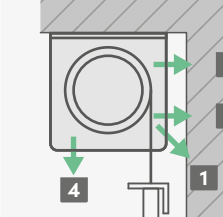
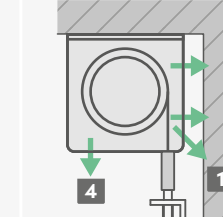
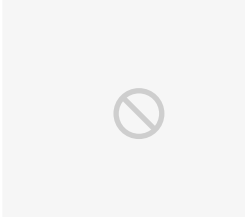
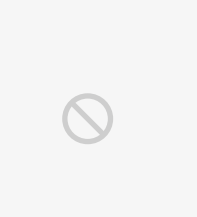
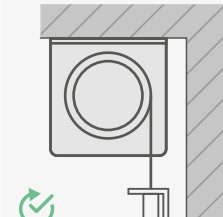
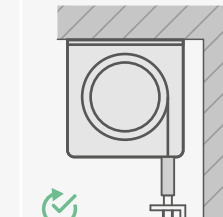
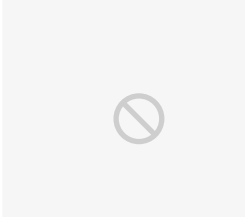
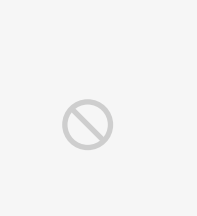
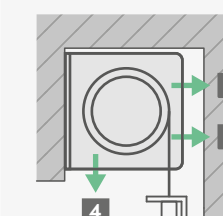
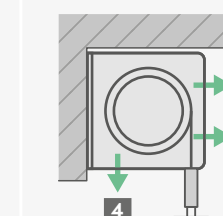
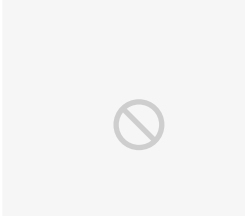
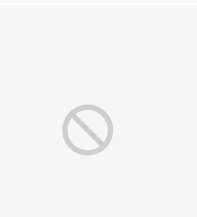
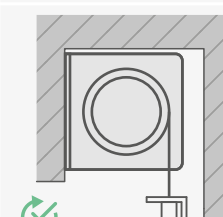
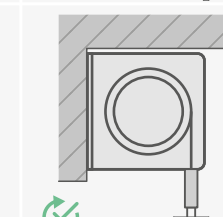
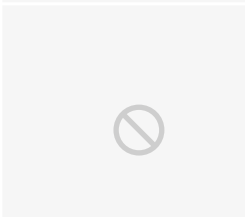
S Slat bracket (Projection 80 ... 110)


▶▶ Slat guide

NU Slat holder

Orientation of cable and crank outlet

Soloscreen® IV Intro 85

					
		Guide rails	Guide cable Tension spring at the bottom	Guide rod	Guide cable Tension spring at the top
NH / Fix	Crank				
	Motor				
NO	Crank				
	Motor				
NV / Fix	Crank				
	Motor				

1 2 3 4 Articulated crank outlet
 Motor cable outlet freely selectable

►► Orientation of cable and crank outlet

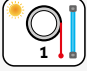
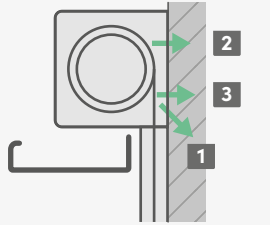
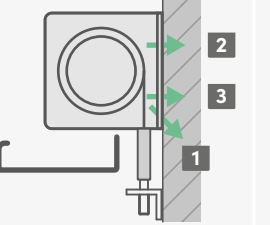
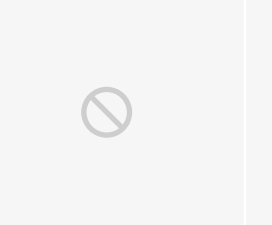
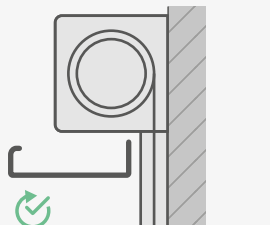
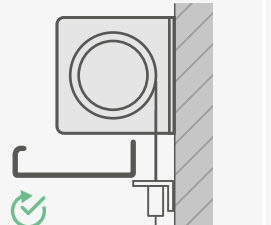
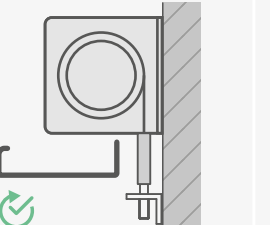

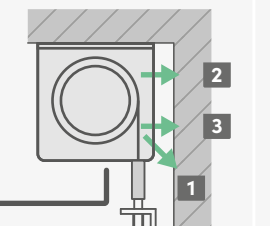
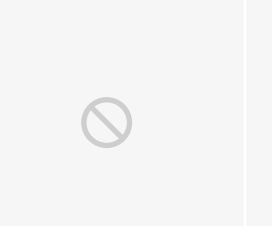
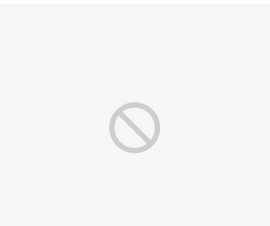
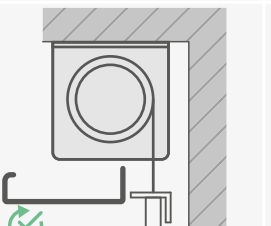
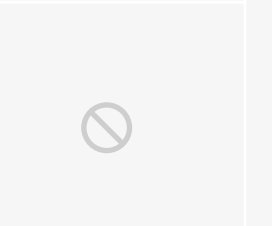
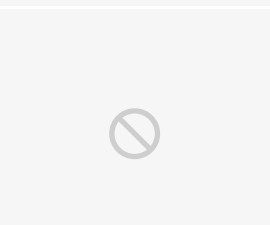
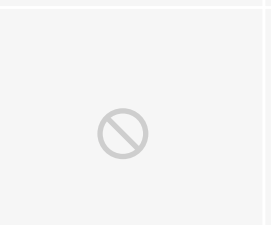
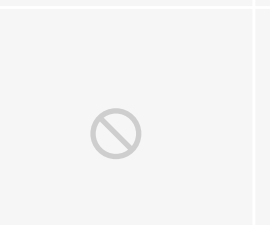
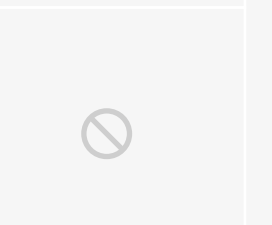
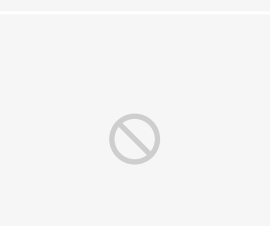
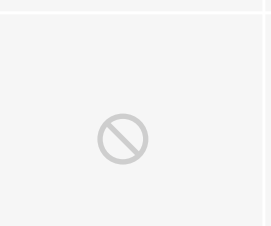
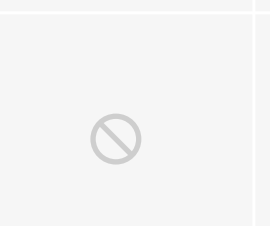
Soloscreen® IV Intro 85


			Guide rails	Guide cable Tension spring at the bottom	Guide rod	Guide cable Tension spring at the top
NH / Fix	Crank					
	Motor					
NO	Crank					
	Motor					
NV / Fix	Crank					
	Motor					


Articulated crank outlet
 Motor cable outlet freely selectable

►► Orientation of cable and crank outlet

Soloscreen® IV Intro 85 with soffit covers

					
		Guide rails	Guide cable Tension spring at the bottom	Guide rod	Guide cable Tension spring at the top
NH / Fix	Crank				
	Motor				
NO	Crank				
	Motor				
NV / Fix	Crank				
	Motor				





►► Orientation of cable and crank outlet

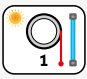

Soloscreen® IV Intro 85 with soffit covers

			Guide rails	Guide cable Tension spring at the bottom	Guide rod	Guide cable Tension spring at the top
NH / Fix	Crank					
	Motor					
NO	Crank					
	Motor					
NV / Fix	Crank					
	Motor					


Articulated crank outlet
 Motor cable outlet freely selectable

►► Orientation of cable and crank outlet

Soloscreen® IV Intro 115

					
					
		Guide rails	Guide cable Tension spring at the bottom	Guide rod	Guide cable Tension spring at the top
NH / Fix	Crank				
	Motor				
NO	Crank				
	Motor				
NV / Fix	Crank				
	Motor				

1 2 3 4 Articulated crank outlet

 Motor cable outlet freely selectable

►► Orientation of cable and crank outlet

Soloscreen® IV Intro 115

			Guide rails	Guide cable Tension spring at the bottom	Guide rod	Guide cable Tension spring at the top
NH / Fix	Crank					
	Motor					
NO	Crank					
	Motor					
NV / Fix	Crank					
	Motor					

1 2 3 4 Articulated crank outlet
 Motor cable outlet freely selectable

►► Orientation of cable and crank outlet

Soloscreen® IV Intro 115 with soffit covers

					
		Guide rails	Guide cable Tension spring at the bottom	Guide rod	Guide cable Tension spring at the top
NH / Fix	Crank				
	Motor				
NO	Crank				
	Motor				
NV / Fix	Crank				
	Motor				





►► Orientation of cable and crank outlet

Soloscreen® IV Intro 115 with soffit covers

		Guide rails	Guide cable Tension spring at the bottom	Guide rod	Guide cable Tension spring at the top
NH / Fix	Crank	⊘	⊘	⊘	⊘
	Motor	⊘	⊘	⊘	⊘
NO	Crank	⊘			
	Motor	⊘			
NV / Fix	Crank				
	Motor				

Articulated crank outlet
 Motor cable outlet

►► Orientation of cable and crank outlet

Soloscreen® IV Box 85



		Guide rails	Guide cable Tension spring at the bottom	Guide rod	Guide cable Tension spring at the top
Fix / NH / NO	Crank				⊘
	Motor				⊘
	Solar				⊘

1 2 3 4 Articulated crank outlet

* Motor cable outlet

►► Orientation of cable and crank outlet

Soloscreen® IV Box 85



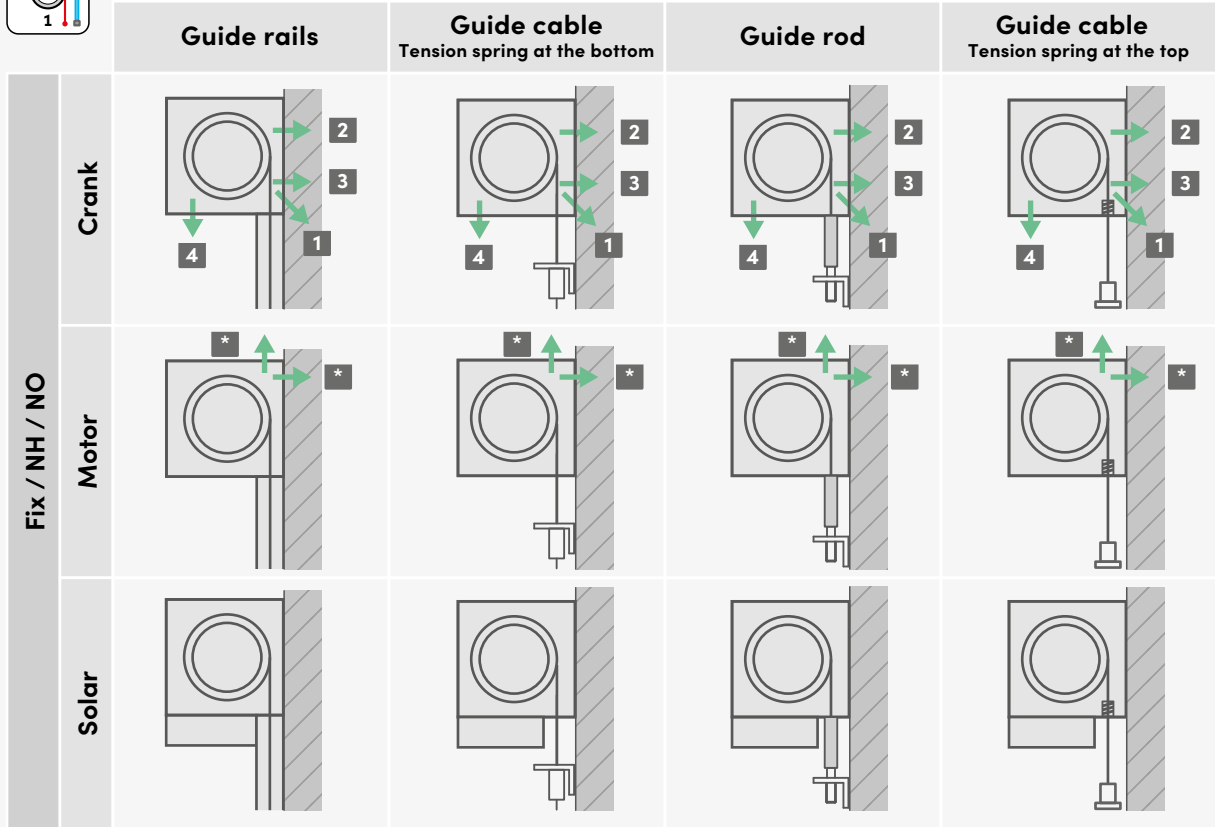
		Guide rails	Guide cable Tension spring at the bottom	Guide rod	Guide cable Tension spring at the top
Fix / NO	Crank				
	Motor				
	Solar				

4 Articulated crank outlet

* Motor cable outlet

►► Orientation of cable and crank outlet

Soloscreen® IV Box 115



1 2 3 4 Articulated crank outlet

* Motor cable outlet

►► Orientation of cable and crank outlet

Solosreen® IV Box 115



		Guide rails	Guide cable Tension spring at the bottom	Guide rod	Guide cable Tension spring at the top
Fix / NO	Crank				
	Motor				
	Solar				

4 Articulated crank outlet

* Motor cable outlet

►► Orientation of cable and crank outlet

Soloscreen® IV Soft

			Guide rails	Guide cable Tension spring at the bottom	Guide rod	Guide cable Tension spring at the top
NH / Fix	Crank		⊘	⊘	⊘	⊘
	Motor		⊘	⊘	⊘	⊘
NO	Crank		⊘			
	Motor		⊘			
NV / Fix	Crank		⊘	⊘	⊘	⊘
	Motor		⊘	⊘	⊘	⊘

 Crank handle outlet
 Motor cable outlet freely selectable

►► Orientation of cable and crank outlet

Soloscreen® IV Soft

			Guide rails	Guide cable Tension spring at the bottom	Guide rod	Guide cable Tension spring at the top
NH / Fix	Crank		⊘	⊘	⊘	⊘
	Motor		⊘	⊘	⊘	⊘
NO	Crank		⊘			
	Motor		⊘			
NV / Fix	Crank		⊘	⊘	⊘	⊘
	Motor		⊘	⊘	⊘	⊘

 Crank handle outlet
 Motor cable outlet freely selectable

Electrically driven with motor

Motor types

Griesser	M [Nm]	U [1/min.]	Width (bk)	Limit switch type	Frequency [Hz]
Davinci 50 ST Short	10	17	≥ 545	mechanical	-
Davinci 50 ST	10	17	≤ 3000	mechanical	-
Davinci 50 ST	15	17	≥ 3001 ... ≤ 3500	mechanical	-
Davinci 50 ST	25	17	≥ 3501	mechanical	-

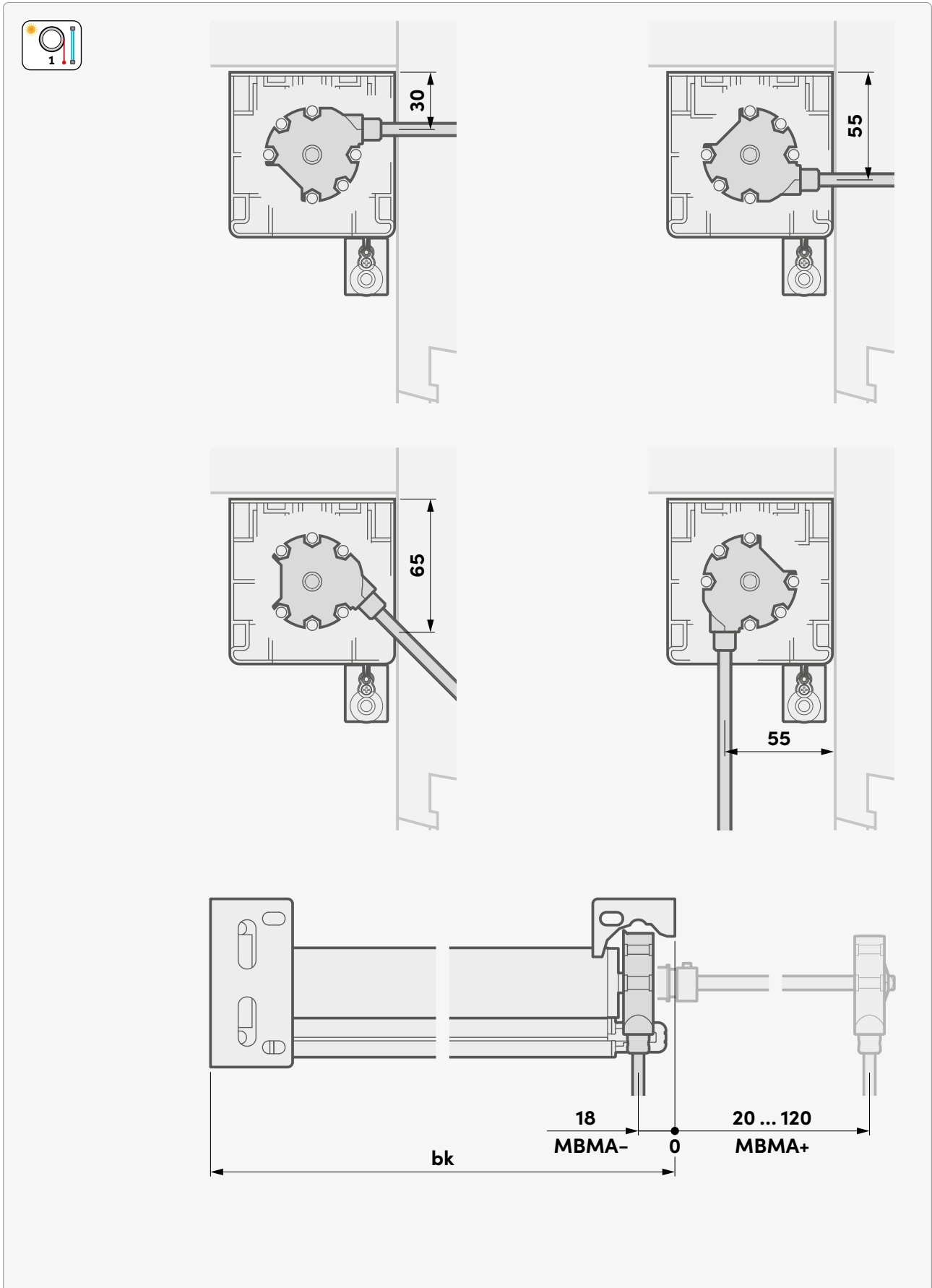
SIMU	M [Nm]	U [1/min.]	Width (bk)	Limit switch type	Frequency [Hz]
T3.5 ESP Solar Hz	10	12	≤ 4500	electronic	433
T5	10	17	≤ 3000	mechanical	-
T5	15	17	≥ 3001 ... ≤ 3500	mechanical	-
T5	25	17	≥ 3501	mechanical	-
T5 Hz	10	17	≤ 3000	electronic	433
T5 Hz	15	17	≥ 3001 ... ≤ 3500	electronic	433
T5 Hz	25	17	≥ 3501	electronic	433
T5 BHz	10	17	≤ 3000	electronic	868
T5 BHz	15	17	≥ 3001 ... ≤ 3500	electronic	868
T5 BHz	25	17	≥ 3501	electronic	868

SOMFY	M [Nm]	U [1/min.]	Width (bk)	Limit switch type	Frequency [Hz]
LS 40 S Short	4	16	≥ 545	mechanical	-
LT 50 Jet	10	17	≤ 3000	mechanical	-
LT 50 Atlas	15	17	≥ 3501	mechanical	-
LT 50 Gemini	25	17	≥ 3001 ... ≤ 3500	mechanical	-
Altus 50 RTS	10	17	≤ 3000	electronic	433
Altus 50 RTS	15	17	≥ 3501	electronic	433
Altus 50 RTS	25	17	≥ 3001 ... ≤ 3500	electronic	433
Sunea 50 Screen IO	10	17	≤ 3000	electronic	868
Sunea 50 Screen IO	15	17	≥ 3501	electronic	868
Sunea 50 Screen IO	25	17	≥ 3001 ... ≤ 3500	electronic	868
Sunea 40 Solar IO	10	12	≤ 4500	electronic	868

ELERO	M [Nm]	U [1/min.]	Width (bk)	Limit switch type	Frequency [Hz]
SunTop M SH	10	14	≤ 3000	mechanical	-
SunTop M SH	20	14	≥ 3001 ... ≤ 3500	mechanical	-
SunTop M SH	30	14	≥ 3501	mechanical	-
SunTop M-868 SH	10	14	≤ 3000	electronic	868
SunTop M-868 SH	20	14	≥ 3001 ... ≤ 3500	electronic	868
SunTop M-868 SH	30	14	≥ 3501	electronic	868

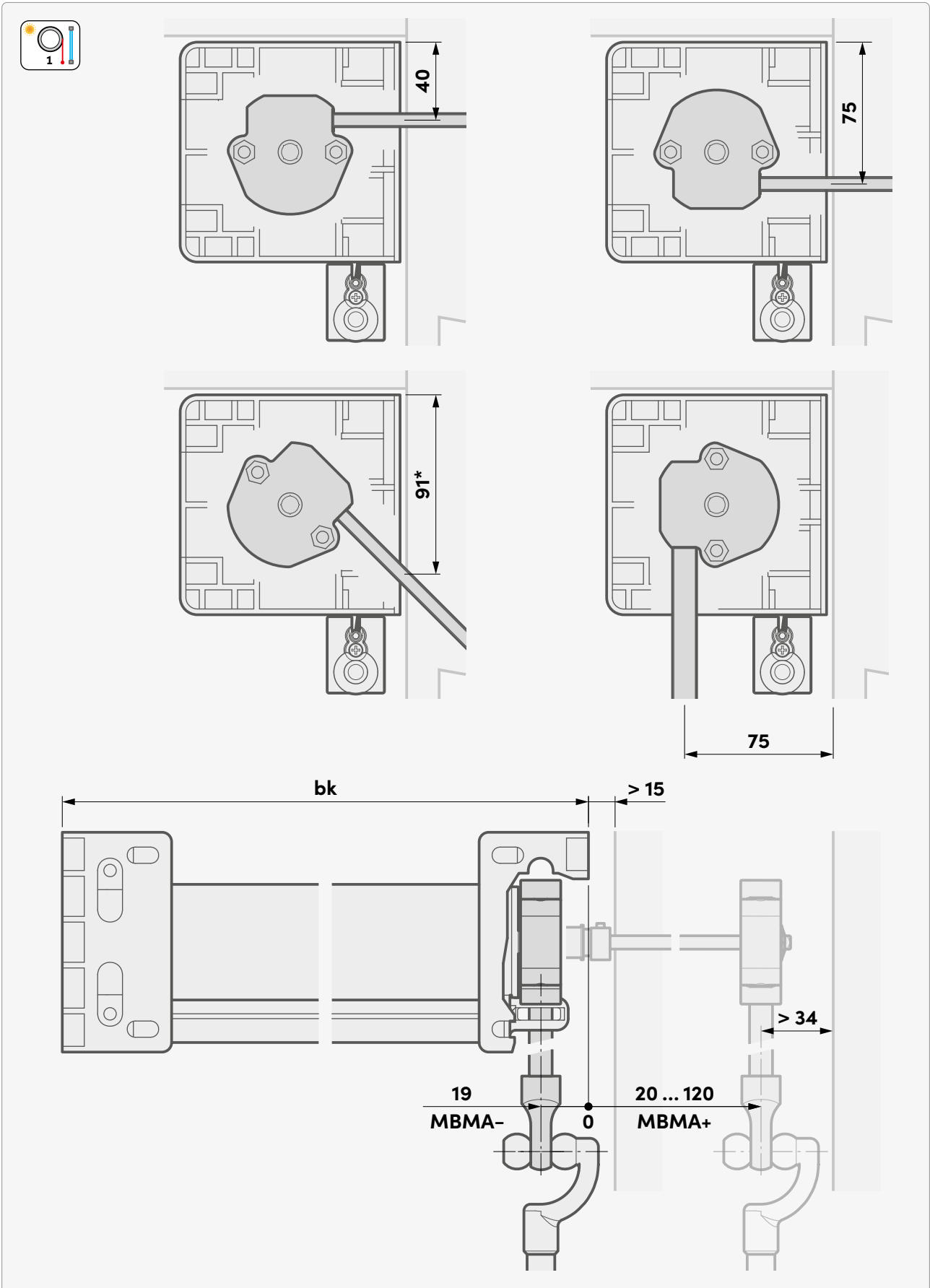
Orientation of crank outlet | MBMA

Articulated crank



►► Orientation of crank outlet | MBMA

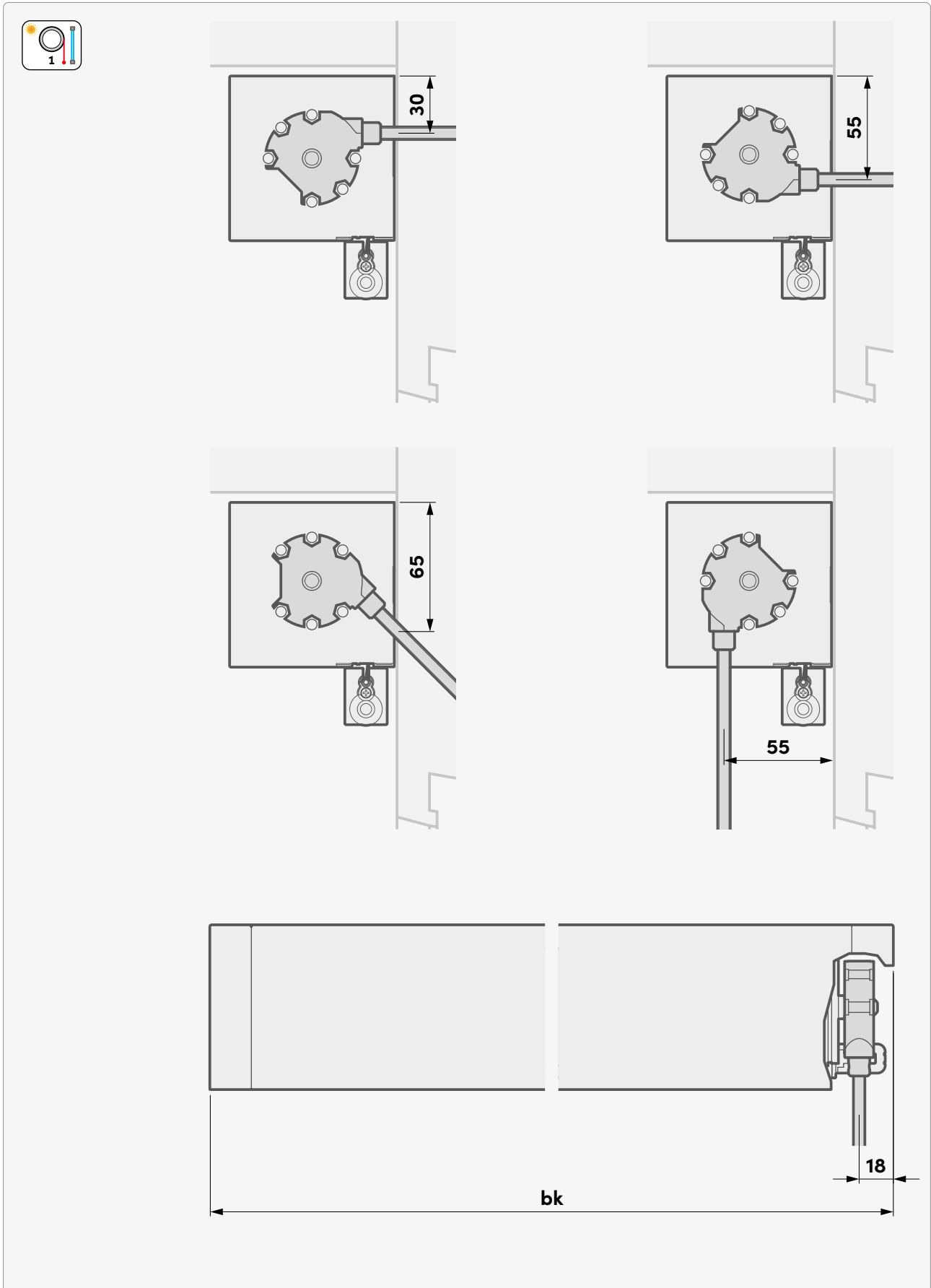
Articulated crank/Crank handle



* Installation NO: 77 mm (Crank outlet angle 35°)

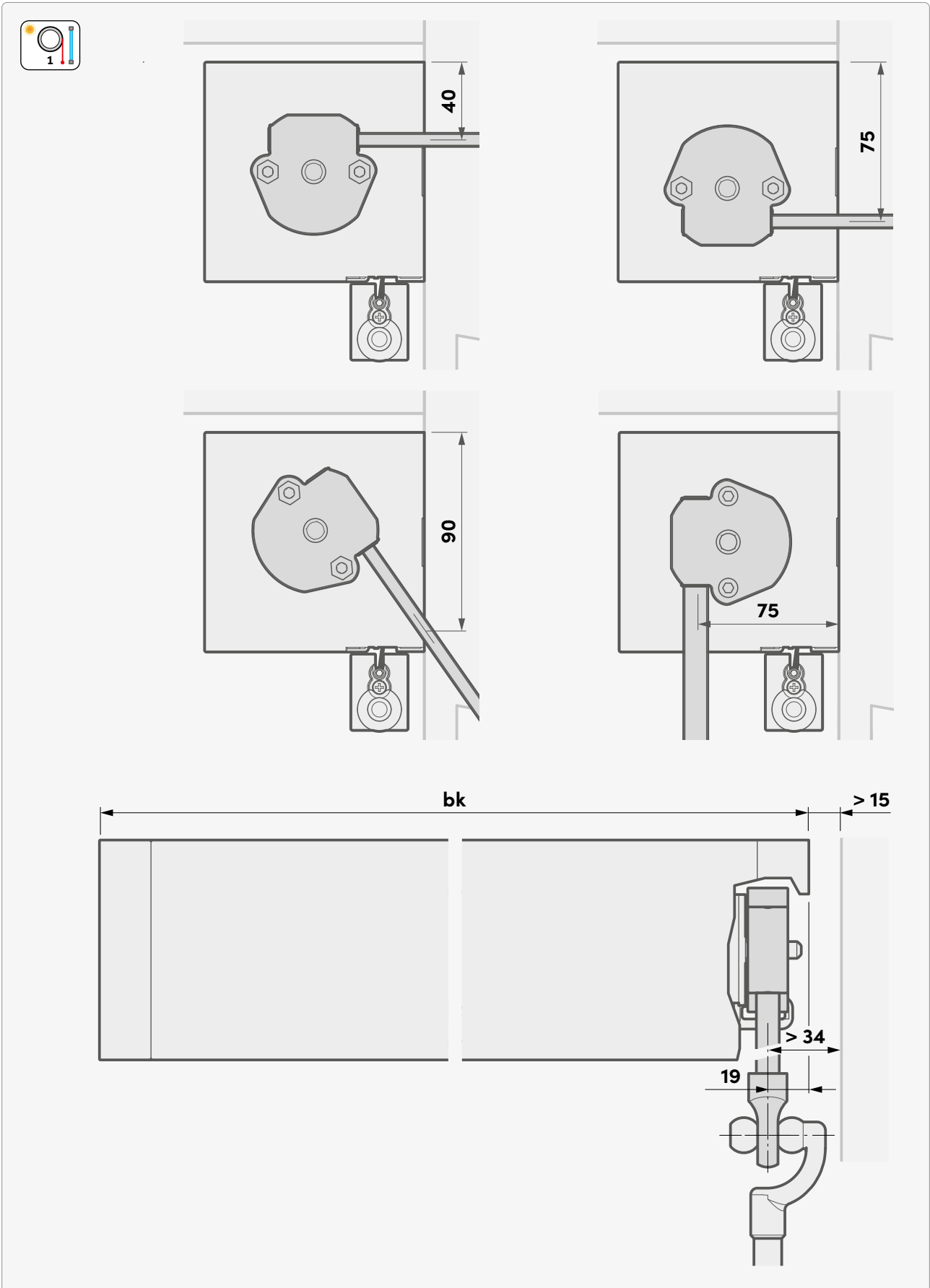
►► Orientation of crank outlet

Articulated crank



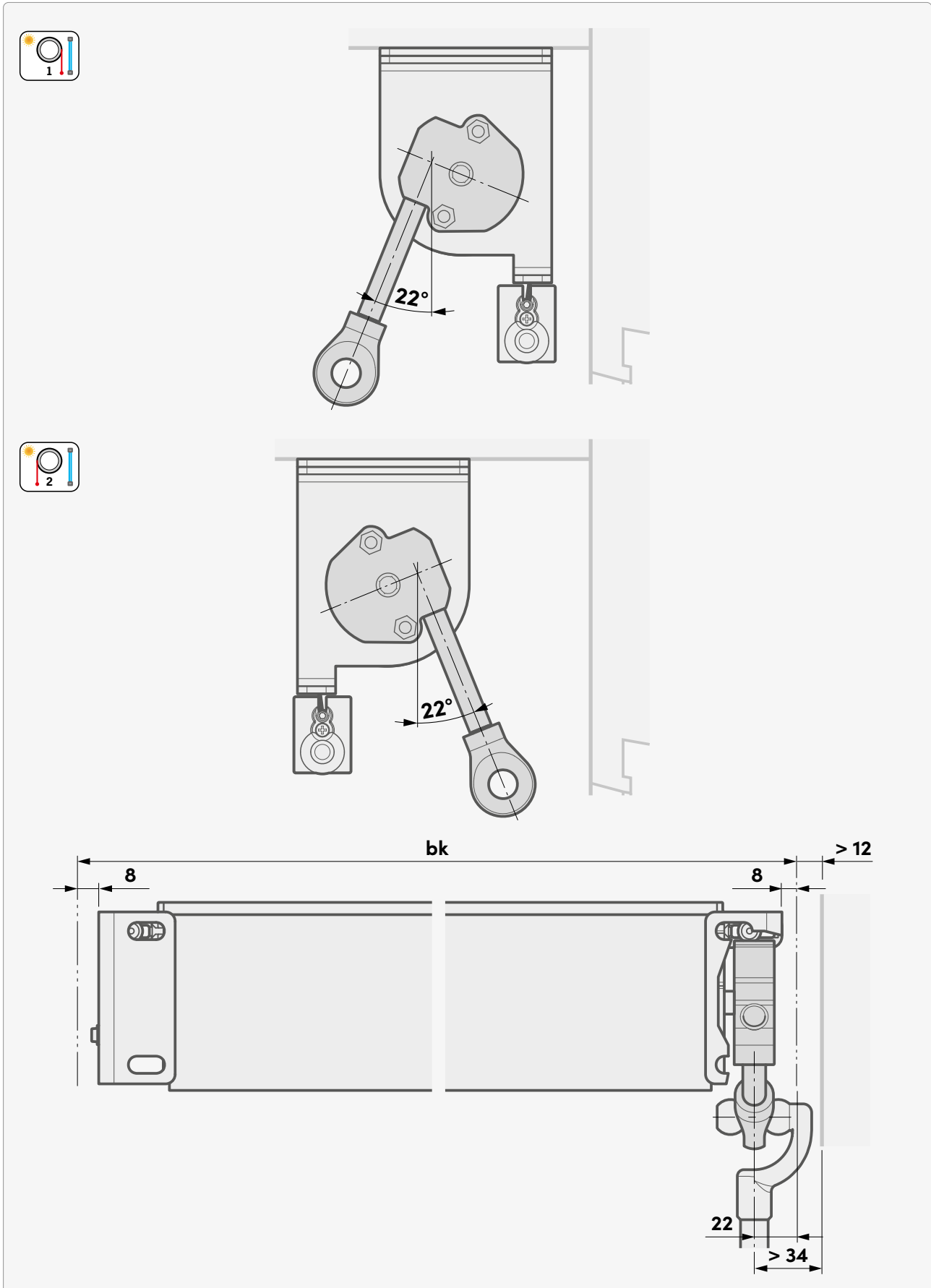
►► Orientation of crank outlet

Articulated crank/Crank handle



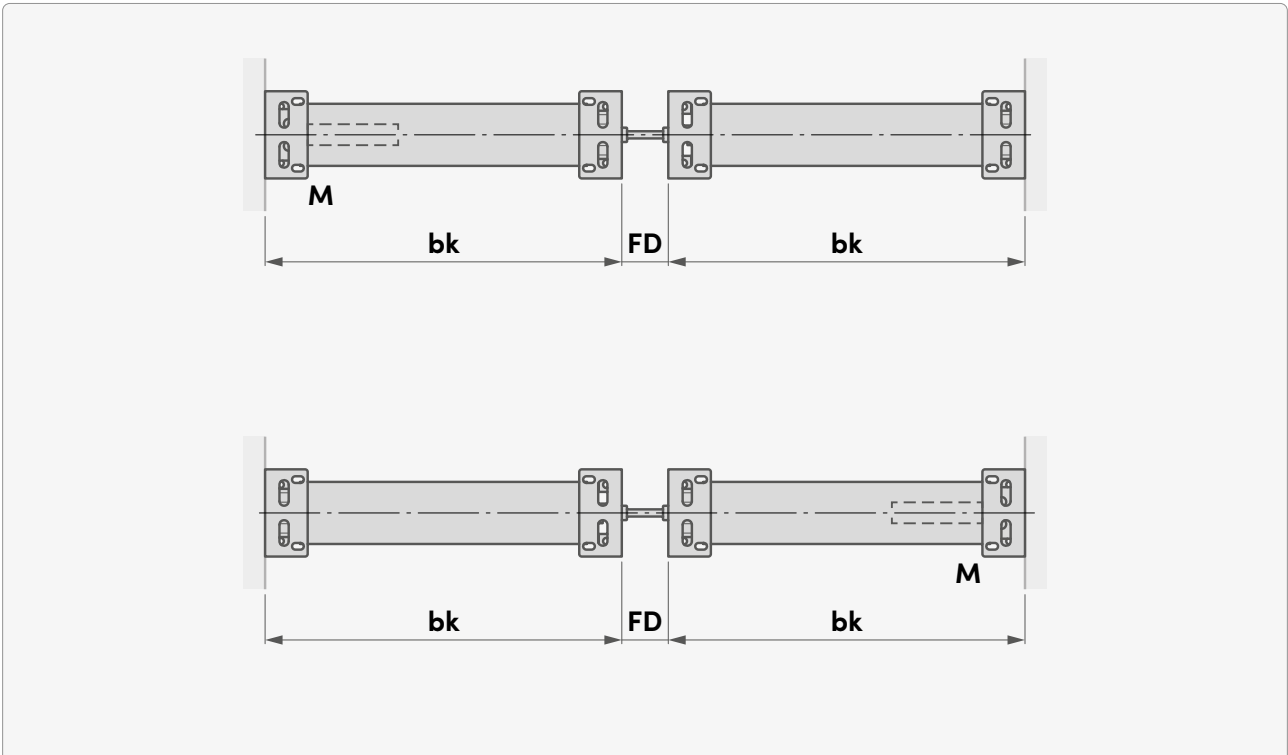
►► Orientation of crank outlet

Crank handle



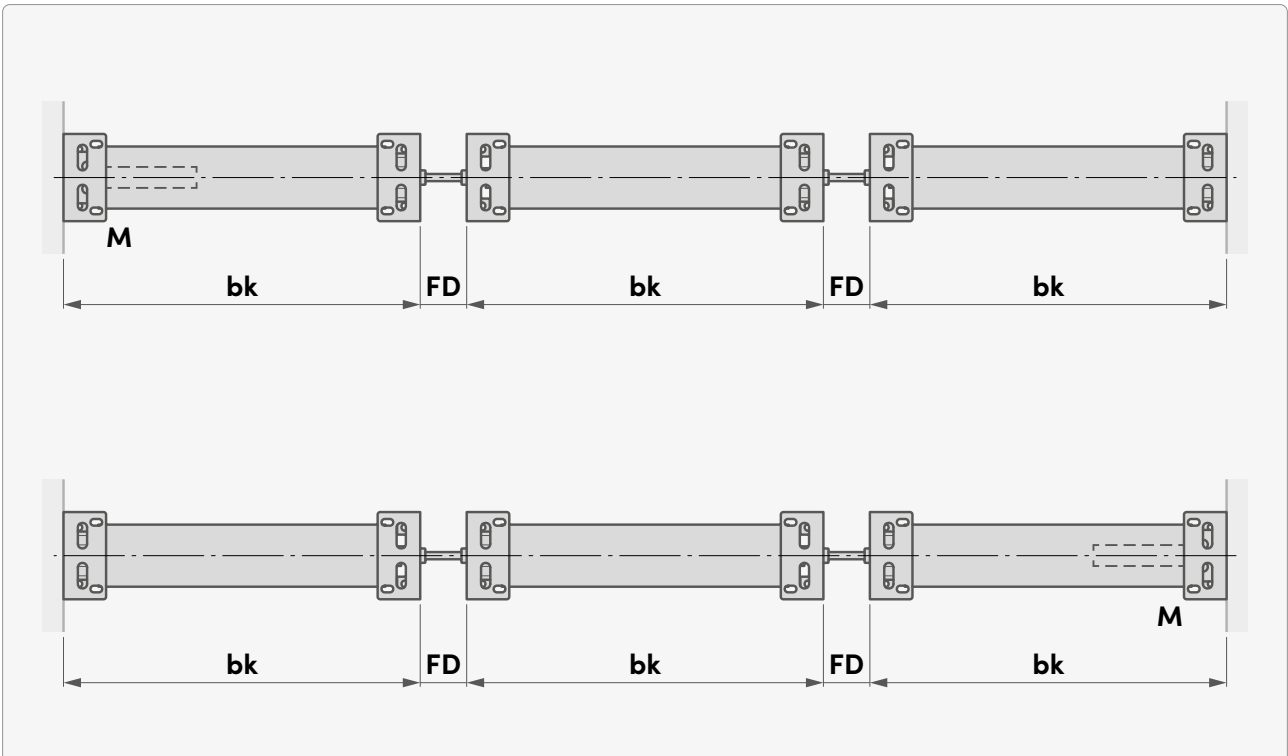
Connected systems

1× connected



FD = 0 ... 150mm

2× connected



FD = 0 ... 150mm

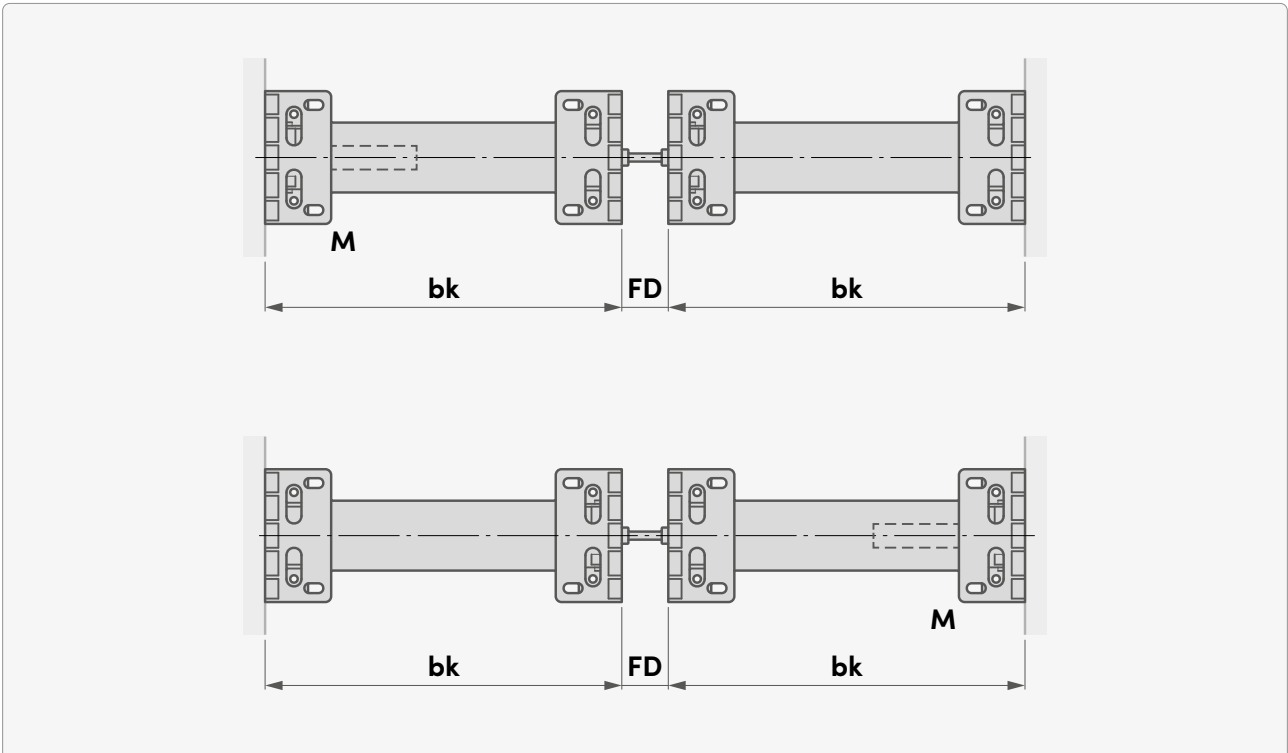
M Motor

bk External width

FD Distance between guides

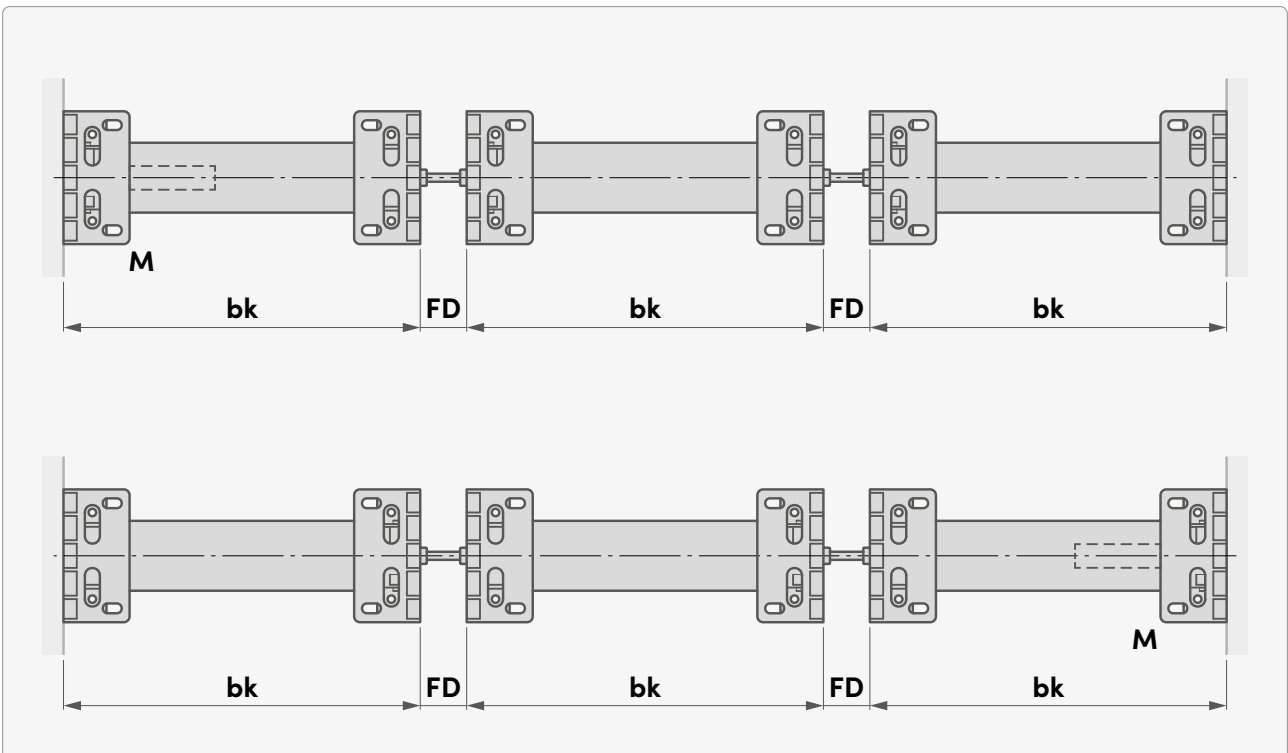
►► Connected systems

1× connected



FD = 0 ... 150 mm

2× connected



FD = 0 ... 150 mm

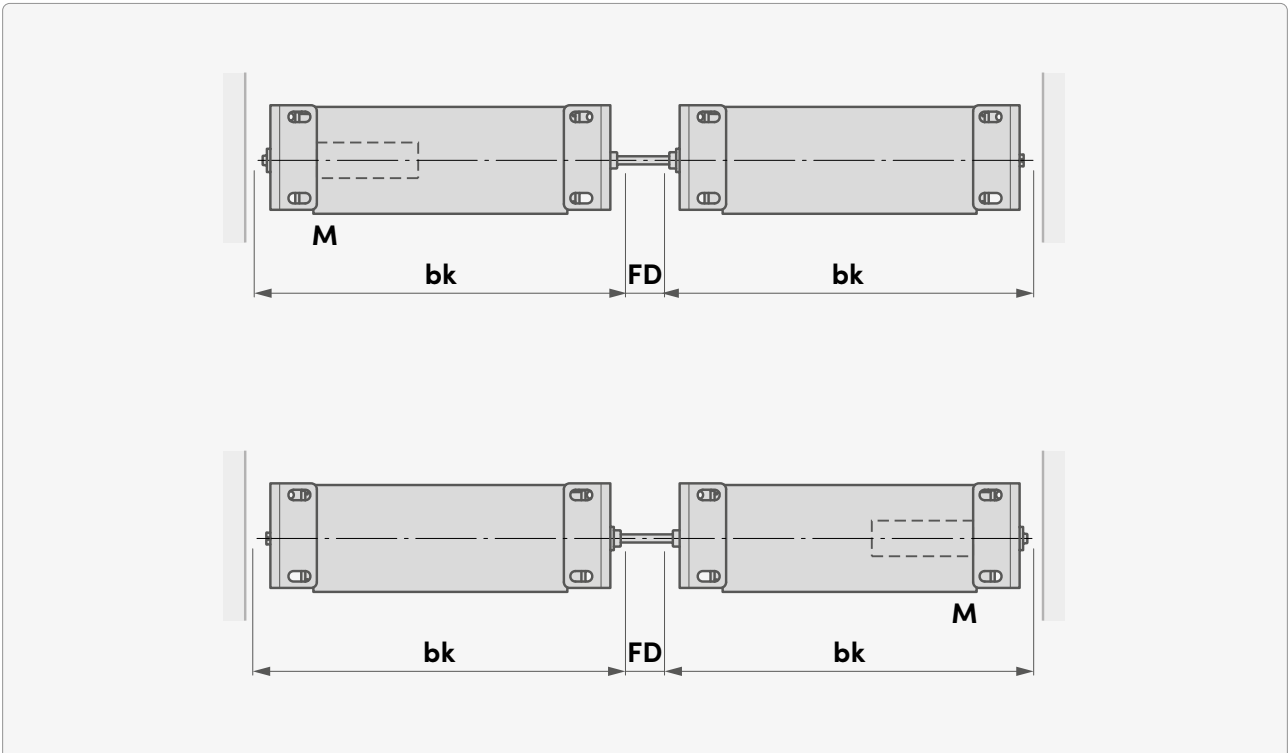
M Motor

bk External width

FD Distance between guides

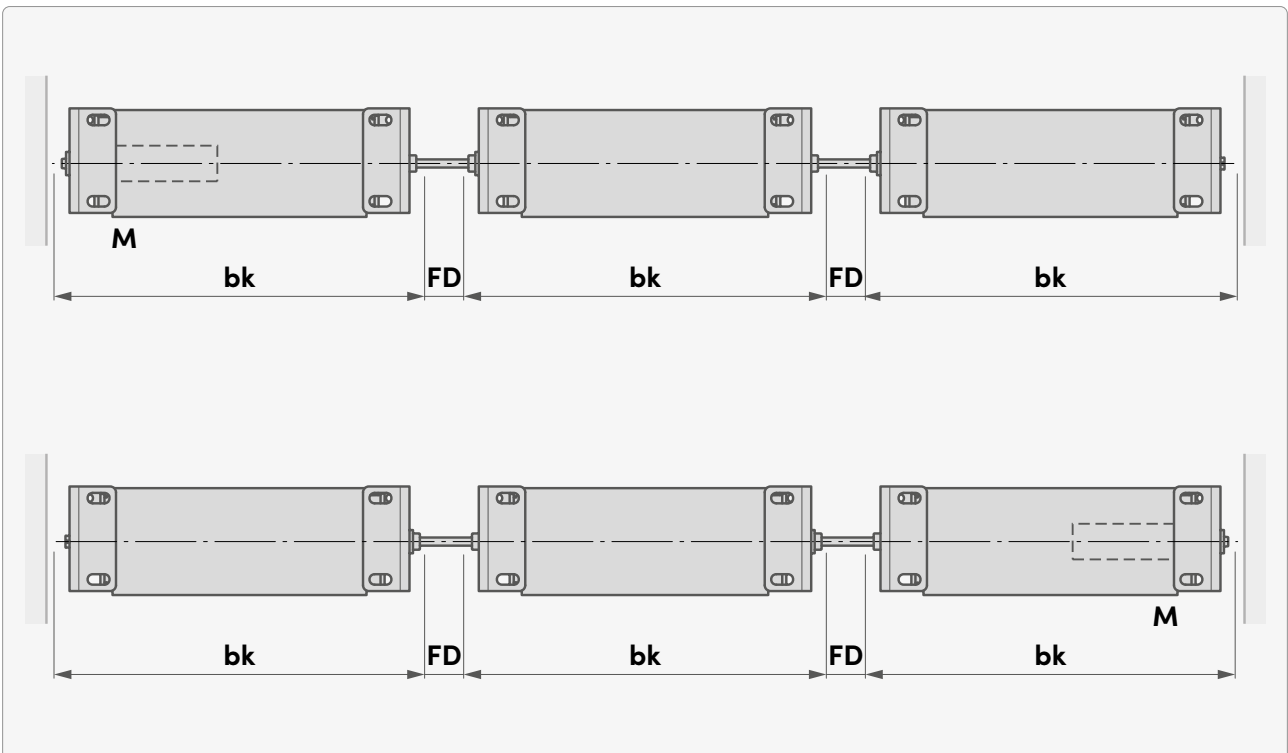
►► Connected systems

1× connected



FD = 0 ... 150 mm

2× connected



FD = 0 ... 150 mm

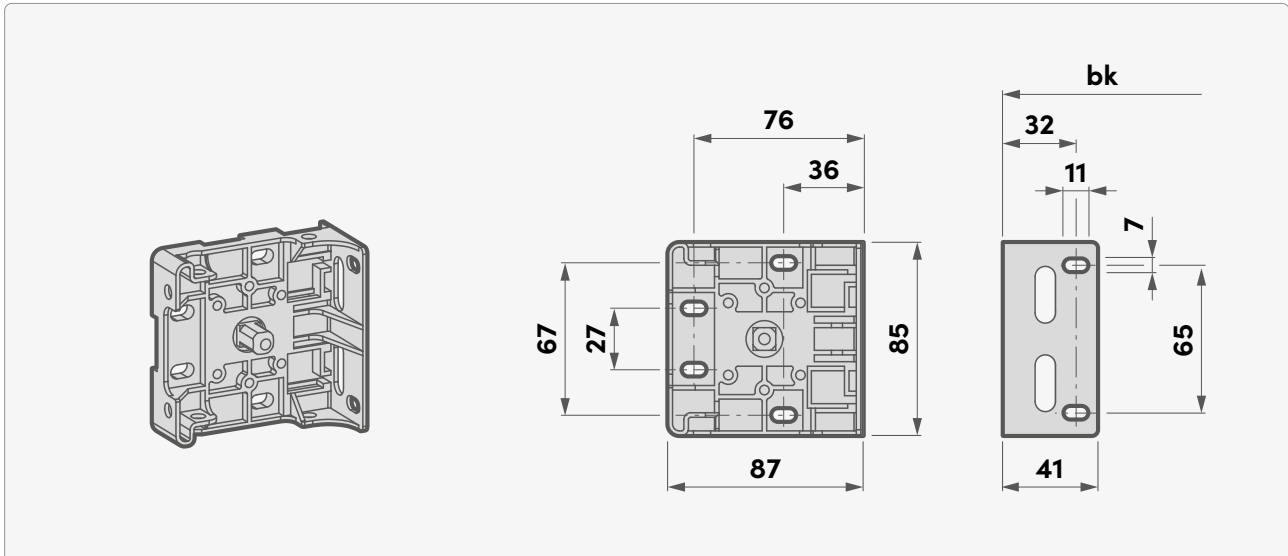
M Motor

bk External width

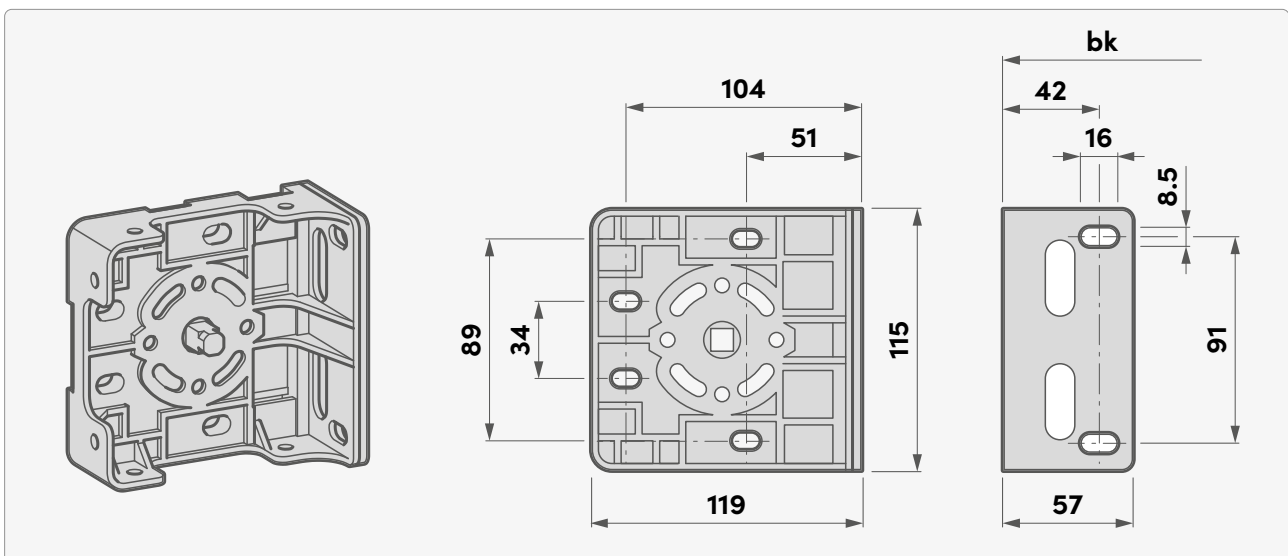
FD Distance between guides

Bearings

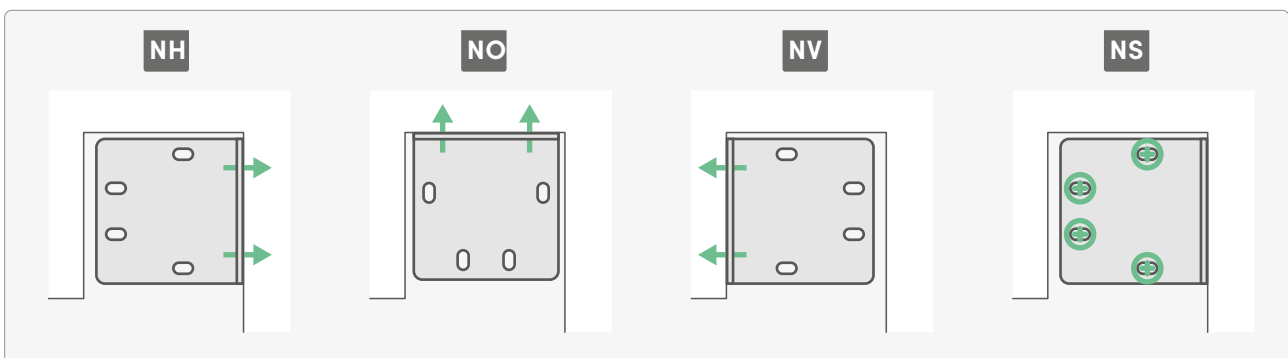
Solosreen® IV Intro 85



Solosreen® IV Intro 115

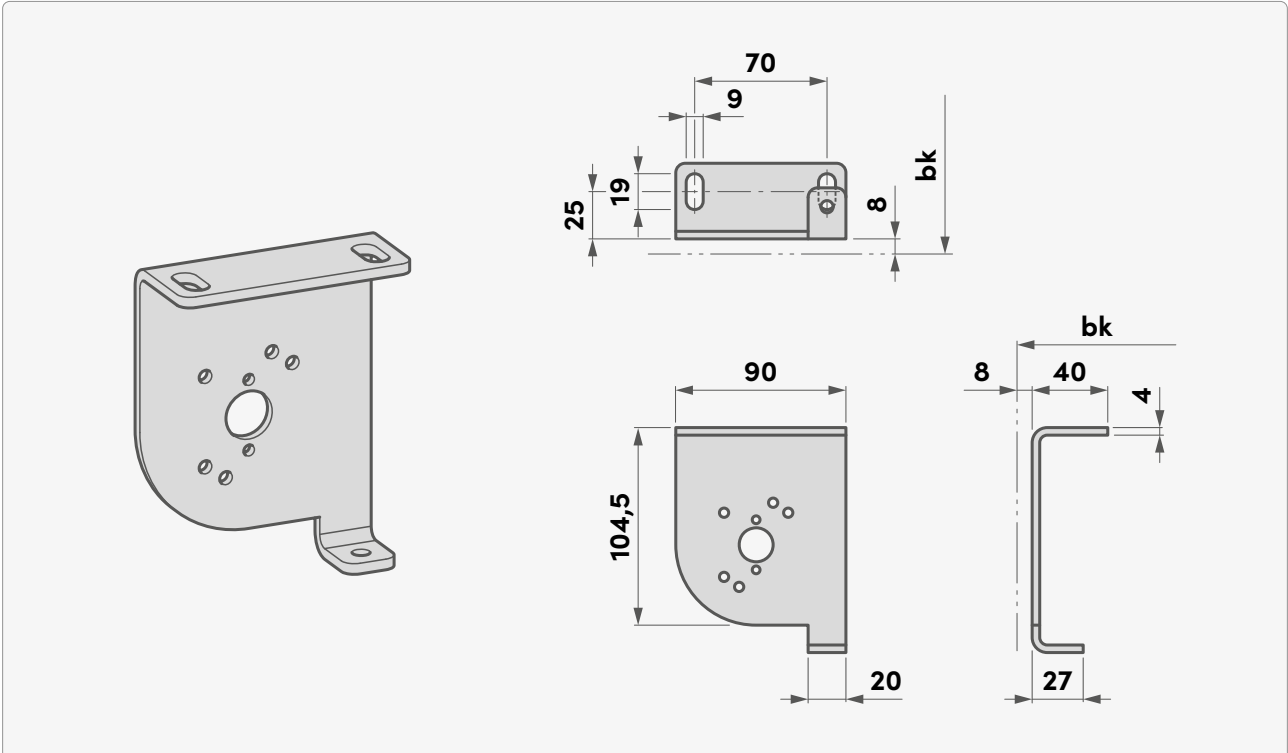


Mounting possibilities

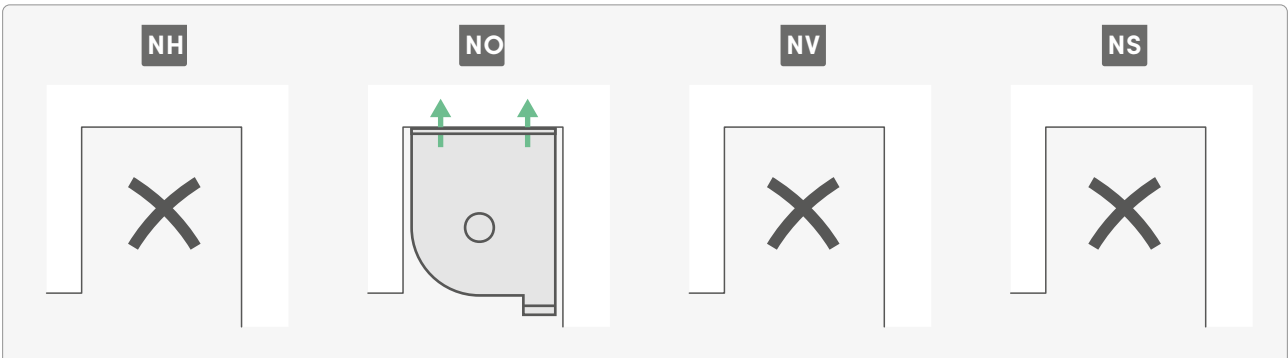


►► Bearings

Soloscreen® IV Soft

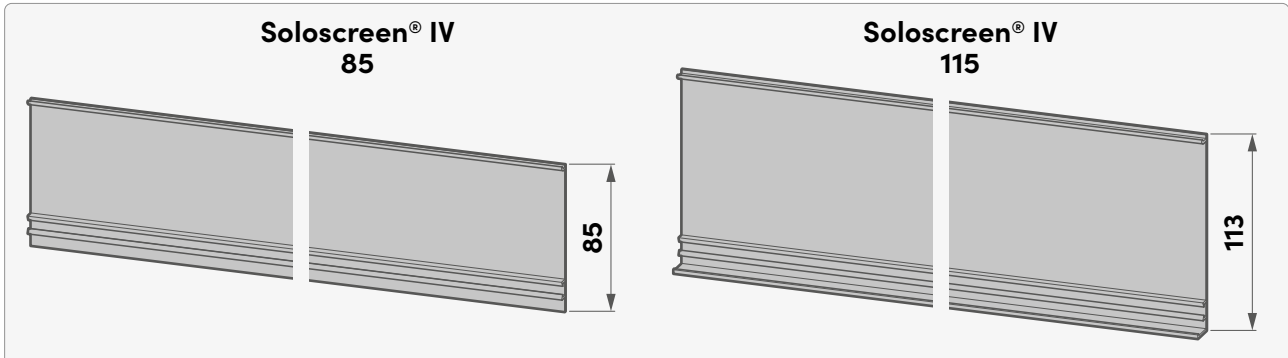


Mounting possibilities

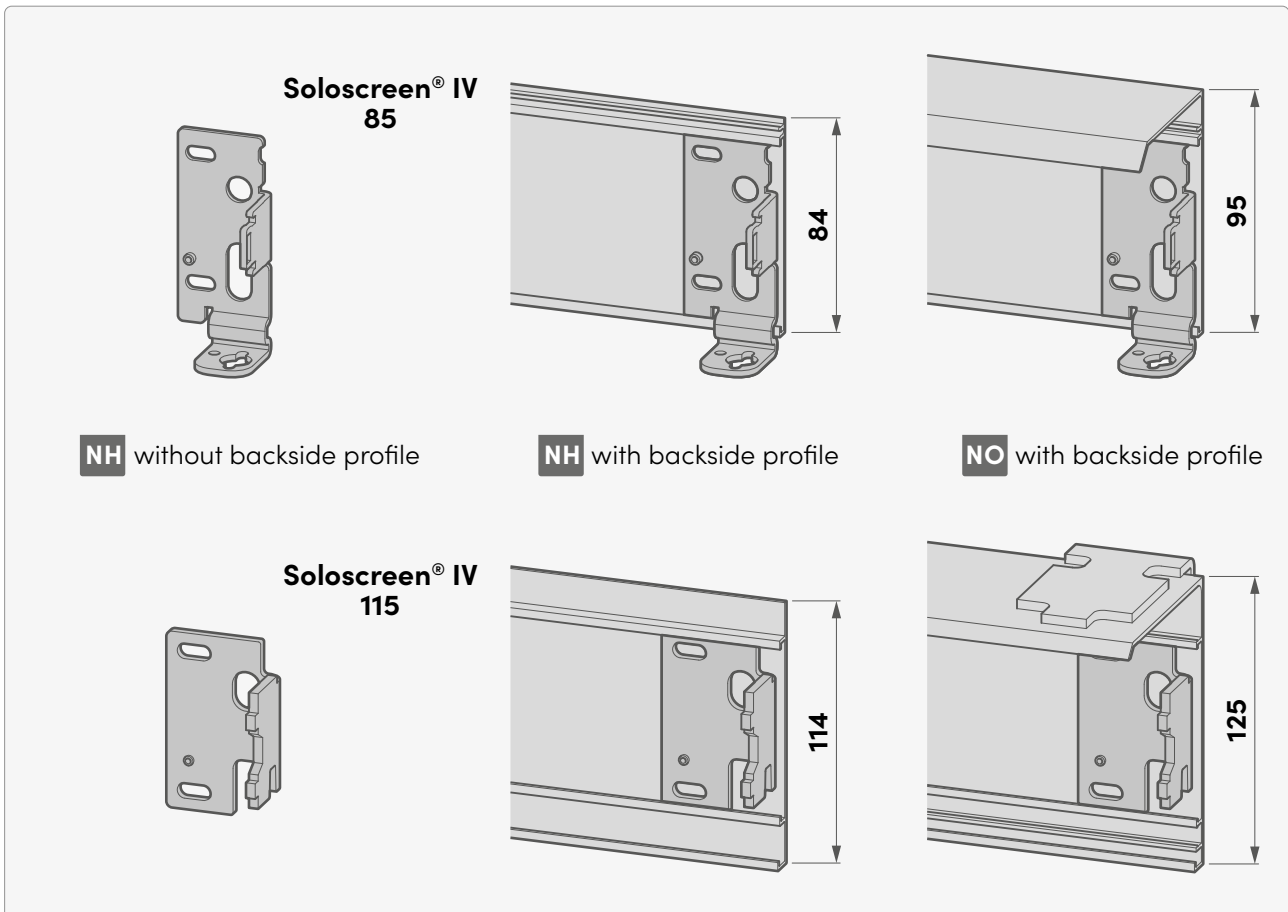


Backside profile, box fastenings

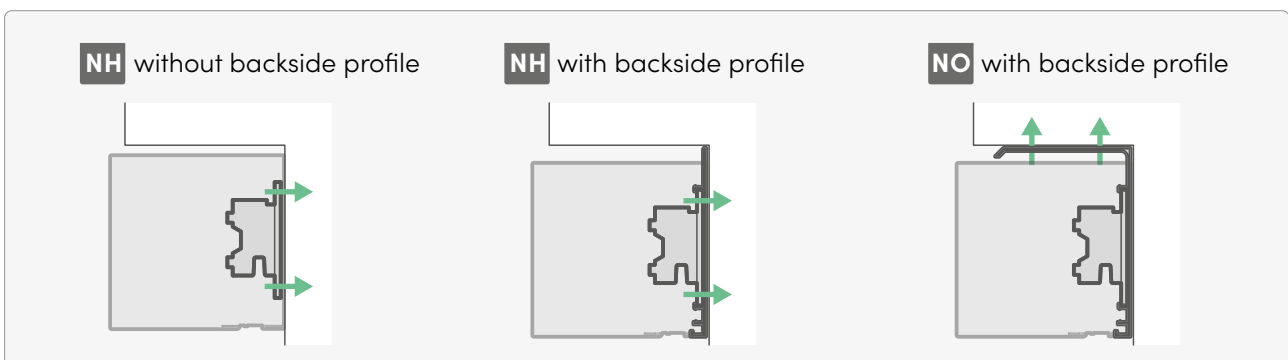
Backside profile, rail guide



Box fastenings, cable guide / slat guide



Mounting possibilities



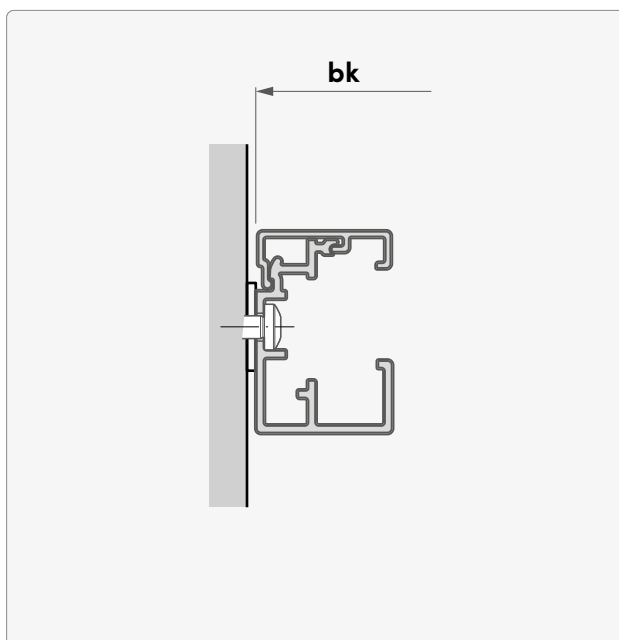
Guide rail fastenings

Overview

Type	A	B	Bd	C	Cd	E	F	G	H	I	T
Fixing on the side – for one guide	●	●	●	●	●	●	-	-	-	-	●
Fixing to the rear – for one guide	-	-	-	-	-	-	●	●	●	-	-
– for two guides	-	V	V	V	V	-	-	-	-	-	V

- applicable without restrictions

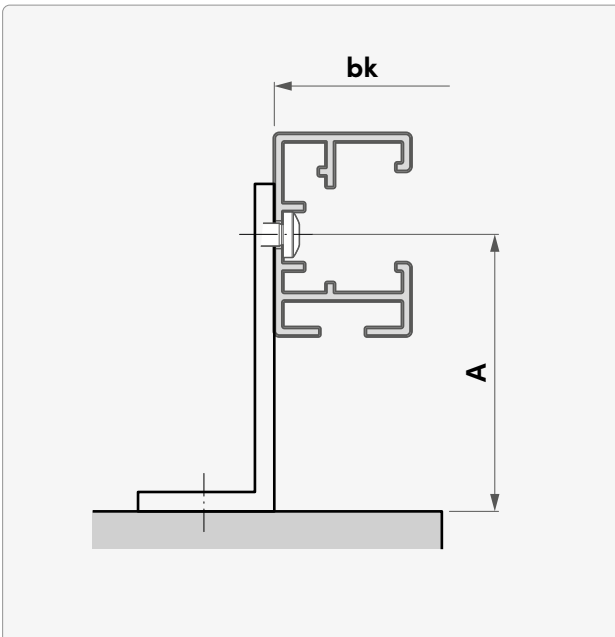
A Soffit installation



- i Observe possible guide rail spacer for **bk**. **Standard: 2 mm**

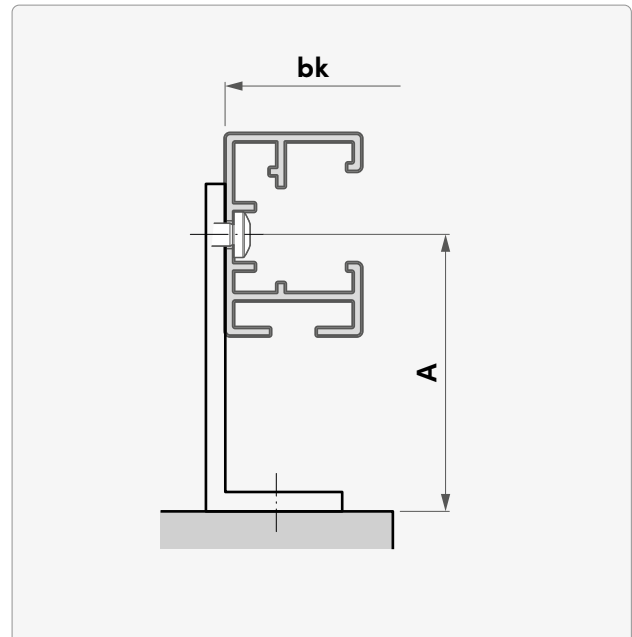
►► Guide rail fastenings

B Installation with fastening bracket



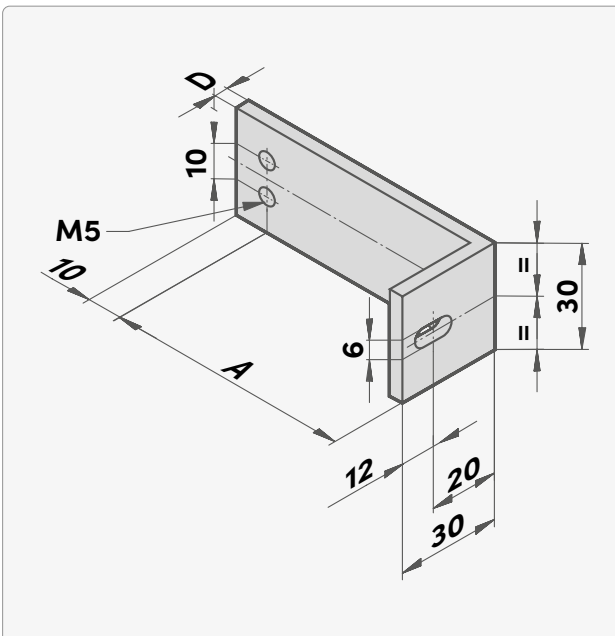
Bracket outwards

C Installation with fastening bracket



Bracket inwards

Fastening bracket 30 mm for types B and C

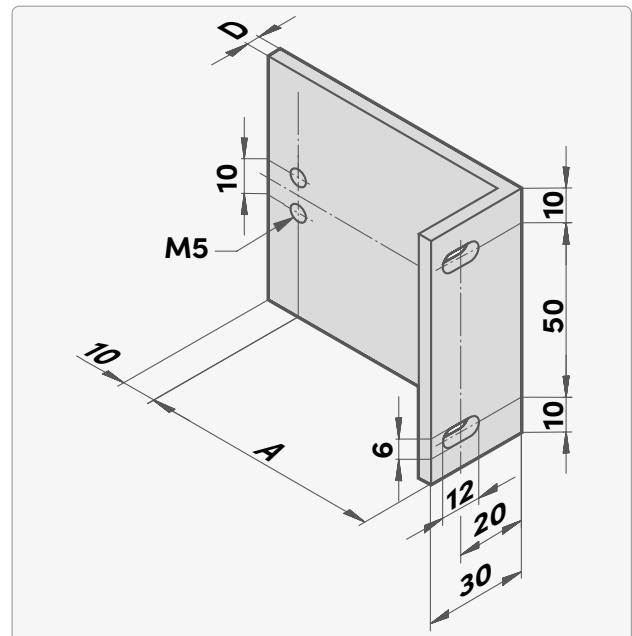


A*	D
20... 115	4

i For suspended guide rails always with **brackets 70 mm**.

* in 5 mm steps

Fastening bracket 70 mm for types B and C



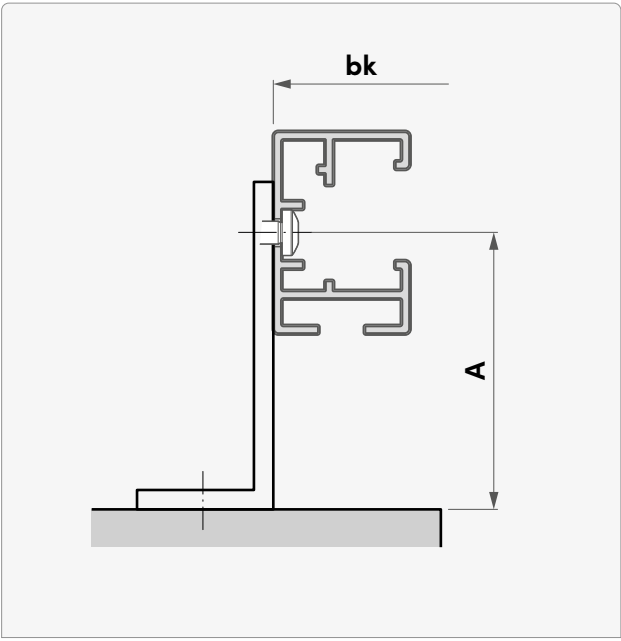
A*	D
20... 115	4
120... 215	5

i If the **projection is ≥ 120** , all products are fastened with a **70 mm bracket**.

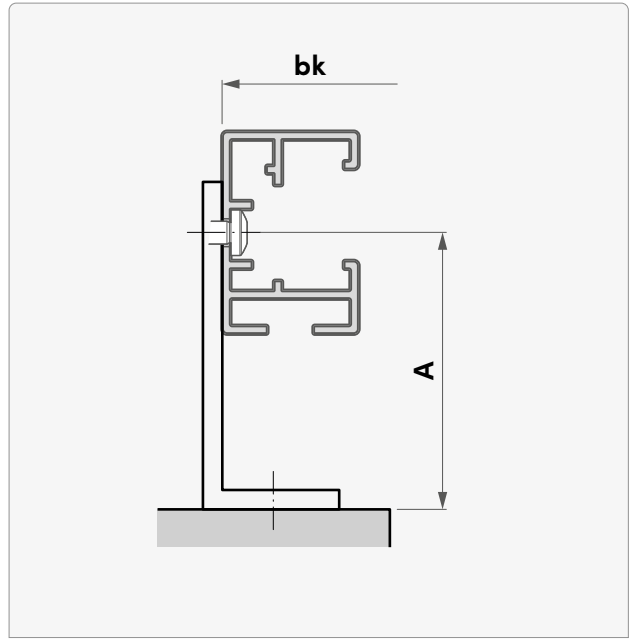
►► Guide rail fastenings

Bd Installation with continuous fastening bracket

Cd Installation with continuous fastening bracket

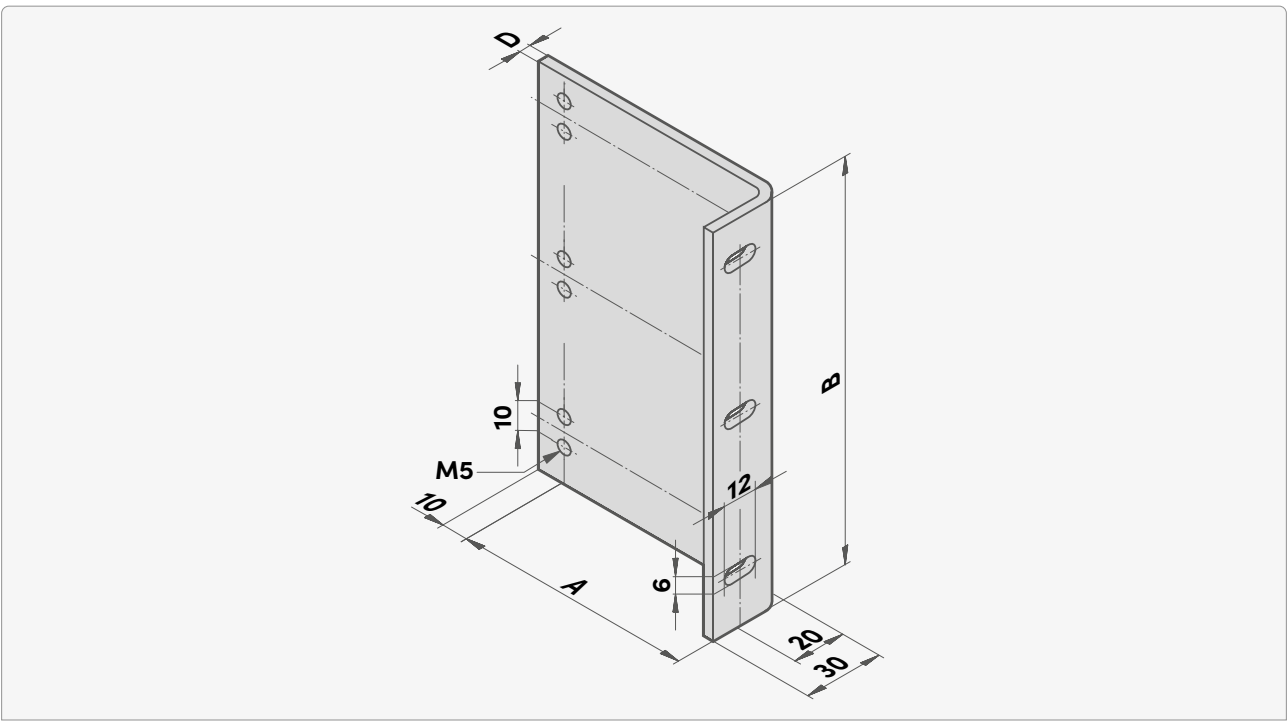


Bracket outwards



Bracket inwards

Continuous fastening bracket for types Bd and Cd

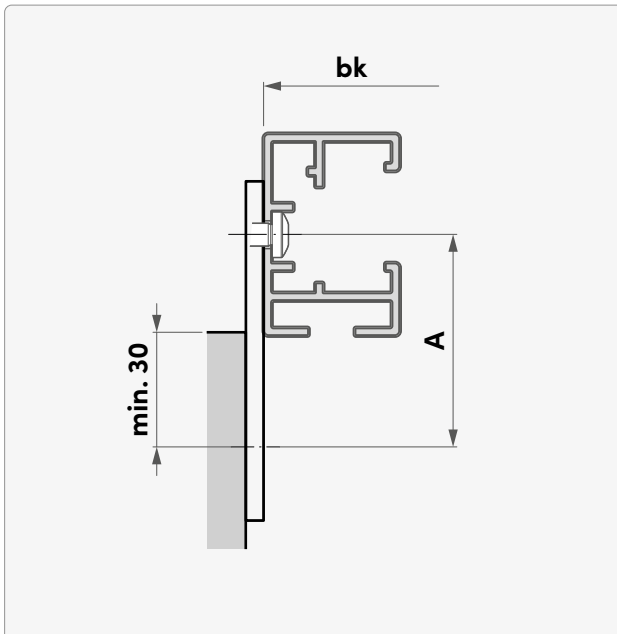


A*	D
20...215	4

* in 5 mm steps

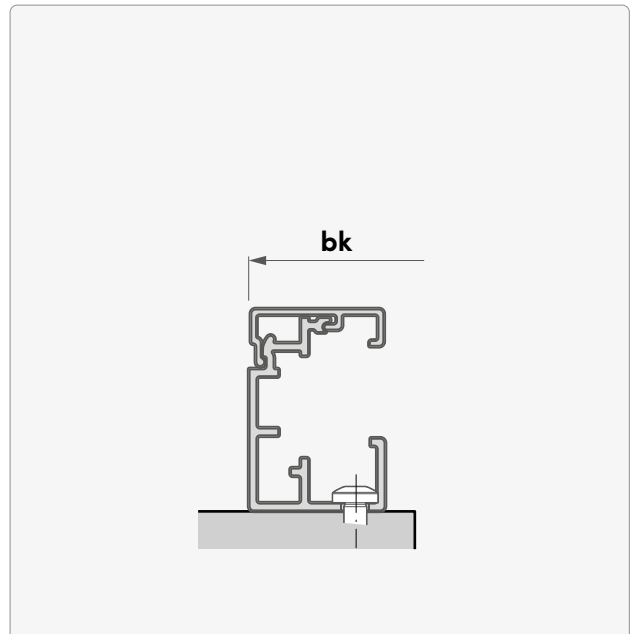
►► Guide rail fastenings

E Installation with fastening lug

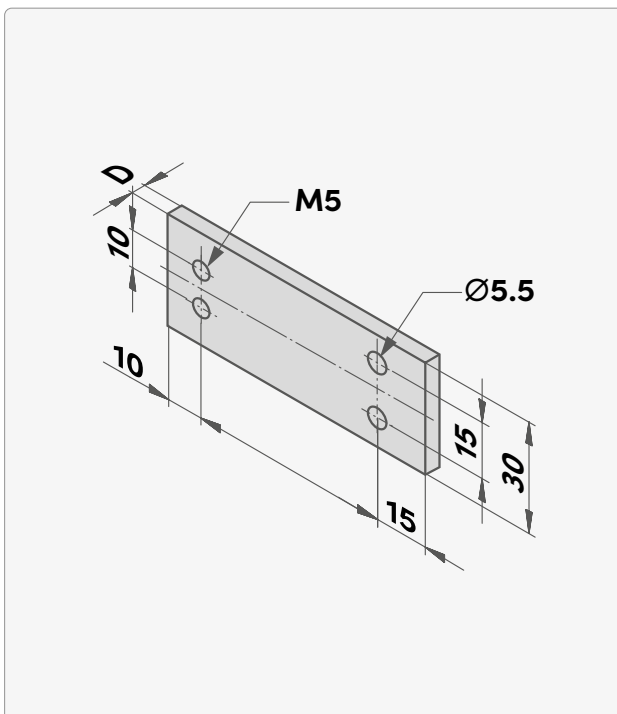


inwards / outwards

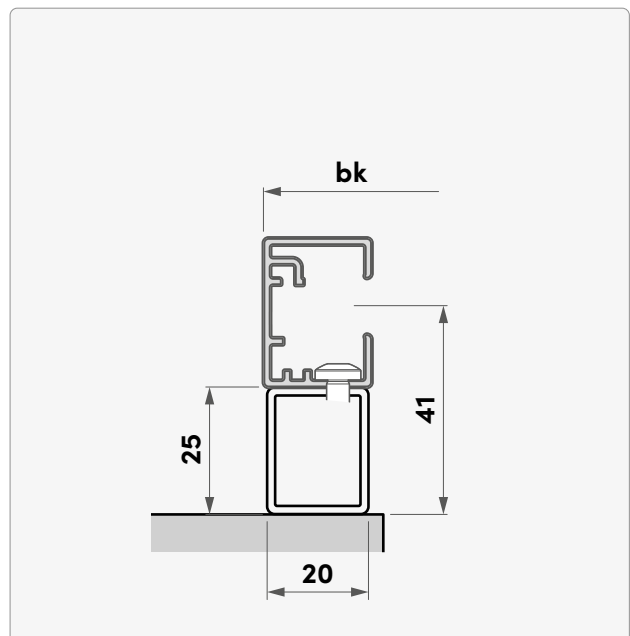
F Facade installation



Fastening lug 30 mm for type E



G Installation on pipe profile

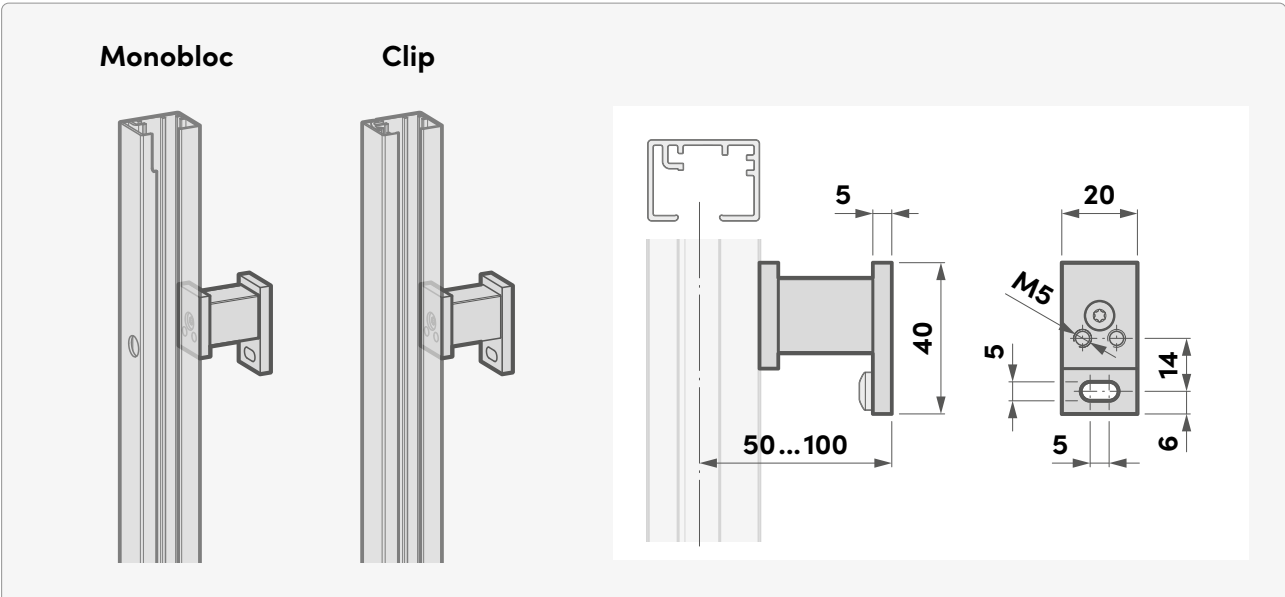


A*	D
50 ... 115	4
120 ... 125	5

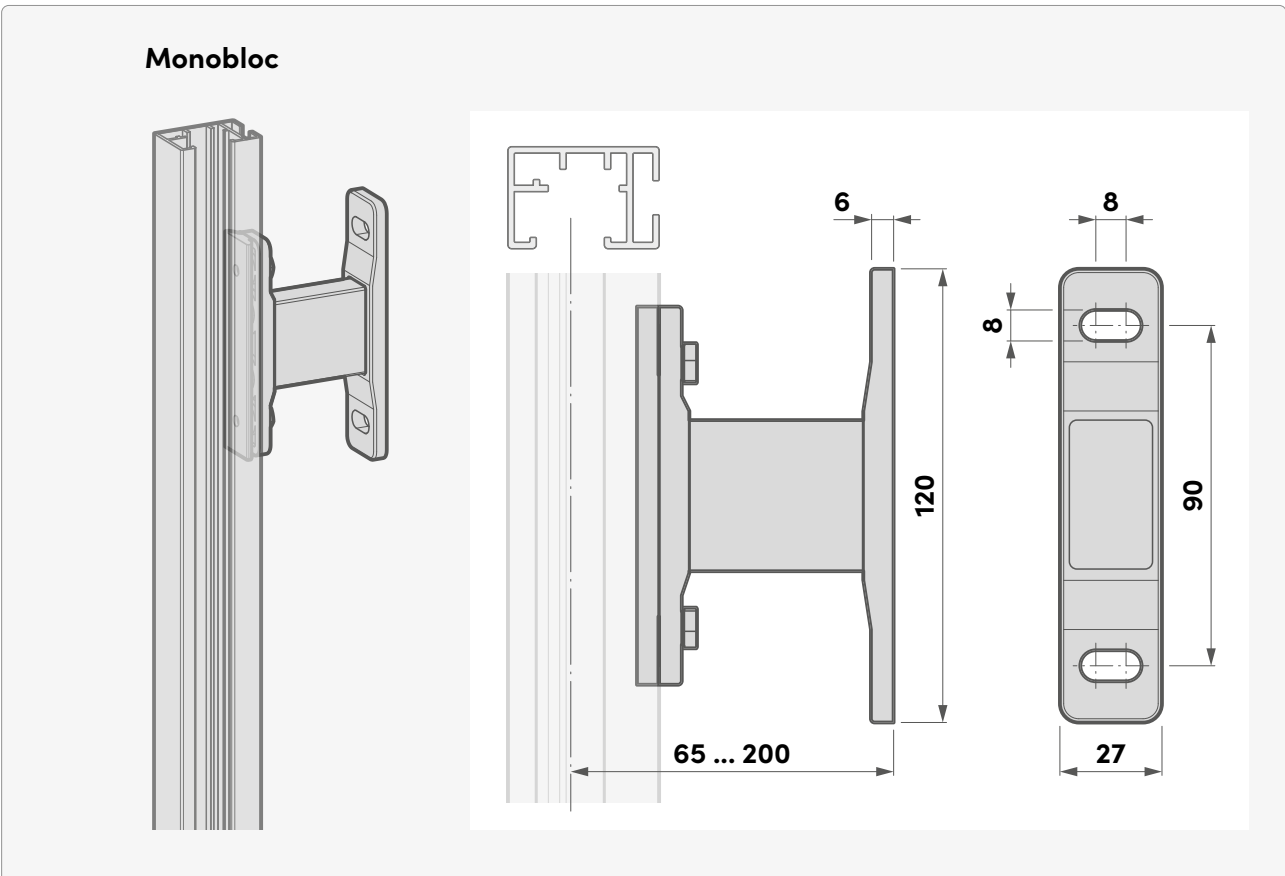
* in 5 mm steps

►► Guide rail fastenings

H Installation with spacer

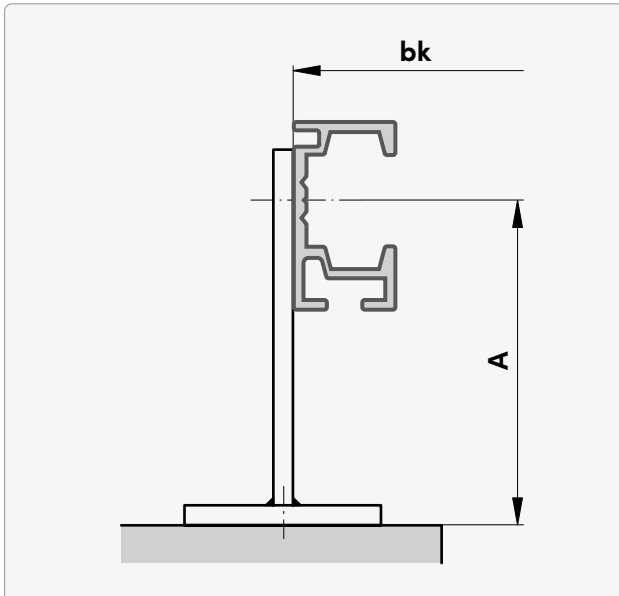


H Installation with spacer

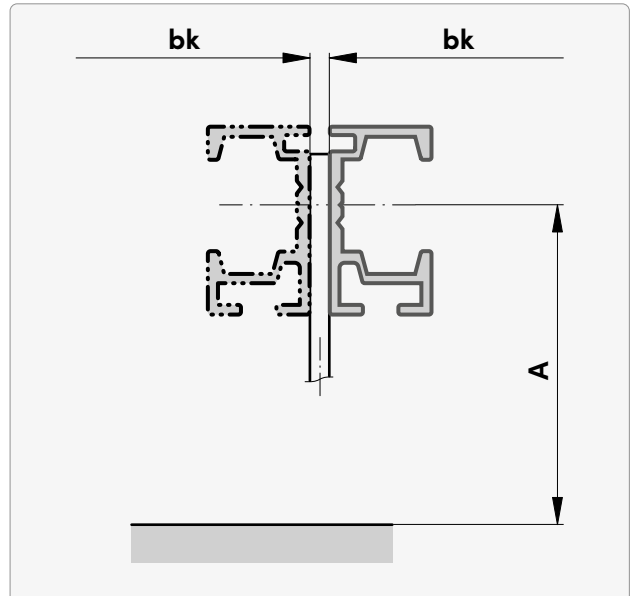


►► Guide rail fastenings

T Installation with T-bracket

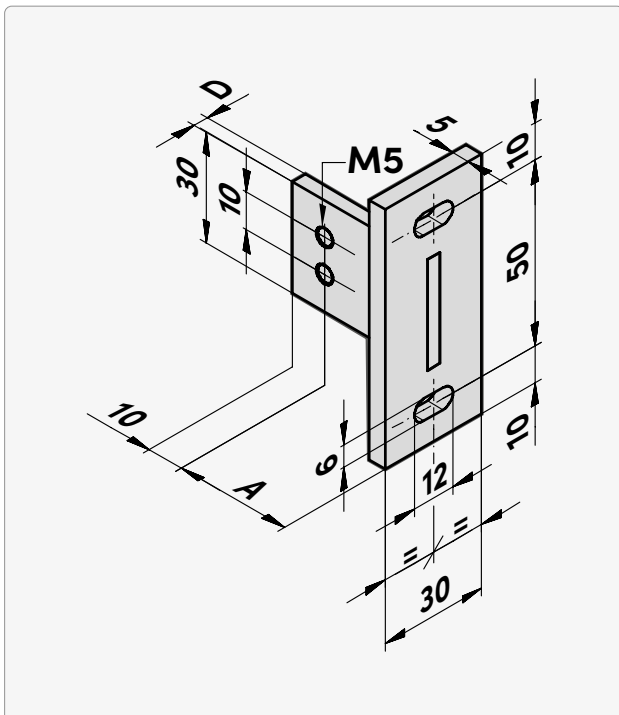


V Fixing to the guide fixing of the previous position



The blind on the right uses the fastening for the blind on the left.

T-bracket for type T

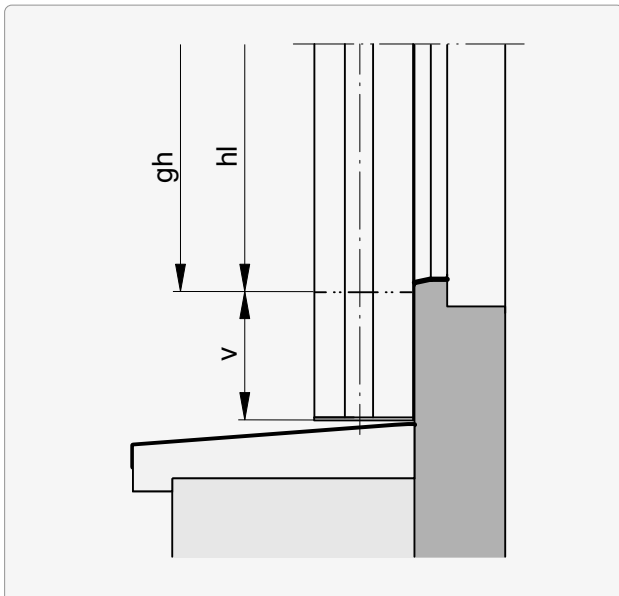


A*	D
50... 115	4
120... 215	5

* in 5 mm steps

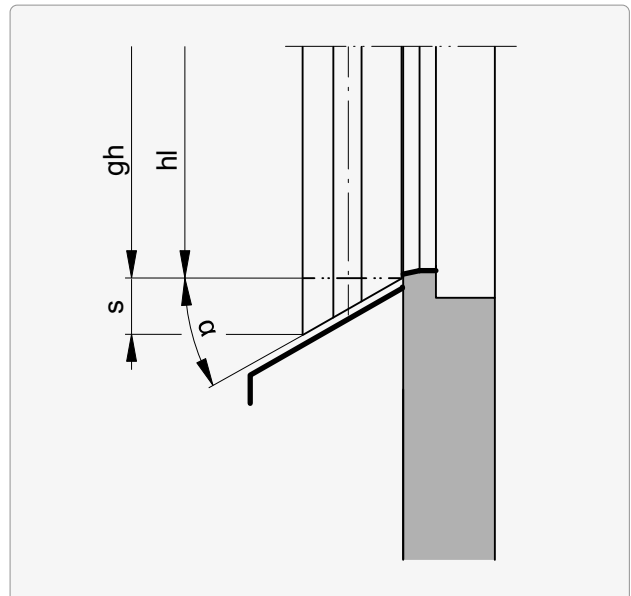
Guide extension and facet

Extension



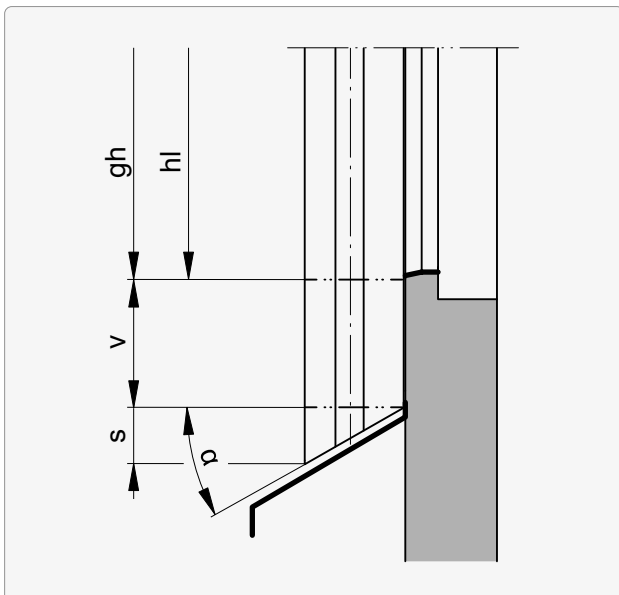
v
0...1000

Facet



α
1...60°

Extension and facet

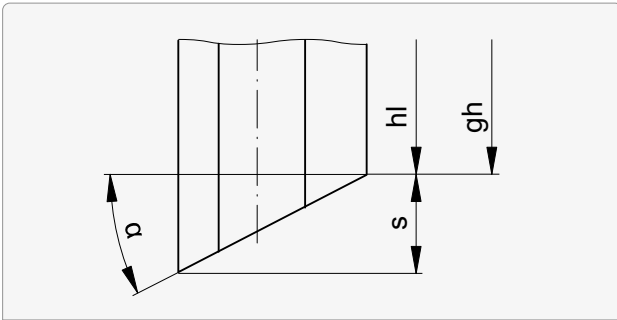


v
0...1000

α
1...60°

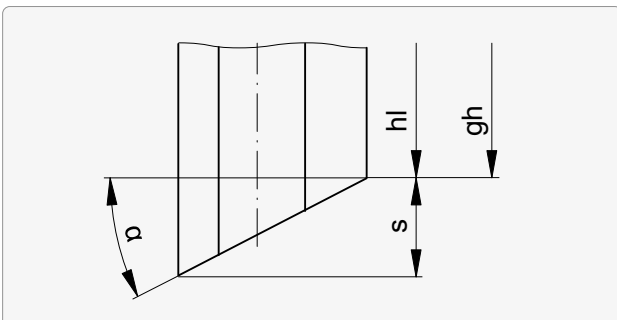
Angling at the guides

Solosreen® IV 85



S (mm)	α (°)	S (mm)	α (°)	S (mm)	α (°)
1	2	15	31	29	49
2	5	16	33	30	50
3	7	17	34	31	51
4	9	18	36	32	52
5	11	19	37	33	53
6	14	20	39	34	54
7	16	21	40	36	55
8	18	22	41	37	56
9	20	23	43	38	57
10	22	24	44	40	58
11	24	25	45	42	59
12	26	26	46	43	60
13	28	27	47		
14	29	28	48		

Solosreen® IV 115

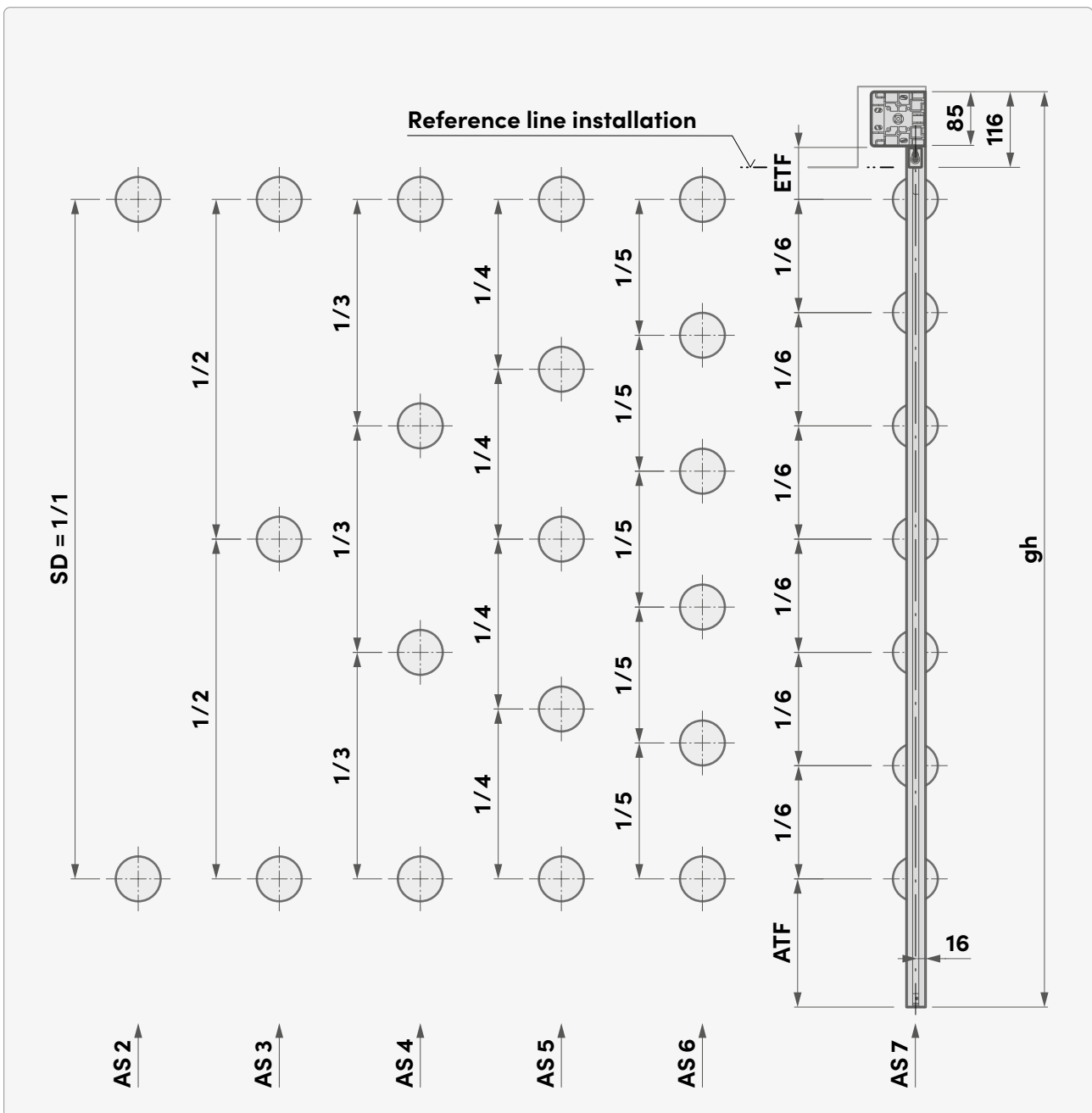


S (mm)	α (°)	S (mm)	α (°)	S (mm)	α (°)
1	2	19	27	38	45
2	3	20	28	39	46
3	5	21	29	41	47
4	6	22	30	42	48
5	7	23	31	44	49
6	9	24	32	45	50
7	10	25	33	47	51
8	12	26	34	49	52
9	13	27	35	50	53
10	15	28	36	52	54
11	16	29	37	54	55
12	18	30	38	56	56
13	19	31	39	59	57
14	20	32	40	61	58
15	22	33	41	63	59
16	23	34	42	66	60
17	24	35	43		
18	25	37	44		

Guide rail fastenings

Without extension

gh	ATF	ETF	AS
400...799	100	100	2
800...1099	200		2
1100...1799			3
1800...2499			4
2500...3199			5
3200...3899			6
3900...4000			7



AS Number of slits

ATF Initial spacing guide rail

ETF Endspacing guide rail

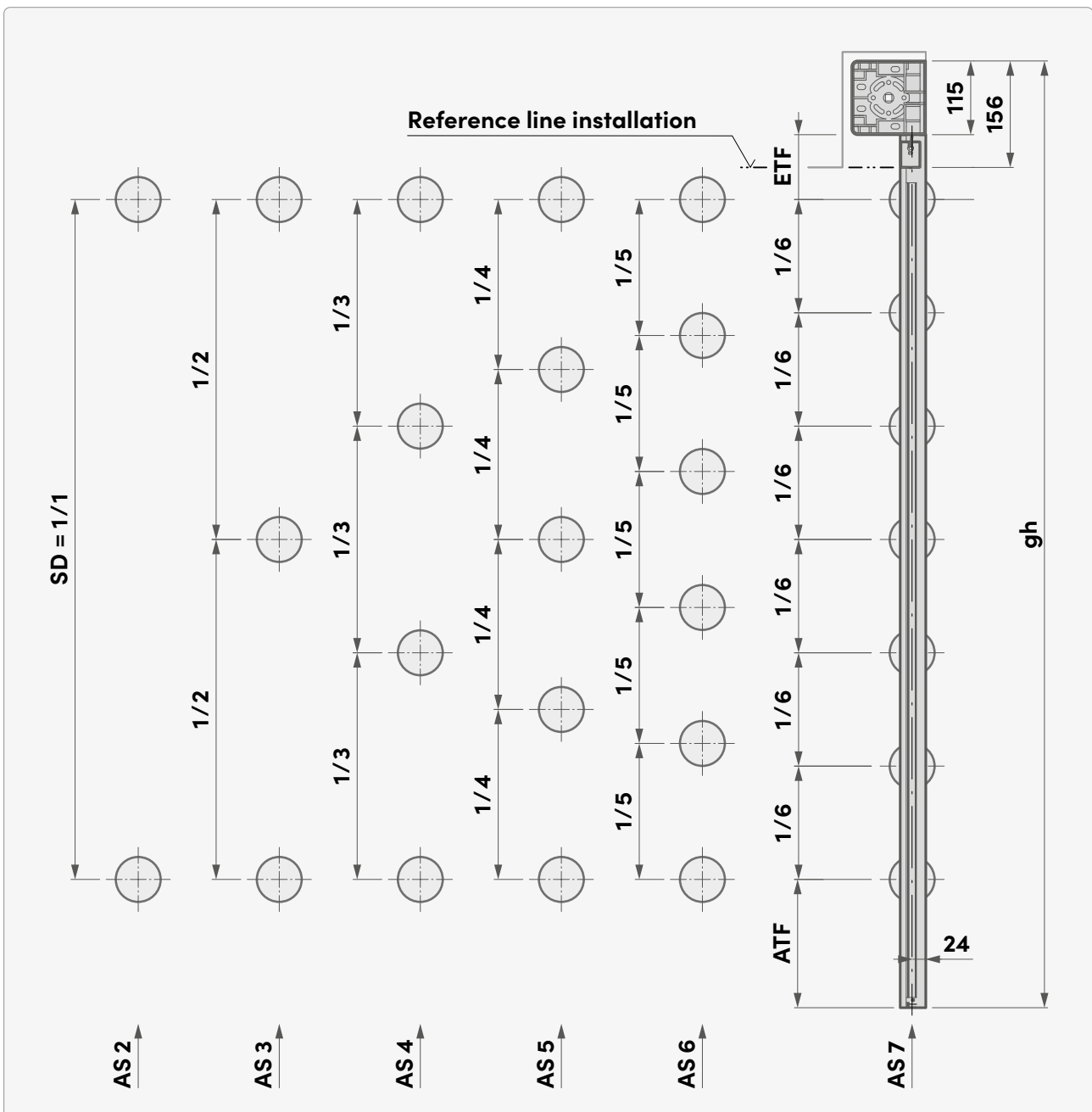
gh Total height

SD Slot spacing: max. 1000

▶▶ Guide rail fastenings

Without extension

gh	ATF	ETF	AS
400...799	100	100	2
800...1099	200		2
1100...1799			3
1800...2499			4
2500...3199			5
3200...3899			6
3900...4000			7



AS Number of slits

ATF Initial spacing guide rail

ETF Endspacing guide rail

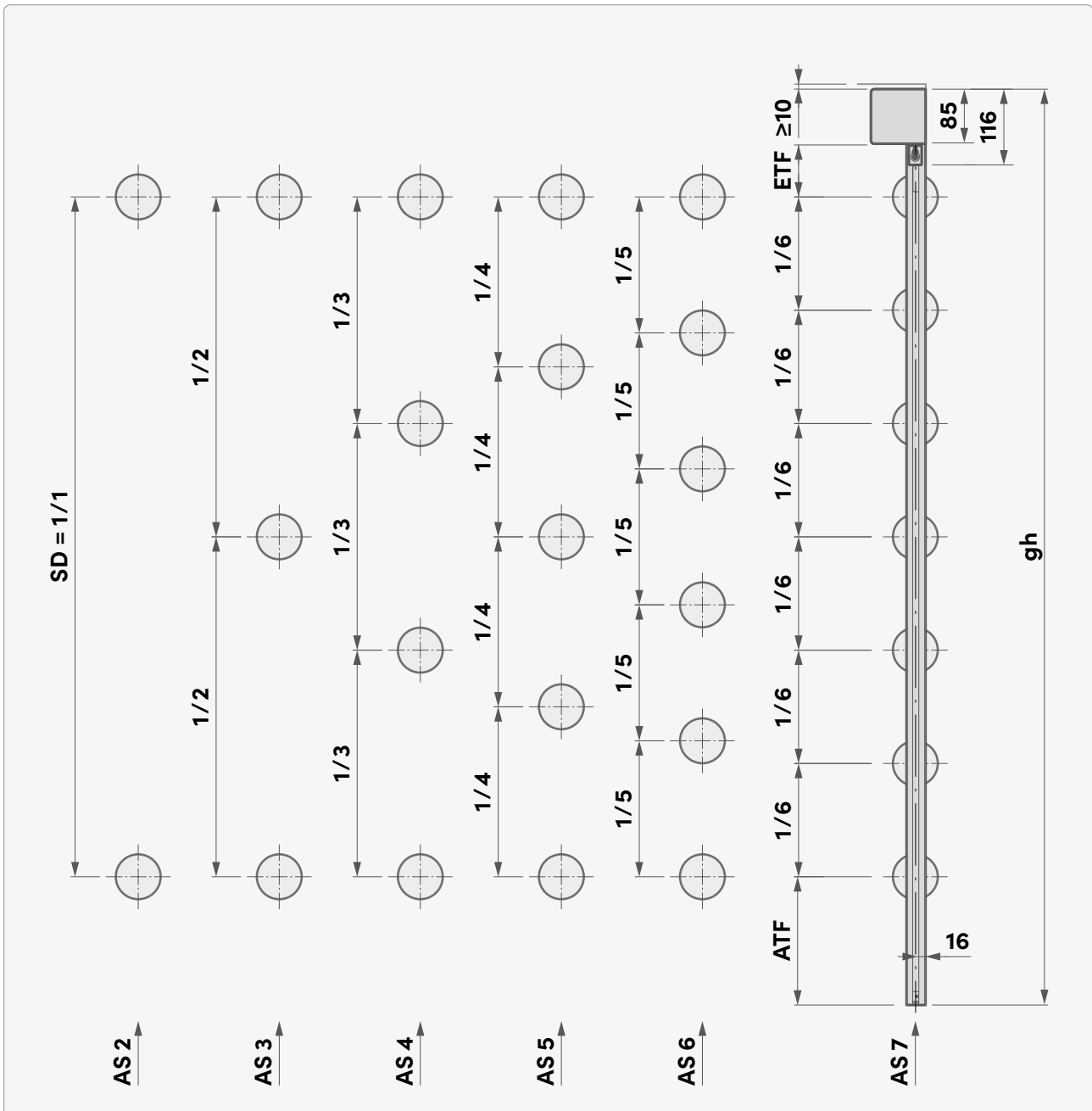
gh Total height

SD Slot spacing: max. 1000

►► Guide rail fastenings

Without extension

gh	ATF	ETF	AS
400...799	100	100	2
800...1099	200		2
1100...1799			3
1800...2499			4
2500...3199			5
3200...3899			6
3900...4000			7



AS Number of slits

ATF Initial spacing guide rail

ETF Endspacing guide rail

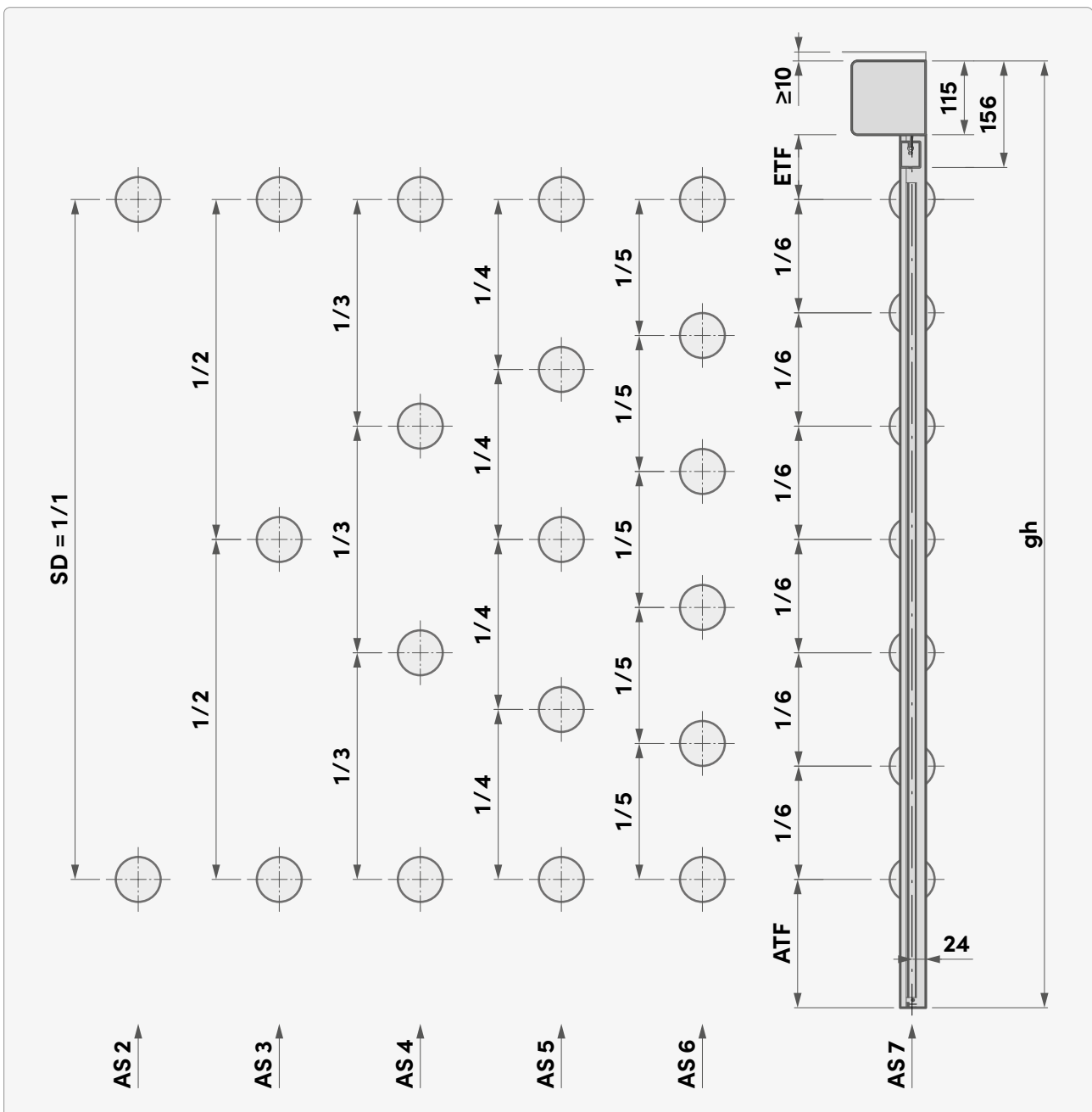
gh Total height

SD Slot spacing: max. 1000

►► Guide rail fastenings

Without extension

gh	ATF	ETF	AS
400...799	100	100	2
800...1099	200		2
1100...1799			3
1800...2499			4
2500...3199			5
3200...3899			6
3900...4000			7



AS Number of slits

ATF Initial spacing guide rail

ETF Endspacing guide rail

gh Total height

SD Slot spacing: max. 1000



Soloroll® II

Limit dimensions Soloroll® II Box 55 Soloroll® II Box 55 Fix	138
Limit dimensions Soloroll® II Box 70 Soloroll® II Box 70 Fix	139
Limit dimensions Soloroll® II Box 90 Soloroll® II Box 90 Fix	142
Limit dimensions Soloroll® II Box 105	145
Limit dimensions Soloroll® II 60 Soloroll® II 60 Fix	146
Limit dimensions Soloroll® II 80 Soloroll® II 80 Fix	147
Limit dimensions Soloroll® II 100	150
Style overview	151
Version with box	152
Version with bearing	153
Bottom rail	154

Rail guide

Guide rails	155
Guide rail fastenings (principle)	156

Cable guide

Guide cable fastenings	158
------------------------	------------

 For **indoor use** only.

Limit dimensions Soloroll® II Box 55 | Soloroll® II Box 55 Fix

Single awning



Chain

Polyester with PVC

Fabric collection	Tube	Width (bk)		Height (gh)		Surface [m ²]
		Ø 34		Ø 34		Ø 34
		min.	max.	min.	max.	max.
Soltis 99 / 99 LowE			2000		2700	2
Soltis B99 / B990 Blackout					1500	1.5
Soltis Touch 3% ¹	400		1500	300	1200	2
Soltis 86 / 92					1500	2
Soltis B92 Blackout					1400	1.5

i Cloth with **horizontal welding seam**, if:
gh > 1700

Polyester without PVC

Fabric collection	Tube	Width (bk)		Height (gh)		Surface [m ²]
		Ø 34		Ø 34		Ø 34
		min.	max.	min.	max.	max.
40818 Starlet Transparent			2400		2500	
40985 Starlet Blackout Color	400		2000	300	1500	2

i Cloth with **horizontal welding seam**, if:
gh > 2400

Fiberglass with PVC

Fabric collection	Tube	Width (bk)		Height (gh)		Surface [m ²]
		Ø 34		Ø 34		Ø 34
		min.	max.	min.	max.	max.
M-Screen ¹ 8501 / 8503 / 8505			1500		1500	
Screen Vision ¹ 1%, 3%, 5%, 10%			2200		1500	
Screen Thermic S2 3%, 5%	400		2200	300	1500	2
Soltis 7635 ² / Satiné 5500 ²			1500		1200	
Satiné 21154 Blackout ³		-	-	-	-	-

¹ Cloth with **vertical welding seam**

² Cloth with **horizontal welding seam**, if **gh > 2400**

³ Cloth with **horizontal welding seam**, if **gh > 1950**

! **Strangulation hazard!**

➔ Definitions of dimensions 274

Limit dimensions Soloroll® II Box 70 | Soloroll® II Box 70 Fix

Single awning



Chain

Polyester with PVC

Fabric collection	Tube	Width (bk)		Height (gh)		Surface [m ²]
		Ø 34		Ø 34		Ø 34
		min.	max.	min.	max.	max.
Soltis 99 / 99 LowE					3000	7
Soltis B99 / B990 Blackout					3000	3
Soltis Touch 3%		400	2400	300	2500	3.5
Soltis 86 / 92					2400	4
Soltis B92 Blackout					2800	3

i Cloth with **horizontal welding seam**, if:
gh > 1700

Polyester without PVC

Fabric collection	Tube	Width (bk)		Height (gh)		Surface [m ²]
		Ø 34		Ø 34		Ø 34
		min.	max.	min.	max.	max.
40818 Starlet Transparent			2400		3000	7
40985 Starlet Blackout Color		400	2000	300	3000	5.5

i Cloth with **horizontal welding seam**, if:
gh > 2400

Fiberglass with PVC

Fabric collection	Tube	Width (bk)		Height (gh)		Surface [m ²]
		Ø 34		Ø 34		Ø 34
		min.	max.	min.	max.	max.
M-Screen 8501 / 8503 / 8505			2200		3000	4
Screen Vision ¹ 1%, 3%, 5%, 10%			2400		3000	5.5
Screen Thermic S2 3%, 5%		400	2400	300	3000	5.5
Soltis 7635 ² / Satiné 5500 ²			2400		2500	3.5
Satiné 21154 Blackout ³			2200		2400	2.5

¹ Cloth with **vertical welding seam**

² Cloth with **horizontal welding seam**, if **gh > 2400**

³ Cloth with **horizontal welding seam**, if **gh > 1950**

! **Strangulation hazard!**

➔ Definitions of dimensions 274

►► **Limit dimensions Soloroll® II Box 70 | Soloroll® II Box 70 Fix**

Single awning

Crank

Polyester with PVC

Fabric collection	Tube	Width (bk)		Height (gh)		Surface [m ²]	
		min.	max.	min.	max.	Ø34	Ø48
Soltis 99 / 99 LowE			2800		3500**	3500**	9
Soltis B99 / B990 Blackout			2800***			2000	6 5*
Soltis Touch 3%	400	2400	2690 ¹	300	3000	1800	7 5.5
Soltis ¹ 86 / 92			2800			3000	5.5
Soltis B92 Blackout			2800***			2000	5.5

i Cloth with **horizontal welding seam**, if:
gh > 1700

Polyester without PVC

Fabric collection	Tube	Width (bk)		Height (gh)		Surface [m ²]	
		min.	max.	min.	max.	Ø34	Ø48
40818 Starlet Transparent			2400		3500**	3500**	9
40985 Starlet Blackout Color	400		2000	300	3000	2000	7 5.5

i Cloth with **horizontal welding seam**, if:
gh > 2400

Fiberglass with PVC

Fabric collection	Tube	Width (bk)		Height (gh)		Surface [m ²]	
		min.	max.	min.	max.	Ø34	Ø48
M-Screen ¹ 8501 / 8503 / 8505			2200	2490 ¹		2000	7
Screen Vision ¹ 1%, 3%, 5%, 10%			2400	2490 ¹		2000	7
Screen Thermic S2 3%, 5%	400		2400	2800	300	3000	2000 7 5.5
Soltis 7635 ² / Satiné 5500 ²			2400	2800		1800	7
Satiné 21154 Blackout ³			2200	2800		2400	1500 5 4

¹ Cloth with **vertical welding seam**

² Cloth with **horizontal welding seam**, if **gh > 2400**

³ Cloth with **horizontal welding seam**, if **gh > 1950**

* Version Fix

** 3000 Version Fix

*** 2400 Version Fix

►► Limit dimensions Soloroll® II Box 70 | Soloroll® II Box 70 Fix

Single awning

Motor

Polyester with PVC

Fabric collection	Tube	Width (bk)		Height (gh)		Surface [m ²]
		Ø48		Ø48		Ø48
		min.	max.	min.	max.	max.
Soltis 99 / 99 LowE			2800		3500 3000*	9
Soltis B99 / B990 Blackout			2800 2400*		2000	
Soltis Touch 3%	470		2690 ¹	300	1800	5.5
Soltis ¹ 86 / 92			2800		2000	
Soltis B92 Blackout			2800 2400*		2000	

i Cloth with **horizontal welding seam**, if:
gh > 1700

Polyester without PVC

Fabric collection	Tube	Width (bk)		Height (gh)		Surface [m ²]
		Ø48		Ø48		Ø48
		min.	max.	min.	max.	max.
40818 Starlet Transparent			2400		3500 3000*	9
40985 Starlet Blackout Color	470		2400	300	2500	5.5

i Cloth with **horizontal welding seam**, if:
gh > 2400

Fiberglass with PVC

Fabric collection	Tube	Width (bk)		Height (gh)		Surface [m ²]
		Ø48		Ø48		Ø48
		min.	max.	min.	max.	max.
M-Screen 8501 / 8503 / 8505			2490 ¹		2000	
Screen Vision ¹ 1%, 3%, 5%, 10%			2490		2500	
Screen Thermic S2 3%, 5%	470		2800	300	2500	5.5
Soltis 7635 ² / Satiné 5500 ²			2800		1800	
Satiné 21154 Blackout ³			2800		1500	4

¹ Cloth with **vertical welding seam**

² Cloth with **horizontal welding seam**, if **gh > 2400**

³ Cloth with **horizontal welding seam**, if **gh > 1950**

* Version Fix

Limit dimensions Soloroll® II Box 90 | Soloroll® II Box 90 Fix

Single awning



Chain

Polyester with PVC

Fabric collection	Tube	Width (bk)		Height (gh)			Surface [m ²]		
		min.	max.	min.	max.		max.	max.	
					Ø48	Ø60			Ø48
Soltis 99 / 99 LowE			2800	3000			8	8	
Soltis B99 / B990 Blackout			2800	3000			3.5	3.5	
Soltis Touch 3%	400		2690 ¹	-	300	3000	3000	4	-
Soltis 86 / 92			2800	3000			5	5	
Soltis B92 Blackout			2800	3000			3.5	3.5	

i Cloth with **horizontal welding seam**, if:
gh > 1700

Polyester without PVC

Fabric collection	Tube	Width (bk)		Height (gh)			Surface [m ²]		
		min.	max.	min.	max.		max.	max.	
					Ø48	Ø60			Ø48
40818 Starlet Transparent							8	8	
40985 Starlet Blackout Color	400		2400	2400	300	3000	3000	7	7

i Cloth with **horizontal welding seam**, if:
gh > 2400

Fiberglass with PVC

Fabric collection	Tube	Width (bk)		Height (gh)			Surface [m ²]		
		min.	max.	min.	max.		max.	max.	
					Ø48	Ø60			Ø48
M-Screen ¹ 8501 / 8503 / 8505			2490 ¹	-			-	5	-
Screen Vision ¹ 1%, 3%, 5%, 10%			2490	-			-	7	-
Screen Thermic S2 3%, 5%	400		2800	3000	300	3000	3000	7	7
Soltis 7635 ² / Satiné 5500 ²			2800	3000			3000	4	4
Satiné 21154 Blackout ³			2800	3000			3000	3	3

¹ Cloth with **vertical welding seam**

² Cloth with **horizontal welding seam**, if **gh > 2400**

³ Cloth with **horizontal welding seam**, if **gh > 1950**

! **Strangulation hazard!**

►► Limit dimensions Soloroll® II Box 90 | Soloroll® II Box 90 Fix

Single awning

Crank

Polyester with PVC

Fabric collection	Tube	Width (bk)		Height (gh)			Surface [m ²]		
		min.	max.	min.	max.**		max.	max.	
					Ø48	Ø60			Ø48
Soltis 99 / 99 LowE			2800	3200			9	9	
Soltis B99 / B990 Blackout			2800	3200			6	5	
Soltis Touch 3%	400		2690 ¹	-	300	3500	3500	9 8*	-
Soltis 86 / 92			2800	3200			9 8*	7.5	
Soltis B92 Blackout			2800	3200			6	5	

i Cloth with **horizontal welding seam**, if:
gh > 1700

Polyester without PVC

Fabric collection	Tube	Width (bk)		Height (gh)			Surface [m ²]		
		min.	max.	min.	max.		max.	max.	
					Ø48	Ø60			Ø48
40818 Starlet Transparent									
40985 Starlet Blackout Color	400		2400	2400	300	3500	3500	9	9

i Cloth with **horizontal welding seam**, if:
gh > 2400

Fiberglass with PVC

Fabric collection	Tube	Width (bk)		Height (gh)			Surface [m ²]		
		min.	max.	min.	max.		max.	max.	
					Ø48	Ø60			Ø48
M-Screen ¹ 8501 / 8503 / 8505			2490 ¹	-			-	9 8*	-
Screen Vision ¹ 1%, 3%, 5%, 10%			2490	-			-	9	-
Screen Thermic S2 3%, 5%	400		2800	3200	300	3500	3500	9	9
Soltis 7635 ² / Satiné 5500 ²			2800	3200			3500	9 8*	7.5
Satiné 21154 Blackout ³			2800	3200			2800	6.5	4.5

¹ Cloth with **vertical welding seam**

² Cloth with **horizontal welding seam**, if **gh > 2400**

³ Cloth with **horizontal welding seam**, if **gh > 1950**

* Version Fix

** 3000 Version Fix

►► **Limit dimensions Soloroll® II Box 90 | Soloroll® II Box 90 Fix**

Single awning

Motor

Polyester with PVC

Fabric collection	Tube	Width (bk)		Height (gh)		Surface [m ²]			
		min.	max.	min.	max.**	max.	max.		
								Ø48	Ø60
Soltis 99 / 99 LowE			2800	3200		4500	4500	9	9
Soltis B99 / B990 Blackout			2800	3200		4500	3500	9 6.5*	9 6.5*
Soltis Touch 3%	400		2690 ¹	-	300	3500	-	9 8*	-
Soltis 86 / 92			2800	3200		3500	3500	9 8*	9 8*
Soltis B92 Blackout			2800	3200		4500	3500	9 6.5*	9 6.5*

i Cloth with **horizontal welding seam**, if:
gh > 1700

Polyester without PVC

Fabric collection	Tube	Width (bk)		Height (gh)		Surface [m ²]			
		min.	max.	min.	max.	max.	max.		
								Ø48	Ø60
40818 Starlet Transparent						4500	4500		
40985 Starlet Blackout Color	400		2400	2400	300	4000	4000	9	9

i Cloth with **horizontal welding seam**, if:
gh > 2400

Fiberglass with PVC

Fabric collection	Tube	Width (bk)		Height (gh)		Surface [m ²]			
		min.	max.	min.	max.	max.	max.		
								Ø48	Ø60
M-Screen ¹ 8501 / 8503 / 8505			2490 ¹	-		3500	-	9 8*	-
Screen Vision ¹ 1%, 3%, 5%, 10%			2490	-		4500	-	9	-
Screen Thermic S2 3%, 5%	400		2800	3200	300	4500	4500	9	9
Soltis 7635 ² / Satiné 5500 ²			2800	3200		3500	3200	9 8*	9 8*
Satiné 21154 Blackout ³			2800	3200 ^{***}		3500	2600	9 6*	8 6*

¹ Cloth with **vertical welding seam**

² Cloth with **horizontal welding seam**, if **gh > 2400**

³ Cloth with **horizontal welding seam**, if **gh > 1950**

* Version Fix

** 3000 Version Fix

*** 2800 Version Fix

Limit dimensions Soloroll® II Box 105

Single awning

Motor

Polyester with PVC

Fabric collection	Tube	Width (bk)		Height (gh)		Surface [m ²]
		Ø78		Ø78		Ø78
		min.	max.	min.	max.	max.
Soltis 99 / 99 LowE			4000		4500	
Soltis B99 / B990 Blackout			4000		4000	
Soltis Touch 3%	470		2690 ¹	300	3000	12
Soltis 86 / 92			4000		4000	
Soltis B92 Blackout			4000		4000	

i Cloth with **horizontal welding seam**, if:
gh > 1700

Polyester without PVC

Fabric collection	Tube	Width (bk)		Height (gh)		Surface [m ²]
		Ø78		Ø78		Ø78
		min.	max.	min.	max.	max.
40818 Starlet Transparent			2400		4500	
40985 Starlet Blackout Color	470		2400	300	4000	12

i Cloth with **horizontal welding seam**, if:
gh > 2400

Fiberglass with PVC

Fabric collection	Tube	Width (bk)		Height (gh)		Surface [m ²]
		Ø78		Ø78		Ø78
		min.	max.	min.	max.	max.
M-Screen 8501 / 8503 / 8505			2490 ¹		4000	
Screen Vision ¹ 1%, 3%, 5%, 10%			2490		4500	
Screen Thermic S2 3%, 5%	470		4000	300	4500	12
Soltis 7635 ² / Satiné 5500 ²			4000		3000	
Satiné 21154 Blackout ³			4000		3000	

¹ Cloth with **vertical welding seam**

² Cloth with **horizontal welding seam**, if **gh > 2400**

³ Cloth with **horizontal welding seam**, if **gh > 1950**

Limit dimensions Soloroll® II 60 | Soloroll® II 60 Fix

Single awning



Chain

Polyester with PVC

Fabric collection	Tube	Width (bk)		Height (gh)		Surface [m ²]
		Ø 34		Ø 34		Ø 34
		min.	max.	min.	max.	max.
Soltis 99 / 99 LowE			2000		2700	2
Soltis B99 / B990 Blackout					1500	1.5
Soltis Touch 3%	400		1500	300	1200	2
Soltis 86 / 92					1500	2
Soltis B92 Blackout					1400	1.5



Cloth with **horizontal welding seam**, if:
gh > 1700

Polyester without PVC

Fabric collection	Tube	Width (bk)		Height (gh)		Surface [m ²]
		Ø 34		Ø 34		Ø 34
		min.	max.	min.	max.	max.
40818 Starlet Transparent			2400		2500	
40985 Starlet Blackout Color	400		2000	300	1500	2



Cloth with **horizontal welding seam**, if:
gh > 2400

Fiberglass with PVC

Fabric collection	Tube	Width (bk)		Height (gh)		Surface [m ²]
		Ø 34		Ø 34		Ø 34
		min.	max.	min.	max.	max.
M-Screen 8501 / 8503 / 8505			1500		1500	
Screen Vision ¹ 1%, 3%, 5%, 10%			2200		1500	
Screen Thermic S2 3%, 5%	400		2200	300	1500	2
Soltis 7635 ² / Satiné 5500 ²			1500		1200	
Satiné 21154 Blackout ³			-		-	-

¹ Cloth with **vertical welding seam**

² Cloth with **horizontal welding seam**, if **gh > 2400**

³ Cloth with **horizontal welding seam**, if **gh > 1950**



Strangulation hazard!

➡ Definitions of dimensions 274

Limit dimensions Soloroll® II 80 | Soloroll® II 80 Fix

Single awning



Chain

Polyester with PVC

Fabric collection	Tube	Width (bk)			Height (gh)			Surface [m ²]				
		min.	Ø34	Ø48	Ø60	min.	max.	Ø34	Ø48	Ø60		
Soltis 99 / 99 LowE				2800	3000			3000	3000	7	8	8
Soltis B99 / B990 Blackout				2800	3000			3000	3000	3	3.5	3.5
Soltis Touch 3%	400	2400	2690 ¹	-	300	2500	3000	-		3.5	4	-
Soltis 86 / 92				2800	3000			3000	3000	4	5	5
Soltis B92 Blackout				2800	3000			2800	3000	3	3.5	3.5

i Cloth with **horizontal welding seam**, if:
gh > 1700

Polyester without PVC

Fabric collection	Tube	Width (bk)			Height (gh)			Surface [m ²]						
		min.	Ø34	Ø48	Ø60	min.	max.	Ø34	Ø48	Ø60				
40818 Starlet Transparent			2400	2400	2400			3000	3000	3000	3000	7	8	8
40985 Starlet Blackout Color	400	2000				300	3000	3000	3000			5.5	7	7

i Cloth with **horizontal welding seam**, if:
gh > 2400

Fiberglass with PVC

Fabric collection	Tube	Width (bk)			Height (gh)			Surface [m ²]						
		min.	Ø34	Ø48	Ø60	min.	max.	Ø34	Ø48	Ø60				
M-Screen ¹ 8501 / 8503 / 8505			2200	2490	-			3000	-			4	5	-
Screen Vision ¹ 1%, 3%, 5%, 10%			2400	2490	-			3000	-			5.5	7	-
Screen Thermic S2 3%, 5%	400	2400	2800	3000	300	3000	3000	3000				5.5	7	7
Soltis 7635 ² / Satiné 5500 ²			2400	2800	3000			2500	3000			3.5	4	4
Satiné 21154 Blackout ³			2200	2800	3000			2400	3000			2.5	3	3

¹ Cloth with **vertical welding seam**

² Cloth with **horizontal welding seam**, if **gh > 2400**

³ Cloth with **horizontal welding seam**, if **gh > 1950**

! **Strangulation hazard!**

➔ Definitions of dimensions 274

►► **Limit dimensions Soloroll® II 80 | Soloroll® II 80 Fix**

Single awning

Crank

Polyester with PVC

Fabric collection	Tube	Width (bk)			Height (gh)			Surface [m ²]			
		min.	Ø34	Ø48	Ø60	min.	max.	Ø60	Ø34	Ø48	max.
			max.								
Soltis 99 / 99 LowE			2800	3200		3500	3500		9	9	
Soltis B99 / B990 Blackout			2800	3200			3500		6	5	
Soltis Touch 3%	400	2400	2690 ¹	-	300	3000	3500	-	7	9 8*	-
Soltis 86 / 92			2800	3200			3500		9	8*	7.5
Soltis B92 Blackout			2800	3200			3500		6	5	

i Cloth with **horizontal welding seam**, if:
gh > 1700

Polyester without PVC

Fabric collection	Tube	Width (bk)			Height (gh)			Surface [m ²]				
		min.	Ø34	Ø48	Ø60	min.	max.	Ø60	Ø34	Ø48	max.	
			max.									
40818 Starlet Transparent			2400			3500			7	9	9	
40985 Starlet Blackout Color	400		2000	2400	2400	300	3000	3500	3500	7	9	9

i Cloth with **horizontal welding seam**, if:
gh > 2400

Fiberglass with PVC

Fabric collection	Tube	Width (bk)			Height (gh)			Surface [m ²]				
		min.	Ø34	Ø48	Ø60	min.	max.	Ø60	Ø34	Ø48	max.	
			max.									
M-Screen ¹ 8501 / 8503 / 8505			2200	2490 ¹	-			-		9 8*	-	
Screen Vision ¹ 1%, 3%, 5%, 10%			2400	2490	-			-		9	-	
Screen Thermic S2 3%, 5%	400		2400	2800	3200	300	3000	3500	3500	7	9	9
Soltis 7635 ² / Satiné 5500 ²			2400	2800	3200			3500		9	8*	7.5
Satiné 21154 Blackout ³			2200	2800	3200		2400	2800		5	6.5	4.5

¹ Cloth with **vertical welding seam**

² Cloth with **horizontal welding seam**, if **gh > 2400**

³ Cloth with **horizontal welding seam**, if **gh > 1950**

* Version Fix

►► Limit dimensions Soloroll® II 80 | Soloroll® II 80 Fix

Single awning

Motor

Polyester with PVC

Fabric collection	Tube	Width (bk)		Height (gh)		Surface [m ²]			
		min.	max.	min.	max.**	max.	max.		
								Ø48	Ø60
Soltis 99 / 99 LowE			2800	3200		4500	4500	9	9
Soltis B99 / B990 Blackout			2800	3200		4500	3500	9 6.5*	9 6.5*
Soltis Touch 3%	470		2690 ¹	-	300	3500	-	9 8*	-
Soltis 86 / 92			2800	3200		3500	3500	9 8*	9 8*
Soltis B92 Blackout			2800	3200		4500	3500	9 6.5*	9 6.5*

i Cloth with **horizontal welding seam**, if:
gh > 1700

Polyester without PVC

Fabric collection	Tube	Width (bk)		Height (gh)		Surface [m ²]			
		min.	max.	min.	max.	max.	max.		
								Ø48	Ø60
40818 Starlet Transparent						4500	4500		
40985 Starlet Blackout Color	470		2400	2400	300	4000	4000	9	9

i Cloth with **horizontal welding seam**, if:
gh > 2400

Fiberglass with PVC

Fabric collection	Tube	Width (bk)		Height (gh)		Surface [m ²]			
		min.	max.	min.	max.	max.	max.		
								Ø48	Ø60
M-Screen ¹ 8501 / 8503 / 8505			2490 ¹	-		3500	-	9 8*	-
Screen Vision ¹ 1%, 3%, 5%, 10%			2490	-		4500	-	9	-
Screen Thermic S2 3%, 5%	470		2800	3200	300	4500	4500	9	9
Soltis 7635 ² / Satiné 5500 ²			2800	3200		3500	3200	9 8*	9 8*
Satiné 21154 Blackout ³			2800	3200 ^{***}		3500	2600	9 6*	8 6*

¹ Cloth with **vertical welding seam**

² Cloth with **horizontal welding seam**, if **gh > 2400**

³ Cloth with **horizontal welding seam**, if **gh > 1950**

* Version Fix

** 3000 Version Fix

*** 2800 Version Fix

 Definitions of dimensions 274

Limit dimensions Soloroll® II 100

Single awning

Motor

Polyester with PVC

Fabric collection	Tube	Width (bk)		Height (gh)		Surface [m ²]
		Ø78		Ø78		
		min.	max.	min.	max.	max.
Soltis 99 / 99 LowE			4000		4500	
Soltis B99 / B990 Blackout			4000		4000	
Soltis Touch 3%	470		2690 ¹	300	3000	12
Soltis 86 / 92			4000		4000	
Soltis B92 Blackout			4000		4000	

i Cloth with **horizontal welding seam**, if:
gh > 1700

Polyester without PVC

Fabric collection	Tube	Width (bk)		Height (gh)		Surface [m ²]
		Ø78		Ø78		
		min.	max.	min.	max.	max.
40818 Starlet Transparent			2400		4500	
40985 Starlet Blackout Color	470		2400	300	4000	12

i Cloth with **horizontal welding seam**, if:
gh > 2400

Fiberglass with PVC


Fabric collection	Tube	Width (bk)		Height (gh)		Surface [m ²]
		Ø78		Ø78		
		min.	max.	min.	max.	max.
M-Screen 8501 / 8503 / 8505			2490 ¹		4000	
Screen Vision ¹ 1%, 3%, 5%, 10%			2490		4500	
Screen Thermic S2 3%, 5%	470		4000	300	4500	12
Soltis 7635 ² / Satiné 5500 ²			4000		3000	
Satiné 21154 Blackout ³			4000		3000	

¹ Cloth with **vertical welding seam**

² Cloth with **horizontal welding seam**, if **gh > 2400**

³ Cloth with **horizontal welding seam**, if **gh > 1950**

Style overview

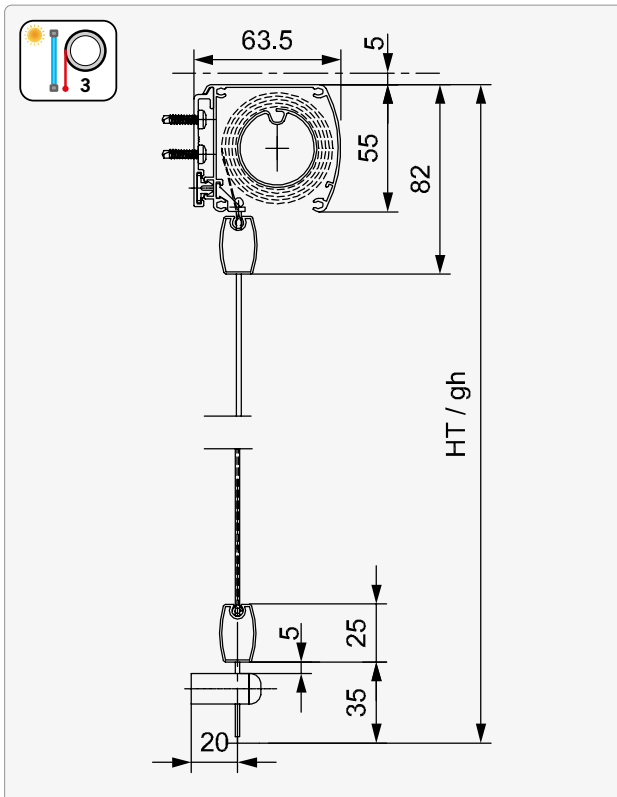
Type	Operation				Type of guide					
	Chain 	Crank	Motor	Without	Cable Inox	Cable Perlon	Guide rail	Guide rail Fix	Darkening	Darkening Fix
Soloroll® II Box 55	●	-	-	●	●	●	●	●	-	-
Soloroll® II Box 70	●	●	●	●	●	●	●	●	●	●
Soloroll® II Box 90	●	●	●	●	●	●	●	●	●	●
Soloroll® II Box 105	-	-	●	●	●	●	●	-	●	-
Soloroll® II 60	●	-	-	●	●	●	●	●	-	-
Soloroll® II 80	●	●	●	●	●	●	●	●	●	●
Soloroll® II 100	-	-	●	●	●	●	●	-	●	-

 **Strangulation hazard!**

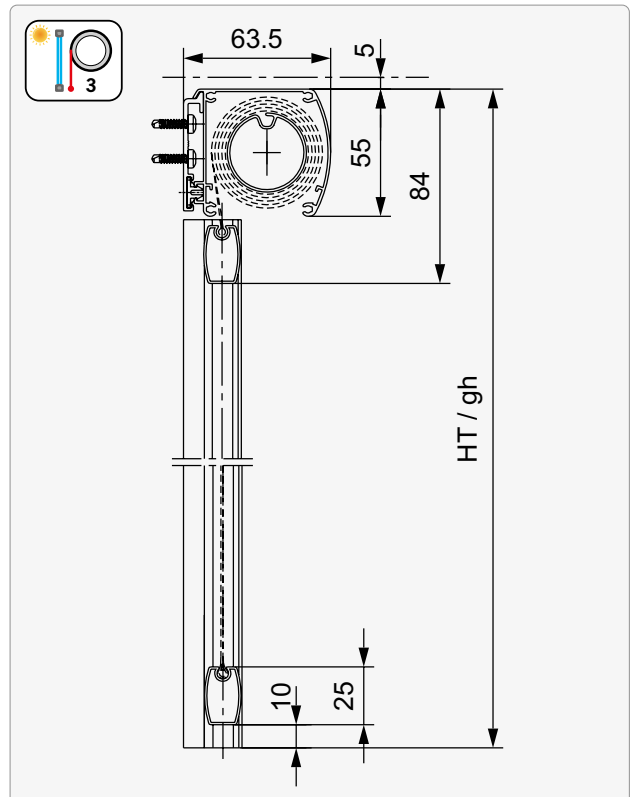
 Definitions of dimensions 274

Version with box

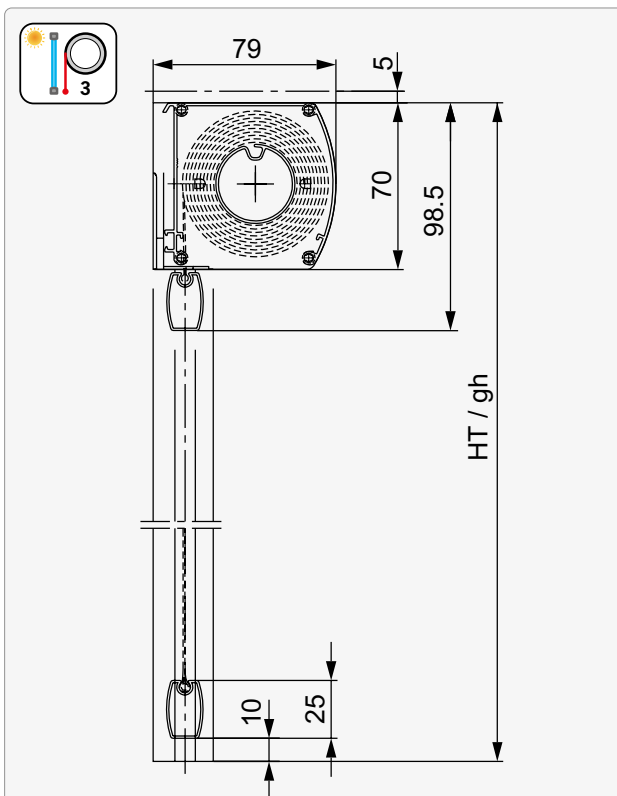
Box 55 | Guide cable



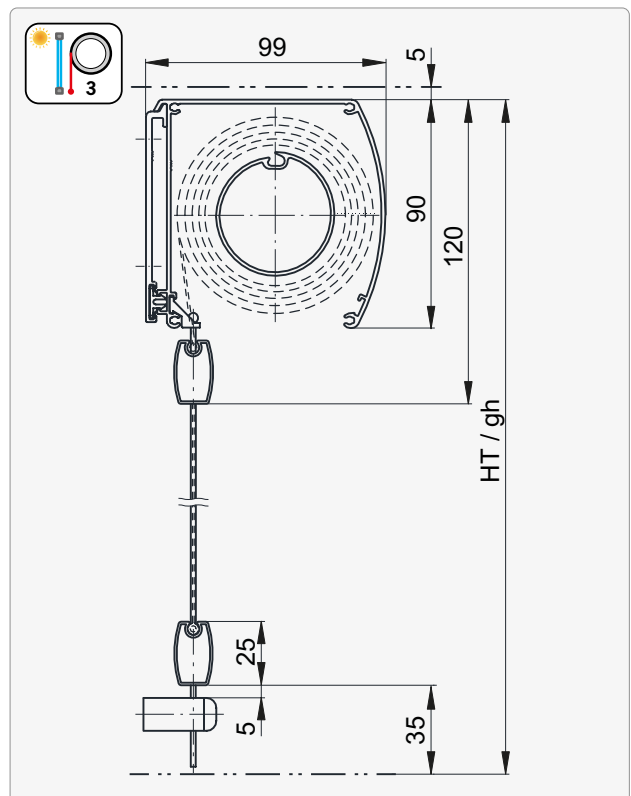
Box 55 | Guide rails



Box 70 | Guide rails Fix

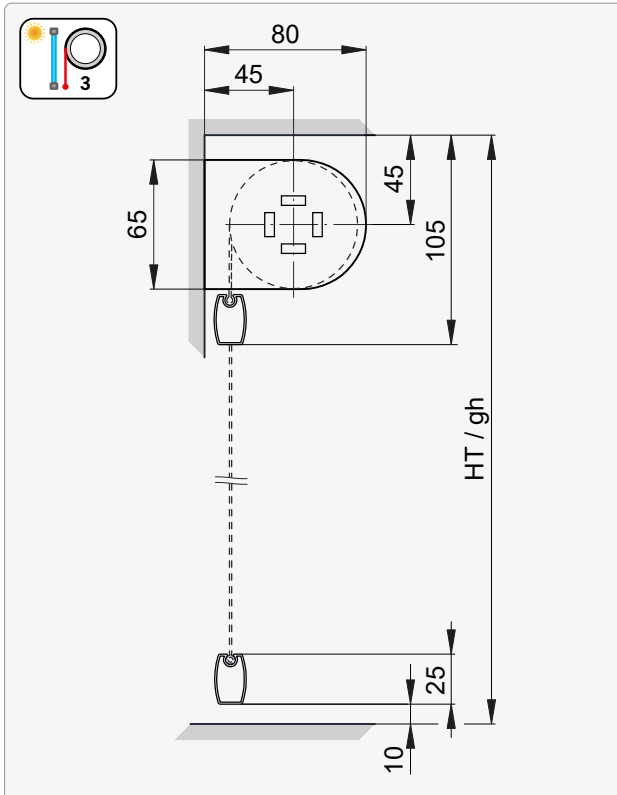


Box 90 | Guide cable

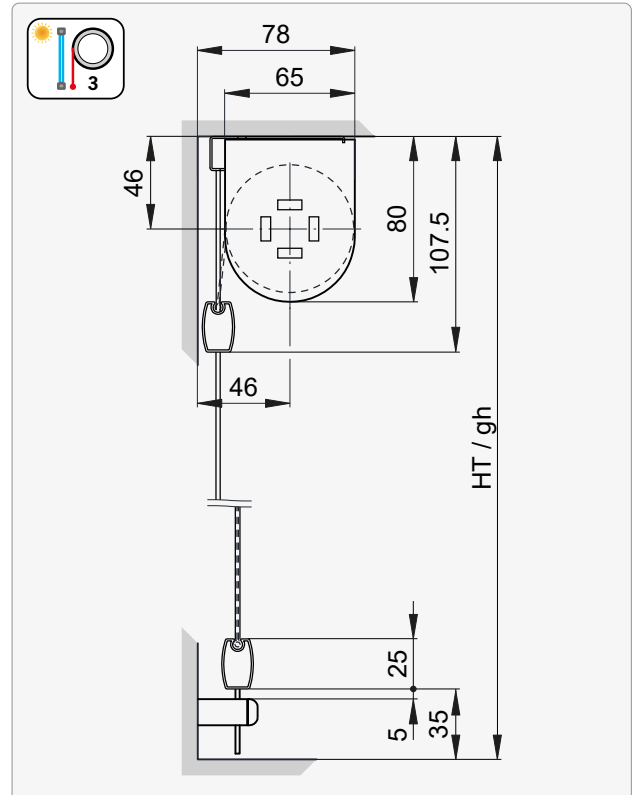


Version with bearing

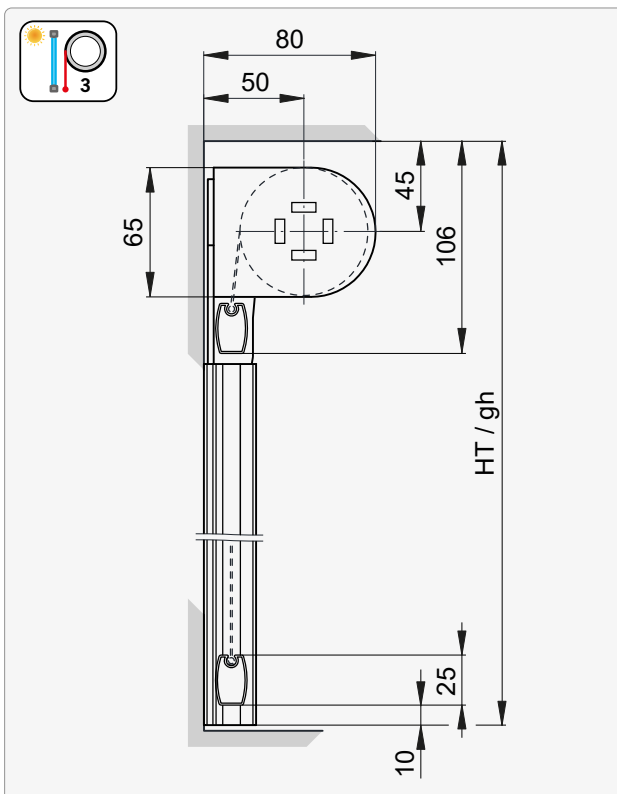
Bearing 80 | without guides



Bearing 80 | Guide cable

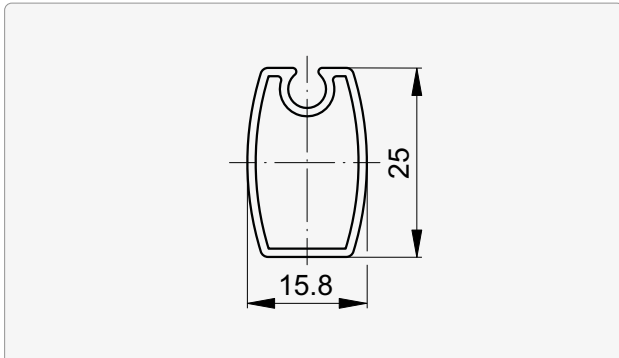


Bearing 80 | Guide rails Fix



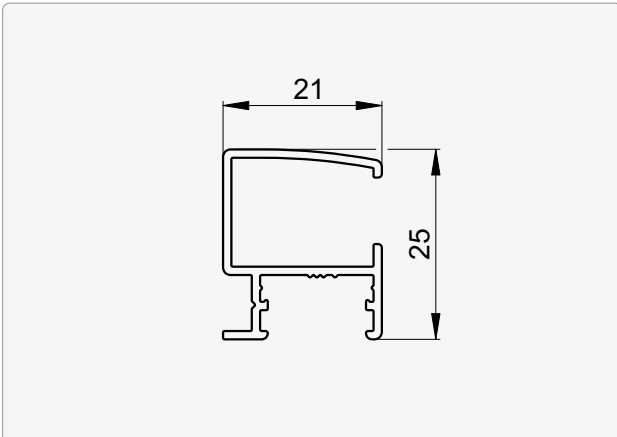
Bottom rail

Type 25

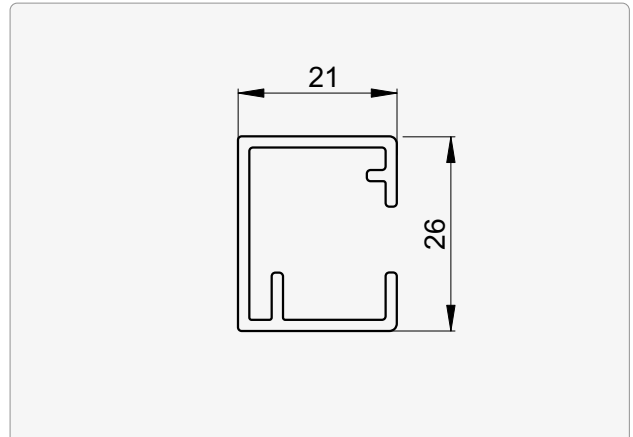


Guide rails

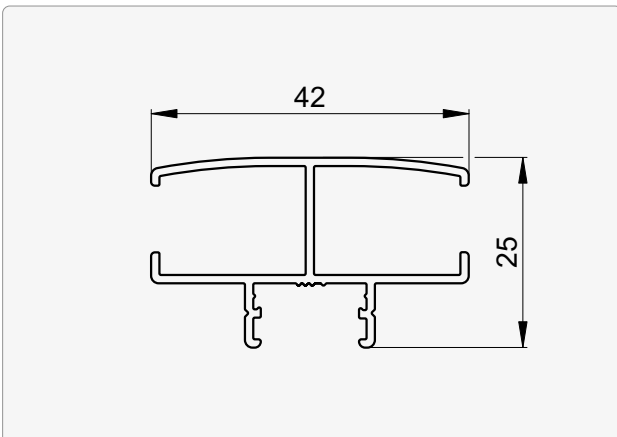
Guide rail



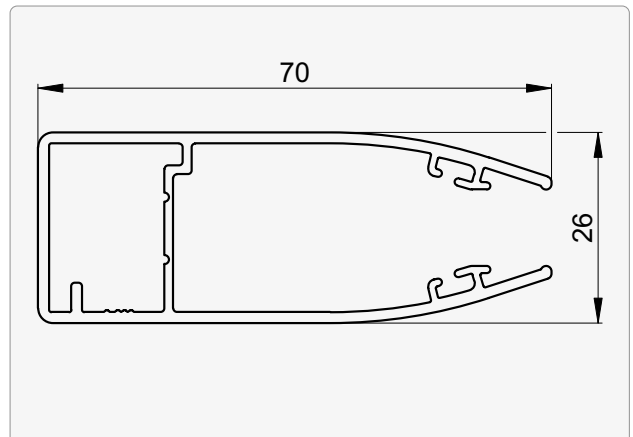
Guide rail Fix



Double rail



Darkening / Darkening Fix



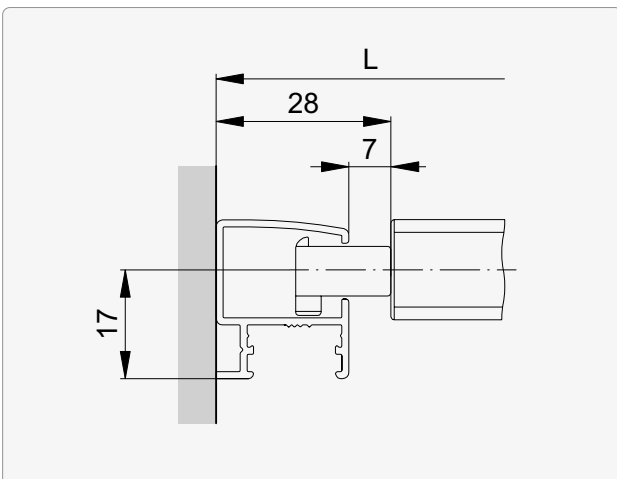
Guide rail fastenings (principle)

Overview

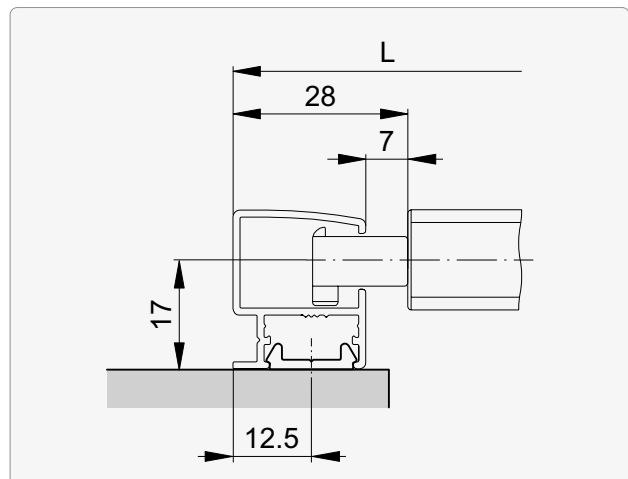
Type											
A	B	Bd	C	Cd	E	F	G	H	I	T	V
●	●	-	-	-	-	●	●	●	○ ¹	-	-

- applicable without restrictions
- applicable with restrictions
- ¹ not for **Box Fix**

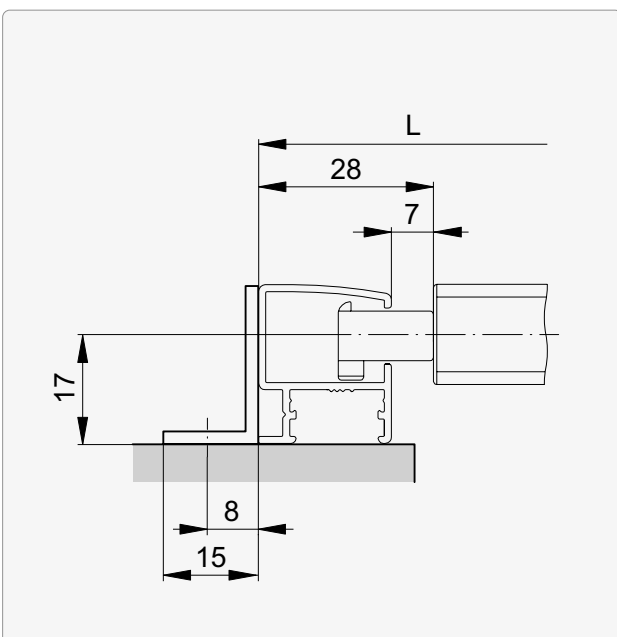
A Soffit installation



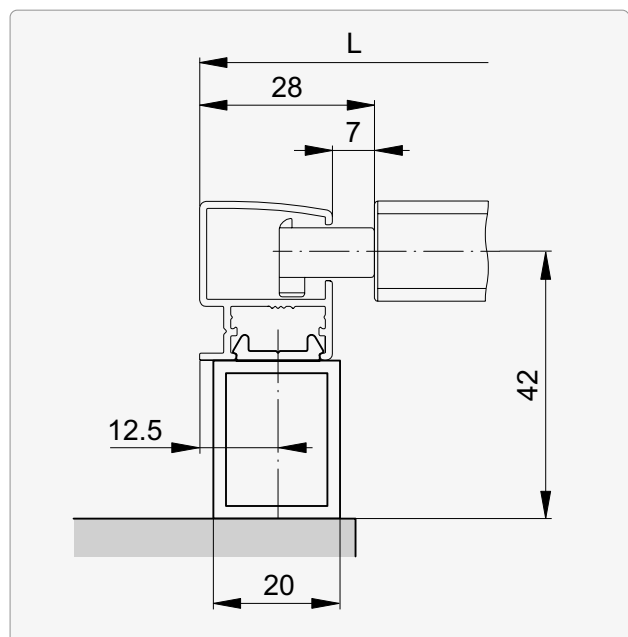
F Installation on facade



B Installation on bracket

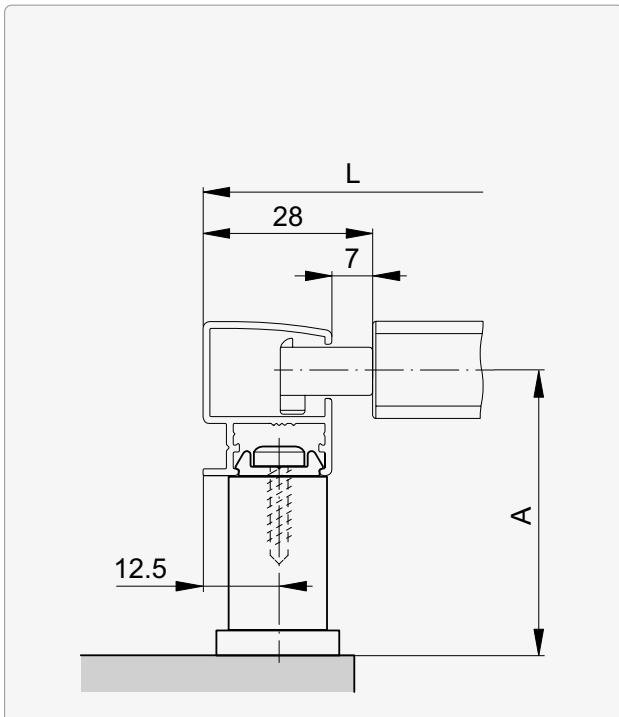


G Installation on pipe profile

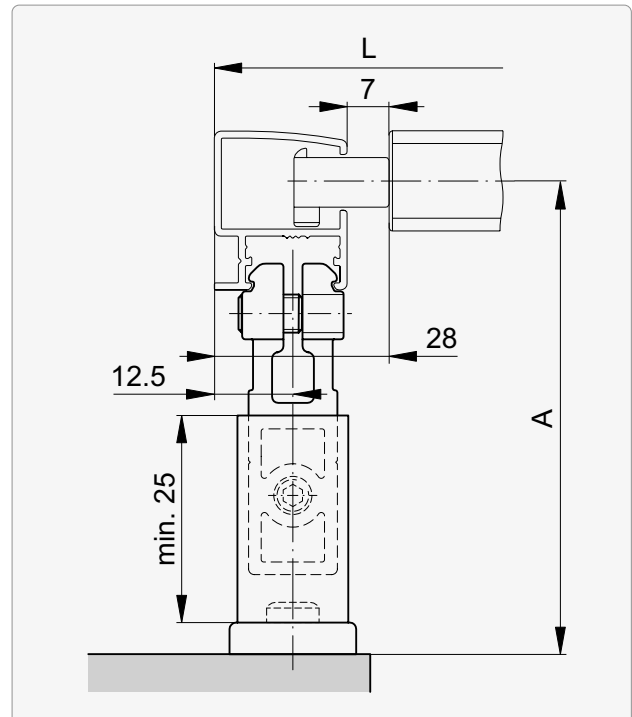


►► Guide rail fastenings (principle)

H Installation on console

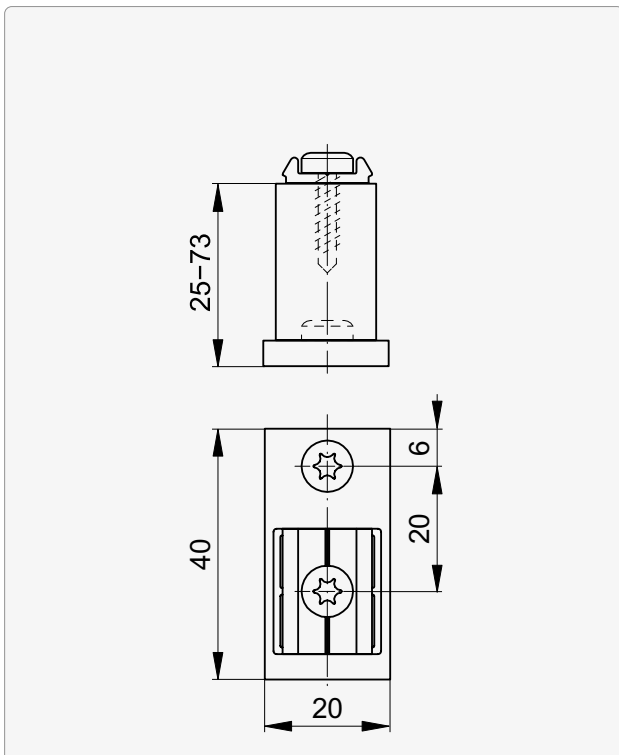


I Installation on adjustable console



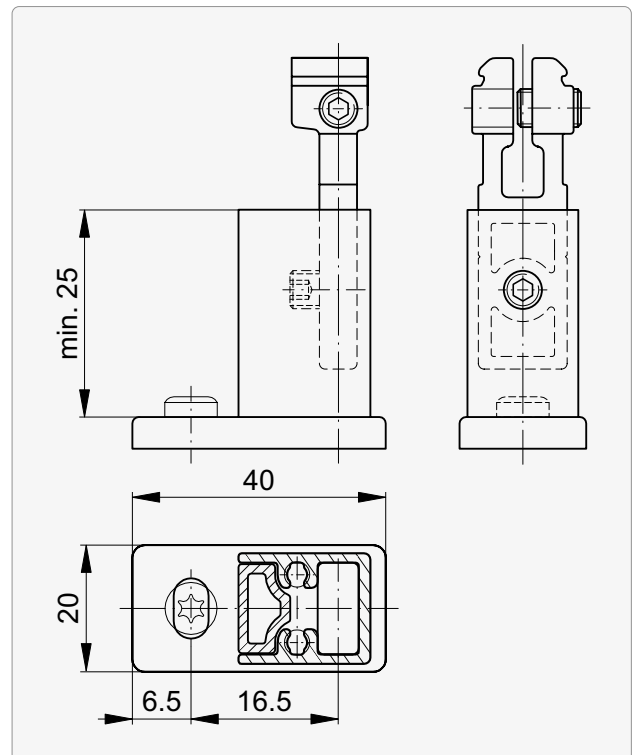
Not for Box Fix

Console for type H



A
42 ... 90

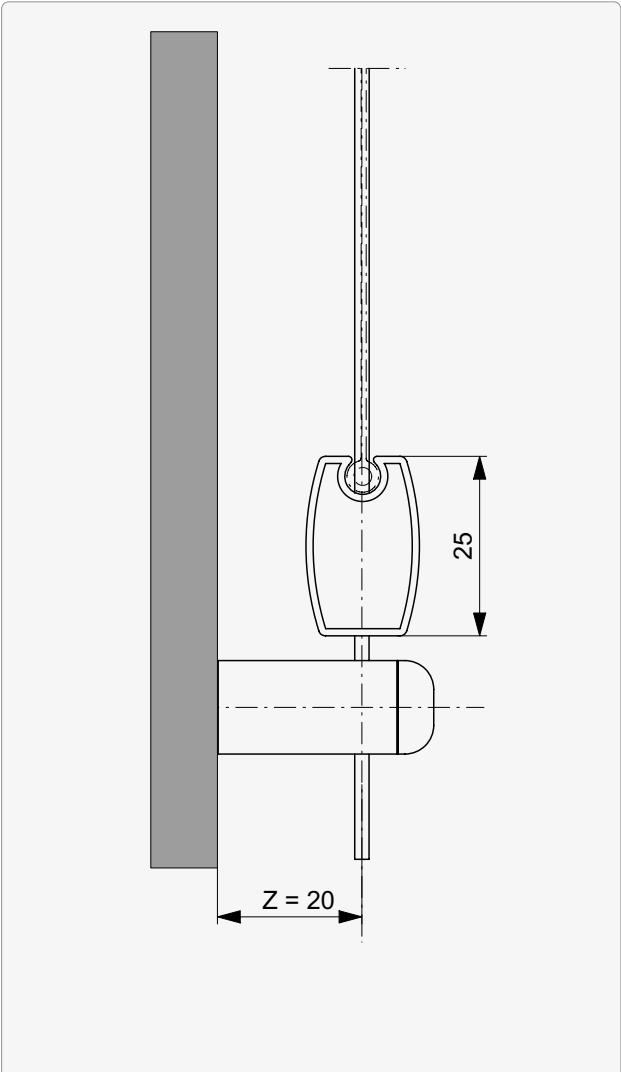
Console for type I



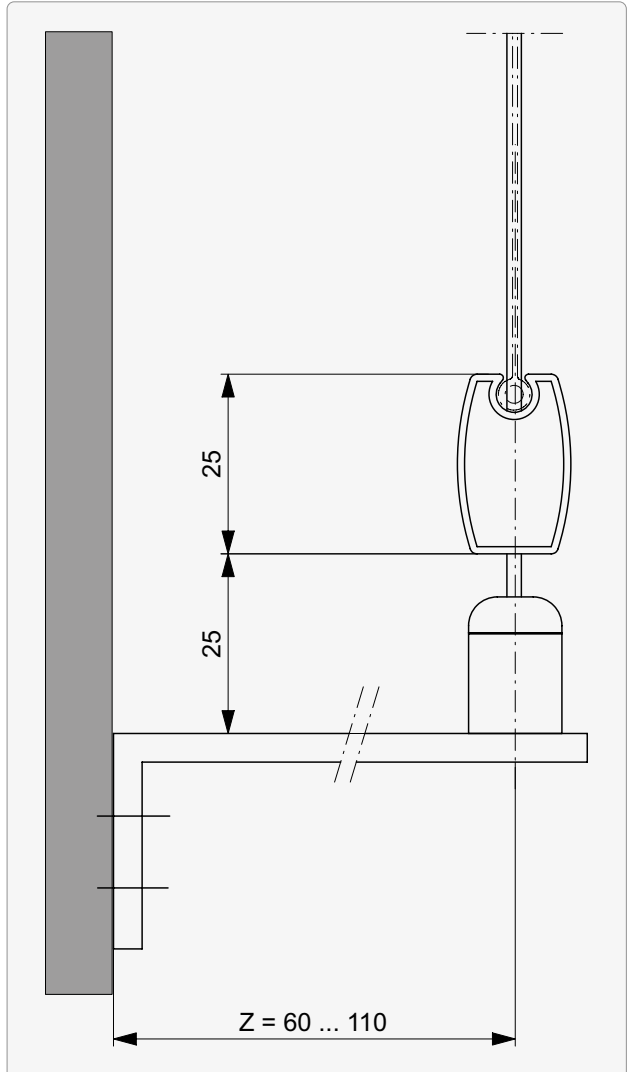
A
57 ... 90

Guide cable fastenings

F Fastening on the front



F Fastening on the front with bracket





Limit dimensions Sigara®	162
Limit dimensions Sigara® Box	162
Fabric deduction	163
Fabric hems	163
Built-in system	164
Built-in system with cover	165
Built-in system under ceiling	166
Installation system	167
Installation system under ceiling	168

Rail guide

Bottom rail	169
Guide rails	169
Sections Details	170
Sections for crank drive (MBMA)	171
Guide rail fastenings (principle)	172
Guide extension and facet	178
Fastening points Sigara®	180
Fastening points Sigara® Box	183
Connected systems	185

Cable / Slat guide

Bottom rails	186
Guide cable / Guide slat	187
Sections Details	188
Guide cable fastenings	189
Guide slat fastenings	191
Bearing fastenings	193
Connected systems	202



* **Phase-out**, can still be ordered until 30.4.2026 as a complete product for replacement cases, replacement assemblies are available until 30.4.2029. Spare parts remain available until at least 30.4.2036.

Limit dimensions Sigara®**Single awning**

Operation	Width min. (bk)	Width max. (bk)	Height min. (hl)	Height max. (hl)	Surface* max. [m ²]
Crank drive	400	3500 ¹ 4000 ²	230 ² 350 ¹	3330 ¹ 3830 ²	8 ¹ 10 ²
Motor drive	600 ² 650 ¹				

Connected systems

Operation	Width max. (bk)	Width max. (Σ bk + FD)	Blinds max.	Surface* max. [m ²]
Crank drive	3500 ^{1,3} 4000 ²	4000 ² 6000 ¹	3	8 ¹ 10 ²
Motor drive		7000 ³ 8000		18 ¹ 24 ²

Limit dimensions Sigara® Box**Single awning**

Operation	Width min. (bk)	Width max. (bk)	Height min. (h1)	Height max. (h1)	Surface* max. [m ²]
Crank drive	400	3500 ¹ 4000 ²	400 ² 520 ¹	3500 ¹ 4000 ²	8 ¹ 10 ²
Motor drive	600 ² 650 ¹				

Connected systems

Operation	Width max. (bk)	Width max. (Σ bk + FD)	Blinds max.	Surface* max. [m ²]
Crank drive	3500 ^{1,3} 4000 ²	4000 ² 6000 ¹	3	8 ¹ 10 ²
Motor drive		7000 ³ 8000		18 ¹ 24 ²

¹ Sigara® Guide rails

² Sigara® Guide cable or guide slat

³ Sigara® Guide cable or guide slat with Collection Soltis

* **Width/height ratio $\geq 1/5$**

Fabric deduction

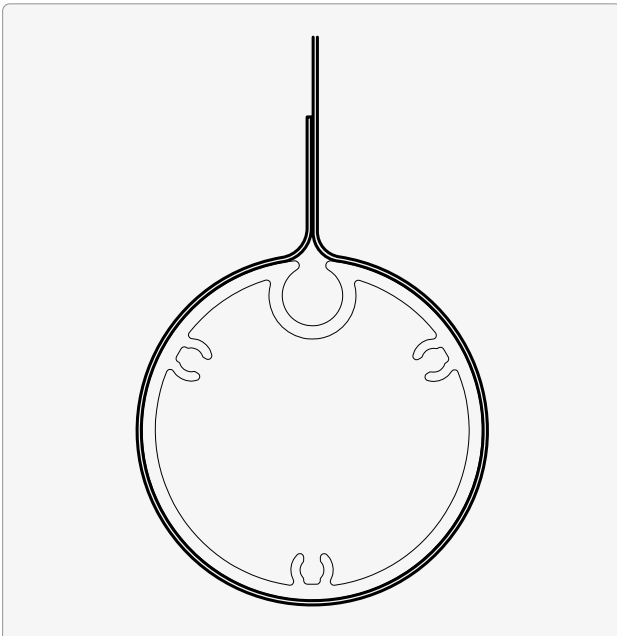
Operation	Guide rail		Guide cable / slot	
	Drive side	Counter side	Drive side	Counter side
Crank drive	bk - 45	bk - 45	bk - 38 ¹ bk - 45 ²	bk - 25
Motor drive			bk - 25	

¹ Articulated crank

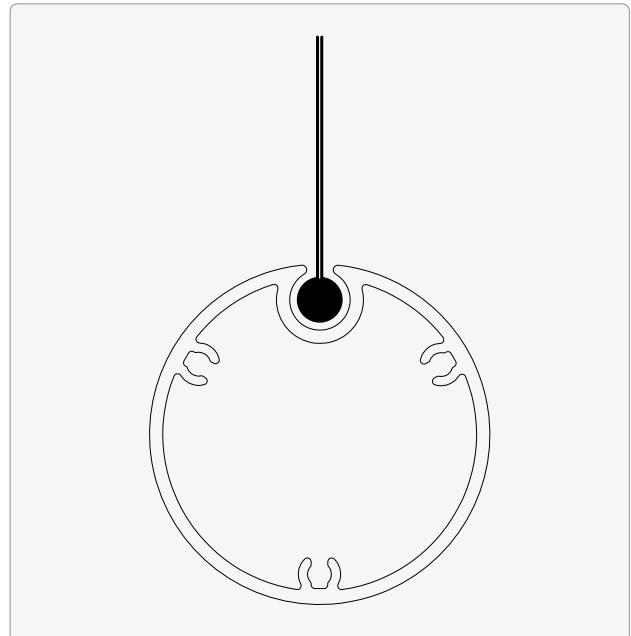
² Immersion crank

Fabric hems

Type H80 | Hemstitch

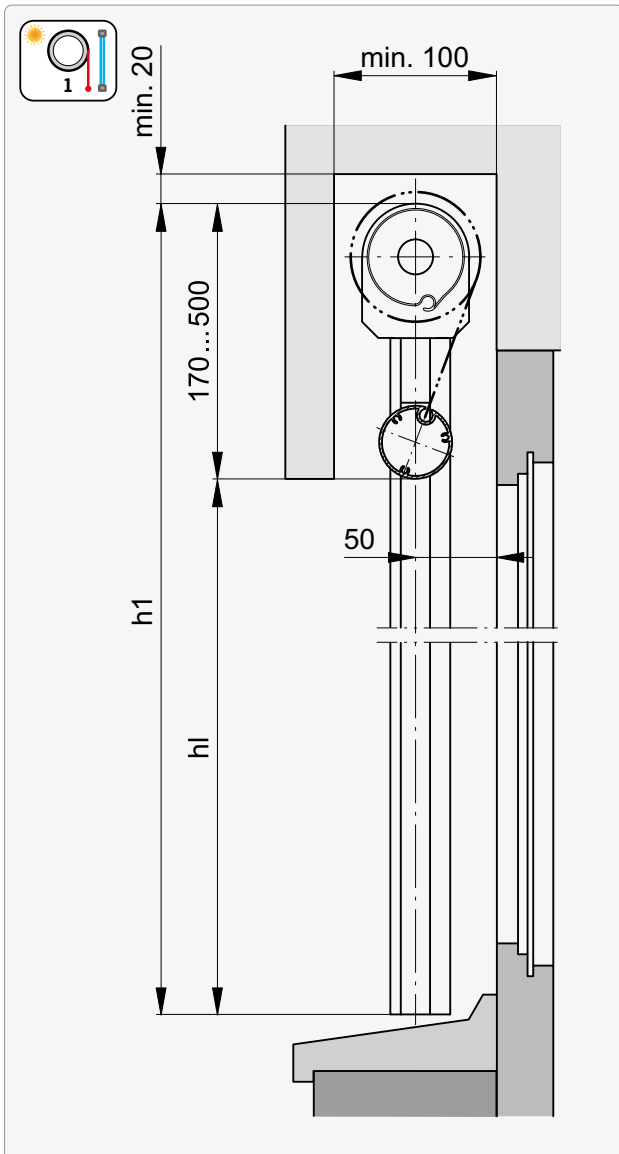


Type H25 | Hemstitch



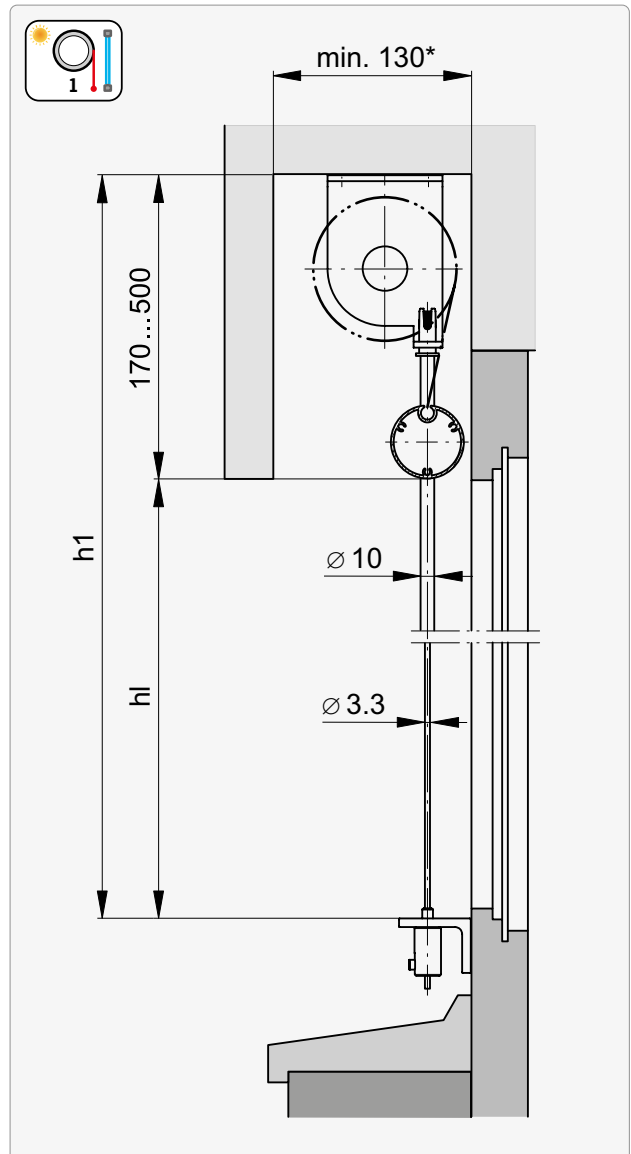
Built-in system

Vertical section: Guide rail



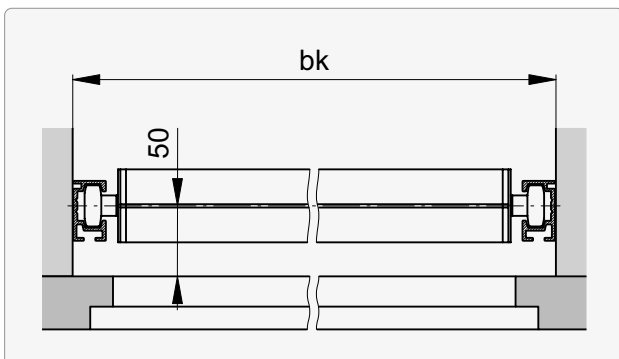
Symmetrical installation

Vertical section: Guide cable/slat

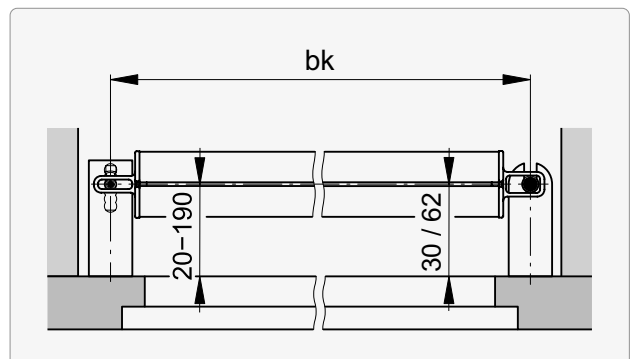


* Articulated crank drive min. 150 mm

Horizontal section: Guide rail

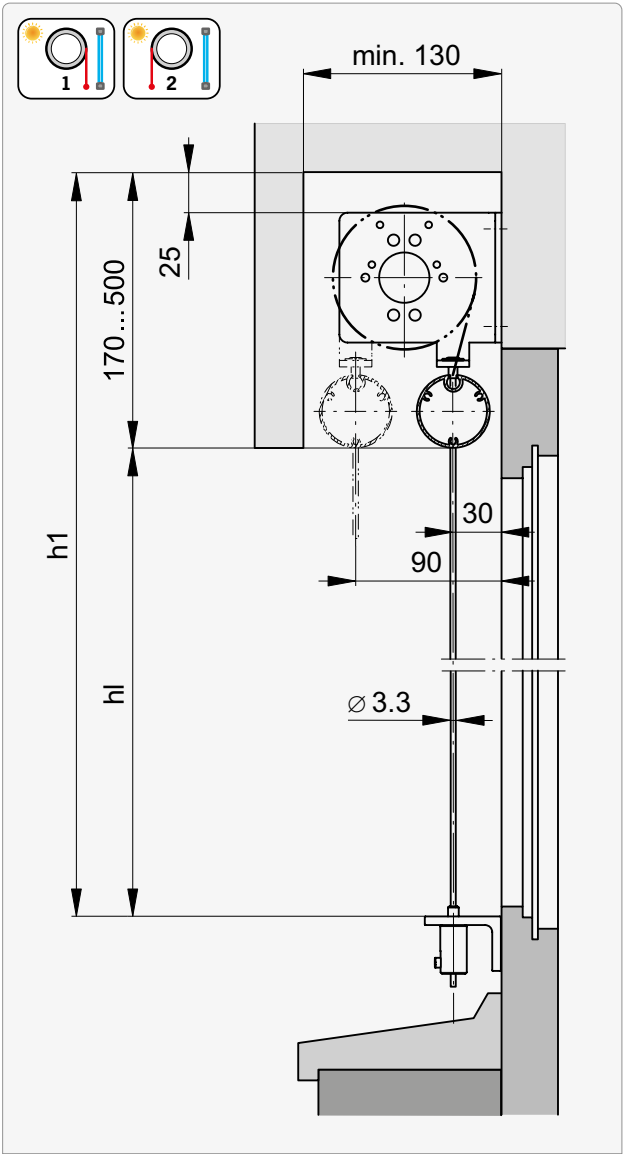


Horizontal section: Guide cable/slat



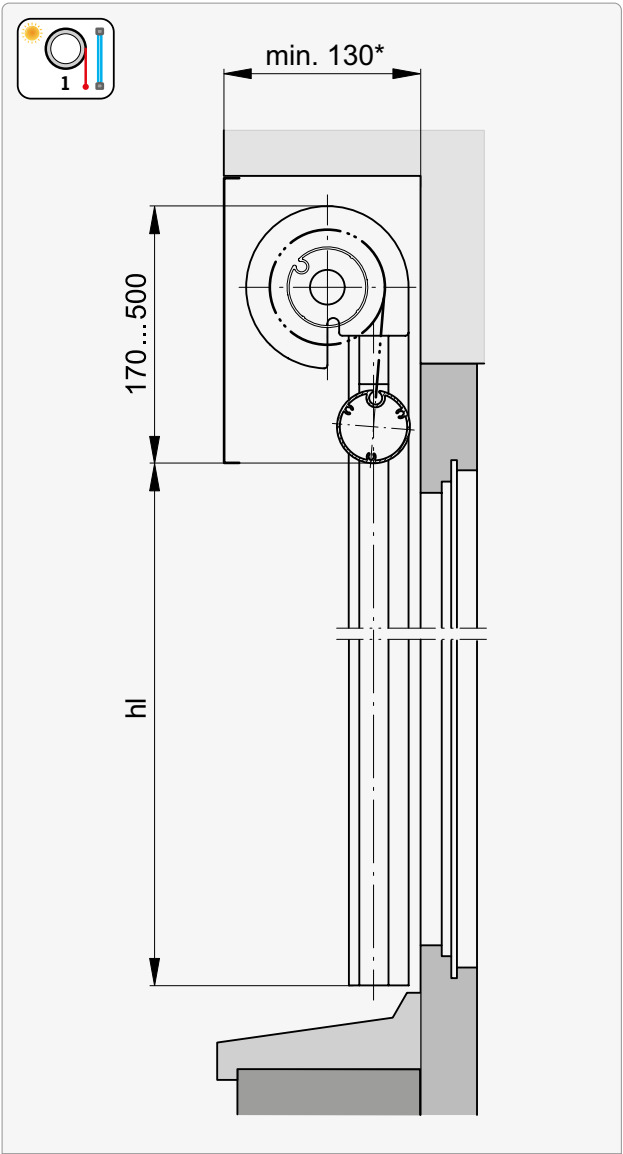
► Built-in system

Vertical section: Guide cable/slat



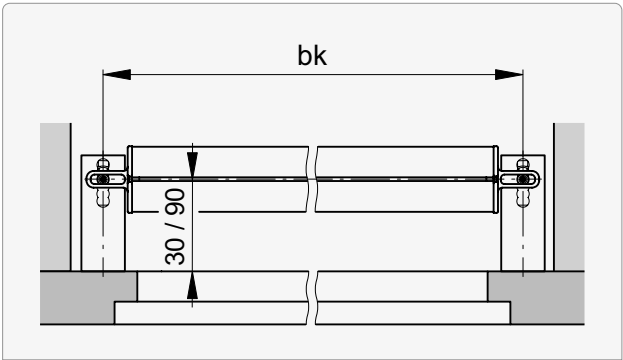
Built-in system with cover

Vertical section: Guide rail

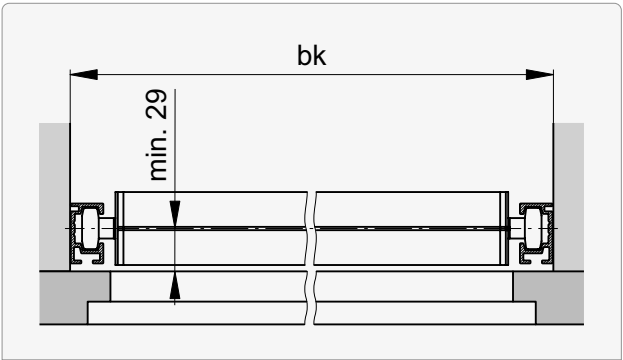


Asymmetrical installation

Horizontal section: Guide cable/slat

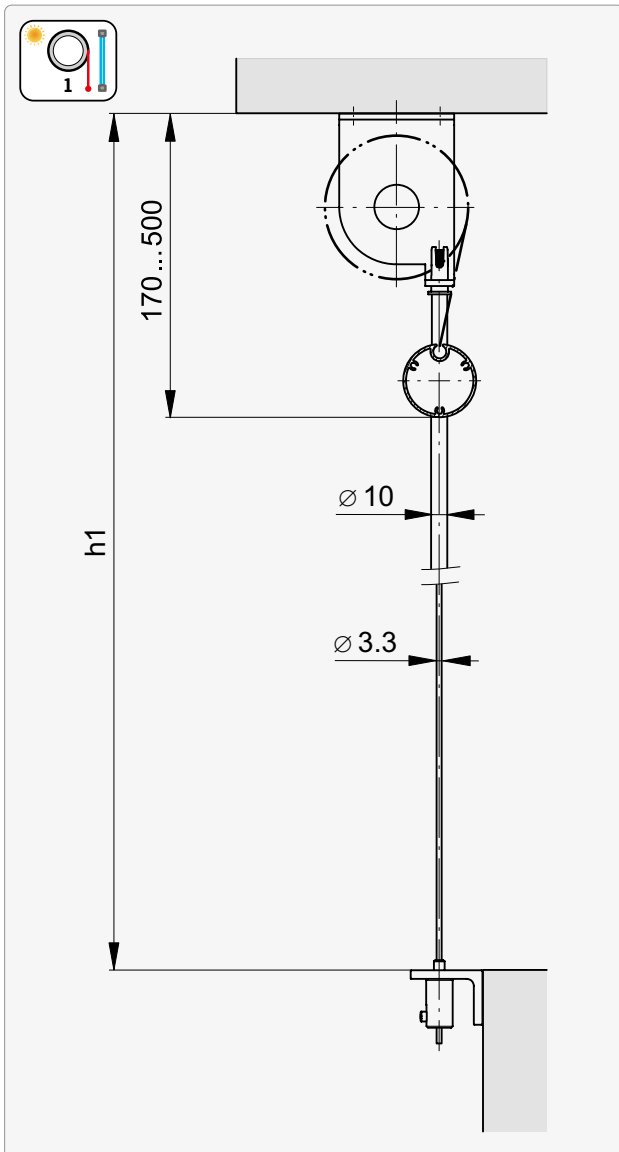


Horizontal section: Guide rail

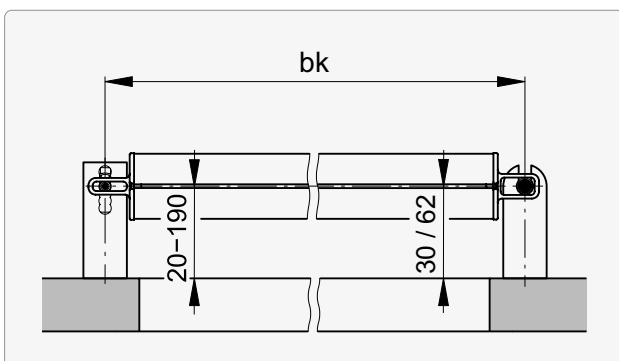


Built-in system under ceiling

Vertical section: Guide cable/slat

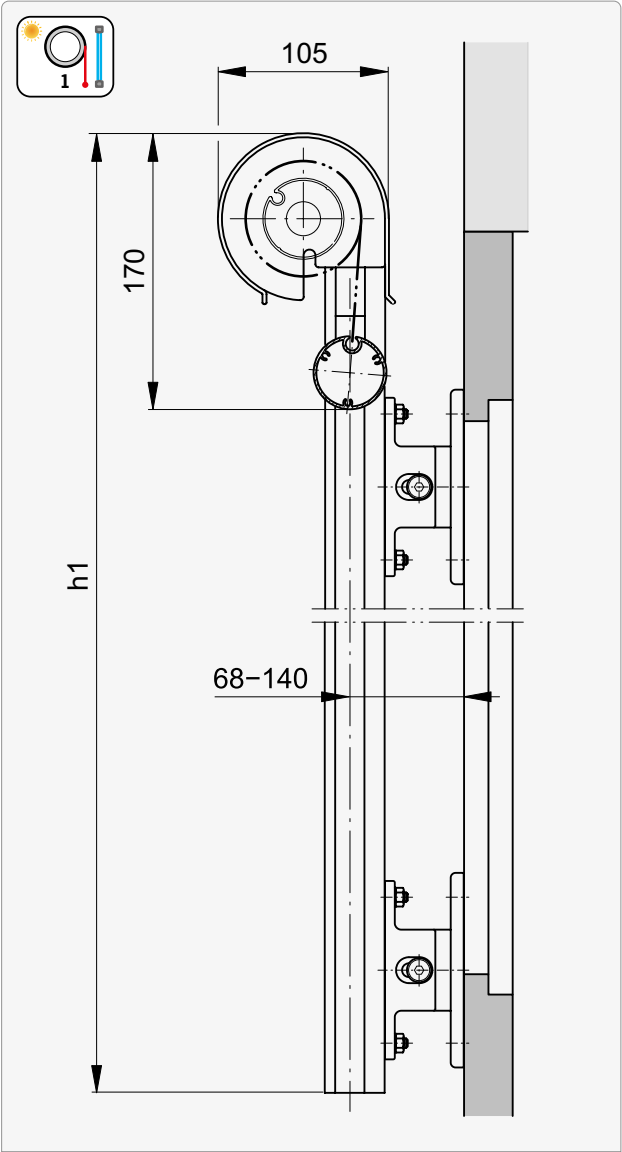


Horizontal section: Guide cable/slat



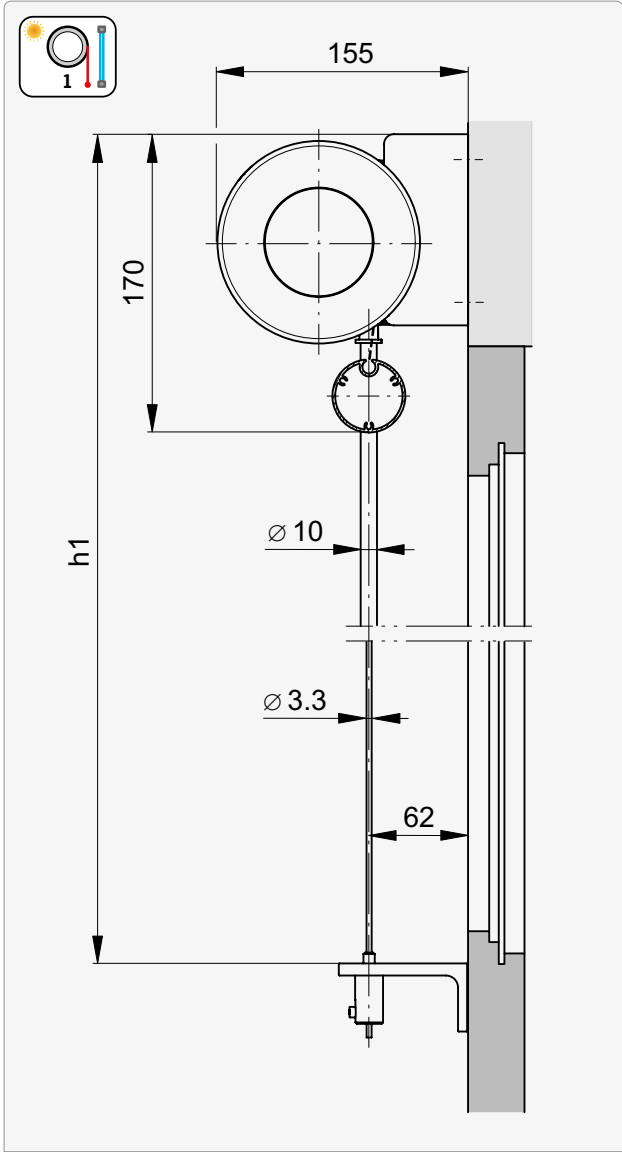
Installation system

Vertical section: Guide rail

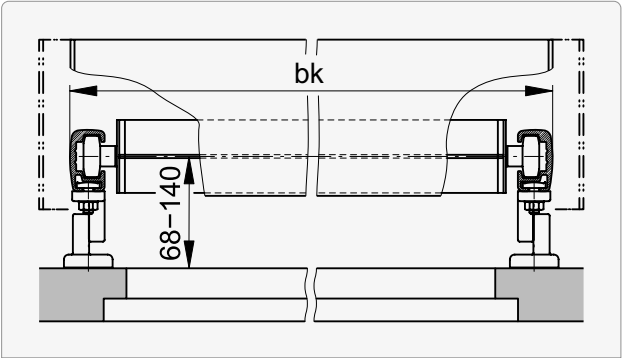


Fastening with spacer

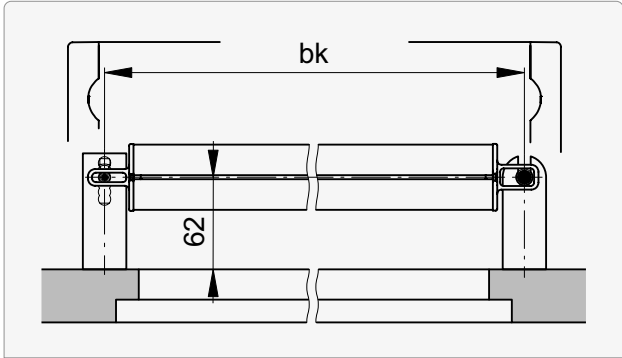
Vertical section: Guide cable/slat



Horizontal section: Guide rail

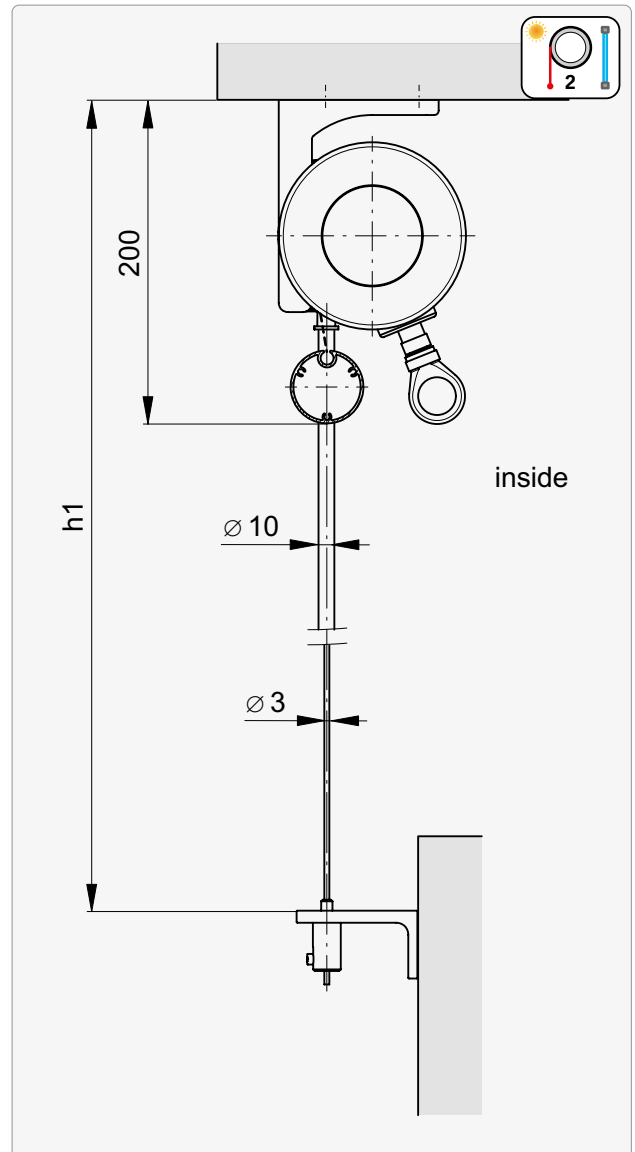
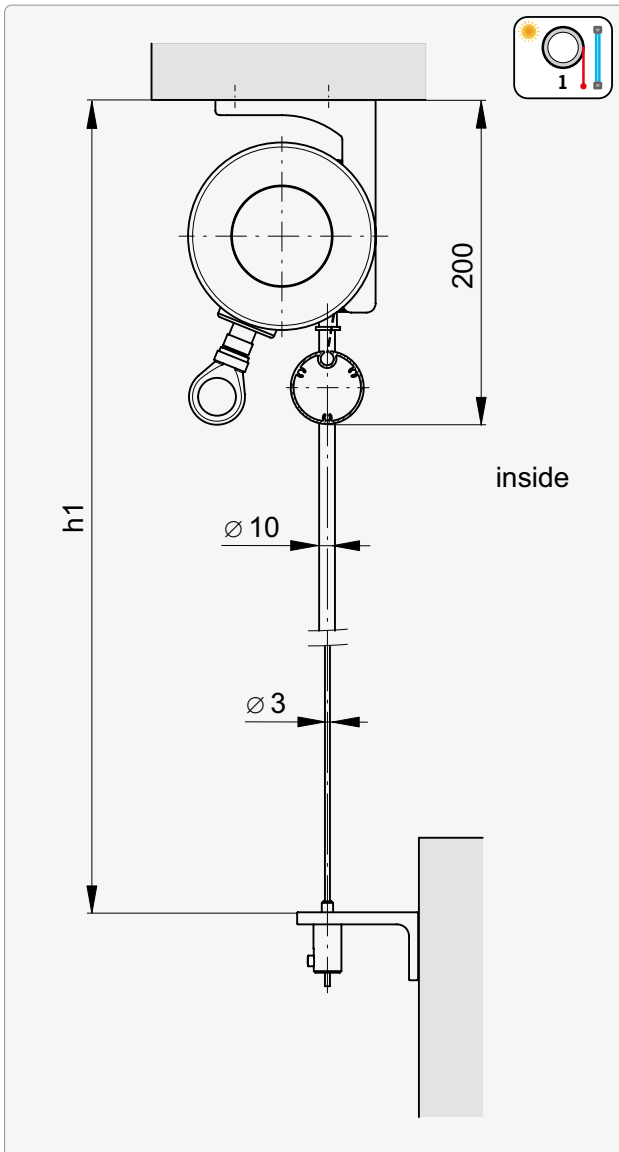


Horizontal section: Guide cable/slat

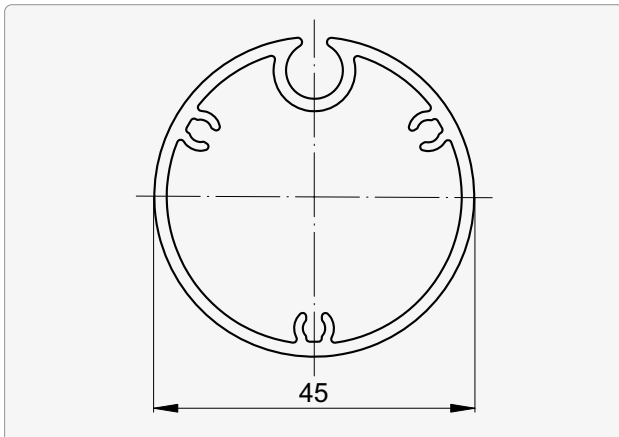


Installation system under ceiling

Vertical section: Guide cable/slat

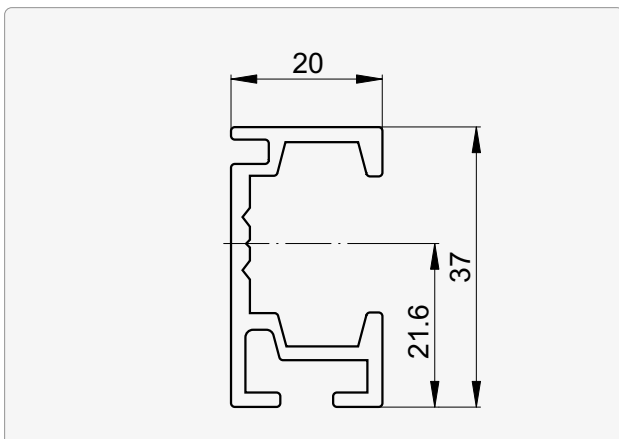


Bottom rail

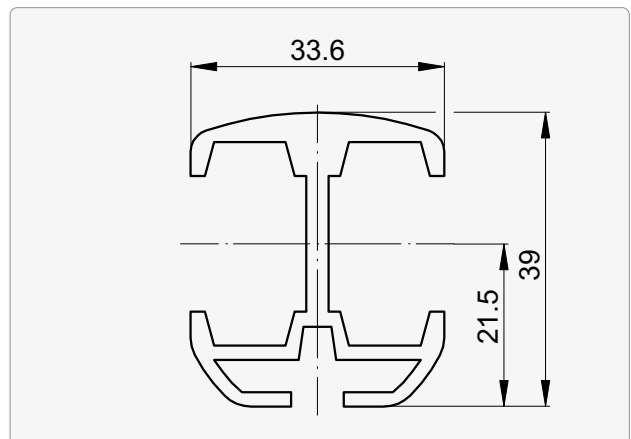


Guide rails

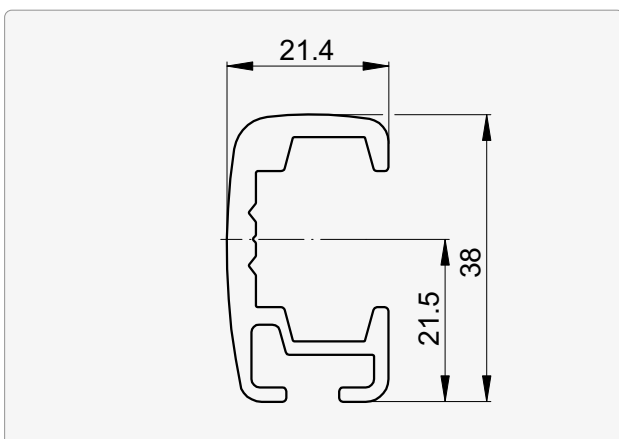
Type E | Square



Type D | Double guide



Type R | Circular

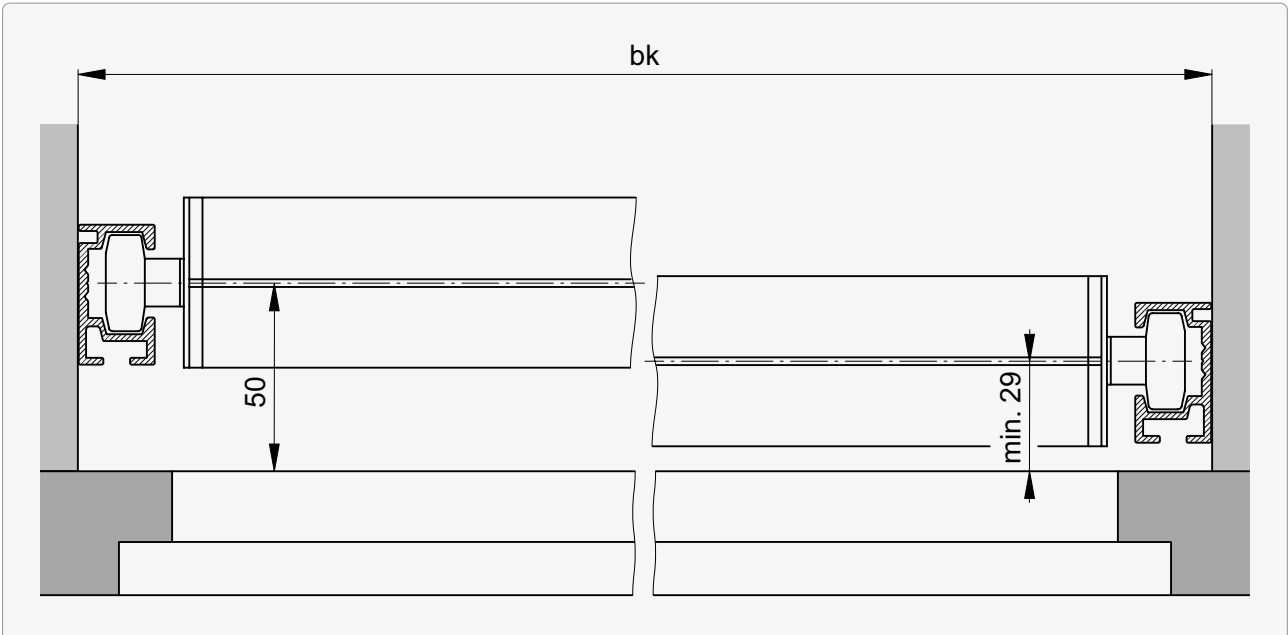


➔ Fastening points.....180
 ➔ Guide extension and facet178

➔ Guide rail fastenings.....172

Sections | Details

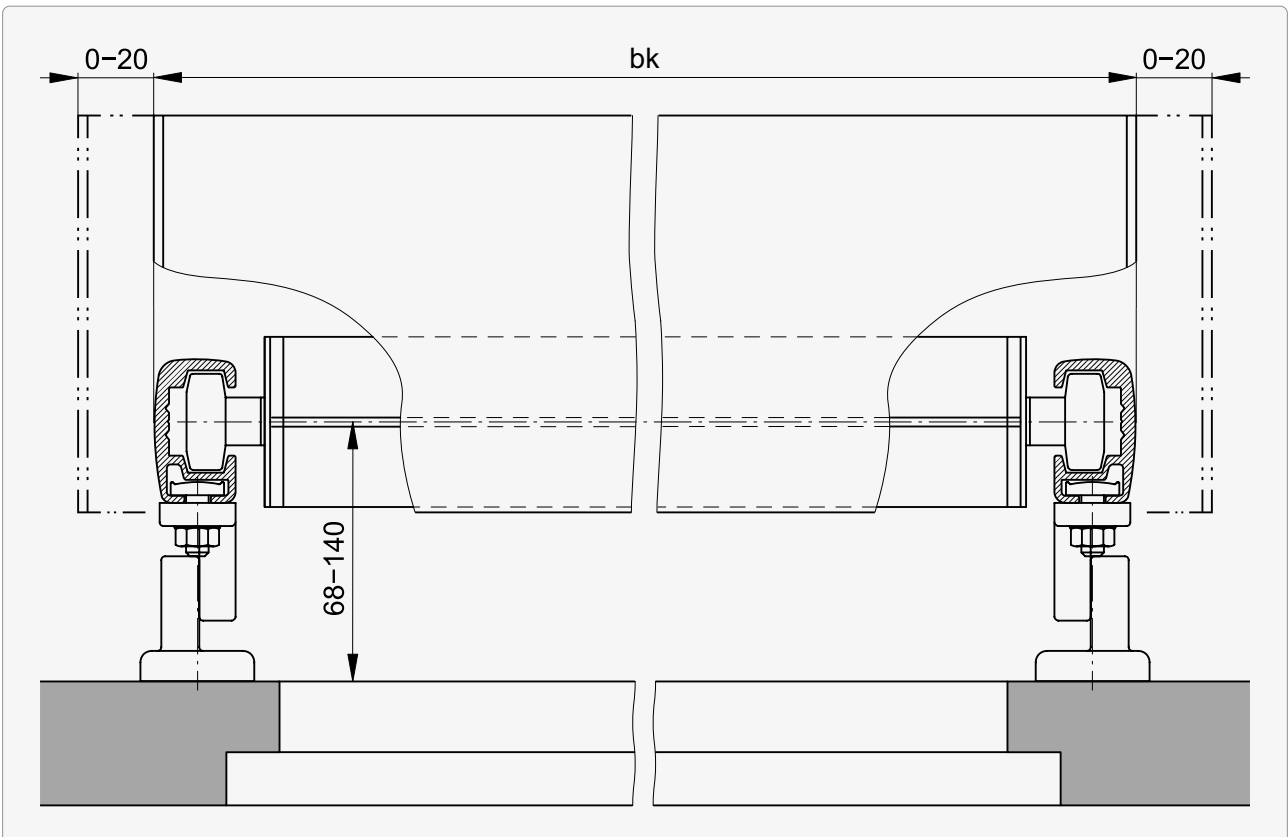
Horizontal section: Built-in system



Symmetrical installation

Asymmetrical installation

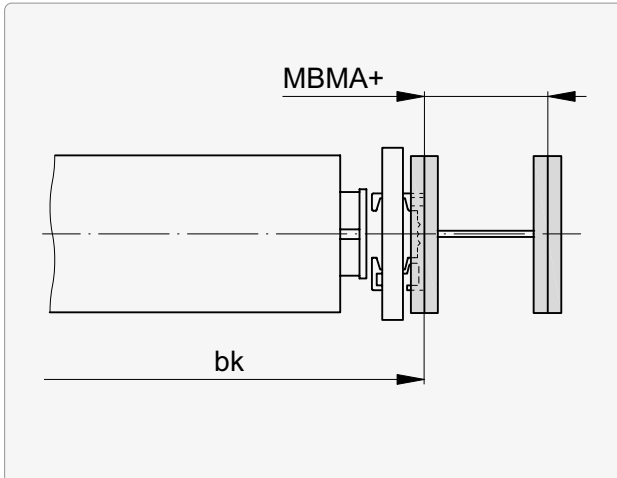
Horizontal section: Installation system



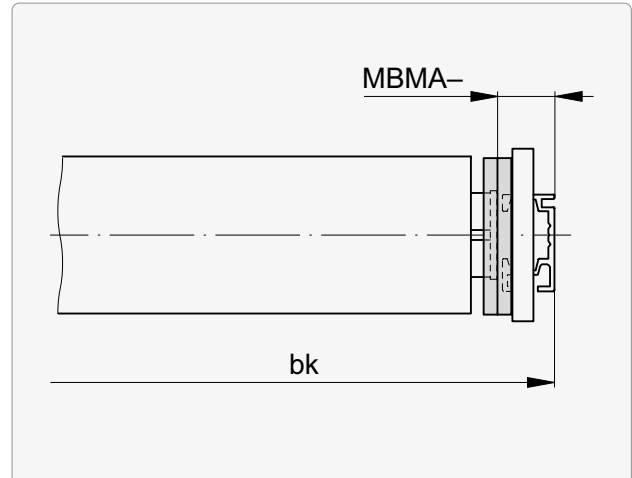
i Box overhang: 0 ... 20 mm per side, from rear edge of guide rail.

Sections for crank drive (MBMA)

outside bk



within bk



MBMA+¹

0 ... 120

¹ Provide required space

MBMA-

26

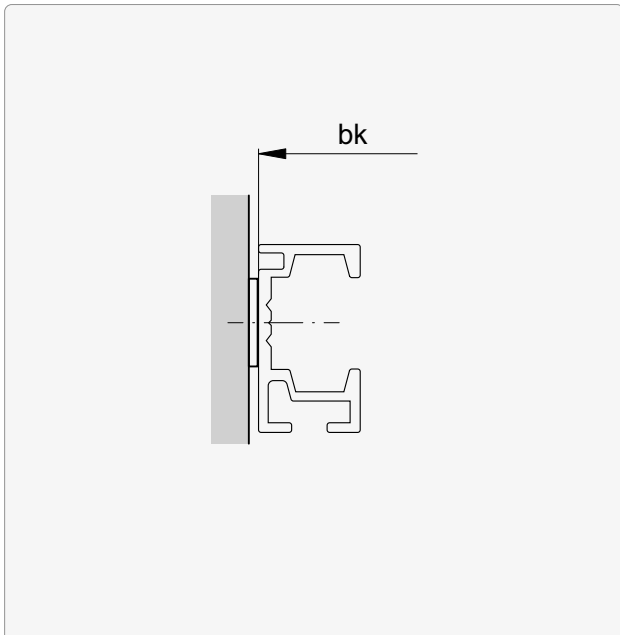
Guide rail fastenings (principle)

Overview

Type											
A	B	Bd	C	Cd	E	F	G	H	I	T	V
○ ¹	○ ¹	○ ¹	○ ¹	○ ¹	○ ¹	○ ¹	–	●	–	○ ¹	○ ¹

- applicable without restrictions
- applicable with restrictions
 - ¹ only with guide **type E | Square**

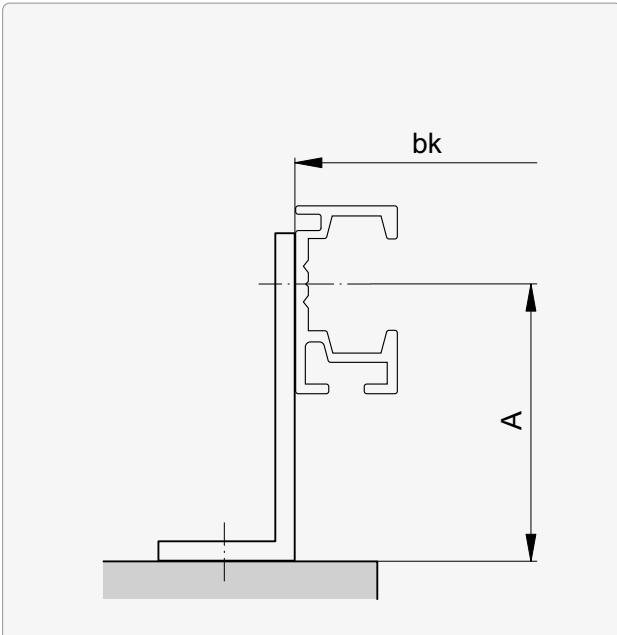
A Soffit installation



i Observe possible guide rail spacer for **bk**.
Standard: 2 mm

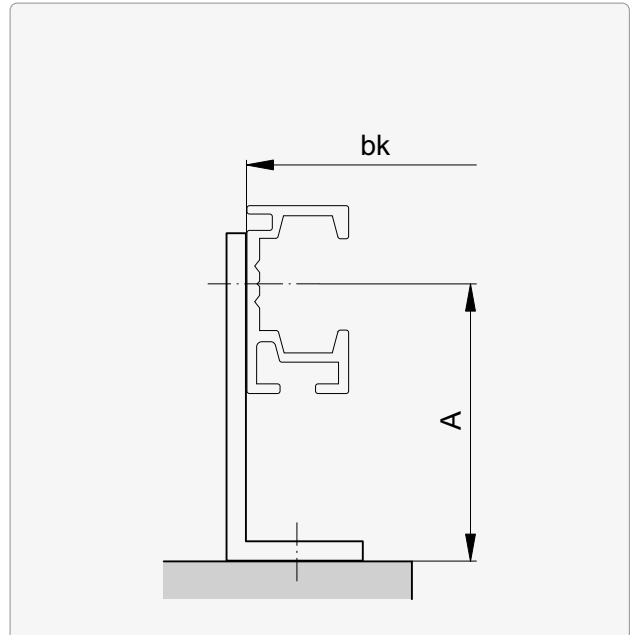
►► Guide rail fastenings (principle)

B Installation with fastening bracket



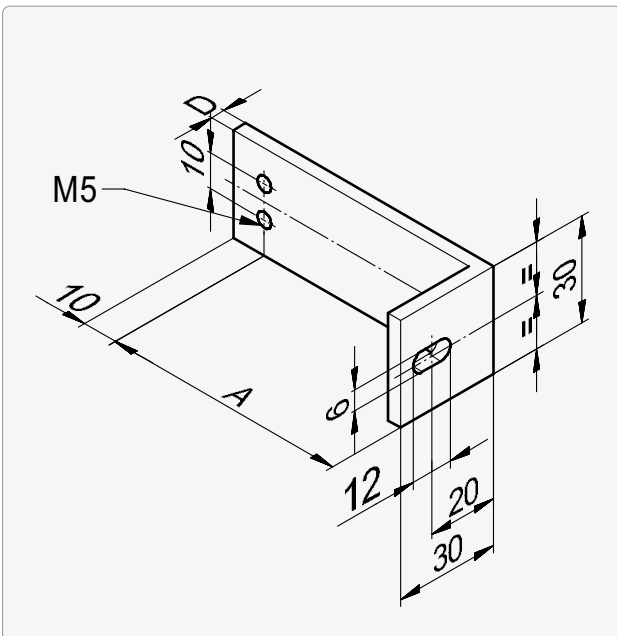
Bracket outwards

C Installation with fastening bracket



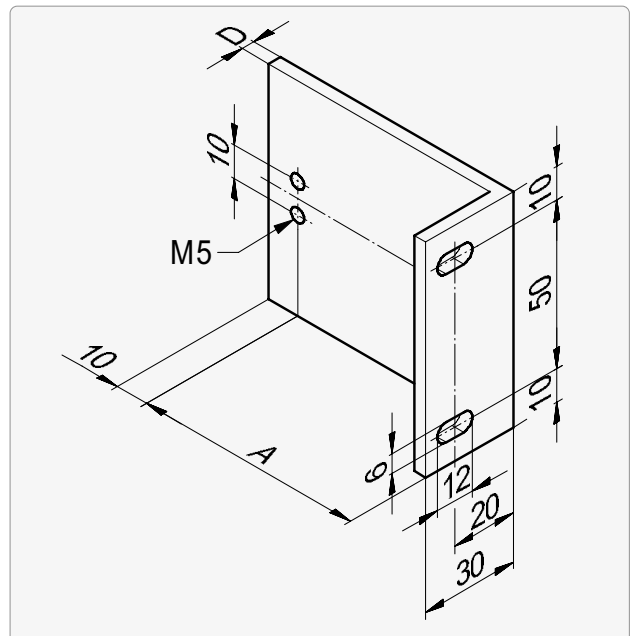
Bracket inwards

Fastening bracket for types B and C



A*	D
20... 115	4

Fastening bracket 70 mm for types B and C



A*	D
20... 115	4
120... 215	5

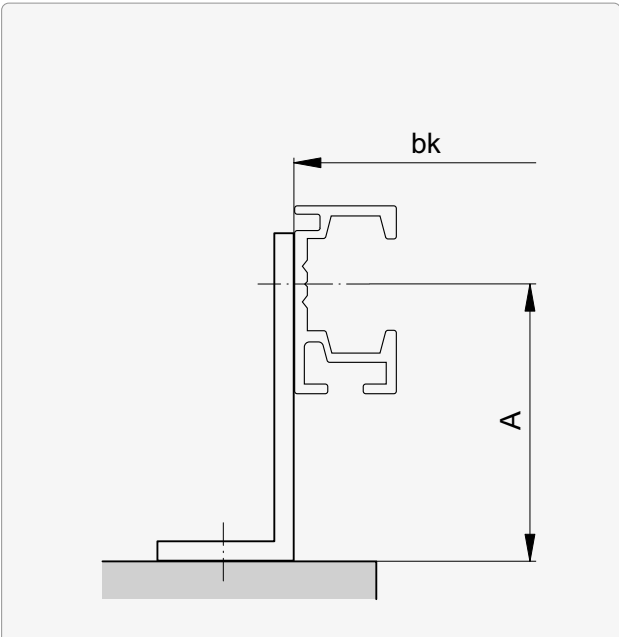
i For suspended guide rails always with **brackets 70 mm**.

i If the **projection is ≥ 120** , all products are fastened with a **70 mm bracket**.

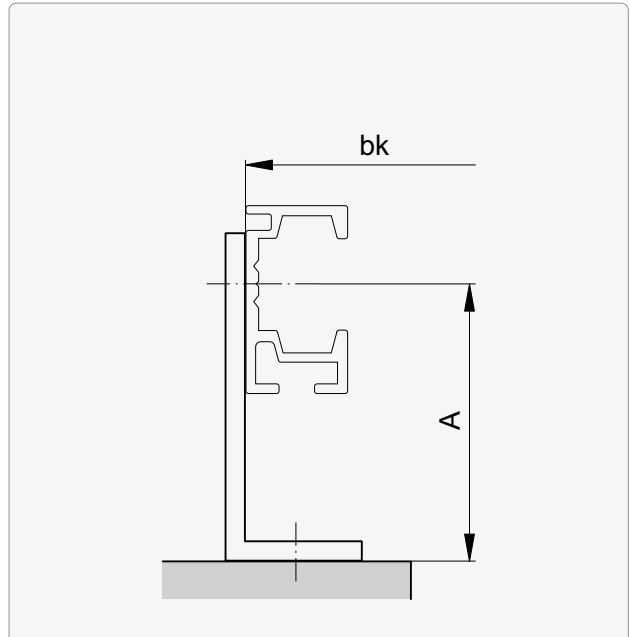
* in 5 mm steps

►► Guide rail fastenings (principle)

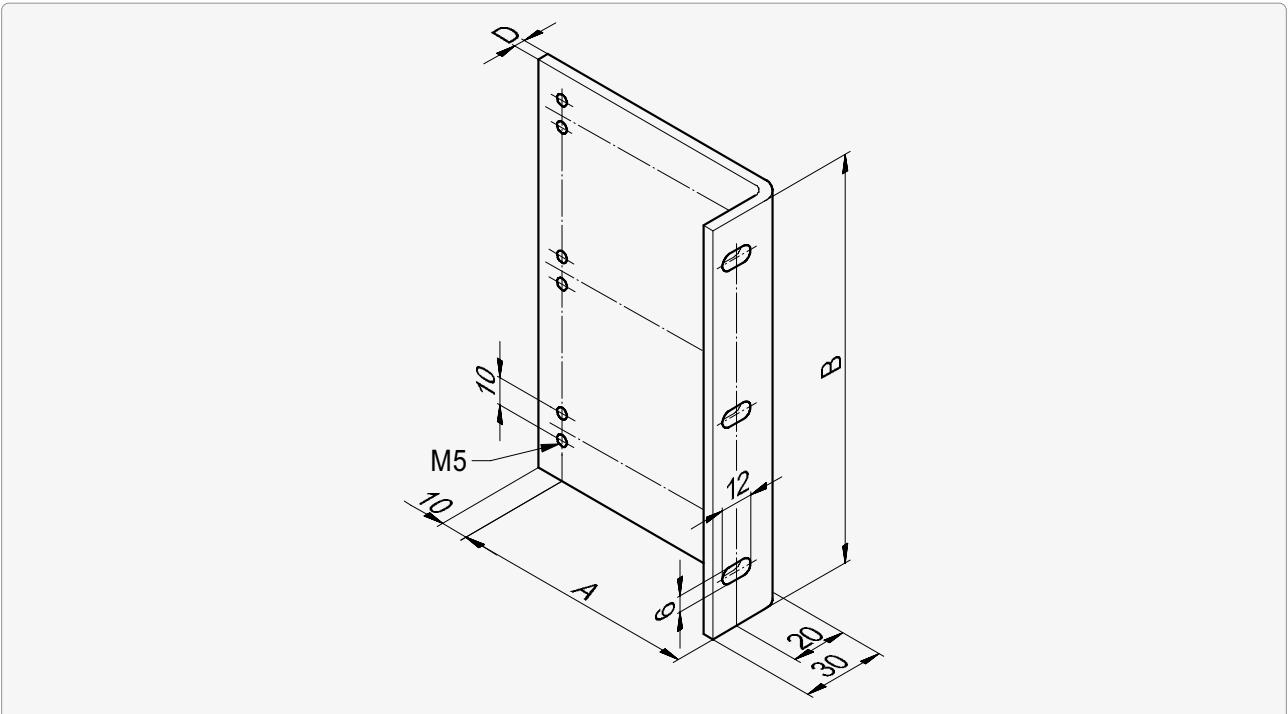
Bd Installation with continuous fastening bracket



Cd Installation with continuous fastening bracket



Continuous fastening bracket for types Bd and Cd

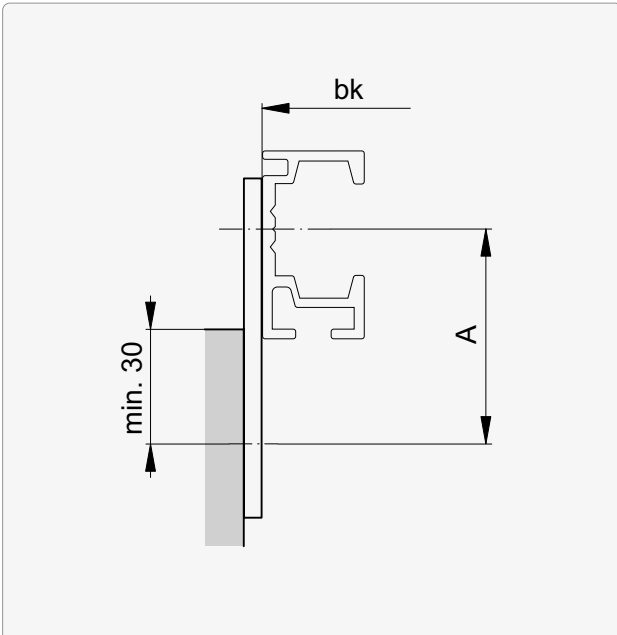


A*	D
20... 300	always 4

* in 5 mm steps

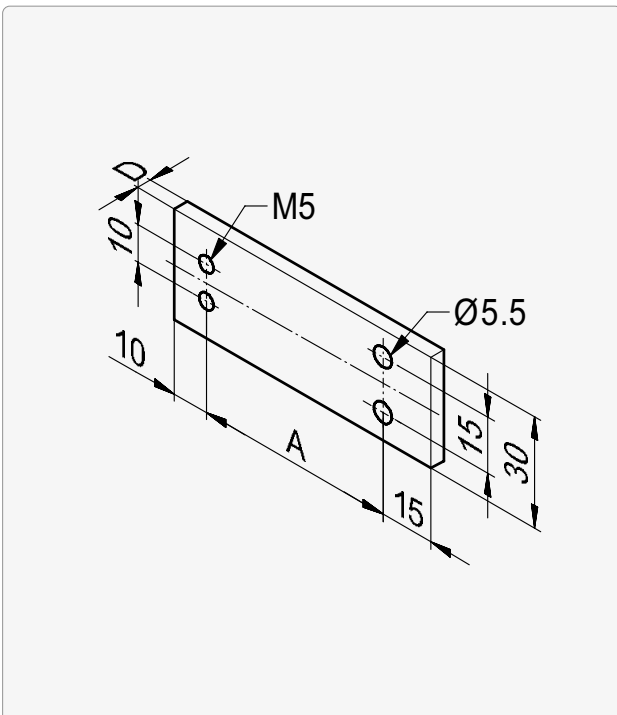
►► Guide rail fastenings (principle)

E | F Installation with fastening lug



inwards / outwards

Fastening lug for type E | F

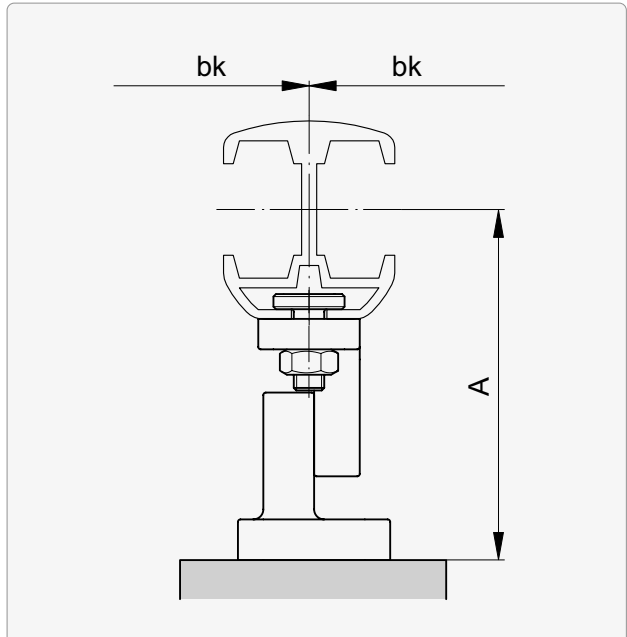
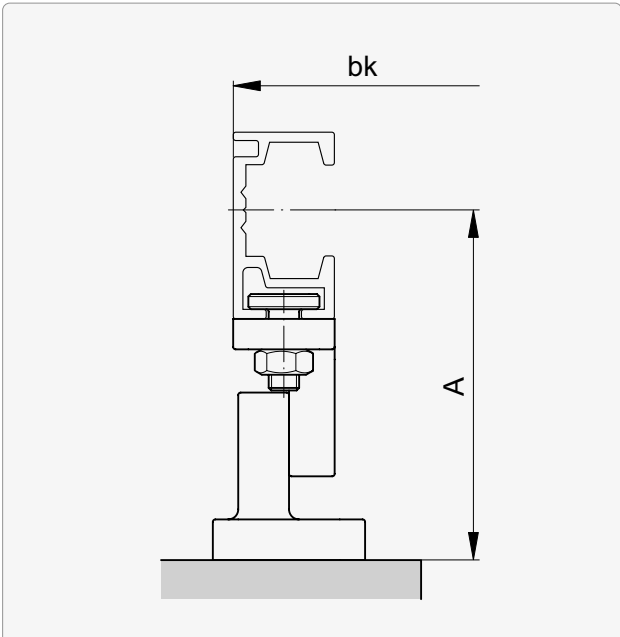


A*	D
50... 115	4
120... 125	5

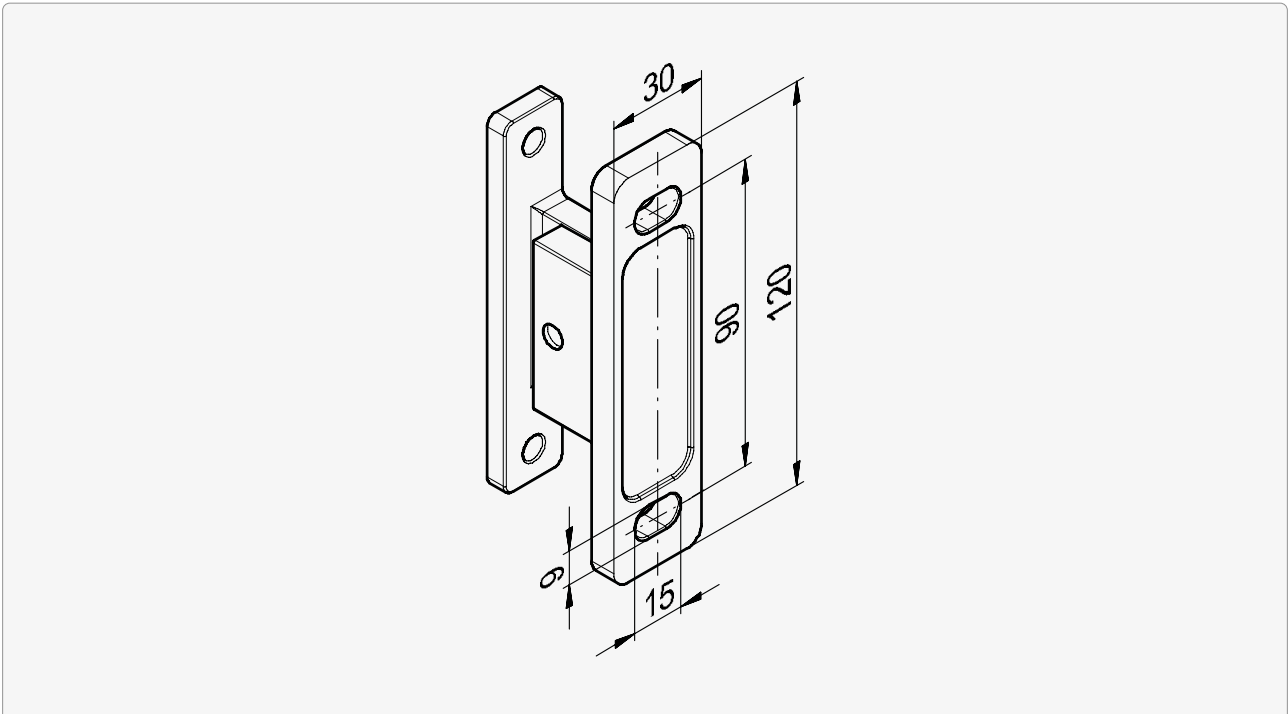
* in 5 mm steps

►► Guide rail fastenings (principle)

H Installation with spacer



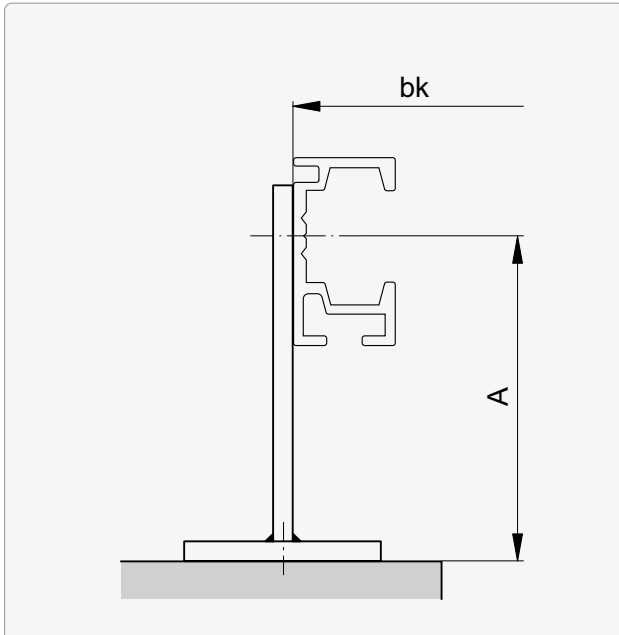
Spacer for type H



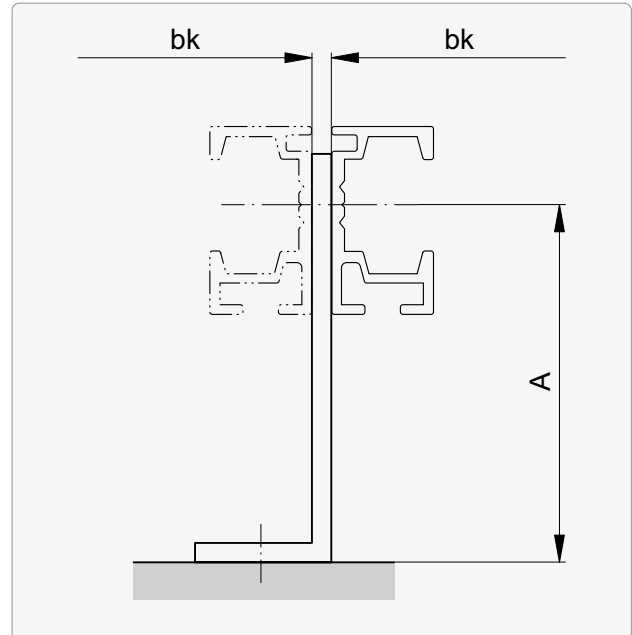
A
68 ... 140
Standard: 70

►► Guide rail fastenings (principle)

T Installation with T-bracket

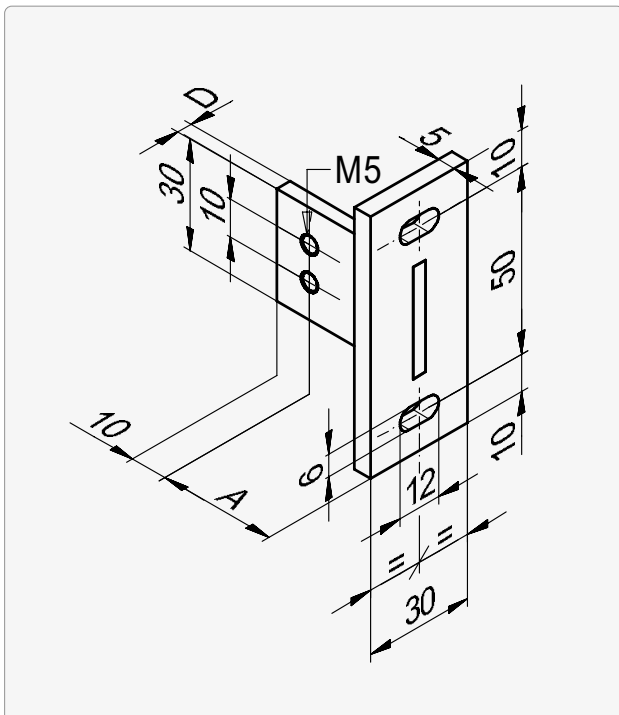


V Installation with one bracket



The blind on the right uses the fastening for the blind on the left.

T-bracket for type T

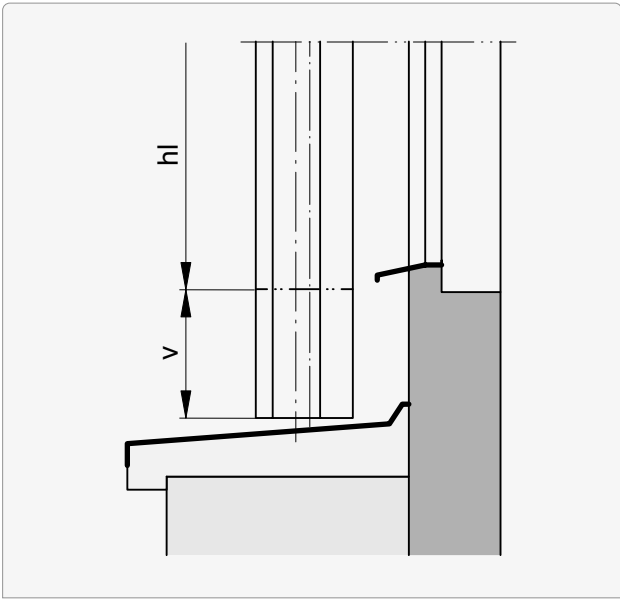


A*	D
20... 115	4
120... 215	5

* in 5 mm steps

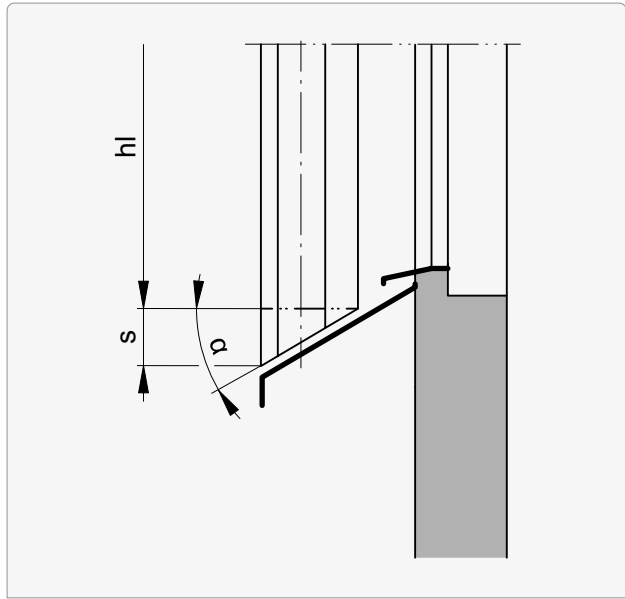
Guide extension and facet

Extension



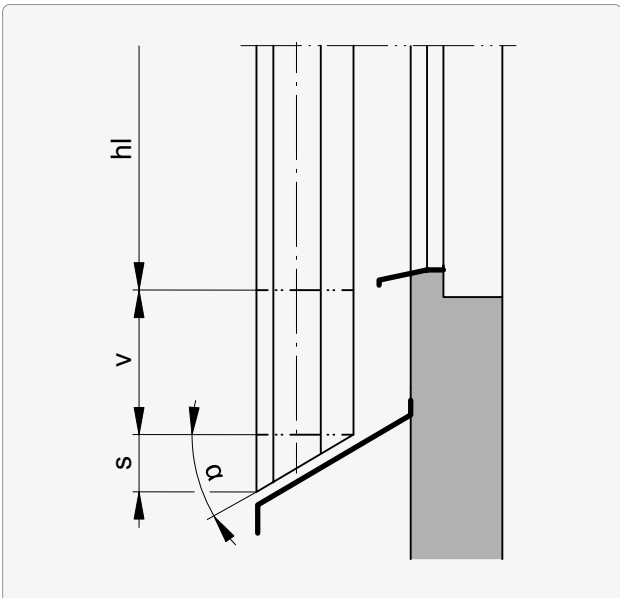
v
0 ... 1000

Facet



α
2 ... 66°

Extension and facet



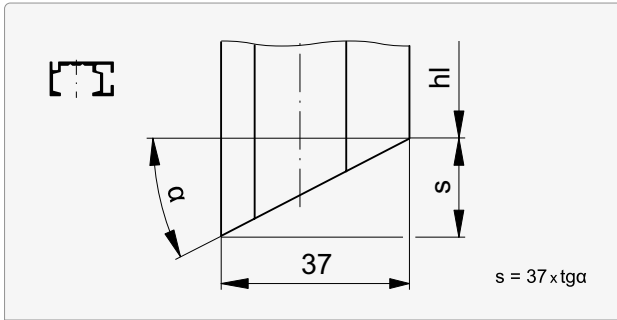
v
0 ... 1000

α
2 ... 66°

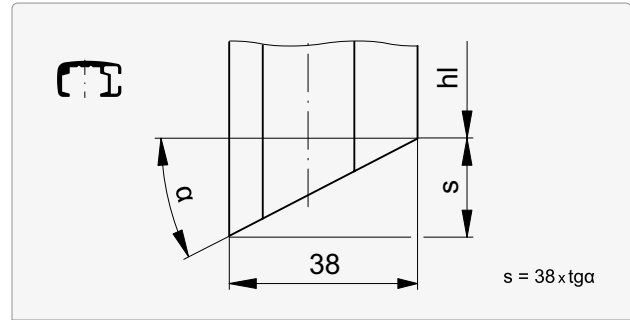
➔ Value for s 179

Angling at the guides

Square



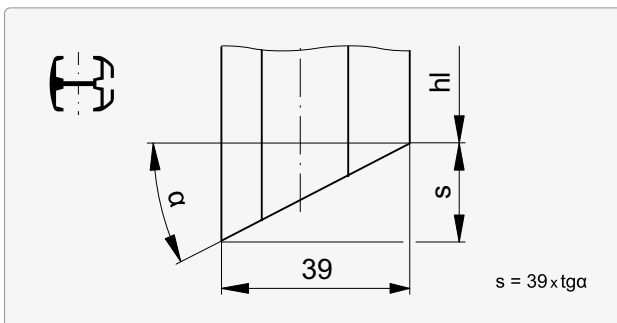
Circular



α	s	α	s	α	s	α	s	α	s	α	s	α	s
2	1	12	8	22	15	32	23	42	33	52	47		
3	2	13	9	23	16	33	24	43	35	53	49		
4	3	14	9	24	16	34	25	44	36	54	51		
5	3	15	10	25	17	35	26	45	37	55	53		
6	4	16	11	26	18	36	27	46	38	56	55		
7	5	17	11	27	19	37	28	47	40	57	57		
8	5	18	12	28	20	38	29	48	41	58	59		
9	6	19	13	29	21	39	30	49	43	59	62		
10	7	20	13	30	21	40	31	50	44	60	64		
11	7	21	14	31	22	41	32	51	46	61	67		

α	s	α	s	α	s	α	s	α	s	α	s	α	s
2	1	12	8	22	15	32	24	42	34	52	49		
3	2	13	9	23	16	33	25	43	35	53	50		
4	3	14	9	24	17	34	26	44	37	54	52		
5	3	15	10	25	18	35	27	45	38	55	54		
6	4	16	11	26	19	36	28	46	39	56	56		
7	5	17	12	27	19	37	29	47	41	57	59		
8	5	18	12	28	20	38	30	48	42	58	61		
9	6	19	13	29	21	39	31	49	44	59	63		
10	7	20	14	30	22	40	32	50	45	60	66		
11	7	21	15	31	23	41	33	51	47	61	69		

Double guide



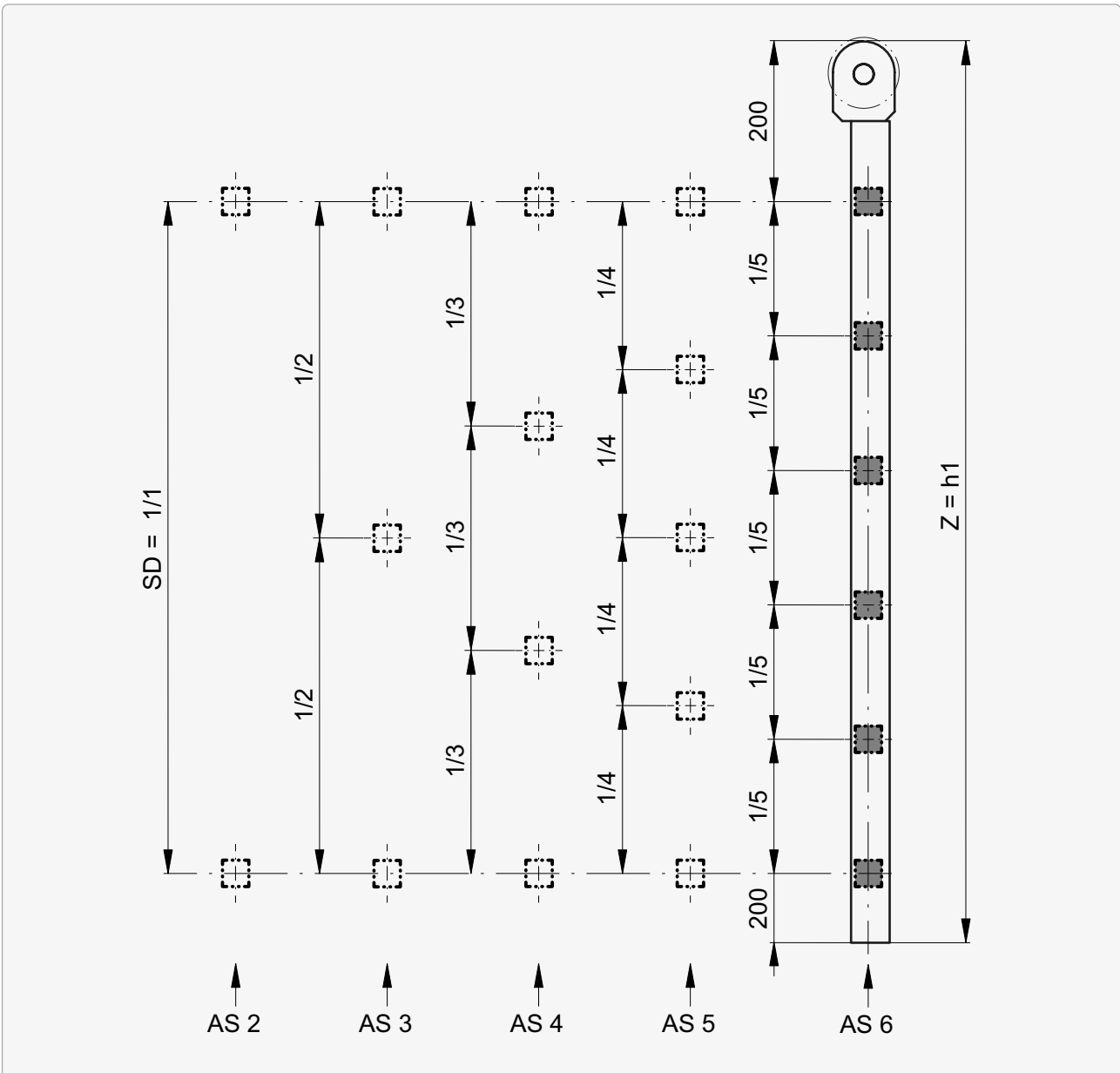
α	s	α	s	α	s	α	s	α	s	α	s
2	1	12	8	22	16	32	24	42	35	52	50
3	2	13	9	23	17	33	25	43	36	53	52
4	3	14	10	24	17	34	26	44	38	54	54
5	3	15	10	25	18	35	27	45	39	55	56
6	4	16	11	26	19	36	28	46	40	56	58
7	5	17	12	27	20	37	29	47	42	57	60
8	5	18	13	28	21	38	30	48	43	58	62
9	6	19	13	29	22	39	32	49	45	59	65
10	7	20	14	30	23	40	33	50	46	60	68
11	8	21	15	31	23	41	34	51	48	61	70

Fastening points Sigara®

Without extension

Z	AS*
≤ 1400	2
1401 ... 2400	3
2401 ... 3400	4
3401 ... 4400	5
> 4400	6

i *For AS≠3:
Distribution of the dimension **h1 – 400** in (AS – 1) same pieces.



AS Number of slits

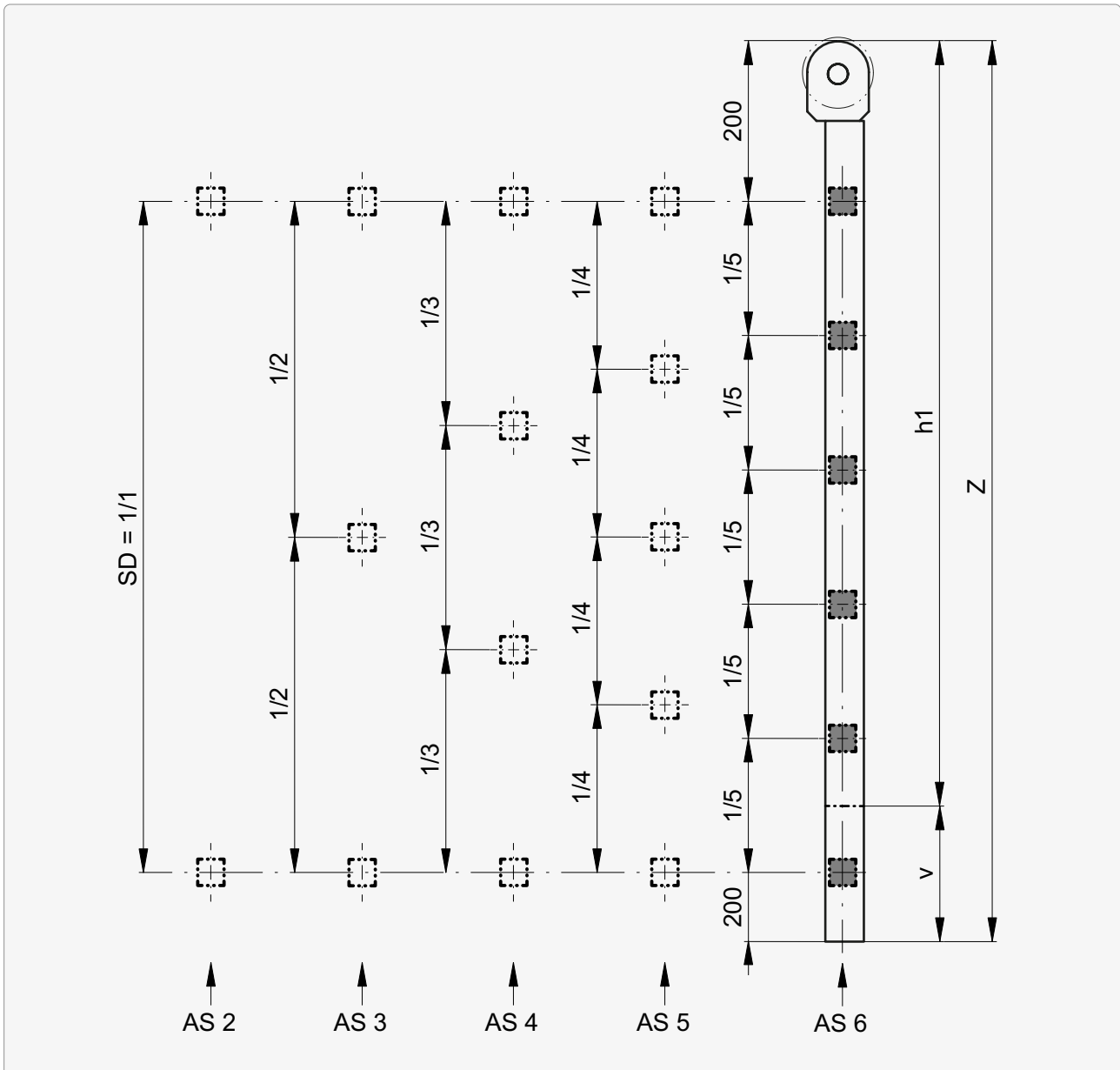
SD Slot spacing: max. 1000

►► Fastening points Sigara®

With guide rail extension

Z	AS*
≤ 1400	2
1401 ... 2400	3
2401 ... 3400	4
3401 ... 4400	5
> 4400	6

i *For AS≠3:
Distribution of the dimension **h1 – 400** in (AS – 1) same pieces.



AS Number of slits
SD Slot spacing: max. 1000

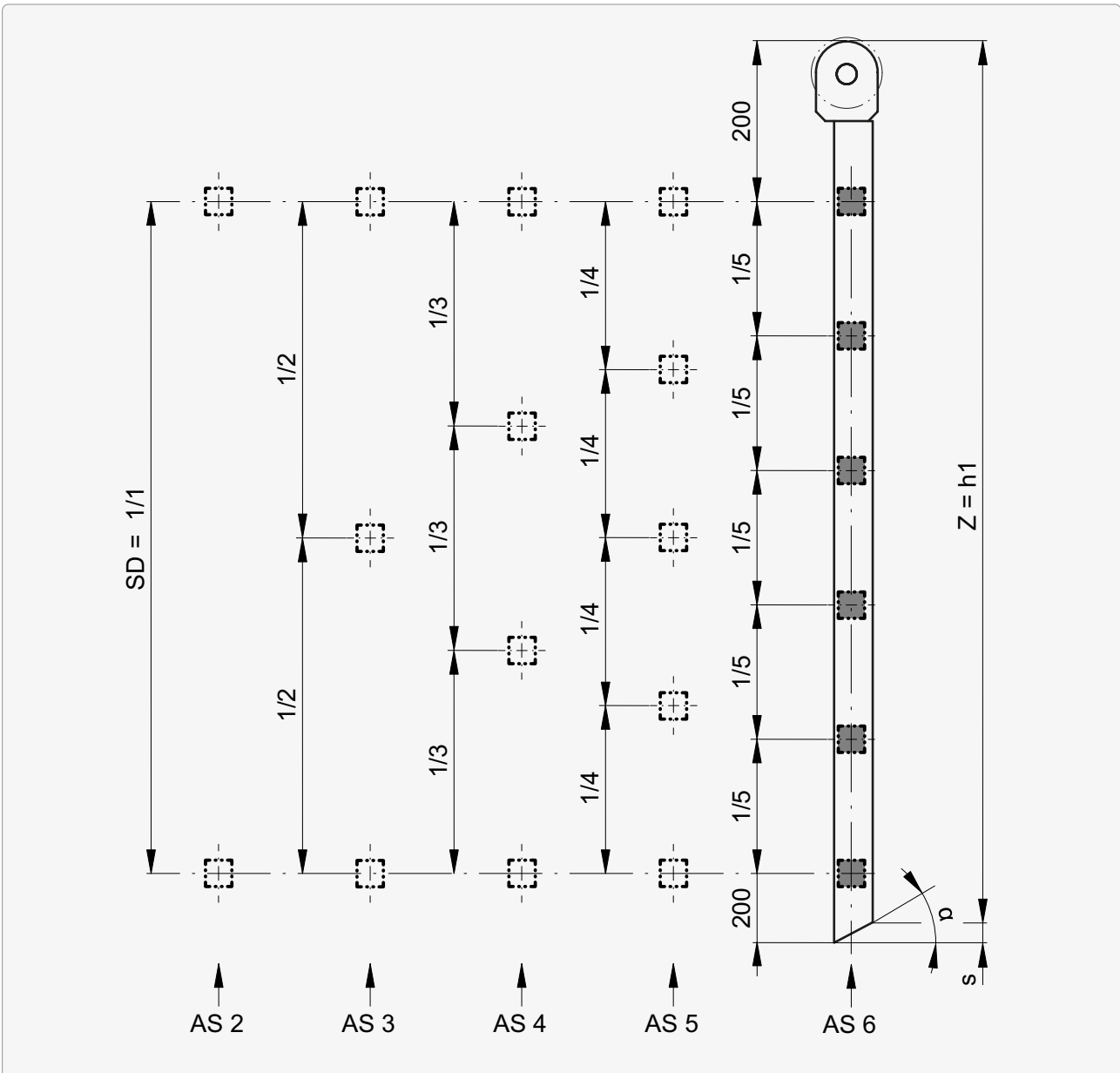
v Guide rail extension, max. 1000

►► **Fastening points Sigara®**

With facet

Z	AS*
≤ 1400	2
1401 ... 2400	3
2401 ... 3400	4
3401 ... 4400	5
> 4400	6

i *For AS≠3:
Distribution of the dimension **h1 – 400** in (AS – 1) same pieces.



AS Number of slits

SD Slot spacing: max. 1000

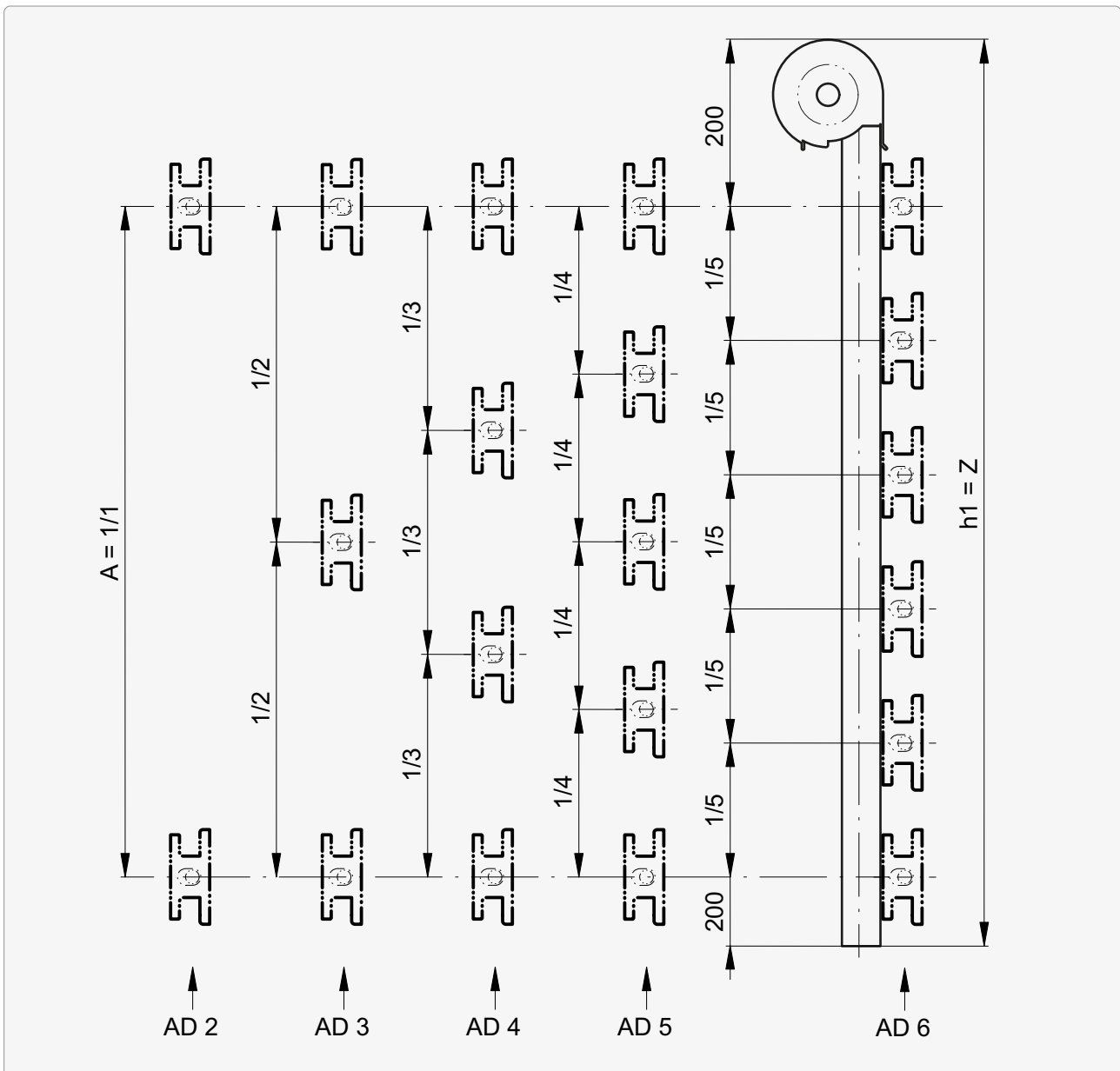
s Faceting (guide rail width x $\tan \alpha$)

Fastening points Sigara® Box

Without extension

Z	AD*
≤ 1400	2
1401 ... 2400	3
2401 ... 3400	4
3401 ... 4400	5
> 4400	6

i *For AD≠3:
Distribution of the dimension **h1 – 400** in **(AD – 1)** same pieces.



A Distance between spacers

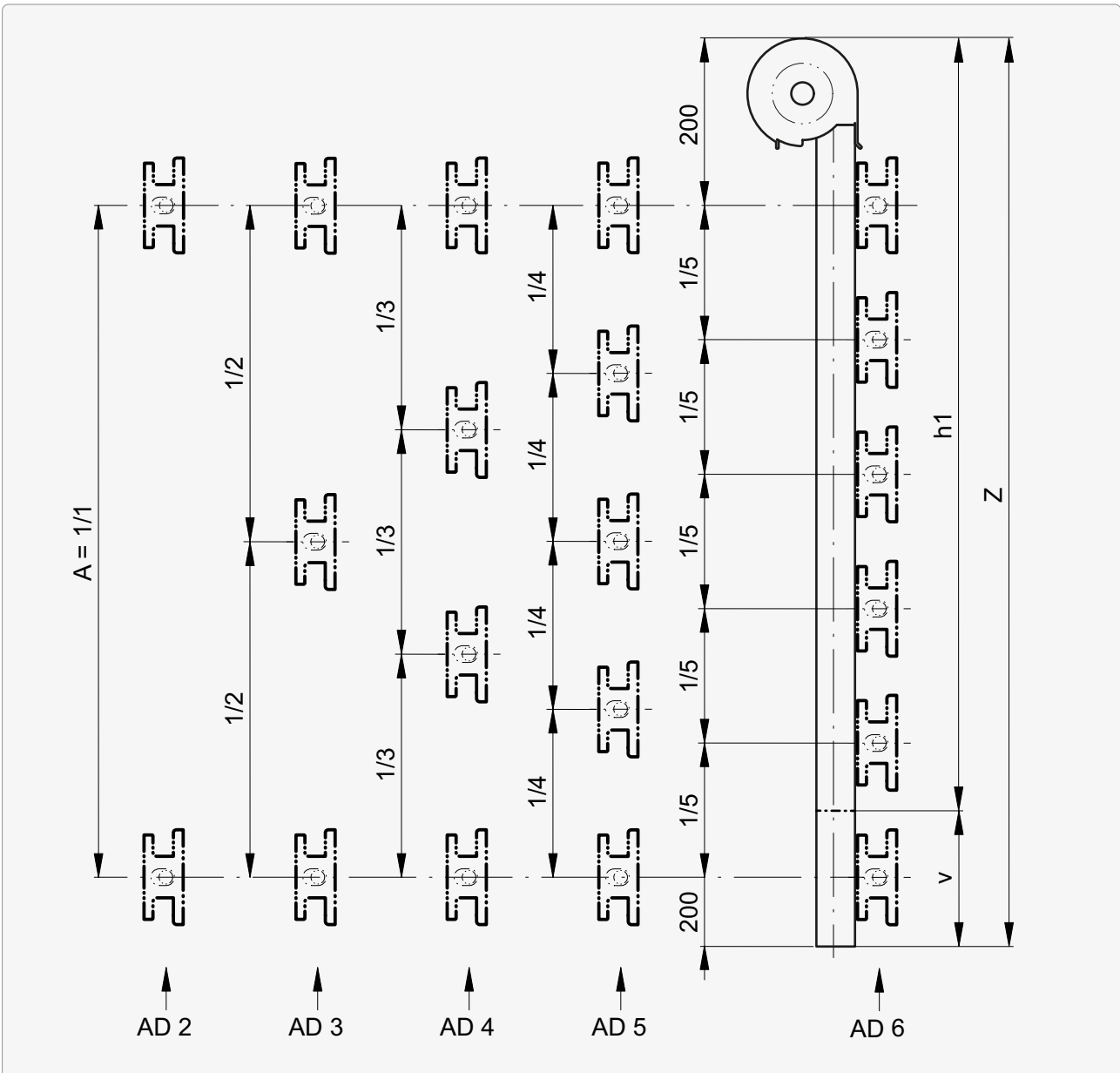
AD Number of spacer

►► **Fastening points Sigara® Box**

With guide rail extension

Z	AD*
≤ 1400	2
1401 ... 2400	3
2401 ... 3400	4
3401 ... 4400	5
> 4400	6

i *For AD≠3:
Distribution of the dimension **h1 – 400** in **(AD – 1)** same pieces.



A Distance between spacers

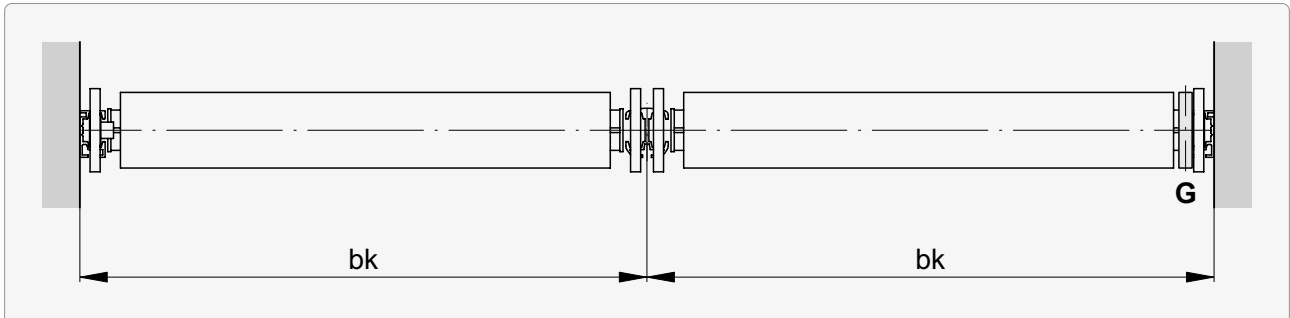
v Guide rail extension, max. 1000

AD Number of spacer

Connected systems

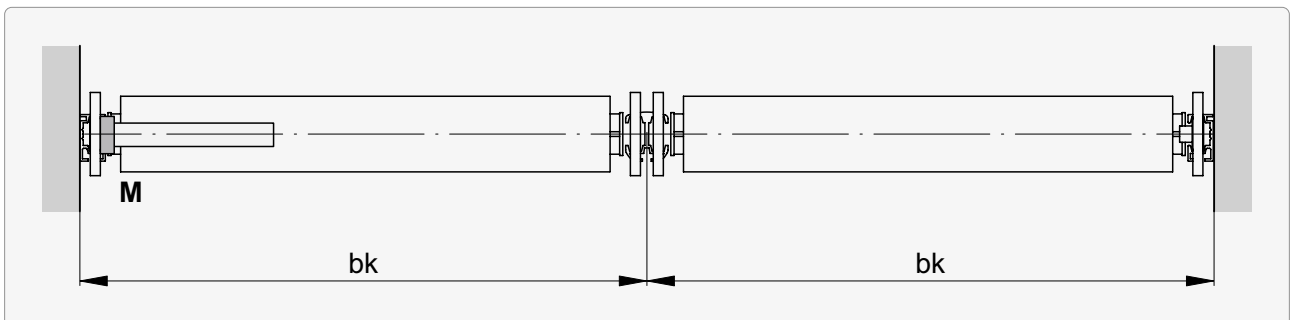
With crank drive

Fix

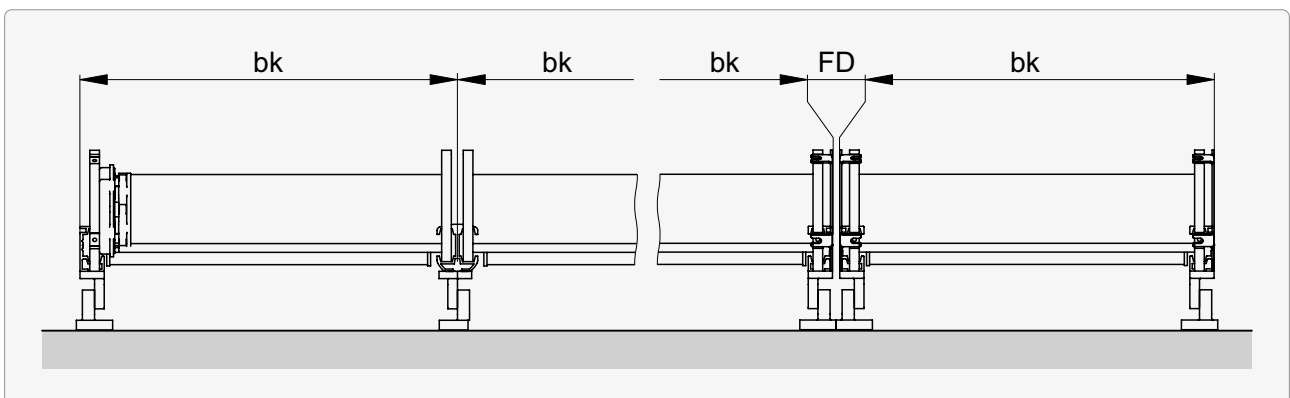


With motor drive

Fix



Box

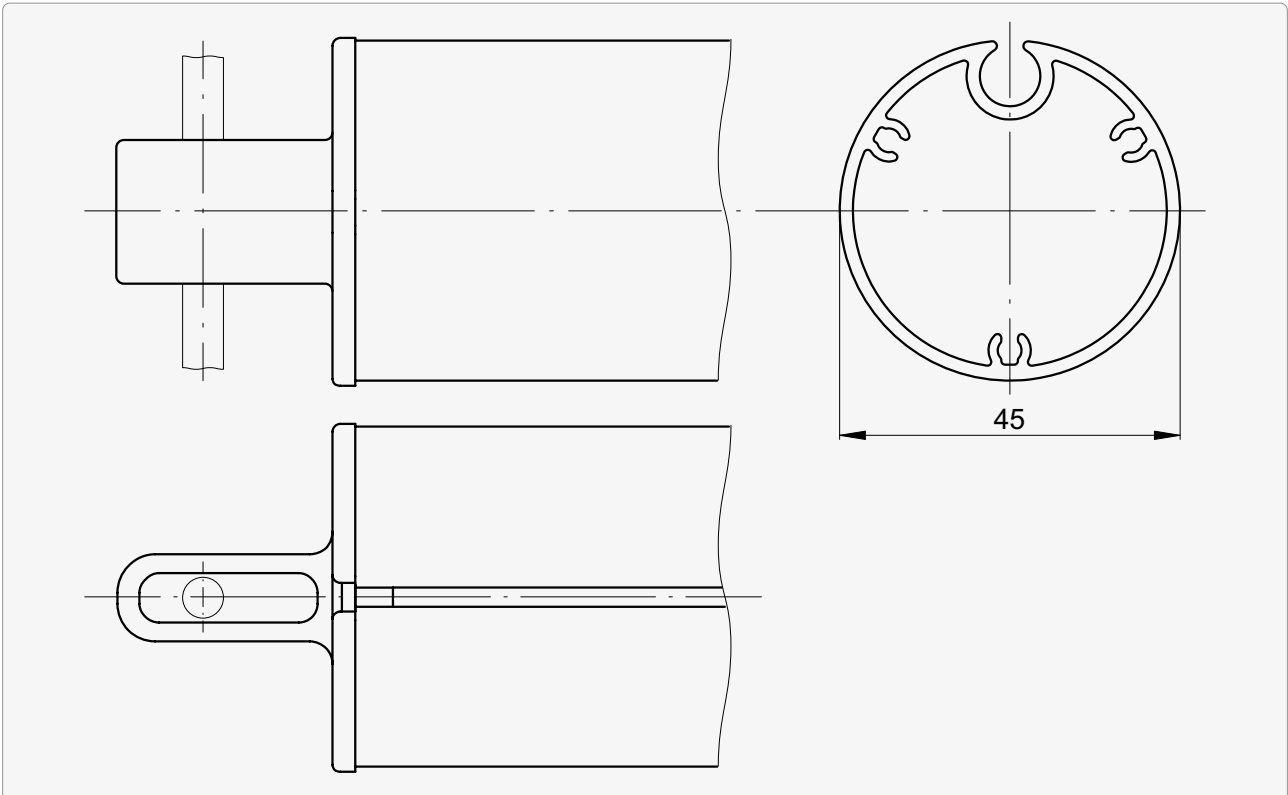


FD

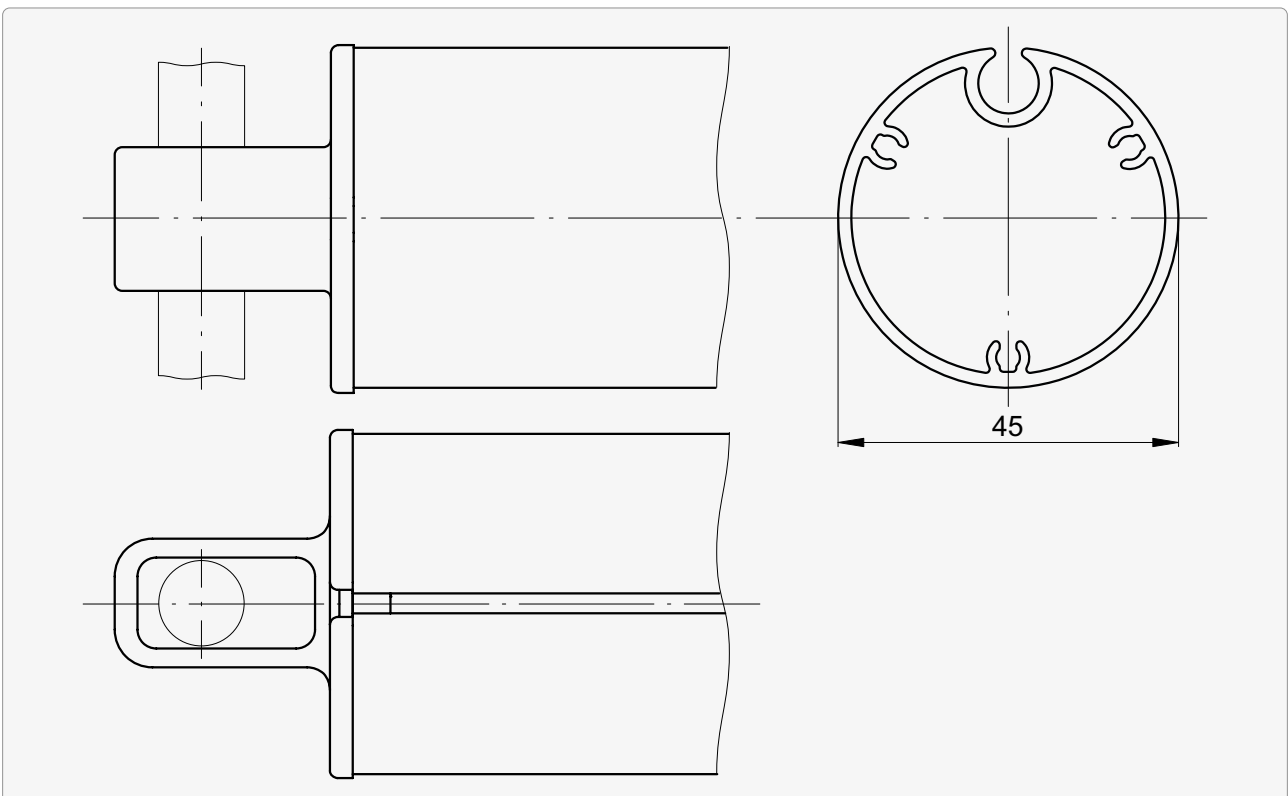
5 ... 320

Bottom rails

Guide cable

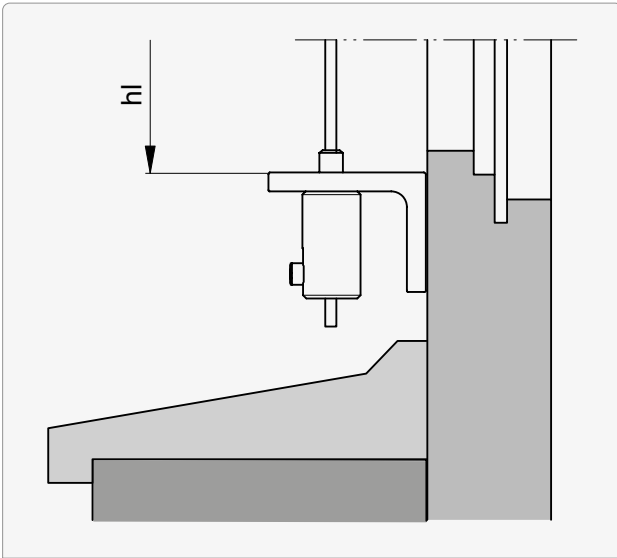


Guide slat



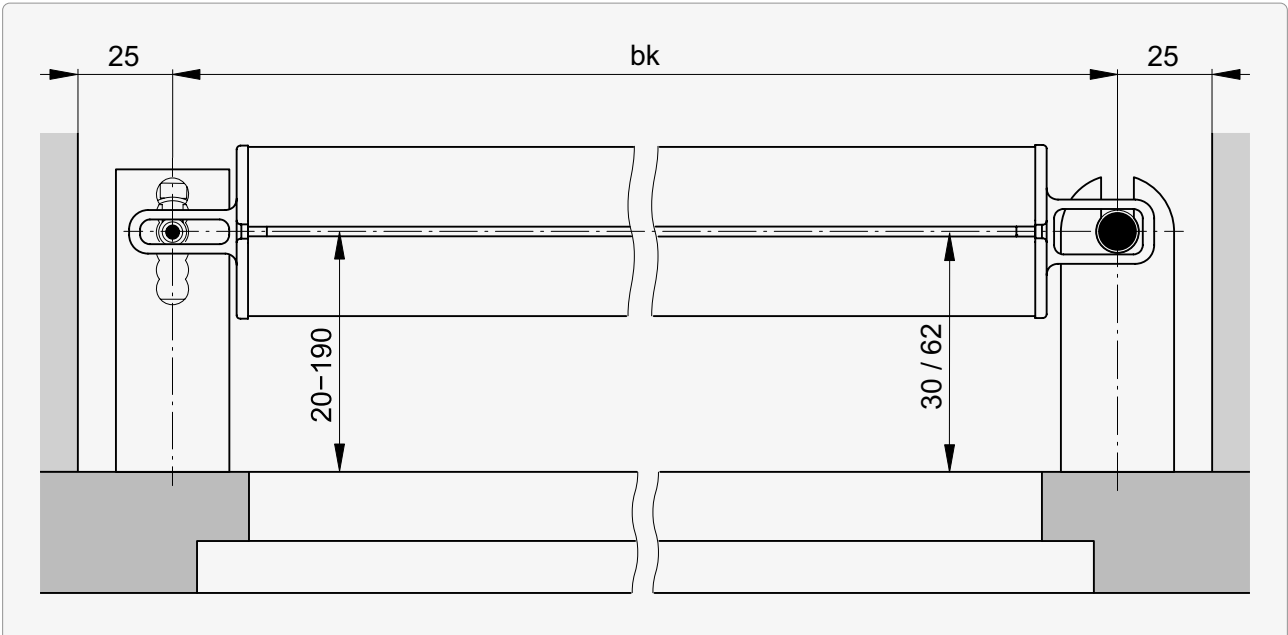
Guide cable / Guide slat

Soffit- / facade mounting

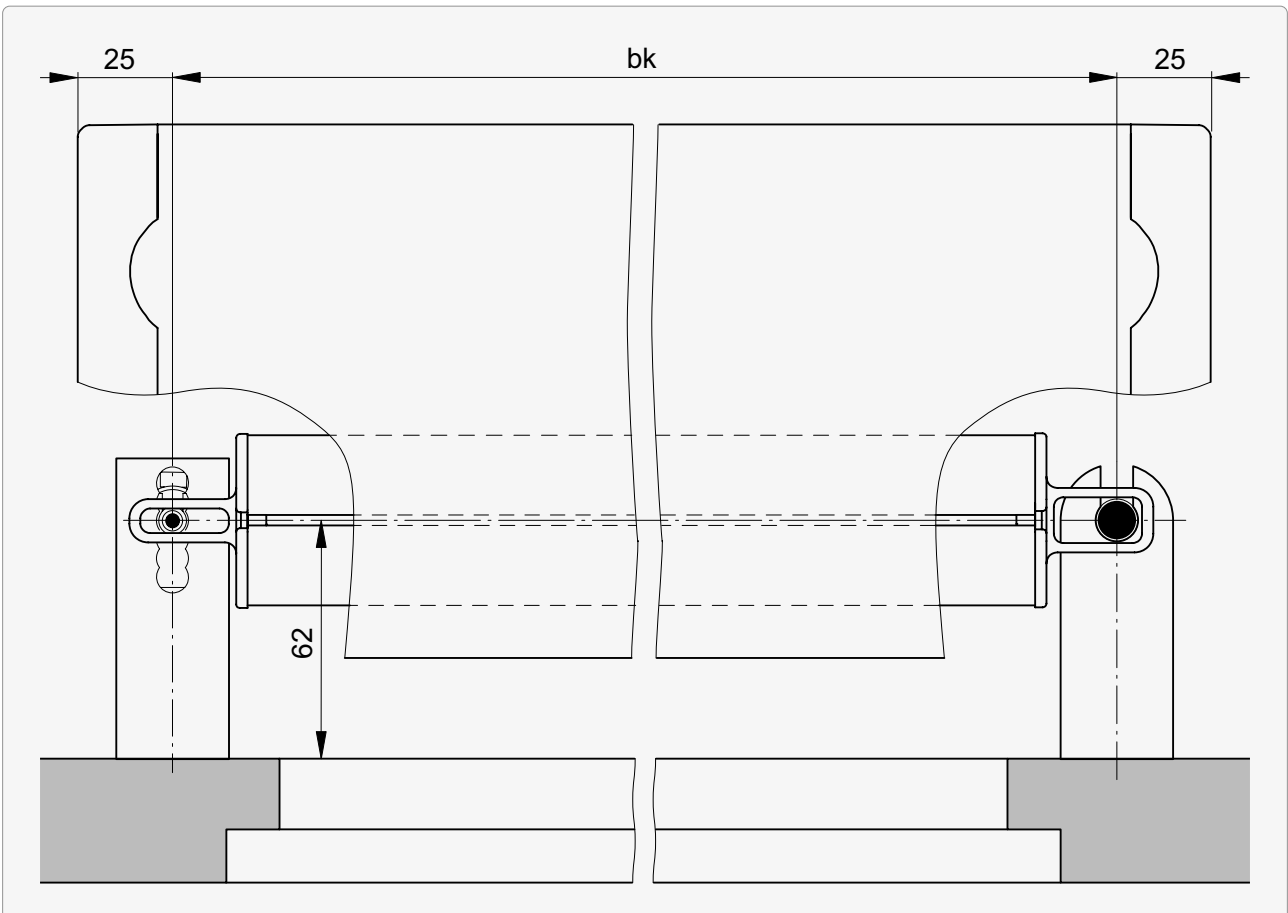


Sections | Details

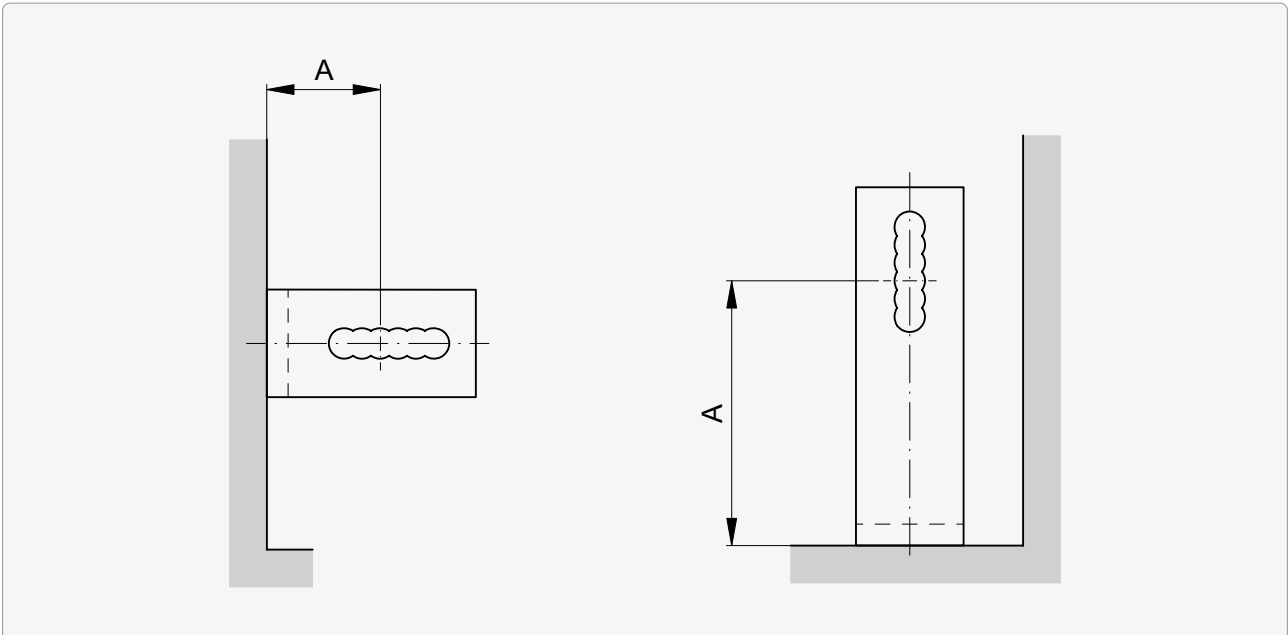
Horizontal section: Built-in system



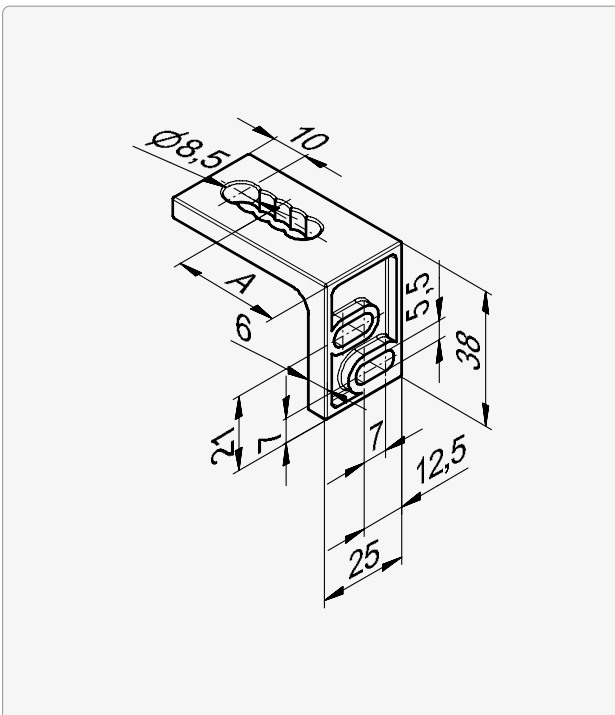
Horizontal section: Installation system



Guide cable fastenings

S Soffit or facade installation

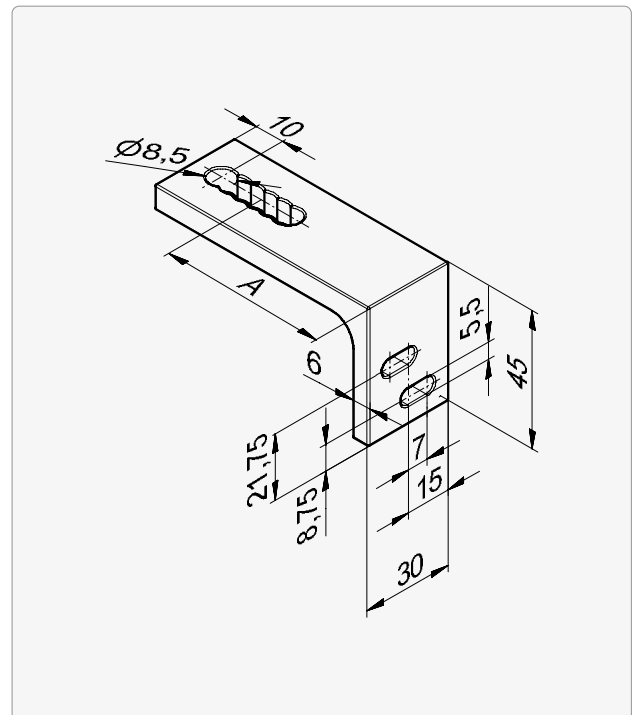
Tensioning bracket 20–40 for type S



A*

20...40

Tensioning bracket 45–70 for type S



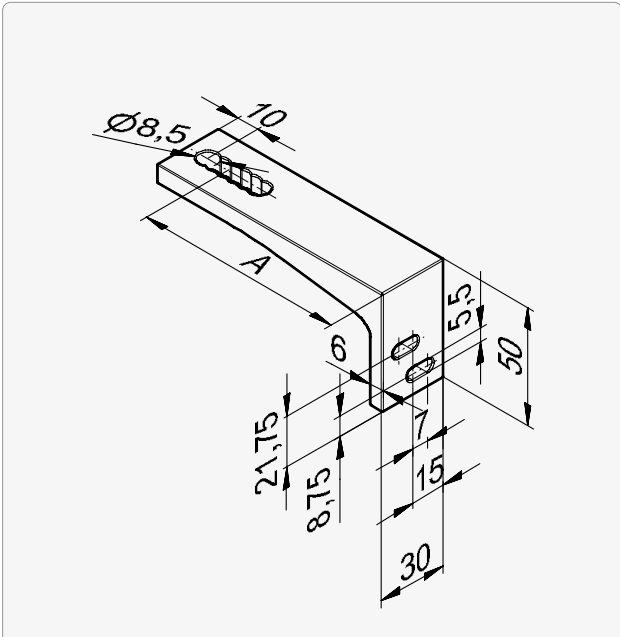
A*

45...70

* in 5 mm steps

►► Guide cable fastenings

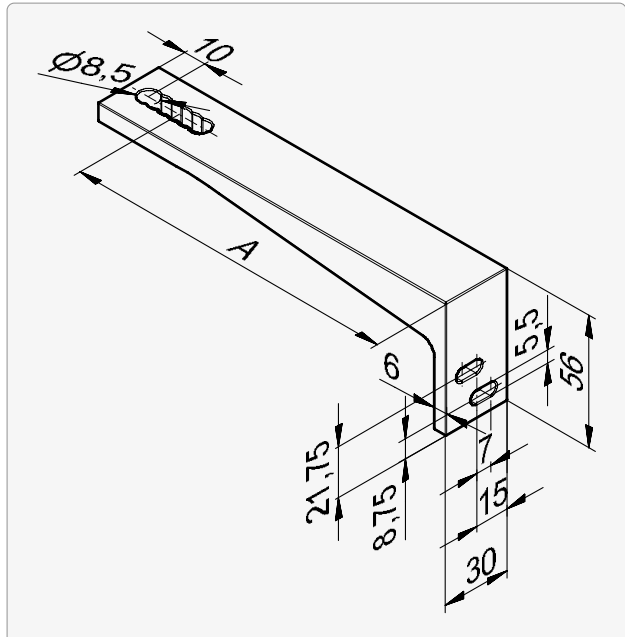
Tensioning bracket 75–130 for type S



A*

- 75... 100
- 105... 130

Tensioning bracket 135–190 for type S

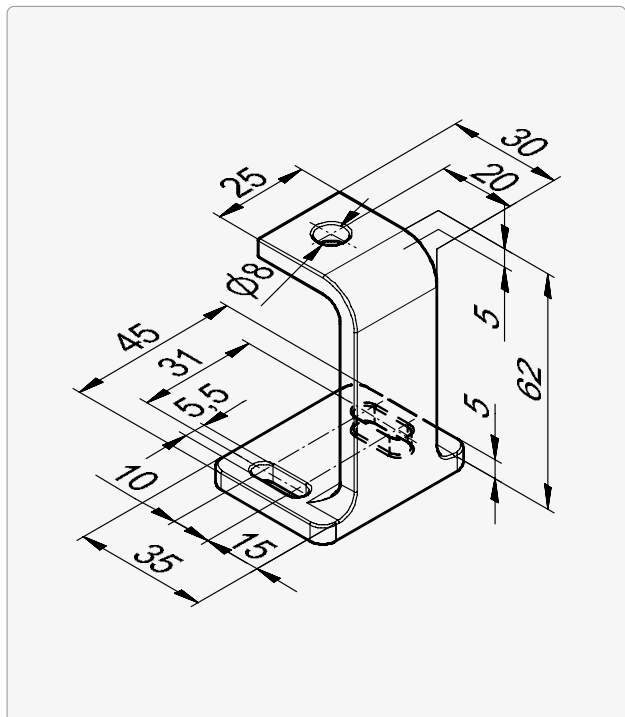
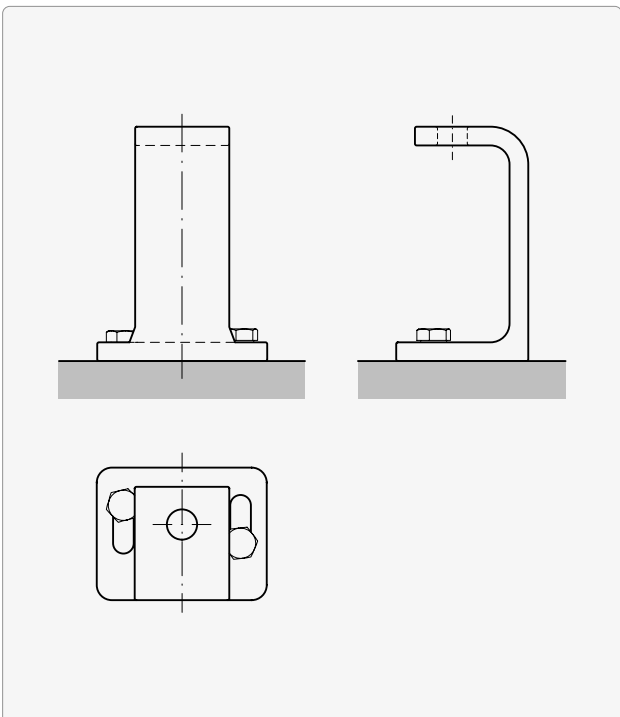


A*

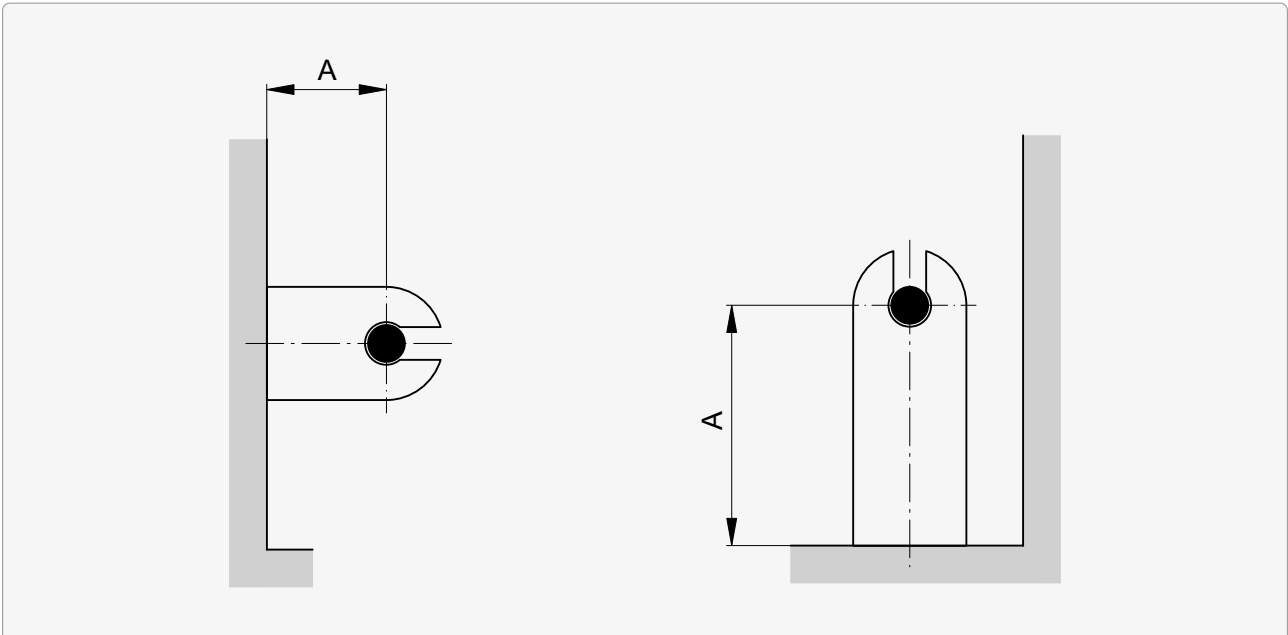
- 135... 160
- 165... 190

* in 5 mm steps

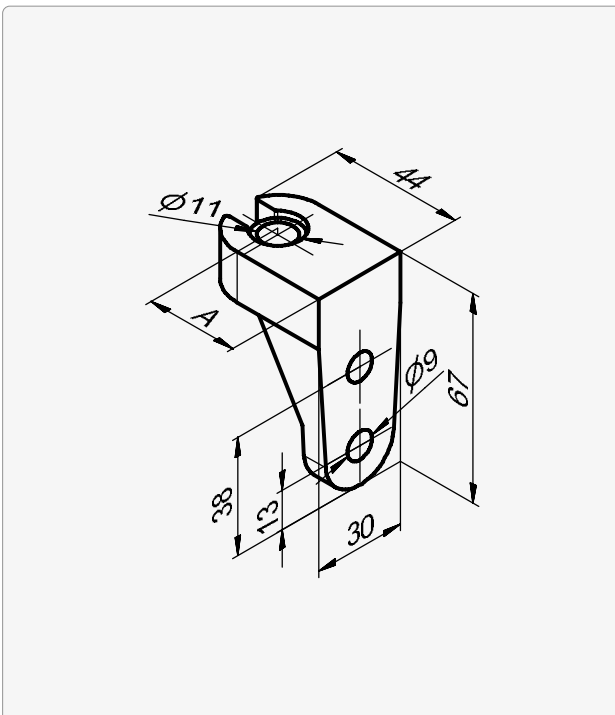
NU Windowsill installation



Guide slat fastenings

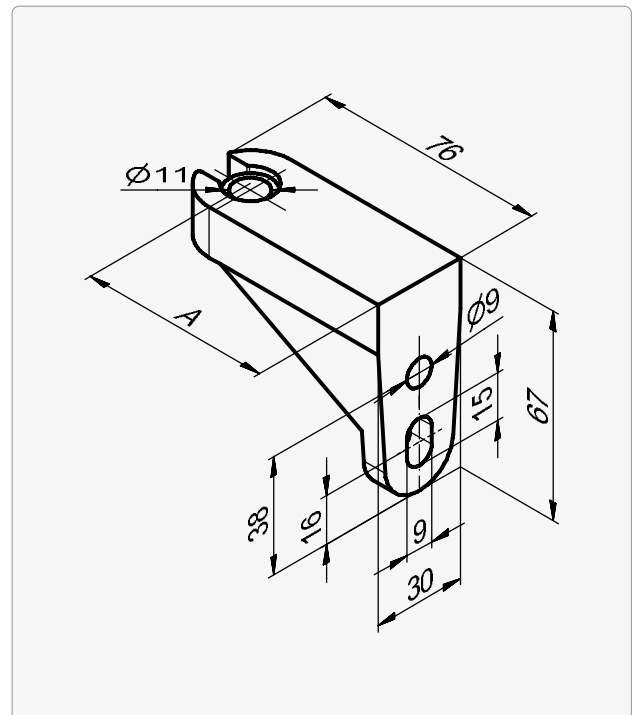
S Soffit or facade installation

Tensioning bracket for type S



A
30

Tensioning bracket for type S

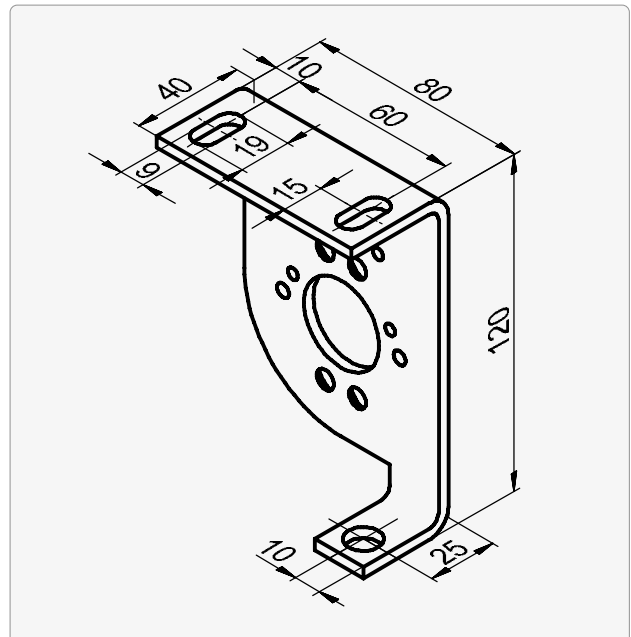
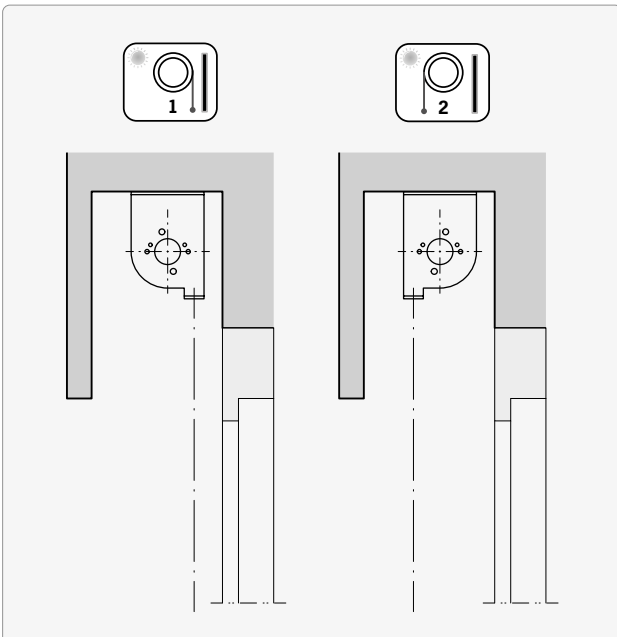


A
62

Bearing fastenings

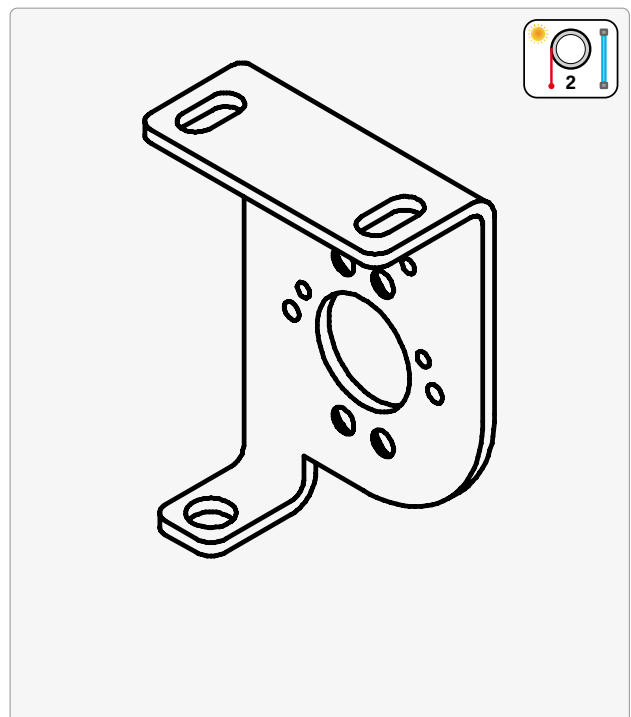
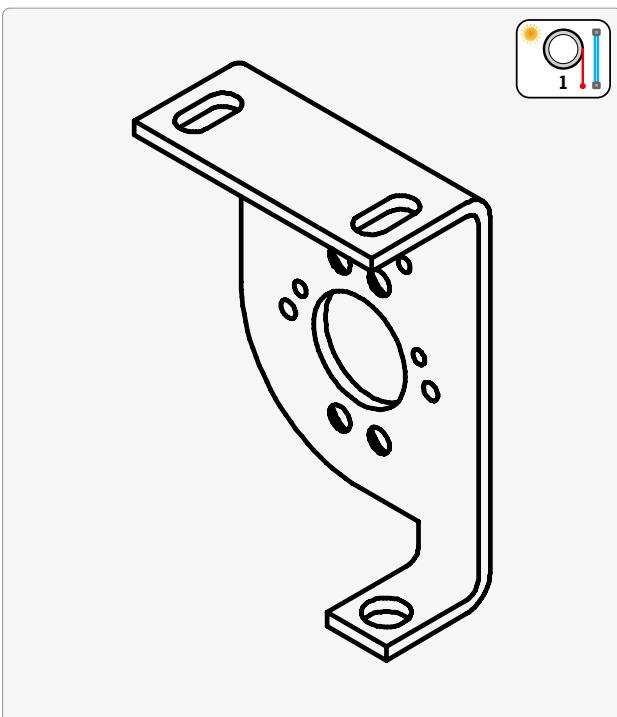
At top

NO



Sheet metal support right for type NO

Sheet metal support right for type NO



►► Bearing fastenings

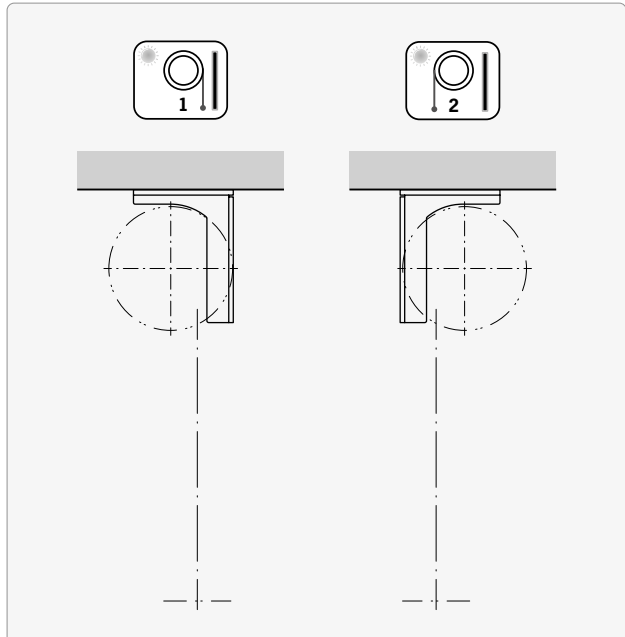
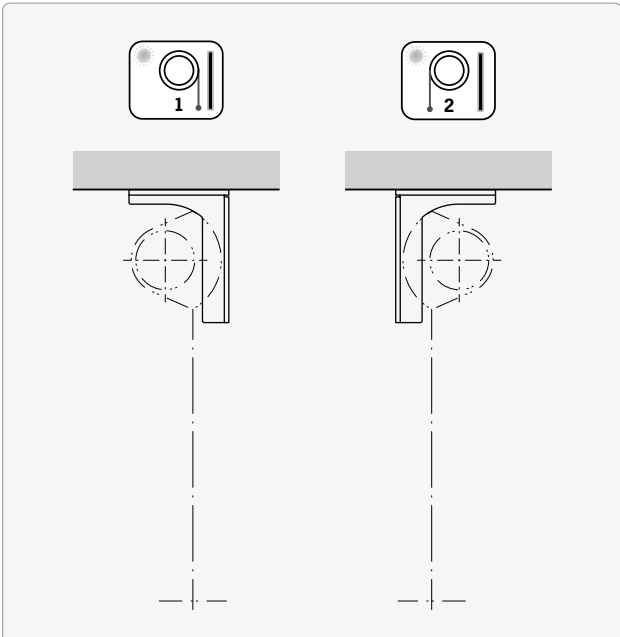
At top | Designer bearing

NO

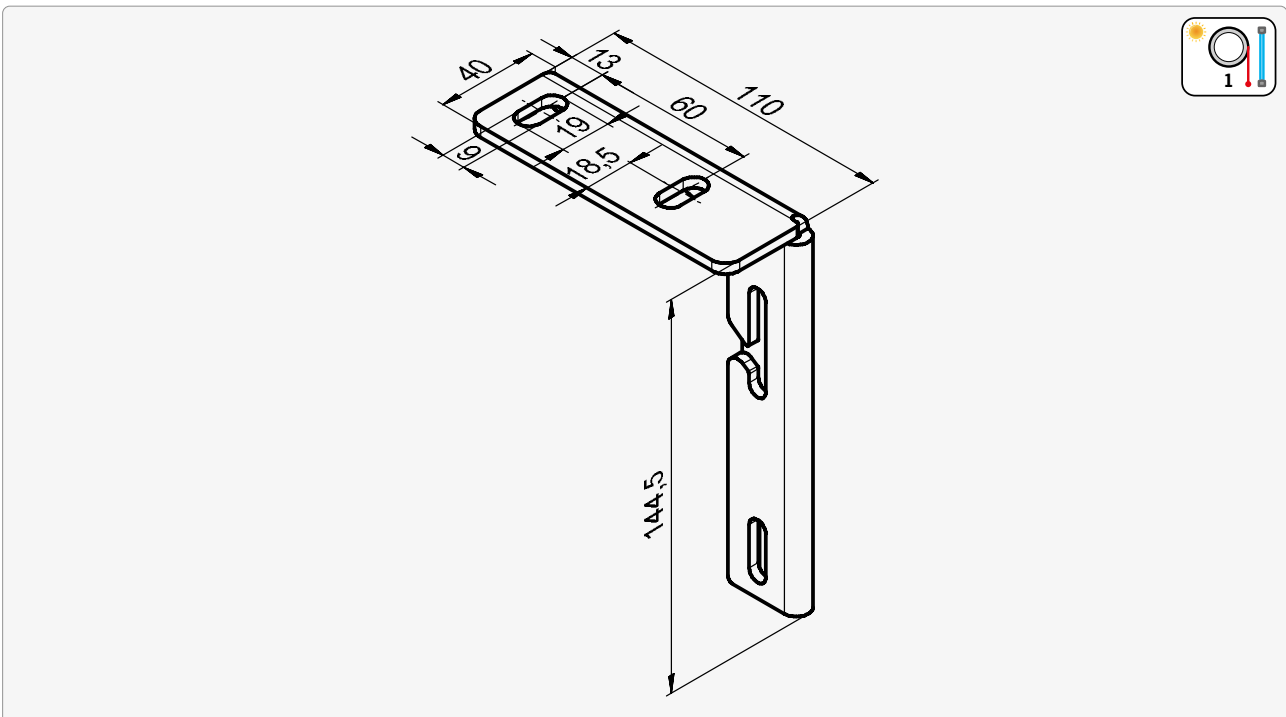
At top | Designer bearing

Box

NO



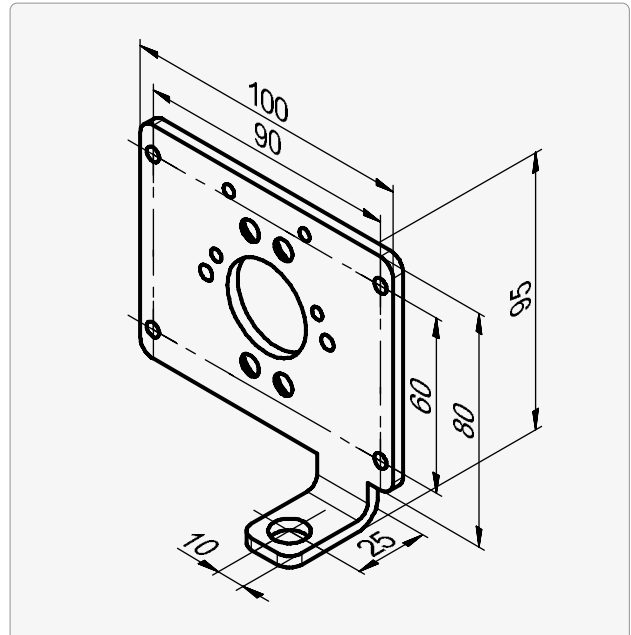
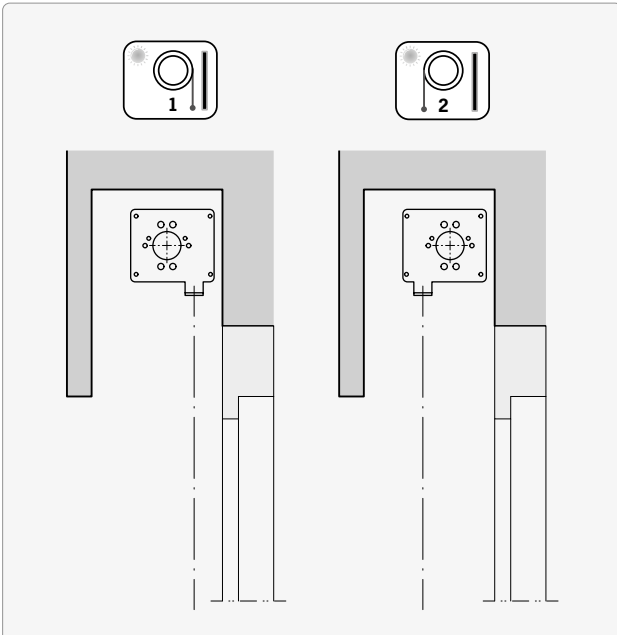
Installation clip right for type NO



►► Bearing fastenings

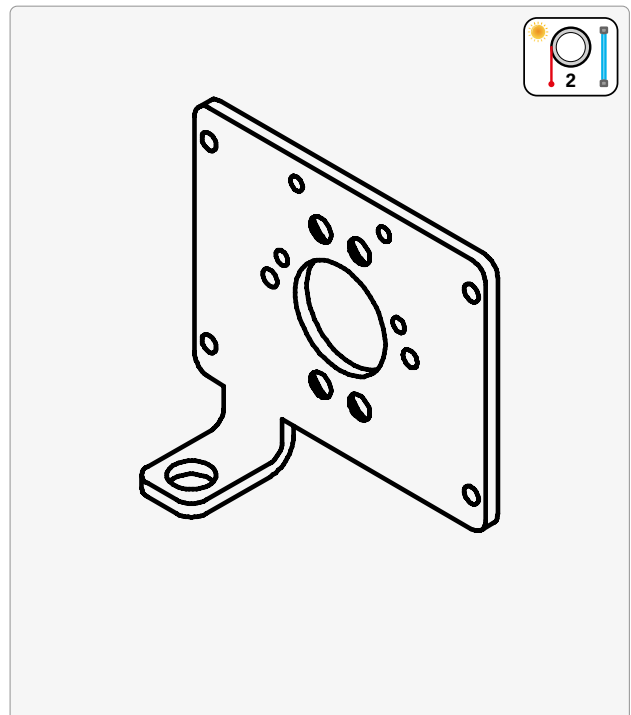
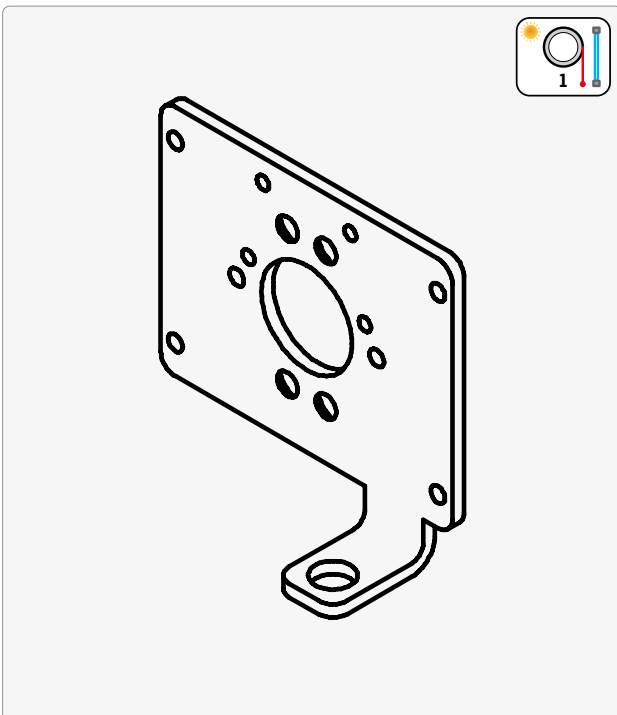
At side

NS



Sheet metal support right for type NS

Sheet metal support right for type NS



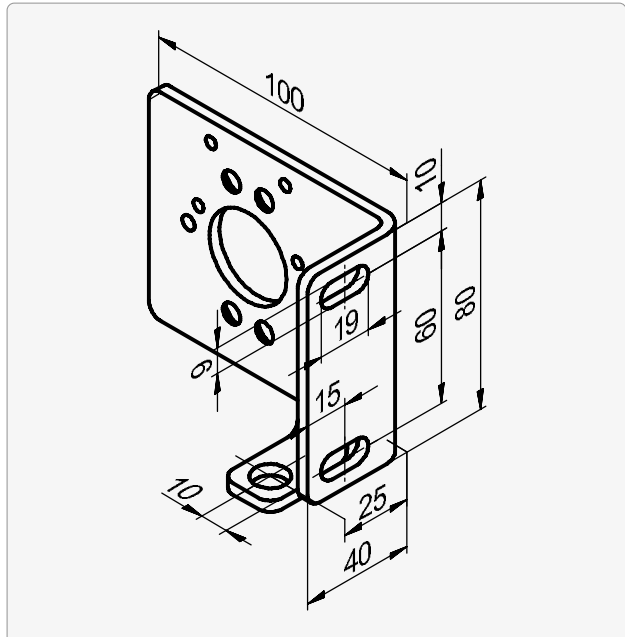
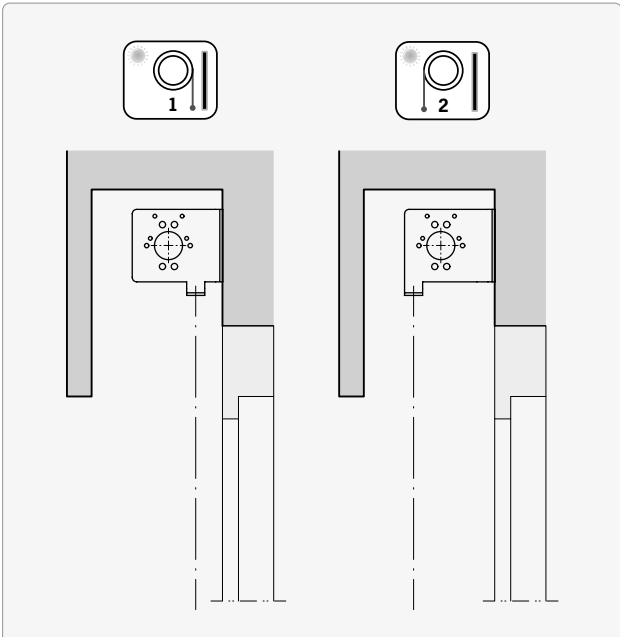
i Increase gap at side

i Increase gap at side

►► Bearing fastenings

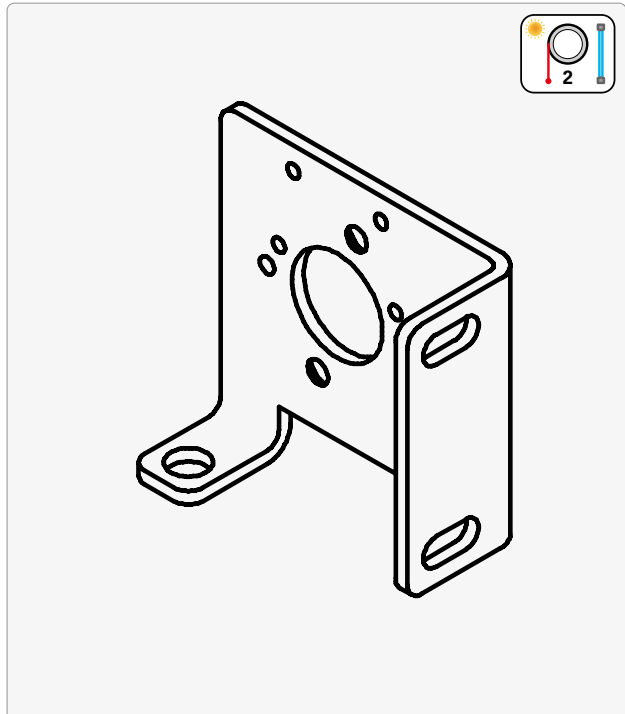
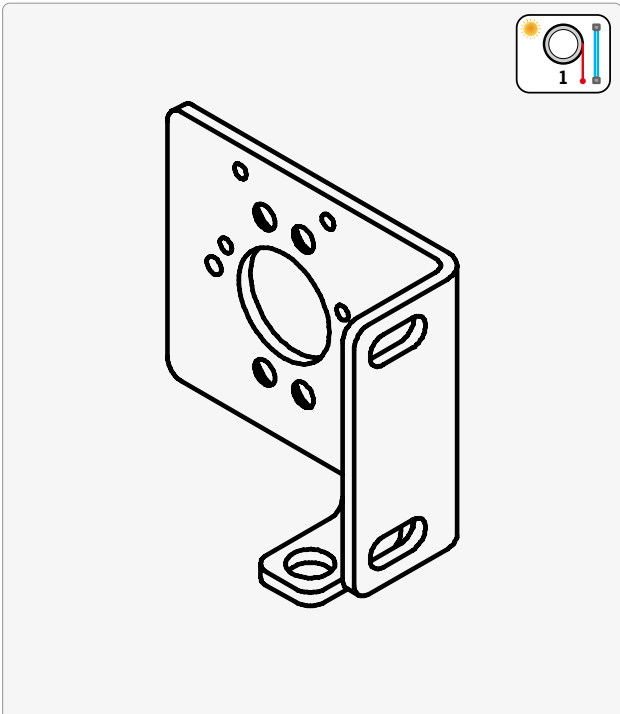
At back | Fix

NHf



Sheet metal support right for type NHf

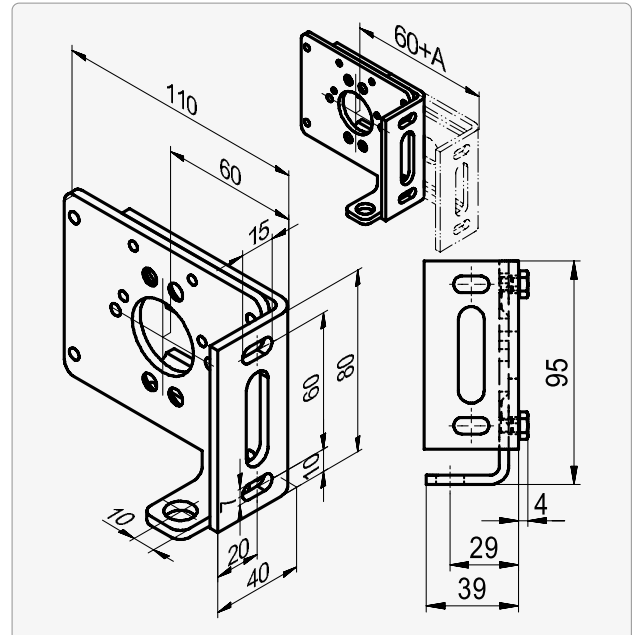
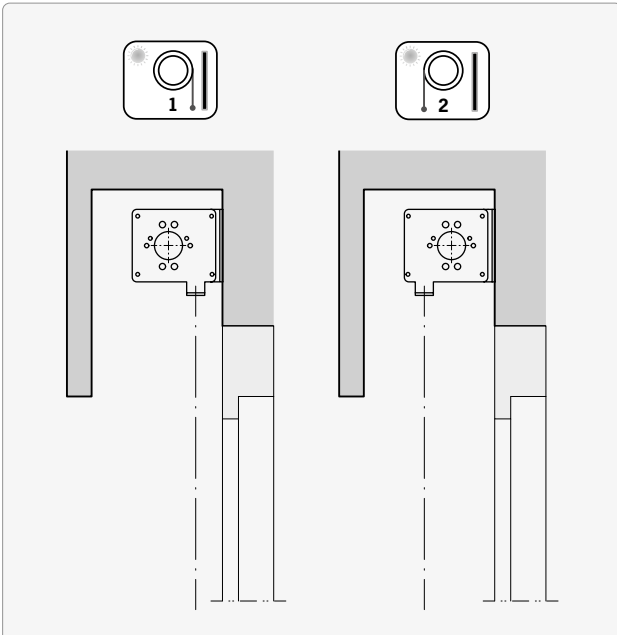
Sheet metal support right for type NHf



►► Bearing fastenings

At back | Adjustable

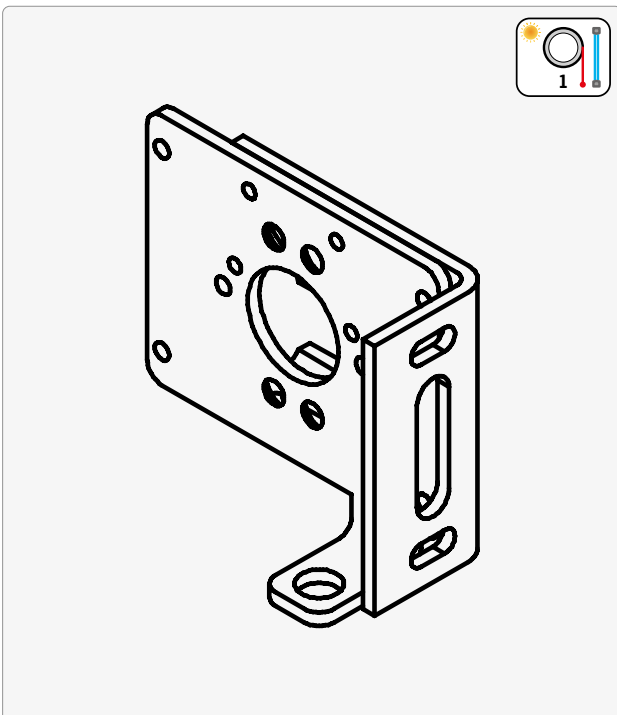
NHv



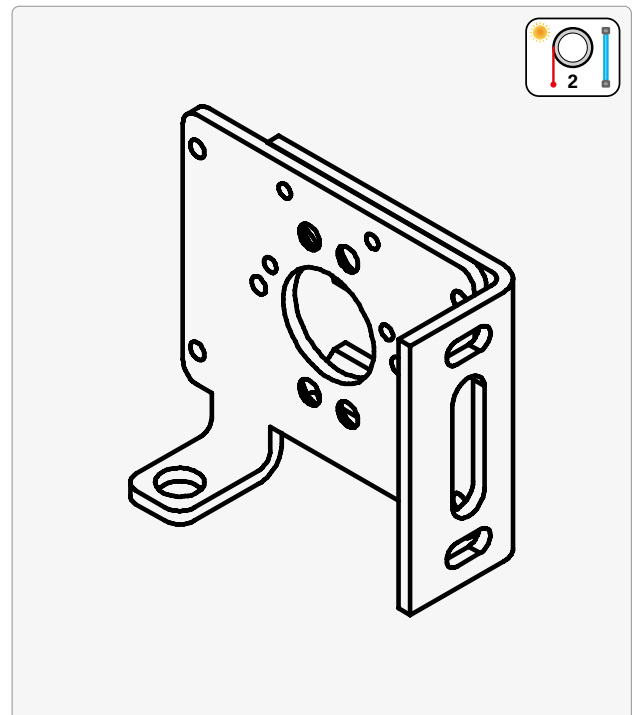
A

0... 50

Sheet metal support right for type NHv



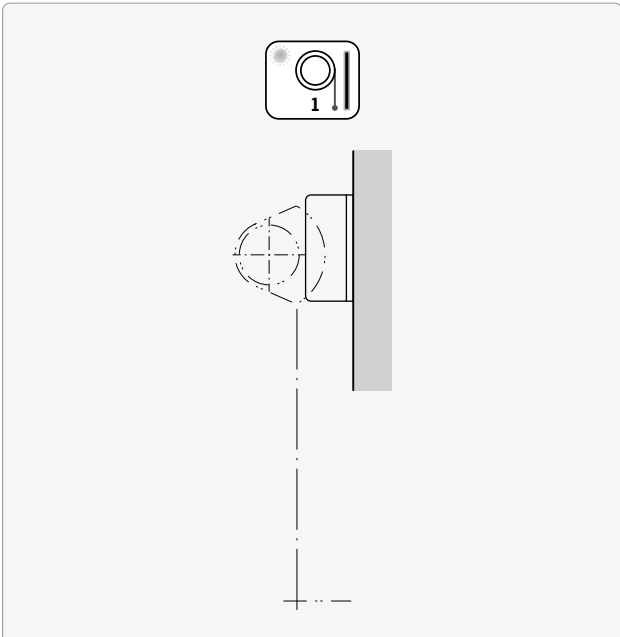
Sheet metal support right for type NHv



►► Bearing fastenings

At back | Designer bearing

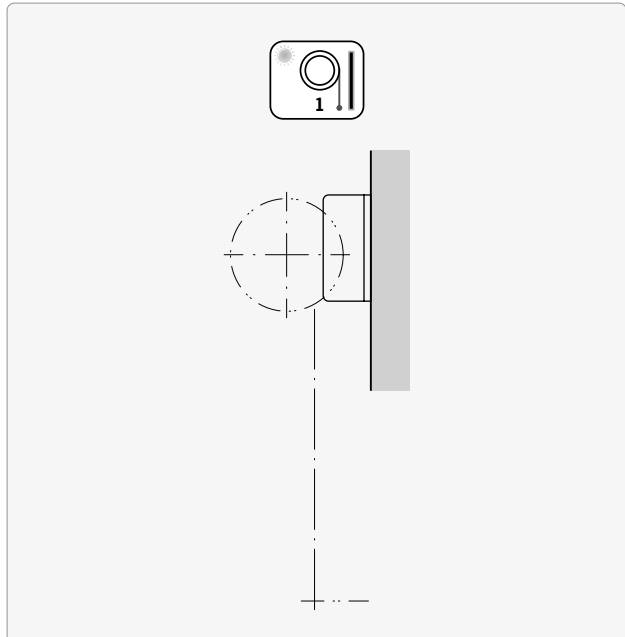
NH



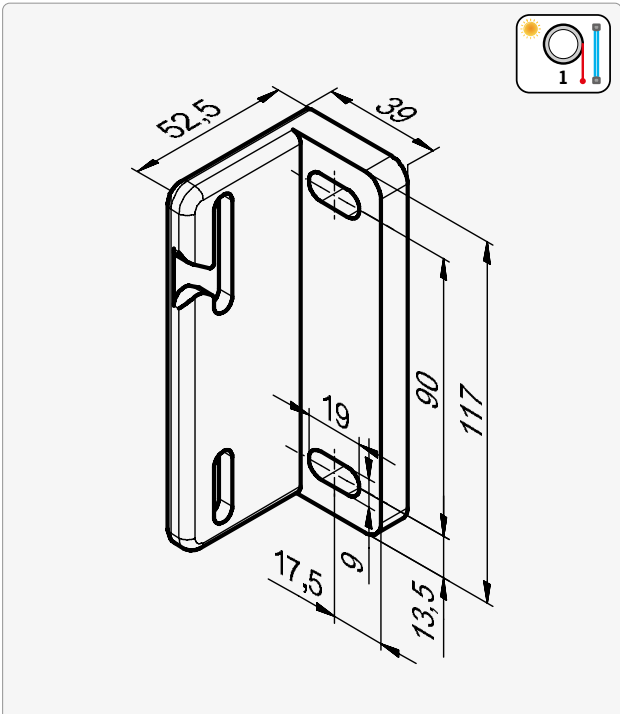
At back | Designer bearing

Box

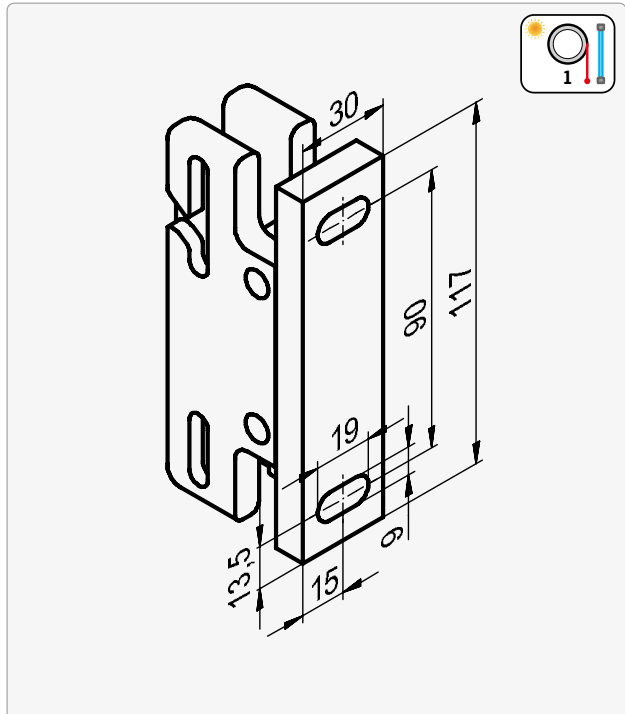
NH



Installation clip bearing right for type NH



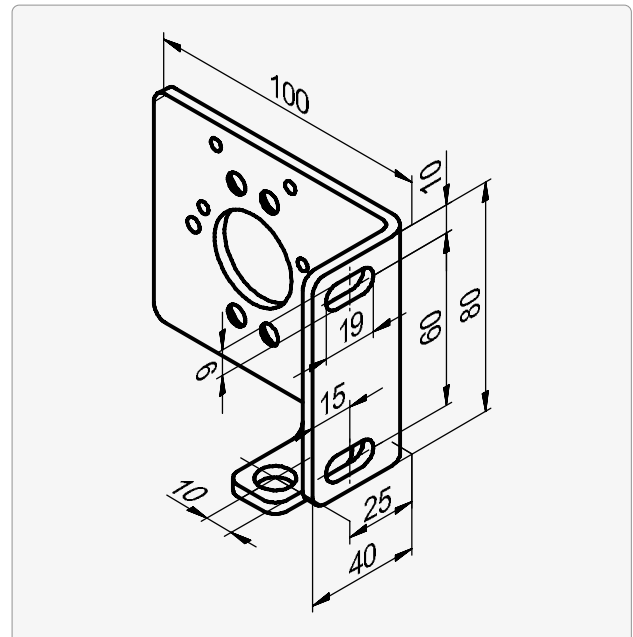
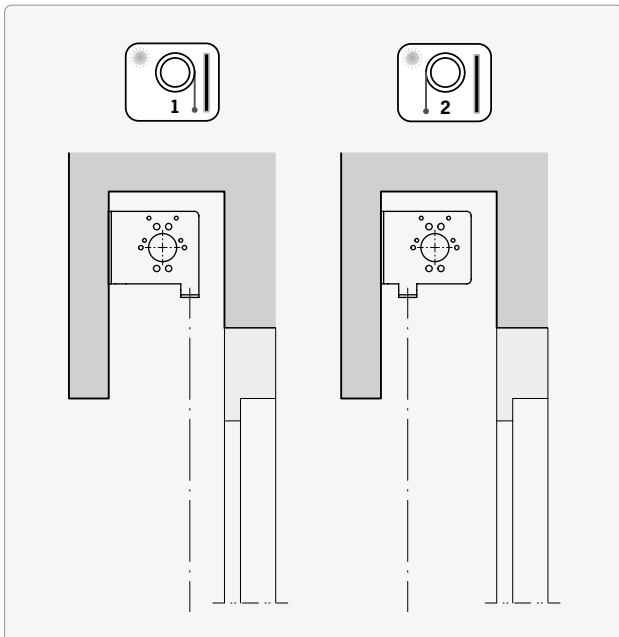
Double clip for type NH



►► Bearing fastenings

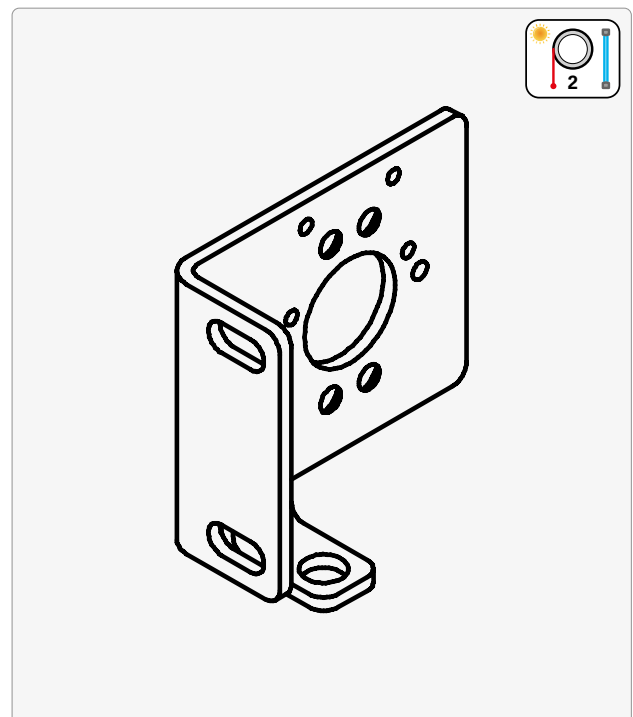
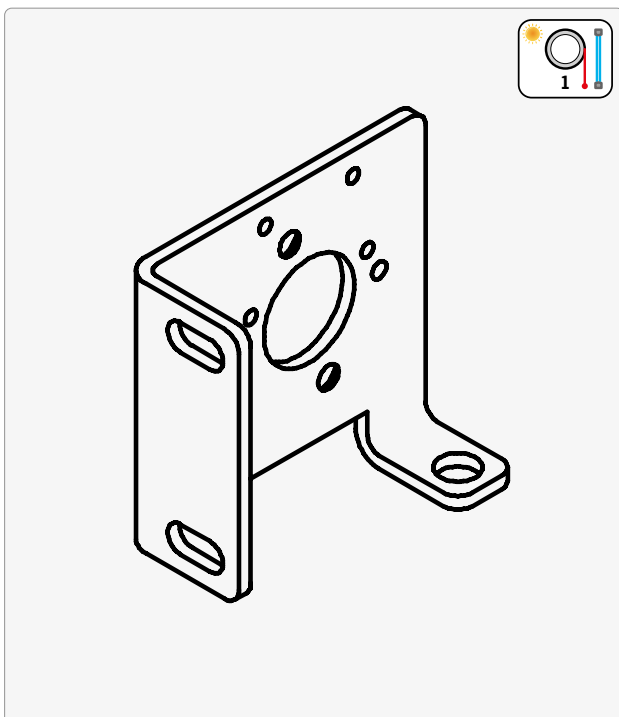
At front | Fix

NVf



Sheet metal support right for type NVf

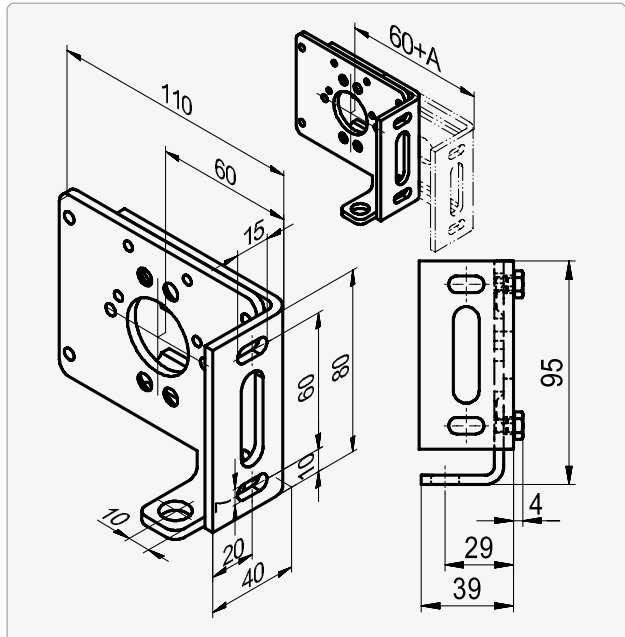
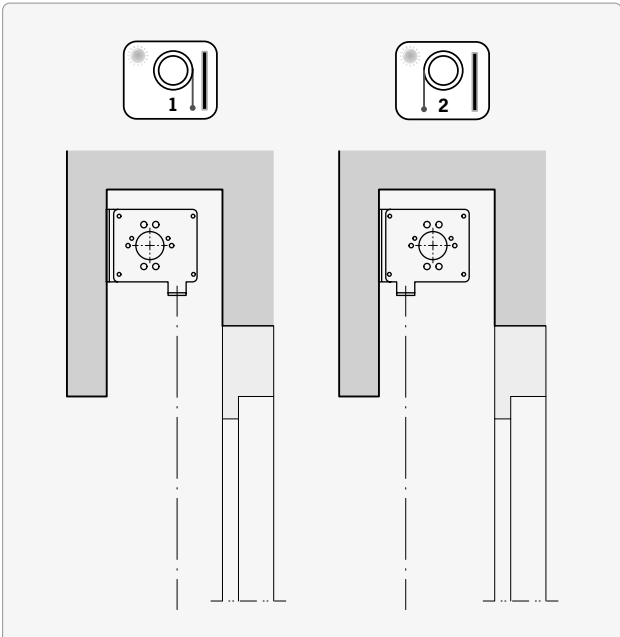
Sheet metal support right for type NVf



►► Bearing fastenings

At front | Adjustable

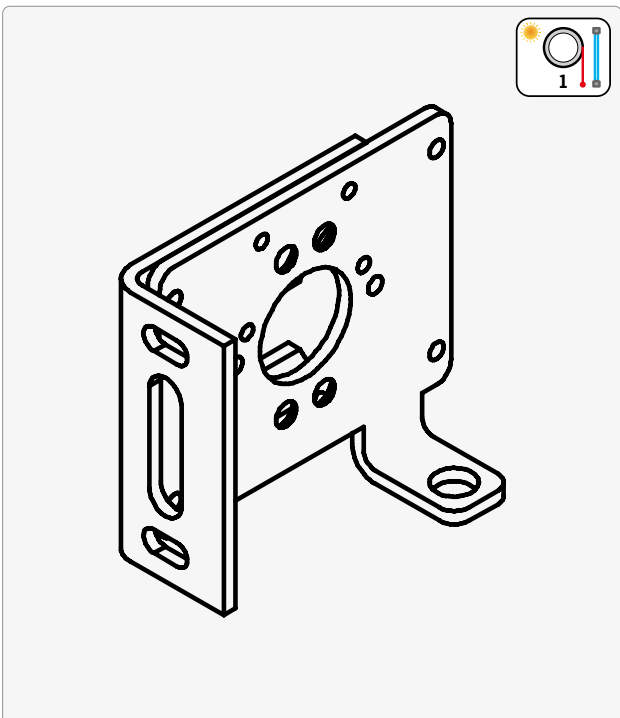
NVv



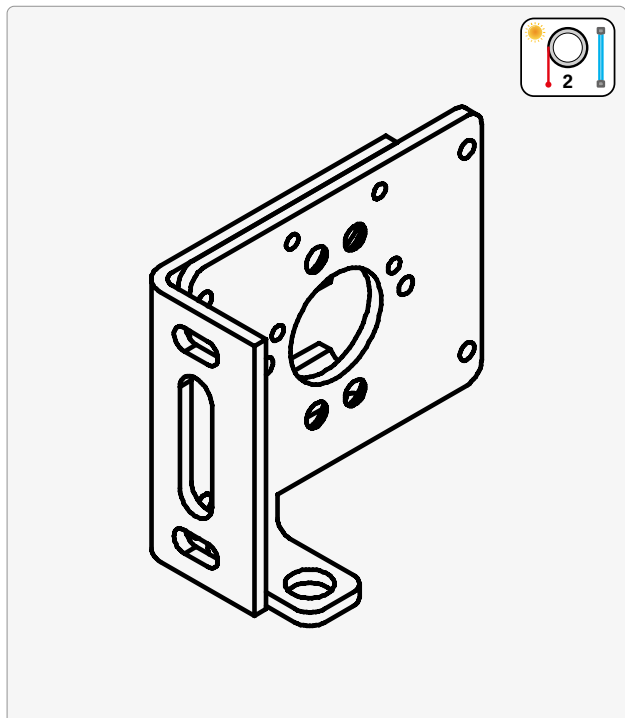
A

0...50

Sheet metal support right for type NVv



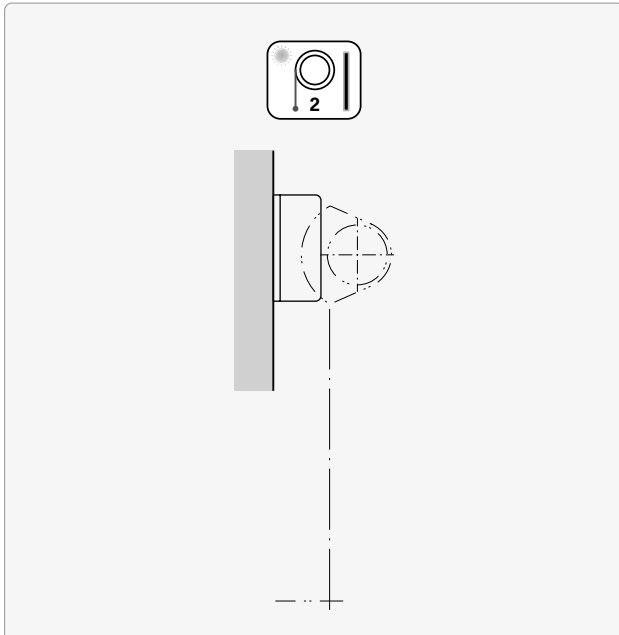
Sheet metal support right for type NVv



►► Bearing fastenings

At front | Designer bearing

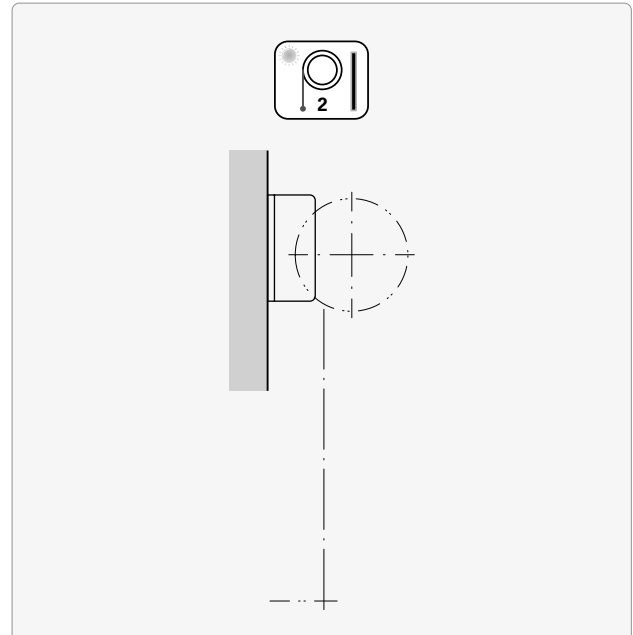
NV



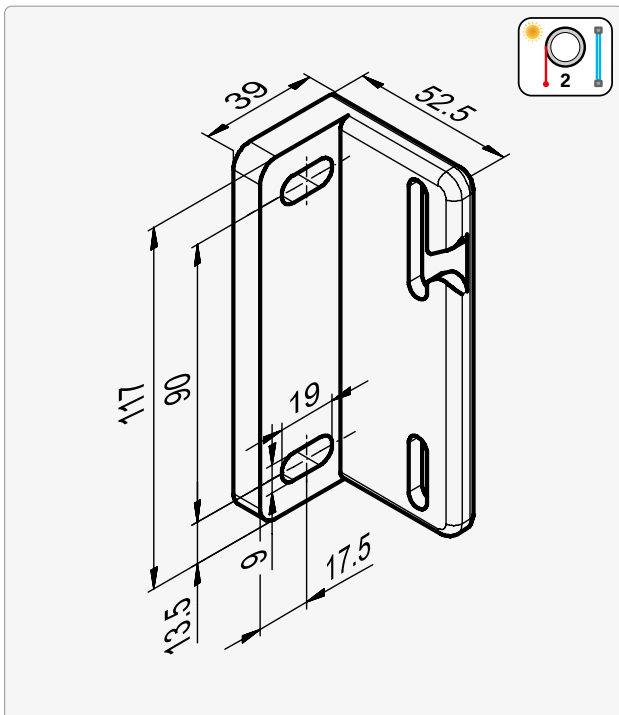
At front | Designer bearing

Box

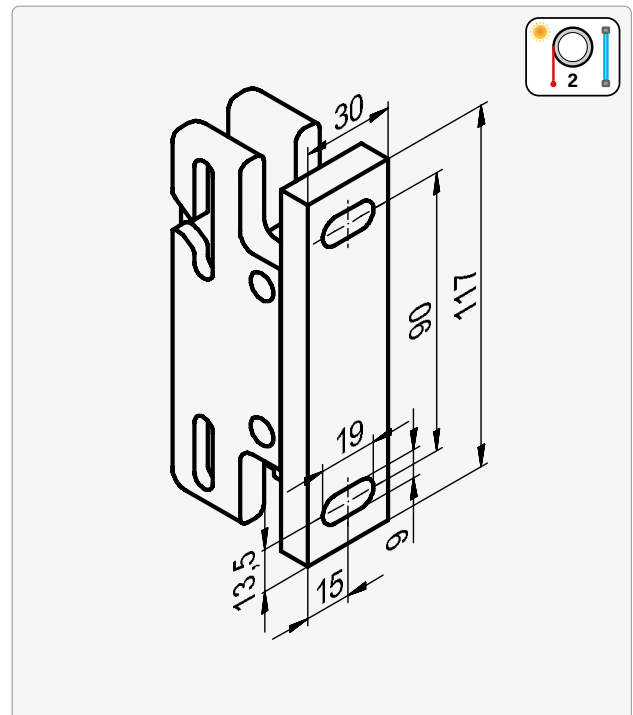
NV



Installation clip bearing right for type NV



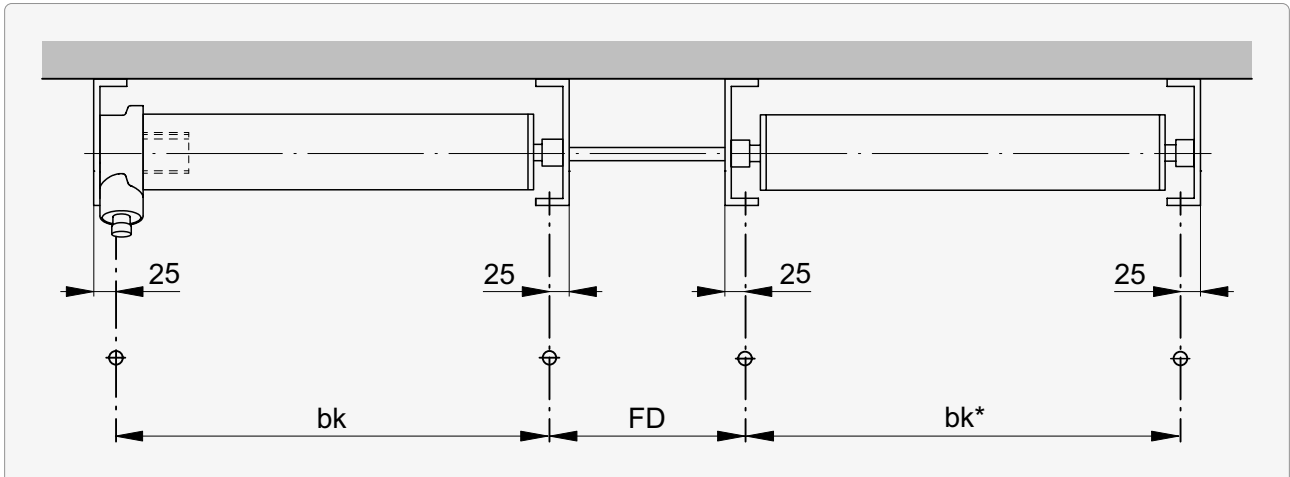
Double clip for type NV



Connected systems

With crank drive

Conventional

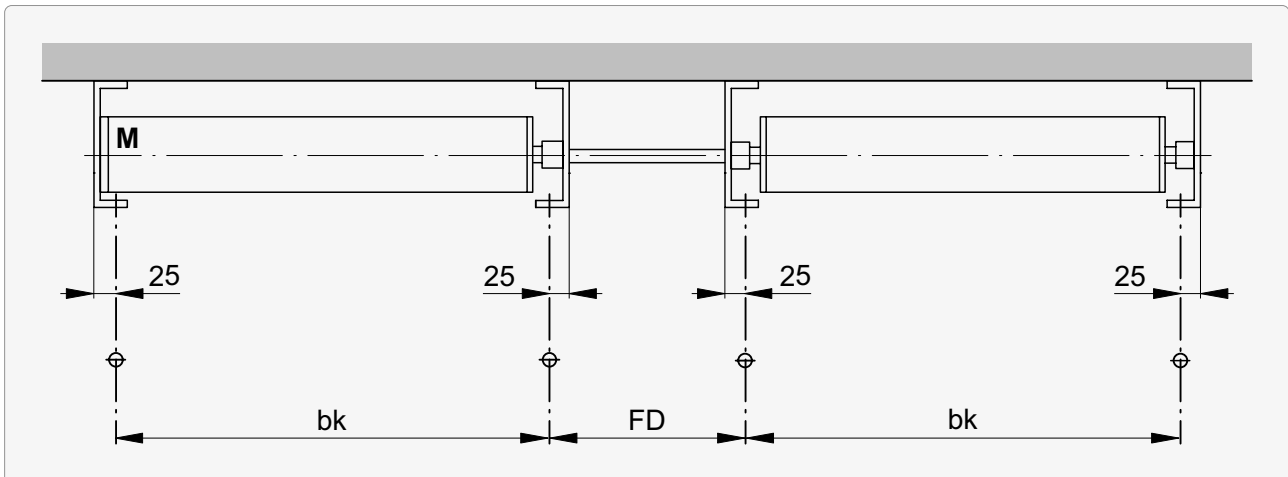


bk* min.	FD
400	50... 150

▶▶ Connected systems

With motor drive

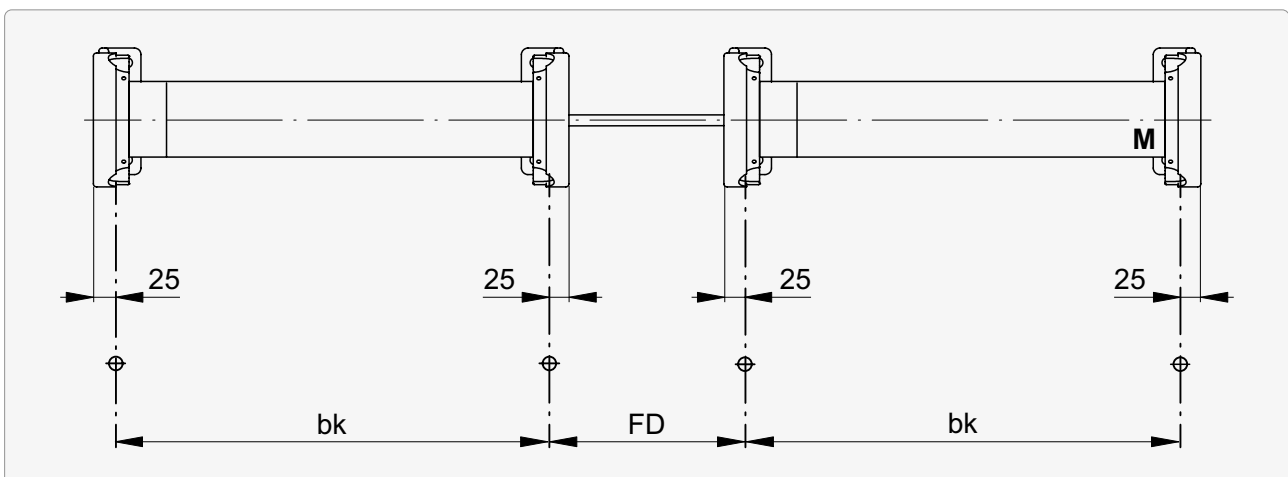
Conventional



FD

 50 ... 150

Box



FD

 50 ... 150



Limit dimensions Galleria®	206
Limit dimensions Galleria® Box	206
Fabric deduction	207
Fabric hems	207
Built-in system	208
Installation system	209
Sliding arms	210
Bottom rail	211
Guide rails	211
Sections Details	212
Sections for crank drive (MBMA)	215
Guide rail fastenings (principle)	216
Guide extension and facet	222
Fastening points Galleria®	224
Connected systems	228



* **Phase-out**, can still be ordered until 30.4.2033 as a complete product for replacement cases, replacement assemblies are available until 30.4.2033. Spare parts remain available until at least 30.4.2036.

Limit dimensions Galleria®**Single awning**

Operation	Width min. (bk)	Width max. (bk)	Height min. (hl)	Height max. (hl)	Surface* max. [m ²]
Crank drive	400	3500	1200	3315	8
Motor drive	800				

Connected systems

Operation	Width max. (bk)	Blinds max.	Surface* max. [m ²]
Crank drive	6000	3	12
Motor drive	8000		18

Limit dimensions Galleria® Box**Single awning**

Operation	Width min. (bk)	Width max. (bk)	Height min. (h1)	Height max. (h1)	Surface* max. [m ²]
Crank drive	400	3500	1400	3500	8
Motor drive	800				

Connected systems

Operation	Width max. (bk)	Blinds max.	Surface* max. [m ²]
Crank drive	6000	3	12
Motor drive	8000		18

* Ratio: **width/height** ≥ 1/3



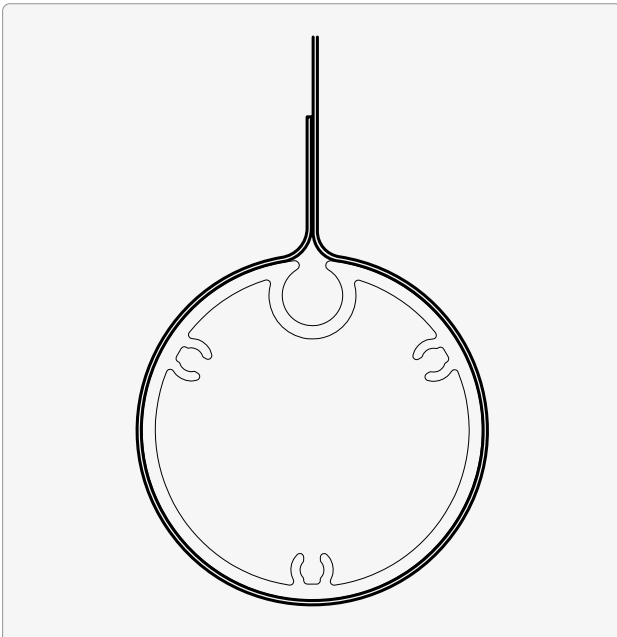
Box overhang: 0... 20 mm per side, from rear edge of guide rail.

Fabric deduction

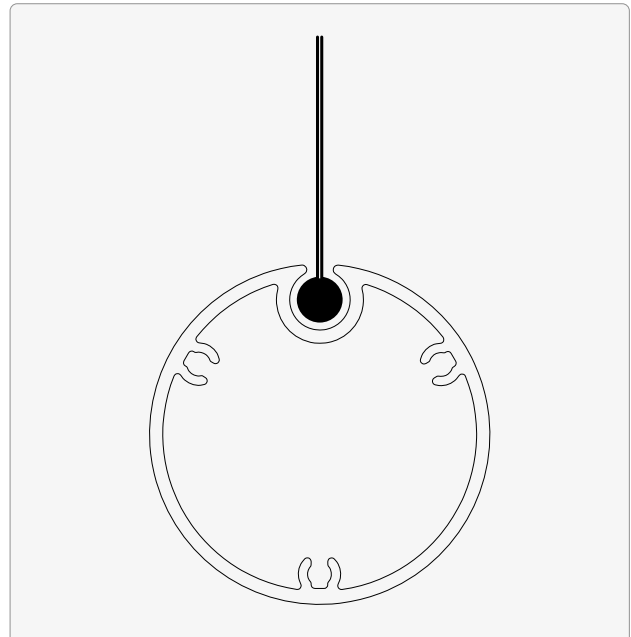
Operation	Galleria®		Galleria® Box	
	Drive side	Counter side	Drive side	Counter side
Crank drive	bk - 50	bk - 50	bk - 40	bk - 40
Motor drive				

Fabric hems

Type H80 | Hemstitch

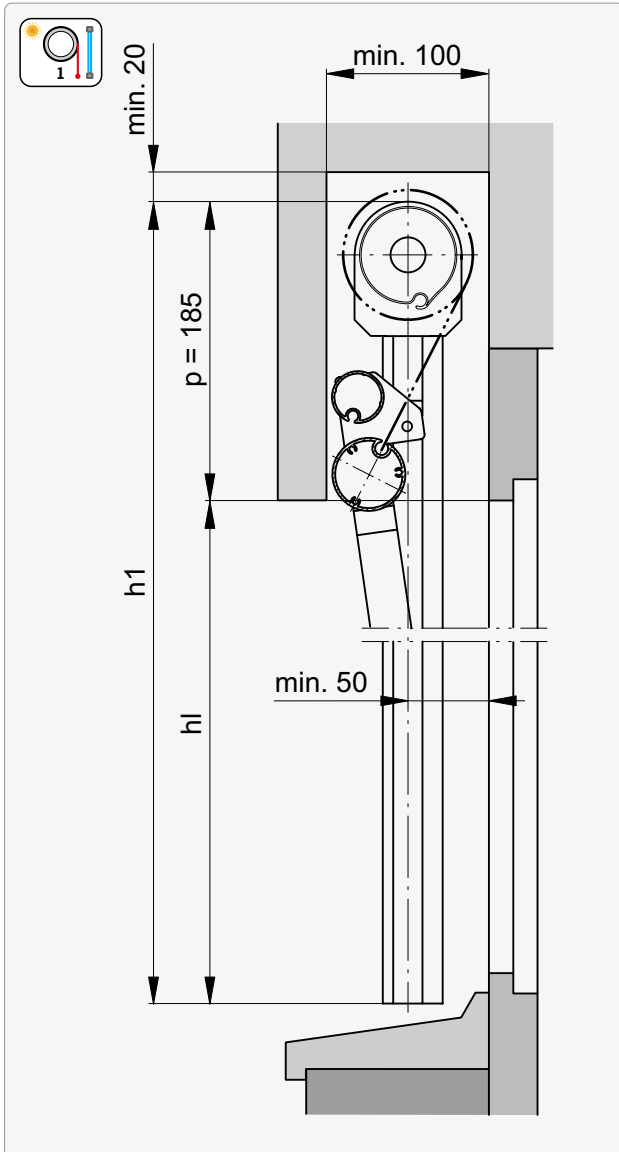


Type H25 | Hemstitch



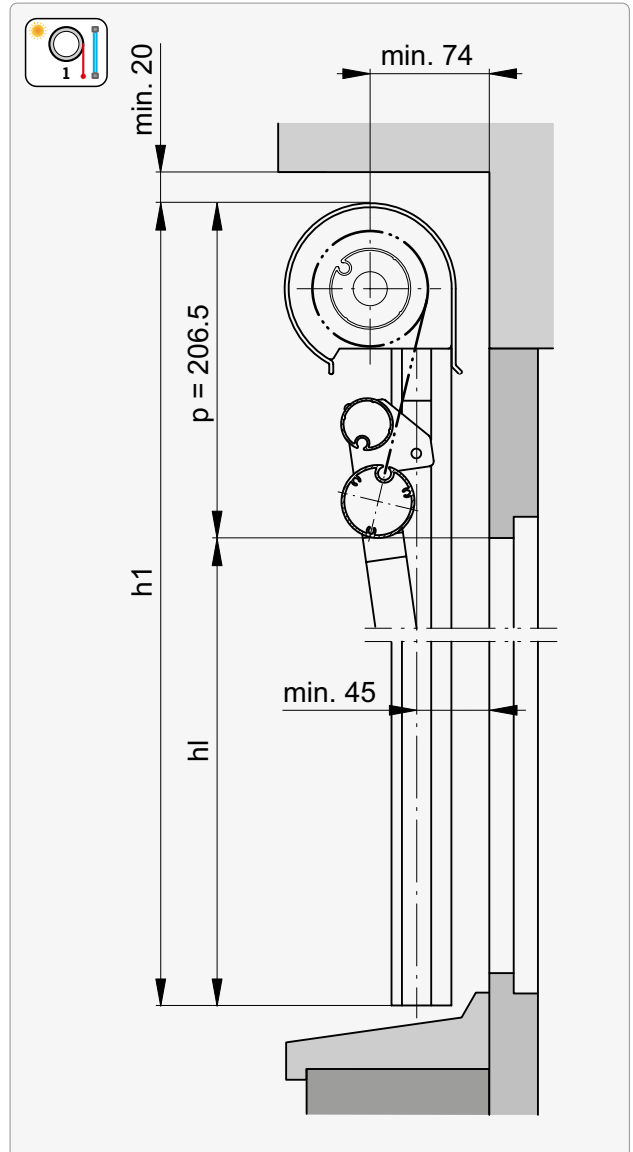
Built-in system

Vertical section



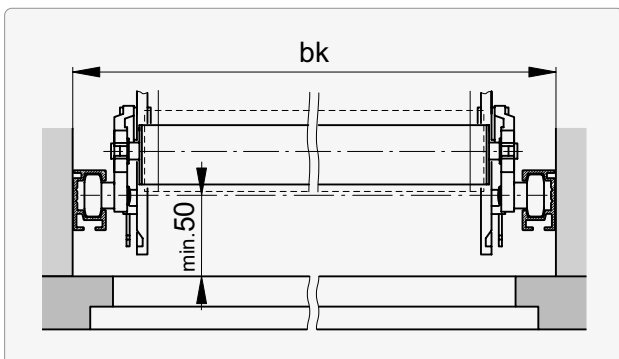
Symmetrical installation

Vertical section

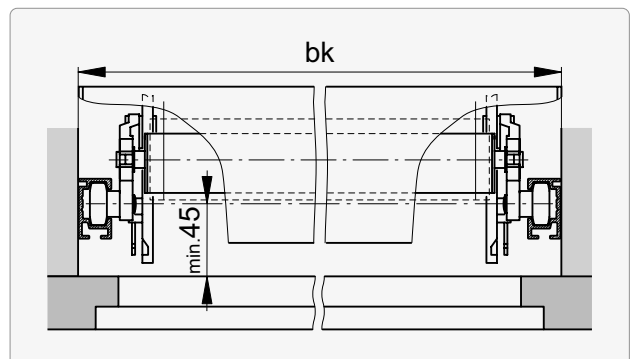


Asymmetrical installation

Horizontal section

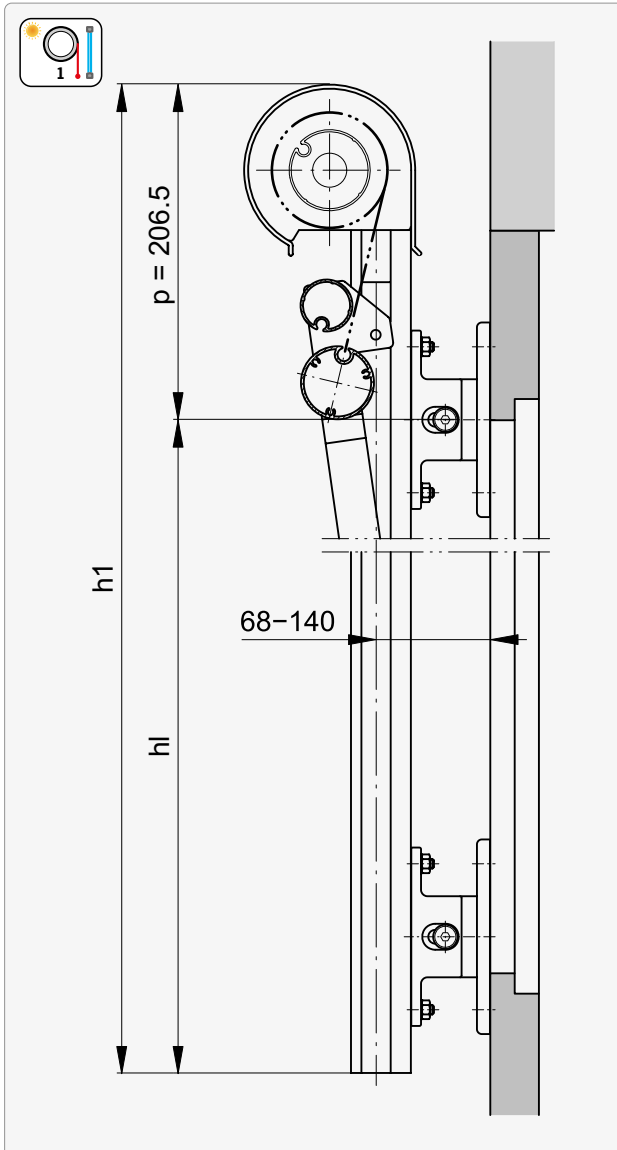


Horizontal section

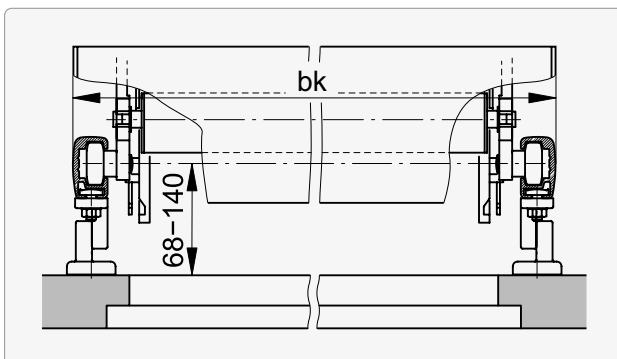


Installation system

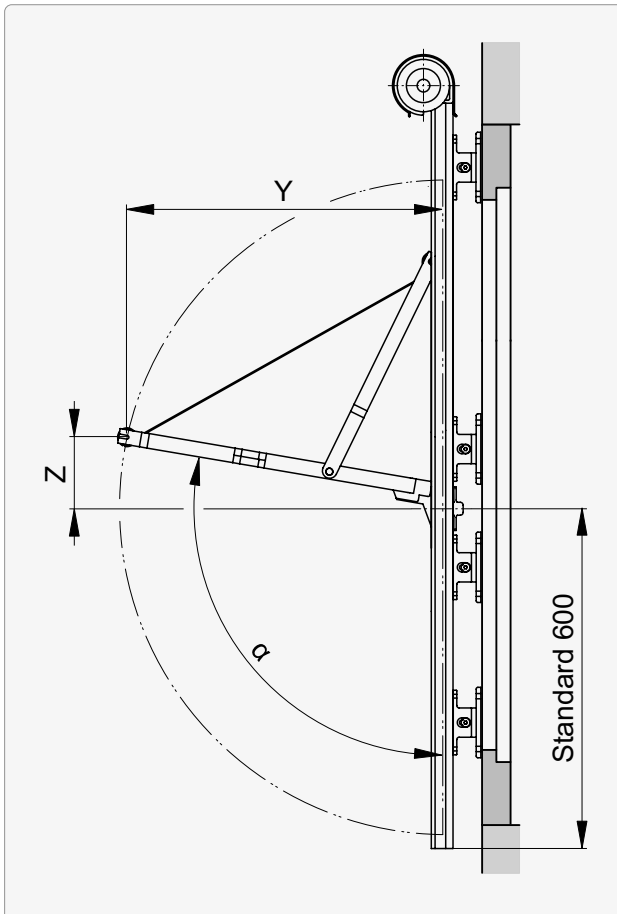
Vertical section



Horizontal section



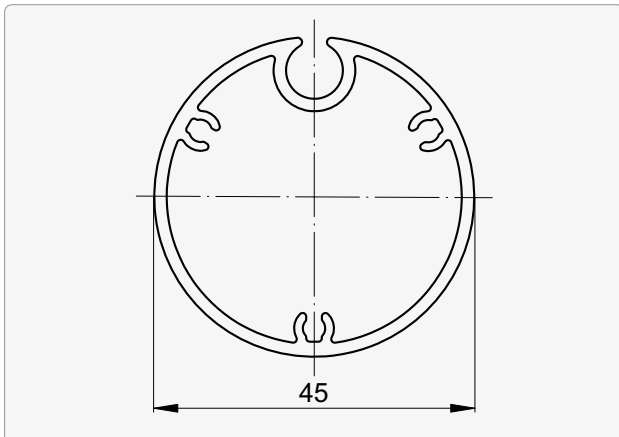
Sliding arms



AL	α	Y	Z
550	100°	542	96
	110°	517	188
	120°	476	275
	130°	389	389
	150°	275	476
	180°	0	550

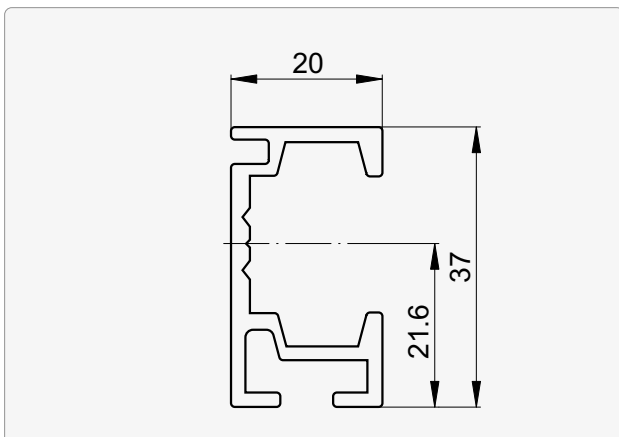
AL Length of arm

Bottom rail

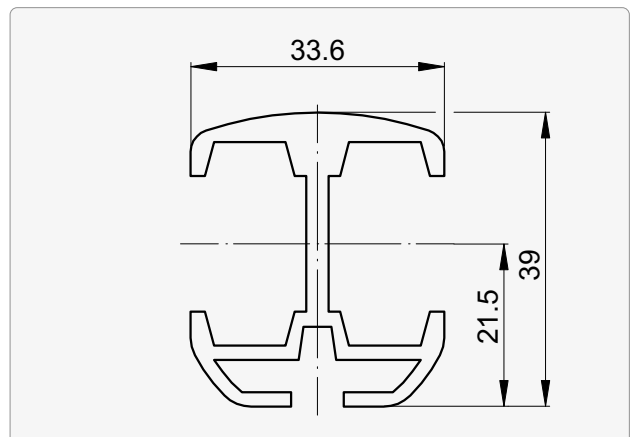


Guide rails

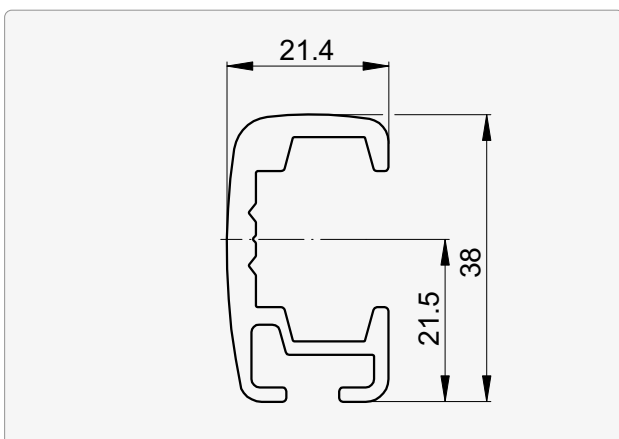
Type E | Square



Type D | Double guide



Type R | Circular

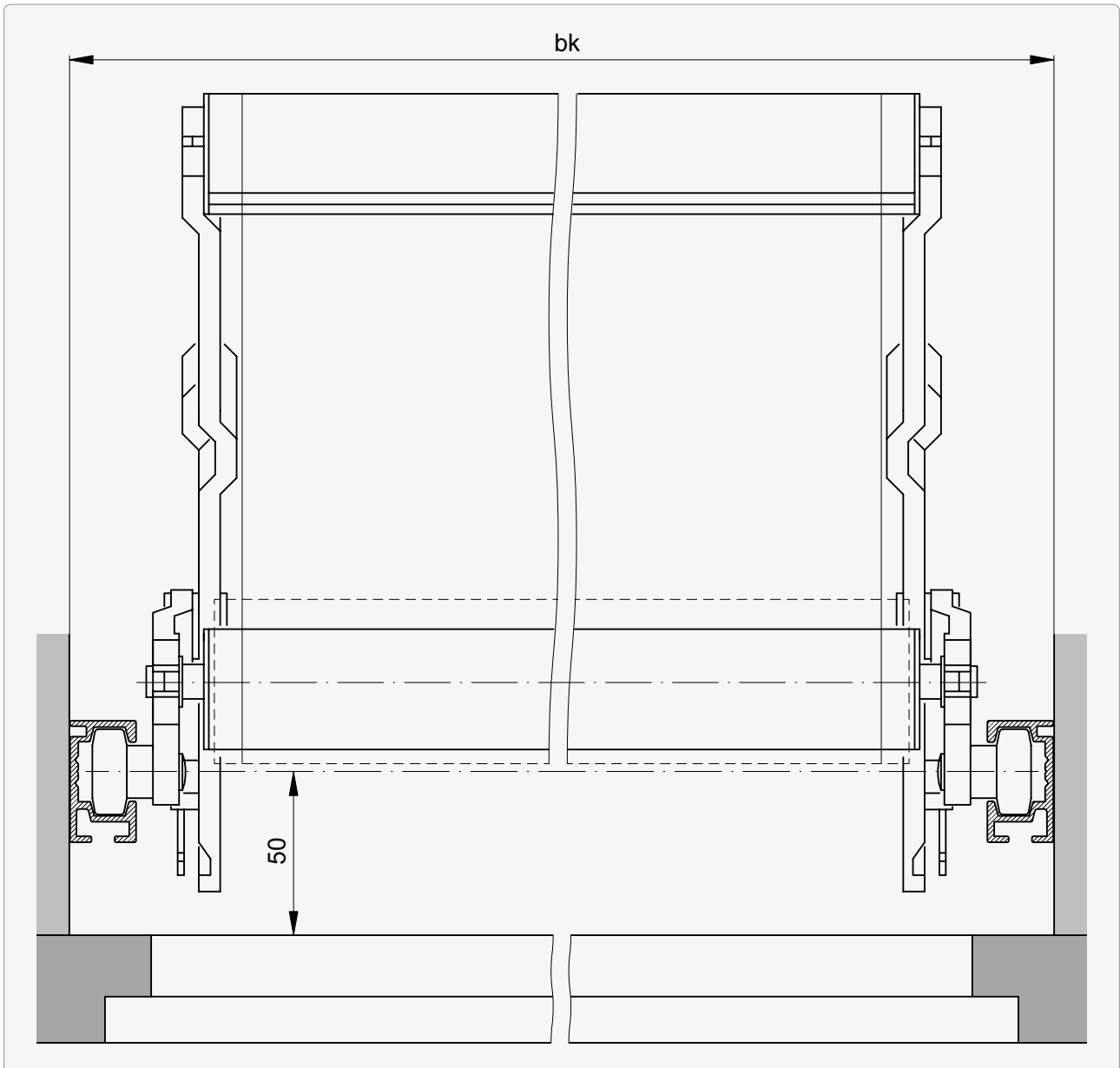


➤ Fastening points.....	224
➤ Guide extension and facet	222

➤ Guide rail fastenings.....	216
------------------------------	-----

Sections | Details

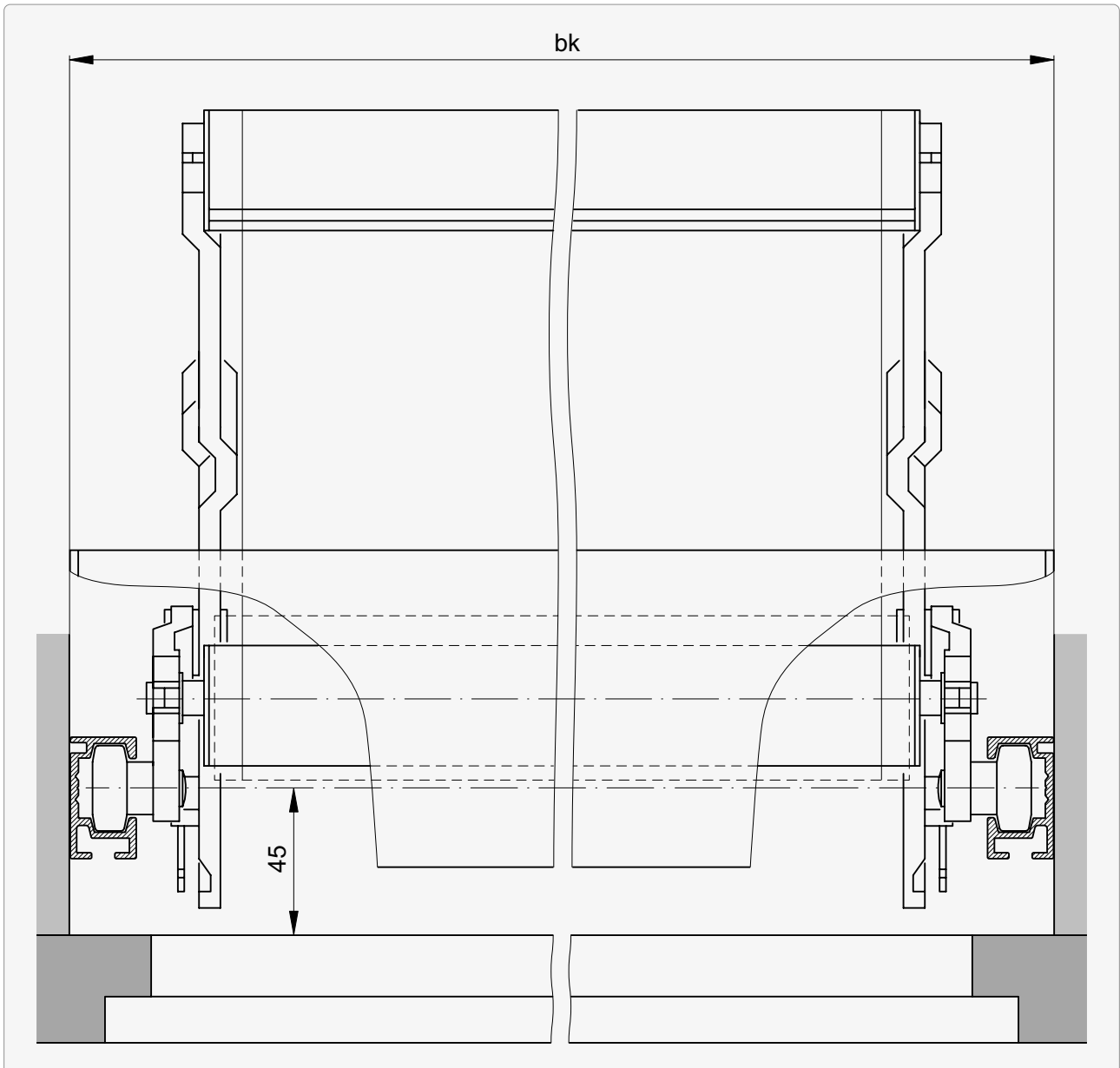
Horizontal section: Built-in system



Symmetrical installation

►► Sections | Details

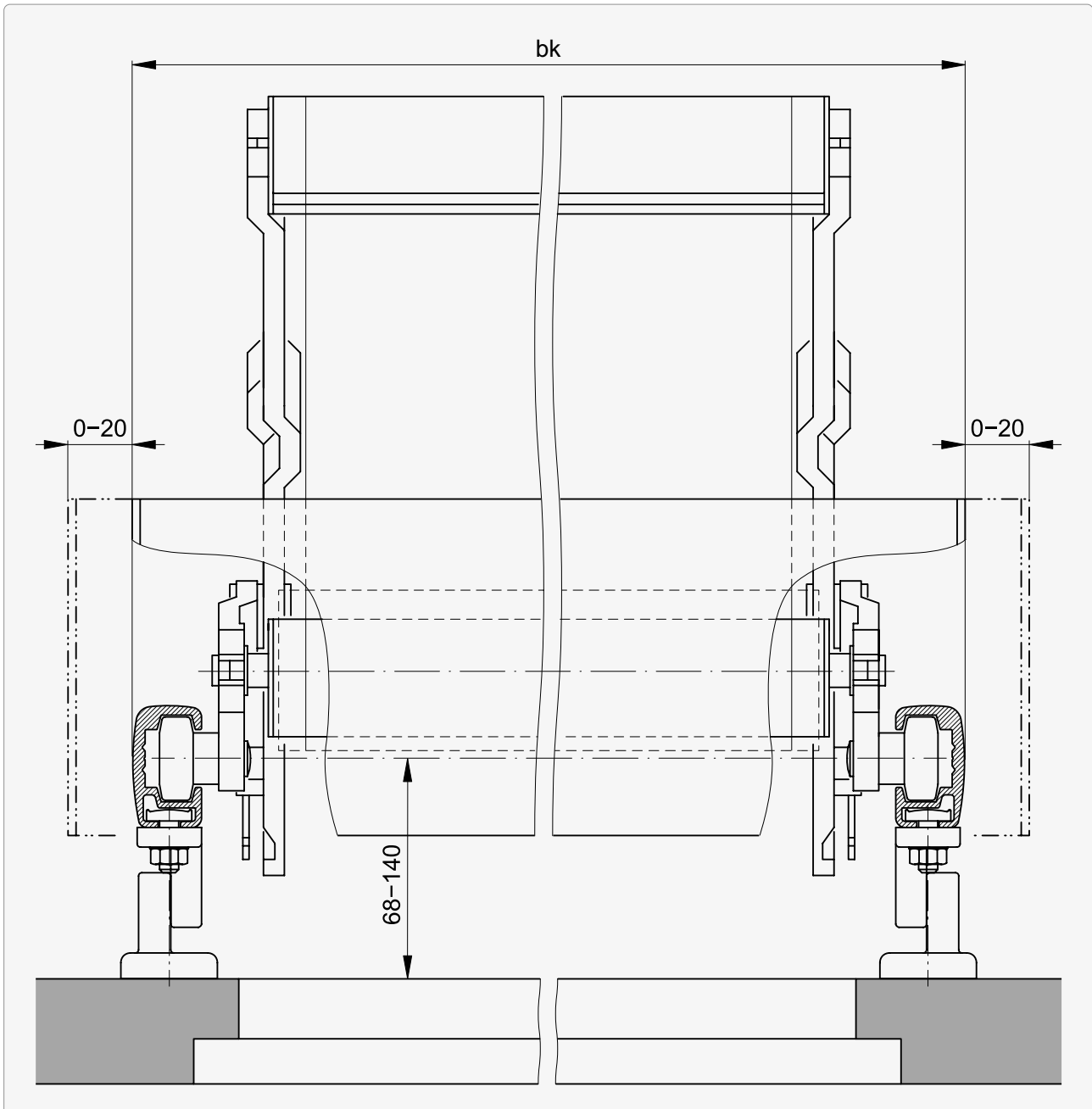
Horizontal section: Built-in system



Asymmetrical installation

▶▶ Sections | Details

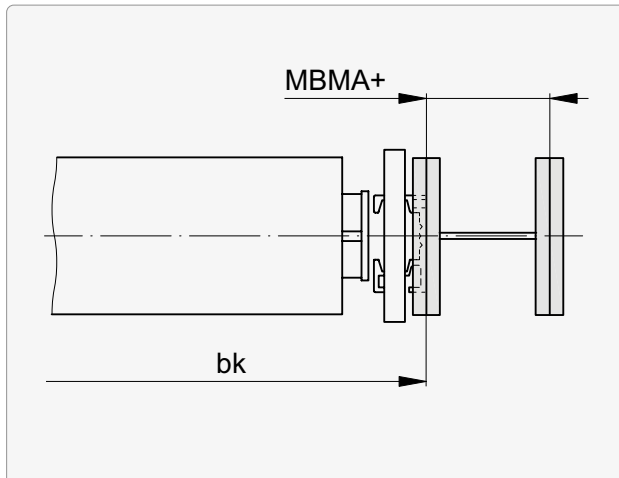
Horizontal section: Installation system



Box overhang: 0... 20mm per side, from rear edge of guide rail.

Sections for crank drive (MBMA)

outside bk

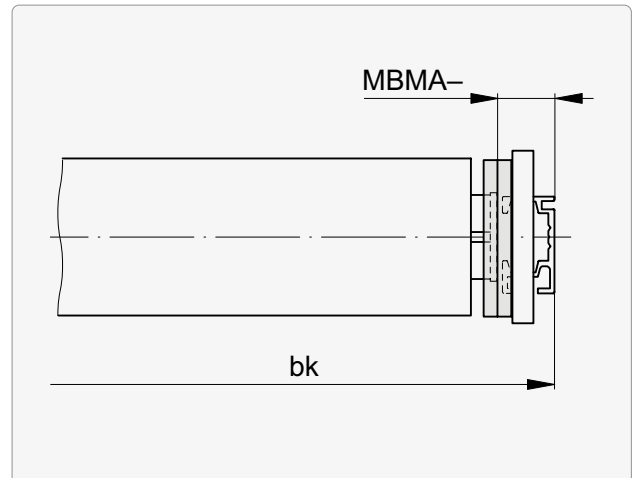


MBMA+¹

0 ... 120

¹ Provide required space

within bk



MBMA-

26

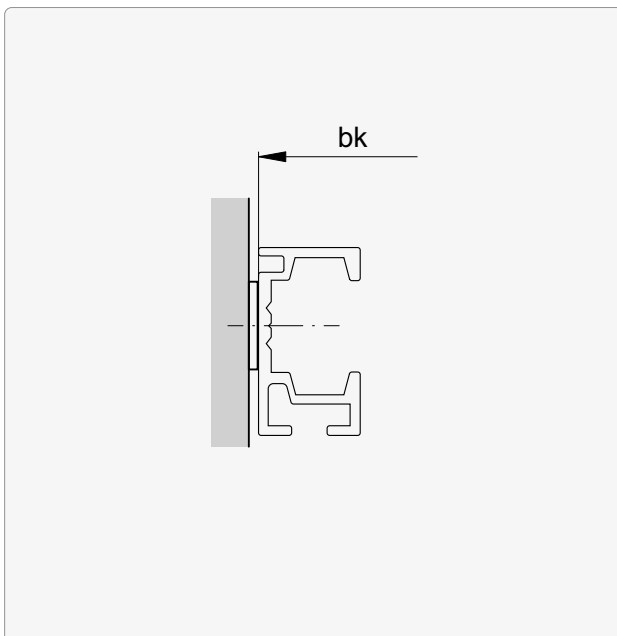
Guide rail fastenings (principle)

Overview

Type											
A	B	Bd	C	Cd	E	F	G	H	I	T	V
○ ¹	○ ¹	○ ¹	○ ¹	○ ¹	○ ¹	○ ¹	–	●	–	○ ¹	○ ¹

- applicable without restrictions
- applicable with restrictions
 - ¹ only with guide **type E | Square**

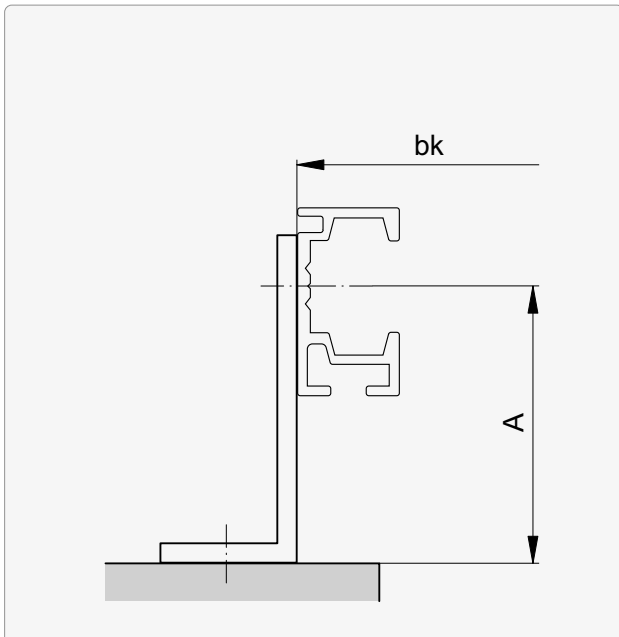
A Soffit installation



- i** Observe possible guide rail spacer for **bk**.
Standard: 2 mm

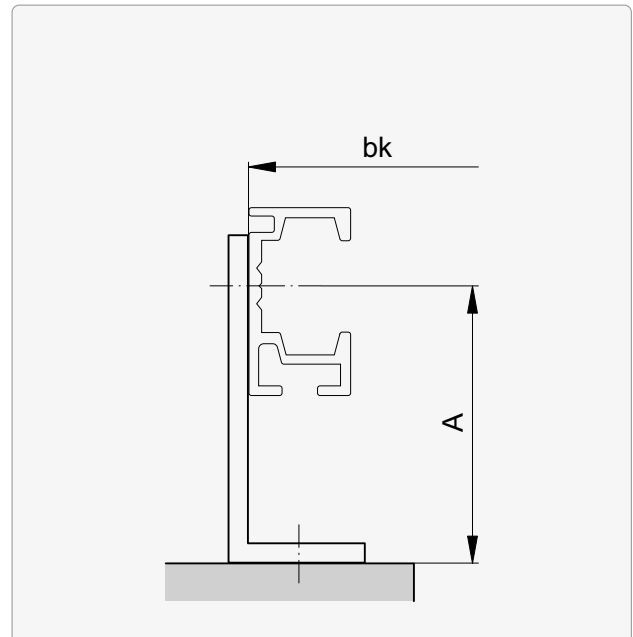
►► Guide rail fastenings (principle)

B Installation with fastening bracket



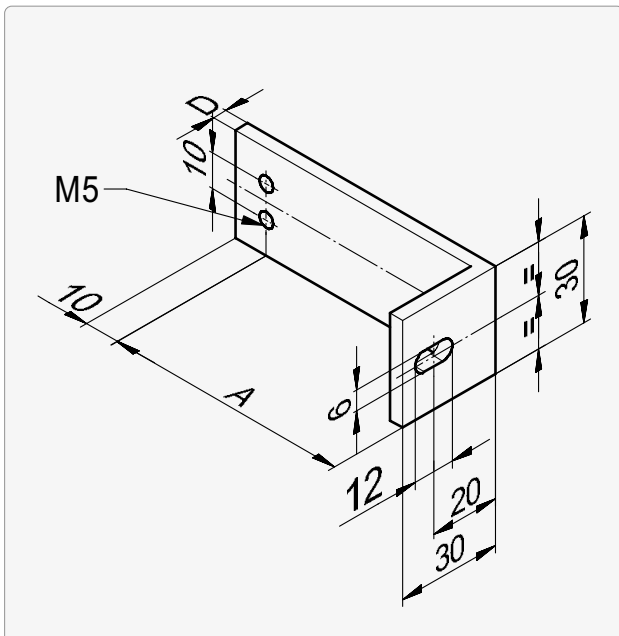
Bracket outwards

C Installation with fastening bracket



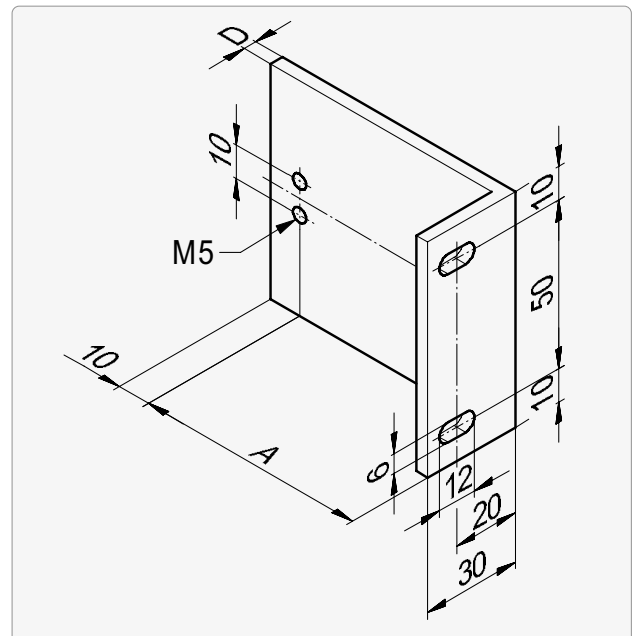
Bracket inwards

Fastening bracket for type B and C



A*	D
20... 115	4

Fastening bracket 70 mm for type B and C



A*	D
20... 115	4
120... 215	5

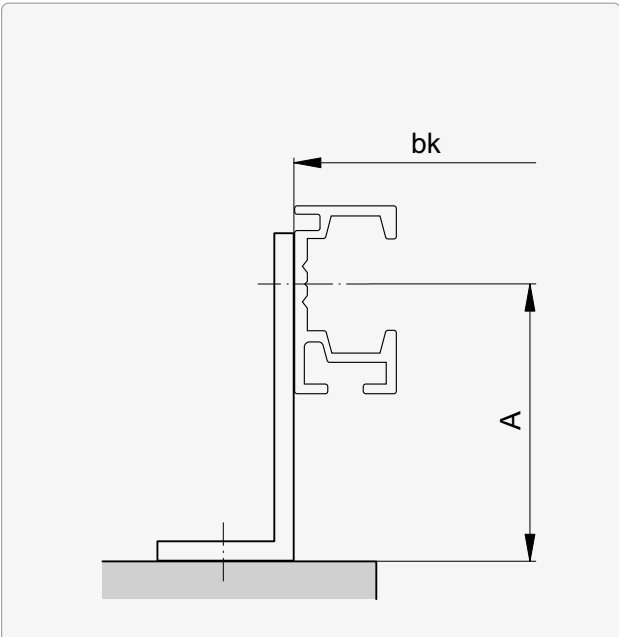
i For suspended guide rails always with **brackets 70 mm**.

i If the **projection is ≥ 120** , all products are fastened with a **70 mm bracket**.

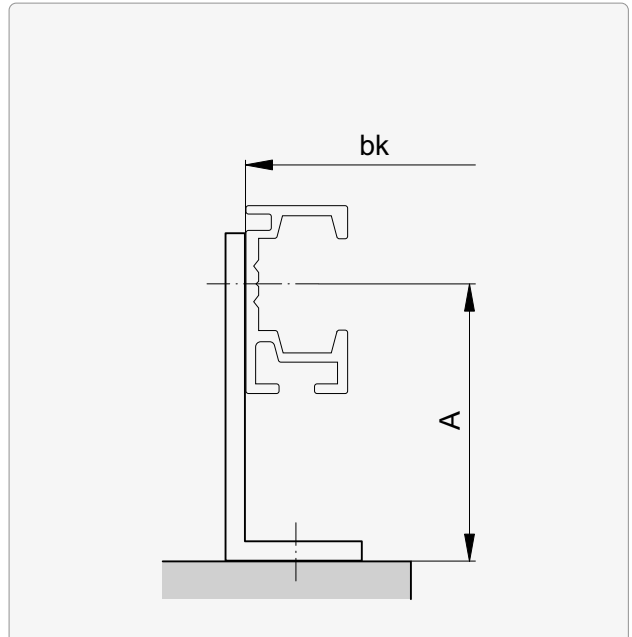
* in 5 mm steps

►► **Guide rail fastenings (principle)**

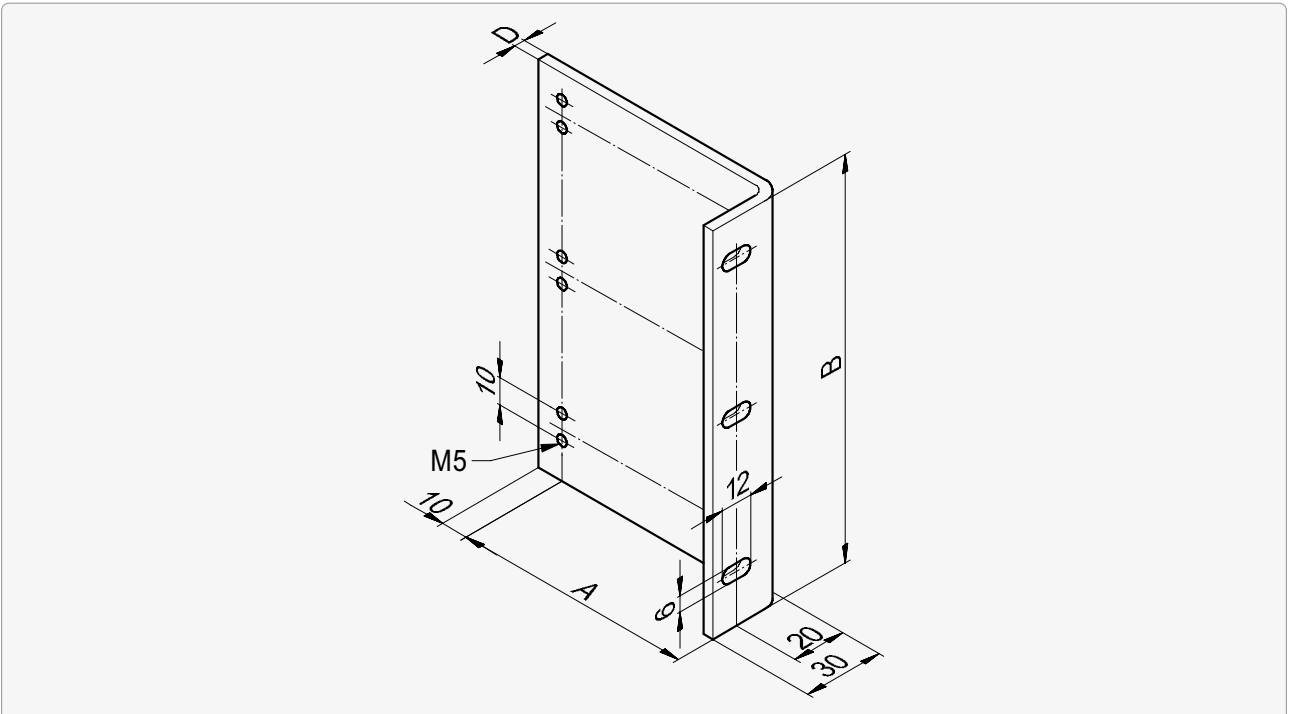
Bd Installation with continuous fastening bracket



Cd Installation with continuous fastening bracket



Constant fastening bracket for type Bd and Cd

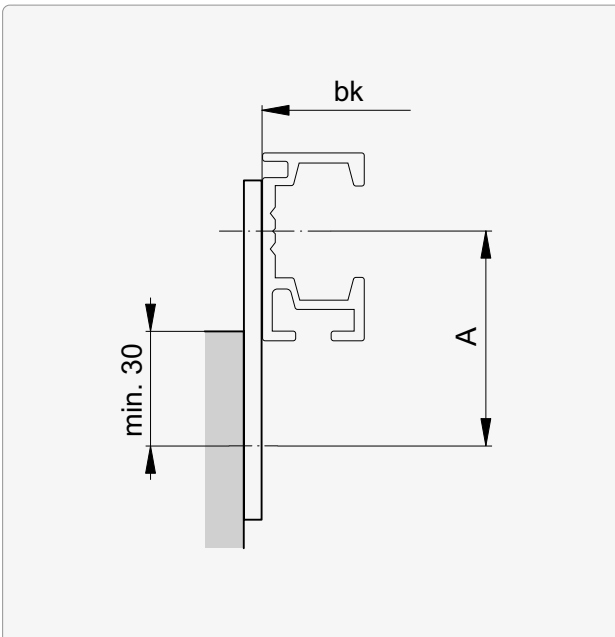


A*	D
20... 300	always 4

* in 5 mm steps

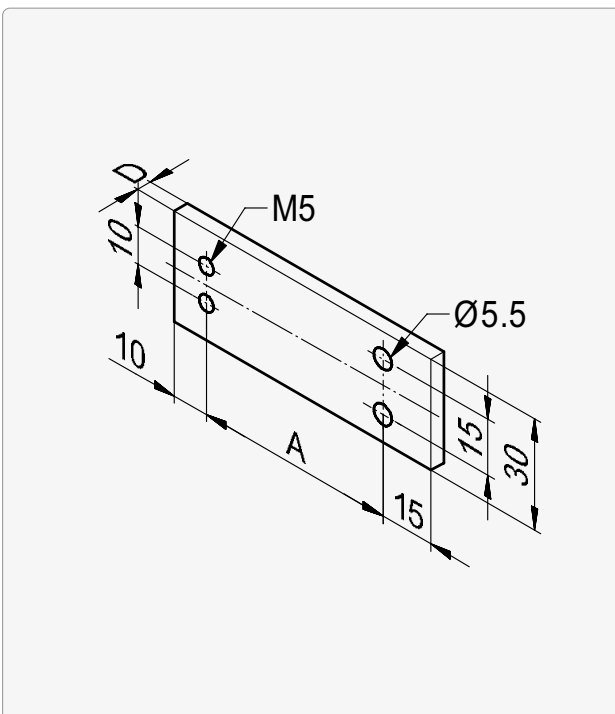
►► Guide rail fastenings (principle)

E | F Installation with fastening lug



inwards / outwards

Fastening lug for type E | F

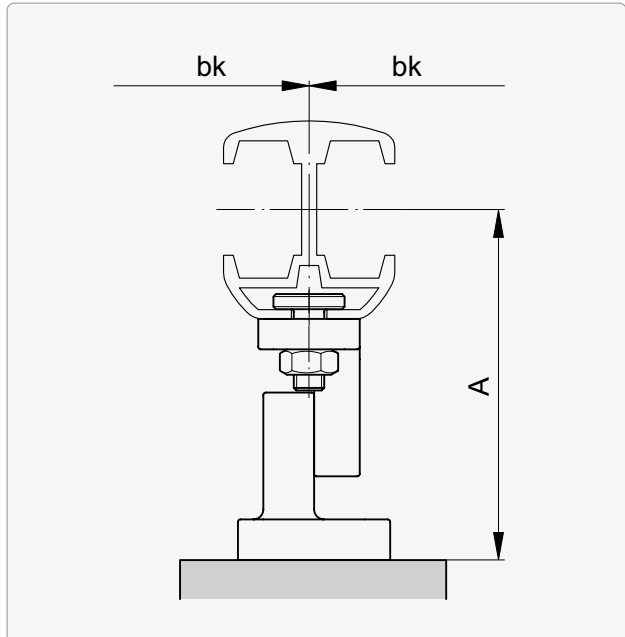
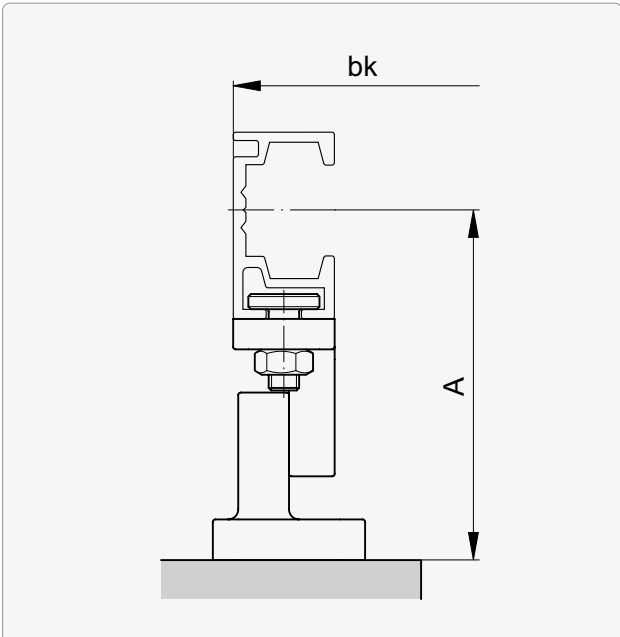


A*	D
50... 115	4
120... 125	5

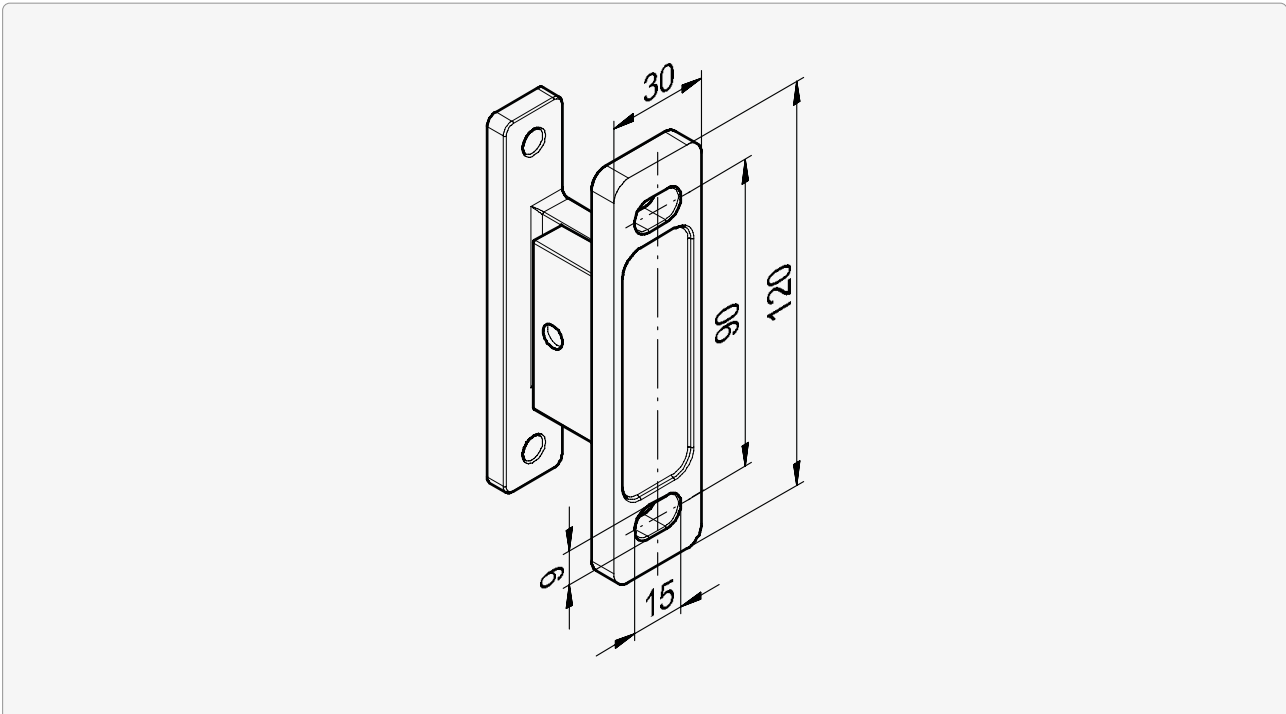
* in 5 mm steps

►► **Guide rail fastenings (principle)**

H Installation with spacer



Spacer for type H



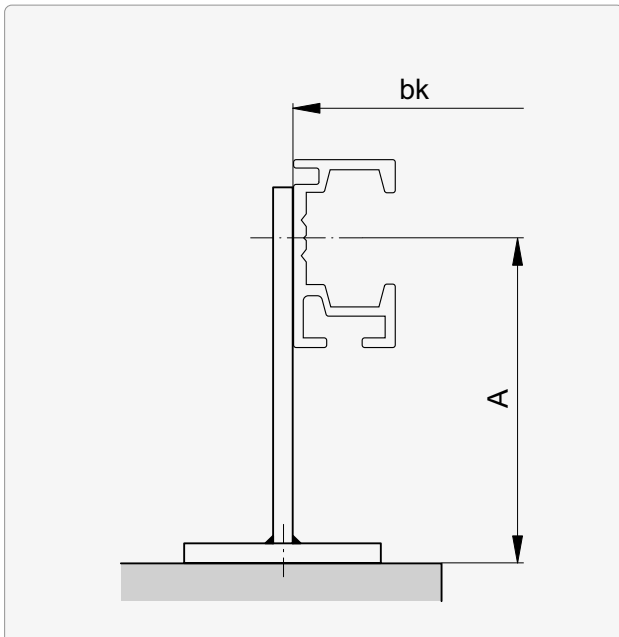
A

 68 ... 140

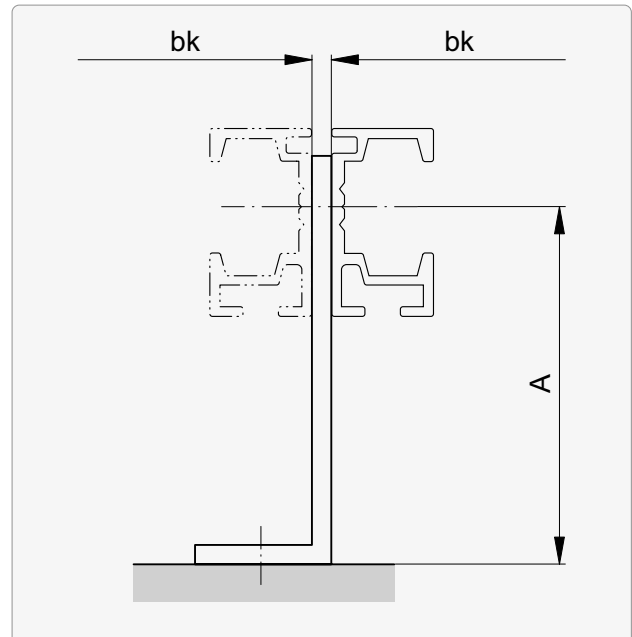
 Standard: 70

►► Guide rail fastenings (principle)

T Installation with T-bracket

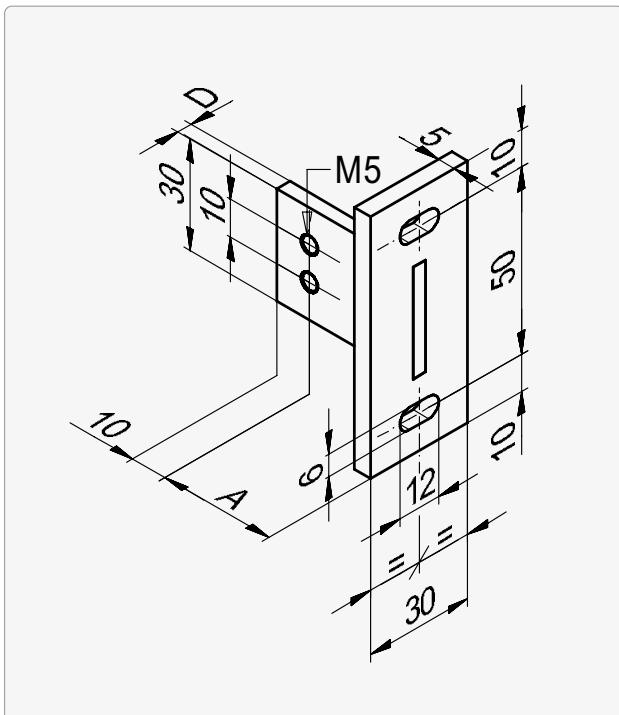


V Installation with one bracket



The blind on the right uses the fastening for the blind on the left.

T-bracket for type T

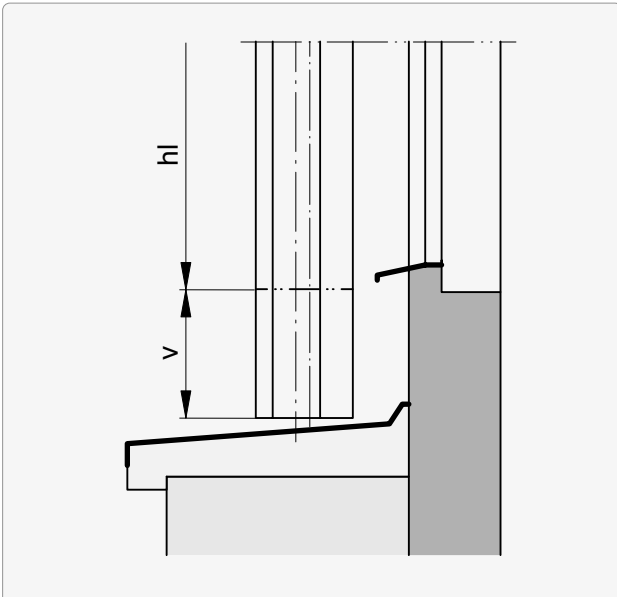


A*	D
20... 115	4
120... 215	5

* in 5 mm steps

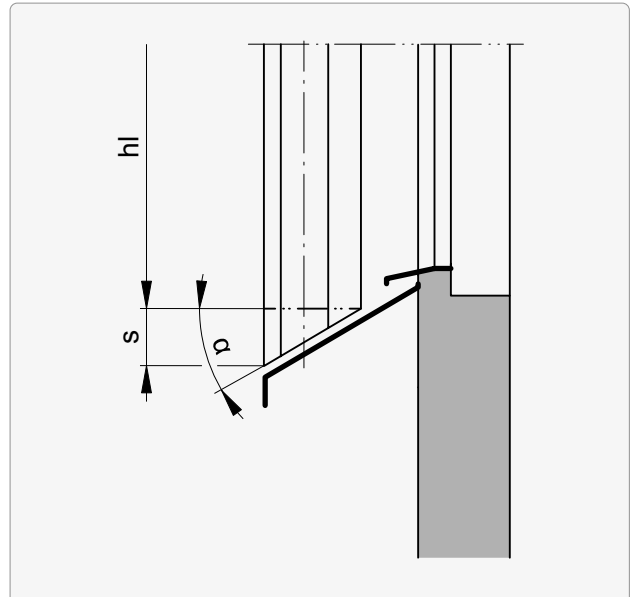
Guide extension and facet

Extension



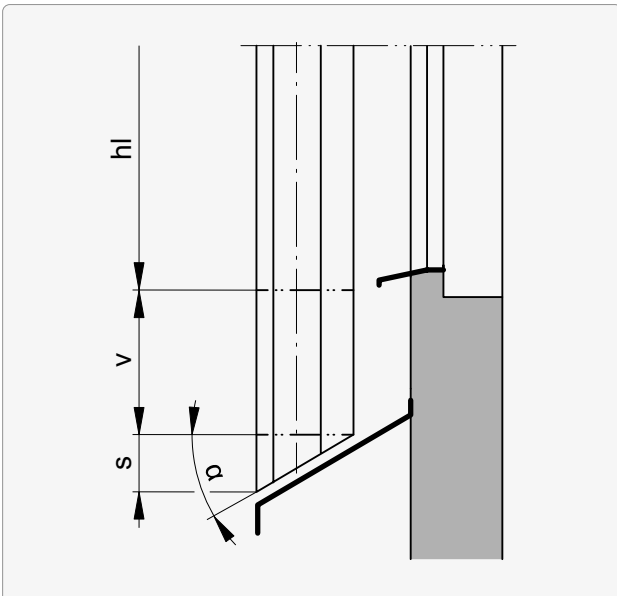
v
0 ... 1000

Facet



α
2 ... 66°

Extension and facet

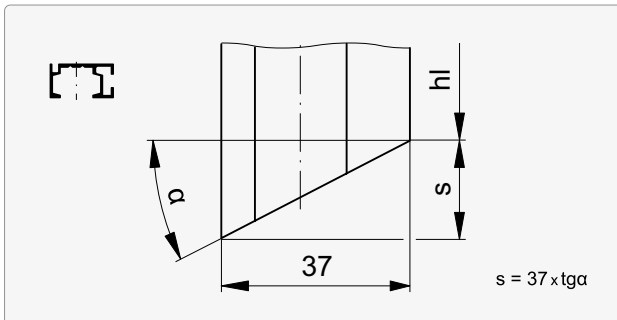


v
0 ... 1000

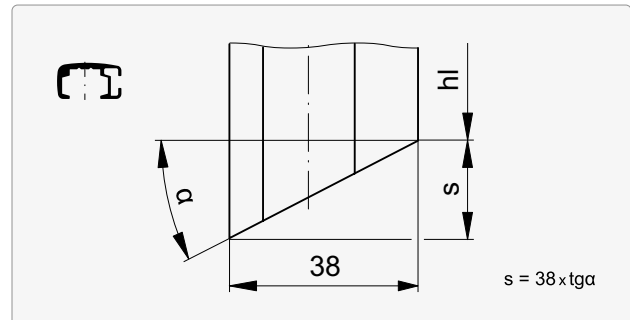
α
2 ... 66°

Angling at the guides

Square



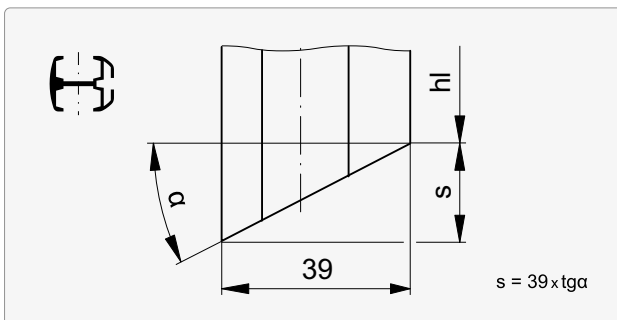
Circular



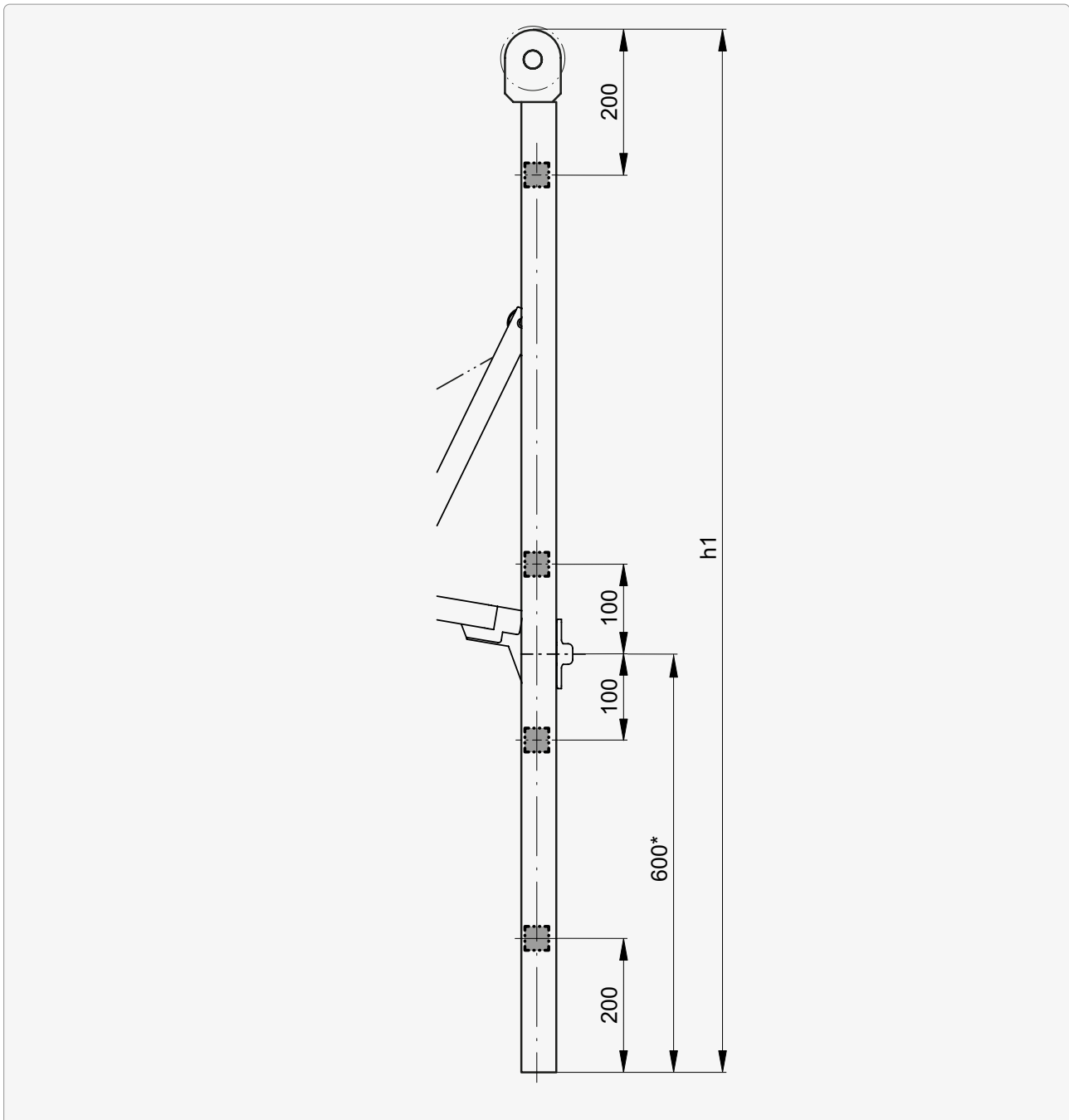
α	s	α	s	α	s	α	s	α	s	α	s	α	s
2	1	12	8	22	15	32	23	42	33	52	47		
3	2	13	9	23	16	33	24	43	35	53	49		
4	3	14	9	24	16	34	25	44	36	54	51		
5	3	15	10	25	17	35	26	45	37	55	53		
6	4	16	11	26	18	36	27	46	38	56	55		
7	5	17	11	27	19	37	28	47	40	57	57		
8	5	18	12	28	20	38	29	48	41	58	59		
9	6	19	13	29	21	39	30	49	43	59	62		
10	7	20	13	30	21	40	31	50	44	60	64		
11	7	21	14	31	22	41	32	51	46	61	67		

α	s	α	s	α	s	α	s	α	s	α	s	α	s
2	1	12	8	22	15	32	24	42	34	52	49		
3	2	13	9	23	16	33	25	43	35	53	50		
4	3	14	9	24	17	34	26	44	37	54	52		
5	3	15	10	25	18	35	27	45	38	55	54		
6	4	16	11	26	19	36	28	46	39	56	56		
7	5	17	12	27	19	37	29	47	41	57	59		
8	5	18	12	28	20	38	30	48	42	58	61		
9	6	19	13	29	21	39	31	49	44	59	63		
10	7	20	14	30	22	40	32	50	45	60	66		
11	7	21	15	31	23	41	33	51	47	61	69		

Double guide



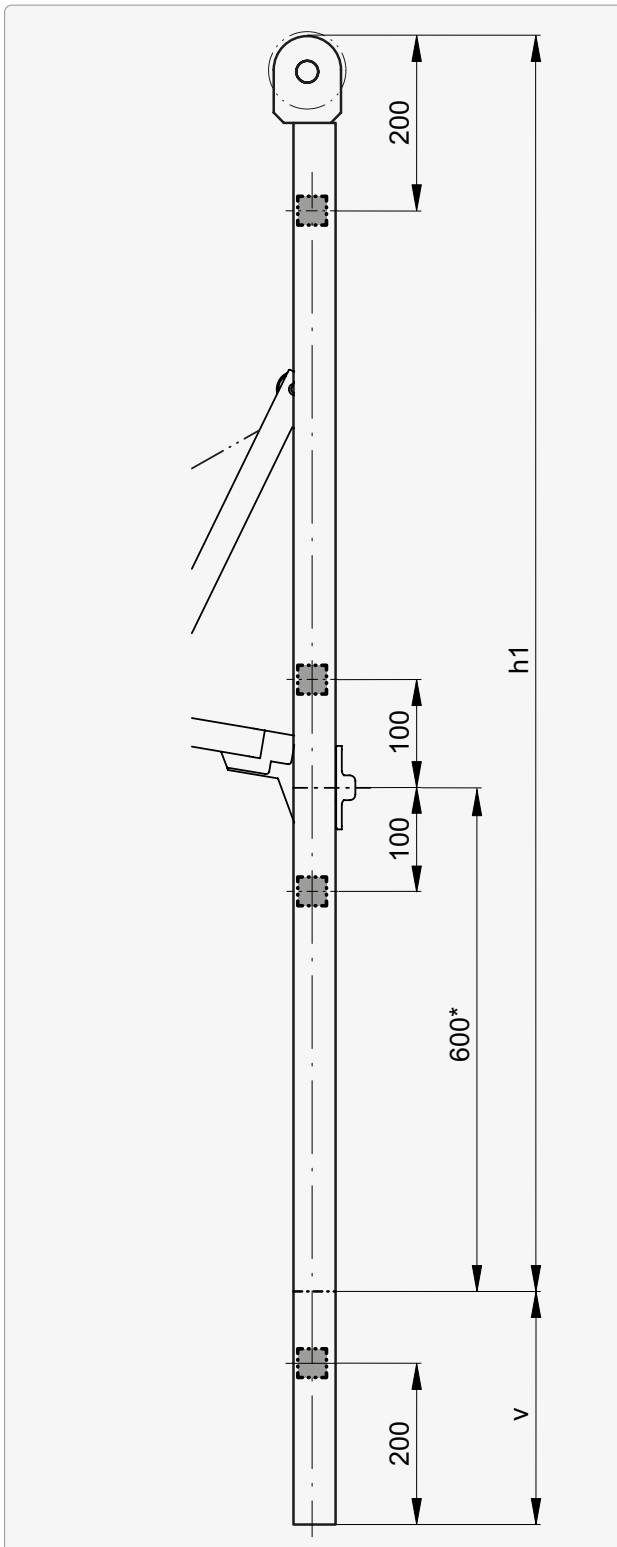
α	s	α	s	α	s	α	s	α	s	α	s
2	1	12	8	22	16	32	24	42	35	52	50
3	2	13	9	23	17	33	25	43	36	53	52
4	3	14	10	24	17	34	26	44	38	54	54
5	3	15	10	25	18	35	27	45	39	55	56
6	4	16	11	26	19	36	28	46	40	56	58
7	5	17	12	27	20	37	29	47	42	57	60
8	5	18	13	28	21	38	30	48	43	58	62
9	6	19	13	29	22	39	32	49	45	59	65
10	7	20	14	30	23	40	33	50	46	60	68
11	8	21	15	31	23	41	34	51	48	61	70

Fastening points Galleria®**Without extension**

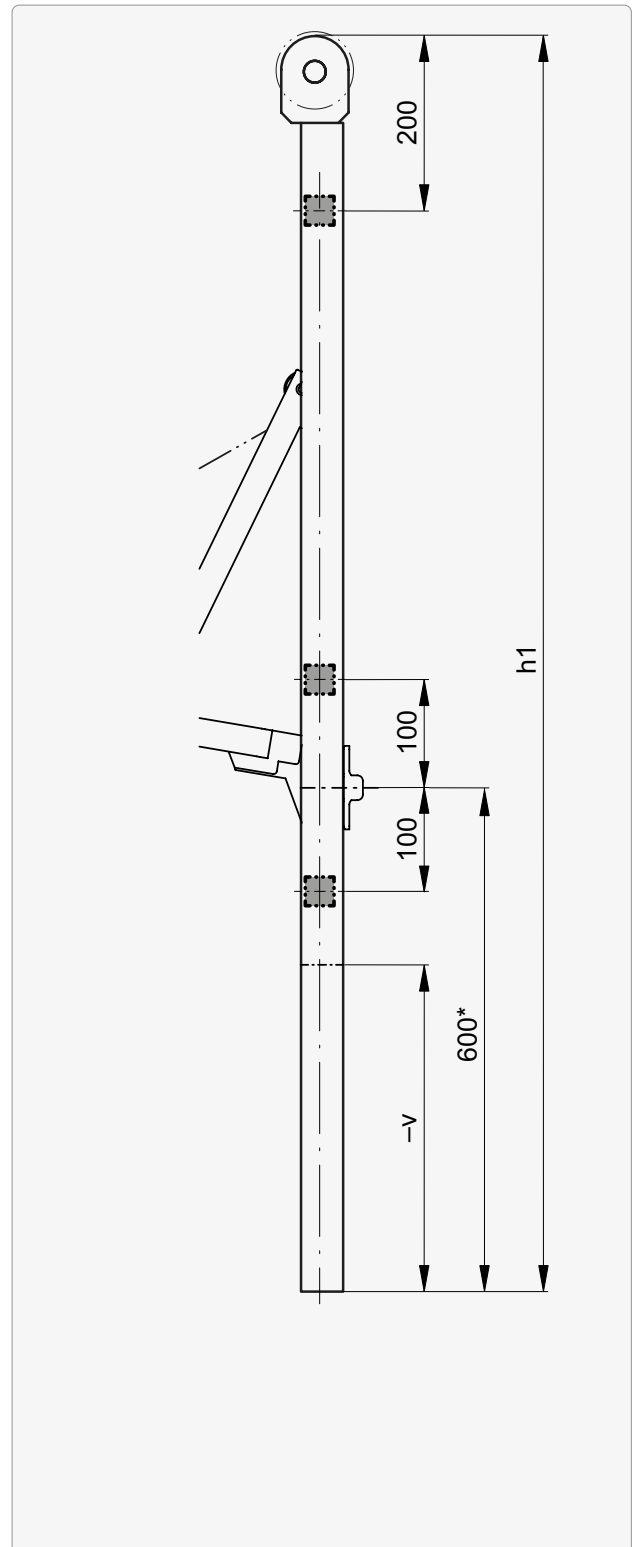
* Fastening for sliding arm for standard

►► Fastening points Galleria®

With guide rail extension



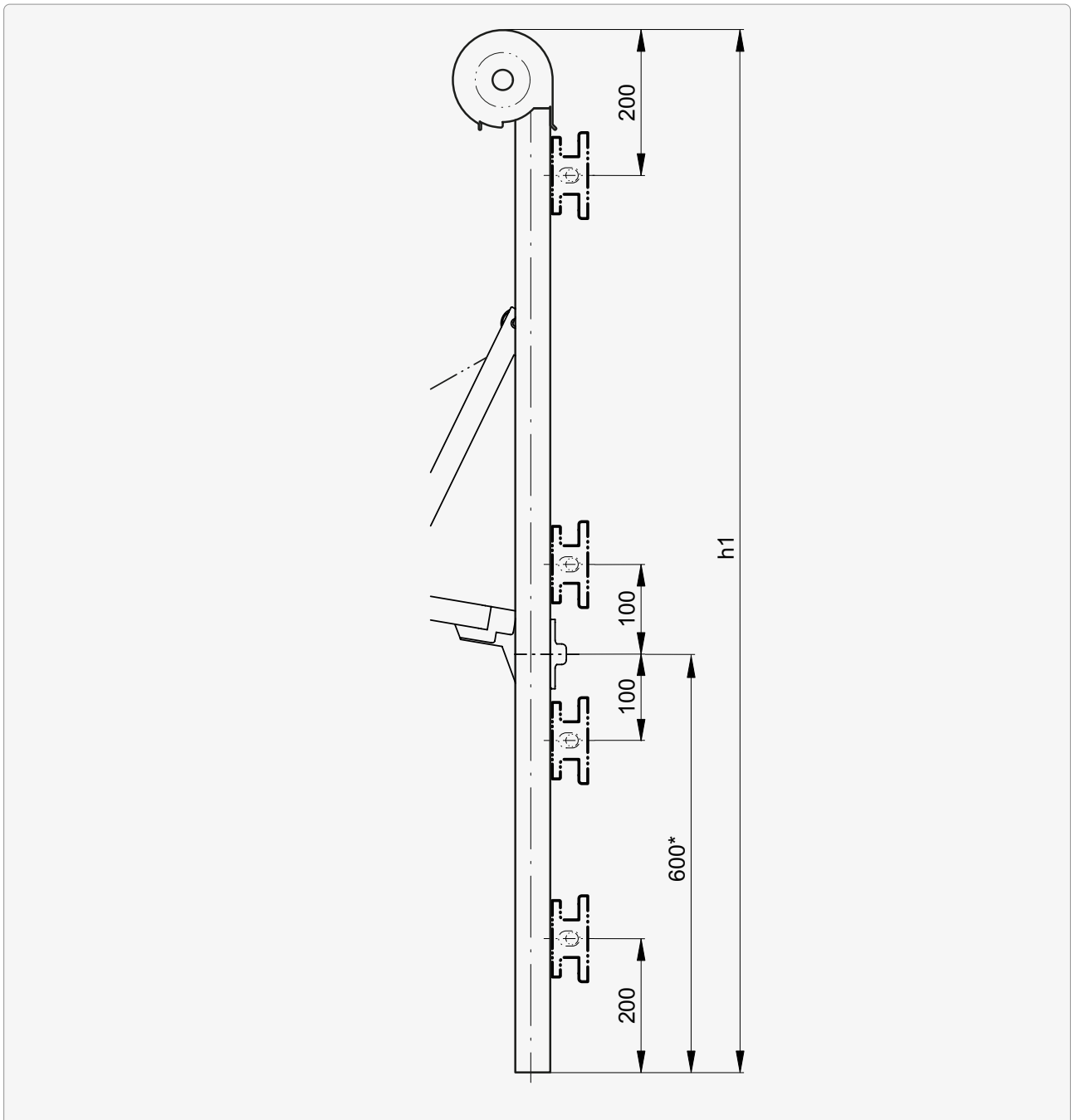
i $v = 1 \dots 1000$



i $-v = -1 \dots -400$

v Guide rail extension: 0... 1000

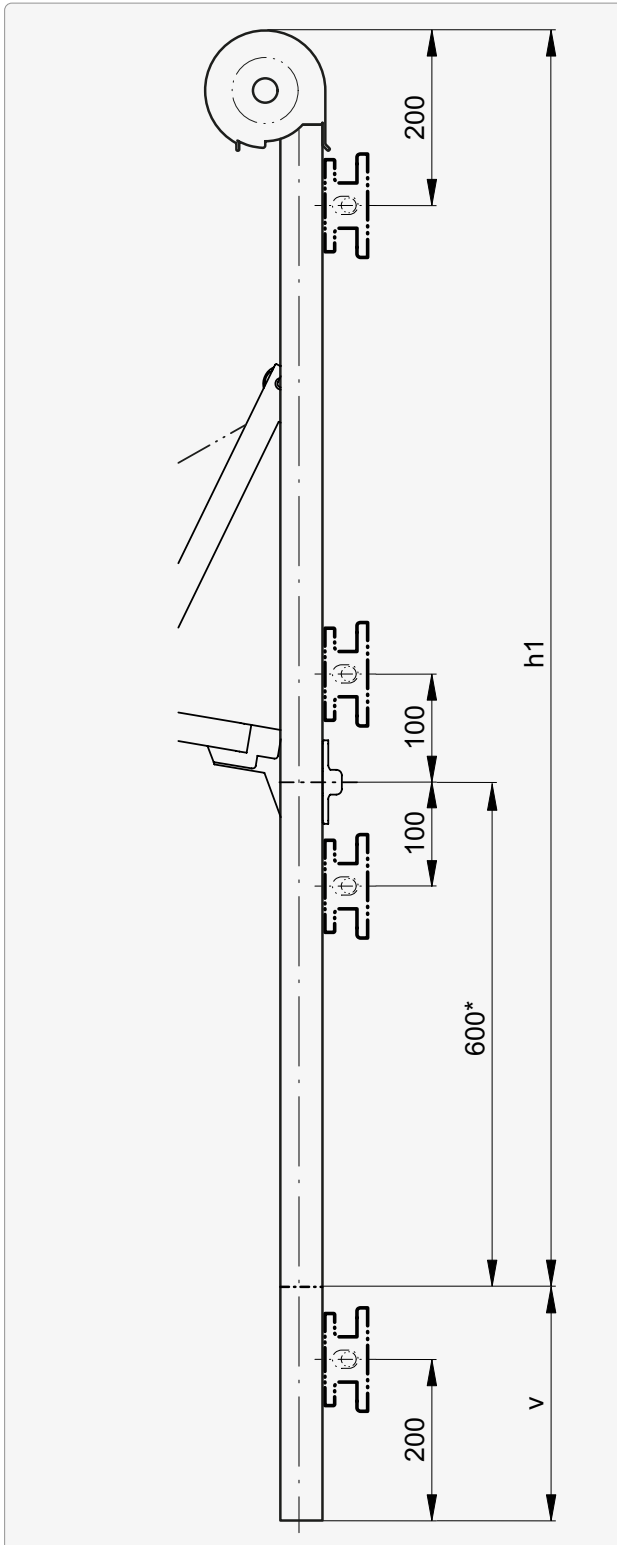
* Fastening for sliding arm for standard

Fastening points Galleria® Box**Without extension**

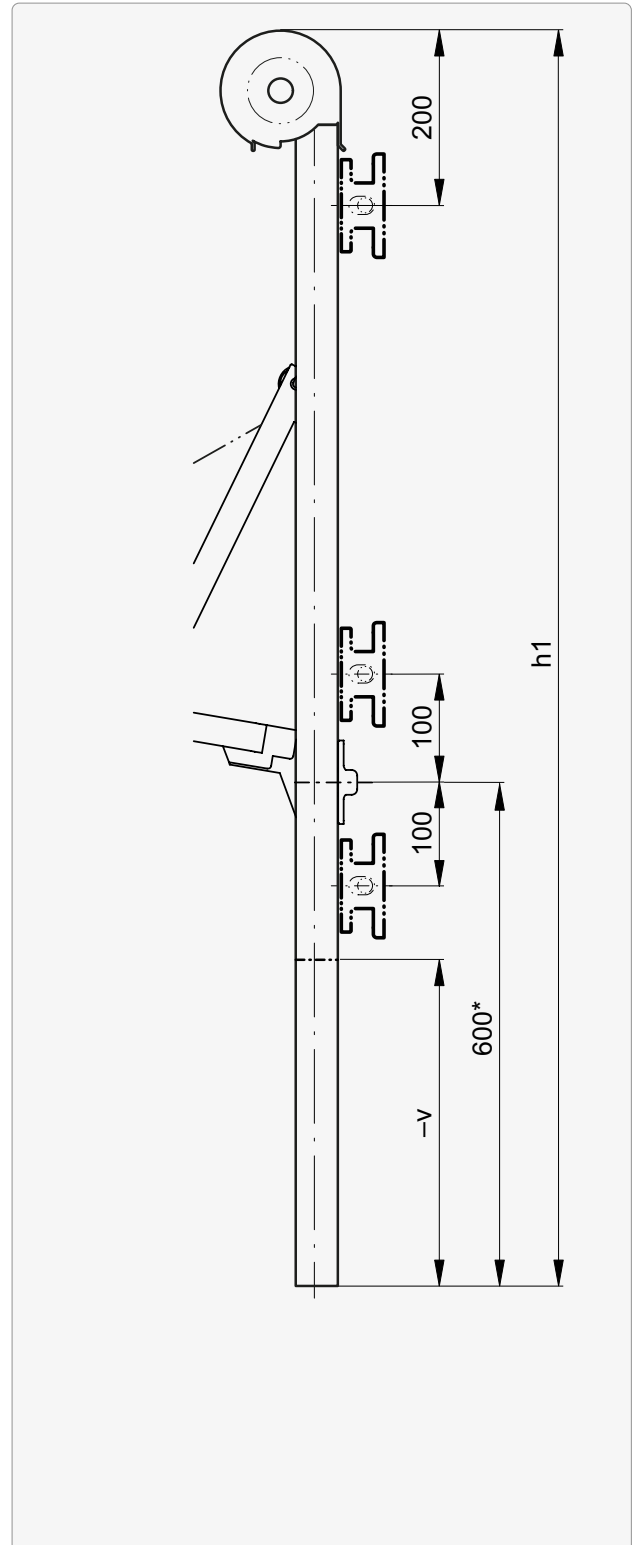
* Fastening for sliding arm for standard

►► Fastening points Galleria® Box

With guide rail extension



i $v = 1 \dots 1000$



i $-v = -1 \dots -400$

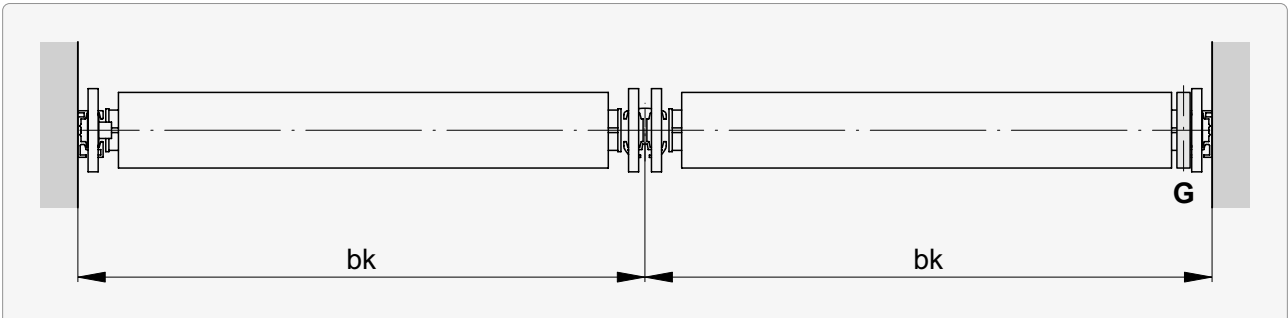
v Guide rail extension: 0... 1000

***** Fastening for sliding arm for standard

Connected systems

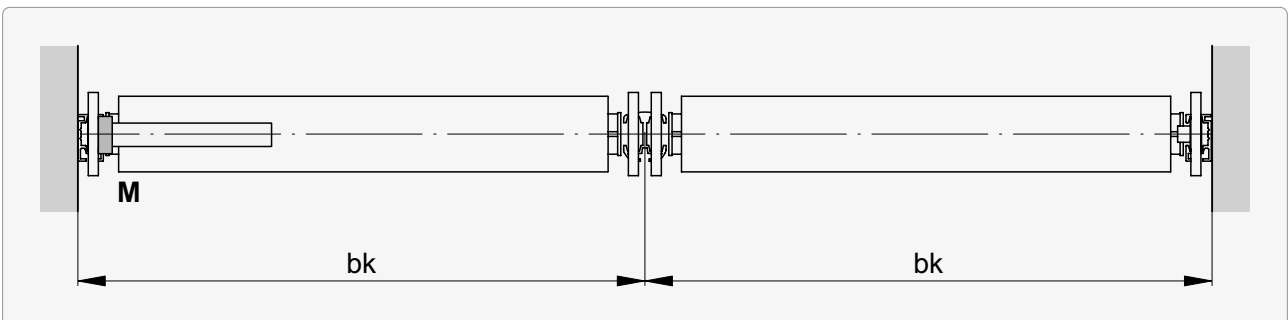
With crank drive

Fix

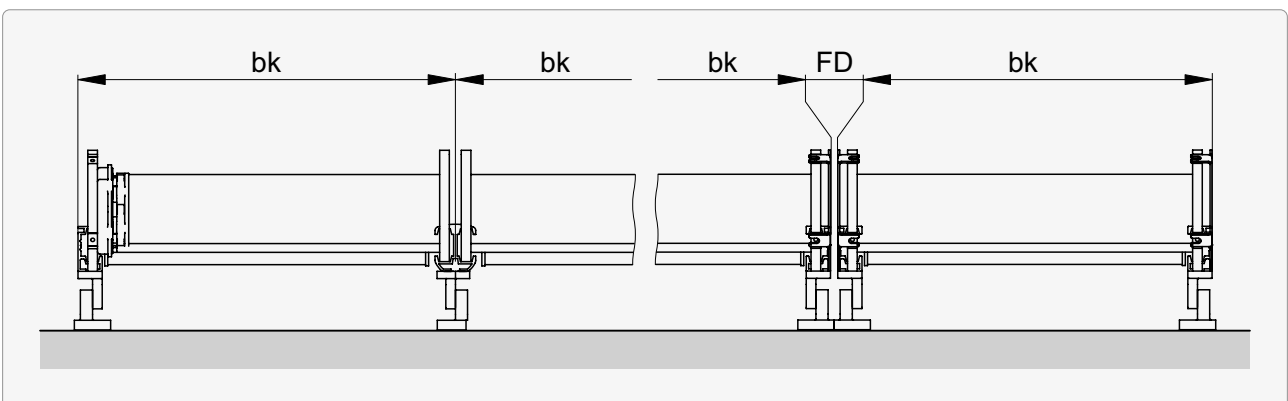


With motor drive

Fix



Box



FD

5 ... 320



Tube[®]

Phase-out*

Limit dimensions Tube [®]	232
Limit dimensions Tube [®] Box	232
Fabric deduction	232
Built-in system	233
Built-in system under ceiling	233
Installation system	234
Sliding arms	235
Sections Details	236
Fastening for drop arm	237
Bearing fastenings	238
Connected systems	244



* **Phase-out**, can still be ordered until 30.4.2033 as a complete product for replacement cases, replacement assemblies are available until 30.4.2033. Spare parts remain available until at least 30.4.2036.

Limit dimensions Tube®**Single awning**

Operation	Width min. (bk)	Width max. (bk)	Length of arm (AL)	Surface max. [m ²]
Crank drive	400	4000	800, 1000, 1200, 1500	10
Motor drive	800			

Connected systems

Operation	Width max. (bk)	Width max. (Σ bk + FD)	Blinds max.	Surface max. [m ²]
Crank drive	3500 ¹ 4000	6000	3	10
Motor drive		7000 ¹ 8000		24

Limit dimensions Tube® Box**Single awning**

Operation	Width min. (bk)	Width max. (bk)	Length of arm (AL)	Surface max. [m ²]
Crank drive	400	4000	800, 1000, 1200, 1500	10
Motor drive	800			

Connected systems

Operation	Width max. (bk)	Width max. (Σ bk + FD)	Blinds max.	Surface max. [m ²]
Crank drive	3500 ¹ 4000	6000	3	10
Motor drive		7000 ¹ 8000		24

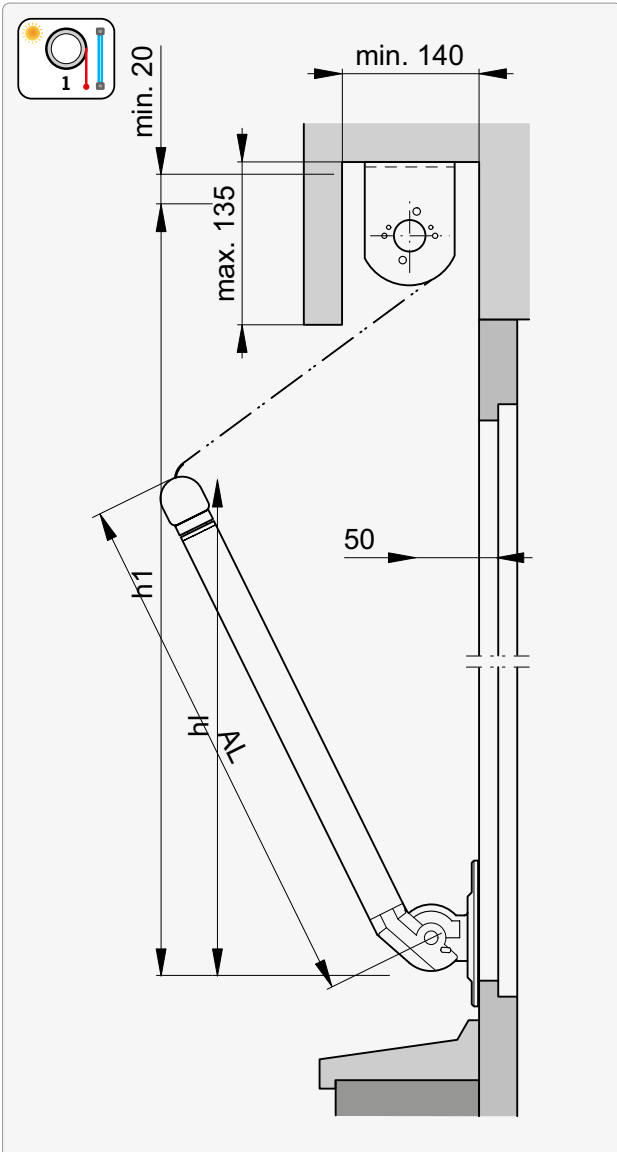
¹ with Collection Soltis

Fabric deduction

Operation	Tube®		Tube® Box	
	Drive side	Counter side	Drive side	Counter side
Crank drive	bk – 38	bk – 25	bk – 38	bk – 25
Motor drive	bk – 25		bk – 25	

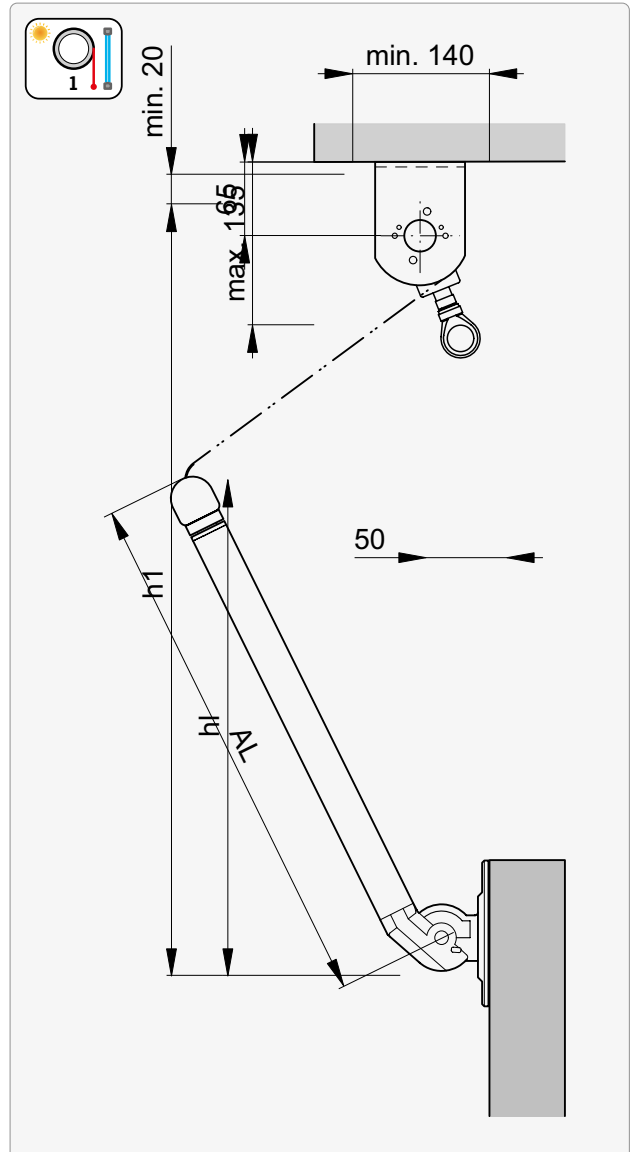
Built-in system

Vertical section

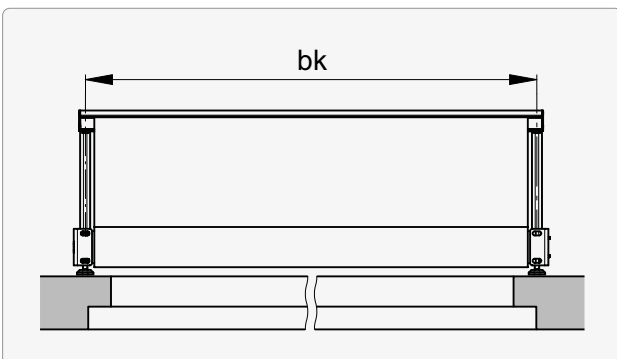


Built-in system under ceiling

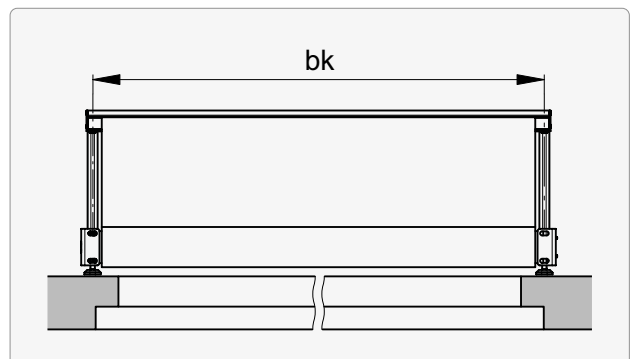
Vertical section



Horizontal section



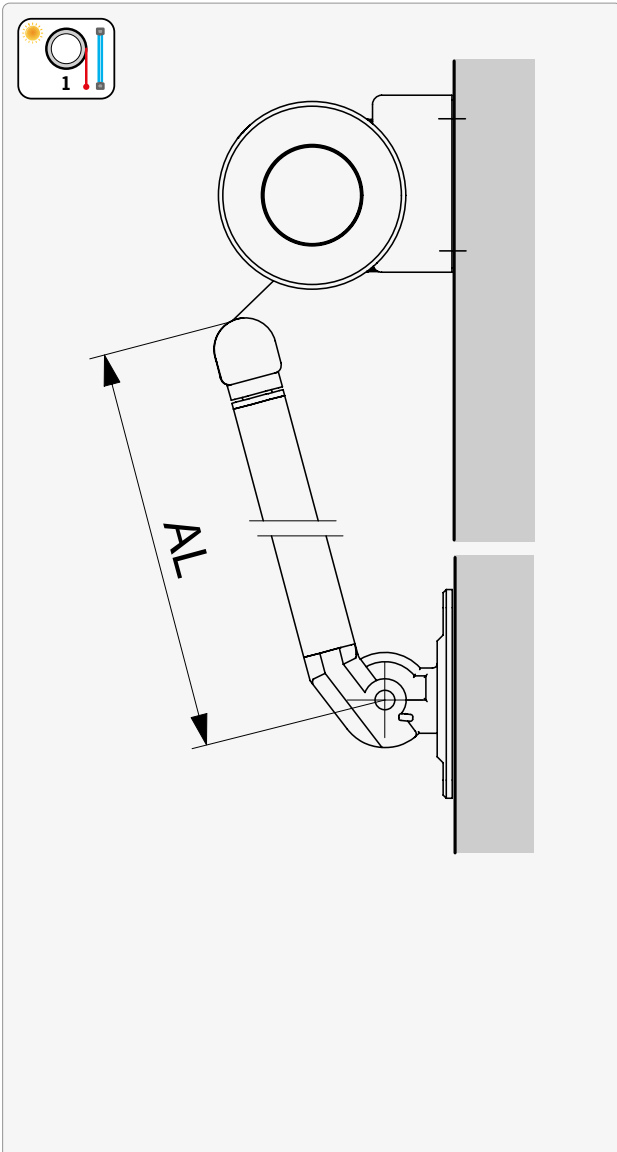
Horizontal section



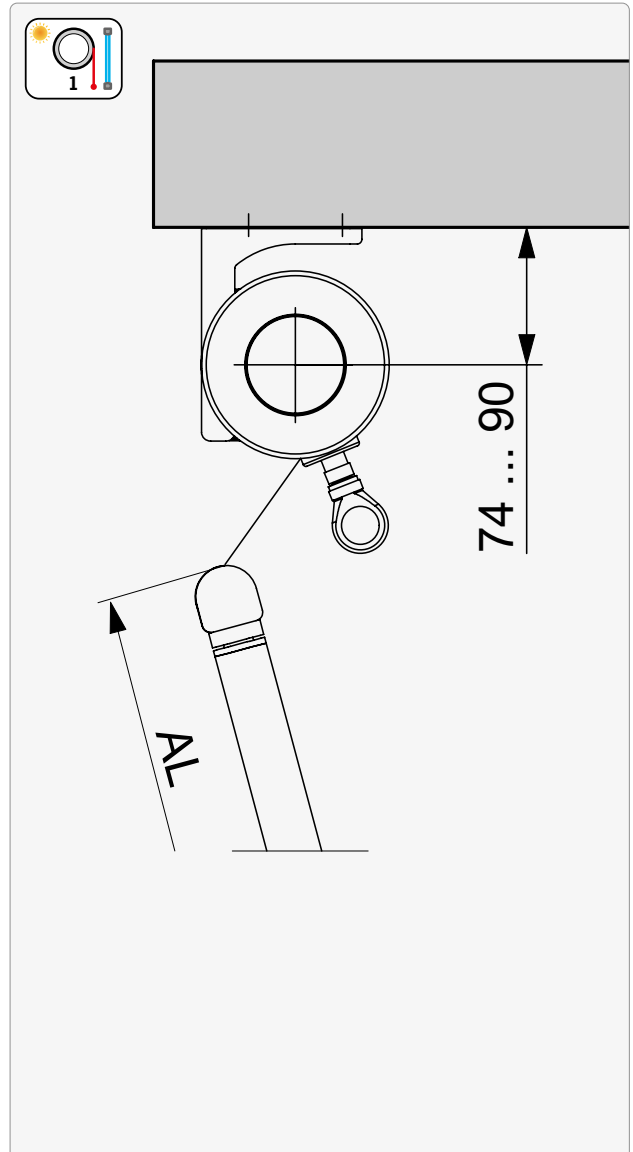
Phase-out

Installation system

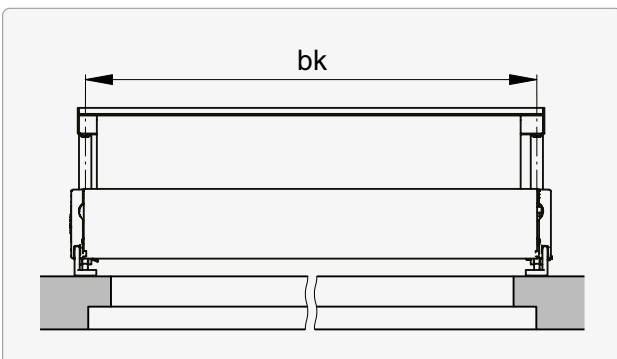
Vertical section



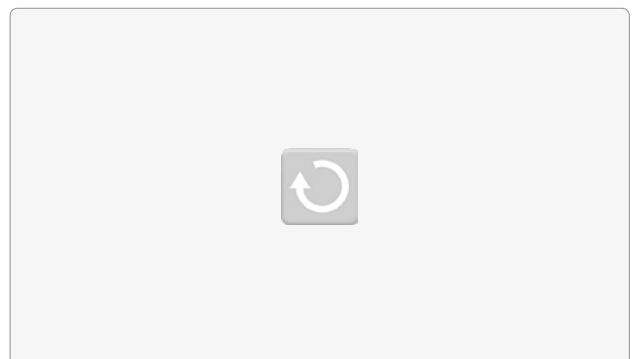
Vertical section: under ceiling



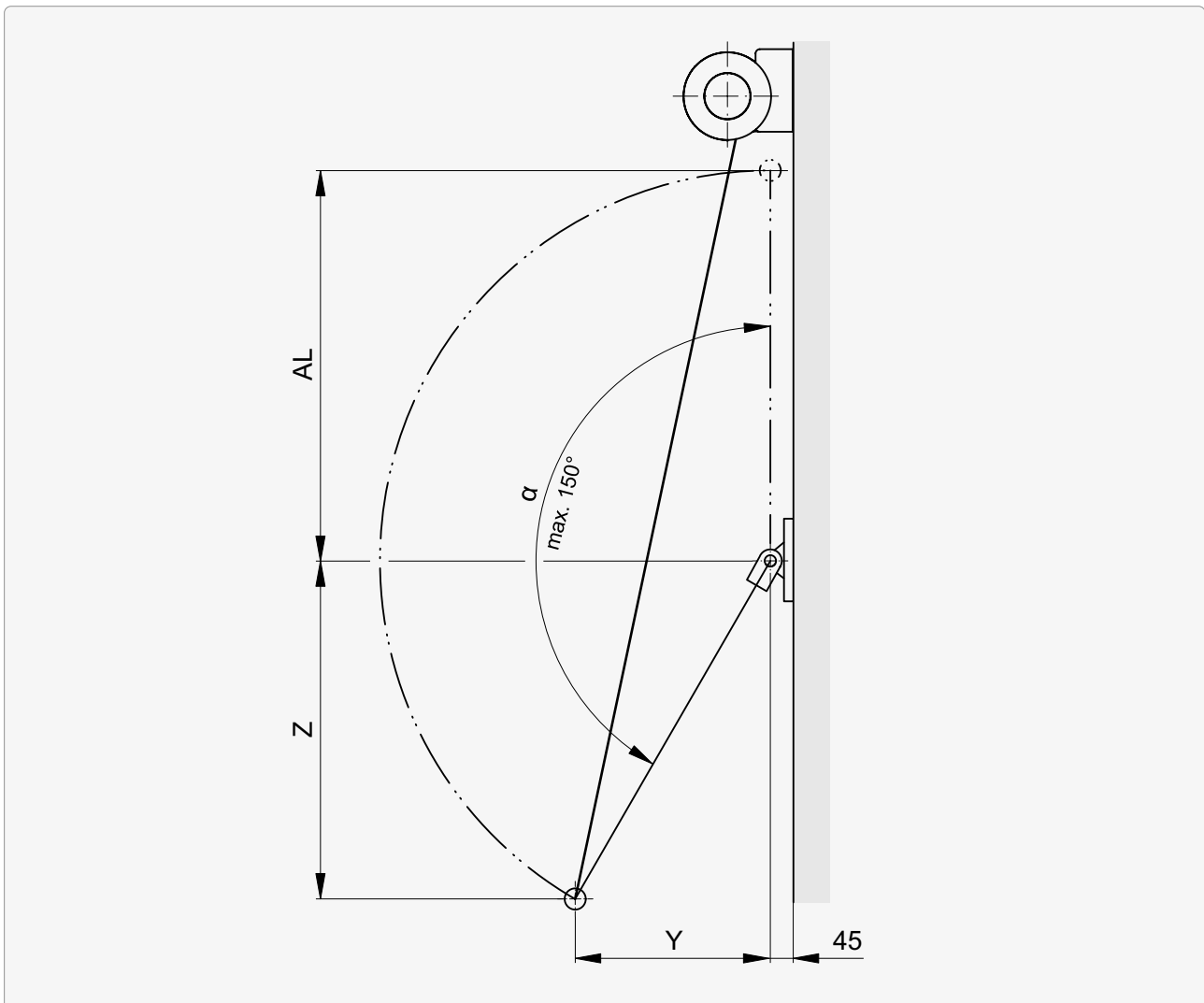
Horizontal section



Horizontal section



Sliding arms



AL	α	Y	Z	AL	α	Y	Z
800	100°	788	139	1200	100°	1182	208
	110°	752	274		110°	1128	410
	120°	693	400		120°	1040	600
	135°	566	566		135°	849	849
	150°	400	693		150°	600	1040
1000	100°	985	174	1500	100°	1477	260
	110°	940	342		110°	1410	513
	120°	866	500		120°	1300	750
	135°	707	707		135°	1060	1060
	150°	500	866		150°	750	1300

AL Length of arm

Phase-out

Sections | Details

Horizontal section: Built-in system



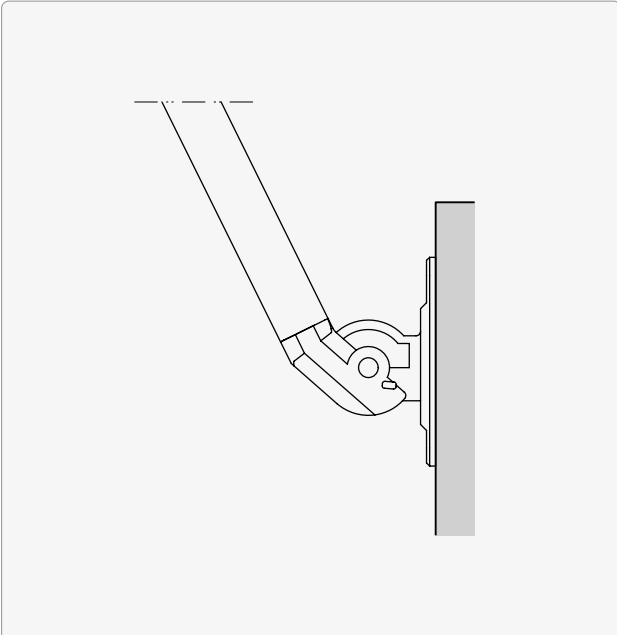
Horizontal section: Installation system



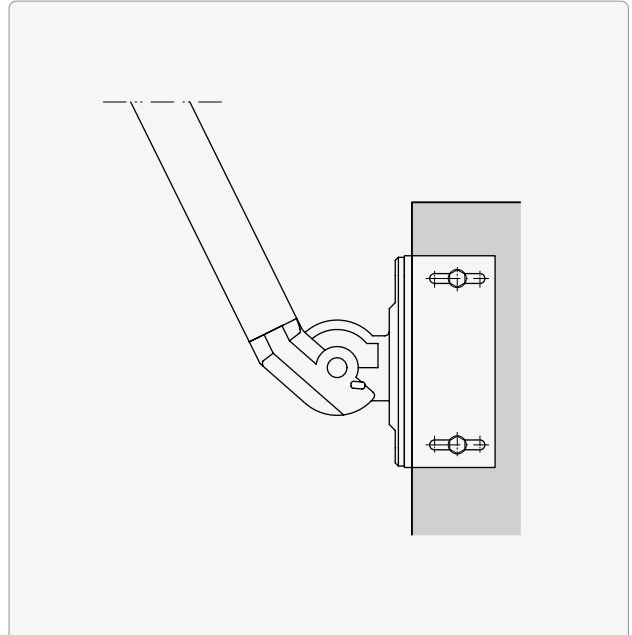
* 35 mm for NH installation with adjustable bearing.

Fastening for drop arm

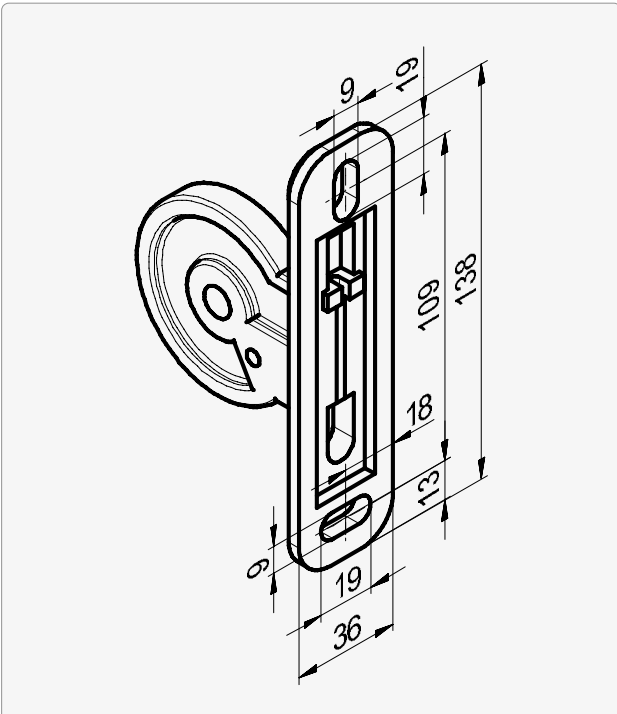
AF Facade installation



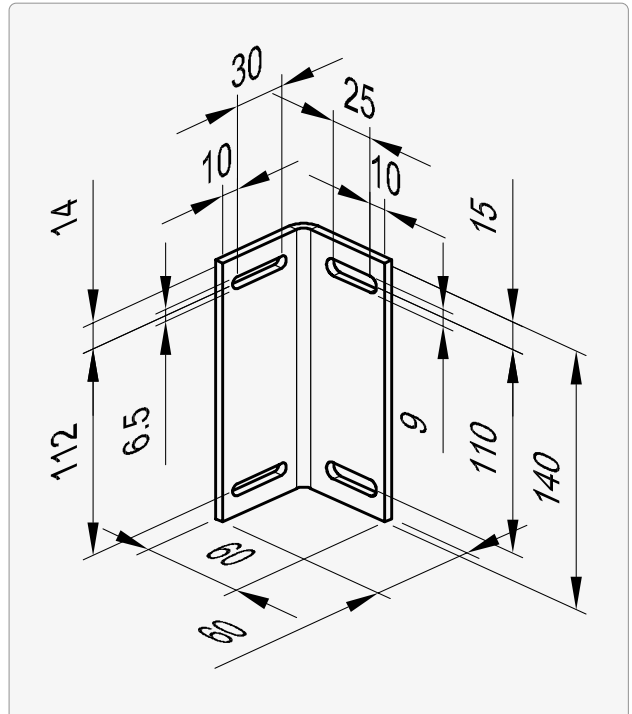
NS At side



Support for type AF and NS



Bracket for type NS

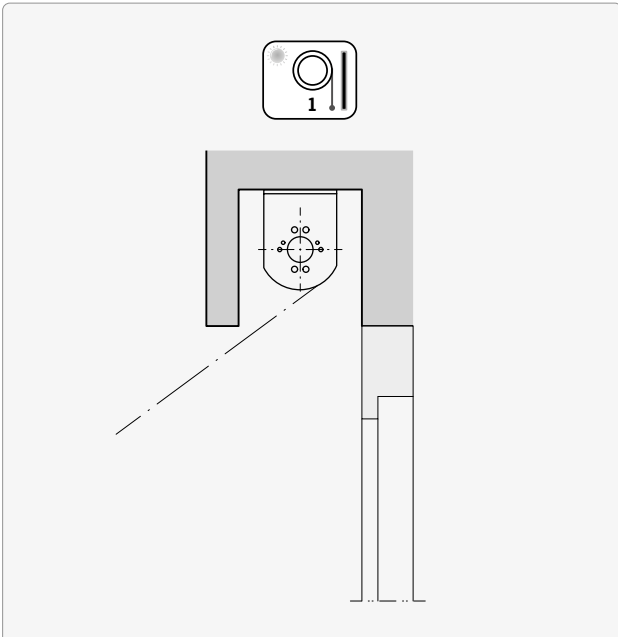


Phase-out

Bearing fastenings

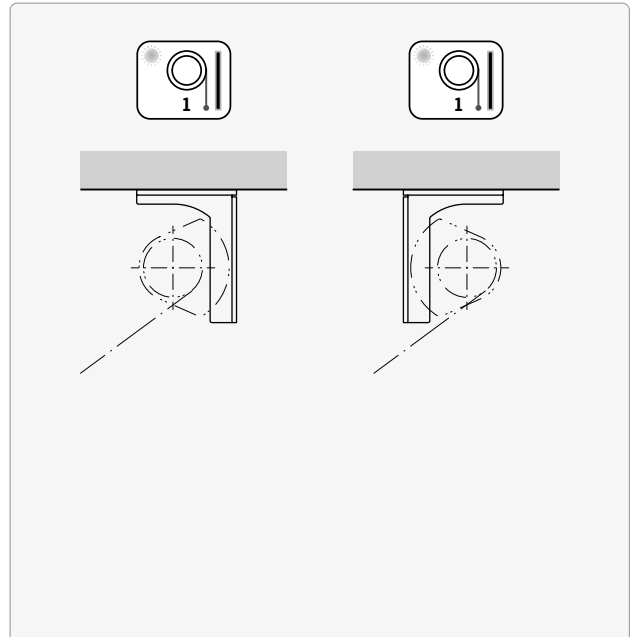
At top

NO

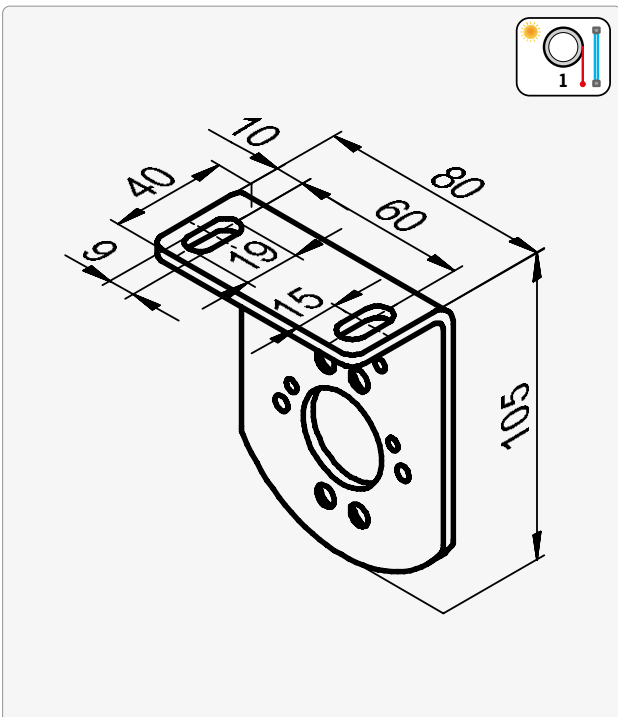


At top | Designer bearing

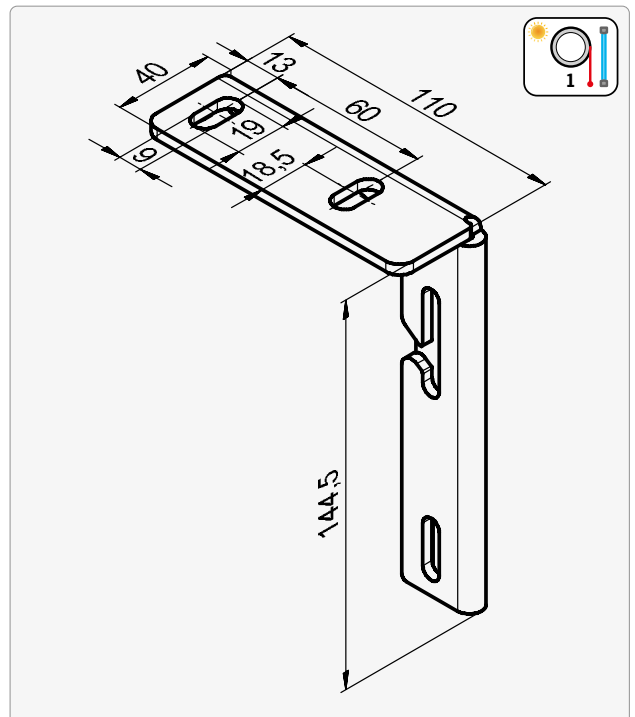
NO



Sheet metal support right for type NO



Installation clip right for type NO



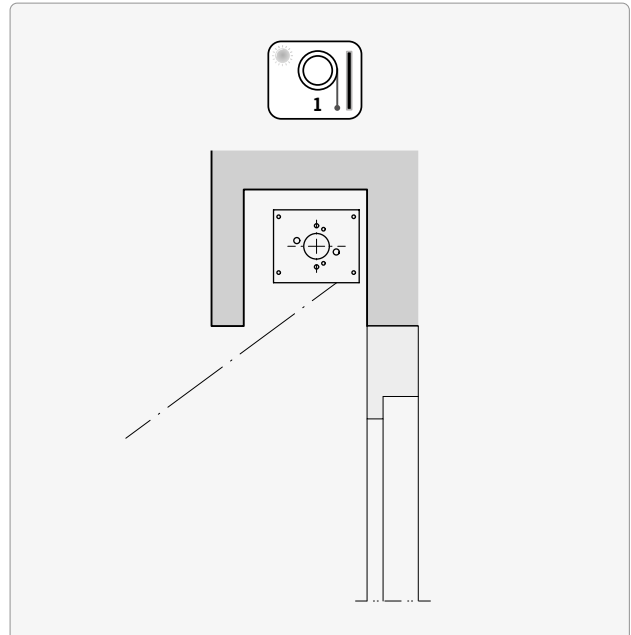
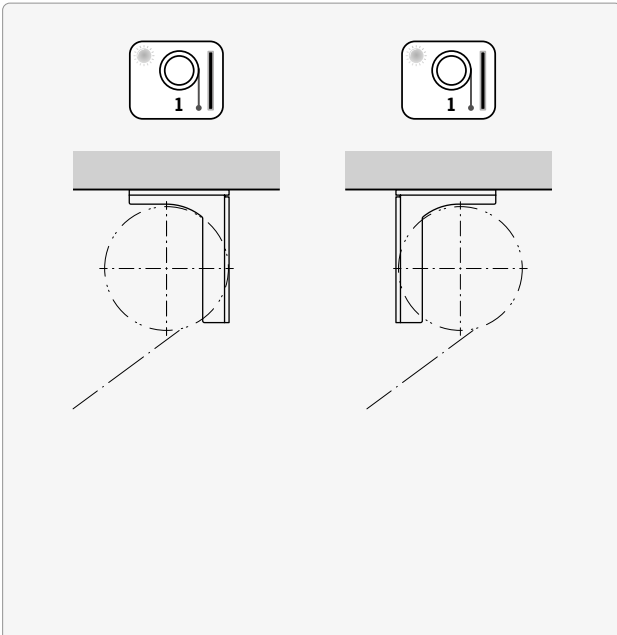
►► Bearing fastenings

At top | Designer bearing

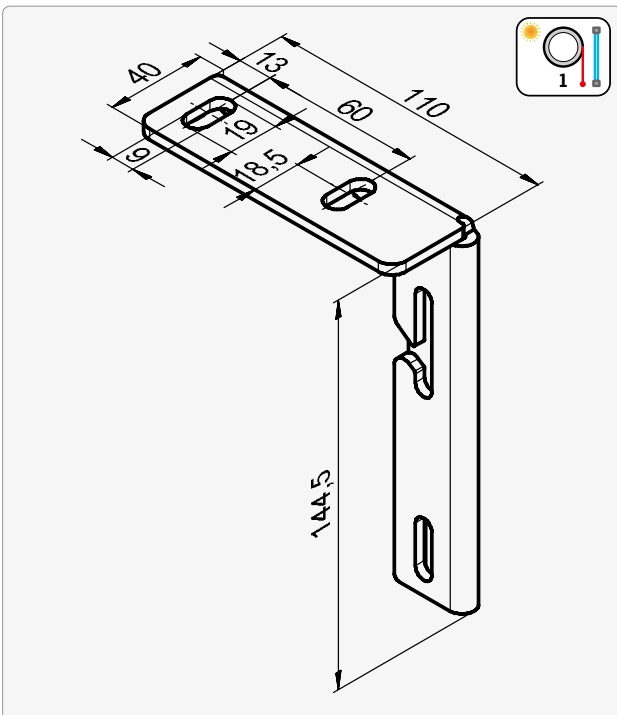
Box NO

At side

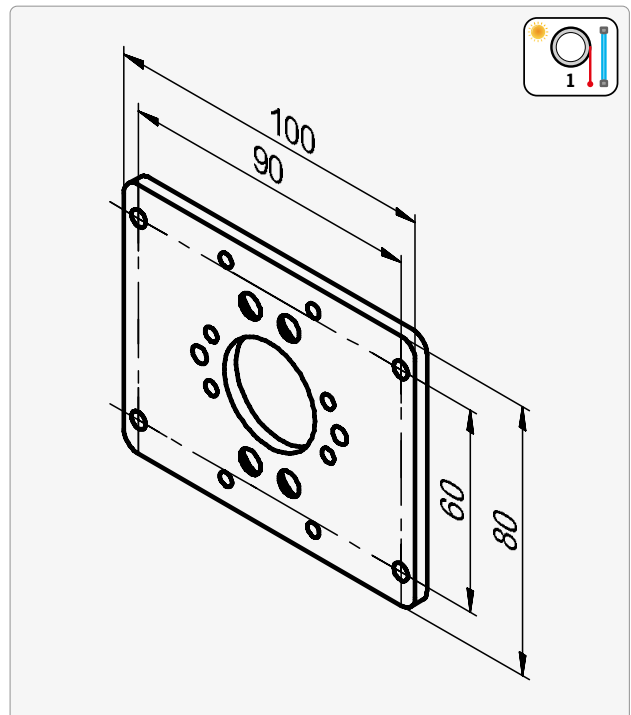
NS



Installation clip right for type NO



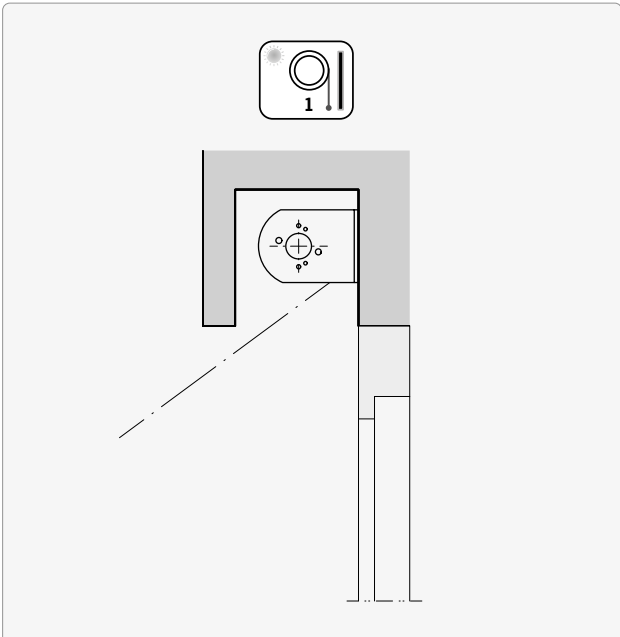
Sheet metal support right for type NS



►► Bearing fastenings

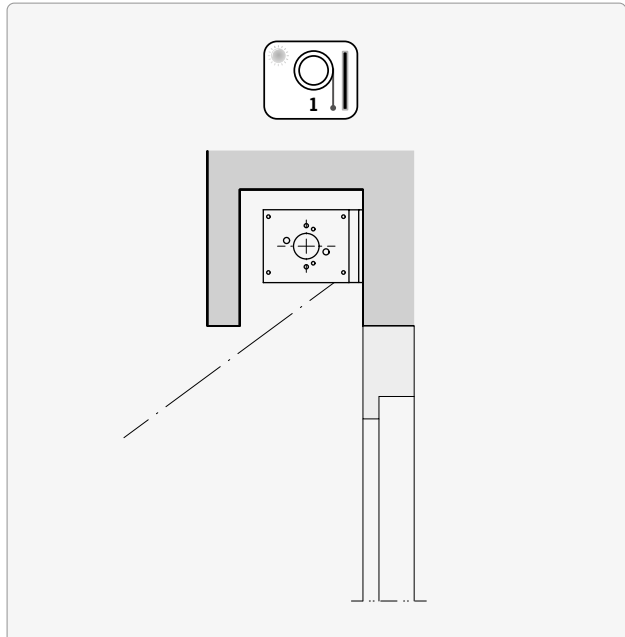
At back | Fix

NHf

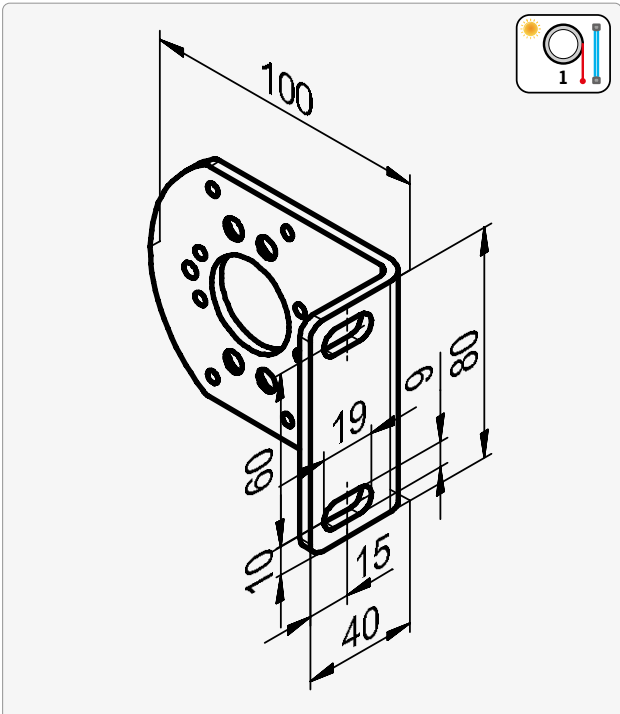


At back | Adjustable

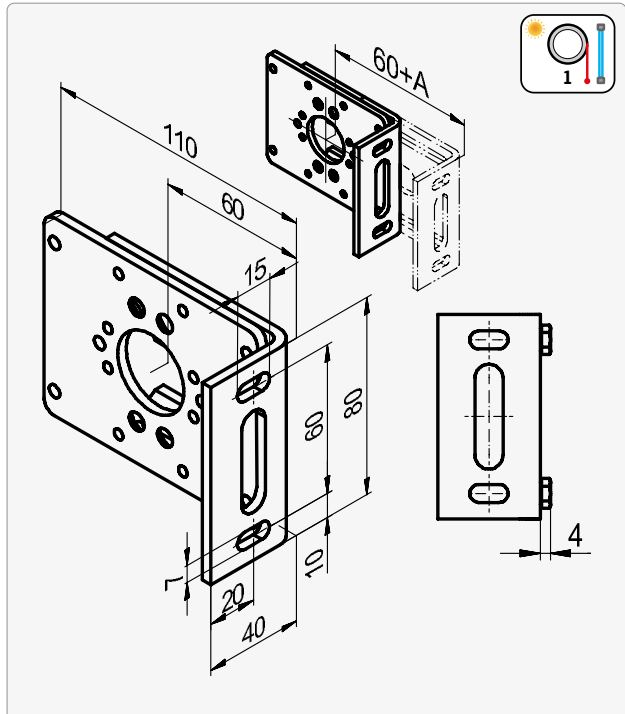
NHv



Sheet metal support right for type NHf



Sheet metal support right for type NHv



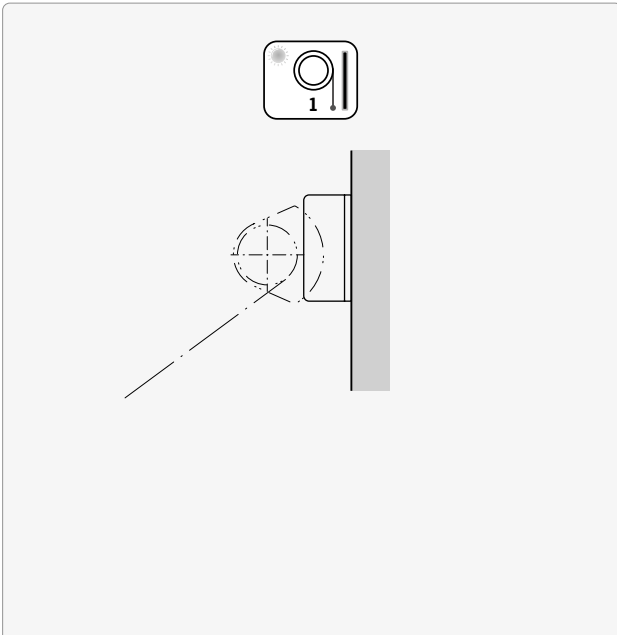
A

0... 50

►► Bearing fastenings

At back | Designer bearing

NH

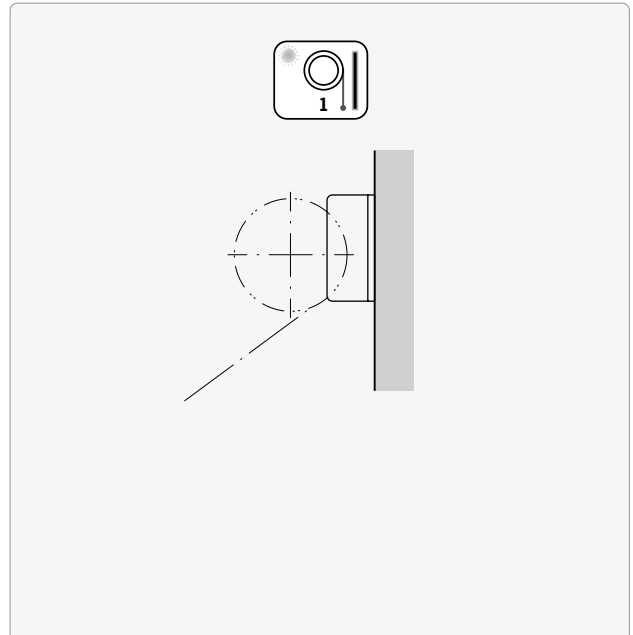


Only with motor

At back | Designer bearing

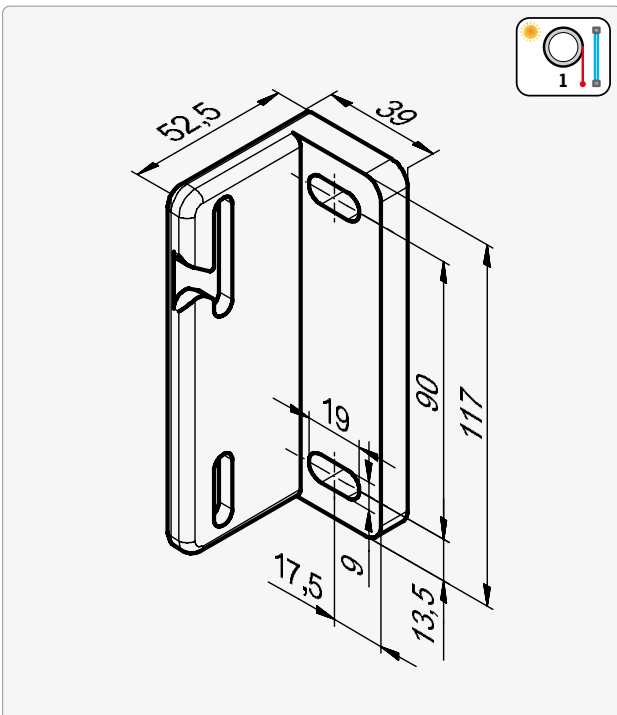
Box

NH

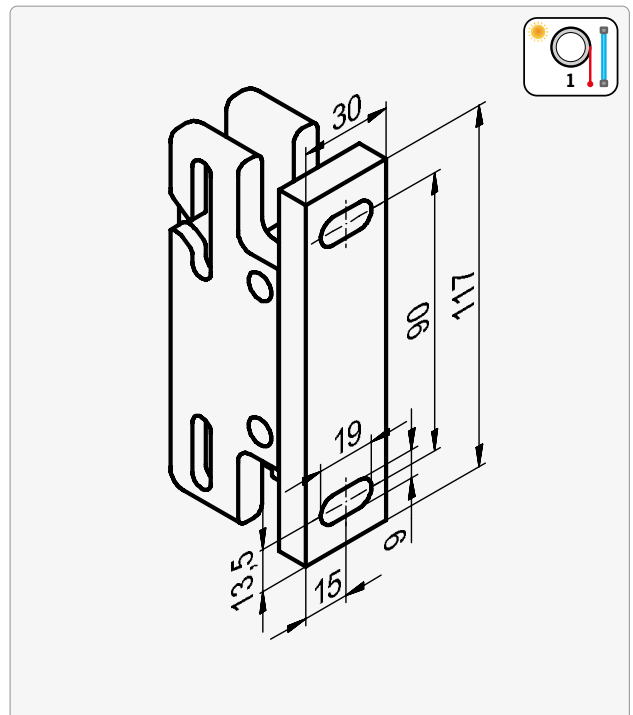


Only with motor

Installation clip bearing right for type NH



Double clip for type NH

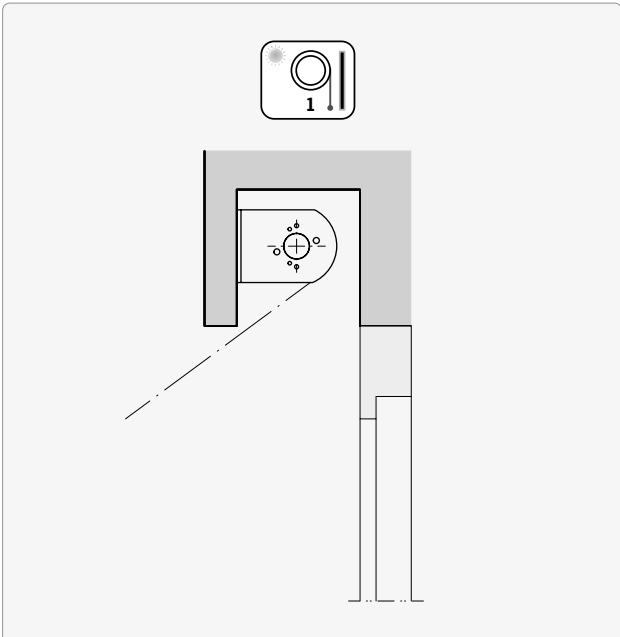


Phase-out

►► Bearing fastenings

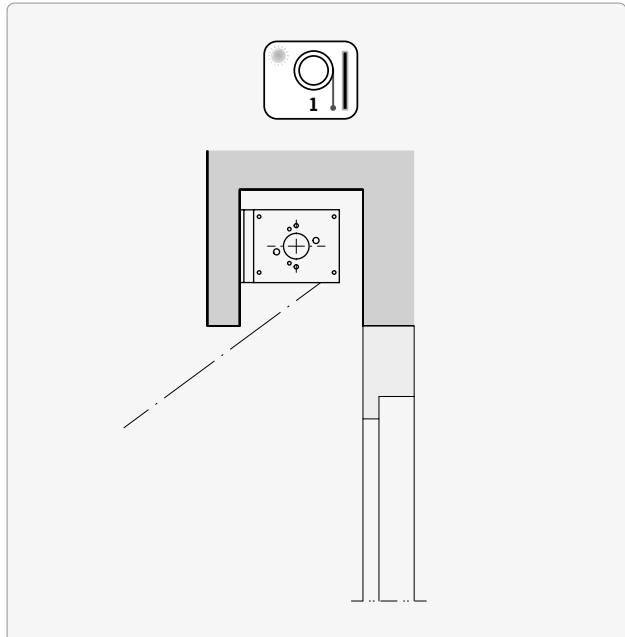
At front | Fix

NVf

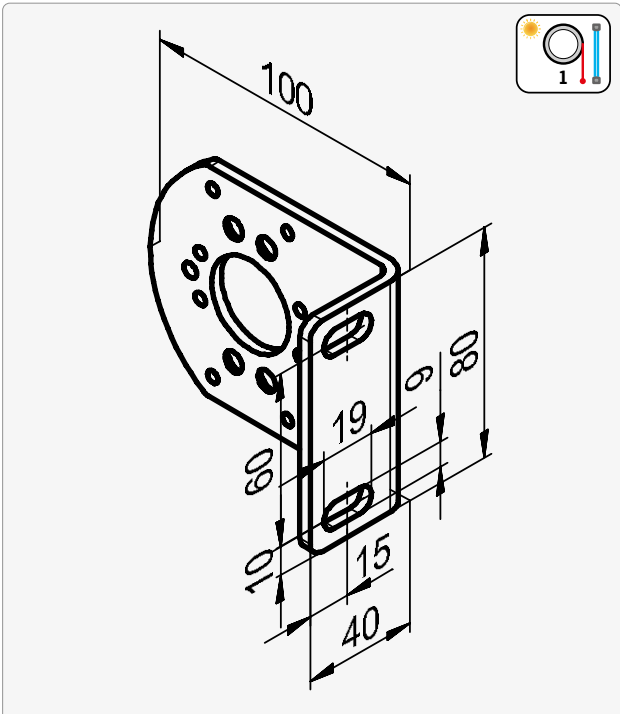


At front | Adjustable

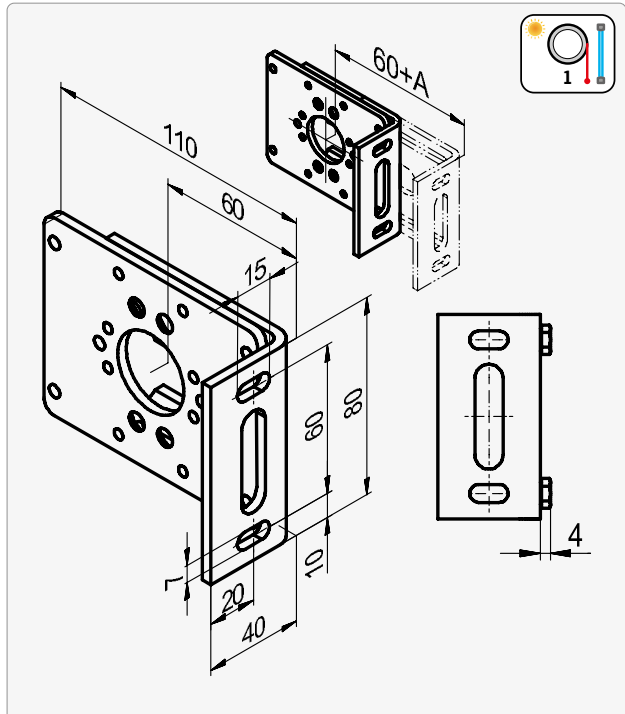
NVv



Sheet metal support left for type NVf



Sheet metal support left for type NVv



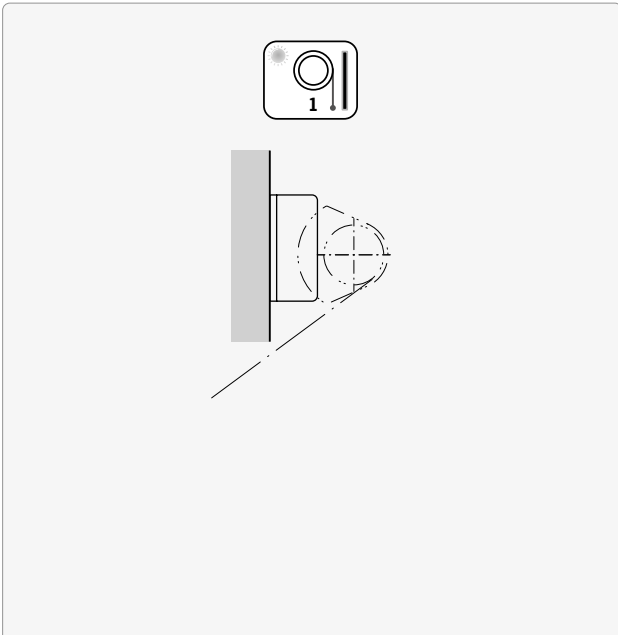
A

0... 50

►► Bearing fastenings

At front | Designer bearing

NV

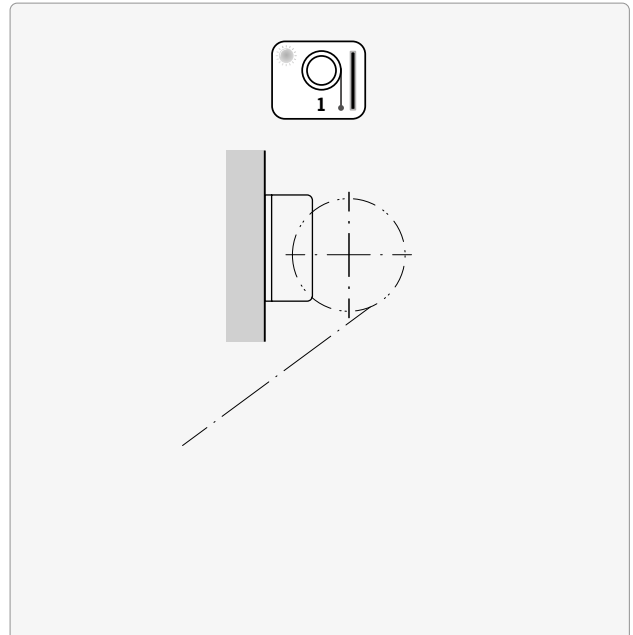


Only with motor

At front | Designer bearing

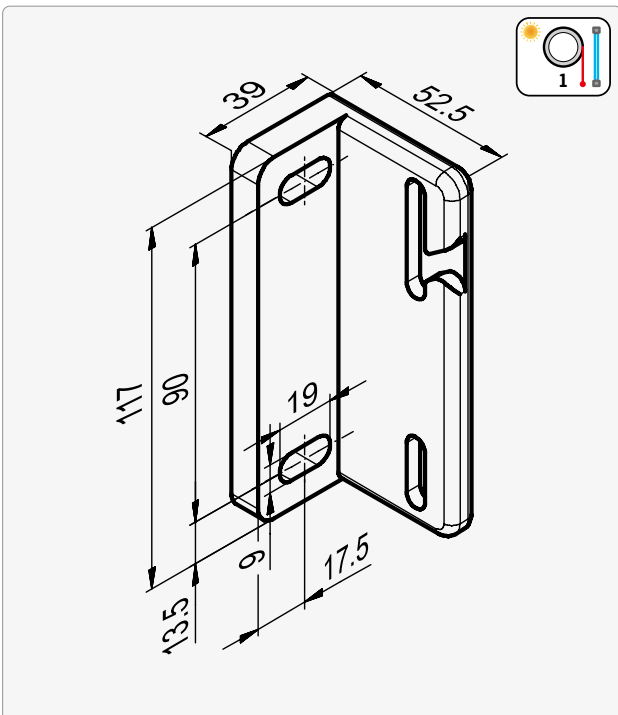
Box

NV

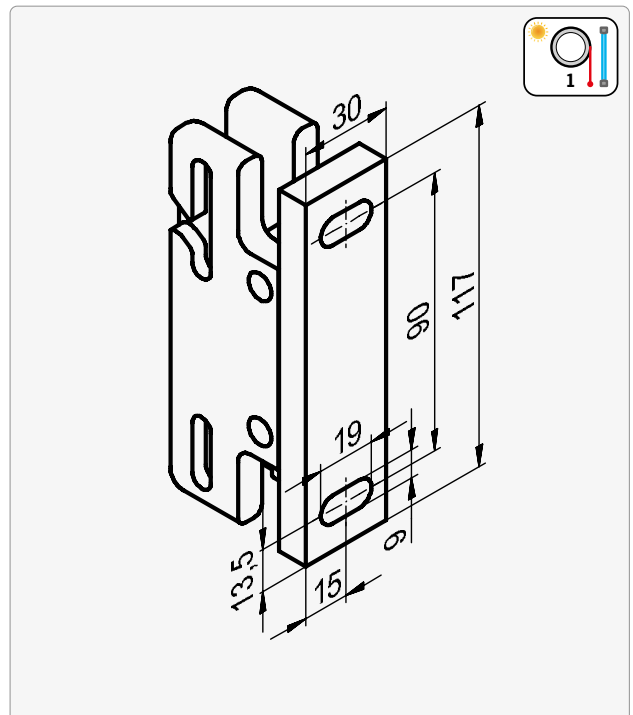


Only with motor

Installation clip bearing right for type NV



Double clip for type NV

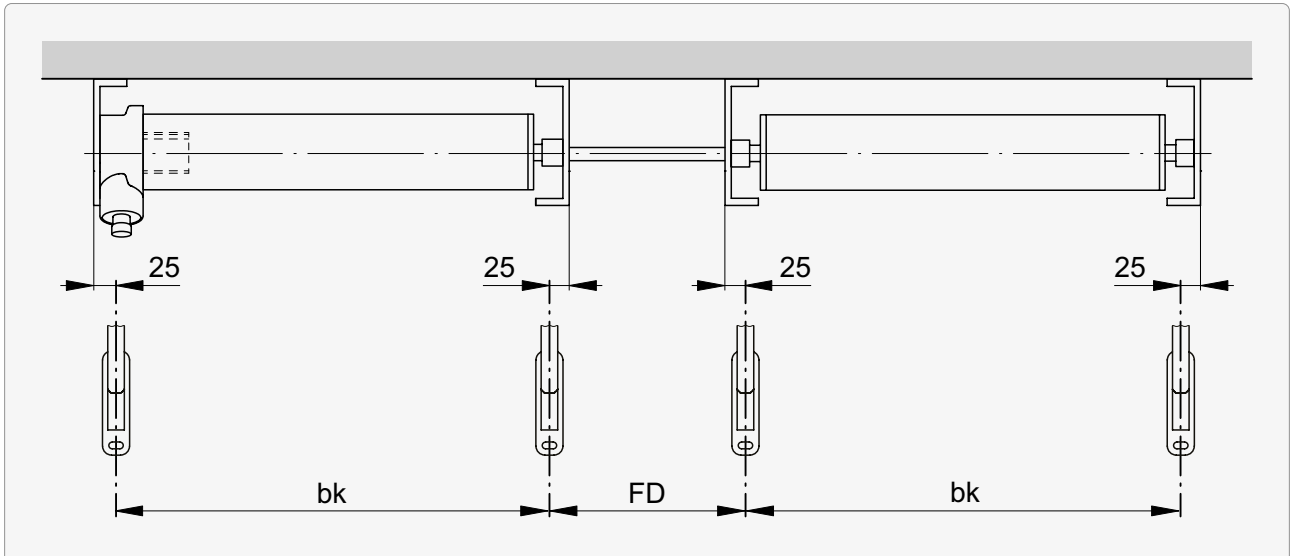


Phase-out

Connected systems

With crank drive

Conventional



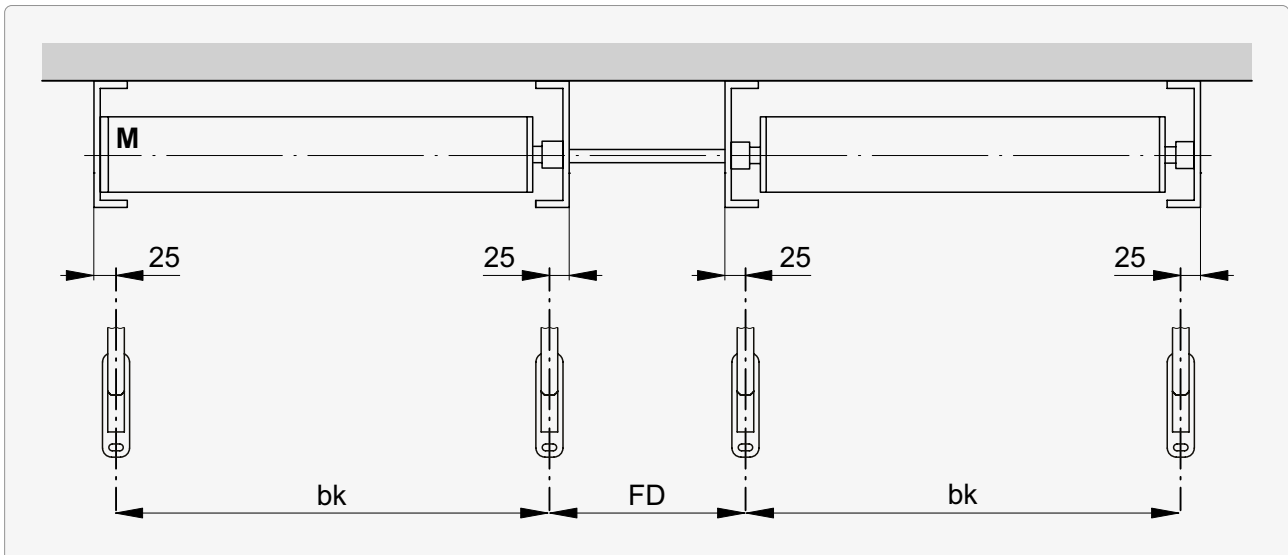
FD

50... 150

►► Connected systems

With motor drive

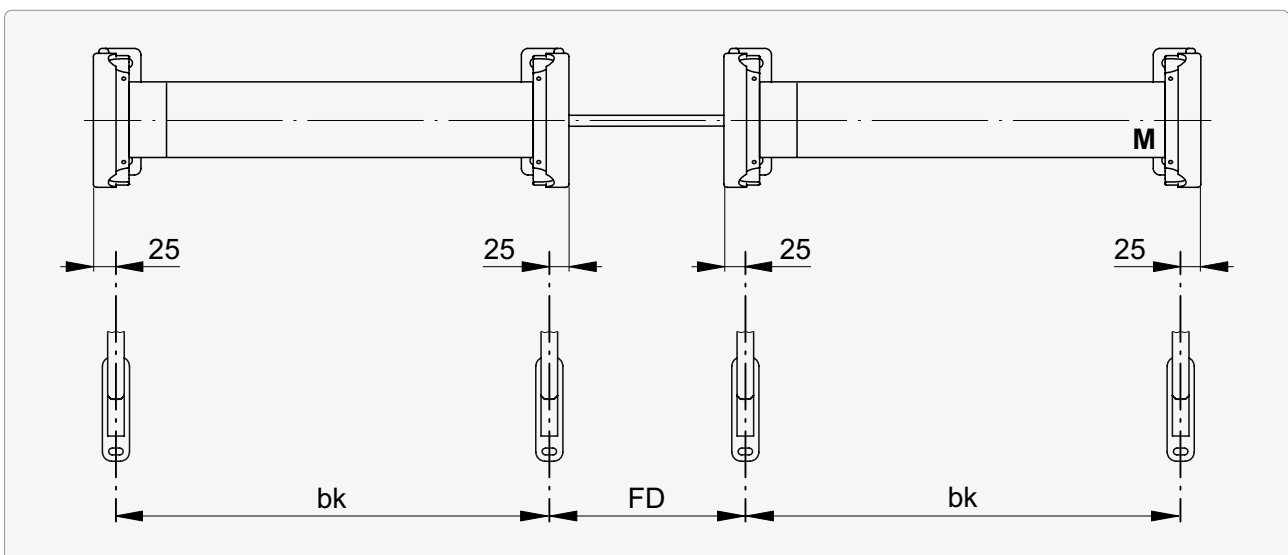
Conventional



FD

50 ... 150

Box



FD

50 ... 150



Soloscreen® III

Phase-out*

Limit dimensions Soloscreen® III Conventional	248
Limit dimensions Soloscreen® III Fix	248
Limit dimensions Soloscreen® III Box 75 Fix	248
Limit dimensions Soloscreen® III Box 65	249
Limit dimensions Soloscreen® III Box 75	249
Limit dimensions Soloscreen® III Box 90	250
Box versions	251
Style overview	252
Built-in system	253
Installation system with box	254
Bottom rails	256
Motor cable outlet	257

Rail guide

Guide rails	259
Sections Details	260
Guide rail fastenings (principle)	262
Fastening points Soloscreen® III Conventional	264
Fastening points Soloscreen® III Fix	265
Fastening points Soloscreen® III Box	266

Cable guide

Guide cable	268
Sections Details	268
Guide cable fastenings	270



* **Phase-out**, can still be ordered until 30.4.2026 as a complete product for replacement cases, replacement assemblies are available until 30.4.2029. Spare parts remain available until at least 30.4.2036.

Limit dimensions Soloscreen® III Conventional**Single awning**

Operation	Width min. (bk)	Width max. (bk)	Height min. (gh)	Height max. (gh)	Surface max. [m ²]
Crank drive	600	2800	600	2500 ^{1,3} 3000 ²	7.2
Motor drive	600	2800		3000 ^{1,2,3}	8.4

Connected systems

Operation	Width max. (bk)	Blinds max.	Surface max. [m ²]
Crank drive	5000	3	10
Motor drive			15

Limit dimensions Soloscreen® III Fix

Rail guide

Single awning

Operation	Width min. (bk)	Width max. (bk)	Height min. (gh)	Height max. (gh)	Surface max. [m ²]
Crank drive	600	2000	600	2500 ^{1,2,3}	4
Motor drive	600				

Limit dimensions Soloscreen® III Box 75 Fix

Rail guide

Single awning

Operation	Width min. (bk)	Width max. (bk)	Height min. (gh)	Height max. (gh)	Surface max. [m ²]
Crank drive	600	2500	600	2800 ^{1,2,3}	6.25
Motor drive	600	2500		2500 ^{1,3}	
				2800 ²	

¹ Collection Screen Satiné 5500² Collection Soltis 86 and 92³ Collection Soltis B92

Limit dimensions Soloscreen® III Box 65

Single awning

Operation	Width min. (bk)	Width max. (bk)	Height min. (gh)	Height max. (gh)	Surface max. [m ²]
Crank drive	600	2400	600	2000 ¹ 2500 ³ 3000 ²	7.2

Connected systems

Operation	Width max. (bk)	Blinds max.	Surface max. [m ²]
Crank drive	3000	3	6.9 ¹ 7.5 ³ 9 ²

Limit dimensions Soloscreen® III Box 75

Single awning

Operation	Width min. (bk)	Width max. (bk)	Height min. (gh)	Height max. (gh)	Surface max. [m ²]
Crank drive	600	2800	600	2500 ¹ 2500 ³ 3000 ²	8.4

Connected systems

Operation	Width max. (bk)	Blinds max.	Surface max. [m ²]
Crank drive	4000	3	10
Motor drive			12

¹ Collection Screen Satiné 5500

² Collection Soltis 86 and 92

³ Collection Soltis B92

Limit dimensions Soloscreen® III Box 90**Single awning**

Operation	Width min. (bk)	Width max. (bk)	Height min. (gh)	Height max. (gh)	Surface max. [m ²]
Crank drive	600	2800	600	3000 ^{1,2,3}	8.4
Motor drive	600				

Connected systems

Operation	Width max. (bk)	Blinds max.	Surface max. [m ²]
Crank drive	5000	3	10
Motor drive			15

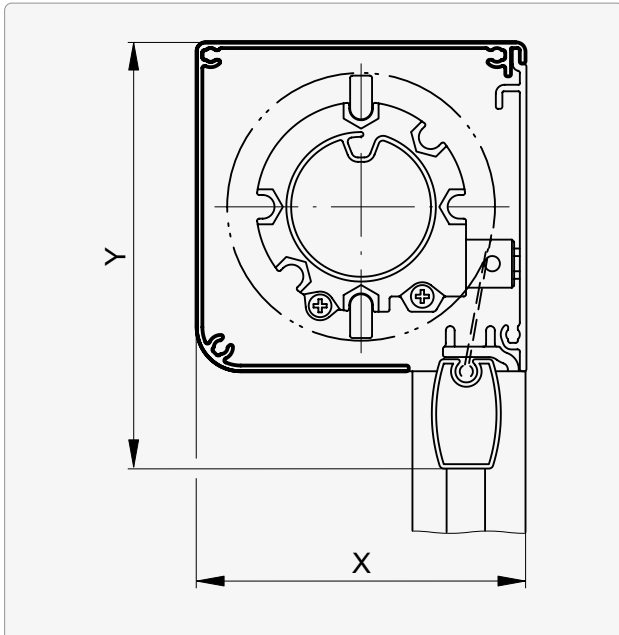
¹ Collection Screen Satiné 5500

² Collection Soltis 86 and 92

³ Collection Soltis B92

Box versions

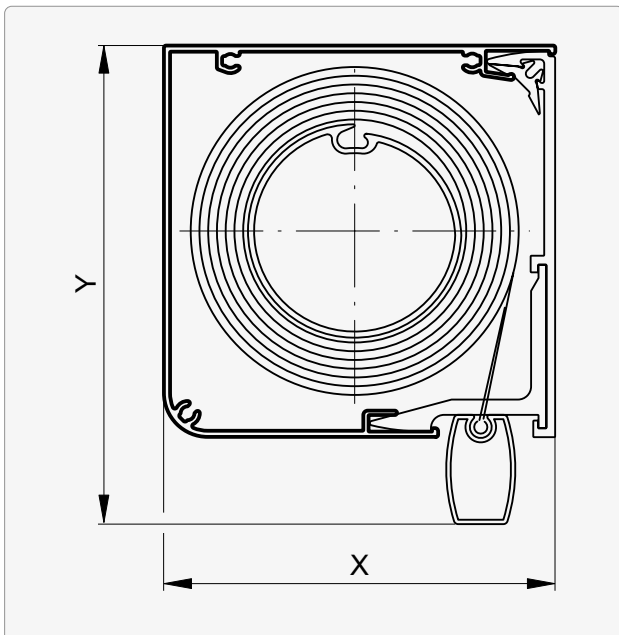
Box 75 Fix



Version	X	Y
Box 75 Fix	75	97

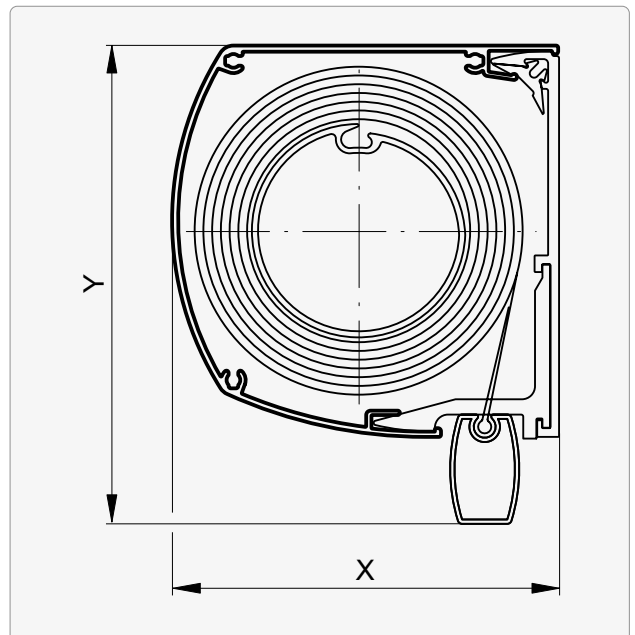
The Soloscreen® III Fix version is fitted without a separate box fastening. The box is fastened directly on the guides.

Box square



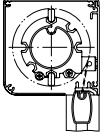
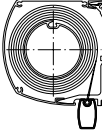

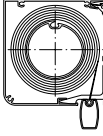
Version	X	Y
Box 90	90	110

Box Design



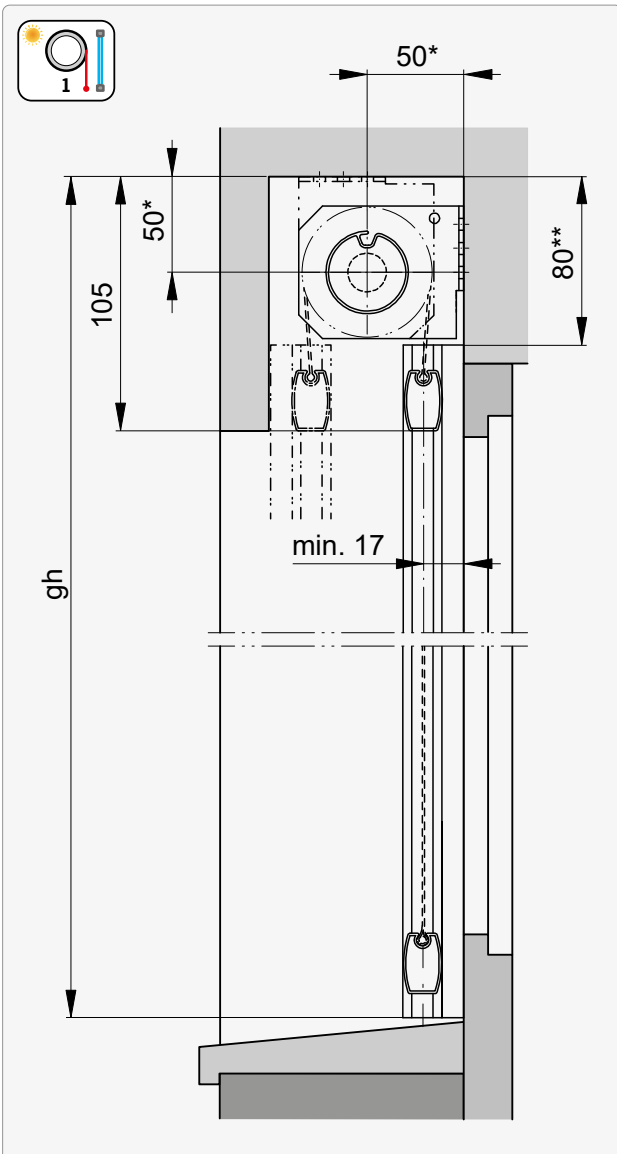
Version	X	Y
Box Design 65	68.5	85
Box Design 75	77.2	97
Box Design 90	89	110

Style overview

Box Shape				
Dimension	75 mm Fix	65 mm	75 mm	90 mm
Operation				
Crank drive	●	●	●	●
Motor drive	●	-	●	●
Box with plug coupling				
behind box	-	-	-	●
Guide type				
Guide rails	●	●	●	●
Guide cable	-	●	●	●

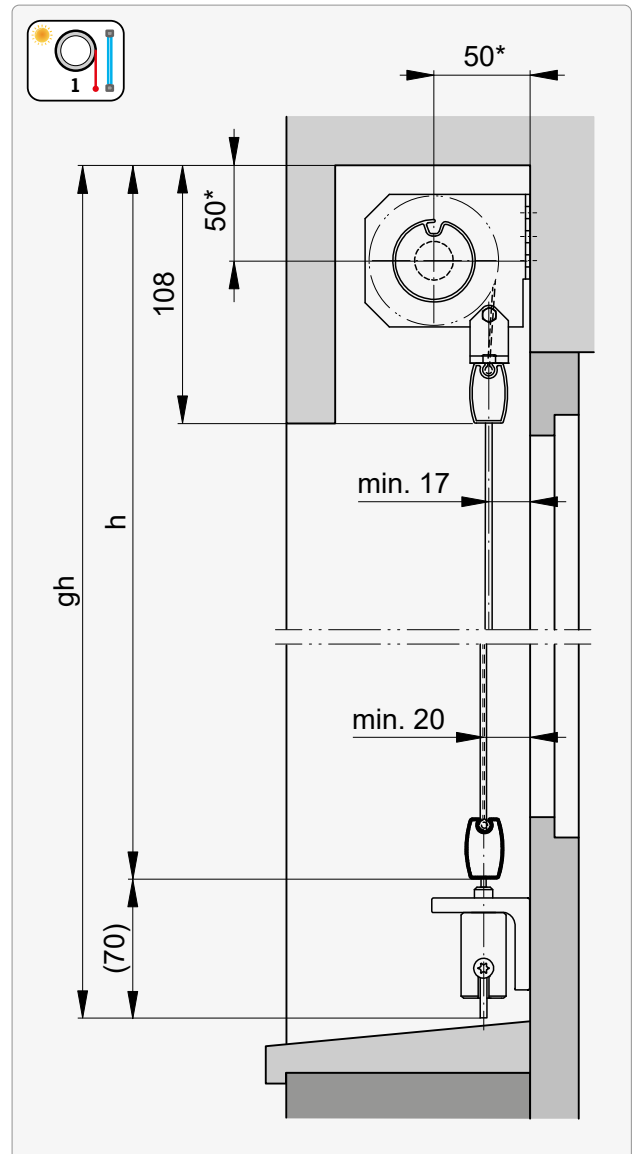
Built-in system

Vertical section: Guide rail conventional



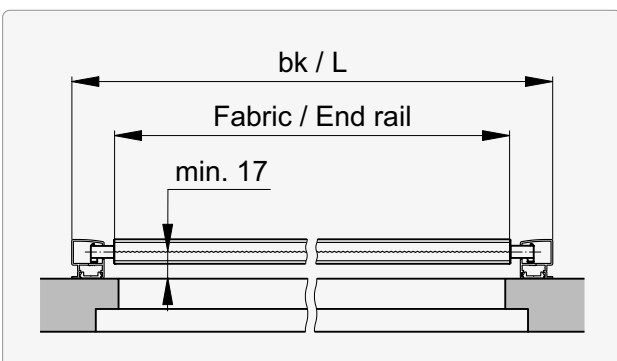
* Crank drive: 40 ** Crank drive: 70

Vertical section: Guide cable

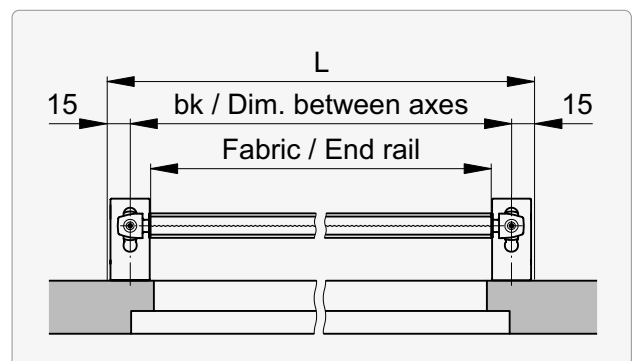


* Crank drive: 40

Horizontal section: Guide rail conventional

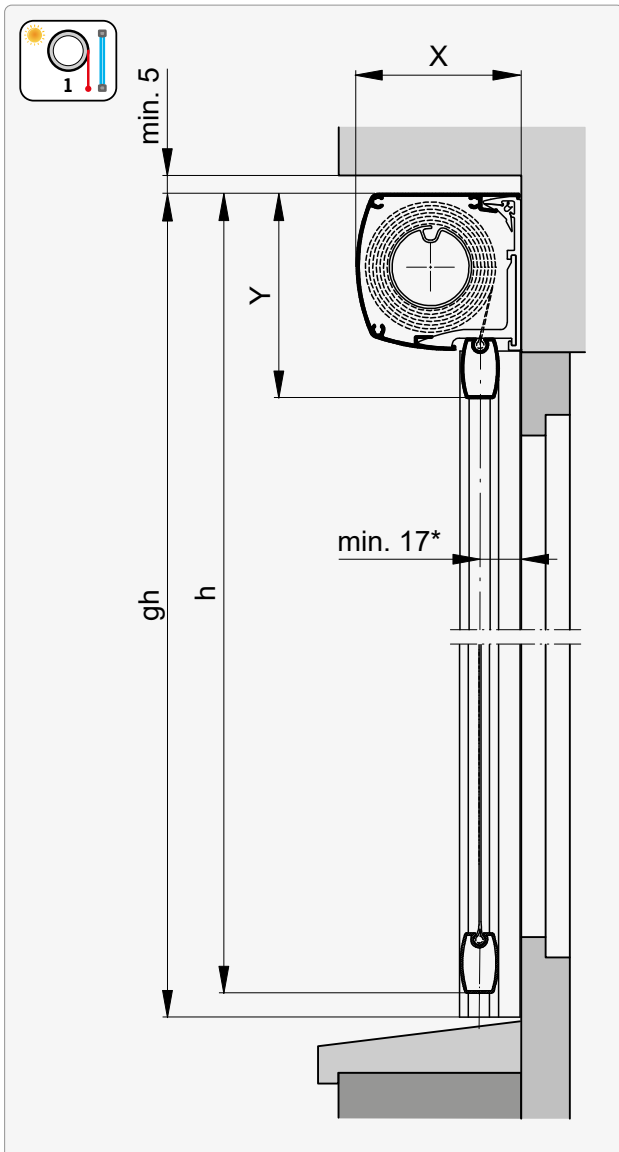


Horizontal section: Guide cable



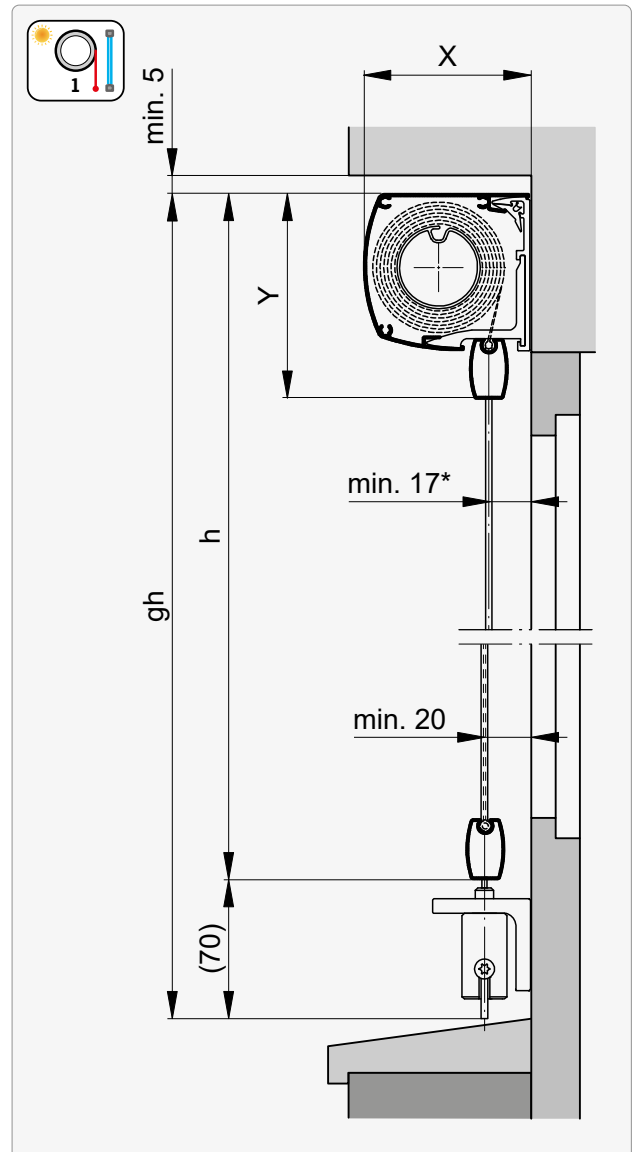
Installation system with box

Vertical section: Guide rail



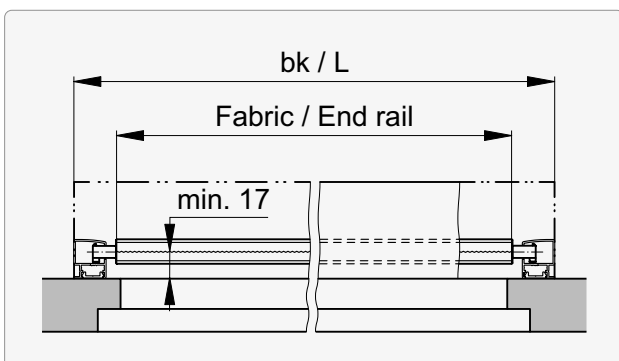
* with profile Hirschmann: min. 42

Vertical section: Guide cable

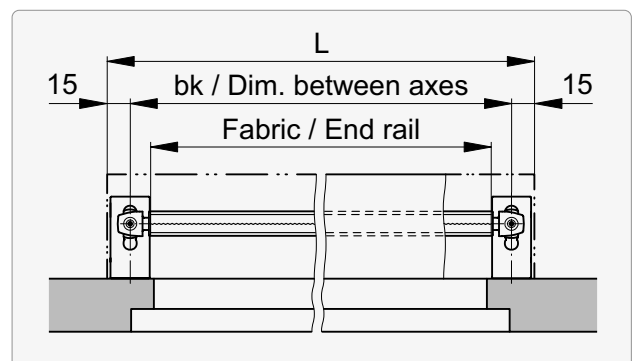


* with profile Hirschmann: min. 42

Horizontal section: Guide rail

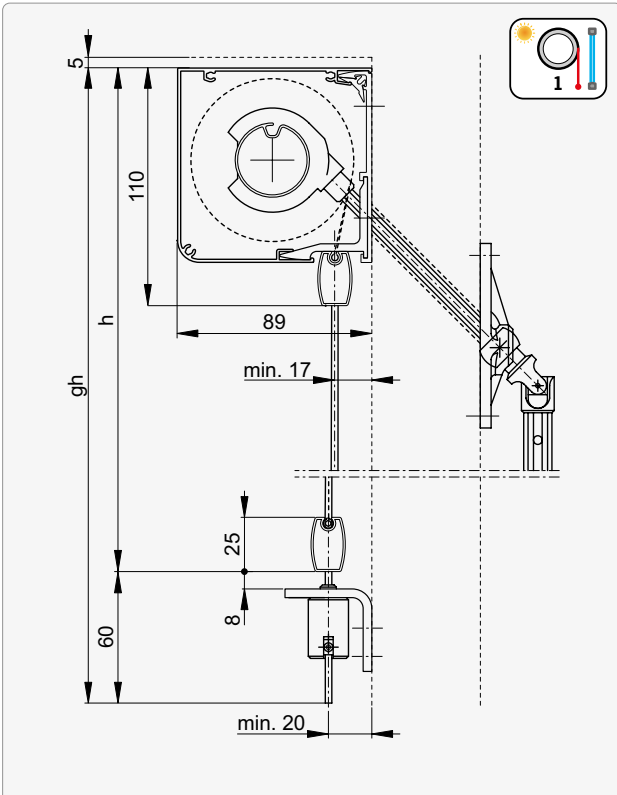


Horizontal section: Guide cable

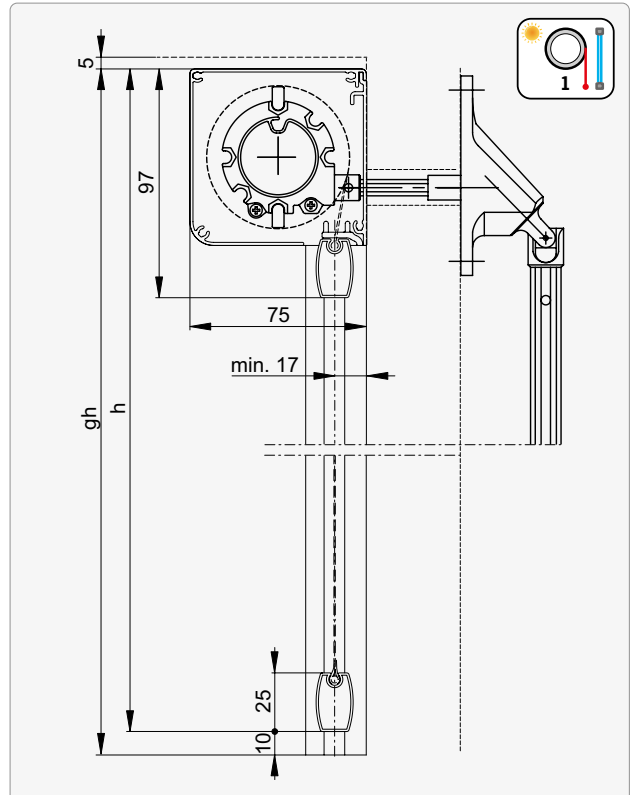


►► Installation system with box

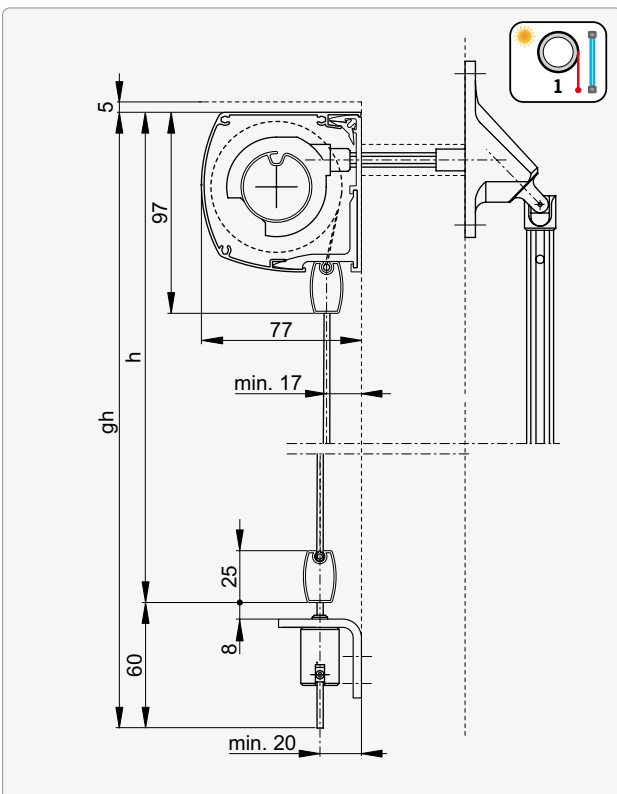
Vertical section: Box square 90



Vertical section: Box square 75



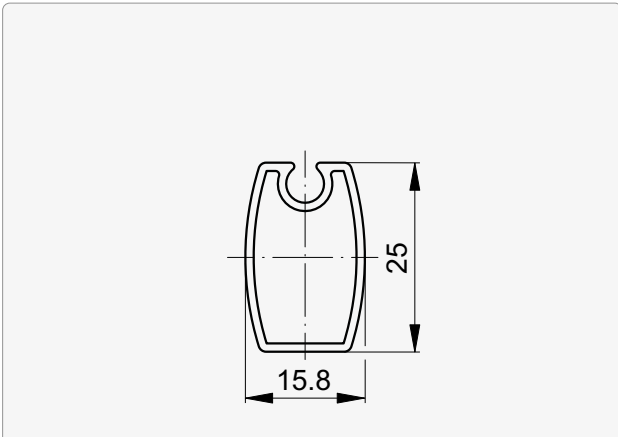
Vertical section: Box Design 75



Phase-out

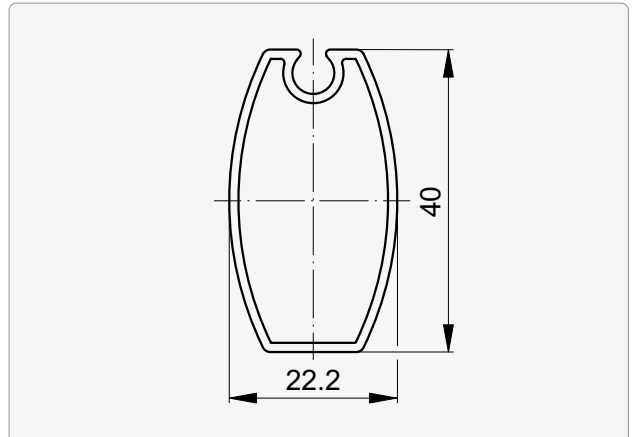
Bottom rails

Type 25



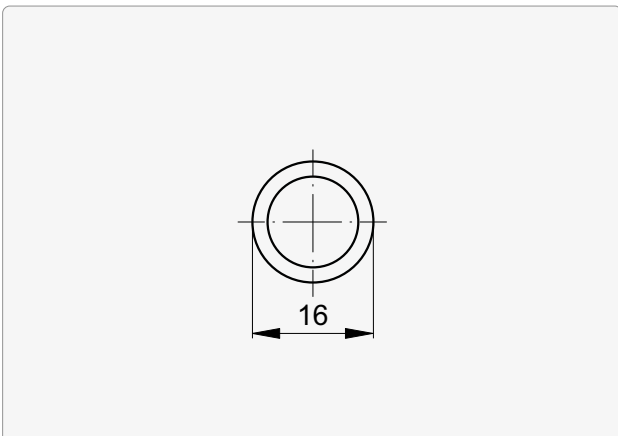
i $L \leq 2400$.

Type 40



i $L > 2400$

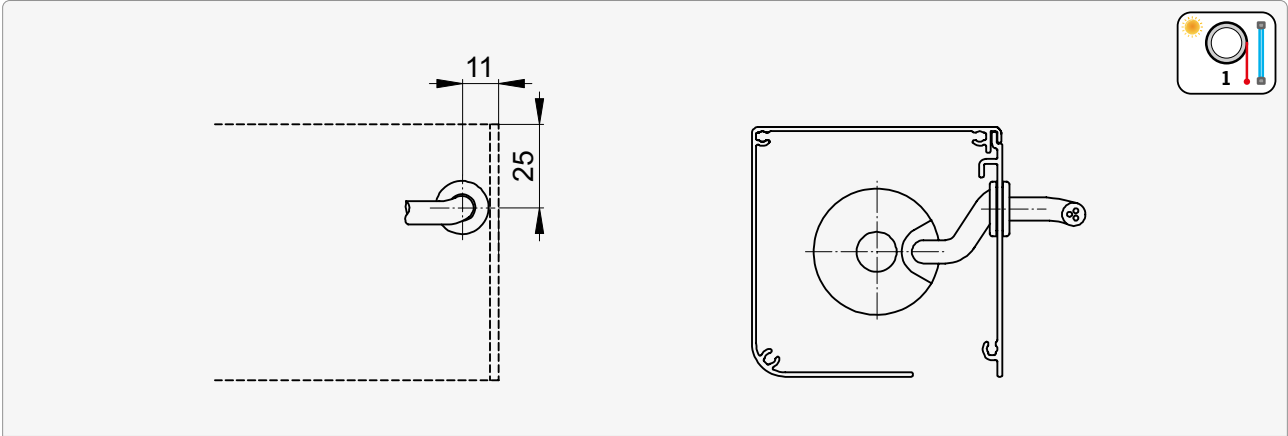
Fix



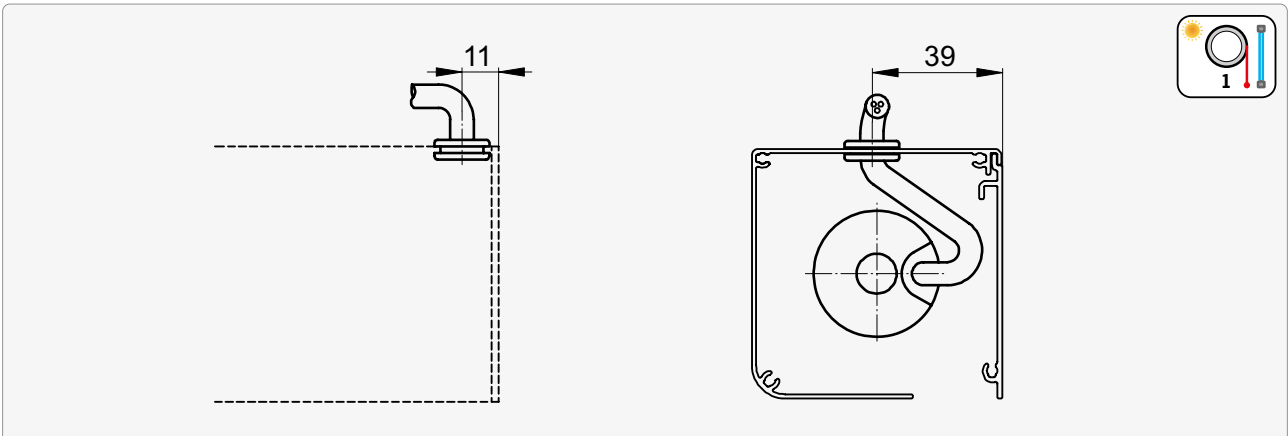
Motor cable outlet

Soloscreen® III Box 75 Fix

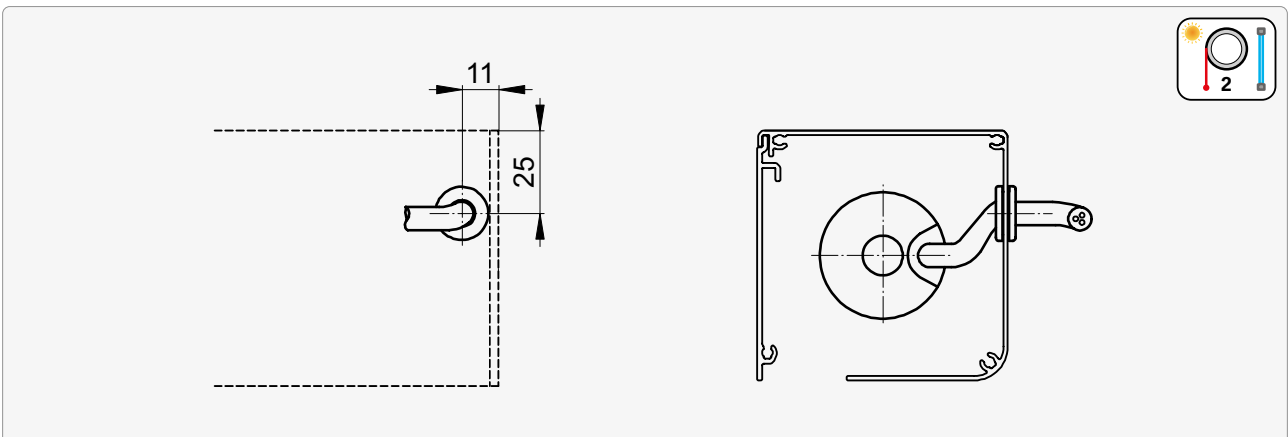
Type 6



Type 8



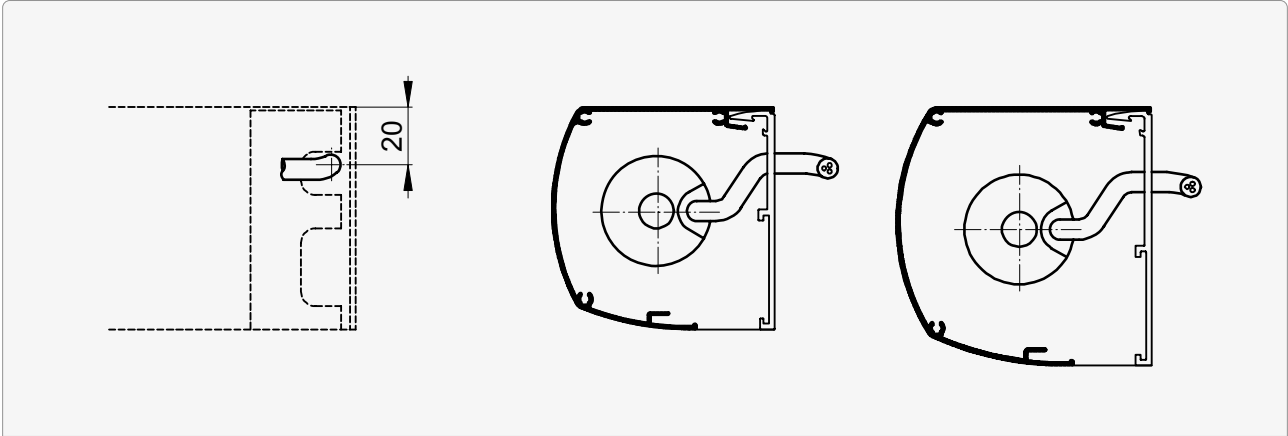
Type 6



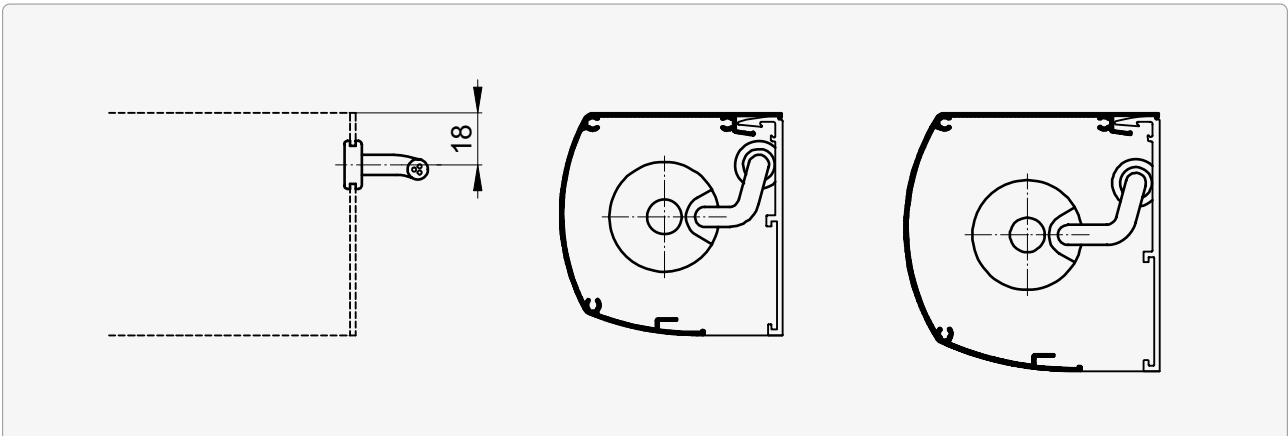
▶▶ Motor cable outlet

Soloscreen® III Box 75 | Soloscreen® III Box 90

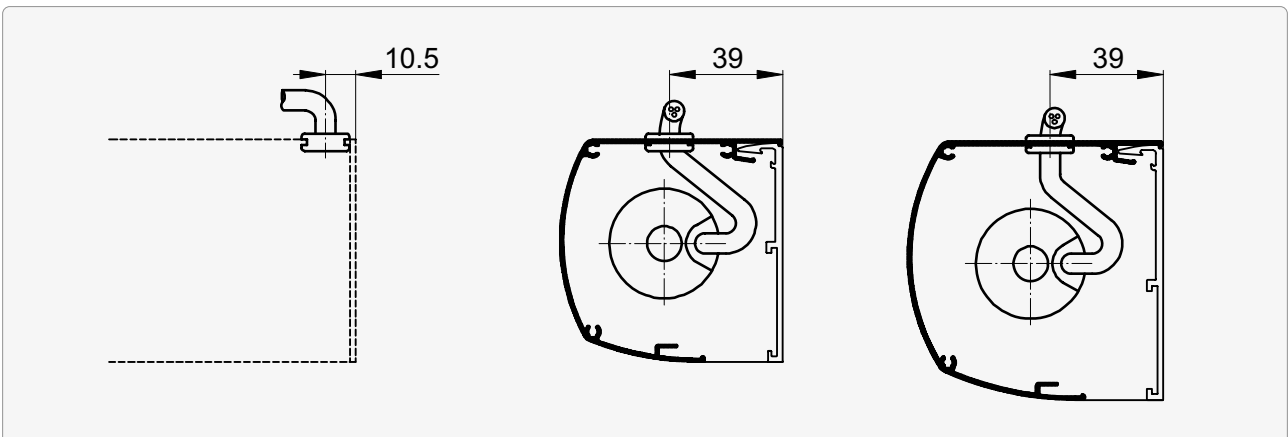
Type 6



Type 7

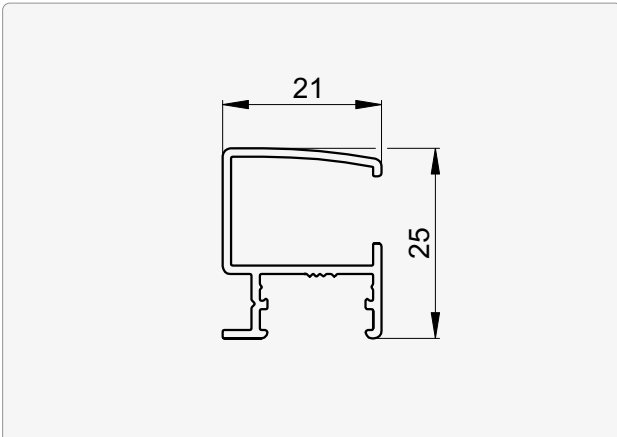


Type 8

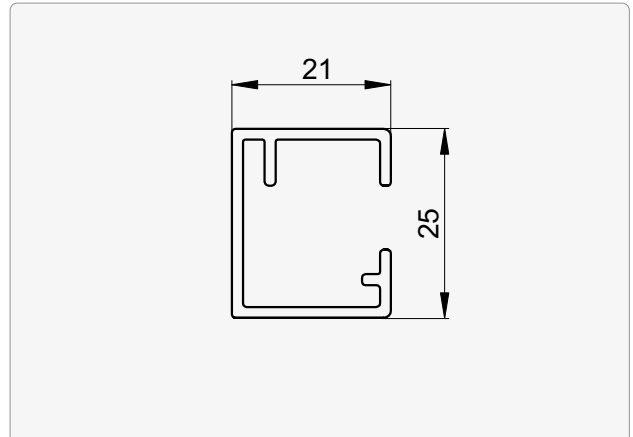


Guide rails

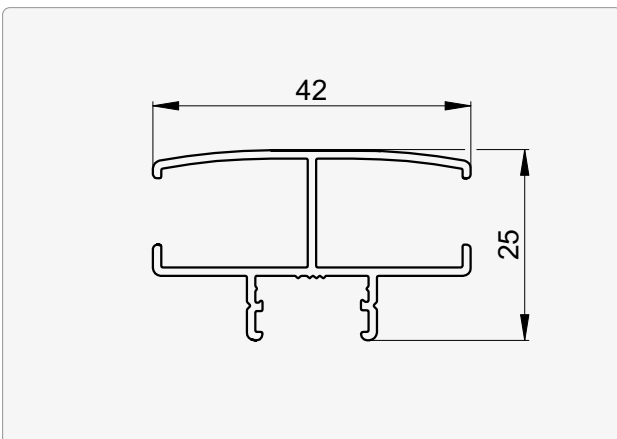
Single rail



Box Fix

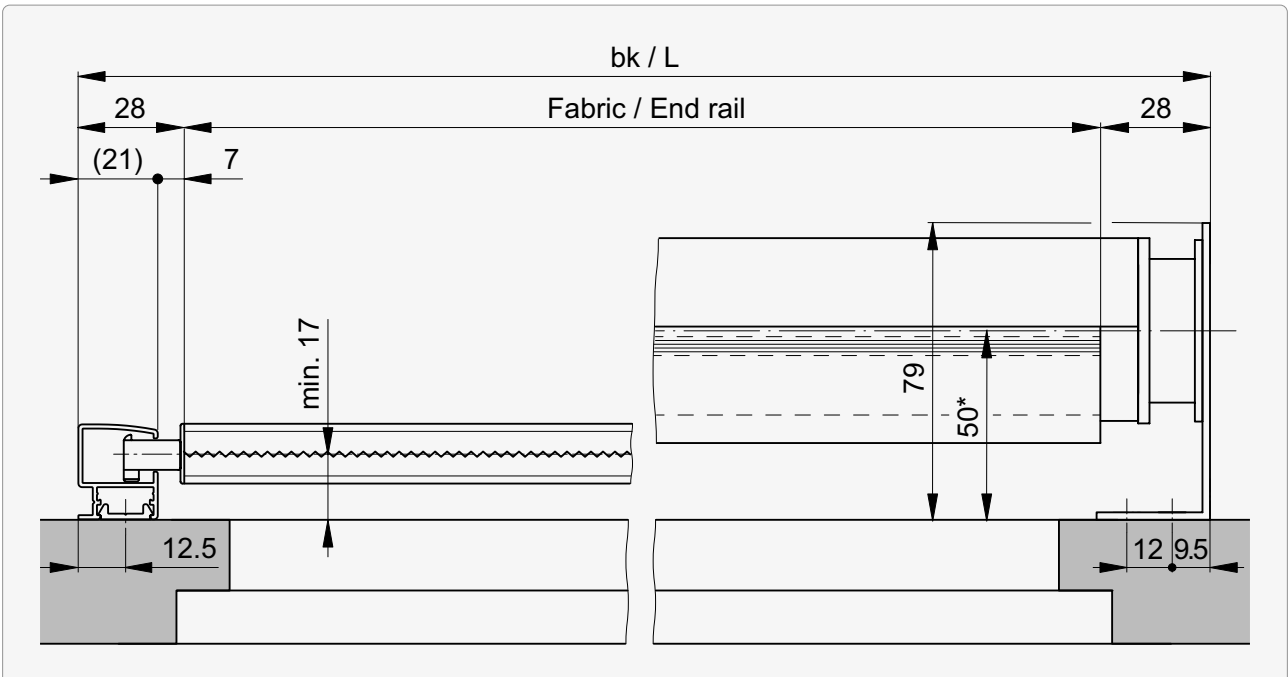


Double rail



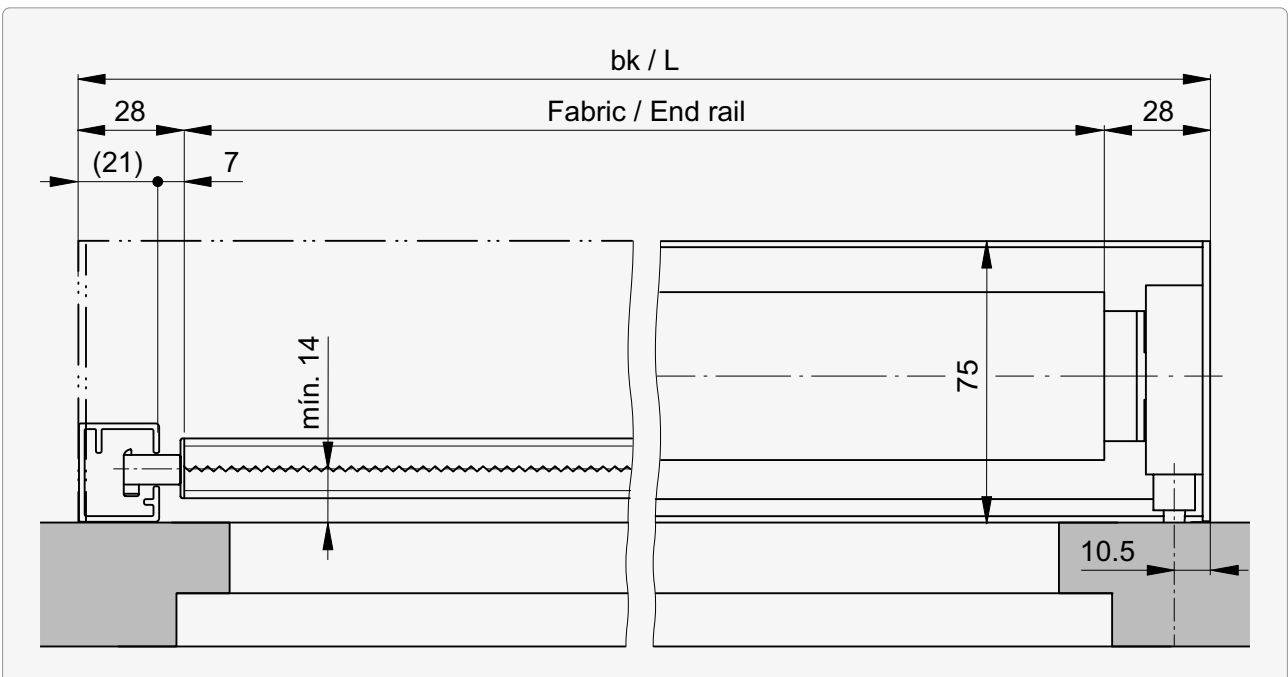
Sections | Details

Horizontal section: Guide rail conventional



* Crank drive: 40

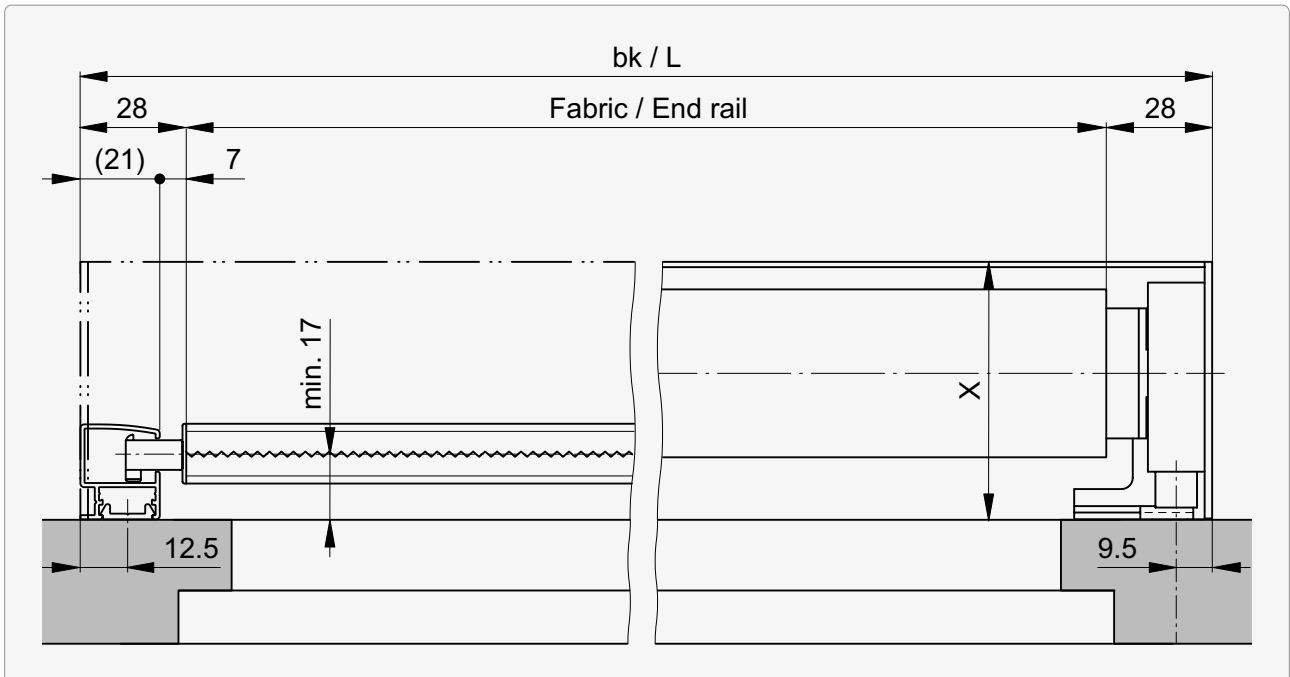
Horizontal section: Box 75 Fix



►► Sections | Details

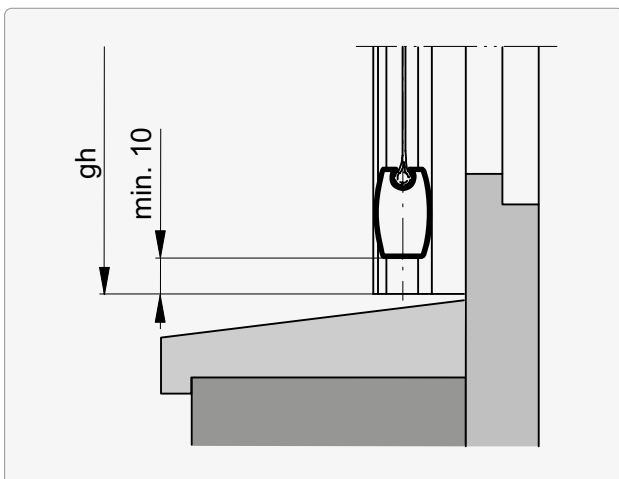
Horizontal section: Box square, Box Design

Box 75 Fix



➔ Value for X 251

Detail at bottom



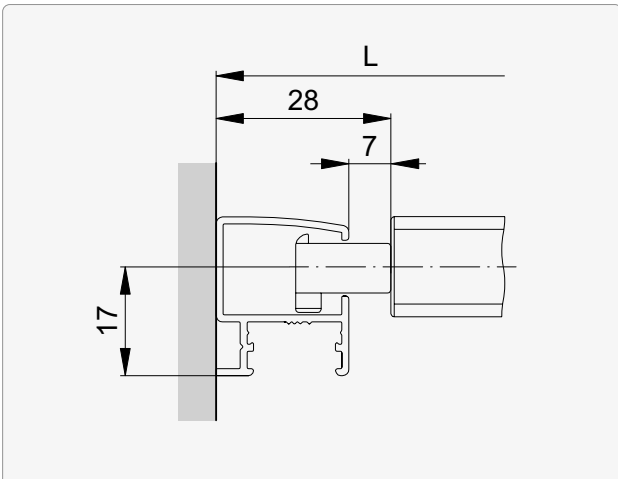
Guide rail fastenings (principle)

Overview

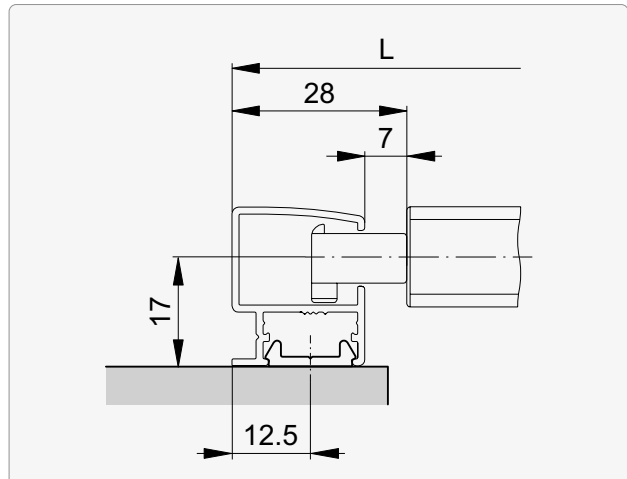
Type											
A	B	Bd	C	Cd	E	F	G	H	I	T	V
●	●	–	–	–	–	●	●	●	○ ¹	–	–

- applicable without restrictions
- applicable with restrictions
- ¹ not for **Box Fix**

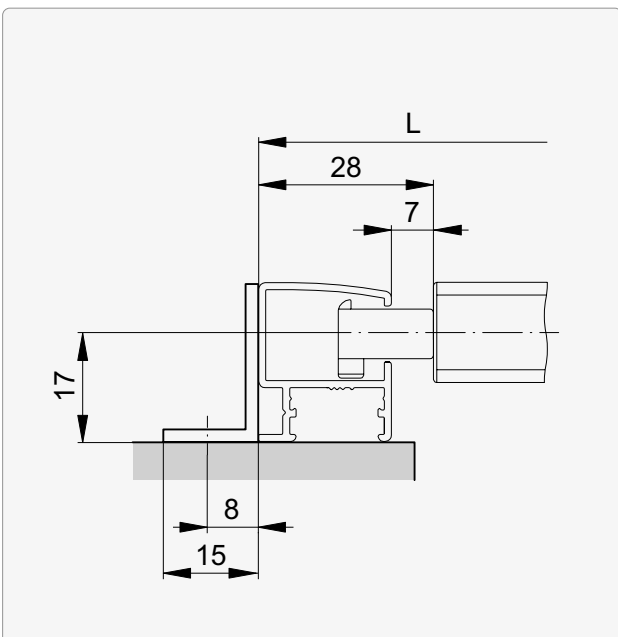
A Soffit installation



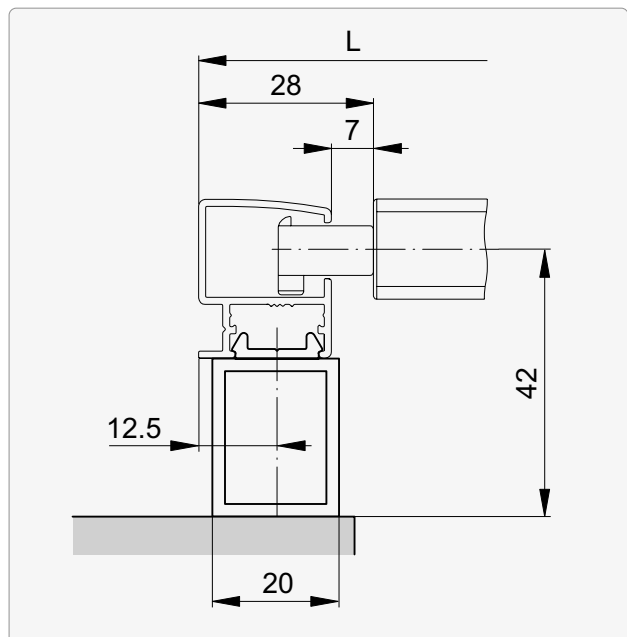
F Installation on facade



B Installation on bracket

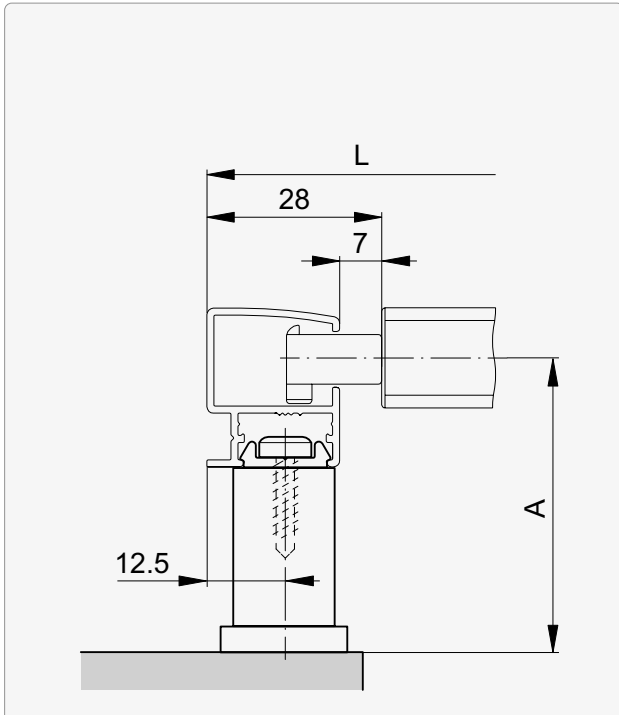


G Installation on pipe profile

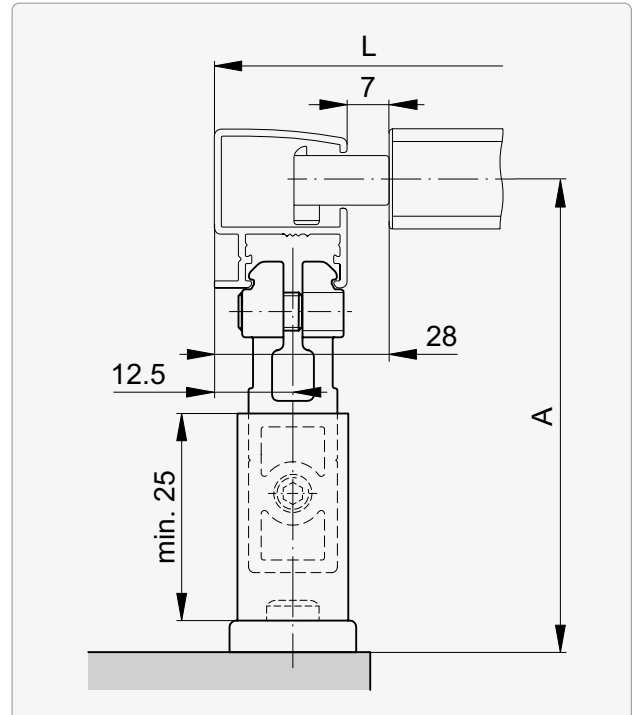


►► Guide rail fastenings (principle)

H Installation on console

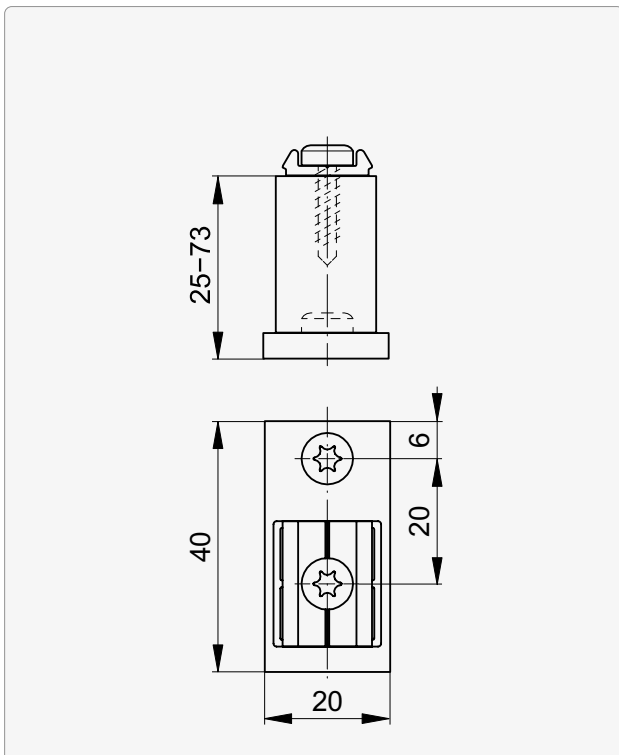


I Installation on adjustable console



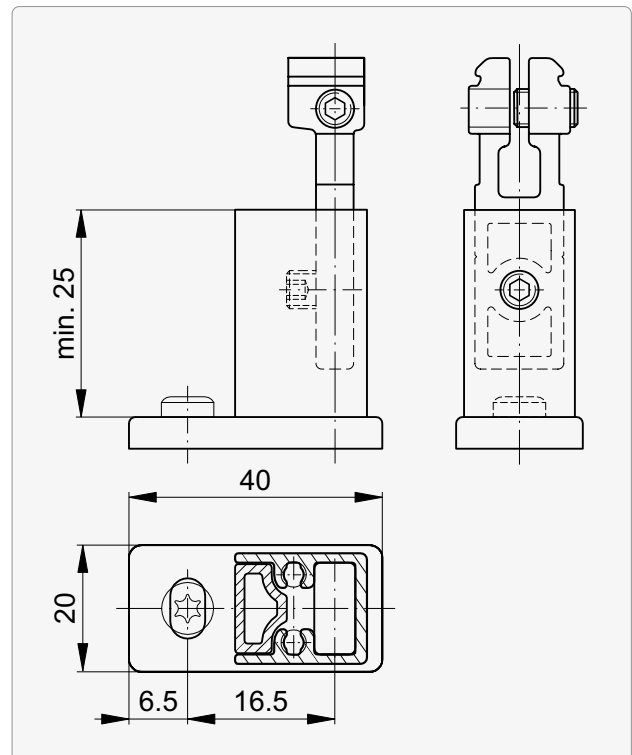
Not for Box Fix

Console for type H



A
42 ... 90

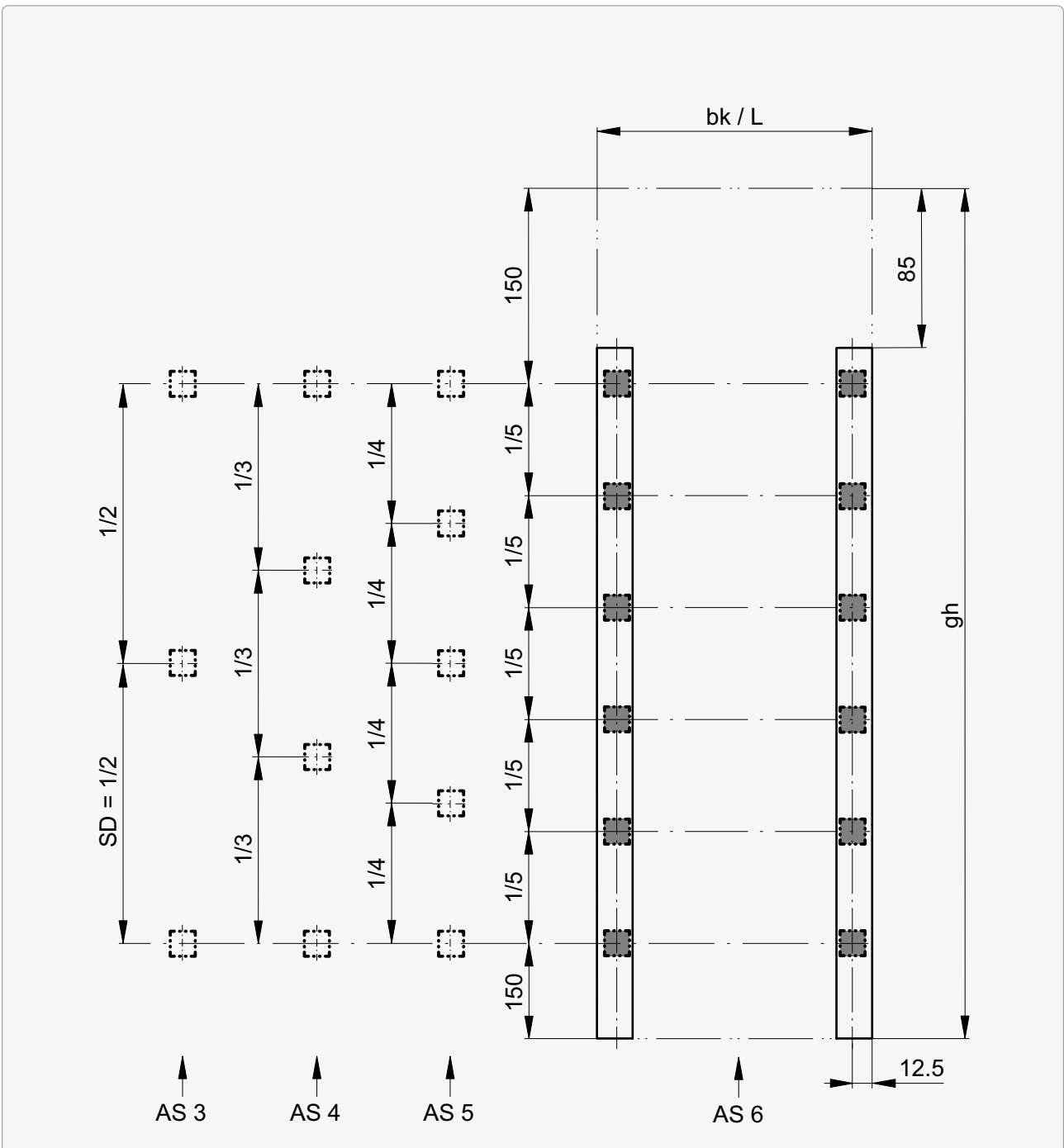
Console for type I



A
57 ... 90

Fastening points Soloscreen® III Fix

gh	AS
≤ 877	3
878... 1477	4
1478... 2077	5
> 2077	6



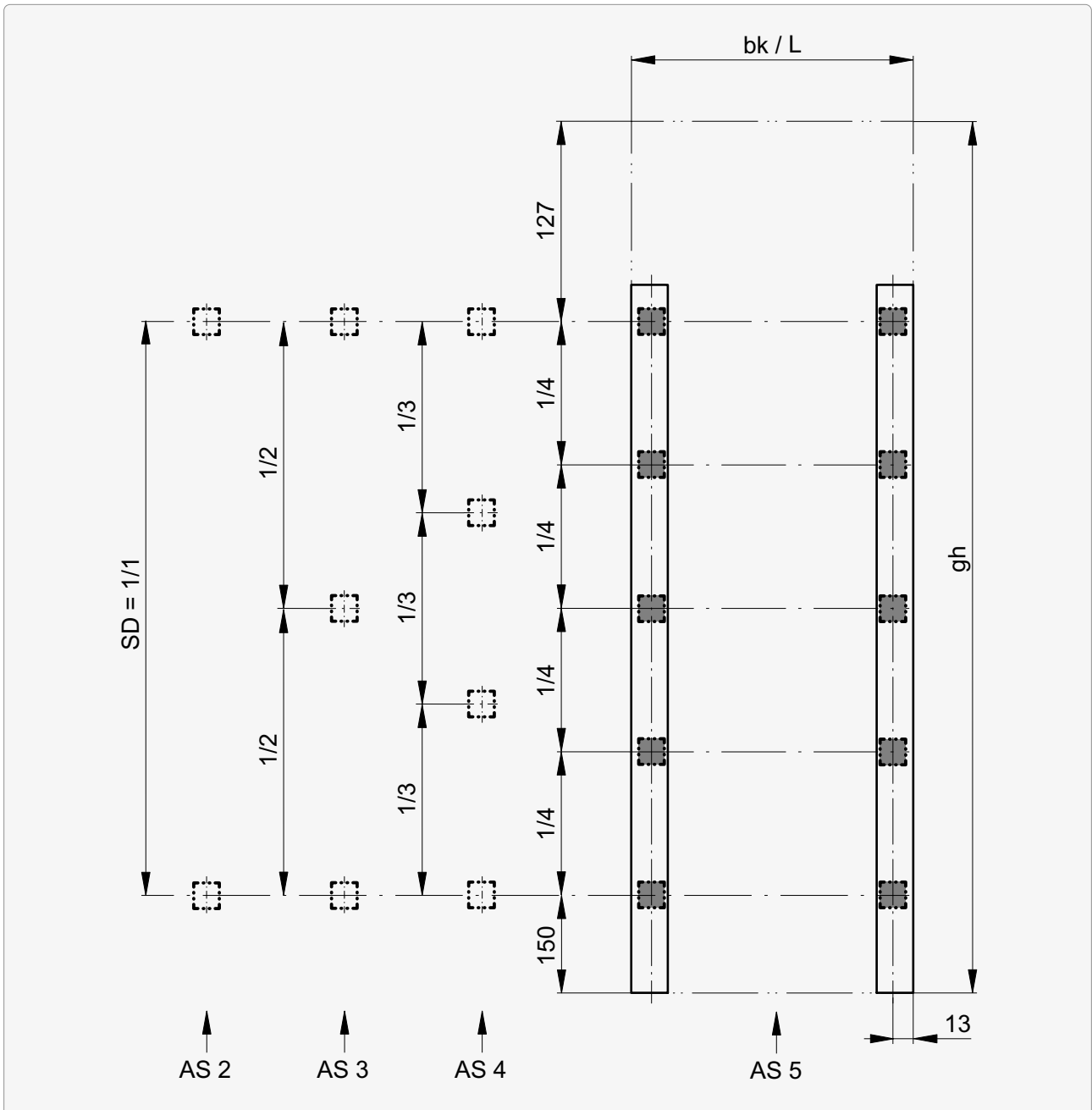
AS Number of holes

SD Spacing of holes

Fastening points Soloscreen® III Box

Box Fix

gh	AS
≤ 865	2
866... 1465	3
1466... 2065	4
> 2065	5



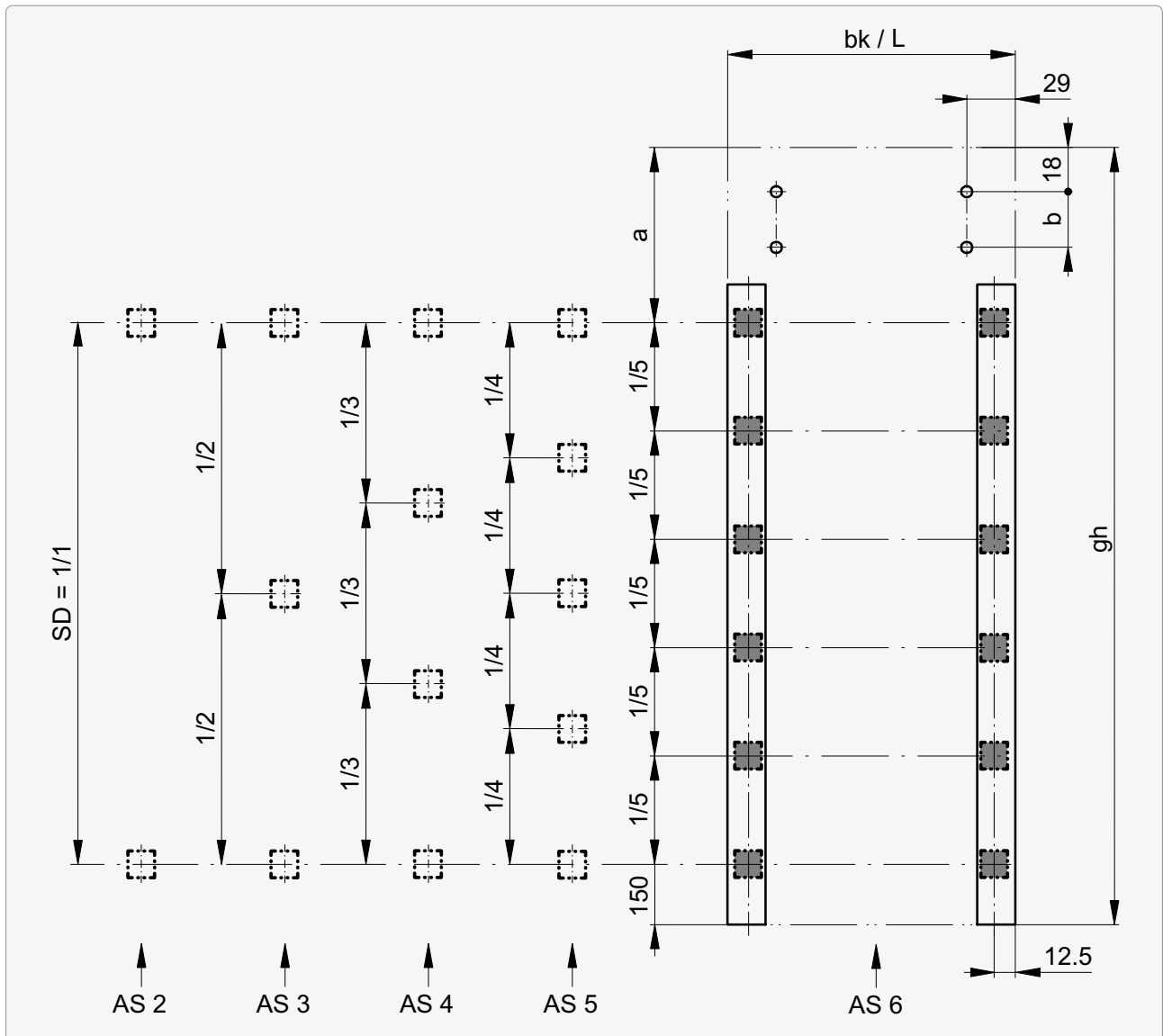
AS Number of holes

SD Spacing of holes

►► Fastening points Soloscreen® III Box

Box 65 | Box 75 | Box 90

Version	gh	AS	a	b	Version	gh	AS	a	b
Box 65	≤ 865	2	115	27	Box 75	≤ 877	2	127	39
	866... 1465	3				878... 1477	3		
	1466... 2065	4				1478... 2077	4		
	>2065	5				>2078	5		
Version	gh	AS	a	b					
Box 95	≤ 890	2	140	51.5					
	891... 1490	3							
	1491... 2090	4							
	2091... 2690	5							
	>2691	6							

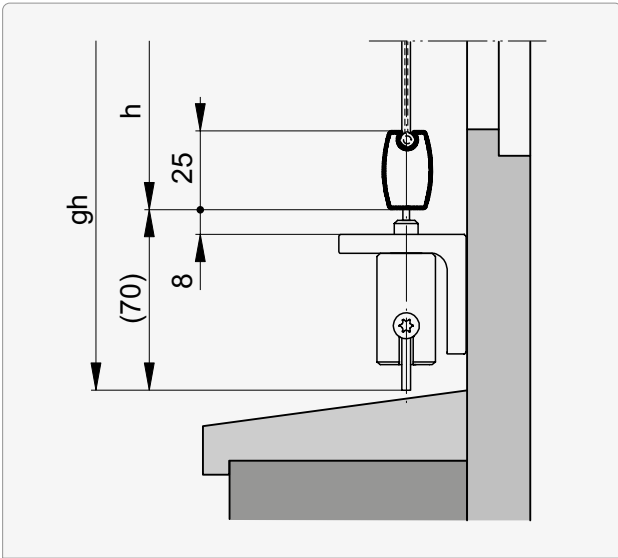


AS Number of holes

SD Spacing of holes

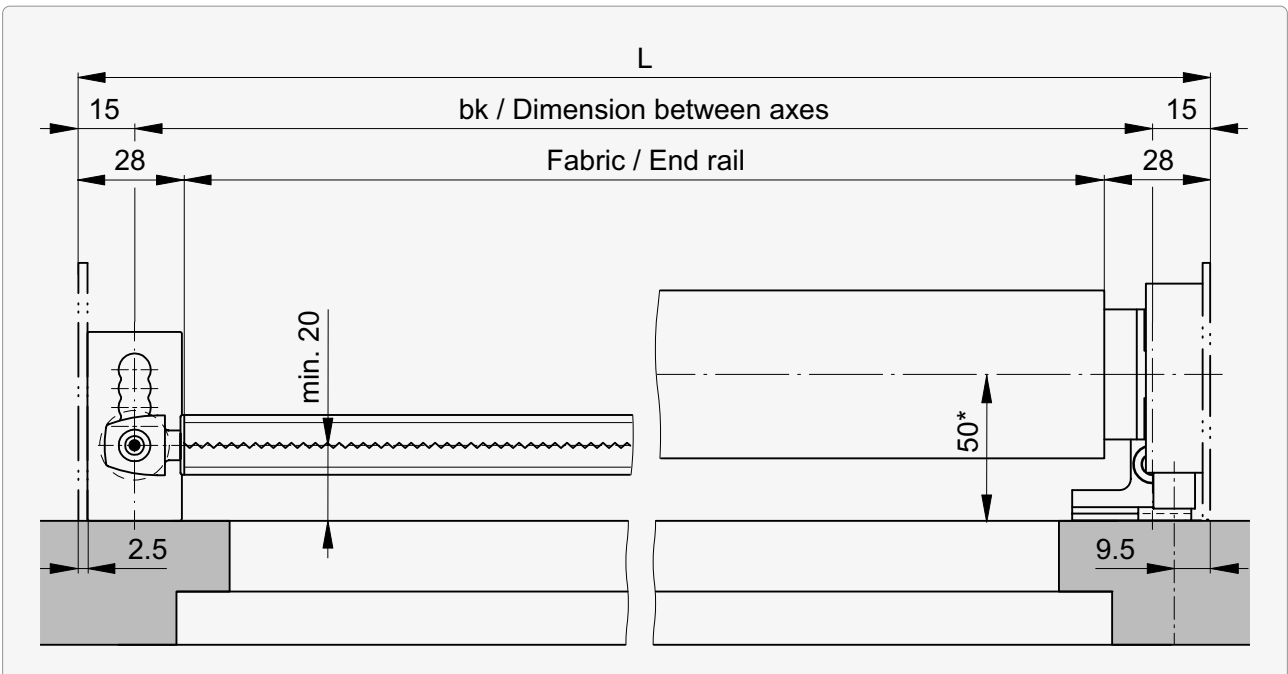
Guide cable

Soffit- / facade mounting



Sections | Details

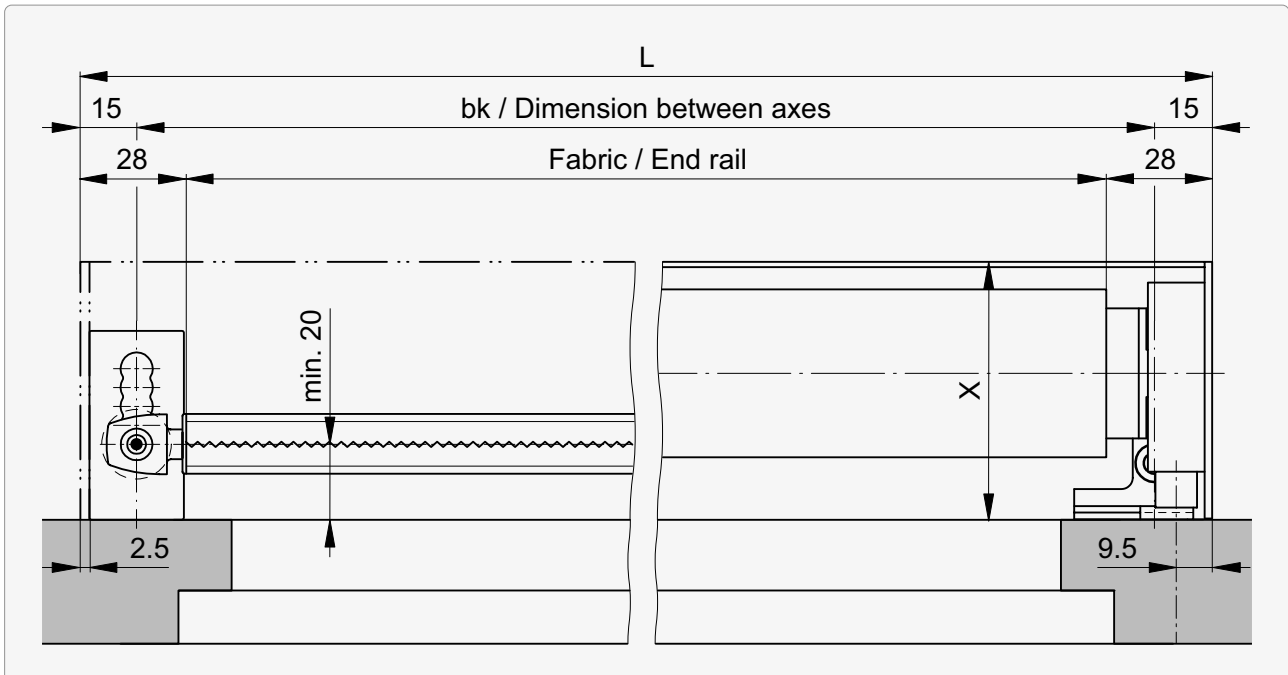
Horizontal section



* Crank drive: 40

►► Sections | Details

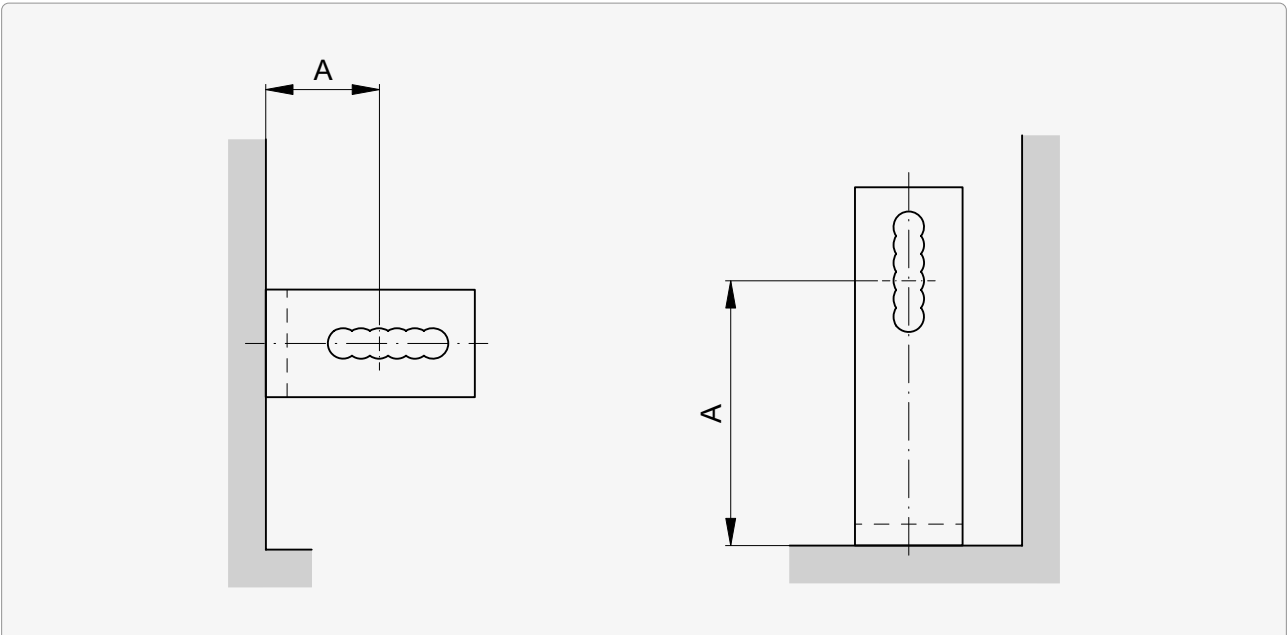
Horizontal section: Box square, Box Design



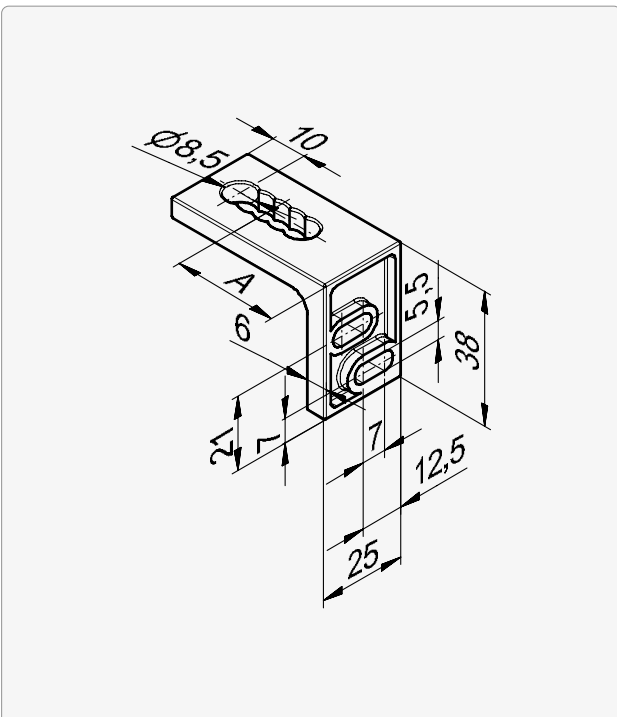
➔ Value for **X** 251

Guide cable fastenings

F Soffit or facade installation

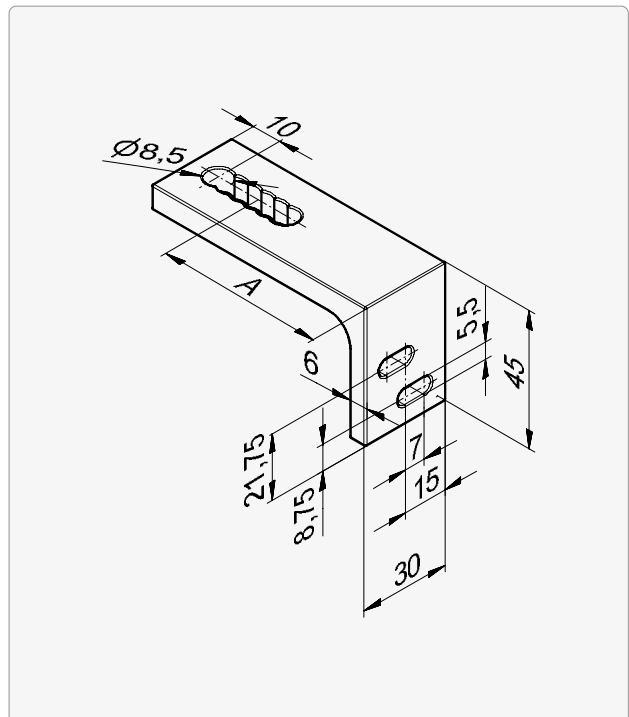


Tensioning bracket 20–40 for type F



A*
20...40

Tensioning bracket 45–70 for type F

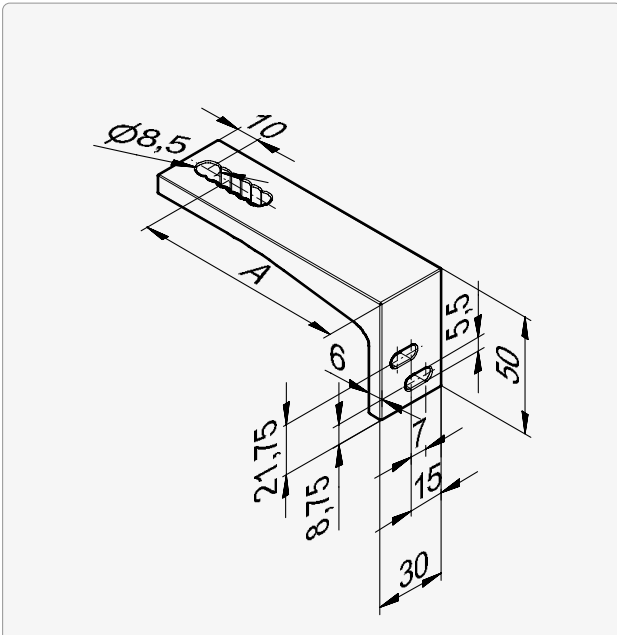


A*
45...70

* in 5 mm steps

►► Guide cable fastenings

Tensioning bracket 75–130 for type F

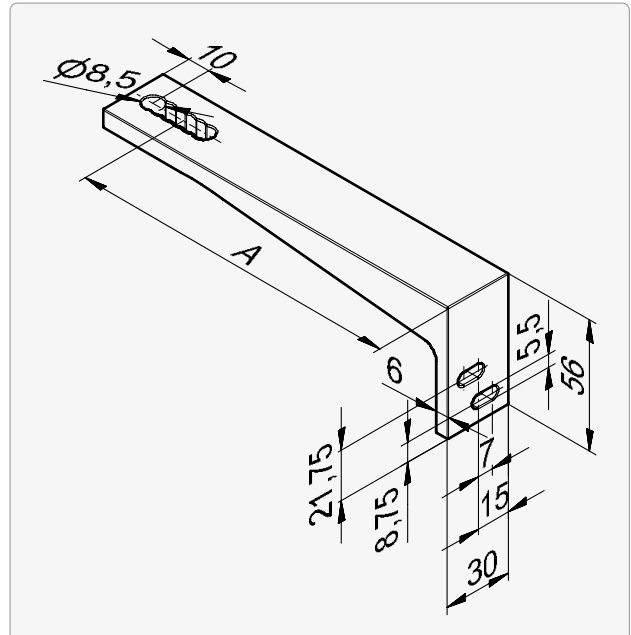


A*

75... 100

105... 130

Tensioning bracket 135–190 for type F



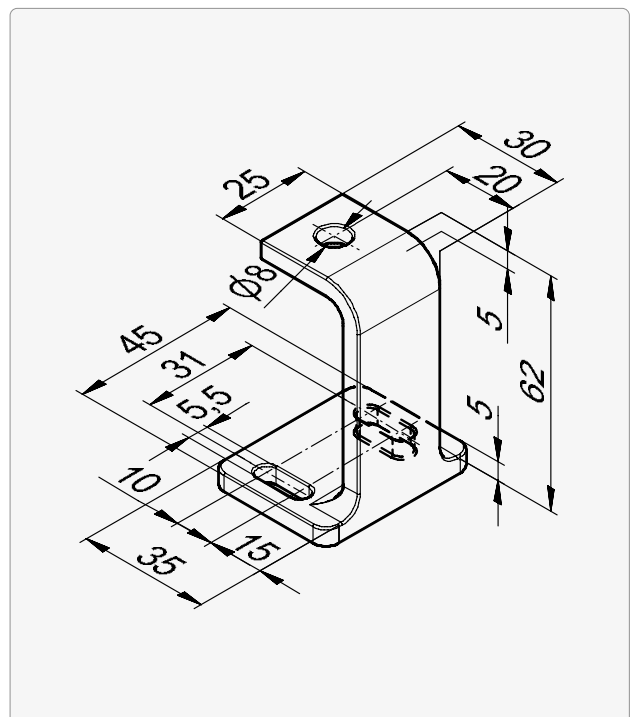
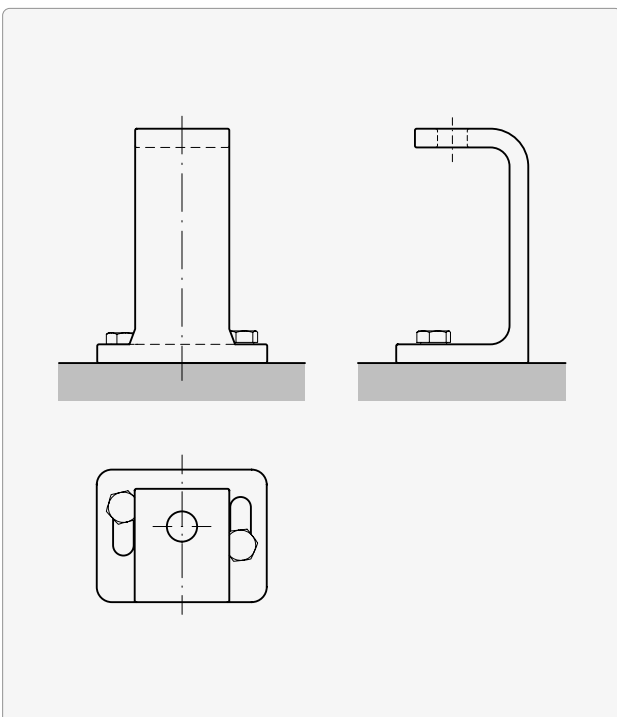
A*

135... 160

165... 190

* in 5 mm steps

S Windowsill installation





Annex

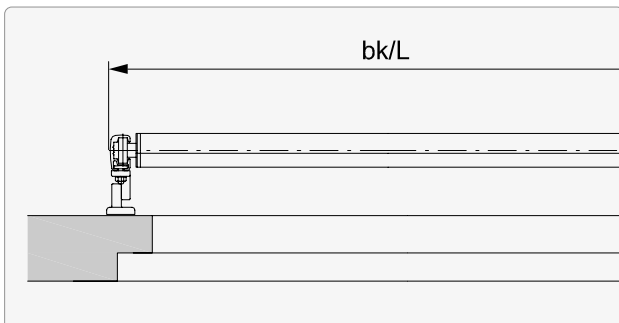
Definitions of dimensions	274
Definition of the sense of rotation of the curtain	281
Installation base	282

Definitions of dimensions

- i Dimensions should always be viewed **from inside to outside**.
- Unspecified dimensions are **defined by the products**.
- Situations designed with **uniform guide profiles**.

bk

For rail guide

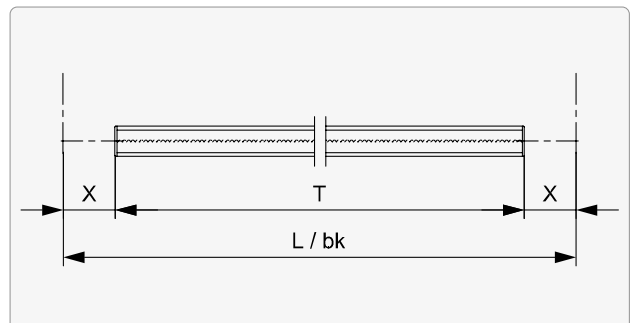


L for Soloscreen® III | Soloroll® II

bk/L Rear edge of guide rails

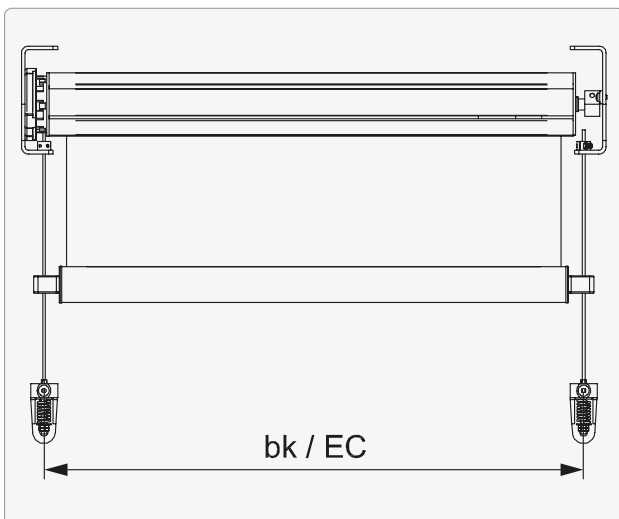
- i Observe **guide rail spacers**.

Without guides | Soloroll® II



Outer edge box or bearing

For cable / slat guide



EC for Soloscreen® III | Soloroll® II

bk/EC Distance to centre of cable/slat

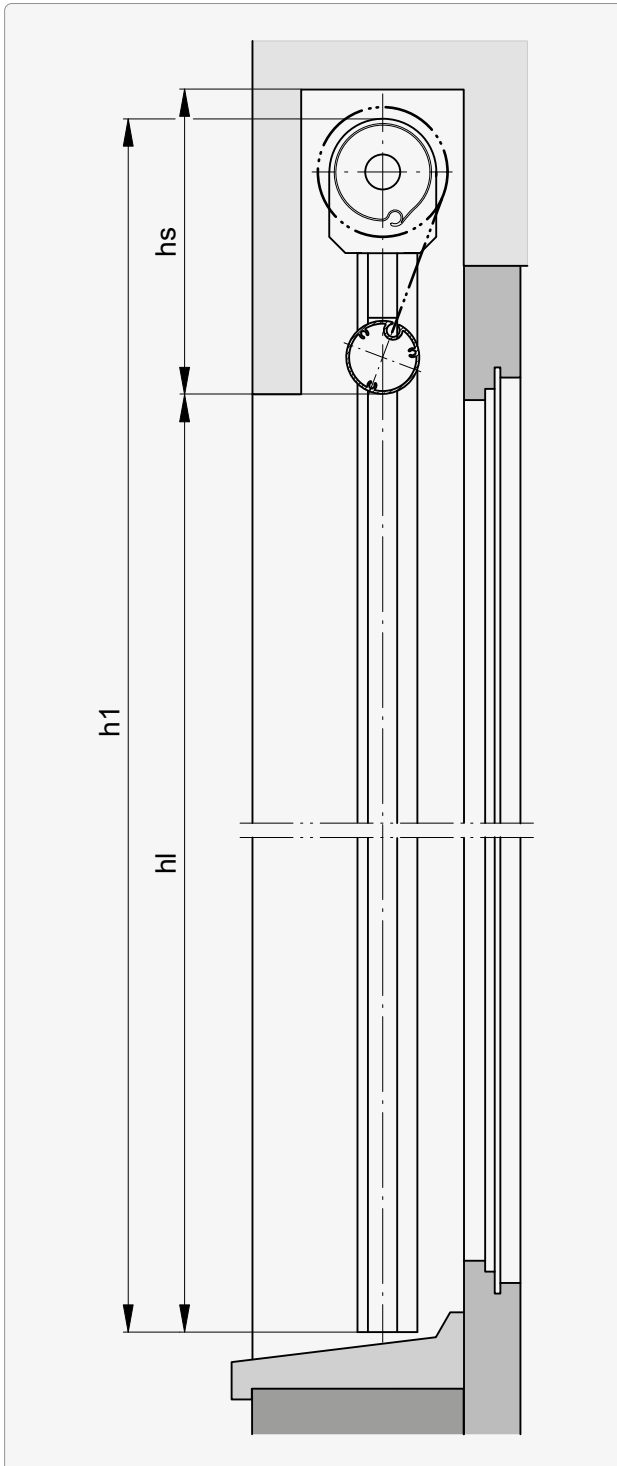
►► Definitions of dimensions

h1, hl, hs

Sigara® | Galleria®

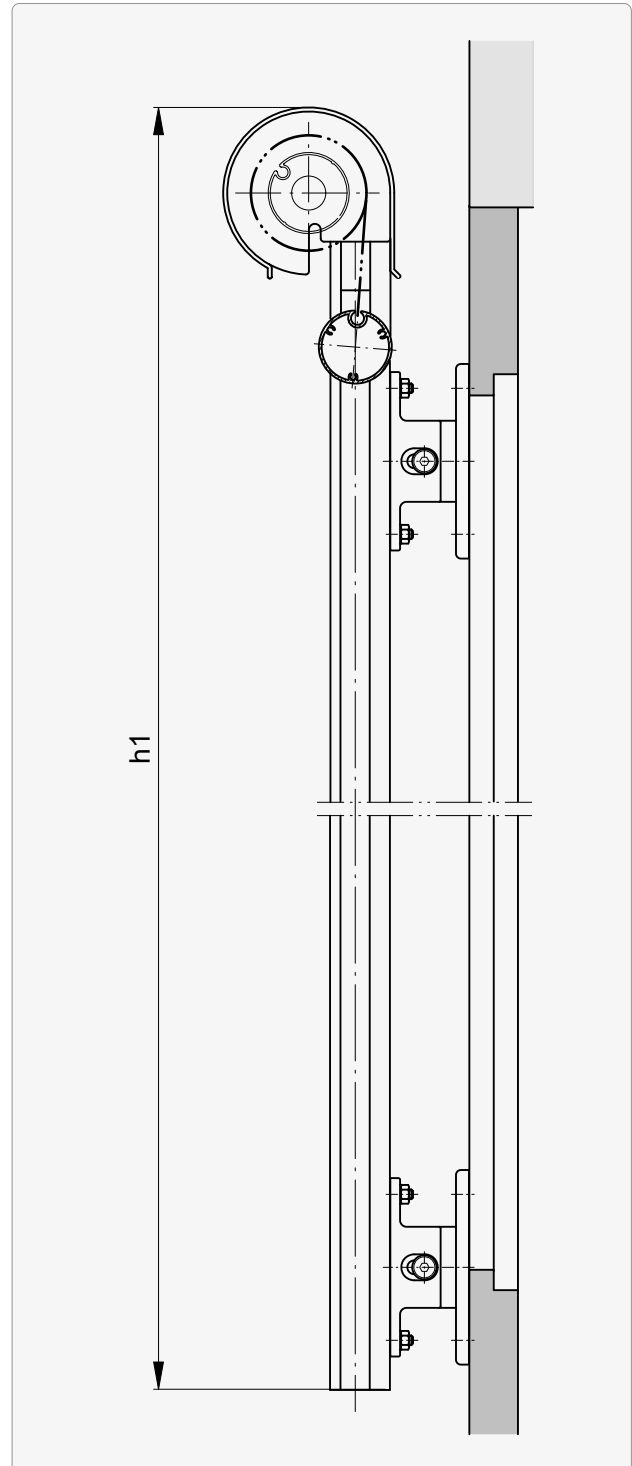
Sigara® Box | Galleria® Box

For rail guide



h1, hl at bottom: Bottom edge of guide rail

For rail guide



h1 at bottom: Bottom edge of guide rail

h1 Overall height

hl Finished clear height

hs Header height

►► **Definitions of dimensions**

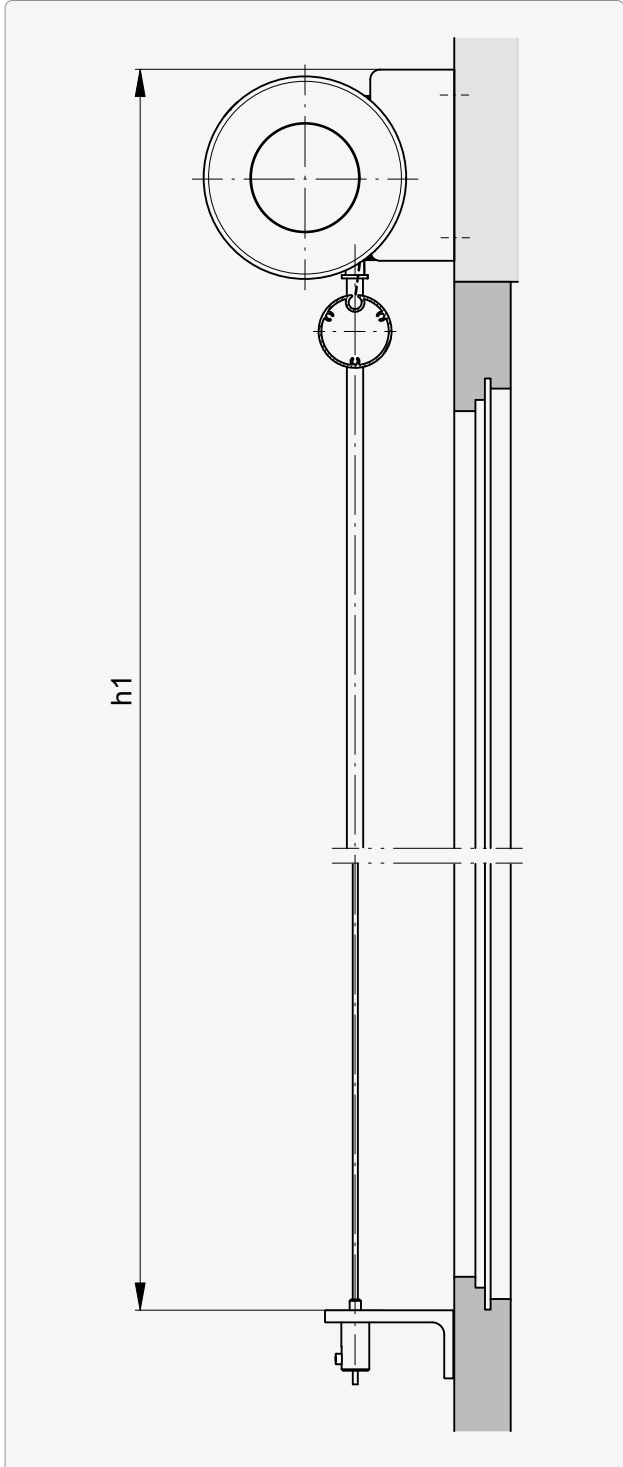
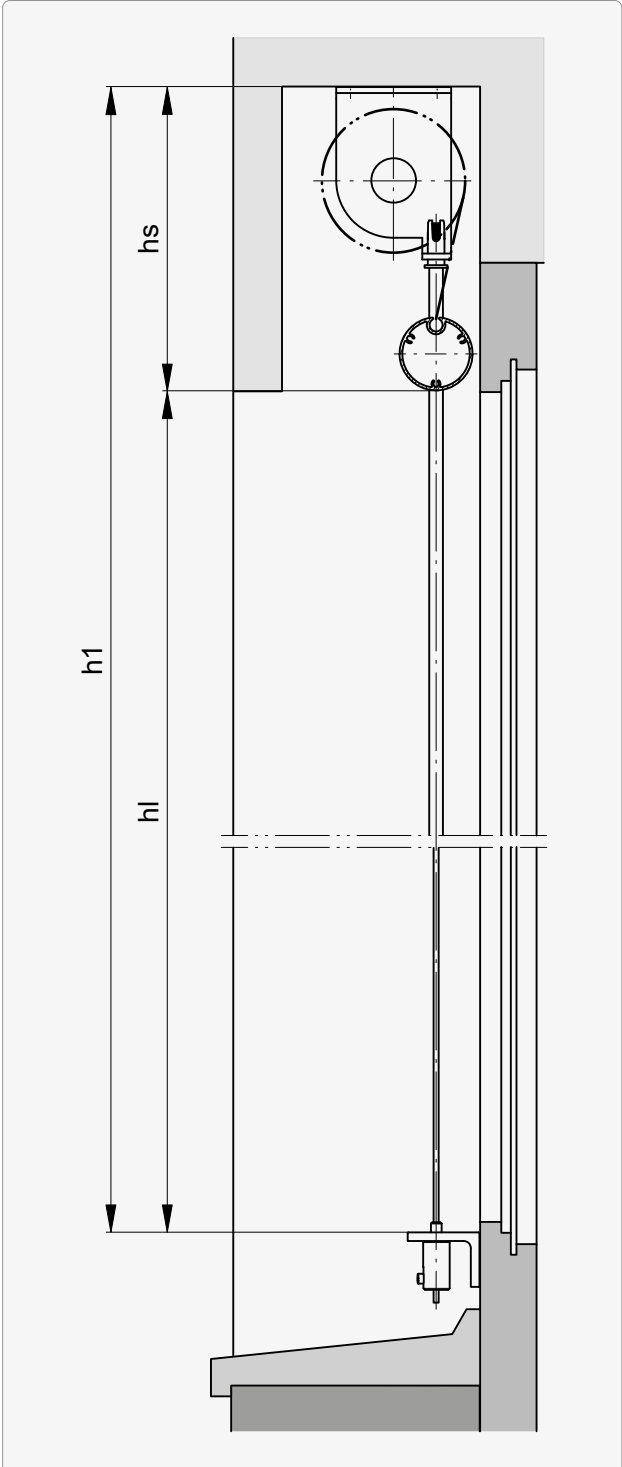
h1, hl, hs

Sigara®

Sigara® Box

For cable / slat guide

For cable / slat guide



h1, hl at bottom: top edge of cable/slat fastening

h1 at bottom: top edge of cable/slat fastening

- h1** Overall height
- hl** Finished clear height

- hs** Header height

►► Definitions of dimensions

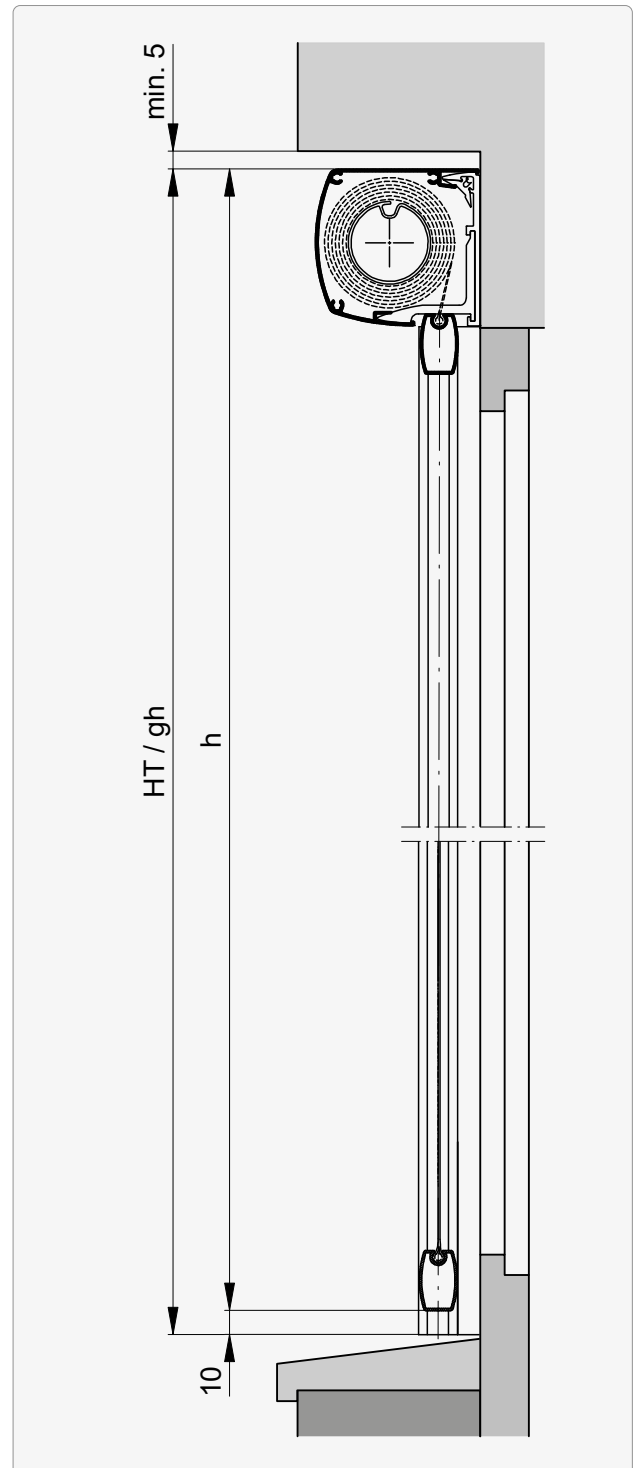
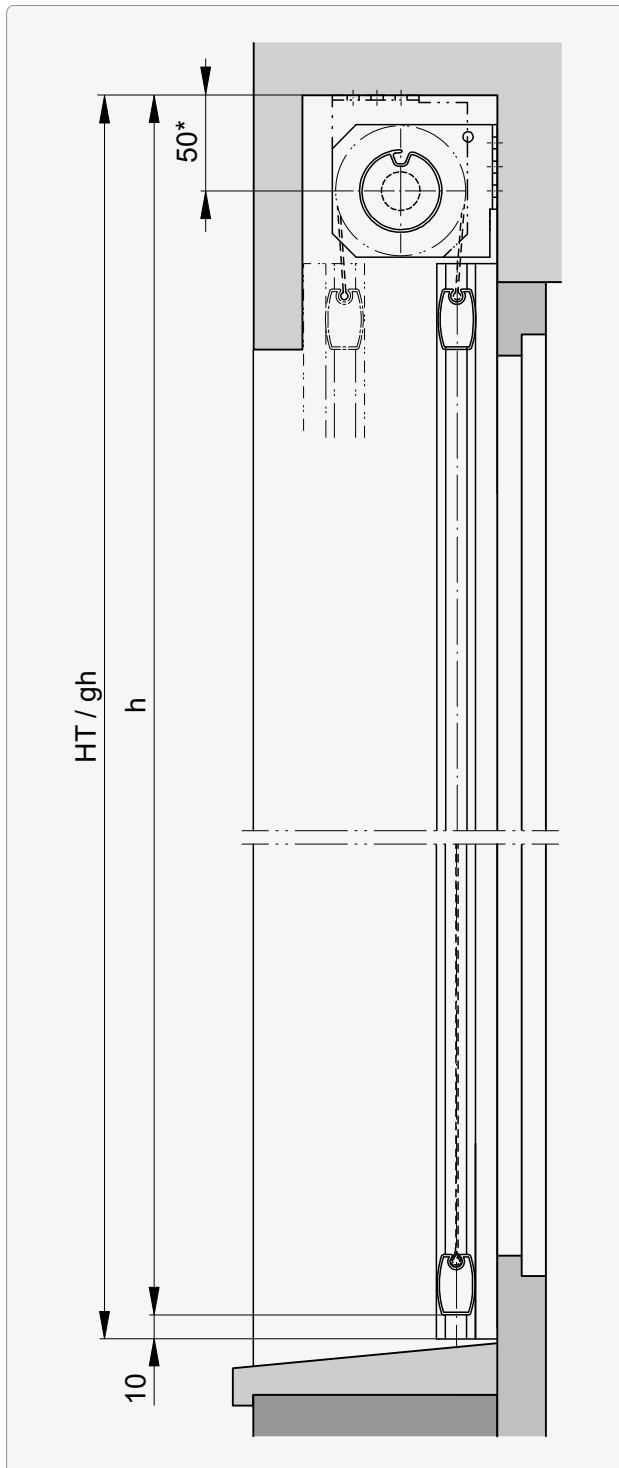
HT/gh, h

Soloscreen® III

Soloscreen® III Box

For rail guide

For rail guide



* Crank drive: **40**

HT/gh Overall height)

►► **Definitions of dimensions**

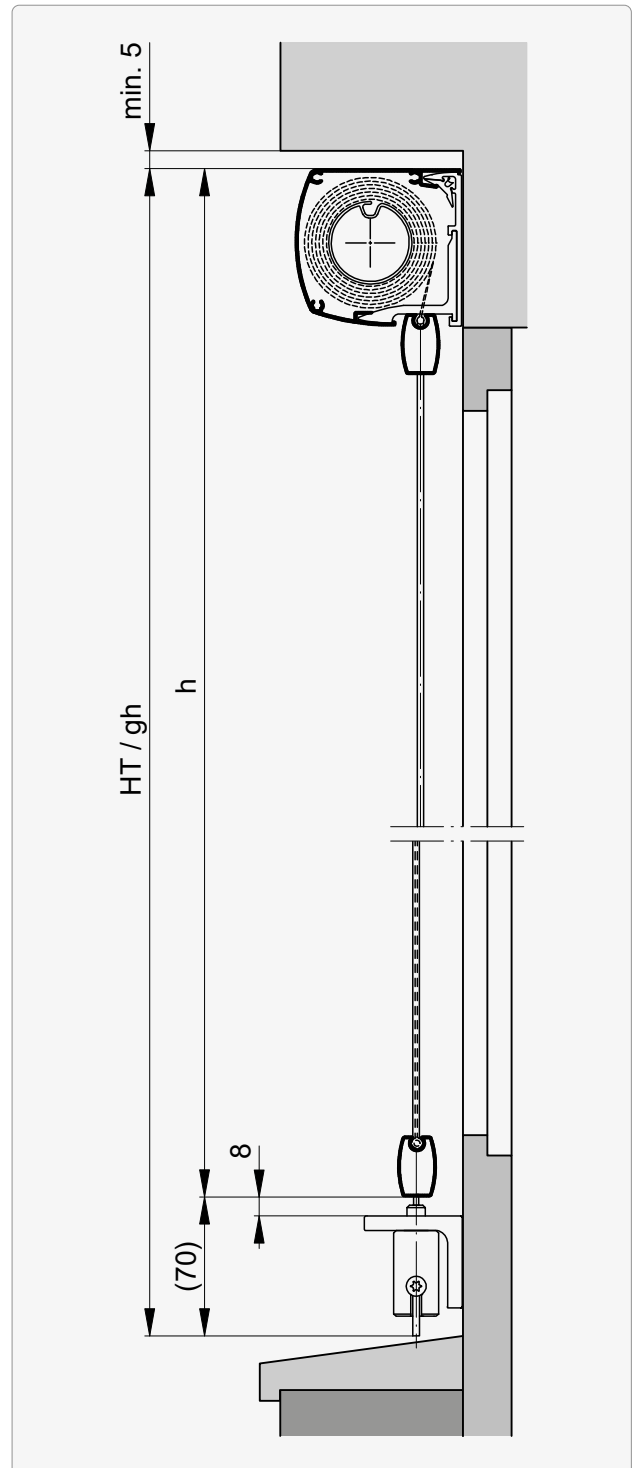
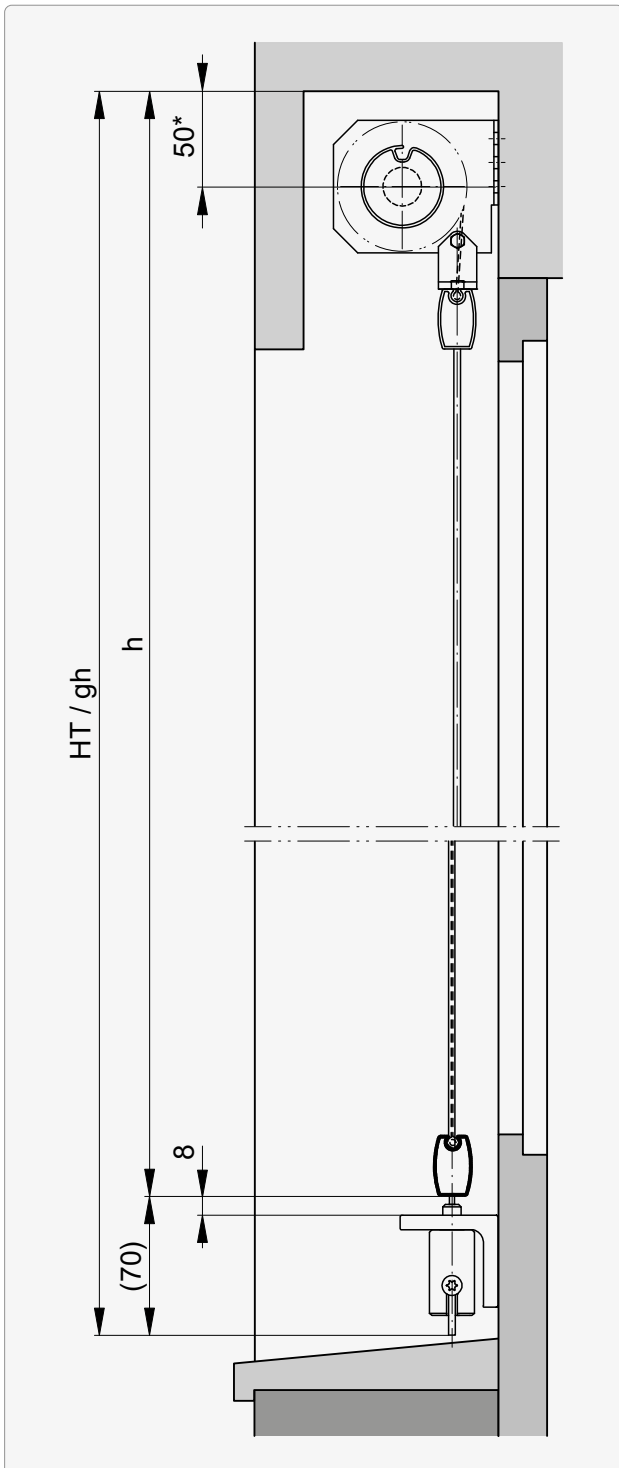
HT/gh, h

Soloscreen® III

Soloscreen® III Box

For cable guide

For cable guide



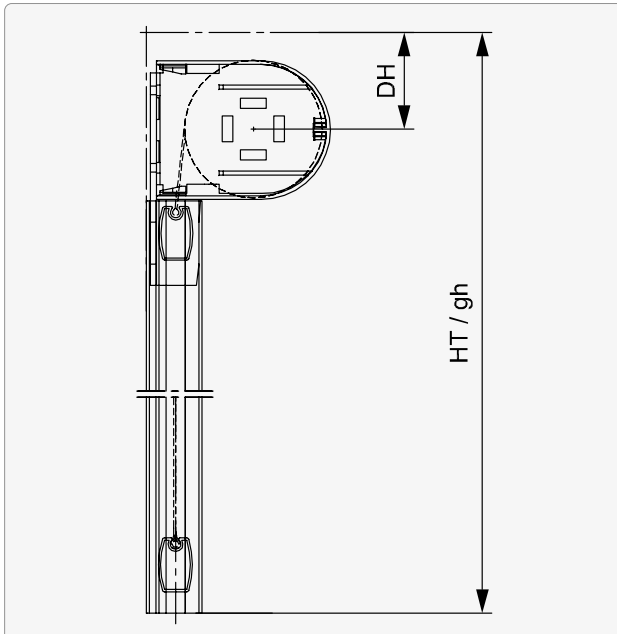
* Crank drive: 40

►► Definitions of dimensions

HT/gh, DH

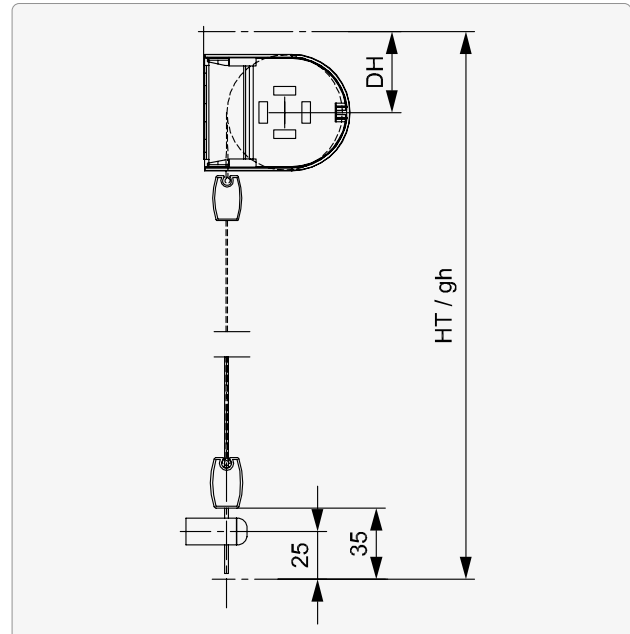
Soloroll® II

For rail guide



Type	DH
Type 60	41
Type 80	45

For cable guide

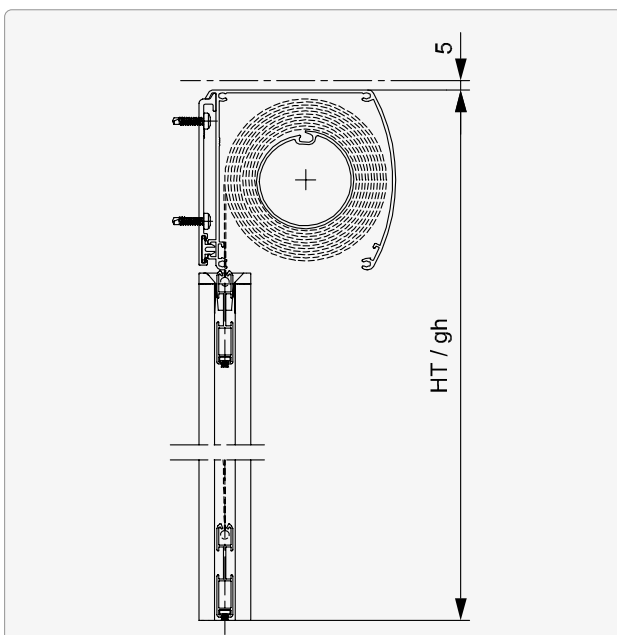


Type	DH
Type 60	42
Type 80	46

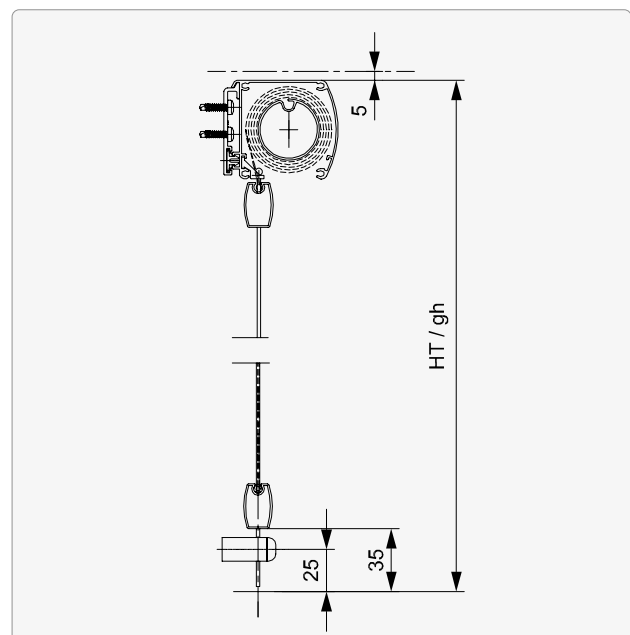
HT/gh

Soloroll® II Box

For rail guide



For cable guide



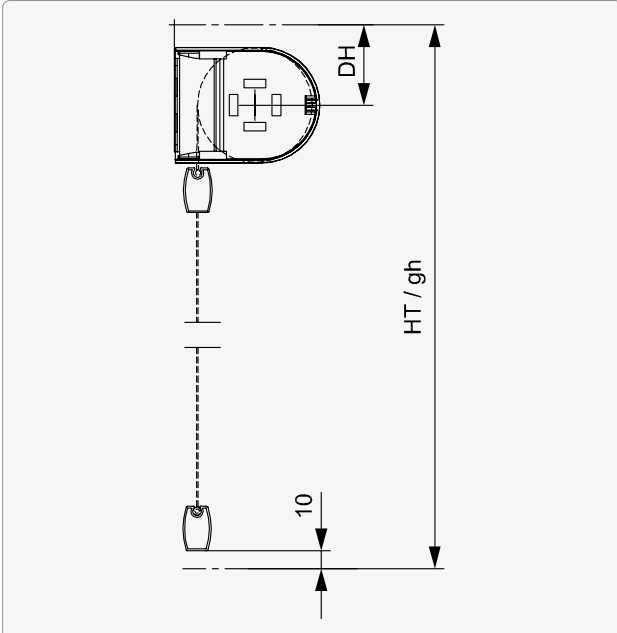
►► **Definitions of dimensions**

HT,gh

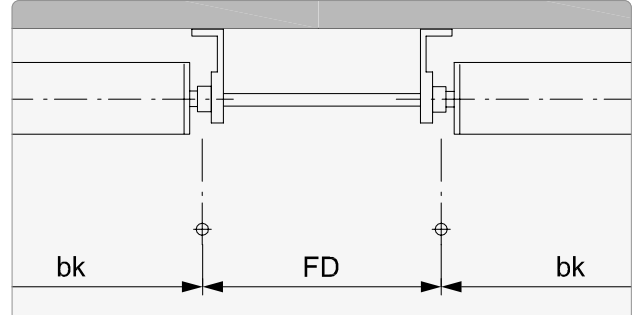
Soloroll® II

Distance between guides FD

Without guides



For cable / slat guide



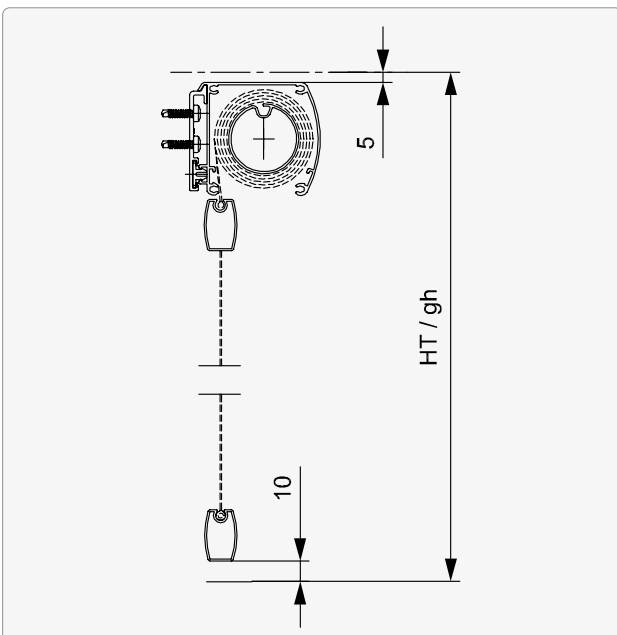
FD Distance to center of cable/slat

Type	DH
Type 60	41
Type 80	45

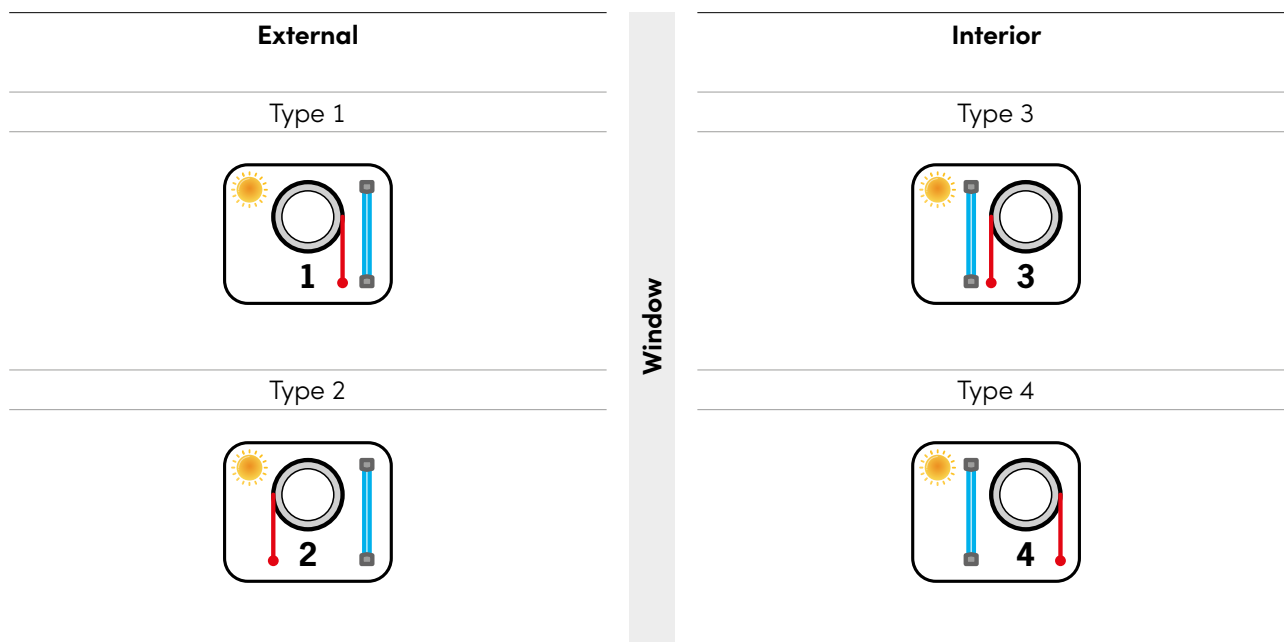
HT,gh

Soloroll® II Box

Without guides



Definition of the sense of rotation of the curtain



Product	Type 1	Type 2	Type 3	Type 4
Solozip® II	●	–	–	–
Soloscreen® IV	●	●*	–	–
Soloroll® II	–	–	●	●*
Sigara®	●	●*	–	–
Galleria®	●	●*	–	–
Tube®	●	–	–	–
Soloscreen® III	●	●*	–	–

* Depends on product variant

Installation base

- 1 Wood
- 2 Stone
- 3 Metal, Aluminum >4 mm, Steel >3 mm
- 4 Sheet metal, Aluminum 2...4 mm, Steel 2...3 mm
- 5 External insulation*
- 6 Plastic
- 7 Chipboard
- 8 Aerated concrete
- 10 Concrete
- 13 Eternit
- 14 Built-in plate
- 15 Sheet metal Al | Cu 2...4 mm
- 16 Insulation EPS 150

* Insulation d: 5...110mm

For Soloscreen® III

- 0 Aluminum
- 1 Wood
- 2 Concrete
- 3 Sheet steel for metric screws
- 4 Sheet steel
- 5 External insulation
- 6 PVC
- 7 Foam material



Index

B**Bearing fastenings**

Sigara®	
cable / slat guide	193
Tube®	238
bk (definition)	274

Bottom rail

Galleria®	211
Sigara®	
cable / slat guide	186
guide rail	169
Soloroll® II	154
Soloscreen® III	256
Solozip® II	18

Box base profile

Solozip® II	22
-------------	----

C**Cable outlet**

Solozip® II	24
Soloscreen® III	257

Connected systems

Galleria®	228
Sigara®	
cable / slat guide	202
guide rail	185
Tube®	244

Construction width (definition) ▶ bk (definition)**D****Definitions of dimensions** 274**Distance between guides ▶ FD****Distance between guides (definition) ▶ FD (definition)****F****Fabric deduction**

Galleria®	207
Sigara®	163
Tube®	232

Fabric hems

Galleria®	207
Sigara®	163

Fastening points

Galleria®	224
Sigara®	180

Soloscreen® III	264
Solozip® II	40

FD

Galleria®	228
Sigara®	185
Tube®	244

FD (definition)

Finished clear height (definition) ▶ hl (definition)	280
---	------------

G**Galleria®** 205**gh (definition)** 277**Guide cable fastenings**

Sigara®	189
Soloroll® II	158
Soloscreen® III	270

Guide extension

Galleria®	222
Sigara®	178
Solozip® II	39

Guide facet

Galleria®	222
Sigara®	178
Solozip® II	39

Guide rails

Galleria®	211
Sigara®	169
Soloroll® II	155
Soloscreen® III	259
Solozip® II	26

Guide rail fastenings (principle)

Galleria®	216
Sigara®	172
Soloroll® II	156
Soloscreen® III	262
Solozip® II	34

H**H (definition)** 277**h1 (definition)** 275**hl (definition)** 275**Housing fastening**

Solozip® II	21
-------------	----

HT (definition) 277

I

Installation base	282
--------------------------	------------

L**Limit dimensions**

Galleria®	206
Sigara®	162
Soloroll® II	138
Soloscreen® III	248
Solozip® II	6
Tube®	232

M**MBMA**

Galleria®	215
Sigara®	171

O**Overall height (definition) ▶ gh (definition)****P**

Profile Hirschmann	20
---------------------------	-----------

R

Rolling direction of the curtain (definition)	281
--	------------

S**Sections for crank drive ▶ MBMA**

Sigara®	161
Guide slat fastenings	
Sigara®	191
Soloroll® II	137
Soloscreen® III	247
Solozip® II	5

T

Tube®	231
--------------	------------

Inspired by the **Sun.**

griesser.com



Subject to change without prior notice 20241118 Item no. 185046