



**Internal roller blinds from Griesser.**  
Soloroll® II





## Soloroll® II

The interior roller blind Soloroll® II, which can be mounted in front or on the side with or without guides, is eye-catching with its filigree design. A large selection of weaves and colors are available.

The air-permeable weave reflects the absorbed solar energy – for full exposure and visual transparency. Soloroll® II provides every room with the solar shading it needs while creating a comfortable room ambiance.



---

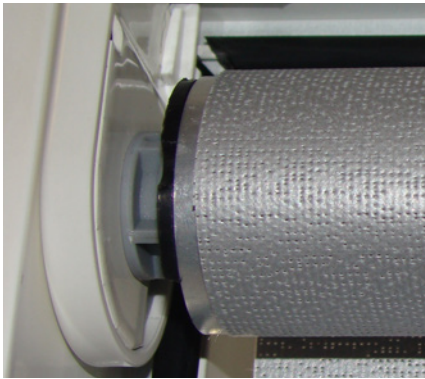
**Technology in detail**

---

- 1 Fabric spindle
  - 2 Box (cover)
  - 3 End rail
- 



Soloroll® II Box with chain block



Soloroll® II with motor drive



End rail

---

**Roller blind for internal application**

---



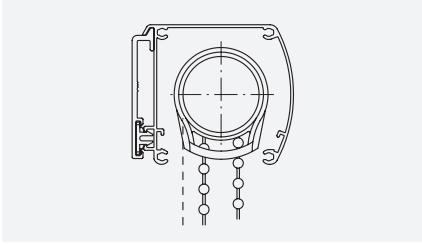
Soloroll® II Box



Soloroll® II

## Version with Box

### Box 55

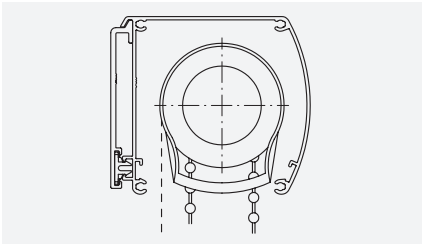


### Soloroll® II Box 55

Type of guide rails	Operation	Fabric	Width max.*	Height max.*	Surface max.*
without guides		Transparent	2400	2700	2 m <sup>2</sup>
Cable guide					
Guide rails		Darkening	1500**	1500	
Guide rails Fix					

\*\*with Starlet Blackout Color 2000

### Box 70



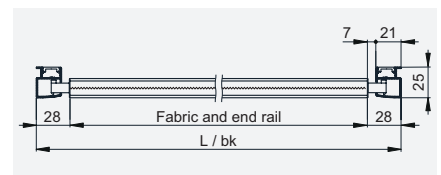
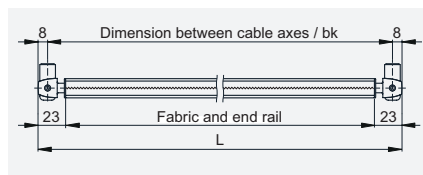
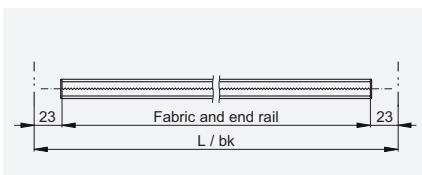
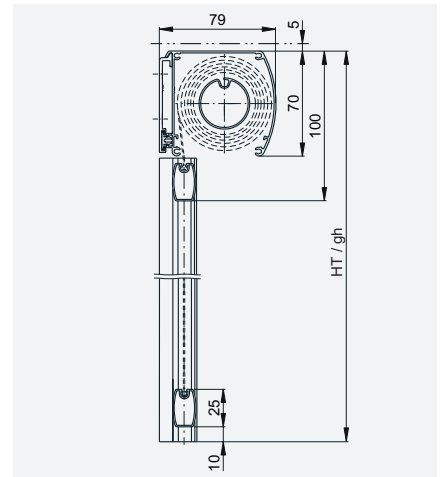
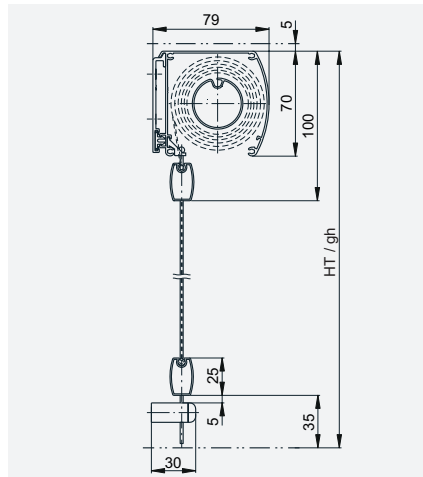
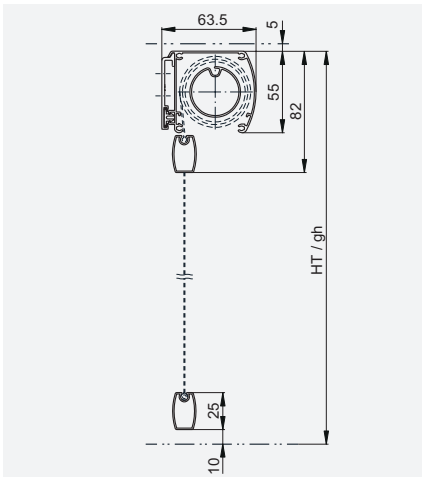
### Soloroll® II Box 70

Type of guide rails	Operation	Fabric	Width max.*	Height max.*	Surface max.*
without guides		Transparent	2400	3000	7 m <sup>2</sup>
Cable guide					
Guide rails		Darkening		3000	5.5 m <sup>2</sup>
Guide rails Fix					

without guides		Transparent	2800	3500	9 m <sup>2</sup>
Cable guide					
Guide rails		Darkening		3000	7 m <sup>2</sup>
Guide rails Fix					

\*See the quick guide for external venetian blinds / facade awnings for final limit dimensions.

## Vertical and horizontal sections



Box 55 without guides

Box 70 Cable guide

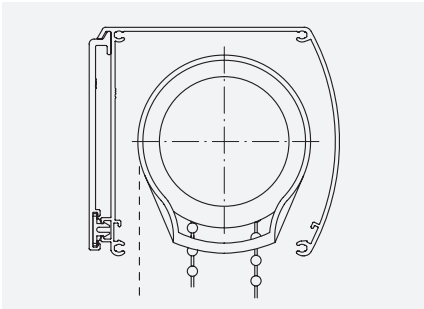
Box 70 Guide rails



**Strangulation hazard!**

## Version with Box

### Box 90

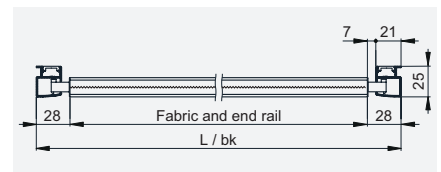
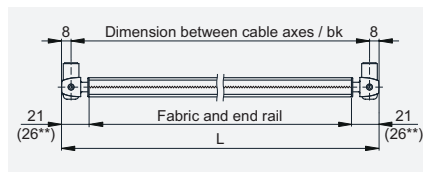
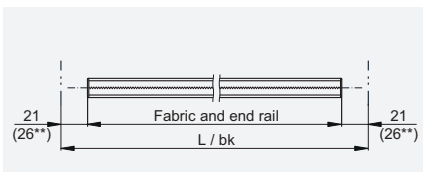
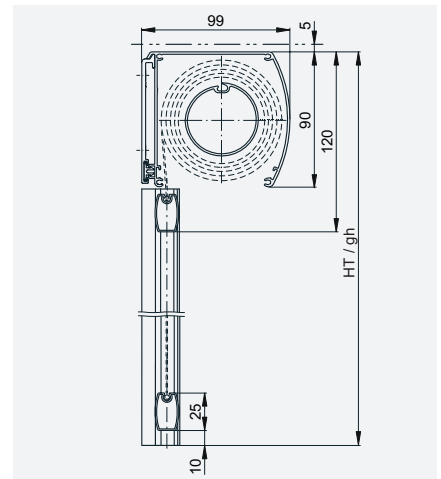
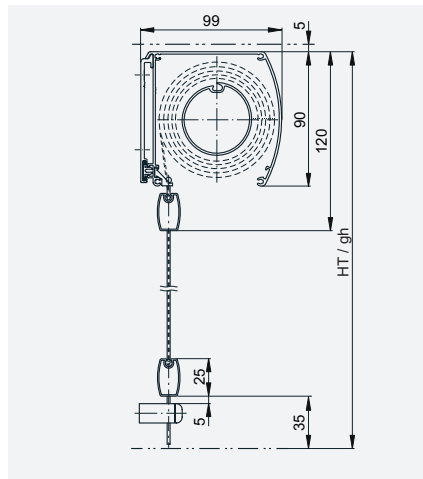
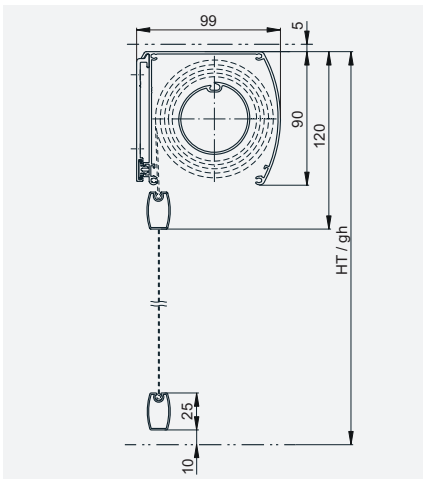


### Soloroll® II Box 90

Type of guide rails	Operation	Fabric	Width max.*	Height max.*	Surface max.
without guides		Transparent	3000	3000	8 m <sup>2</sup>
Cable guide		Darkening			7 m <sup>2</sup>
Guide rails					
Guide rails Fix					
without guides	 230 V~	Transparent	3200	4500	9 m <sup>2</sup>
Cable guide		Darkening			
Guide rails					
Guide rails Fix					

\*See the quick guide for external venetian blinds / facade awnings for final limit dimensions.

## Vertical and horizontal sections



Box 90 without guides

Box 90 Cable guide

Box 90 Guide rails

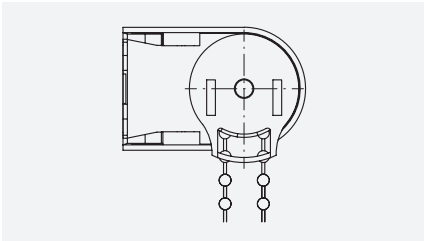
\*\* Operation with bead chain



**Strangulation hazard!**

## Version with bearing

### Bearing 60

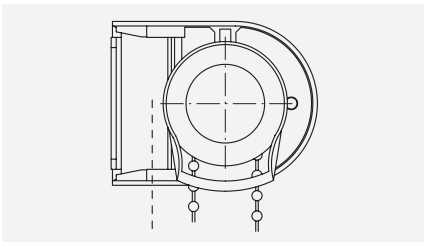


### Soloroll® II 60

Type of guide rails	Operation	Fabric	Width max.*	Height max.*	Surface max.*
without guides		Transparent	2400	2700	2 m <sup>2</sup>
Cable guide		Darkening	1500**	1500	
Guide rails					
Guide rails Fix					

\*\*with Starlet Blackout Color 2000

### Bearing 80



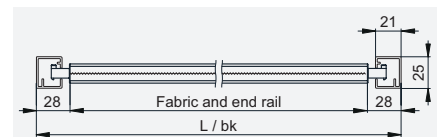
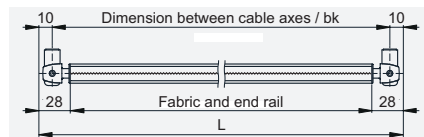
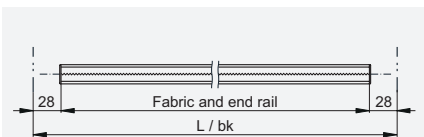
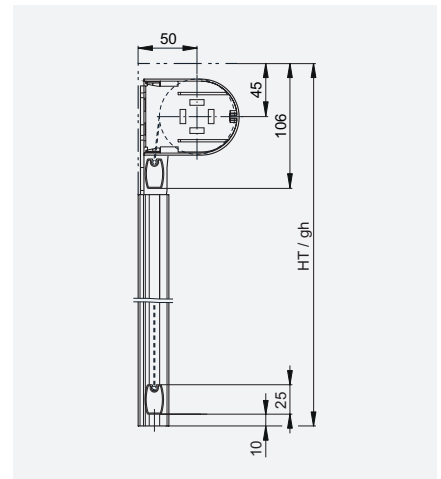
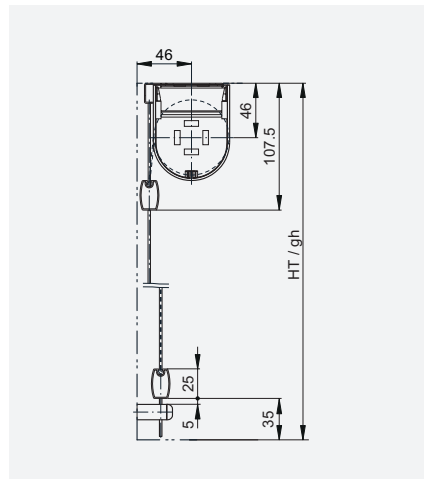
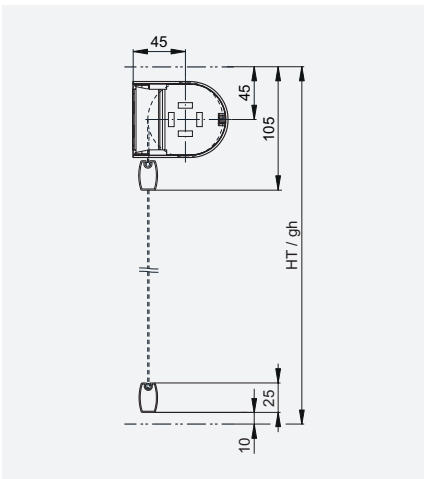
### Soloroll® II 80

Type of guide rails	Operation	Fabric	Width max.*	Height max.*	Surface max.*
without guides		Transparent	3000	3000	8 m <sup>2</sup>
Cable guide		Darkening			7 m <sup>2</sup>
Guide rails					
Guide rails Fix					

without guides		Transparent	3200	4500	9 m <sup>2</sup>
Cable guide		Darkening			
Guide rails					
Guide rails Fix					

\*See the quick guide for external venetian blinds / facade awnings for final limit dimensions.

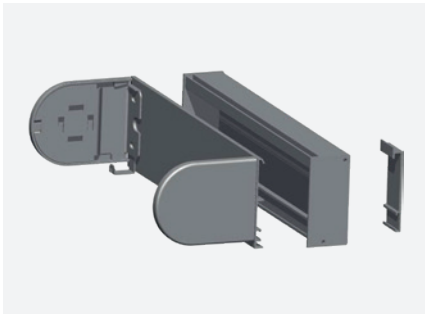
## Vertical and horizontal sections



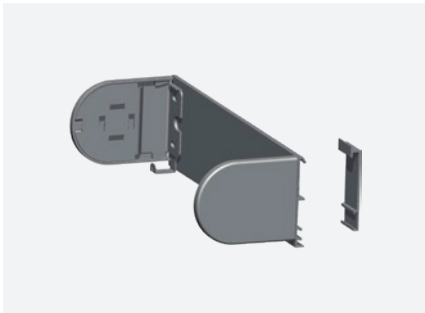
Bearing 80 without guides

Bearing 80 Cable guide

Bearing 80 Guide rails Fix



Rear wall profile for connector and radio receiver with Soloroll® II Box 70, Soloroll® II Box 90 and Soloroll® II 80 (option).



Profile for connection of bearings with Soloroll® II 80 (option).

## Type overview of variants

### Soloroll® II Box

Type	Operation			Type of guide rails			
				Standard	Fix	Cable	Without
Soloroll® II Box 55							
Soloroll® II Box Fix 55	•				•		
Soloroll® II Box 70	•	•	•	•		•	•
Soloroll® II Box Fix 70	•	•	•		•		
Soloroll® II Box 90	•	•	•	•		•	•
Soloroll® II Box Fix 90	•	•	•		•		

### Soloroll® II

Type	Operation			Type of guide rails			
				Standard	Fix	Cable	Without
Soloroll® II 60							
Soloroll® II 60	•			•		•	•
Soloroll® II Fix 60	•				•		
Soloroll® II 80	•	•	•	•		•	•
Soloroll® II Fix 80	•	•	•		•		



Strangulation hazard!







---

**Collection Soloroll®**

---

**Soltis fabric world – Polyester material with PVC.**

Polyester is very strong and resistant to abrasion.

**Collection**

Selection of: Soltis 99, Soltis Touch, Soltis Low E, Blackout B99, B702, B990.

<b>Weight</b>	<b>Thickness</b>	<b>Fire classification (dep. on the type of fabric)</b>
0.29 – 0.75 kg	0.32 – 0.75 mm	M1 / B1 / VKF 5.2 / B-s2,d0 / M2

**Starlet fabric world – Polyester material without PVC.**

Loose polyester material is characterized by odor neutrality.

**Collection**

Selection of: 40985 Starlet Blackou, 40818 Starlet.

<b>Weight</b>	<b>Thickness</b>	<b>Fire classification (dep. on the type of fabric)</b>
0.21 – 0.31 kg	0.35 – 0.42 mm	M1 / B1

**Screen fabric world – Glas fiber fabric with PVC.**

Glass fiber fabric is very flame-retardant.

**Collection**

Selection between: M-Screen 8505, Screen Vision 1%, 3%, 5%, 10%, Flocké 11201, KIBO 8500.

<b>Weight</b>	<b>Thickness</b>	<b>Fire classification (dep. on the type of fabric)</b>
0.34 – 0.65 kg	0.42 – 0.55 mm	M1 / C-s3,d0 / B1


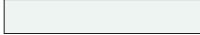






---

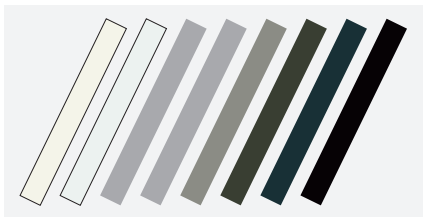
## Our colors

---

### Griesser Bestseller Colors

---

			
RAL 9010	RAL 9016	RAL 9006	VSR 140 - Metallic
			
RAL 9007/VSR 907	RAL 7022	RAL 7016	RAL 8019



### Surface structure

Semi-gloss

---

## Premium Colors

---

### GriRal Colors

Our GriRal color collection has an assortment of 50 different RAL shades of color. From sand yellow to standard white, we offer a complete selection of hues for every color family. We're convinced that with our color palette, you will find exactly the right shade of color for your needs.



### GriColors

The GriColors range includes 100 color shades in four collections, Glass & Stone, Sun & Fire, Water & Moss and Earth & Wood – from cool white and sunny red to natural blue and earthy brown.



---

### Colors for plastic parts

Plastic parts (bearing caps, end caps for the end rail, bead chain ...) in white, gray or black.



**Your partner:**

Griesser solar shading – Quality since 1882.

[www.griesser.com](http://www.griesser.com)