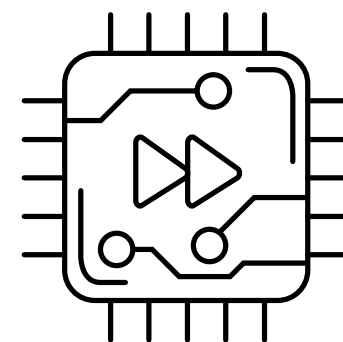


Mounting Instructions LANCOM ISG-8000



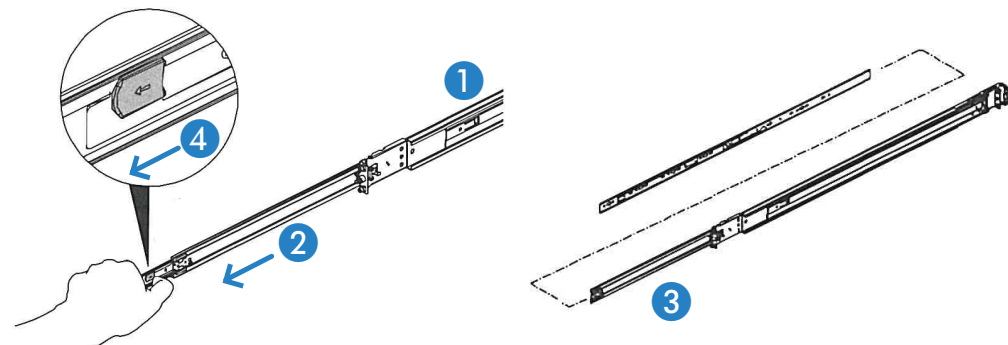
Preparations for rack mounting

Package contents: 2 rail systems, 10 countersunk bolts for fixing the inner rails at the device, 8 special screws for mounting into racks with smaller fastening holes

The rail system consists of three parts: outer guiding rail ①, inner guiding rail ②, and inner rail ③.

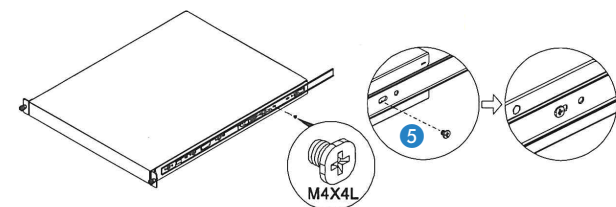
Place one of the rail systems transversely on a wide and solid surface, so that the inner guiding rail ② shows upwards, and the mark "REAR" at the outer guiding rail ① is located at the right side. Hold the rail system with your right hand while moving the inner guiding rail to the left. Just in the moment you feel a retarding force the inner rail ③ releases from the guiding rail and can be pulled out all the way to the stop.

Now turn the rail system upside down. At the inner rail you just pulled out you will notice a small white plastic slider ④. Push this plate to the left while pulling the inner rail out of the guiding rail. Continue with the second rail system as described above.



Fixing the inner rails at the ISG-8000

Position the first inner rail at the left side of the ISG-8000, so that the shaped letterings are readable and the blue plastic slider shows visible to the front of the device. Then place the mounting holes of the inner rail in congruence to the four horizontally aligned mounting holes at the side of the ISG-8000, so that you can fasten the rail with four of the enclosed countersunk bolts ⑤. Note that the mounted rail is overhanging about 10 cm at the backside of the device. Fasten the second inner rail the same way to the right side of the ISG-8000. Note that the lettering on the rail is upside down on this side. The two redundant bolts are spare parts.

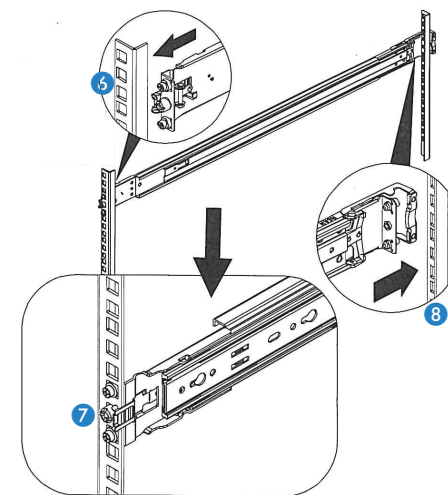


Mounting the rail system in the rack

Please make sure that there are 3 free holes in a row at the desired mounting places in the rack ⑥.

Then place one rail system at this position in that way, that the inner guiding rail shows inwards and the mark "REAR" shows backwards.

Bend the rail system inwards at the back and simultaneously push the front bolts to the desired mounting holes until the rail system snaps in noticeably to the forward rack frame ⑦. Then pull out the rear part of the rail system until it reaches the rear rack frame, and let it snap in noticeably, too H. Use the same procedure when installing the second rail system at the other rack side.

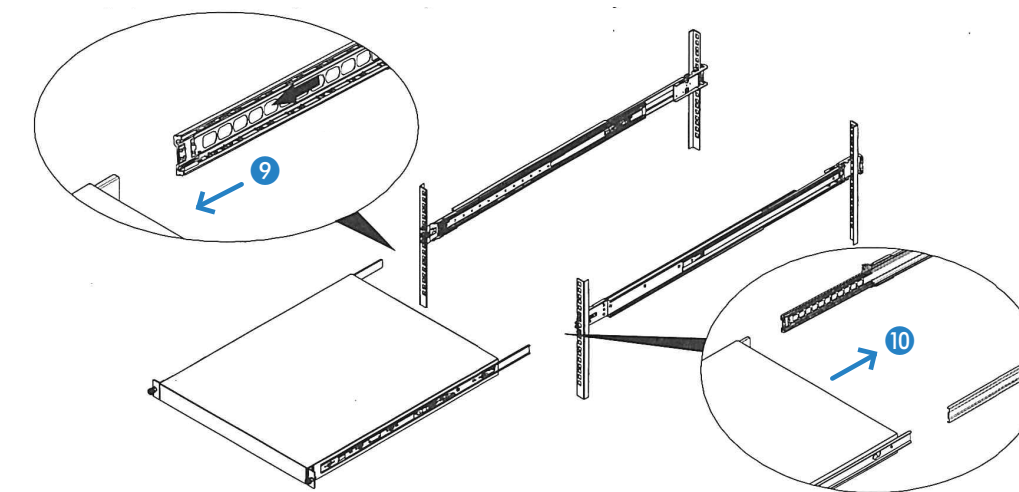


Installing the ISG-8000 to the inner guiding rails in the rack

On both sides of the rack, pull out the inner guiding rail until it snaps in noticeably ⑨. Make sure both rails cannot be pushed back into the rail system accidentally.

Performing the following steps requires a second person!

Two by two, slide the device with the already attached inner rails horizontally into the slide-out and locked inner guiding rails in the rack ⑩. Make sure that both inner rails are safely connected to the guiding rails. Then push the device all the way in to the guiding rails.



Completing the installation

Now move both of the blue plastic sliders at the inner rails on each side of the device to the front ⑪, and simultaneously push the device into the rack until it is noticeably locked in its end position ⑫.

