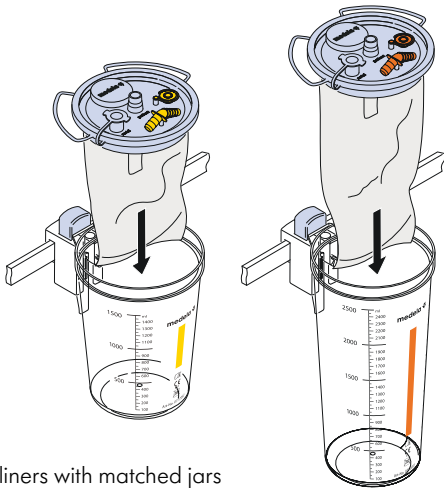
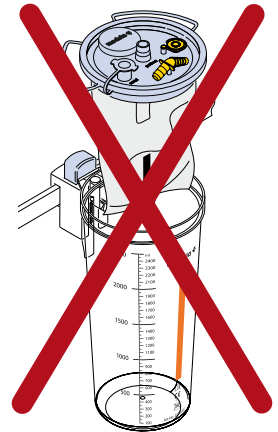
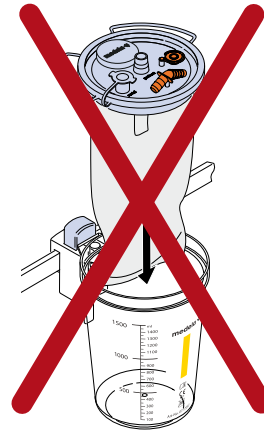




## Use of liners



Matching liners with matched jars



Liner sizes are not matched to the jars!

**Wrong use of product WILL NOT guarantee safety and hygiene.**



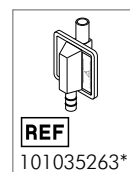
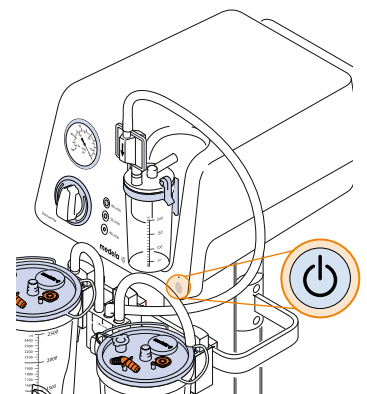
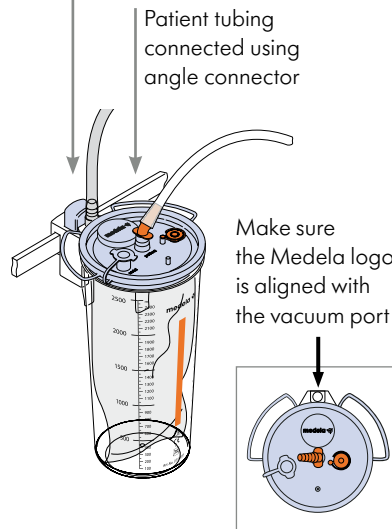
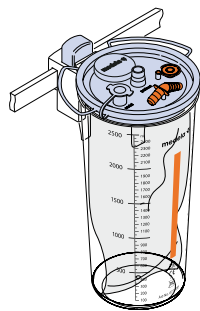
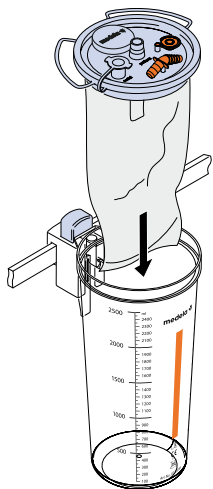
## Preparation of single liner and jar

**1** Place liner into jar

**2** Press lid down firmly

**3** Attach vacuum tubing to vacuum port using direct connector

**4** Switch on pump



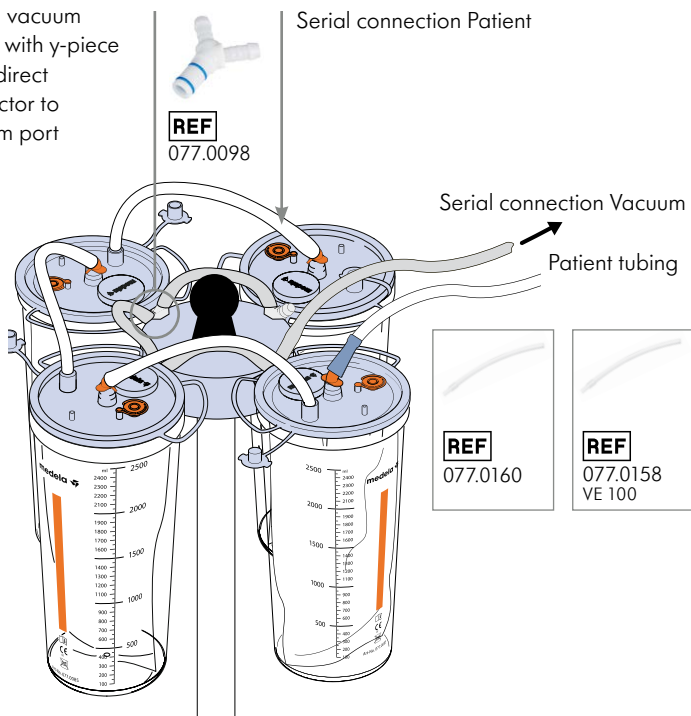
**NOTE**

\* Medela strongly recommends the use of either a safety set or an overflow protection/virus filter to prevent fluids from entering into the suction source.

## Set up with several liners

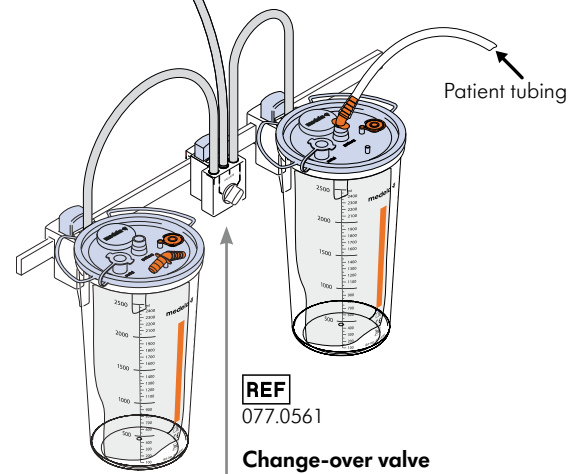
### With Serial Connection

Attach vacuum tubing with y-piece using direct connector to vacuum port

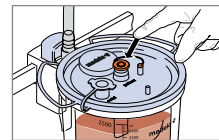


### With Change-Over Valve

Vacuum connection to pump



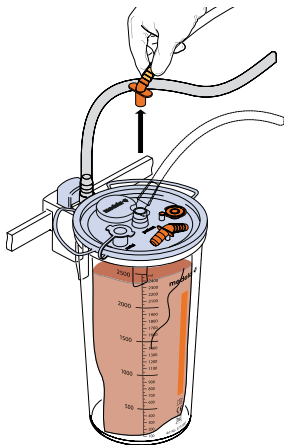
**Change-over valve**  
Allows the vacuum to be switched from one canister to the other.



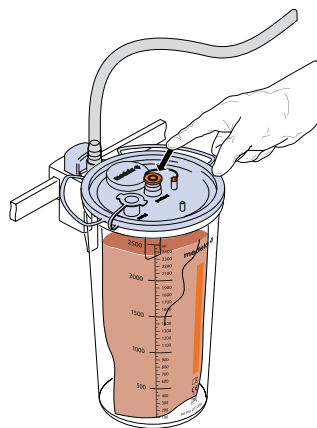
**NOTE**  
Close patient port before switching from one liner to the next liner.

## Disconnection and liner disposal

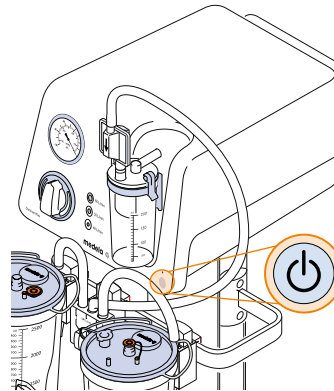
**1** Unplug the patient tubing



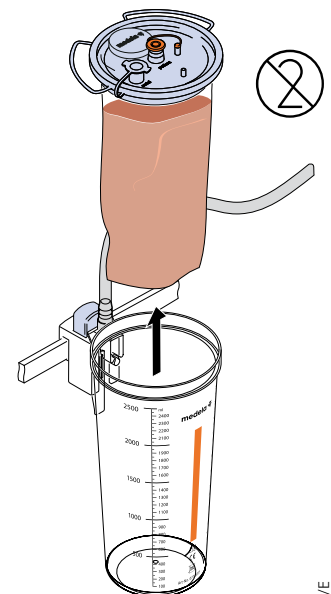
**2** Plug the patient port



**3** Switch off pump and set vacuum to zero



**4** Remove and discard liner



**IMPORTANT NOTE**  
Close the liner with the cap BEFORE turning off the vacuum.

Medela AG  
Lättichstrasse 4b  
6340 Baar, Switzerland  
www.medela.com

**International Sales**  
Medela AG  
Lättichstrasse 4b  
6340 Baar  
Switzerland  
Phone +41 41 562 51 51  
Fax +41 41 562 51 00  
customer@medela.ch

**United Kingdom**  
Medela UK Ltd.  
Huntsman Drive  
Northbank Industrial Park  
Irlam, Manchester M44 5EG  
United Kingdom  
Phone +44 161 776 0400  
Fax +44 161 776 0444  
info@medela.co.uk