

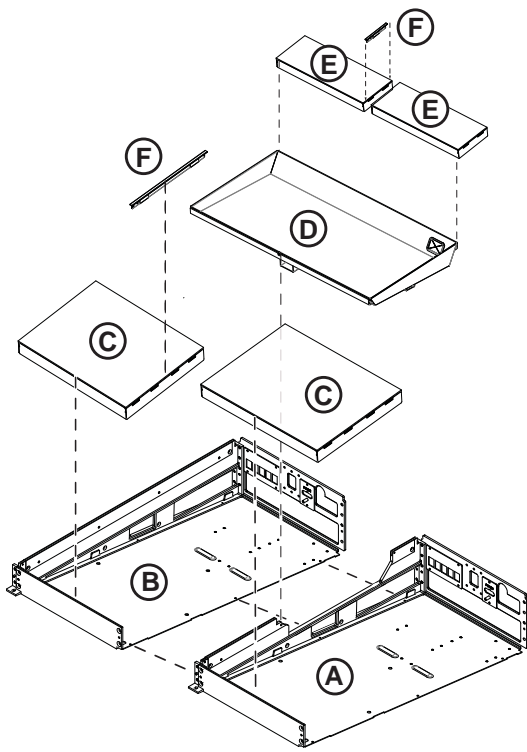


Producers Desk Option for Pro Tools® | S6

The Producers Desk option for Pro Tools® | S6 lets you position a computer display and keyboard close to the mix position. You can also add Fader Modules to either or both chassis of the Producers Desk.

The Producers Desk consists of two chassis, one standard Frame Chassis (Small or Large), and one Inlay Chassis (Small or Large). Other S6 frame components are also included such as Back Feet, Rear Covers, a standard T-strip, Fill and Compression Panels, Cable Sets, and other items.

Producers Desk (Small)



Primary components of the Producers Desk options

Legend	Component	Producers Desk Small	Producers Desk Large
A	Chassis (Inlay)	1	1
B	Chassis (standard)	1	1
C	Fill Panel, Large	2	2
D	Inlay Module	1	1
E	Compression Panel	2	2
F	T-strip (2-piece)	1	1
(not shown)	Fill Panel, Small		2

For assembly and installation instructions see the *Pro Tools® | S6 Installation Guide*. A printed version is included in the Master Module package. The most recent electronic version can be downloaded from your Avid Master Account after you have activated your system (www.avid.com > My Account).