



## Leg Frame Extension for Pro Tools® | S6

The Leg Frame Extension option is comprised of a special end bracket shelf that attaches to either end of a Leg Frame. This lets you expand an S6 Leg Frame system by adding a chassis to the frame. One Leg Frame Extension can be added to each end to add two chassis.

The figure below shows how to attach the Leg Frame Extension to the right end of a Leg Frame and secure it to the Beams using eight fasteners and washers (included). Installation is the same if attaching to the left end.

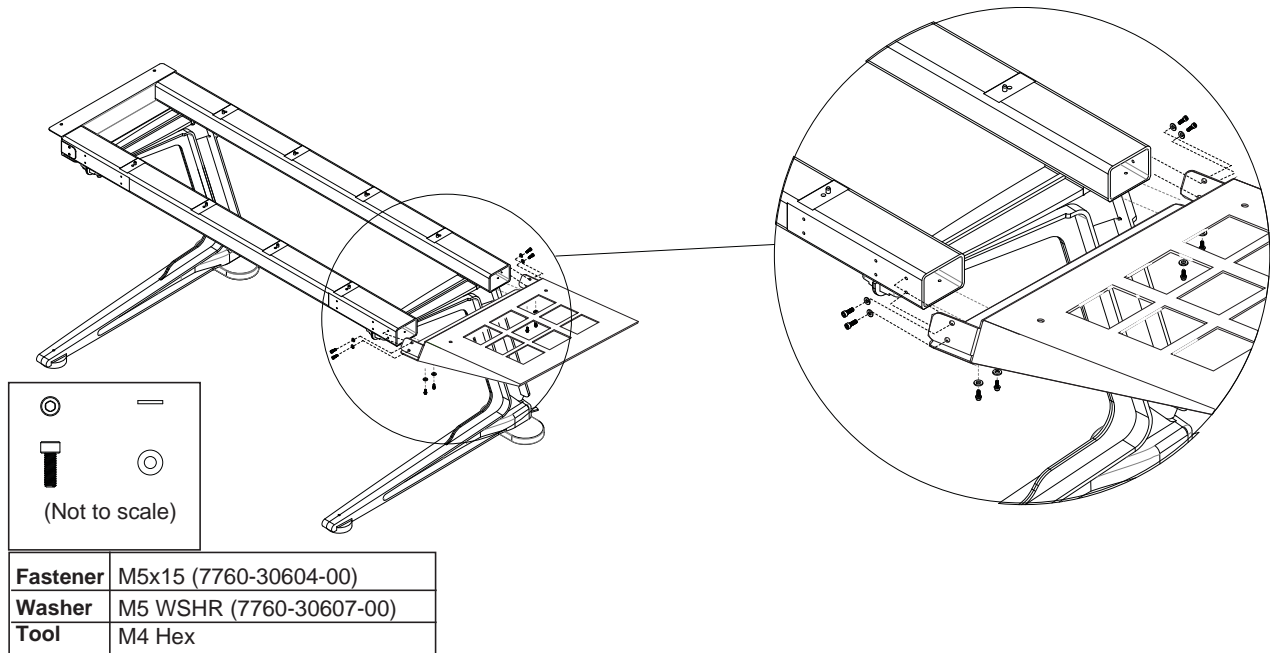


Figure 1. Attaching a Leg Frame Extension

To expand an existing S6 Leg Frame with one or more Leg Frame Extensions, some disassembly of the frame is required (including the removal of some modules) and the Bolster must also be expanded.

The Bolster can be expanded by adding an additional Bolster (two chassis in width, minimum) and combining it with the existing Bolster, or by replacing the existing Bolster with a single new, larger Bolster. The way in which you can expand your Bolster is determined by the number of chassis you are adding, and by the date that your system shipped from the factory.

- If you are adding two or more chassis, you can either add an additional Bolster extension or completely replace the existing Bolster.
- If you are adding a single chassis, or if your system shipped from the factory before July 2, 2014, you must replace your existing Bolster. In addition, if your system shipped before July 2, 2014, you might also have to upgrade your Extrusions (Beams) and Side Covers. Contact your Avid S6 dealer, or Avid Customer Care, for more information.

For instructions on disassembling and expanding a system, refer to the guide *Expanding an S6 System.pdf*. For complete instructions on connecting and installing modules, refer to the *S6 Installation Guide*. You can download the most recent editions of S6 documentation from your Avid account or our Knowledge Base.

**To download documents from your Avid account visit:**

<https://www.avid.com/US/account>

**To download documents from our Knowledge Base visit:**

[http://avid.force.com/pkb/articles/en\\_US/faq/Avid-S6-Support](http://avid.force.com/pkb/articles/en_US/faq/Avid-S6-Support)