



## 01

### Check the included items

As soon as you open the package, check to see that all items are included. If anything is missing, please contact your dealer.

#### Stand (MDS-4)

The parts required to assemble the stand (MDS-4) are listed in the MDS-4 Owner's Manual. Check the owner's manual and make sure that you have all of the parts.

#### TD-4K parts

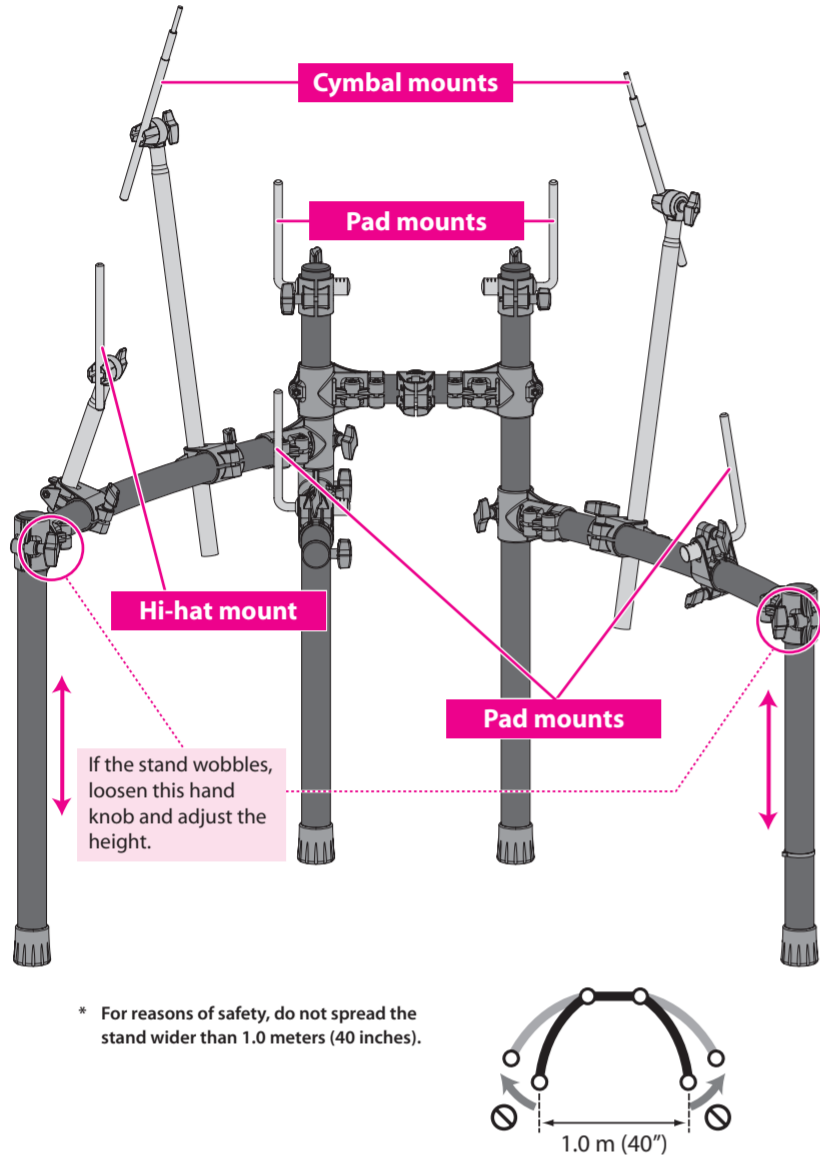


## 02

### Assemble the stand

#### Assembly procedure

Assemble the stand using the procedure described in the MDS-4 Owner's Manual.

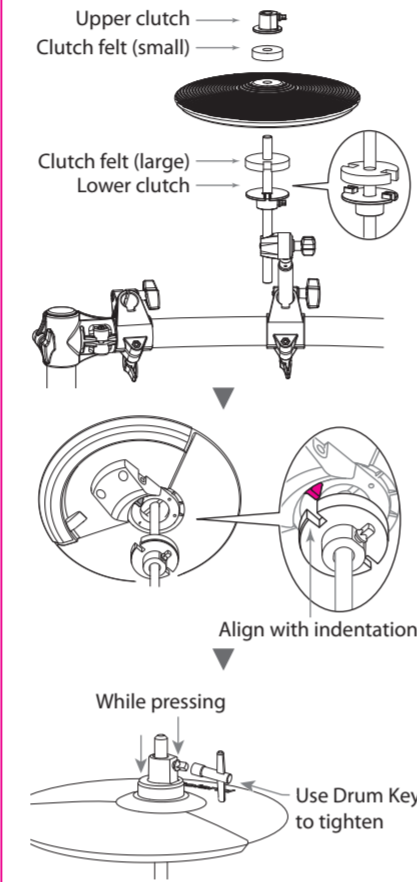


## 03

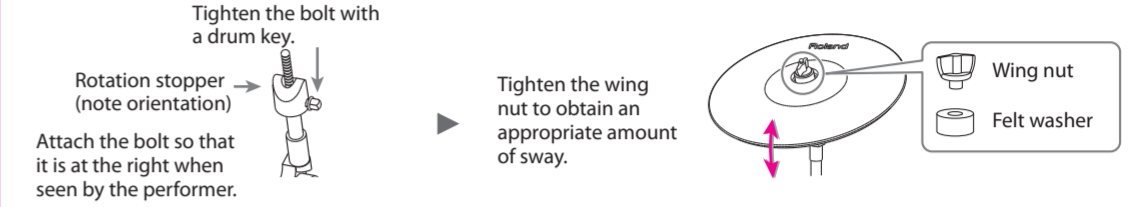
### Attach the parts

\* The parts required for mounting the cymbals and the hi-hat are included in the TD-4K attachment box.

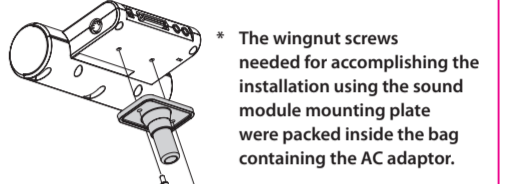
#### Attach the hi-hat (CY-5)



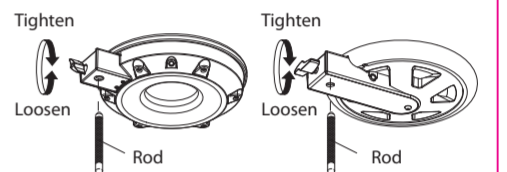
#### Attach the crash cymbal (CY-8) and ride cymbal (CY-8)



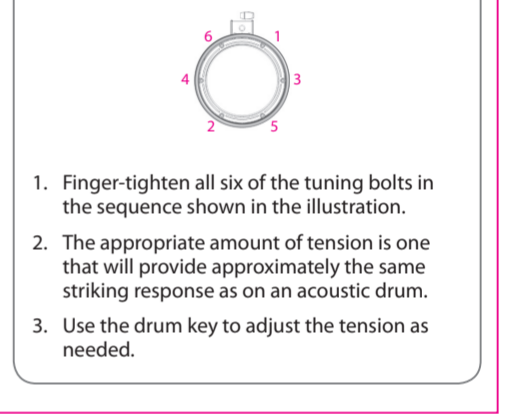
#### Attach the sound module (TD-4)



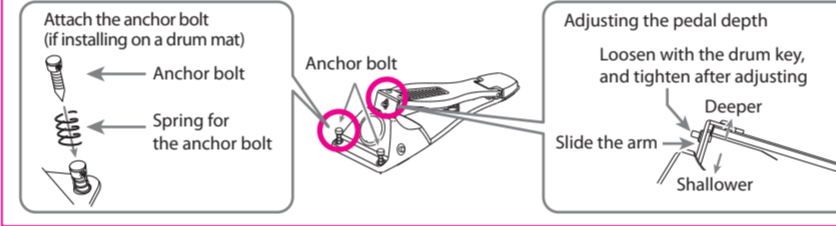
#### Attach the snare (PDX-8) and toms (PD-8)



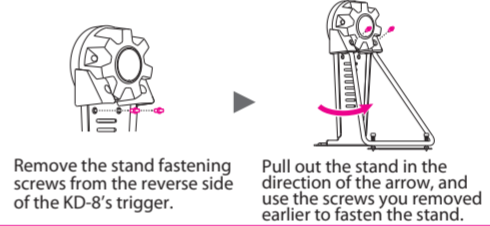
#### Adjusting the tension (PDX-8)



#### Assemble the hi-hat control pedal (FD-8)



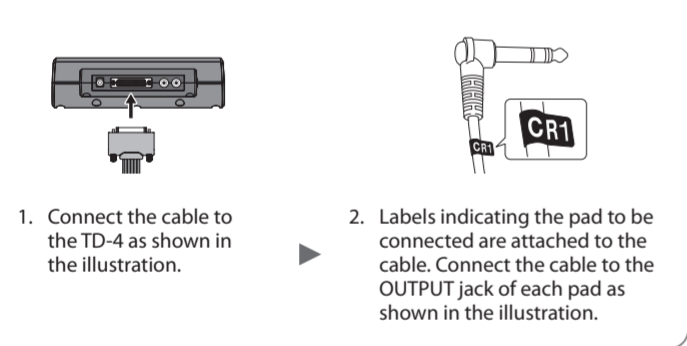
#### Assemble the kick (KD-8)



## 04

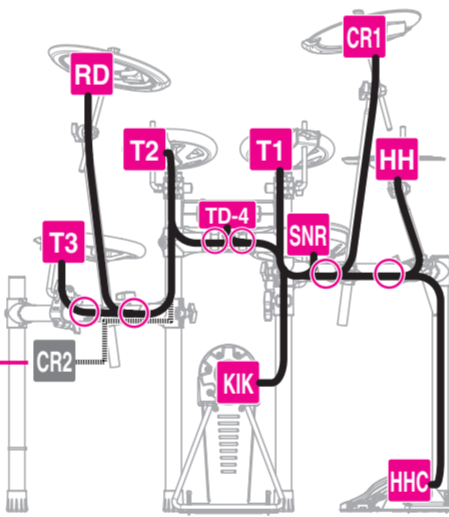
### Connect the pads to the sound module

#### Connection procedure



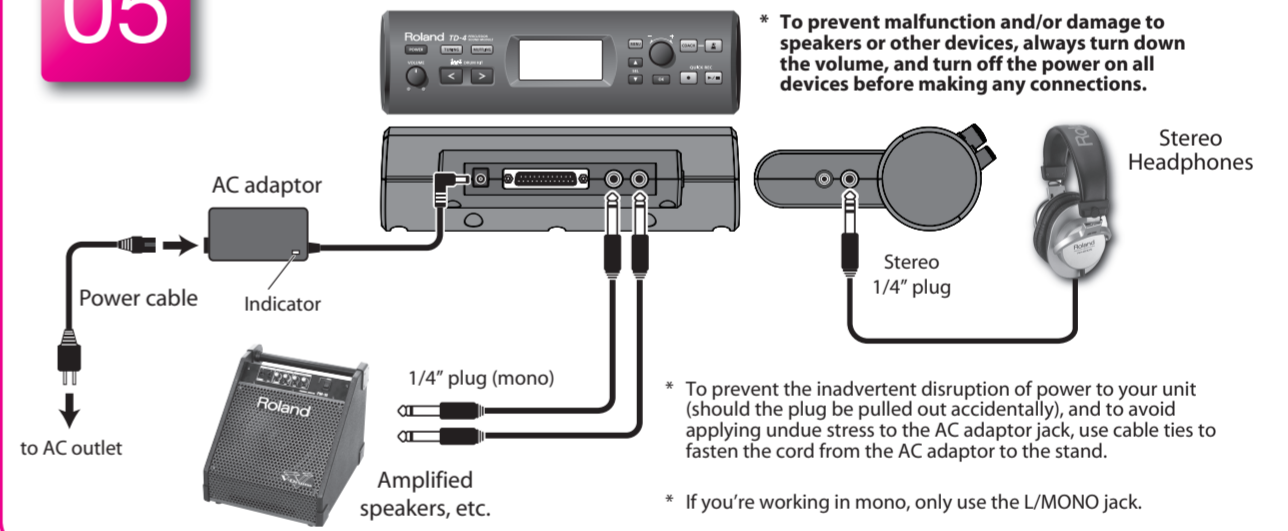
\* Use cable ties to fasten the cables at the circled locations "O" so that they do not interfere with your performance. Make sure to wrap the cable ties around the pipes.

\* Do not connect the CR2 cable (for extension). Leave the cap in place, and fasten the cable so that it will not hinder your performance.



## 05

### Connect the AC adaptor and speakers



This completes assembly and connections.

■ When you've finished making connections, turn on the power as described in the TD-4 Owner's Manual, and verify that you can hear sound.

## Detailed explanation of each part

### KD-8 (Kick)

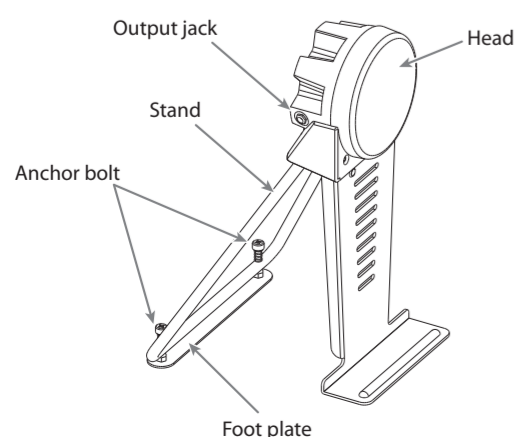
\* Use a commercially available kick pedal.

\* To prevent damage to the floor or carpet and to ensure stability, we recommend that you use a drum mat (TDM series; sold separately).

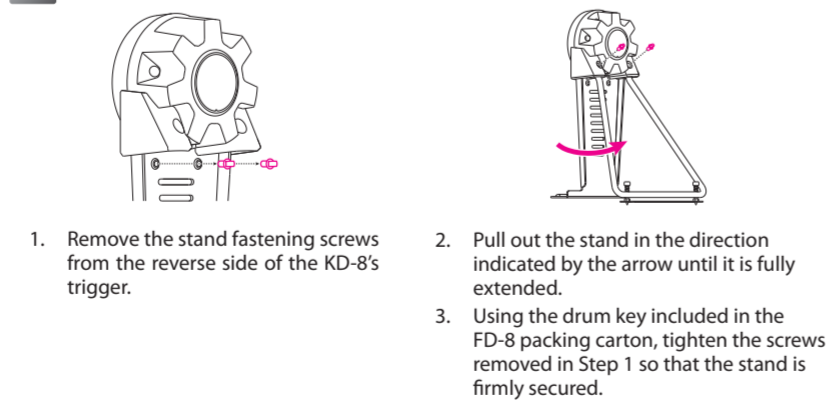
#### NOTE

- \* Install the kick pedal securely.
- \* Take care not to pinch your fingers.
- \* The tips of the anchor bolts are sharp. Handle with care.
- \* When moving the KD-8, be sure to remove the screws and fold the stand. Transporting the KD-8 while it remains open may subject the stand to excessive strain and result in damage to the stand.
- \* Anti-skid tape is affixed to the foot plate. When transporting the KD-8, don't forget to pick up the foot plate.

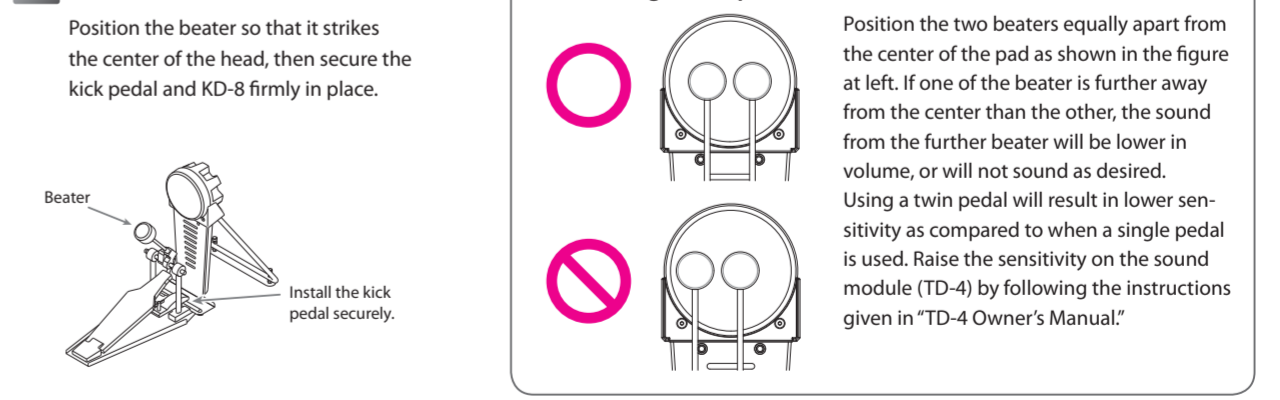
#### KD-8 component names



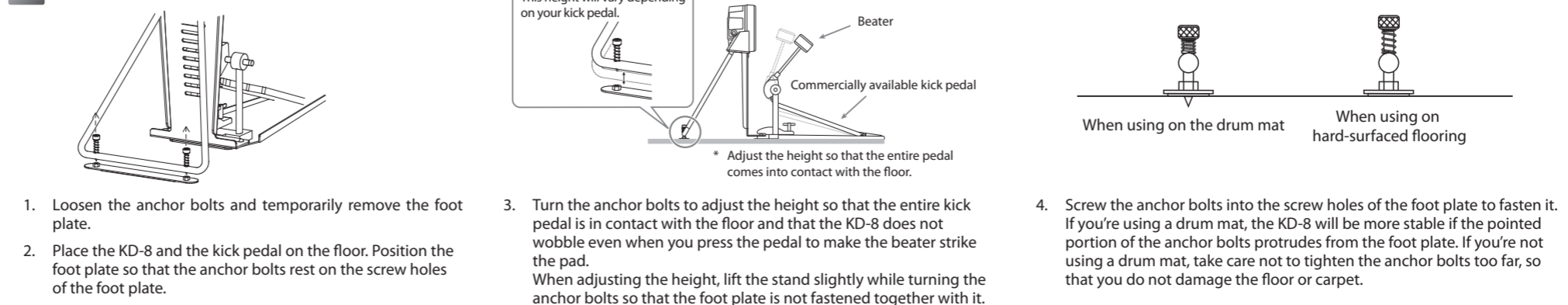
#### 01 Extend the stand and fasten it



#### 02 Attach the kick pedal



#### 03 Adjust the height of the foot plate



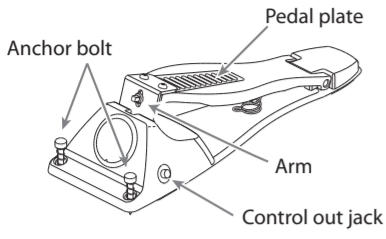
Other side

# Detailed explanation of each part

## FD-8 (Hi-hat control pedal)



### FD-8 component names

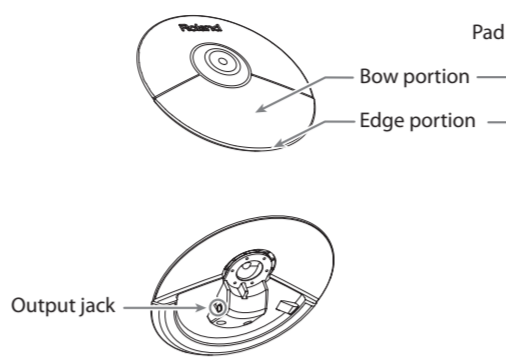


#### NOTE

- \* The tips of the anchor bolts are sharp. Handle with care.
- \* When using on hard-surfaced flooring, the anchor bolts may damage the floor. Do not attach the anchor bolts.
- \* To adjust the travel of the pedal, loosen the arm bolt.

## CY-5 (Hi-hat)

### CY-5 component names

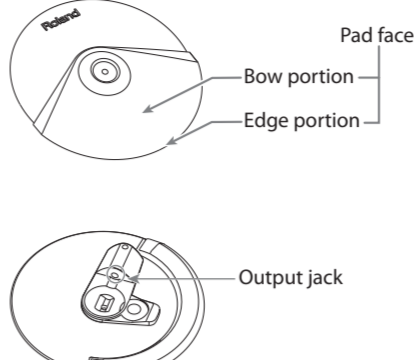


#### NOTE

- \* Continuous playing may cause dis-coloration of the pad, but this will not affect the Pad's function.

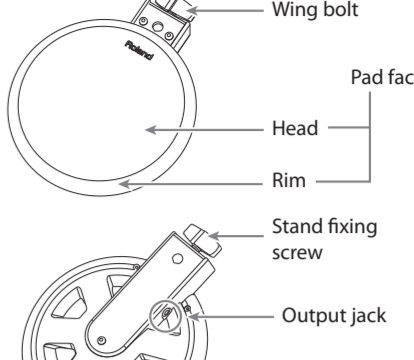
## CY-8 (Crash/Ride cymbal)

### CY-8 component names



## PD-8 (Tom)

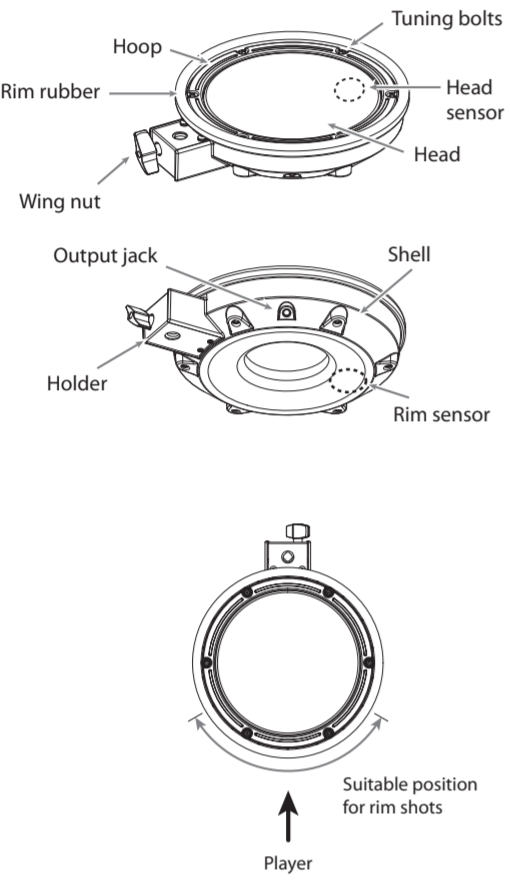
### PD-8 component names



## PDX-8 (Snare)



### PDX-8 component names



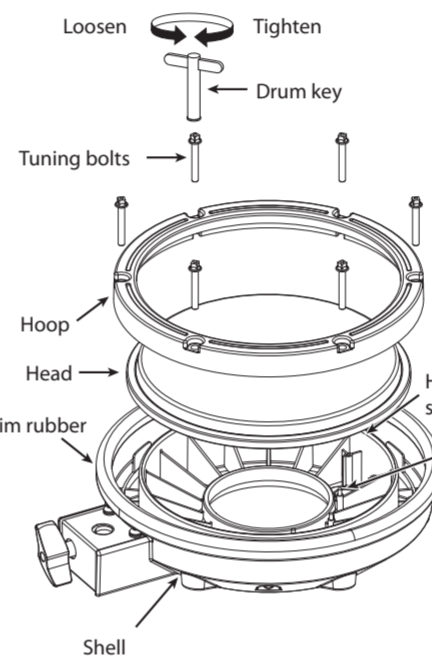
#### NOTE

- \* Be sure to adjust the head tension of the PDX-8 before use.
- \* Striking the head when the head tension is loose may damage the sensor and head.
- \* Do not apply excessive force to the sensor and cushion located under the head. Doing so can interfere with accurate detection, and may damage it.
- \* Due to the nature of the materials used in the sensor of the PDX-8, changes in room temperature may affect the sensitivity of the sensor.
- \* The rim rubber is one component that eventually wears out (depending on the number and strength of the rim shots performed), and will require replacement. Rim shots may not be performed correctly when the rim rubber is worn out. If this occurs, replace the rim rubber. Consult Roland Service for more on replacing the rim rubber.

### Head replacement procedure

The head is an expendable item that eventually will wear out and need to be replaced. Replace the head when the following occurs: Slack portions remain in the head even when the head tension is properly adjusted.

- \* To obtain replacement heads, please contact the nearest Roland Service Center or an authorized Roland distributor, as listed in "Information."



1. Remove all tuning bolts and washers.
  - \* Do not apply excessive force to the sensor and cushion located under the head. Doing so can interfere with accurate detection, and may damage it.
2. Remove the hoop.
3. Remove the old head.
4. Place the new head on the shell.
5. Place the hoop on the head.
6. Attach the tuning bolts to the hoop and shell.
7. Adjust the head tension. For details, refer to the explanation on the opposite side of this leaflet.

## USING THE UNIT SAFELY

### INSTRUCTIONS FOR THE PREVENTION OF FIRE, ELECTRIC SHOCK, OR INJURY TO PERSONS

#### About WARNING and CAUTION Notices

- WARNING** Used for instructions intended to alert the user to the risk of death or severe injury should the unit be used improperly.
- CAUTION** Used for instructions intended to alert the user to the risk of injury or material damage should the unit be used improperly.
  - \* Material damage refers to damage or other adverse effects caused with respect to the home and all its furnishings, as well as domestic animals or pets.

#### About the Symbols

- The **WARNING** symbol alerts the user to important instructions or warnings. The specific meaning of the symbol is determined by the design contained within the triangle. It is used for general cautions, warnings, or alerts to danger.
- The **CAUTION** symbol alerts the user to items that must never be carried out (are forbidden). The specific thing that must be done is indicated by the design contained within the circle. In the case of the symbol at left, it means that the unit must never be disassembled.
- The **DO NOT TOUCH** symbol alerts the user to things that must be carried out. The specific thing that must be done is indicated by the design contained within the circle. In the case of the symbol at left, it means that the power-cord plug must be unplugged from the outlet.

#### ALWAYS OBSERVE THE FOLLOWING

- WARNING** Do not open or perform any internal modifications on the unit. (The only exception would be where this manual provides specific instructions which should be followed in order to put in place user-installable options.)
- Do not attempt to repair the unit, or replace parts within it (except when this manual provides specific instructions directing you to do so). Refer all servicing to your retailer, the nearest Roland Service Center, or an authorized Roland distributor, as listed on the "Information."
- Never install the unit in any of the following locations.
  - Subject to temperature extremes (e.g., direct sunlight in an enclosed vehicle, near a heating duct, on top of heat-generating equipment); or
  - Damp (e.g., baths, washrooms, on wet floors); or are
  - Exposed to steam or smoke; or are
  - Subject to salt exposure; or are
  - Humid; or are
  - Exposed to rain; or are
  - Dusty or sandy; or are
  - Subject to high levels of vibration and shockness.
- This unit should be used only with a stand (MDS series) that is recommended by Roland.

- Try to prevent cords and cables from becoming entangled. Also, all cords and cables should be placed so they are out of the reach of children.
- Never climb on top of, nor place heavy objects on the unit.
- Always keep the following parts including with the TD-4K and small components that may be removed out of the reach of small children to avoid accidental ingestion of these parts.

- Included Parts** Clutches/Felts/Screws/Rotation stoppers
- Removable Parts** Nuts/Washers/Screws/Anchor bolts/Springs
- Do not insert hands or fingers into the locations indicated with arrows in the illustrations. Otherwise, you risk getting injured or causing damage to the product.

- When using the unit with a stand (MDS series) recommended by Roland, the stand (MDS series) must be carefully placed so it is level and sure to remain stable. If not using a stand (MDS series), you still need to make sure that any location you choose for placing the unit provides a level surface that will properly support the unit, and keep it from wobbling.

- Do not allow any objects (e.g., flammable material, coins, pins), or liquids of any kind (water, soft drinks, etc.) to penetrate the unit.
- In households with small children, an adult should provide supervision until the child is capable of following all the rules essential for the safe operation of the unit.
- Do not drop the unit.

## IMPORTANT NOTES

### Placement

- Do not expose the unit to direct sunlight, place it near devices that radiate heat, leave it inside an enclosed vehicle, or otherwise subject it to temperature extremes. Excessive heat can deform or discolor the unit.
- Do not allow rubber, vinyl, or similar materials to remain on the unit for long periods of time. Such objects can discolor or otherwise harmfully affect the finish.
- When setting up or storing this unit, be careful so the fingers used to grasp the stand don't get pinched. Also, take care that the stand does not become unbalanced and fall over or fall against you.

### Maintenance

- For everyday cleaning wipe the unit with a soft, dry cloth or one that has been slightly dampened with water. To remove stubborn dirt, use a cloth impregnated with a mild, non-abrasive detergent. Afterwards, be sure to wipe the unit thoroughly with a soft, dry cloth.
- Never use benzine, thinners, alcohol or solvents of any kind, to avoid the possibility of discoloration and/or deformation.

### Additional Precautions

- Use a reasonable amount of care when using the unit's buttons, sliders, or other controls; and when using its jacks and connectors. Rough handling can lead to malfunctions.
- When connecting / disconnecting all cables, grasp the connector itself—never pull on the cable. This way you will avoid causing stress, or damage to the cable's internal elements.
- To avoid disturbing your neighbors, try to keep the unit's volume at reasonable levels. You may prefer to use headphones, so you do not need to be concerned about those around you (especially when it is late at night).
- This instrument is designed to minimize the extraneous sounds produced when it's played. However, since sound vibrations can be transmitted through floors and walls to a greater degree than expected, take care not to allow these sounds to become a nuisance to neighbors, especially when performing at night and when using headphones.
- Some connection cables contain resistors. Do not use cables that incorporate resistors for connecting to this unit. The use of such cables can cause the sound level to be extremely low, or impossible to hear. For information on cable specifications, contact the manufacturer of the cable.
- The rubber portion of the striking surface is treated with a preservative to maintain its performance. With the passage of time, this preservative may appear on the surface as a white stain, or reveal how the pads were struck during product testing. This does not affect the performance or functionality of the product, and you may continue using it with confidence.
- Continuous playing may cause dis-coloration of the pad, but this will not affect the Pad's function.
- In the interest of product improvement, the specifications and/or appearance of this unit are subject to change without prior notice.
- Roland, V-Drums, and V-Compact are either registered trademarks or trademarks of Roland Corporation in the United States and/or other countries.

## 有关产品中所含有害物质的说明

本资料就本公司产品中所含的特定有害物质及其安全性予以说明。本资料适用于 2007 年 3 月 1 日以后本公司所制造的产品。

### 环保使用期限

此标志适用于在中国国内销售的电子产品。表示环保使用期限的年份。所谓环保使用期限是指在自制造日起的规定的年限内，产品中所含的有害物质不致引起环境污染，不会对人体、财产造成严重的不良影响。环保使用期限仅在遵照产品使用说明书，正确使用产品的条件下才有效。不当的使用，将会导致有害物质泄漏的危险。

### 产品中含有毒物质或元素名称及含量

部件名称	有毒物质或元素					
	铅(Pb)	汞(Hg)	镉(Cd)	六价铬(Cr(VI))	多溴联苯(PBB)	多溴二苯醚(PBDE)
外壳(壳体)	×	○	○	○	○	○
电子部件(印刷电路板等)	×	○	×	○	○	○
附件(电源线、交流适配器)	×	○	○	○	○	○

○: 表示该有害物质在该部件所有均质材料中的含量均在 SJ/T11363-2006 标准规定的限量要求以下。  
 ×: 表示该有害物质至少在该部件的某一均质材料中的含量超出 SJ/T11363-2006 标准规定的限量要求。  
 因根据现有的技术水平，还没有什么物质能够代替它。

## Information

When you need repair service, call your nearest Roland Service Center or authorized Roland distributor in your country as shown below.

<b>AFRICA</b>  <b>EGYPT</b> Al Fanny Trading Office 9, Elhi Hagar At Ashrafy Street. 10511 Giza, HELWAN TEL: (02) 899 9801 FAX: (02) 899 9801 <b>SINGAPORE</b> SWEET LEE MUSIC COMPANY PTE. LTD. 150 Sims Drive, SINGAPORE 307387 TEL: (65) 436-3678 <b>TAIWAN</b> ROLAND TAIWAN ENTERPRISE CO., LTD. Room 5, 9th, No. 112 Chung Shun N Road Sec 2, Taipei, TAIWAN, R.O.C. TEL: (02) 2561 3339 <b>SOUTH AFRICA</b> T.S.M.S. Sound & Music (Pty) Ltd. 2 ASTON ROAD, DURBAN JOHANNESBURG ZA 2195, SOUTH AFRICA TEL: (011) 461 3339 <b>Paul Boothe Pty Ltd.</b> Royal Cape Park, Unit 24 Lonsdale Road, Otter 7800 Cape Town, SOUTH AFRICA TEL: (021) 799 4900	<b>PHILIPPINES</b> G.A. Yapanaga & Co. Inc. 338 C/4 Pineda Avenue Makati, Metro Manila 1200, PHILIPPINES TEL: (02) 899 9801 <b>SINGAPORE</b> SWEET LEE MUSIC COMPANY PTE. LTD. 150 Sims Drive, SINGAPORE 307387 TEL: (65) 436-3678 <b>TAIWAN</b> ROLAND TAIWAN ENTERPRISE CO., LTD. Room 5, 9th, No. 112 Chung Shun N Road Sec 2, Taipei, TAIWAN, R.O.C. TEL: (02) 2561 3339 <b>THAILAND</b> Theatra Music Co., Ltd. 108 Soi Sorng Nakhomkasem, New Road, Sampran, Bangkok 10100 THAILAND TEL: (02) 224 8821 <b>CHINA</b> Roland Shanghai Electronics Co., Ltd. 5F, No. 1500 Pingliang Road Shanghai 200090, CHINA TEL: (021) 5580-0800 <b>INDONESIA</b> Parsons Music Ltd. 1463-9, Sriwijaya, 39 Chatham Road South, T.S.T. Kowloon, HONG KONG TEL: (02) 3486-8853 <b>HONG KONG</b> Tom Lee Music Co., Ltd. Service Division 23-24 Pun Shan Street, Tuen Mun, New Territories, HONG KONG TEL: (2415) 0911 <b>INDIA</b> Riviera Digitech (India) Pvt. Ltd. 111, Neram Kurubi Hariharum Road, Compound Off, Dr. Edwin Mooka Road, Mumbai-400011, INDIA TEL: (022) 2493 9051 <b>INDONESIA</b> PT Citra IntiRama Jl. Cikarang Timur No. 154 150 Jakarta Pusat INDONESIA TEL: (021) 6324170 <b>INDONESIA</b> JUAN Bands&Drums Instrumentos Musicales Cra 43 B No 25 A 41 Bodega 9 Medellin, Colombia TEL: (57) 410 2329 <b>INDONESIA</b> JUAN Bands&Drums Instrumentos Musicales Ave. 1 Calle 11, Apartado 10237, San Jose, COSTA RICA TEL: (506) 255-3263 <b>VIENTIANE</b> VIET THUM CORPORATION 386 CACH MANG THANG ST. DISTRICT 1 HO CHI MINH CITY VIETNAM TEL: 911640	<b>CURCAO</b> Zeeland Music Center Inc. Oranjestad 3P Curacao, Netherlands Antilles TEL: (099) 9999666 <b>DOMINICAN REPUBLIC</b> Instrumentos Fernando Grilard Calle Proyecto Central No.3 En La Esperanza Santo Domingo, DOMINICAN REPUBLIC TEL: (809) 683 0305 <b>ECUADOR</b> Max Musica Ruminahui 22 y Zaruma Guayaquil - Ecuador TEL: (593) 4232029 <b>EL SALVADOR</b> OMNIMUSIC 75 Avenida Norte y Final Alameda Juan Pablo Edificio No.4010 San Salvador, TEL: (504) 225 0229 <b>GUATEMALA</b> Casa Instrumental Calle de Guatemala 134-01, Zona 11 Ciudad de Guatemala TEL: (502) 599 2888 <b>HONDURAS</b> Almazon Pajaro Azul S.A. de C.V. 803 Paraiso San Pedro Sula, Honduras TEL: (504) 309 2029 <b>MARTINIQUE</b> Musique & Son Z.I. Le Grand 97322 Le Lamentin Martinique F.W.I. TEL: (596) 685 693 <b>MEXICO</b> Casa Veracruz S.A. de C.V. Av. Arroyo 2055, 333, Calle Oliver de los Padres 07800 Mexico D.F. MEXICO TEL: (55) 5668-6699 <b>NICARAGUA</b> Bambuco Instrumentos Musicales Alameda De Escazu Principio de la Farmacia Sta. Elena 1 C/da. 11 La Paz 503 Managua, NICARAGUA TEL: (505) 277 2527 <b>PANAMA</b> SUPRO MUNDIAL S.A. Roa. 11900, Panama, Panama Panama City, REP. DE PANAMA TEL: 315-0101 <b>PARAGUAY</b> Distribuidora De Instrumentos Musicales J.E. Olvera y Esq. Mburuvaya Asuncion PARAGUAY TEL: (595) 21 492147 <b>PERU</b> Audioparc Distribuciones Musicales SAC Juana Ferrnning 530 Miraflores Lima - Peru TEL: (51) 446 3388 <b>TRINIDAD</b> AME Ltd Ground Floor Martinez Plaza Barataria Trinidad W.I. TEL: (868) 638 6385 <b>URUGUAY</b> Todo Musica S.A. Francisco Acuña de Figueroa 1771 C.P. 11600 Montevideo, URUGUAY TEL: (02) 924-2335 <b>VENEZUELA</b> Instrumentos Musicales Allegro C.A. Arán industrial del Gullar Import #7 zona Industrial de Turumo Caracas, Venezuela TEL: (0212) 244 1122	<b>NORWAY</b> Roland Scandinavia A/S Kantor Norge Lilkeveien 2 Postboks 95 Lilkeveien N-2116 Oslo NORWAY TEL: (02) 924-2335 <b>POLAND</b> ROLAND POLSKA SP. Z O.O. ul. Rydy Grodzka 16B 03-209 Warszawa, POLAND TEL: (022) 678 9512 <b>PORTUGAL</b> Roland Berta, S.L. Rua do Carmo 22 y Zaruma Guayaquil - Ecuador TEL: (593) 4232029 <b>AUSTRIA</b> Roland Instrumente Musikinstrumente GmbH. Austrian Office Edwards-Bohlen-Gasse 8, A-6020 Brunnau, AUSTRIA TEL: (035) 26 43 90 <b>BEELGIUM/FRANCE/</b> <b>HOLLAND/</b> <b>LUXEMBOURG</b> Roland Central Europe N.V. Houtstraat 1, B-2260, Oevel (Westerlo) BELGIUM TEL: (03) 331 44 84 <b>CROATIA</b> ART-CENTAR Dugi Otok 3, Hrvatska, HRVATIA TEL: (31) 466 8493 <b>CZECH REP.</b> CZCEH REPUBLIC DISTRIBUTOR s.r.o. Vokrova 247/16, CZ - 180 00 PRAMA 8, CZECH REP. TEL: (02) 430 20370 <b>DENMARK</b> Roland Scandinavia A/S Nordhavnsvej 7, Postboks 880, DK-2300 Copenhagen DANMARK TEL: (045) 260220 <b>FINLAND</b> Roland Scandinavia A/S, Filial Finland Keskustie 17, PL 00010, Helsinki FINLAND TEL: (09) 629 6420 <b>GERMANY</b> Roland Elektronische Musikinstrumente GmbH. Distriktstr. 16, 22844 Nordenskiöld, GERMANY TEL: (49) 43 62 6000 <b>GREECE/CYPRUS</b> <b>STOLLAS S.A.</b> Musik Sound Light 105, New National Road, Piraeus 26442, GREECE TEL: (01) 331 44 84 <b>HUNGARY</b> Roland East Europe Ltd. 2045 Törökbálint, FSD Park, Budapest 3, HUNGARY TEL: (36) 1 511 011 <b>IRELAND</b> Roland Ireland C/O Mount Park, Clmount Avenue, Dublin 12, REPUBLIC OF IRELAND TEL: (01) 4294444 <b>ITALY</b> Roland Italy S. p. a. Viale Caltanissetta 5, 20020 Arese, Milano, ITALY TEL: (02) 937-78300 <b>JORDAN</b> MUSIQ HOUSE CO. LTD. FREEDY FOR MUSIC P.O. Box 92286 Amman 11192 JORDAN TEL: (96) 5692696 <b>KUWAIT</b> EASA HUSAIN AL-AHOUSFI & SONS CO. Branch Office Portio PO Box 16-5887 Sulaymaniyah, KUWAIT TEL: (965) 862929 <b>LEBANON</b> Chahine S.A.L. George Zaidan St., Chahine Bldg. Achrafieh, PO Box 16-5887 SULAYMANIYAH, KUWAIT TEL: (965) 862929 <b>OMAN</b> TALENT CENTRE L.L.C. Makban House No. 11, Al-Noor Street, Rawi, SALAMANAH, OMAN TEL: (247) 3443 <b>QATAR</b> Al Emadi Co. (Radio Studio & S. Street) Dorothyway ul.3 korp.6, 117 545 Moscow, RUSSIA TEL: (095) 981 4967 <b>SAUDI ARABIA</b> adAlwan Electronic APL Behind Pizza Inn Prince Turki Street adAlwan Building RDFC 2154, Alkhobar 31952 SAUDI ARABIA TEL: (013) 449 91 00 <b>SYRIA</b> Technical Light & Sound Center PO BOX 15202 BLOK No.17 ARBA, WAHDAH KANAKAWEST BAWANA DAMASCUS, SYRIA TEL: (963) 223 5884 <b>TURKEY</b> ZUMRA TICARET A.S. Calle de San Mateo No. 17 Bogotá, COLOMBIA / TURKEY TEL: (031) 249 45 10 <b>U.A.E.</b> Zak Instruments & Musical Electronics Co., L.L.C. Cable Street, Sharjah, U.A.E. TEL: (03) 330 3600 <b>UNITED KINGDOM</b> ROLAND U.K. LTD. Adamic Close, Swansea Enterprise Park, SWANSEA SARFYS TEL: (01792) 792201 <b>UNITED STATES OF AMERICA</b> Roland Canada Ltd. (Toronto Office) 4800 Woodbine Way, Richmond Hill, ON L4B 3M4 CANADA TEL: (905) 882 7927 <b>U.S.A.</b> Roland Corporation U.S.A. 5105 S. Eastern Avenue Tulsa, OK 74116 U.S.A. TEL: (313) 890 3700 <b>MIDDLE EAST</b> <b>BAHRAIN</b> Moore Stores No.121 61249 Rumaytha Building Road 3911, Manama 339 BAHRAIN TEL: (973) 311 842 <b>IRAC</b> I.M.C. No.41 Nile St., Dr. Sharyati Ave., Baghdad, IRAQ TEL: (00964) 285-4169 <b>ISRAEL</b> Harel N. Greenspoon & Sons Ltd. # Neof Hilda Hachimi St. Tel Aviv-Yafo ISRAEL TEL: (03) 6823666
--	--	--	--

## WARNING

This product contains chemicals known to cause cancer, birth defects and other reproductive harm, including lead.

## For C.A. US (Proposition 65)