

Thank you, and congratulations on your choice of the Roland CD-01A USB CD Drive.

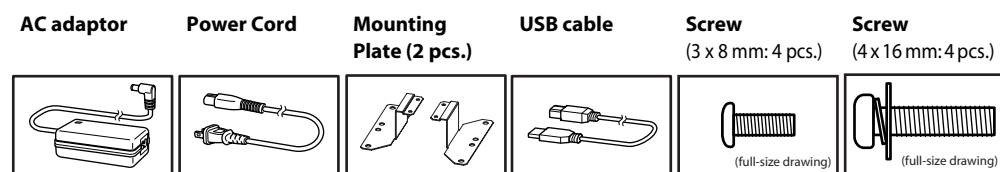
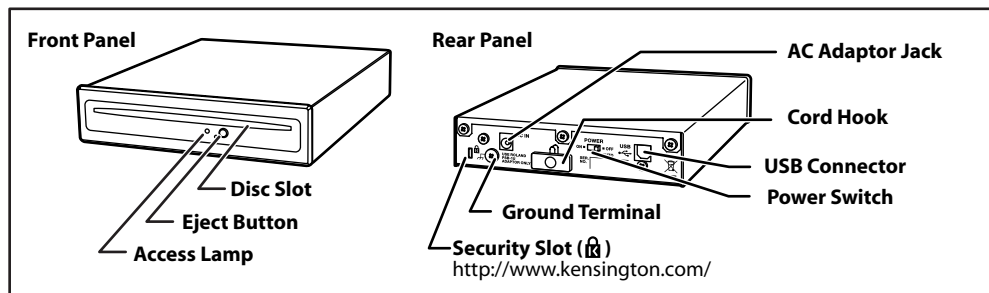
The CD-01A is a CD drive designed to be used exclusively with Roland products. It should not be used with personal computers or equipment produced by other manufacturers.

Before using this unit, carefully read the sections entitled: "USING THE UNIT SAFELY" and "IMPORTANT NOTES" (other side). These sections provide important information concerning the proper operation of the unit. Additionally, in order to feel assured that you have gained a good grasp of every feature provided by your new unit, Owner's Manual should be read in its entirety. The manual should be saved and kept on hand as a convenient reference.

Copyright © 2008 ROLAND CORPORATION
All rights reserved. No part of this publication may be reproduced in any form without the written permission of ROLAND CORPORATION.

Panel Descriptions and Contents of the Package

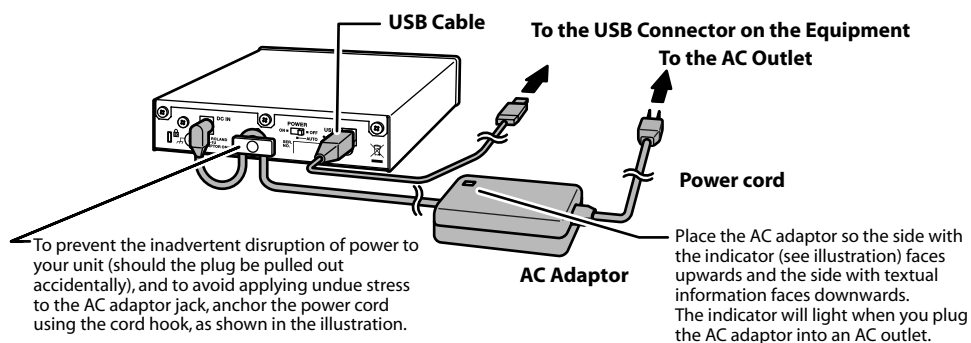
CD Drive Unit



- * Depending on the circumstances of a particular setup, you may experience a discomfiting sensation, or perceive that the surface feels gritty to the touch when you touch this device. This is due to an infinitesimal electrical charge, which is absolutely harmless. However, if you are concerned about this, connect the ground terminal (see figure) with an external ground. When the unit is grounded, a slight hum may occur, depending on the particulars of your installation. If you are unsure of the connection method, contact the nearest Roland Service Center, or an authorized Roland distributor, as listed on the "Information."
- Unsuitable places for connection
 - Water pipes (may result in shock or electrocution)
 - Gas pipes (may result in fire or explosion)
 - Telephone-line ground or lightning rod (may be dangerous in the event of lightning)

Connecting to the Equipment

- * To prevent malfunction and/or damage to speakers or other devices, always turn down the volume, and turn off the power on all devices before making any connections.
- * When connecting the CD-01A, be sure to read the connection instructions and cautions on connection in the owner's manual for the equipment to which you're connecting the CD-01A.



Switching On the Power

- * Once the connections have been completed, turn on power to your various devices in the order specified. By turning on devices in the wrong order, you risk causing malfunction devices.

1. Set the power switch to "AUTO."

2. Switch on the power to the equipment you're using.

The CD-01A is interlinked with the equipment's power, and comes on automatically when the equipment is switched on.

- * Depending on the equipment that the CD-01A is connected to, the power to it may not be switched on automatically. In such cases, manually set the CD-01A's power switch to the "ON" position.

Inserting and Ejecting Discs

When inserting a disc, make sure the CD-01A is powered up, and gently insert the disc into the disc slot. Once the disc has been inserted a certain distance, it is automatically pulled the rest of the way into the drive.

To take out the disc, press the Eject button.

- * This unit cannot use discs of nonstandard shape.
- * If pressing the Eject button fails to eject the disc, do not try using force to remove it. Instead, contact the nearest Roland Service Center, or an authorized Roland distributor, as listed on the "Information."

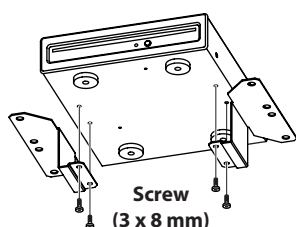
Installing on the Equipment

1. Attach the mounting plates to the drive unit.

- * Attachment requires a Phillips screwdriver. You will need to provide this yourself.

2. Install the CD-01A on the equipment.

Check the model name of the equipment you're using.



Compatible Models and Installation Locations

Compatible model name	DP-990, HPI-7S, HPI-6S, HP207, HP203, RG-3, RG-1, RK-300, AT-900, AT-900C, AT-800, AT-500, AT-300, AT-100, AT-75	FP-7
Installation location	Install on the right side. Install as described in "Installation Method A."	Install on the left side. Install as described in "Installation Method B."

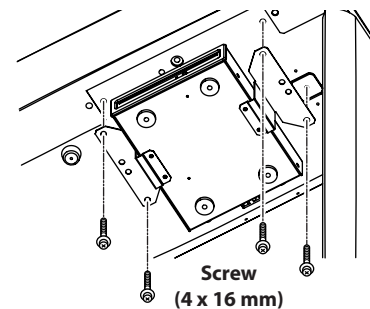
- * Installation on equipment not in the list of compatible models is not possible.
- * Above table shows compatibility as of Oct. 2008. The latest information is listed for you on our website. <http://www.roland.com/>

Installation Method A

3. Using the included screws, install the drive unit in the mounting holes (4 locations) on the underside of the equipment.

4. Connect the USB cable for the CD drive to the USB connector for CD-drive connection on the equipment.

- * Before you make the connection, be sure to read the documentation for the equipment to which you're connecting.



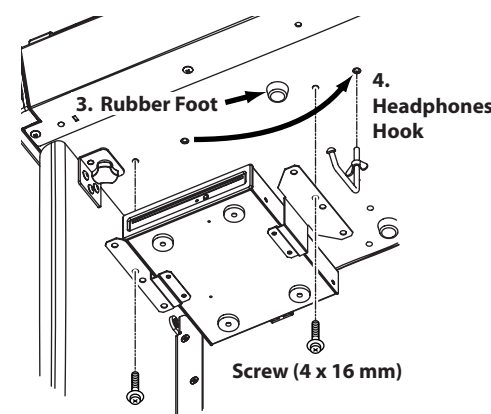
Installation Method B

3. Using a Phillips screwdriver, remove the rubber foot on the left side and toward the front on the underside of the equipment where you're installing this unit.

4. Detach the headphones hook and reattach it at the location shown in the figure.

5. Using the included screws, install the drive unit in the mounting holes (2 locations) on the underside of the equipment.

- * Carefully store the removed screws and rubber foot in a safe place out of the reach of small children, so there is no chance of them being swallowed accidentally.



6. Connect the USB cable for the CD drive to the USB connector for CD-drive connection on the equipment.

- * Before you make the connection, be sure to read the documentation for the equipment to which you're connecting.



For EU Countries
This product complies with the requirements of EMC Directive 2004/108/EC.

FEDERAL COMMUNICATIONS COMMISSION RADIO FREQUENCY INTERFERENCE STATEMENT

This equipment has been tested and found to comply with the limits for a Class B digital device, pursuant to Part 15 of the FCC Rules. These limits are designed to provide reasonable protection against harmful interference in a residential installation. This equipment generates, uses, and can radiate radio frequency energy and, if not installed and used in accordance with the instructions, may cause harmful interference to radio communications. However, there is no guarantee that interference will not occur in a particular installation. If this equipment does cause harmful interference to radio or television reception, which can be determined by turning the equipment off and on, the user is encouraged to try to correct the interference by one or more of the following measures:

- Reorient or relocate the receiving antenna.
- Increase the separation between the equipment and receiver.
- Connect the equipment into an outlet on a circuit different from that to which the receiver is connected.
- Consult the dealer or an experienced radio/TV technician for help.

This device complies with Part 15 of the FCC Rules. Operation is subject to the following two conditions:
(1) this device may not cause harmful interference, and
(2) this device must accept any interference received, including interference that may cause undesired operation.

Unauthorized changes or modification to this system can void the users authority to operate this equipment. This equipment requires shielded interface cables in order to meet FCC class B Limit.

For Canada

NOTICE

This Class B digital apparatus meets all requirements of the Canadian Interference-Causing Equipment Regulations.

AVIS

Cet appareil numérique de la classe B respecte toutes les exigences du Règlement sur le matériel brouilleur du Canada.

For C.A. US (Proposition 65)

WARNING

This product contains chemicals known to cause cancer, birth defects and other reproductive harm, including lead.

For EU Countries	SE	FI	HU	PL	CZ	SK	EE	LT	LV	DK	NO	GR
UK This symbol indicates that in EU countries, this product must be collected separately from household waste, as defined in each region. Products bearing this symbol must not be discarded together with household waste.	SE Symbolen anger att i EU-länder måste den här produkten kasseras separat från hushållsavfall, i enlighet med varje regions bestämmelser. Produkter med den här symbolen får inte kasseras tillsammans med hushållsavfall.	FI Tämä merkitä ilmaisee, että tuote on EU-maissa kerättävä erillään kotitalousjättestä kunkin alueen voimassa olevien määräysten mukaisesti. Tällä merkinnällä varustettuja tuotteita ei saa hävittää kotitalousjätteen mukana.	HU Ez a szimbólum azt jelenti, hogy az Európai Unióban ezt a terméket a háztartási hulladéktól elkülönítve, az adott régióban érvényes szabályozás szerint kell gyűjteni. Az ezzel a szimbólummal ellátott termékeket nem szabad a háztartási hulladékek közé dobni.	PL Symbol oznacza, że zgodnie z regulacjami w odpowiednim regionie, w krajach UE produktu nie należy wyrzucać z odpadami domowymi. Produktów opatrzonych tym symbolem nie można utylizować razem z odpadami domowymi.	CZ Tento symbol udává, že v zemích EU musí být tento výrobek sbíráán odděleně od domácího odpadu, jak je určeno pro každý region. Výrobky nesoucí tento symbol se nesmí vyhazovat spolu s domácím odpadem.	SK Tento symbol vyjadruje, že v krajinách EÚ sa musí zber tohto produktu vykonávať oddelene od domového odpadu, podľa nariadení platných v konkrétnej krajine. Produkty s týmto symbolom sa nesmú vyhazovať spolu s domovým odpadom.	EE See sümbol näitab, et EL-i maades tuleb see toode olemprilgi eraldi koguda, nii nagu on igas piirkonnas määratletud. Selle sümboliga märgitud tooteid ei tohi ära visata koos olmeprügiga.	LT Šis simbolis rodo, kad ES šalyse šis produktas turi būti surenkamas atskirai nuo buitinių atliekų, kaip nustatyta kiekviename regione. Šiuo simboliu paženklinoti produktai neturi būti išmetami kartu su buitiniams atliekoms.	LV Šis simbols norāda, ka ES valstīs šo produktu jāveic atsevišķi no mājainiecības atkritumiem, kā noteikts katrā reģionā. Produktus ar šo simbolu nedrīkst iemest kopā ar mājasniecības atkritumiem.	DK Dette symbol angiver, at i EU-lande skal dette produkt opsamlles adskilt fra husholdningsaffald, som defineret i hver enkelt region. Produkter med dette symbol må ikke smides ud sammen med husholdningsaffald.	NO Dette symbolet indikerer at produktet må behandles som spesialavfall i EU-land, iht. til retningslinjer for den enkelte regionen, og ikke kastes sammen med vanlig husholdningsavfall. Produkter som er merket med dette symbolet, må ikke kastes sammen med vanlig husholdningsavfall.	GR Το σύμβολο αυτό υποδηλώνει ότι στις χώρες της Ε.Ε. το συγκεκριμένο προϊόν πρέπει να συλλέγεται χωριστά από τα υπόλοιπα οικιακά απορρίμματα, σύμφωνα με τους προβλεπόμενους σε κάθε περιοχή. Τα προϊόντα που φέρουν το συγκεκριμένο σύμβολο δεν πρέπει να απορρίπτονται μαζί με τα οικιακά απορρίμματα.



USING THE UNIT SAFELY

INSTRUCTIONS FOR THE PREVENTION OF FIRE, ELECTRIC SHOCK, OR INJURY TO PERSONS

About WARNING and CAUTION Notices

	WARNING	Used for instructions intended to alert the user to the risk of death or severe injury should the unit be used improperly.
	CAUTION	Used for instructions intended to alert the user to the risk of injury or material damage should the unit be used improperly. * Material damage refers to damage or other adverse effects caused with respect to the home and all its furnishings, as well to domestic animals or pets.

About the Symbols

	The symbol alerts the user to important instructions or warnings. The specific meaning of the symbol is determined by the design contained within the triangle. In the case of the symbol at left, it is used for general cautions, warnings, or alerts to danger.
	The symbol alerts the user to items that must never be carried out (are forbidden). The specific thing that must not be done is indicated by the design contained within the circle. In the case of the symbol at left, it means that the unit must never be disassembled.
	The symbol alerts the user to things that must be carried out. The specific thing that must be done is indicated by the design contained within the circle. In the case of the symbol at left, it means that the power-cord plug must be unplugged from the outlet.

ALWAYS OBSERVE THE FOLLOWING

WARNING

- Do not open (or modify in any way) the unit or its AC adaptor.
- Do not attempt to repair the unit, or replace parts within it (except when this manual provides specific instructions directing you to do so). Refer all servicing to your retailer, the nearest Roland Service Center, or an authorized Roland distributor, as listed on the "Information."
- Never install the unit in any of the following locations.
 - Subject to temperature extremes (e.g., direct sunlight in an enclosed vehicle, near a heating duct, on top of heat-generating equipment); or are
 - Damp (e.g., baths, washrooms, on wet floors); or are
 - Exposed to steam or smoke; or are
 - Subject to salt exposure; or are
 - Humid; or are
 - Exposed to rain; or are
 - Dusty or sandy; or are
 - Subject to high levels of vibration and shakiness.

- Make sure you always have the unit placed so it is level and sure to remain stable. Never place it on stands that could wobble, or on inclined surfaces.

- Be sure to use only the AC adaptor supplied with the unit. Also, make sure the line voltage at the installation matches the input voltage specified on the AC adaptor's body. Other AC adaptors may use a different polarity, or be designed for a different voltage, so their use could result in damage, malfunction, or electric shock.

- Use only the attached power-supply cord. Also, the supplied power cord must not be used with any other device.

- Do not excessively twist or bend the power cord, nor place heavy objects on it. Doing so can damage the cord, producing severed elements and short circuits. Damaged cords are fire and shock hazards!

- Do not allow any objects (e.g., flammable material, coins, pins); or liquids of any kind (water, soft drinks, etc.) to penetrate the unit.

- Never handle the AC adaptor or its plugs with wet hands when plugging into, or unplugging from, an outlet or this unit.

- Immediately turn the power off, remove the AC adaptor from the outlet, and request servicing by your retailer, the nearest Roland Service Center, or an authorized Roland distributor, as listed on the "Information" page when:
 - The AC adaptor, the power-supply cord, or the plug has been damaged; or
 - If smoke or unusual odor occurs
 - Objects have fallen into, or liquid has been spilled onto the unit; or
 - The unit has been exposed to rain (or otherwise has become wet); or
 - The unit does not appear to operate normally or exhibits a marked change in performance.

- In households with small children, an adult should provide supervision until the child is capable of following all the rules essential for the safe operation of the unit.

- Before moving the unit, disconnect the AC adaptor and all cords coming from external devices.

- Before cleaning the unit, turn off the power and unplug the AC adaptor from the outlet.

- Whenever you suspect the possibility of lightning in your area, disconnect the AC adaptor from the outlet.

- Keep the included screws (3 x 8mm and 4 x 16mm) in a safe place out of children's reach, so there is no chance of them being swallowed accidentally.

- For China

有关产品中所含有害物质的说明

本资料就本公司产品中所含的特定有害物质及其安全性予以说明。本资料适用于 2007 年 3 月 1 日以后本公司所制造的产品。

环保使用期限



此标志适用于在中国国内销售的电子信息产品，表示环保使用期限的年限。所谓环保使用期限是指在自制造日起的规划期限内，产品中所含的有害物质不致引起环境污染，不会对人身、财产造成严重的不良影响。环保使用期限仅在遵照产品使用说明书，正确使用产品的条件下才有效。不当的使用，将会导致有害物质泄漏的危险。

产品中有毒有害物质或元素的名录及含量

部件名称	有毒有害物质或元素					
	铅(Pb)	汞(Hg)	镉(Cd)	六价铬(Cr(VI))	多溴联苯(PBB)	多溴二苯醚(PBDE)
外壳(壳体)	×	○	○	○	○	○
电子部件(印刷电路板等)	×	○	×	○	○	○
附件(电源线、交流适配器等)	×	○	○	○	○	○

○：表示该有毒有害物质在该部件所有均质材料中的含量均在 SJ/T11363-2006 标准规定的限量要求以下。
×：表示该有毒有害物质至少在该部件的某一均质材料中的含量超出 SJ/T11363-2006 标准规定的限量要求。
因根据现有的技术水平，还没有什么物质能够代替它。

IMPORTANT NOTES

Power Supply

- Do not connect this unit to same electrical outlet that is being used by an electrical appliance that is controlled by an inverter (such as a refrigerator, washing machine, microwave oven, or air conditioner), or that contains a motor. Depending on the way in which the electrical appliance is used, power supply noise may cause this unit to malfunction or may produce audible noise. If it is not practical to use a separate electrical outlet, connect a power supply noise filter between this unit and the electrical outlet.
- The AC adaptor will begin to generate heat after long hours of consecutive use. This is normal, and is not a cause for concern.
- Before connecting this unit to other devices, turn off the power to all units. This will help prevent malfunctions and/or damage to speakers or other devices.

Placement

- This device may interfere with radio and television reception. Do not use this device in the vicinity of such receivers.
- Noise may be produced if wireless communications devices, such as cell phones, are operated in the vicinity of this unit. Such noise could occur when receiving or initiating a call, or while conversing. Should you experience such problems, you should relocate such wireless devices so they are at a greater distance from this unit, or switch them off.
- Do not expose the unit to direct sunlight, place it near devices that radiate heat, leave it inside an enclosed vehicle, or otherwise subject it to temperature extremes. Excessive heat can deform or discolor the unit.
- When moved from one location to another where the temperature and/or humidity is very different, water droplets (condensation) may form inside the unit. Damage or malfunction may result if you attempt to use the unit in this condition. Therefore, before using the unit, you must allow it to stand for several hours, until the condensation has completely evaporated.

Specifications

CD-01A: USB CD Drive

Media:	CD-R/CD-RW
Power Supply:	DC 9 V(AC adaptor)
Current Draw:	650 mA
Dimensions:	144.4 (W) x 176.7 (D) x 35.2 (H) mm 5-11/16 (W) x 7 (D) x 1-7/16 (H) inches
Weight:	850 g / 1 lb. 14 oz.

Accessories: AC Adaptor (PSB-1U), Power Cord (for AC adaptor), Mounting Plate (including attachment screws), USB Cable, Owner's Manual

* In the interest of product improvement, the specifications and/or appearance of this unit are subject to change without prior notice.

Information

When you need repair service, call your nearest Roland Service Center or authorized Roland distributor in your country as shown below.

<p>AFRICA</p> <p>EGYPT Al Fanny Trading Office 9, EBN Hagar Al Askalany Street ARD El Golf, Heliopolis, Cairo 11341, EGYPT TEL: (02)-418-5531</p> <p>REUNION Maison FO - YAM Marcel 25 Rue Jules Hermain, Chaudron - BP79 97 491 Ste Clotilde Cedex, REUNION ISLAND TEL: (0262) 218-429</p> <p>SOUTH AFRICA T.O.M.S. Sound & Music (Pty) Ltd. 2 ASTRON ROAD DENVER JOHANNESBURG ZA 2195, SOUTH AFRICA TEL: (011)417 3400</p> <p>Paul Bothmer(FY) Ltd. Royal Cape Park, Unit 24 Londonderry Road, Ottery 7800 Cape Town, SOUTH AFRICA TEL: (021) 799 4900</p>	<p>PHILIPPINES G.A. Yupangco & Co. Inc. 339 Gil J. Payat Avenue Makati, Metro Manila 1200, PHILIPPINES TEL: (02) 899 9801</p> <p>SINGAPORE SWEET LEE MUSIC COMPANY PTE. LTD. 150 Sims Drive, SINGAPORE 367381 TEL: 6846-3676</p> <p>TAIWAN ROLAND TAIWAN ENTERPRISE CO., LTD. Room 5, 9th. No. 112 Chung Shan N. Road Sec.2, Taipei, TAIWAN, R.O.C. TEL: (02) 2561 3339</p> <p>THAILAND Theera Music Co., Ltd. 100-108 Soi Verg Nakornkasem, New Road, Sumpantawongse, Bangkok 10100 THAILAND TEL: (02) 224-8821</p>	<p>CURACAO Zeelandia Music Center Inc. Orionweg, 3 Curacao, Netherlands Antilles TEL: 081992666</p> <p>DOMINICAN REPUBLIC Instrumentos Fernando Giraldez Calle Proyecto Central No.3 Ens. La Esperilla Santo Domingo, Dominican Republic TEL: (809) 683 0305</p> <p>ECUADOR Mas Musica Rumichaca 822 y Zaruma Guayaquil - Ecuador TEL: (099) 4202364</p> <p>EL SALVADOR OMNI MUSIC 75 Avenida Norte y Final Alameda Juan Pablo II, Edificio No. 4010 San Salvador, EL SALVADOR TEL: 262-0788</p> <p>GUATEMALA Casa Instrumental Calzada Roosevelt 34-01, zona 11 Ciudad de Guatemala Guatemala TEL: (502) 599-2888</p> <p>HONDURAS Almaco Pajaro Anal S.A. de C.V. BO.Paz Barahona 3 Ave. 11 Calle S/O San Pedro Sula, Honduras TEL: (504) 553-2029</p> <p>MARTINIQUE Musique & Son Z.Les Mangle 97232 Le Lamantin Martinique F.W.I. TEL: 596 596 426860</p> <p>Gigamusic SARL 10 Rue De La Folie 97200 Fort De France Martinique F.W.I. TEL: 596 596 715222</p>	<p>URUGUAY Todo Musica S.A. Francisco Acuna de Figueroa 1771 C.P. 11.800 Montevideo, URUGUAY TEL: (02) 924-2335</p> <p>VENEZUELA Instrumentos Musicales Allegro C.A. Av. Las Industrias edf. Guitar import #7 zona Industrial de Turumo Caracas, Venezuela TEL: (212) 244-1122</p>	<p>NORWAY Roland Scandinavia Avd. Kontor Norge Lilleakerveien 2 Postboks 95 Lilleaker N-0216 Oslo NORWAY TEL: (02) 924-2335</p> <p>POLAND ROLAND POLSKA SP. Z O.O. UL. Gibraltaraska 4, PL-63 664 Warszawa import TEL: (022) 609 4419</p> <p>PORTUGAL Roland Iberia, S.L. Portugal Office Cais da Pedra, 8/9-1 Dto 4050-465, Porto, PORTUGAL TEL: 22 608 00 60</p> <p>ROMANIA FBS LINES Plata Libertatii 1, 533500 Gheorgheni, ROMANIA TEL: (266) 364 609</p> <p>RUSSIA MuTeK Dorozhnaya ul.3, korp.6 117 945 Moscow, RUSSIA TEL: (095) 981-4967</p> <p>SLOVAKIA DAN Acoustic s.r.o. Povazská 18, SK - 940 01 Nový Zámky TEL: (035) 4424 330</p> <p>SPAIN Roland Iberia, S.L. Paseo Garcia Faria, 33-35 08005 Barcelona SPAIN TEL: 93 493 91 00</p> <p>SWEDEN Roland Scandinavia A/S SWEDISH SALES OFFICE Danvik Center 28, 2 tr. S-131 30 Nacka SWEDEN TEL: (08) 702 00 20</p> <p>DENMARK Roland Scandinavia A/S Postboks 880, DK-2100 Copenhagen DENMARK TEL: 3916 6200</p> <p>FINLAND Roland Scandinavia As, Filial Finland Elanontie 5, FINLAND FN-01510 Vantaa, FINLAND TEL: (09) 68 24 020</p> <p>GERMANY Roland Elektronische Musikinstrumente GmbH. Oststrasse 96, 22844 Norderstedt, GERMANY TEL: (040) 52 6090</p> <p>GREECE/CYPRUS STOLLAS S.A. Music Sound Light 155, New National Road Patras 2642, GREECE TEL: (01) 4294444</p> <p>HUNGARY Roland East Europe Ltd. Warehouse Area "DEPO" P/83 H-2046 Tokobalint, HUNGARY TEL: (23) 511011</p> <p>IRELAND Roland Ireland G2 Calmount Park, Calmount Avenue, Dublin 12 Republic of IRELAND TEL: (01) 4294444</p> <p>ITALY Roland Italy S. p. a. Viale delle Industrie 8, 20020 Arese, Milano, ITALY TEL: (02) 937-78300</p>	<p>JORDAN MUSIC HOUSE CO. LTD. FREDDY FOR MUSIC P. O. Box 92286 Amman 11192 JORDAN TEL: (06) 5692696</p> <p>KUWAIT EASA HUSAIN AL-YOUSIFI & SONS CO. Al-Yousifi Service Center P.O.Box 126 (Safat) 13002 KUWAIT TEL: 06 965 802929</p> <p>LEBANON Chahine S.A.L. George Zeidan St., Chahine Bldg., Achrafieh, P.O.Box: 16-5857 Beirut, LEBANON TEL: (01) 20-1441</p> <p>OMAN TALENTZ CENTRE L.L.C. Melatan House No.1 Al Noor Street, Ruwi Sultanate of OMAN TEL: 2478 3443</p> <p>QATAR Al Emadi Co. (Badie Studio & Store) 117 945 Moscow, RUSSIA P.O. Box 62, Doha, QATAR TEL: 4423-554</p> <p>SAUDI ARABIA aDawiah Universal Electronics APL Behind Pizza Inn Prince Turkey Street aDawiah Building, PO BOX 2154, Alkhobar 31952, SAUDI ARABIA TEL: (03) 8643601</p> <p>SYRIA Technical Light & Sound Center Rawda, Abdul Qader Jazairi St. Bldg. No. 21, P.O. BOX 13320, Damascus, SYRIA TEL: (011) 223-5384</p> <p>TURKEY ZUHAL DIS TICARET A.S. Galip Dede Cad. No.37 Beyoglu - Istanbul / TURKEY TEL: (0212) 249 85 10</p> <p>U.A.E. Zak Electronics & Musical Instruments Co. L.L.C. Zabul Road, Al Sherooq Bldg., No. 14, Ground Floor, Dubai, U.A.E. TEL: (04) 3360715</p>
<p>ASIA</p> <p>CHINA Roland Shanghai Electronics Co., Ltd. Shanghai 20090, CHINA TEL: (021) 5580-0800</p> <p>Roland Shanghai Electronics Co., Ltd. (BEIJING OFFICE) 10F, No.18 3 Section Anhuaxili Chaoyang District Beijing 100011 CHINA TEL: (010) 6426-5050</p> <p>HONG KONG Tom Lee Music Co., Ltd. Service Division 22-32 Pan Shan Street, Tsuen Wan, New Territories, HONG KONG TEL: 2415 0911</p> <p>Parsons Music Ltd. 8th Floor, Railway Plaza, 39 Chatham Road South, T.S.T., Kowloon, HONG KONG TEL: 2333 1863</p> <p>INDIA Riven Digitec (India) Pvt. Ltd. 411, Nirman Kendra Mahalaxmi Flats Compound Off. Dr. Edwin Moses Road, Mumbai-400011, INDIA TEL: (022) 2495 9051</p> <p>INDONESIA PT Citra Inti Rama Jl. Cideng Timur No. 15f-150 Jakarta Pusat INDONESIA TEL: (021) 6324170</p> <p>KOREA Cosmos Corporation 1461-9, Seocho-Dong, Seocho Ku, Seoul, KOREA TEL: (02) 3486-8855</p> <p>MALAYSIA Roland Asia Pacific Sdn. Bhd. 45-1, Block C2, Jalan PJU 1/39, Dataran Prima, 47301 Petaling Jaya, Selangor, MALAYSIA TEL: (03) 7805-3263</p> <p>VIET NAM Suii Nhat Company, Ltd 370 Cach Mang Thang Tam St. Dist.3, Ho Chi Minh City, VIET NAM TEL: 9316540</p>	<p>AUSTRALIA/NEW ZEALAND</p> <p>AUSTRALIA/NEW ZEALAND Roland Corporation Australia Pty., Ltd. 28 Campbell Avenue, Dee Why West, NSW 2099 AUSTRALIA</p> <p>For Australia TEL: (02) 9982 8266 For New Zealand TEL: (09) 3098 715</p>	<p>AUSTRALIA/NEW ZEALAND</p> <p>AUSTRALIA/NEW ZEALAND Roland Corporation Australia Pty., Ltd. 28 Campbell Avenue, Dee Why West, NSW 2099 AUSTRALIA</p> <p>For Australia TEL: (02) 9982 8266 For New Zealand TEL: (09) 3098 715</p>	<p>CENTRAL/LATIN AMERICA</p> <p>ARGENTINA Instrumentos Musicales S.A. Av. Santa Fe 2055 (1123) Buenos Aires ARGENTINA TEL: (011) 4508-2700</p> <p>BARBADOS A&B Music Supplies LTD 12 Webster Industrial Park Wildey, St. Michael, Barbados TEL: (246)430-1100</p> <p>BRAZIL Roland Brasil Ltda. Rua San Jose, 780 Sala B Parque Industrial San Jose Gotua - Sao Paulo - SP, BRAZIL TEL: (011) 4615 5666</p> <p>CHILE Comercial Fancy II S.A. Rut: 96 919 420-1 Nataniel Cox #739, 4th Floor Santiago - Centro, CHILE TEL: (02) 688-9540</p> <p>COLOMBIA Centro Musical Ltda. Cra 43 B No 25 A 41 Bododega 9 Medellin, Colombia TEL: (57)413912929</p> <p>COSTA RICA JUAN Bansaeb Instrumentos Musicales Ave. L. Calle 11, Apartado 1027, San Jose, COSTA RICA TEL: 258-0211</p> <p>PERU Audioton Distribuciones Musicales SAC Juan Farming 530 Miraflores Lima - Peru TEL: (51) 4461388</p> <p>TRINIDAD AMR Ltd Ground Floor Maritime Plaza Barataria Trinidad W.I. TEL: (868) 638 6385</p>	<p>NORTH AMERICA</p> <p>CANADA Roland Canada Ltd. (Head Office) 5480 Parkwood Way Richmond B. C., V6V 2M4 CANADA TEL: (604) 270 6626</p> <p>Roland Canada Ltd. (Toronto Office) 170 Atlantic Boulevard Mississauga On L5T 2N6 CANADA TEL: (905) 362 9707</p> <p>U. S. A. Roland Corporation U.S. 5100 S. Eastern Avenue Los Angeles, CA 90040-2938, U. S. A. TEL: (323) 890 3700</p>	
<p>MIDDLE EAST</p> <p>BAHRAIN Moon Stores No.1231&1249 Rumayth Building Road 3931, Manama 339 BAHRAIN TEL: 17 813 942</p> <p>IRAN MOCO INC. No.41 Nike St., Dr.Sharyati Ave., Robergery Cerabe Minidamad Tehran, IRAN TEL: (021)-2285-4169</p> <p>ISRAEL Halilit P. Greenspoon & Sons Ltd. 8 Refiz Ha'alia Hashnia St. Tel-Aviv-Yafo ISRAEL TEL: (03) 6826666</p>	<p>For the U.K.</p> <p>IMPORTANT: THE WIRES IN THIS MAINS LEAD ARE COLOURED IN ACCORDANCE WITH THE FOLLOWING CODE.</p> <p>BLUE: NEUTRAL BROWN: LIVE</p> <p>As the colours of the wires in the mains lead of this apparatus may not correspond with the coloured markings identifying the terminals in your plug, proceed as follows: The wire which is coloured BLUE must be connected to the terminal which is marked with the letter N or coloured BLACK. The wire which is coloured BROWN must be connected to the terminal which is marked with the letter L or coloured RED. Under no circumstances must either of the above wires be connected to the earth terminal of a three pin plug.</p>				

As of Oct. 1, 2007 (ROLAND)