

## Roland Drum System V-Pro® series

# TD-20K

# Owner's Manual

Thank you, and congratulations on your choice of the TD-20K Roland Drum System.

Before using this unit, carefully read the sections entitled: "USING THE UNIT SAFELY" (p. 2) and "IMPORTANT NOTES" (p. 3). These sections provide important information concerning the proper operation of the unit. Additionally, in order to feel assured that you have gained a good grasp of every feature provided by your new unit, Owner's manual should be read in its entirety. The manual should be saved and kept on hand as a convenient reference.



### Check the Contents of the Box

- TD-20 (Percussion Sound Module) x 1
- PD-125 (V-Pad) x 3
- CY-15R (V-Cymbal Ride) x 1
- VH-12 (V-Hi-Hat) x 1
- PD-105 (V-Pad) x 2
- Tuning Key x 1
- KD-120 (V-Kick Trigger Pad) x 1
- CY-14C (V-Cymbal Crash) x 2
- TD-20K Owner's Manual (this manual)

\* The tuning key is included in the VH-12 package.

\* The TD-20 Owner's Manual is included in the TD-20 package.

\* This package does not include a kick pedal, a snare stand, and a hi-hat stand. Use with a commercially available kick pedal, snare stand, and hi-hat stand.

# USING THE UNIT SAFELY

## INSTRUCTIONS FOR THE PREVENTION OF FIRE, ELECTRIC SHOCK, OR INJURY TO PERSONS

### About ⚠ WARNING and ⚠ CAUTION Notices

<b>⚠ WARNING</b>	Used for instructions intended to alert the user to the risk of death or severe injury should the unit be used improperly.
<b>⚠ CAUTION</b>	Used for instructions intended to alert the user to the risk of injury or material damage should the unit be used improperly. * Material damage refers to damage or other adverse effects caused with respect to the home and all its furnishings, as well to domestic animals or pets.

### About the Symbols

	The ⚠ symbol alerts the user to important instructions or warnings. The specific meaning of the symbol is determined by the design contained within the triangle. In the case of the symbol at left, it is used for general cautions, warnings, or alerts to danger.
	The ⚡ symbol alerts the user to items that must never be carried out (are forbidden). The specific thing that must not be done is indicated by the design contained within the circle. In the case of the symbol at left, it means that the unit must never be disassembled.
	The ● symbol alerts the user to things that must be carried out. The specific thing that must be done is indicated by the design contained within the circle. In the case of the symbol at left, it means that the power-cord plug must be unplugged from the outlet.

### ALWAYS OBSERVE THE FOLLOWING

#### ⚠ WARNING

- Before using this unit, make sure to read the instructions below, and the Owner's Manual.
- Do not open or perform any internal modifications on the unit. (The only exception would be where this manual provides specific instructions which should be followed in order to put in place user-installable options.)
- Do not attempt to repair the unit, or replace parts within it (except when this manual provides specific instructions directing you to do so). Refer all servicing to your retailer, the nearest Roland Service Center, or an authorized Roland distributor, as listed on the "Information" page.
- Never use or store the unit in places that are:
  - Subject to temperature extremes (e.g., direct sunlight in an enclosed vehicle, near a heating duct, on top of heat-generating equipment); or are
  - Damp (e.g., baths, washrooms, on wet floors); or are
  - Humid; or are
  - Exposed to rain; or are
  - Dusty; or are
  - Subject to high levels of vibration.
- This unit should be used only with a rack or stand that is recommended by Roland.
- When using the unit with a rack or stand recommended by Roland, the rack or stand must be carefully placed so it is level and sure to remain stable. If not using a rack or stand, you still need to make sure that any location you choose for placing the unit provides a level surface that will properly support the unit, and keep it from wobbling.
- Make sure you always have the unit placed so it is level and sure to remain stable. Never place it on stands that could wobble, or on inclined surfaces.
- Do not allow any objects (e.g., flammable material, coins, pins); or liquids of any kind (water, soft drinks, etc.) to penetrate the unit.

#### ⚠ WARNING

- In households with small children, an adult should provide supervision until the child is capable of following all the rules essential for the safe operation of the unit.
- Protect the unit from strong impact. (Do not drop it!)

#### ⚠ CAUTION

- Try to prevent cords and cables from becoming entangled. Also, all cords and cables should be placed so they are out of the reach of children.
- Never climb on top of, nor place heavy objects on the unit.
- Install only the accessories or parts to the drum stand that are recommended by Roland. Remove only the specified screws during the installation.
- Should you remove screws, tuning bolts, washers, lock bushings, etc., keep them in a safe place out of children's reach, so there is no chance of them being swallowed accidentally.

# Important Notes

In addition to the items listed under “USING THE UNIT SAFELY” on page 2, please read and observe the following:

## Placement

- Do not expose the unit to direct sunlight, place it near devices that radiate heat, leave it inside an enclosed vehicle, or otherwise subject it to temperature extremes. Excessive heat can deform or discolor the unit.
- When moved from one location to another where the temperature and/or humidity is very different, water droplets (condensation) may form inside the unit. Damage or malfunction may result if you attempt to use the unit in this condition. Therefore, before using the unit, you must allow it to stand for several hours, until the condensation has completely evaporated.
- Do not allow rubber, vinyl, or similar materials to remain on the unit for long periods of time. Such objects can discolor or otherwise harmfully affect the finish.

## Maintenance

- For everyday cleaning wipe the unit with a soft, dry cloth or one that has been slightly dampened with water. To remove stubborn dirt, use a cloth impregnated with a mild, non-abrasive detergent. Afterwards, be sure to wipe the unit thoroughly with a soft, dry cloth.
- Never use benzene, thinners, alcohol or solvents of any kind, to avoid the possibility of discoloration and/or deformation.

## Additional Precautions

- Brushes (nylon) can be used for brush playing. Do NOT use metal brushes!
- Use a reasonable amount of care when using the unit’s buttons, sliders, or other controls; and when using its jacks and connectors. Rough handling can lead to malfunctions.
- When connecting / disconnecting all cables, grasp the connector itself—never pull on the cable. This way you will avoid causing shorts, or damage to the cable’s internal elements.
- To avoid disturbing your neighbors, try to keep the unit’s volume at reasonable levels. You may prefer to use headphones, so you do not need to be concerned about those around you (especially when it is late at night).
- This instrument is designed to minimize the extraneous sounds produced when it’s played. However, since sound vibrations can be transmitted through floors and walls to a greater degree than expected, take care not to allow these sounds to become a nuisance to neighbors, especially when performing at night and when using headphones.
- When you need to transport the unit, package it in the box (including padding) that it came in, if possible. Otherwise, you will need to use equivalent packaging materials.
- The rubber portion of the striking surface is treated with a preservative to maintain its performance. With the passage of time, this preservative may appear on the surface as a white stain, or reveal how the pads were struck during product testing. This does not affect the performance or functionality of the product, and you may continue using it with confidence.

## MDS-20 (Drum Stand)

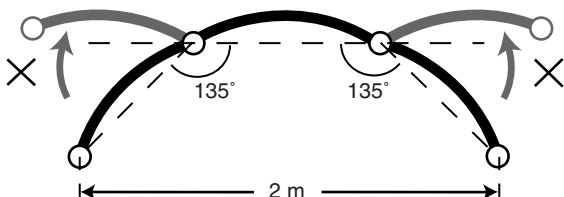
Assemble the Drum Stand.



About the Stand, refer to the MDS-20 Owner's Manual.

### Caution in Setting Up the Stand

- Do NOT open the legs of the stand more than 135 degrees. The distance between the back Right/Left end legs should NOT be more than 2 m (80 inches), otherwise, the cable (inside the Pipes) could be damaged and/or the stand could tip over.

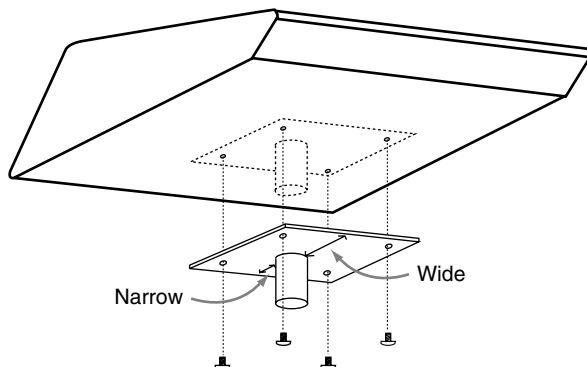


- Do NOT loosen any bolts other than Hand Knobs except when changing the parts or cables for repairing.

## TD-20 (Percussion Sound Module)

Attach the stand holder (included with the drum stand MDS-20) to the TD-20.

Using the screws attached to the bottom panel, attach the holder so the unit is oriented as shown in the diagram.



### NOTE

- To attach the stand holder, remove the four 12 mm screws (M5 x 12) from the bottom of the TD-20 and use them. Use of other screws may result in damage to the unit.
- When turning the unit upside-down, get a bunch of newspapers or magazines, and place them under the four corners or at both ends to prevent damage to the buttons and controls. Also, you should try to orient the unit so no buttons or controls get damaged.
- When turning the unit upside-down, handle with care to avoid dropping it, or allowing it to fall or tip over.

## VH-12 (V-Hi-Hat)

Mount the VH-12 on a commercially available hi-hat stand.



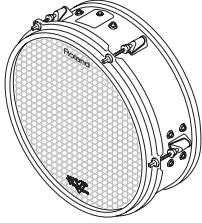
Refer to the VH-12 Owner's Manual.

After the VH-12 is connected to the TD-20 percussion sound module, the **offset** must be adjusted. For details, read the instructions in the TD-20 and VH-12 Owner's Manuals.

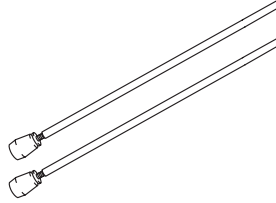
# KD-120 (V-Kick Trigger Pad)

## Contents of the Package

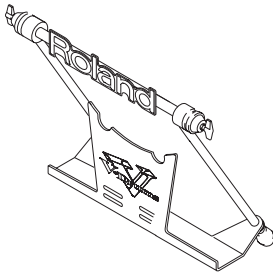
□ KD-120 Pad



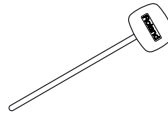
□ Leg x 2



□ Stand



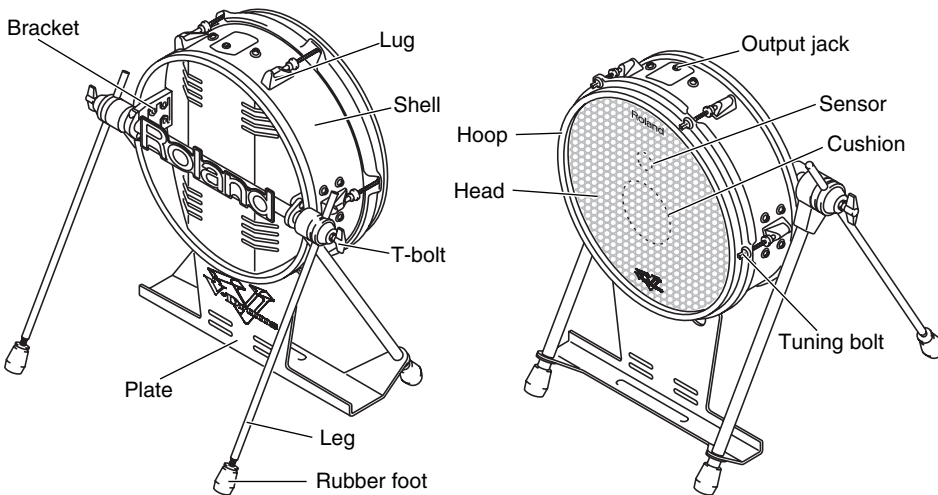
□ Beater



\* This package does not include a kick pedal. Use with a commercially available kick pedal installed on the KD-120.

\* If a felt beater is used, the felt will wear out. Use a plastic beater.

## Component (Parts) Names

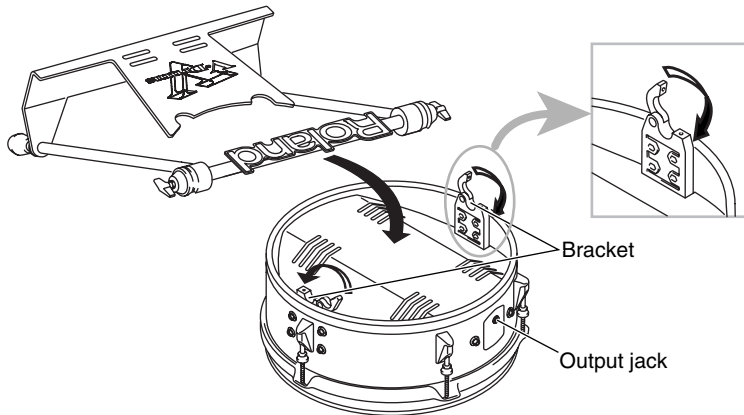


\* Due to the nature of the materials used in the sensor, changes in room temperature and humid may affect the sensitivity of the sensor.

# Setup

## Assembling the KD-120

1. Place the KD-120 pad, with the head surface facing downward, on a flat surface such as the floor.
2. Use the included tuning key to loosen and remove the bolts for the brackets on the back of the KD-120 pad.
3. Mount the stand on the brackets so that the output jack for the KD-120 pad faces up. Use the bolts you removed earlier to secure the KD-120 pad to the stand, tightening the bolts with the included tuning key.



\* Take care not to pinch your fingers between the KD-120 pad and the stand plate.

4. Adjust the ends of the legs to match the location where you're installing the KD-120. Adjust to use the spike legs when installing on carpeting or other soft surfaces, or the rubber legs when installing on flooring or other hard surfaces. When shipped from the factory, the stand is adjusted for using the rubber legs. If you're using the rubber legs, proceed to step 5 on the next page.

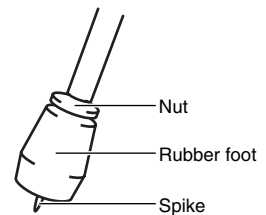
### Adjusting for the Spike Legs

1. Loosen the leg nut.
2. Turn the rubber foot to adjust so that the spike portion sticks out from the rubber foot. Adjust the length of the spike to suit the location where installing and the length you prefer.

\* The tip of the spike is sharp. Handle it with care.

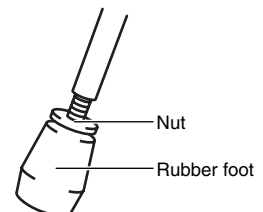
3. Tighten the nut to secure the rubber foot in place and keep it from loosening.

\* When using on flooring, the spike legs may damage the floor. Adjust to use the rubber legs.

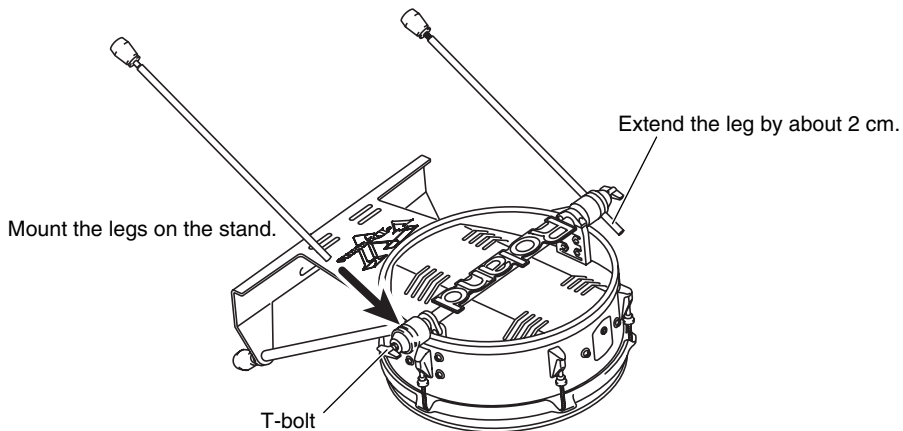


### Adjusting for the Rubber Legs

1. Loosen the leg nut.
2. Turn the rubber foot to adjust so that the spike portion does not stick out from the rubber foot.
3. Tighten the nut to secure the rubber foot in place and keep it from loosening.

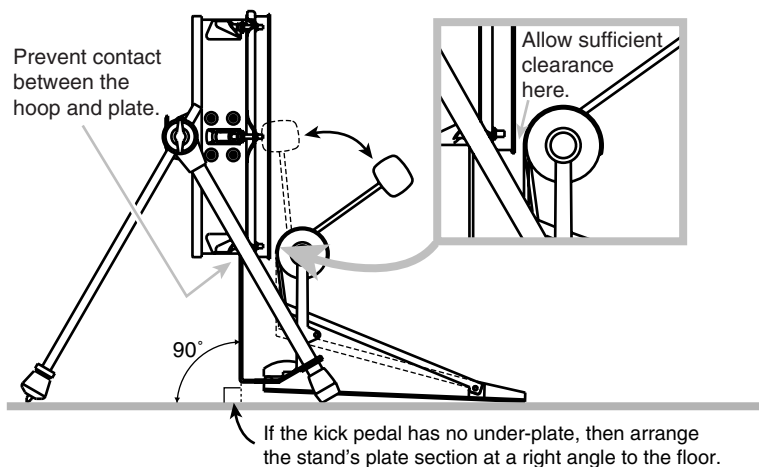


- 5. Loosen the T-bolts for the stand and mount the legs on the stand.**  
Install the legs as shown in the figure so that the ends of the legs protrude by about 2 cm.



- 6. Tighten the T-bolts to secure the legs to the stand.**
- 7. Lift the KD-120 and place the stand and the four legs upright.**
- 8. Adjust the angle of the head surface so that it's at a right angle to the floor.**  
Use the included tuning key to loosen the bracket bolts you tightened in step 3, and adjust the angle of the KD-120 pad so that the head surface is at a right angle to the floor.
- 9. Attach the included plastic beater on your kick pedal.**
- 10. Mount the kick pedal on the KD-120.**

\* Make sure there is about 1 cm of space between the two to keep the kick pedal's chain (or belt) from touching the hoop of the KD-120 pad during play. Also, if the kick pedal has no under-plate, then arrange the stand's plate section at a right angle to the floor.



- 11. Make any fine adjustments necessary and tighten the stand brackets to make sure the KD-120 is secure on the stand.**  
Make sure the KD-120's four legs and heel portion of the kick pedal is securely on the floor by loosening the stand's T-bolts and adjusting the length of the legs.

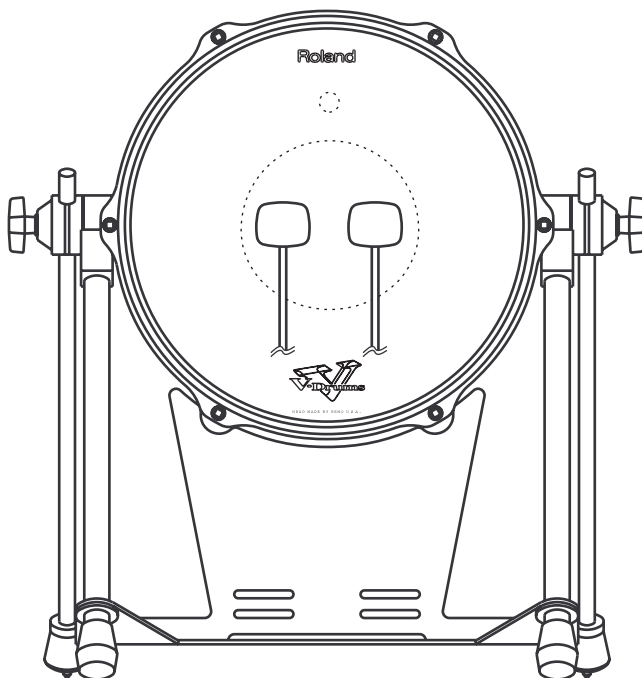
\* If the kick pedal has no under-plate, then arrange the stand's plate section at a right angle to the floor.

- 12. Adjust the striking point for the beater.**  
Normally the beater's striking point is adjusted to fall at the center of the head.  
Adjust the striking point so that it doesn't extend beyond the cushion on the back of the head. Moving the striking point closer to the sensor increases the sensitivity, so carry out fine adjustment to suit your preferences.

## When Using a Twin (Double Kick) Pedal

With the KD-120, you can also play using a twin (double kick) pedal.

Set this up so that the striking points of the two beaters fall at equal distances to the left and right of the center of the head.



\* When using a twin (double kick) pedal, as with a regular pedal, use the included beater or a plastic beater as the beater for the kick pedal.



# Head Adjustment

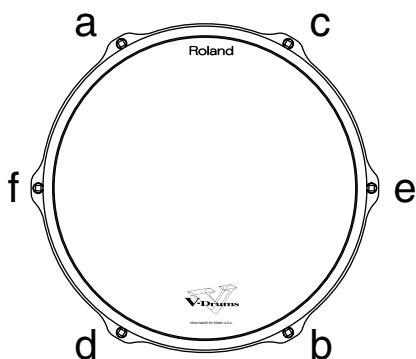
The head tension of the KD-120 can be adjusted.

## Adjusting the Head Tension

Use the included tuning key to adjust the tension.

In general, a tension that produces a strike response approximately the same as an acoustic bass drum will be appropriate.

\* *Head tension that is too loose may not only cause incorrect operation, but may even damage the sensor.*



- 1. Check the current tension of the head.**
- 2. Remove the kick pedal from the KD-120.**
- 3. Adjust bolt 'a' in the above diagram. Rotate it clockwise to tighten the head tension, or slightly counterclockwise to loosen the tension.**

\* *Fully tightening a tuning bolt at only a single location produces uneven tensioning, which may make it impossible to obtain the proper strike sensitivity and may even result in incorrect operation. Be sure to tighten each tuning bolt a little at a time, as described in the above explanation.*

- 4. Adjust bolt 'b' so that the tension is the same as the tension of 'a'.**
- 5. Next adjust 'c' and 'd', and 'e' and 'f' in the same way.**
- 6. Make sure that the head tension is even, and repeat steps 5 and 6 if you wish to make further adjustments.**

\* *On the KD-120, adjusting the head tension affects only the head response, and does not change the pitch of the sound as it would on an acoustic drum. To adjust the pitch, edit the sound parameters of the TD-20. For details refer to the TD-20 owner's manual.*

\* *The head tension will change as the instrument is used, so you should readjust when necessary.*

- 7. Mount the kick pedal on the KD-120.**

# Head Replacement

## When the head should be replaced

The head is an expendable item that eventually will wear out and need to be replaced. Replace the head when the following occurs:

- The head surface is torn
- Slack portions remain in the head even when the head tension is properly adjusted.

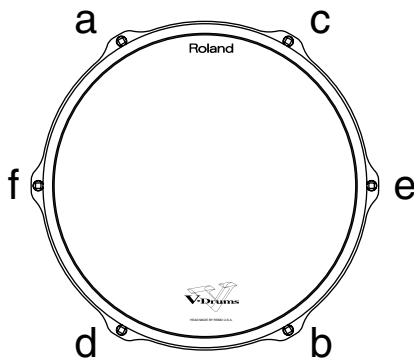
**Replacement heads (optional):** Mesh Head (MH-12)

## Replacing the Head

When replacing the head, use the included tuning key.

### NOTE

Do not apply excessive force to the sensor and cushion located under the head. Doing so can interfere with accurate detection, and may damage it.

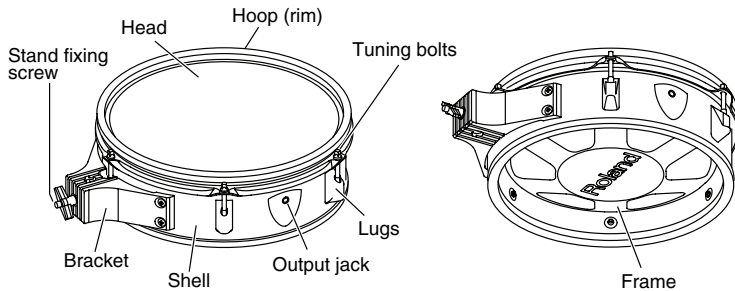


1. Remove all tuning bolts from the KD-120. Go around and gradually loosen each one in order (by turning it counterclockwise).
2. Remove the hoop.
3. Remove the old head.
4. Place the new head on the shell.
5. Place the hoop onto the head.
6. First lightly tighten bolt 'a' in the above diagram by rotating it clockwise. Then tighten bolt 'b' to about the same force.
7. Now lightly tighten 'c', and then 'd'. Tighten 'e' and 'f' in the same way.
8. Next adjust the tension of the head. Refer to "Adjusting the Head Tension" above.

\* Fully tightening a tuning bolt at only a single location produces uneven tensioning, which may make it impossible to obtain the proper strike sensitivity and may even result in incorrect operation. Be sure to tighten each tuning bolt a little at a time, as described in the above explanation.

# PD-125/PD-105 (V-Pad)

## Component (Parts) Names



The only difference between the PD-125 and the PD-105 is the diameter.

\* The figure shows the PD-125.

\* Do not apply excessive force to the sensor located below the center of the head of the unit. Doing so can interfere with accurate detection, and may damage it.

\* Due to the nature of the materials used in the sensor, changes in room temperature and humid may affect the sensitivity of the sensor.

## Setup

### Connecting to the Sound Module

Use the internal stereo cable to connect to the MDS-20 drum stand. If you use a monaural cable, rim shots cannot be played. You can play rim shots when the pad is connected to the trigger input shown below.

#### NOTE

To prevent malfunction and/or damage to speakers or other devices, always turn down the volume, and turn off the power on all devices before making any connections.

### Rim-Shot-Capable Trigger Inputs

2 (SNARE), 3-6 (TOM 1-4), 12-15 (AUX 1-4)

### Brush-Sweep-Capable Trigger Inputs

2 (SNARE)

### Mounting on a Snare Stand

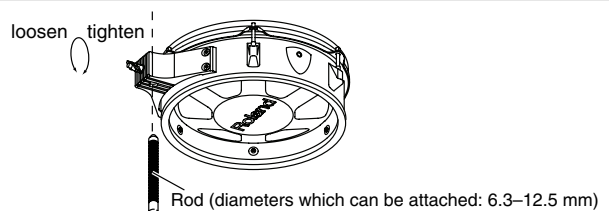
Make sure the snare drum stand you use is designed to firmly hold a 12-inch (PD-125) drum.

#### NOTE

Be sure to tighten the stand fixing screw to prevent the noise.

### Mounting on a Tom Stand

When mounting the PD-125/105 to a tom stand, verify the dimension of the rod. (6.3-12.5 mm)



# Adjusting the Head

## Adjusting the Head Tension

When adjusting, use the included tuning key.

### HINT

On the PD-125/105, adjusting the head tension affects only the head response, and not the pitch of the sound, as it would on an acoustic drum. To adjust the pitch, edit the sound parameters of the TD-20. For details refer to the owner's manual.

#### Heads **MUST BE TUNED BEFORE PLAYING.**

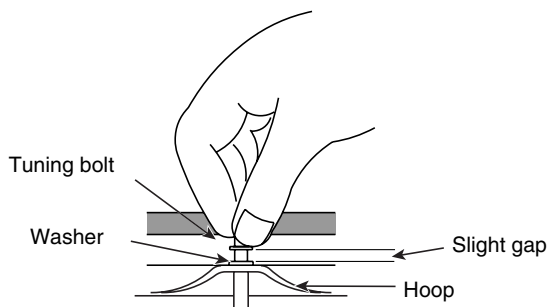
Like with an acoustic drum, accurate and equal head tension is needed for correct triggering response.

\* Head tension that is too loose may not only cause incorrect operation, but may even damage the sensor.

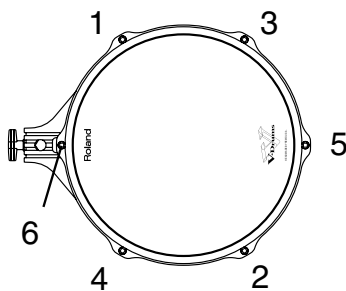
1. Loosen the tuning bolts until a slight gap is produced.
2. Tighten all tuning bolts by fingers, as tightly as you can.

### MEMO

Head tension may change over a period of time, so readjust when necessary.



3. Using the tuning key, turn the tuning bolts two full revolutions each, thus tightening them. Tighten each tuning bolt one by one, observing the numerical order shown in the figure.



# CY-15R/CY-14C (V-Cymbal Ride/Crash)

## Contents of the Package

### CY-15R (Ride)

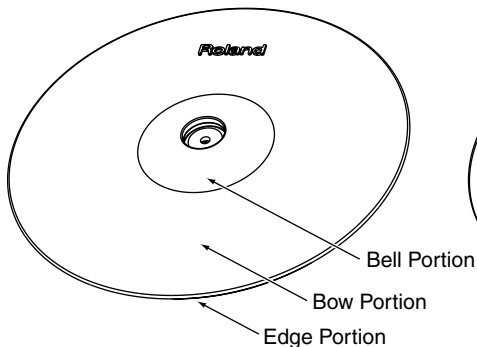
- CY-15R unit
- Wing nut
- Felt washer
- Stopper
- Cable tie

### CY-14C (Crash)

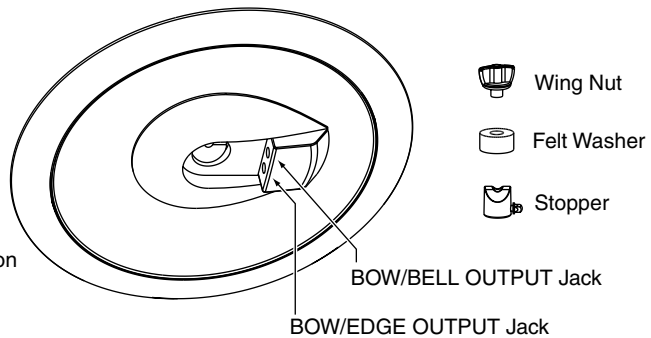
- CY-14C unit
- Wing nut
- Felt washer
- Stopper
- Cable tie

## Component (Parts) Names

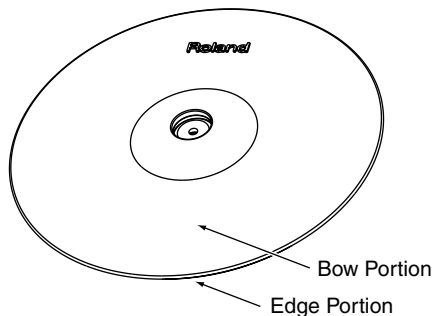
### CY-15R (Ride)



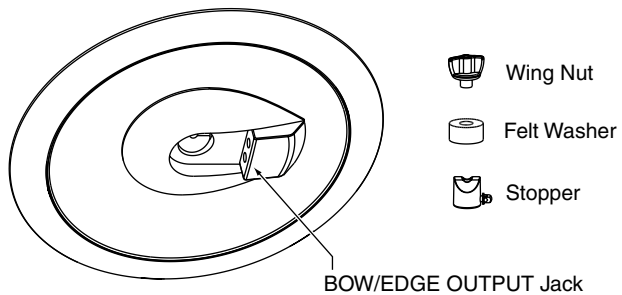
Diameter: 15 inches



### CY-14C (Crash)



Diameter: 14 inches

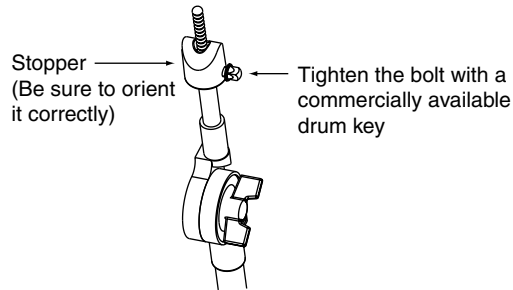


\* The CY-14C has no BOW/BELL OUTPUT Jack.

# Mounting on the Stand

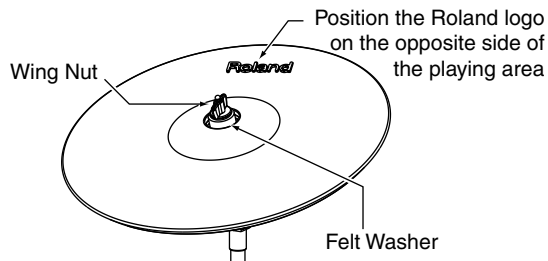
## 1. Use the included tuning key to tighten the stopper bolt.

The stopper keeps the V-Cymbal from turning, and prevents the cables from catching or getting tangled on the stand.

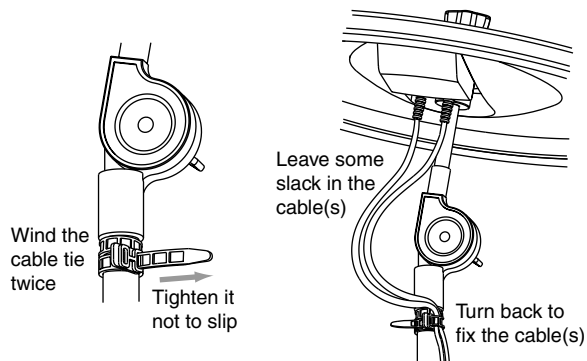


## 2. Position the Roland logo on the farther side, as viewed from the performer.

## 3. Tighten the felt washer and the wing nut to obtain the desired movement.



## 4. Secure the cables in place with the cable tie, while leaving some slack in the cables to ensure that they are not pulled by the movement of the cymbal units when struck.



\* Take care to ensure that the cables do not touch the cymbal units and/or the stand. A cable touching a cymbal unit or a stand may cause double sounding or other incorrect operation.

\* Double sounding may occur if the wing nut is loose.

\* Do NOT use the washer or felt included with the cymbal mount.

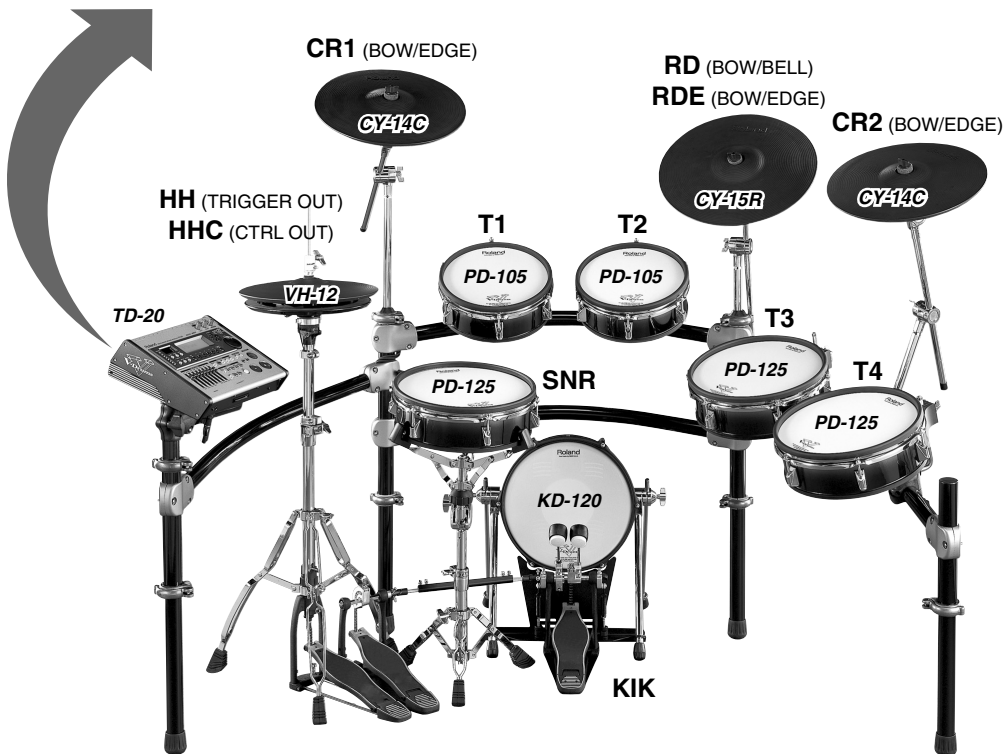
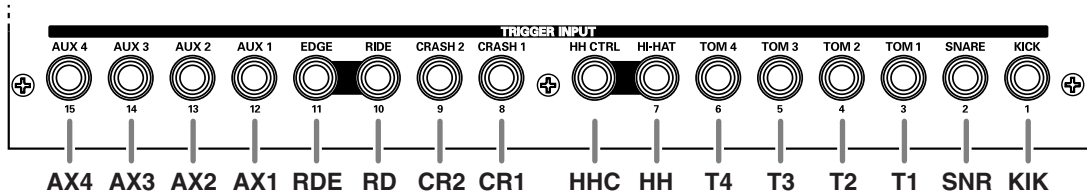
# Assemble the TD-20K

Using the built-in connection cables of the MDS-20, connect the pads, cymbals, hi-hat, kick trigger pad, and percussion sound module.

## NOTE

To prevent malfunction and/or damage to speakers or other devices, always turn down the volume, and turn off the power on all devices before making any connections.

TD-20 Rear Panel \* When connecting the cables, please refer to the marking labels that are attached to both ends of the cables.



- The HI-HAT and RIDE cymbal use two cables each.
- After the VH-12 is connected to the TD-20 percussion sound module, the offset must be adjusted.
- Use trigger inputs AUX1-AUX4 when adding new pads.

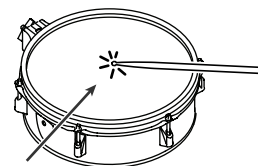
\* Do not pull or stretch the cables too tight.

# Playing Methods

## PD-125/PD-105

### Head Shots

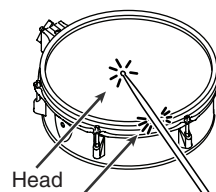
Hit only the head of the pad. With certain snare sounds, playing position will change the nuance of the sound.



Head

### Rim Shots

Strike the head and the rim of the pad simultaneously.



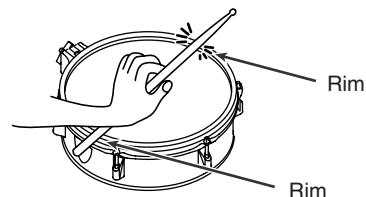
Head

Rim

### Cross Stick

Only strike the rim of the pad.

Depending on the instrument assigned to the rim you can play rim shots and/or cross stick sounds.



Rim

Rim

### NOTE

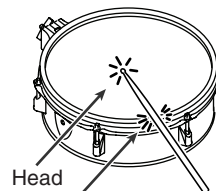
To play the cross stick, be sure that you only strike the rim of the pad. Placing your hand on the head of the pad might prevent the cross stick sound from being played properly.

## Change the Nuance of the Rim Shot

With certain snare and tom sounds, slight changes in the way you play rim shots changes the nuance.

### Normal Rim Shots (Open Rim Shots)

Strike the head and rim simultaneously.



Head

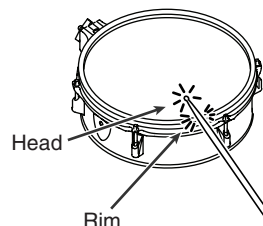
Rim

### Shallow Rim Shots

Simultaneously strike the head near the rim and the rim itself.

The same effect is produced by striking only the rim.

\* See the TD-20 owner's manual for more info about which sounds allow this.



Head

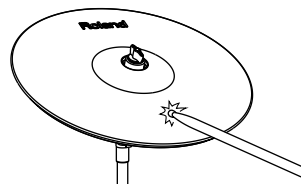
Rim



# CY-15R/CY-14C

## Bow Shot

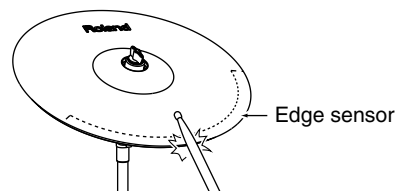
This is the most common playing method, playing the middle area of the cymbal.



## Edge Shot

This playing method involves striking the edge with the shoulder of the stick.

The sound is played when the edge sensor area is struck, as shown in the figure.

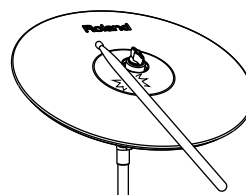


## Bell Shot (CY-15R Only)

This playing method involves striking the bell.

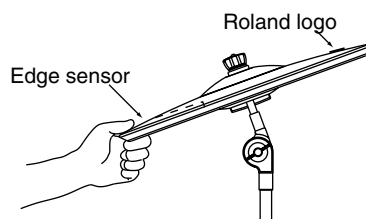
With the CY-15R, a sound is played when the bell portion is struck, as shown in the figure.

- \* *Strike the bell somewhat strongly with the shoulder of the stick.*
- \* *On the CY-14C, bell shots are not supported.*



## Choke Play

Choking (pinching) the cymbal's edge with the hand immediately after hitting the cymbal makes the sound stop. Choke the location of the edge sensor shown in the figure. If you choke an area where there is no sensor, the sound does not stop.

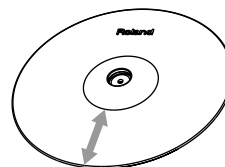


## Positional Sensing

The CY-15R is capable of sensing the point on the bow that is struck. You need to choose a cymbal tone that is compatible with positional sensing.

### NOTE

The CY-15R's sound changes when the cymbal is struck at different points only when the cymbal is connected to the RIDE trigger input.



# Specifications

## KD-120 (V-Kick Trigger Pad)

Pad Size: 12 inches  
Dimensions: 490 (W) x 400 (D) x 500 (H) mm  
19-5/16 (W) x 15-3/4 (D) x 19-11/16 (H) inches  
Weight: 7.7 kg  
17 lbs  
Accessory: Beater  
Option: Mesh Head (MH-12)

## PD-125 (V-Pad)

Pad size: 12 inches  
Triggers: 2 (Head, Rim)  
Dimensions: 330 (W) x 420 (D) x 112 (H) mm  
13 (w) x 16-9/16 (D) x 4-7/16 (H) inches  
Weight: 2.8 kg  
6 lbs 3 oz  
Option: Mesh Head (MH-12)

\* *The hoop's rubber portion is one component that eventually wears out (the more so if numerous rim shots are performed), and will require replacement. Rim shots may not be performed correctly when the rubber portion is worn out. If this occurs, replace the hoop rubber. Consult Roland Service for more on replacing the hoop rubber.*

## PD-105 (V-Pad)

Pad size: 10 inches  
Triggers: 2 (Head, Rim)  
Dimensions: 280 (W) x 360 (D) x 112 (H) mm  
11-1/16 (W) x 14-3/16 (D) x 4-7/16 (H) inches  
Weight: 2.3 kg  
5 lbs 2 oz  
Option: Mesh Head (MH-10)

\* *The hoop's rubber portion is one component that eventually wears out (the more so if numerous rim shots are performed), and will require replacement. Rim shots may not be performed correctly when the rubber portion is worn out. If this occurs, replace the hoop rubber. Consult Roland Service for more on replacing the hoop rubber.*

## CY-15R (V-Cymbal Ride)

Size: 15 inches  
Triggers: 3 (Bow/Bell/Edge)  
Connectors: BOW/BELL Output Jack,  
BOW/EDGE Output Jack  
Dimensions: 376 (W) x 376 (D) x 50 (H) mm  
14-13/16 (W) x 14-13/16 (D) x 2 (H) inches  
Weight: 1.6 kg  
3 lbs 9 oz  
Accessories: Wing Nut, Felt Washer, Stopper, Cable Tie

## CY-14C (V-Cymbal Crash)

Size: 14 inches  
Triggers: 2 (Bow/Edge)  
Connector: BOW/EDGE Output Jack  
Dimensions: 352 (W) x 352 (D) x 48 (H) mm  
13-7/8 (W) x 13-7/8 (D) x 1-15/16 (H) inches  
Weight: 1.4 kg  
3 lbs 2 oz  
Accessories: Wing Nut, Felt Washer, Stopper, Cable Tie

\* *In the interest of product improvement, the specifications and/or appearance of this unit are subject to change without prior notice.*



This product complies with the requirements of EMC Directive 2004/108/EC.

For EU Countries

For EU Countries



- UK** This symbol indicates that in EU countries, this product must be collected separately from household waste, as defined in each region. Products bearing this symbol must not be discarded together with household waste.
- DE** Dieses Symbol bedeutet, dass dieses Produkt in EU-Ländern getrennt vom Hausmüll gesammelt werden muss gemäß den regionalen Bestimmungen. Mit diesem Symbol gekennzeichnete Produkte dürfen nicht zusammen mit den Hausmüll entsorgt werden.
- FR** Ce symbole indique que dans les pays de l'Union européenne, ce produit doit être collecté séparément des ordures ménagères selon les directives en vigueur dans chacun de ces pays. Les produits portant ce symbole ne doivent pas être mis au rebut avec les ordures ménagères.
- IT** Questo simbolo indica che nei paesi della Comunità europea questo prodotto deve essere smaltito separatamente dai normali rifiuti domestici, secondo la legislazione in vigore in ciascun paese. I prodotti che riportano questo simbolo non devono essere smaltiti insieme ai rifiuti domestici. Ai sensi dell'art. 13 del D.Lgs. 25 luglio 2005 n. 151.
- ES** Este símbolo indica que en los países de la Unión Europea este producto debe recogerse aparte de los residuos domésticos, tal como está regulado en cada zona. Los productos con este símbolo no se deben depositar con los residuos domésticos.
- PT** Este símbolo indica que nos países da UE, a recolha deste produto deverá ser feita separadamente do lixo doméstico, de acordo com os regulamentos de cada região. Os produtos que apresentem este símbolo não deverão ser eliminados juntamente com o lixo doméstico.
- NL** Dit symbool geeft aan dat in landen van de EU dit product gescheiden van huishoudelijk afval moet worden aangeboden, zoals bepaald per gemeente of regio. Producten die van dit symbool zijn voorzien, mogen niet samen met huishoudelijk afval worden verwijderd.
- DK** Dette symbol angiver, at i EU-lande skal dette produkt opsamles adskilt fra husholdningsaffald, som defineret i hver enkelt region. Produkter med dette symbol må ikke smides ud sammen med husholdningsaffald.
- NO** Dette symbolet indikerer at produktet må behandles som spesialavfall i EU-land, iht. til retningslinjer for den enkelte regionen, og ikke kastes sammen med vanlig husholdningsavfall. Produkter som er merket med dette symbolet, må ikke kastes sammen med vanlig husholdningsavfall.
- SE** Symbolen anger att i EU-länder måste den här produkten kasseras separat från hushållsavfall, i enlighet med varje regions bestämmelser. Produkter med den här symbolen får inte kasseras tillsammans med hushållsavfall.
- FI** Tämä merkintä ilmaisee, että tuote on EU-maissa kerättävä erillään kotitalousjätteistä kunkin alueen voimassa olevien määräysten mukaisesti. Tällä merkinnällä varustettuja tuotteita ei saa hävittää kotitalousjätteiden mukana.
- HU** Ez a szimbólum azt jelenti, hogy az Európai Unióban ezt a terméket a háztartási hulladéktól elkülönítve, az adott régióban érvényes szabályozás szerint kell gyűjteni. Az ezzel a szimbóllummal ellátott termékeket nem szabad a háztartási hulladék közé dobni.
- PL** Symbol oznacza, że zgodnie z regulacjami w odpowiednim regionie, w krajach UE produktu nie należy wyrzucać z odpadami domowymi. Produktów opatrzonych tym symbolem nie można utylizować razem z odpadami domowymi.
- CZ** Tento symbol udává, že v zemích EU musí být tento výrobek sbírán odděleně od domácího odpadu, jak je určeno pro každý region. Výrobky nesoucí tento symbol se nesmí vyhazovat spolu s domácím odpadem.
- SK** Tento symbol vyjadruje, že v krajinách EÚ sa musí zber tohto produktu vykonávať oddelene od domového odpadu, podľa nariadení platných v konkrétnej krajine. Produkty s týmto symbolom sa nesmú vyhazovať spolu s domovým odpadom.
- EE** See sümbol näitab, et EL-i maades tuleb see toode olemprügist eraldi koguda, nii nagu on igas piirkonnas määratletud. Selle sümboliga märgitud tooteid ei tohi ära visata koos olmeprügiga.
- LT** Šis simbolis rodo, kad ES šalyse šis produktas turi būti surenkamas atskirai nuo buitinių atliekų, kaip nustatyta kiekviename regione. Šiuo simboliu paženklinoti produktai neturi būti išmetami kartu su buitinėmis atliekomis.
- LV** Šis simbols norāda, ka ES valstīs šo produktu jāievāc atsevišķi no mājsaimniecības atkritumiem, kā noteikts katrā reģionā. Produkts ar šo simbolu nedrīkst izmest kopā ar mājsaimniecības atkritumiem.
- SI** Ta simbol označuje, da je treba proizvod v državah EU zbirati ločeno od gospodinskih odpadkov, tako kot je določeno v vsaki regiji. Proizvoda s tem znakom ni dovoljeno odlagati skupaj z gospodinskimi odpadki.
- GR** Το σύμβολο αυτό υποδηλώνει ότι στις χώρες της Ε.Ε. το συγκεκριμένο προϊόν πρέπει να συλλέγεται χωριστά από τα υπόλοιπα οικιακά απορρίμματα, σύμφωνα με όσα προβλέπονται σε κάθε περιοχή. Τα προϊόντα που φέρουν το συγκεκριμένο σύμβολο δεν πρέπει να απορρίπτονται μαζί με τα οικιακά απορρίμματα.

# Information

When you need repair service, call your nearest Roland Service Center or authorized Roland distributor in your country as shown below.

## AFRICA

**EGYPT**  
Al Fanny Trading Office  
9, EBN Hagar Al Askalany  
Street,  
ARD El Golf, Heliopolis,  
Cairo 11341, EGYPT  
TEL: (022)-418-5531

## REUNION

Maison FO - YAM Marcel  
25 Rue Jules Hermann,  
Chaudron - BP79 97 491  
Ste Clotilde Cedex,  
REUNION ISLAND  
TEL: (0262) 218-429

## SOUTH AFRICA

T.O.M.S. Sound & Music  
(Pty)Ltd.  
2 ASTRON ROAD DENVER  
JOHANNESBURG ZA 2195,  
SOUTH AFRICA  
TEL: (011)417 3400

Paul Bothner(Pty)Ltd.  
Royal Cape Park, Unit 24  
Londonderry Road, Ottery 7800  
Cape Town, SOUTH AFRICA  
TEL: (021) 799 4900

## ASIA

**CHINA**  
Roland Shanghai Electronics  
Co.,Ltd.  
5F, No.1500 Pingliang Road  
Shanghai 200090, CHINA  
TEL: (021) 5580-0800

Roland Shanghai Electronics  
Co.,Ltd.  
(BEIJING OFFICE)  
10F, No.18 3 Section Anhuaxili  
Chaoyang District Beijing  
100011 CHINA  
TEL: (010) 6426-5050

## HONG KONG

Tom Lee Music Co., Ltd.  
Service Division  
22-32 Pun Shan Street, Tsuen  
Wan, New Territories,  
HONG KONG  
TEL: 2415 0911

Parsons Music Ltd.  
8th Floor, Railway Plaza, 39  
Chatham Road South, T.S.T,  
Kowloon, HONG KONG  
TEL: 2333 1863

## INDIA

Rivera Digitec (India) Pvt. Ltd.  
411, Nirman Kendra  
Mahalaxmi Flats Compound  
Off. Dr. Edwin Moses Road,  
Mumbai-400011, INDIA  
TEL: (022) 2493 9051

## INDONESIA

PT Citra IntiRama  
Jl. Cideng Timur No. 15f-150  
Jakarta Pusat  
INDONESIA  
TEL: (021) 6324170

## KOREA

Cosmos Corporation  
1461-9, Seocho-Dong,  
Seocho Ku, Seoul, KOREA  
TEL: (02) 3486-8855

## MALAYSIA

Roland Asia Pacific Sdn. Bhd.  
45-1, Block C2, Jalan PJU 1/39,  
Dataran Prima, 47301 Petaling  
Jaya, Selangor, MALAYSIA  
TEL: (03) 7805-3263

## VIET NAM

Suoi Nhac Company, Ltd  
370 Cach Mang Thang Tam St.  
Dist.3, Ho Chi Minh City,  
VIET NAM  
TEL: 9316540

## PHILIPPINES

G.A. Yupango & Co. Inc.  
339 Gil J. Puyat Avenue  
Makati, Metro Manila 1200,  
PHILIPPINES  
TEL: (02) 899 9801

## SINGAPORE

SWEET LEE MUSIC  
COMPANY PTE. LTD.  
150 Sims Drive,  
SINGAPORE 387381  
TEL: 6846-3676

## TAIWAN

ROLAND TAIWAN  
ENTERPRISE CO., LTD.  
Room 5, 9fl. No. 112 Chung  
Shan N.Road Sec.2, Taipei,  
TAIWAN, R.O.C.  
TEL: (02) 2561 3339

## THAILAND

Theera Music Co., Ltd.  
100-108 Soi Vergng  
Nakornkasem, New  
Road,Sumpantawongse,  
Bangkok 10100 THAILAND  
TEL: (02) 224-8821

## AUSTRALIA/ NEW ZEALAND

## AUSTRALIA/ NEW ZEALAND

Roland Corporation  
Australia Pty.,Ltd.  
38 Campbell Avenue  
Dee Why West. NSW 2099  
AUSTRALIA

For Australia  
Tel: (02) 9982 8266  
For New Zealand  
Tel: (09) 3098 715

## CENTRAL/LATIN AMERICA

## ARGENTINA

Instrumentos Musicales S.A.  
Av.Santa Fe 2055  
(1123) Buenos Aires  
ARGENTINA  
TEL: (011) 4508-2700

## BARBADOS

A&B Music Supplies LTD  
12 Webster Industrial Park  
Wildey, St.Michael, Barbados  
TEL: (246)430-1100

## BRAZIL

Roland Brasil Ltda.  
Rua San Jose, 780 Sala B  
Parque Industrial San Jose  
Cotia - Sao Paulo - SP, BRAZIL  
TEL: (011) 4615 5666

## CHILE

Commercial Fancy II S.A.  
Rut.: 96.919.420-1  
Nataníel Cox #739, 4th Floor  
Santiago - Centro, CHILE  
TEL: (02) 688-9540

## COLOMBIA

Centro Musical Ltda.  
Cra 43 B No 25 A 41 Bodegaa 9  
Medellin, Colombia  
TEL: (574)3812529

## COSTA RICA

JUAN Bansbach Instrumentos  
Musicales  
Ave.1. Calle 11, Apartado  
10237,  
San Jose, COSTA RICA  
TEL: 258-0211

## CURACAO

Zeelandia Music Center Inc.  
Orionweg 30  
Curacao, Netherland Antilles  
TEL:(305)5926866

## DOMINICAN REPUBLIC

Instrumentos Fernando Galvez  
Calle Proyecto Central No.3  
Ens.La Esperilla  
Santo Domingo,  
Dominican Republic  
TEL:(809) 683 0305

## ECUADOR

Mus Musika  
Rumichaca 822 y Zaruma  
Guayaquil - Ecuador  
TEL:(593-4)2302364

## EL SALVADOR

OMNI MUSIC  
75 Avenida Norte y Final  
Alameda Juan Pablo II,  
Edificio No.4010 San Salvador,  
EL SALVADOR  
TEL: 262-0788

## GUATEMALA

Casa Instrumental  
Calzada Roosevelt 34-01,zona 11  
Ciudad de Guatemala  
Guatemala  
TEL:(502) 599-2888

## HONDURAS

Almacen Pajaro Azul S.A. de C.V.  
B.O.Paz Barahona  
3 Ave.11 Calle S.O  
San Pedro Sula, Honduras  
TEL: (504) 553-2029

## MARTINIQUE

Musique & Son  
Z.L.Les Mangle  
97232 Le Lamantin  
Martinique F.W.I.  
TEL: 596 596 426860

## GIGAMUSIC SARI

10 Rte De La Folie  
97200 Fort De France  
Martinique F.W.I.  
TEL: 596 596 715222

## MEXICO

Casa Veerkamp, s.a. de c.v.  
Av. Toluca No. 323, Col. Olivar  
de los Padres 01780 Mexico  
D.F. MEXICO  
TEL: (55) 5668-6699

## NICARAGUA

Bansbach Instrumentos  
Musicales Nicaragua  
Altamira D'Este Calle Principal  
de la Farmacia Sta.Avenida  
1 Cuadra al Lago.#503  
Managua, Nicaragua  
TEL: (505)277-2557

## PANAMA

SUPRO MUNDIAL, S.A.  
Boulevard Andrews, Albrook,  
Panama City, REP. DE  
PANAMA  
TEL: 315-0101

## PARAGUAY

Distribuidora De  
Instrumentos Musicales  
J.E. Olear y ESQ. Manduvira  
Asuncion PARAGUAY  
TEL: (595) 21 492147

## PERU

Audionet  
Distribuciones Musicales SAC  
Miran Fanning 530  
Juraflor  
Lima - Peru  
TEL: (511) 4461388

## TRINIDAD

AMR Ltd  
Ground Floor  
Maritime Plaza  
Bartaria Trinidad W.I.  
TEL: (868) 638 6385

## URUGUAY

Todo Musica S.A.  
Francisco Acuna de Figueroa  
1771  
C.P.: 11.800  
Montevideo, URUGUAY  
TEL: (02) 924-2335

## VENEZUELA

Instrumentos Musicales  
Allegro,C.A.  
Av.las industrias edf.Guitar  
import  
#7 zona Industrial de Turumo  
Caracas, Venezuela  
TEL: (212) 244-1122

## EUROPE

## AUSTRIA

Roland Elektronische  
Musikinstrumente HmbH.  
Austrian Office  
Eduard-Bodem-Gasse 8,  
A-6020 Innsbruck, AUSTRIA  
TEL: (0512) 26 44 260

## BELGIUM/FRANCE/ HOLLAND/ LUXEMBOURG

Roland Central Europe N.V.  
Houtstraat 3, B-2260, Oevel  
(Westerlo) BELGIUM  
TEL: (014) 575811

## CROATIA

ART-CENTAR  
Degenova 3,  
HR - 10000 Zagreb  
TEL: (1) 466 8493

## CZECH REP.

## CZECH REPUBLIC

## DISTRIBUTOR s.r.o

Voctárova 247/16  
CZ - 180 00 PRAHA 8,  
CZECH REP.  
TEL: (2) 830 20270

## DENMARK

Roland Scandinavia A/S  
Nordhavnsvej 7, Postbox 880,  
DK-2100 Copenhagen  
DENMARK  
TEL: 3916 6200

## FINLAND

Roland Scandinavia As, Filial  
Finland  
Elannonie 5  
FIN-01510 Vantaa, FINLAND  
TEL: (09) 68 24 020

## GERMANY

Roland Elektronische  
Musikinstrumente HmbH.  
Oststrasse 96, 22844  
Norderstedt, GERMANY  
TEL: (040) 52 60090

## GREECE/CYPRUS

STOLLAS S.A.  
Music Sound Light  
155, New National Road  
Patras 26442, GREECE  
TEL: 2610 435400

## HUNGARY

Roland East Europe Ltd.  
Warehouse Area "DEPO" Pf.83  
H-2046 Torokbalint,  
HUNGARY  
TEL: (23) 511011

## IRELAND

Roland Ireland  
G2 Calmout Park, Calmout  
Avenue, Dublin 12  
Republic of IRELAND  
TEL: (01) 4294444

## ITALY

Roland Italy S. p. A.  
Viale delle Industrie 8,  
20020 Arese, Milano, ITALY  
TEL: (02) 937-78300

## NORWAY

Roland Scandinavia Avd.  
Kontor Norge  
Lilleakerveien 2 Postboks 95  
Lilleaker N-0216 Oslo  
NORWAY  
TEL: 2273 0074

## POLAND

ROLAND POLSKA SP. Z O.O.  
Ul. Gibraltarska 4,  
PL-03 664 Warszawa  
POLAND  
TEL: (022) 679 4419

## PORTUGAL

Roland Iberia, S.L.  
Portugal Office  
Cais das Pedras, 8/9-1 Dto  
4050-465, Porto, PORTUGAL  
TEL: 22 608 00 60

## ROMANIA

FBNS LINES  
Piata Libertatii 1,  
535500 Gheorgheni,  
ROMANIA  
TEL: (266) 364 609

## RUSSIA

MuTek  
Dorozhnaya ul.3,korp.6  
117 545 Moscow, RUSSIA  
TEL: (095) 981-4967

## SLOVAKIA

DAN Acoustic s.r.o.  
Povazská 18,  
SK - 940 01 Nové Zámky  
TEL: (035) 6424 330

## SPAIN

Roland Iberia, S.L.  
Paseo García Faria, 33-35  
08005 Barcelona SPAIN  
TEL: 93 493 91 00

## SWEDEN

Roland Scandinavia A/S  
SWEDISH SALES OFFICE  
Danik Center 28, 2 tr.  
S-131 30 Nacka SWEDEN  
TEL: (0)8 702 00 20

## SWITZERLAND

Roland (Switzerland) AG  
Landstrasse 5, Postfach,  
CH-4452 Ittingen,  
SWITZERLAND  
TEL: (061) 927-8383

## UKRAINE

EURHYTHMICS Ltd.  
P.O.Box: 37-a,  
Nedechy Str. 30  
UA - 89600 Mukachevo,  
UKRAINE  
TEL: (03131) 414-40

## UNITED KINGDOM

ROLAND (U.K.) Ltd.  
Atlantic Close, Swansea  
Enterprise Park, SWANSEA  
SA7 9FJ,  
UNITED KINGDOM  
TEL: (01792) 702701

## MIDDLE EAST

## BAHRAIN

Moon Stores  
No.1231&1249 Rumaytha  
Building Road 3931, Manama  
339 BAHRAIN  
TEL: 17 813 942

## IRAN

MOCO INC.  
No.41 Nike St., Dr.Shariyati Ave.,  
Roberoye Ceraseh Mirdamad  
Tehran, IRAN  
TEL: (021)-2285-4169

## ISRAEL

Halilit P. Greenspoon & Sons  
Ltd.  
8 Retziy Ha'alia Hashnia St.  
Tel-Aviv-Yafo ISRAEL  
TEL: (03) 6823666

## JORDAN

MUSIC HOUSE CO. LTD.  
FREDDY FOR MUSIC  
P.O. Box 922846  
Amman 11192 JORDAN  
TEL: (06) 5692696

## KUWAIT

EASA HUSAIN AL-YOUSIFI  
& SONS CO.  
Al-Yousifi Service Center  
P.O.Box 126 (Safat) 13002  
KUWAIT  
TEL: 00 965 802929

## LEBANON

Chahine S.A.L.  
George Zeidan St., Chahine  
Bldg., Achrafieh, P.O.Box 16-  
5857  
Beirut, LEBANON  
TEL: (01) 20-1441

## OMAN

TALENTZ CENTRE L.L.C.  
Malatan House No.1  
Al Noor Street, Ruwi  
SULTANATE OF OMAN  
TEL: 2478 3443

## QATAR

Al Emadi Co. (Badie Studio &  
Stores)  
P.O. Box 62, Doha, QATAR  
TEL: 4423-554

## SAUDI ARABIA

aDawlah Industrial  
Electronics APN  
Behind Pizza Inn  
Prince Turkey Street  
aDawlah Building,  
PO BOX 2154,  
Alkhubair 31952  
SAUDI ARABIA  
TEL: (03) 8643601

## SYRIA

Technical Light & Sound  
Center  
Rawda, Abdul Qader Jaziri St.  
Bldg. No. 21, P.O.BOX 13520,  
Damascus, SYRIA  
TEL: (011) 223-5384

## TURKEY

ZUHAL DIS TICARET A.S.  
Galip Dede Cad. No.37  
Beyoglu - Istanbul / TURKEY  
TEL: (0212) 249 85 10

## U.A.E.

Zak Electronics & Musical  
Instruments Co. L.L.C.  
Zabeel Road, Al Sherooq Bldg.,  
No. 14, Ground Floor, Dubai,  
U.A.E.  
TEL: (04) 3360715

## NORTH AMERICA

## CANADA

Roland Canada Ltd.  
(Head Office)  
5480 Parkwood Way  
Richmond B. C., V6V 2M4  
CANADA  
TEL: (604) 270 6626

## Roland Canada Ltd.

(Toronto Office)  
170 Admiral Boulevard  
Mississauga On L5T 2N6  
CANADA  
TEL: (905) 362 9707

## U. S. A.

Roland Corporation U.S.  
5100 S. Eastern Avenue  
Los Angeles, CA 90040-2938,  
U. S. A.  
TEL: (323) 890 3700

As of Oct. 1, 2007 (ROLAND)

